



YIZUMI 伊之密

WE WALK ALONGSIDE THE WORLD

Stock Code: 300415

YIZUMI
GERMANY 

INNOVATIONS ALONGSIDE THE WORLD

Yizumi Company Presentation

Yizumi Company Presentation

Agenda

- About Us
- Products
- Innovation
- Service
- Yizumi Germany GmbH



- About Us
- Products
- Innovation
- Service
- Yizumi Germany GmbH

About Us

YIZUMI Precision Machinery Co., Ltd. was founded in 2002 in Guangdong province, China. YIZUMI is an international player focused on plastics processing and die casting. We offer complete solutions and carry out R&D, project development, production, sales and service.

About Us

Numbers

260
Million
Euro turnover

21.25 %
2017 annual
turnover growth

11 Million
Euro R&D
investment in
2017

300.000 m²
production area

180+
technical patents
and over 100
awards

200+
R&D Engineers

60+
Subsidiaries in
over 60
countries around
the globe

50+
product lines

2500+
employees

About Us

Strengths

Goal

We produce machines on an international high class level made in China. This combination assures a fast return of investment for customers all over the globe.

Mission

We strive to become technology leader in all our fields.

Vision

We have a vision. Efficient processes, efficient management and an outstanding company culture.

About Us

3-Year Development Goals (2018-2020)

Goal

Become the value for money champion in all our fields.

Product and Globalization Strategy

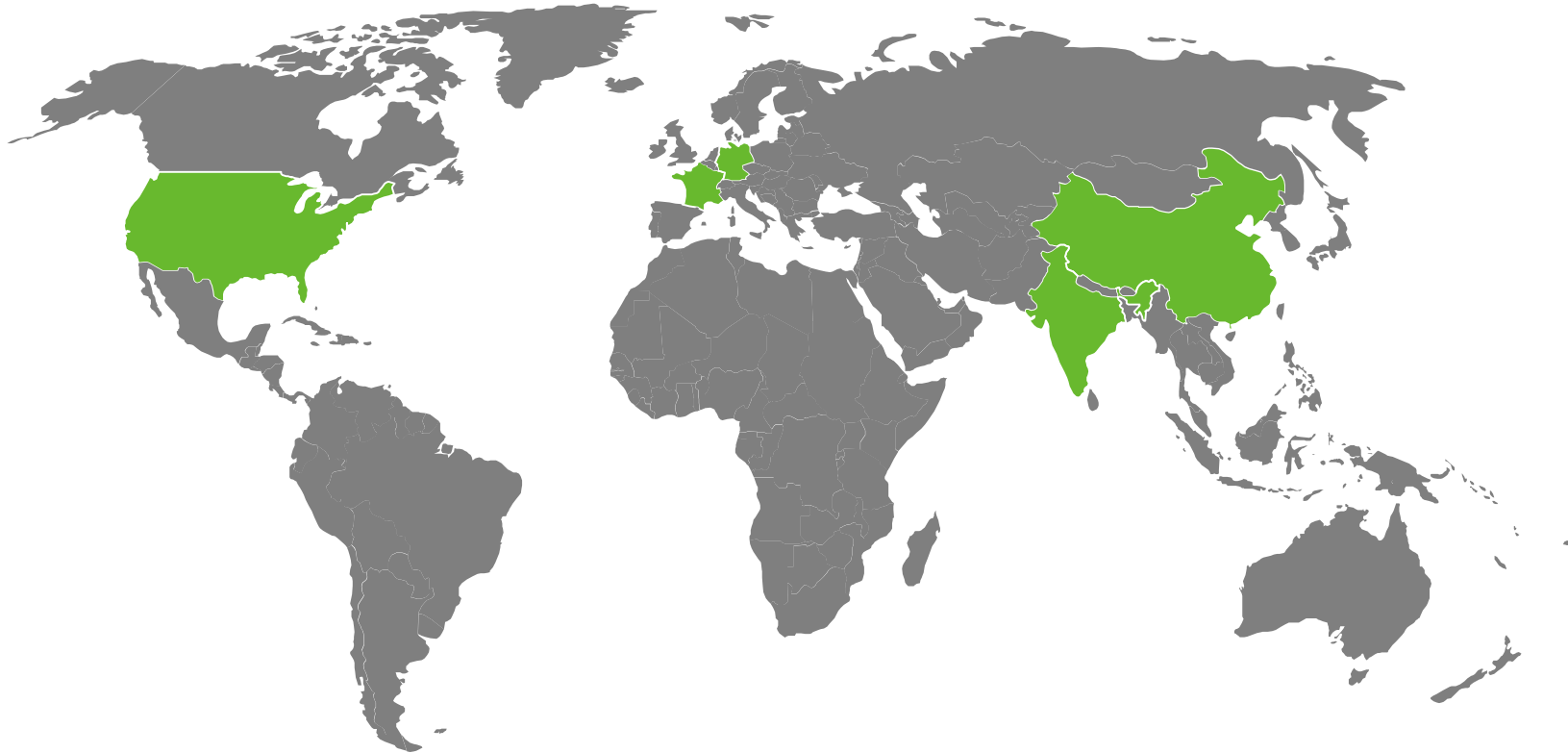
Become technology leader with our R&D centre in Aachen, Germany.

Process Strategy

Throughout our R&D endeavours we always bare the costs in mind to ensure cost efficient machines and systems.

About Us

World Wide Locations



China
Gaoli 80,000 m²
Wusha 81,117 m²
Wujiang 33,213 m²

India
Ahmedabad, Gujarat 4,500 m²

USA
Iberia, Ohio 28,327 m²

Germany
R&D centre at the RWTH Aachen University

France
Spare part warehouse

About Us

History



- 2017** Yizumi India starts production. Yizumi founds R&D centre in Aachen, Germany.
- 2016** Yizumi founds subsidiary in India. Yizumi mould production (Yiming) starts production.
- 2015** YIZUMI is China's first injection moulding machine manufacturer to be listed at ChiNext. (Stock code: 300415)
- 2014** Factories in Wusha and Wujiang start production. Automation department is introduced.
- 2013** High-speed Packaging systems are introduced.
- 2011** YIZUMI buys the rights for the company HPM.
- 2009** Rubber machines are introduced.
- 2004** Die-casting machines are introduced.
- 2002** YIZUMI is founded.

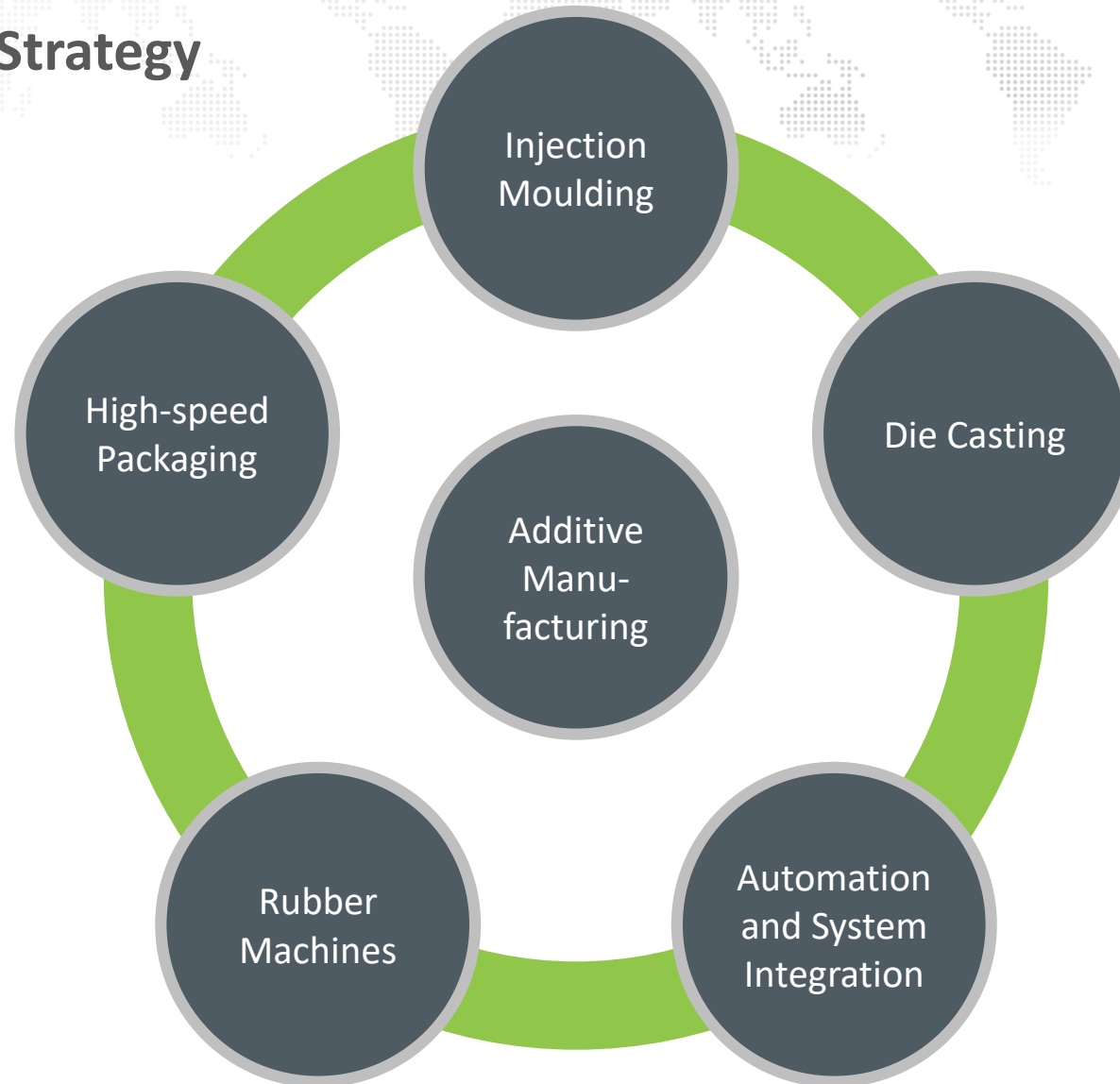
- About Us
- **Products**
- Innovation
- Service
- Yizumi Germany GmbH

Products

YIZUMI offers individual and customer specific systems for all its divisions. These include machines with peripheral equipment, automation and technical support.

Products

Product Development Strategy



Products

Injection Moulding



Status

#2 in China

Product Line

11 product lines +
Automation

Applications

Automotive
White Goods
Packaging
Medical
Multi Component

Products

Injection Moulding



DP: 500 t - 4000 t

- Modern 2-Platen machine
- Servo hydraulics
- Vast option catalogue
- Value for money champion
- Parallel movements standard

A5: 30 t - 700 t

- High quality
- Servo hydraulics
- Vast option catalogue
- Extremely reliable
- Short ROI

FE: 60 t-260 t

- Fully electric
- Extremely precise
- High injection performance
- High-Tech

Products

DP Line



Precision Injection Unit
Via proportional control

FEM Optimized Platen
Platen deflection < 0.1 mm

Energy Efficiency
Servo-hydraulics standard

Compact machine design
Small footprint

Platen Ejector Standard

Ergonomic KEBA Control
21" Multitouch Display

Mould Protection
0.3 mm accuracy at max speed

Products

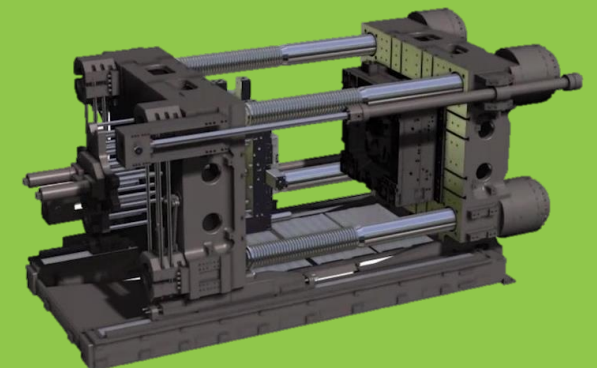
DP Clamping Unit



High Speed Moving Cylinder
Up to 1,490 mm/sec

Proportional Valves
Precision control

Fast Closing Pressure Build-Up
Under 0.4 sec to maximum
clamping force



Products

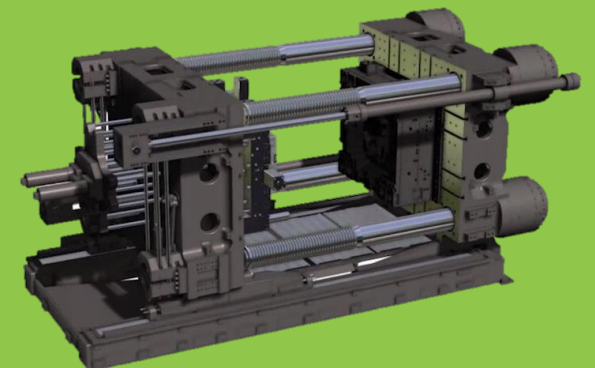
DP Clamping Unit



Parallel Movements Standard
Mould/ejector/core pull

Long Sliding Shoe
Supports heavy moulds.
Adjustable

Locking Transmission
Under 0.25 sec



Products

DP Injection Unit



Double-Parallel-Cylinder

Linear Guides

Ceramic Heater Bands

Barrier Screw Standard



Products

Die Casting



Status

#2 worldwide
#1 in China

Product Line

9 product lines

Applications

Automotive
Aviation
Consumer goods

Products

Rubber Machines



Status

#2 in China

Product Line

6 product lines

Applications

Automotive
Electronics

Products

High Speed Packaging



Status

System supplier

Product Line

5 product lines

Applications

Thin wall packaging

Medical

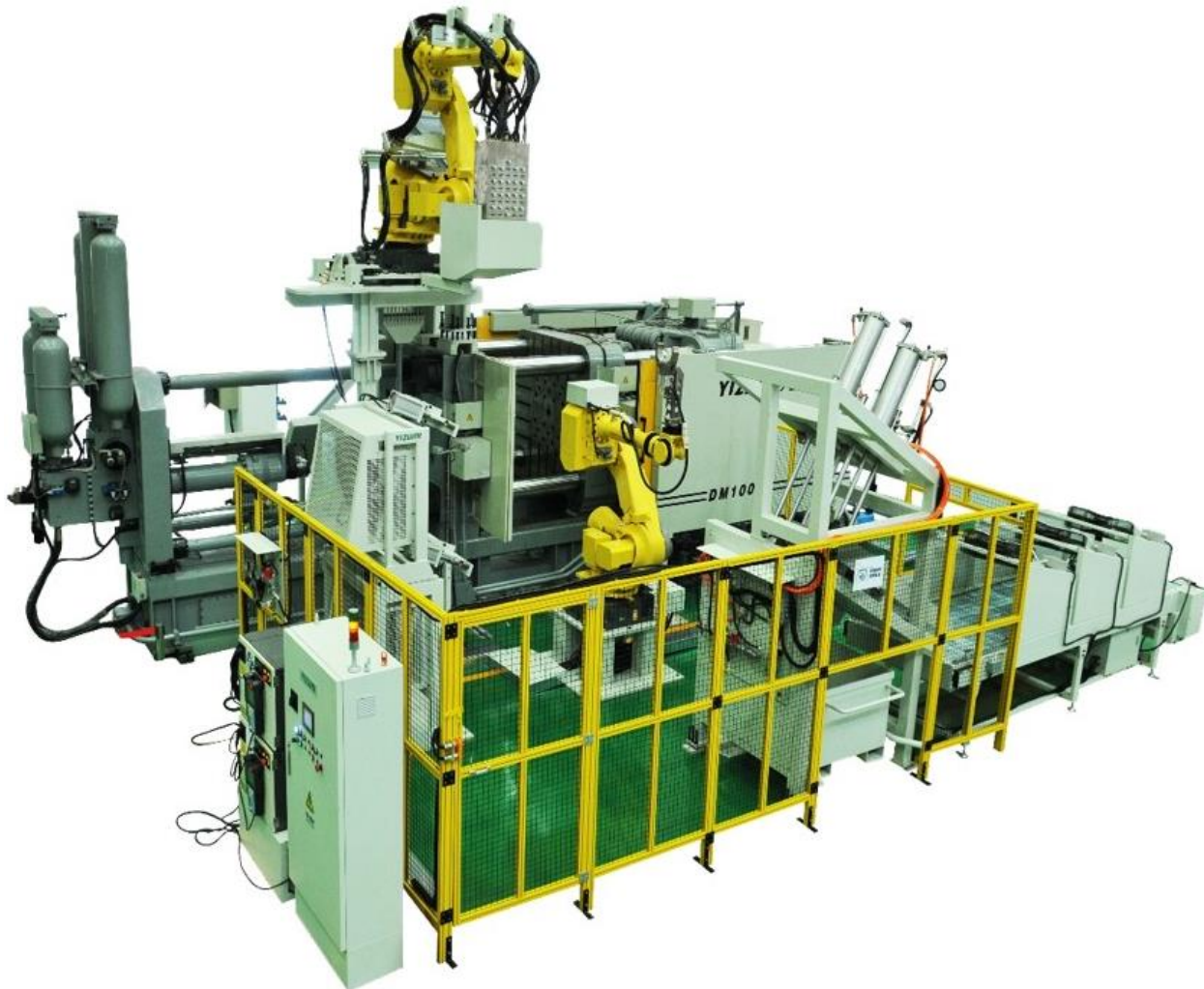
PET preform

BOPP preform

Caps and closures

Products

Automation Systems



Status

Market leader for die casting
Injection moulding

Product Line

Standard “pick and place”
Customer specific
Systems including moulds

Applications

Automotive
Medical
Packaging
White goods
Consumer goods

Products

Additive Manufacturing



Status

Presented fully functional cell
at trade fair

Product Line

Fully automated additive
manufacturing cell

Applications

Big prototypes
Customized parts

Products

Thixomolding



Status

Bought US American based company HPM in 2011

Product Line

4 Product Lines

Applications

Laptop case
Battery housing

Products

Partners

Automotive

White Goods



比亚迪汽车
BYD AUTO



Products

Partners

Multi Component

Construction

FOXCONN®



SIEMENS

RVC 雷士照明

OPPLE 欧普照明



ABB Power and productivity for a better world™



NAWA PLASTIC

Products

Partners

Medical

Energy

Packaging



- About Us
- Products
- **Innovation**
- Service
- Yizumi Germany GmbH

Innovation

Future growth goes hand in hand with innovative concepts and positive experiences with customers. This ensures innovative solutions which are cost efficient in both production and usage.



YIZUMI Global Innovation Centre

The construction of a global innovation centre started in late 2017 with an investment volume of 25 million Euros.



Environmental Plastics Innovation Centre

YIZUMI invested in the innovation centre Prince & Weiss Environmental Plastics in Belgium.



YIZUMI Germany R&D Centre

The YIZUMI Germany R&D centre was founded on the RWTH Aachen University campus. YIZUMI enjoys an active collaboration with the IKV und the AZL.

Innovation Investment

160+ Patents

200+ R&D Experts

Over 10 million Euro
R&D investment in 2016

Dr.-Ing. Hans Wobbe

Dr. Wobbe has over 30 years experience in the plastics machinery industry. He was CTO of ENGEL und Technical Director of KraussMaffei. He joined YIZUMI as Chief Strategy Officer and is responsible for the product development and globalization strategy of YIZUMI.



- About Us
- Products
- Innovation
- **Service**
- Yizumi Germany GmbH

YFO Service

YIZUMI introduced the YFO (YIZUMI Factory Outlet) Model. This concept guarantees fast response times. The service processes are always transparent. However, it is of great importance for us to produce machines that require low maintenance. In case of an emergency we offer spare parts at a fair price.

YFO Service Premium Service

5000 m²

The spare part warehouse has a total floor space of 5000 m² with 53 warehouses in China und 14 in other countries

10+

Half of our service technicians have over 10 years experience

113

YFO is active in 76 regions in China und 37 in other countries

24/7

24 h Service Hotline



- About Us
- Products
- Innovation
- Service
- **Yizumi Germany GmbH**

Corporate Culture

While the growth is increasing, YIZUMI remembers its social responsibilities and obligations as an employer.

Social activities.

Focus on employees' wellbeing and health.

Happy employees are our capital.

Yizumi Germany GmbH

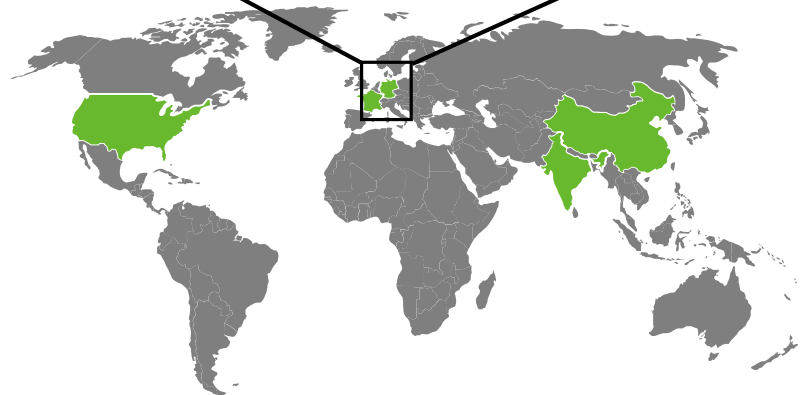
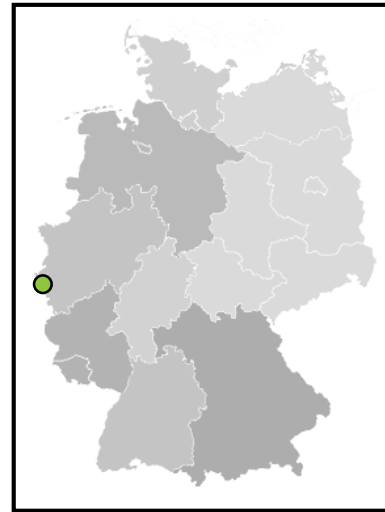
Location and Employees

At the Production Cluster at the Campus Melaten of the Rheinisch-Westfälischen Technischen Hochschule (RWTH) in Aachen



RWTH Aachen University:

Students: 45,256 students
Chairs: 564
Employees: 8,500
Turnover: 998.5 Million Euro



Location

Campus Boulevard 30
52074 Aachen

Employees

Number: 20

5 Development Engineers
3 Sales Engineers

4 Technical Employees
2 Accounting Manager
6 Student Worker

Goals

- European quality standards
- Development of innovative and smart production approaches
- Combining German Innovation Power with Chinese scale of economy production



Connecting two Worlds

**Science – Economy
Germany - China**

Departments

- Special Injection Moulding Technologies
- Thixomoulding & Multi-Material Design
- Additive Manufacturing
- Sales

Development



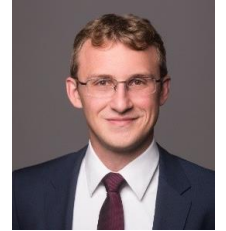
**Benjamin
Weßling**

Special Injection Moulding
Technologies
00 49 241 412 523 40



**Philipp
Ochotta**

Thixomoulding &
Multi Material Design
00 49 241 412 523 30



**Nicolai
Lammert**

Additive
Manufacturing
00 49 241 412 523 20

Sales



**Ümüt
Topbac**

Sales Director
North Europe
00 49 157 805146 44



**Robert
Weber**

Sales Director
South Europe
00 49 157 805146 45



YIZUMI 伊之密

WE WALK ALONGSIDE THE WORLD

Stock Code: 300415

YIZUMI
GERMANY 

INNOVATIONS ALONGSIDE THE WORLD

THANK YOU