



280, Industrial Area, Phase-I, Chandigarh (INDIA)
Tel: +91 172 2655893, Fax: +91 172 2642368

info@srijanexports.com
www.srijanexports.com

FACEBOOK fb.me/srijanexports
LINKEDIN linkedin.com/company/srijan-exports/
SKYPE srijanexports



SrijanExports

MANUFACTURER OF QUALITY BRASSWARE

BATHROOM ACCESSORIES



Handcrafted to perfection by skilled craftsmen using the very best of material and expertise.



SrijanExports

Sleek, stylish and sophisticated - these three words best describe what we are about to present to you. We like to call them our works of art! Painstakingly put together by hand by skilled craftsmen using the very best of materials and expertise, it's our unmatched range of both traditional and contemporary bathroom **brasswares**. The fine lines, the impeccable styling coupled with energy efficient features is what makes our collection much sought after.

Looks apart, it's the insides of our products that we don't shy from boasting about. Built to match the most rigorous standards using high quality raw materials, the collection is environment-conscious and pocket-friendly as well. Whatever is the interior style of your bathroom, we are confident that our staggering range of sizes and styles will floor you. Go on then, make your selection and leave the rest to us.

bathroom accessories

BATHROOM KITS



CONSTANTA



SE05117



SE05137



SE06138



SE05157



SE06188



SE06198



SE06158



SE06238



SE05277



BACĂU

SE07228



SE07278



SE07158



SE07188



SE07138



SE07168



SE07238





RETRO

SE10213



SE10153



SE10113



SE10183



SE10273



SE10133



bathroom accessories

SHOWER CADDIES & BASKETS

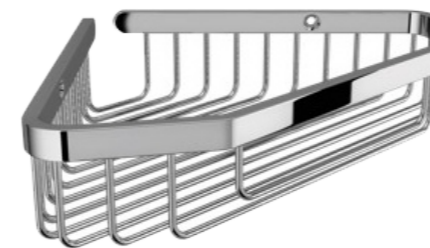


ALEXANDRIA

SE04158



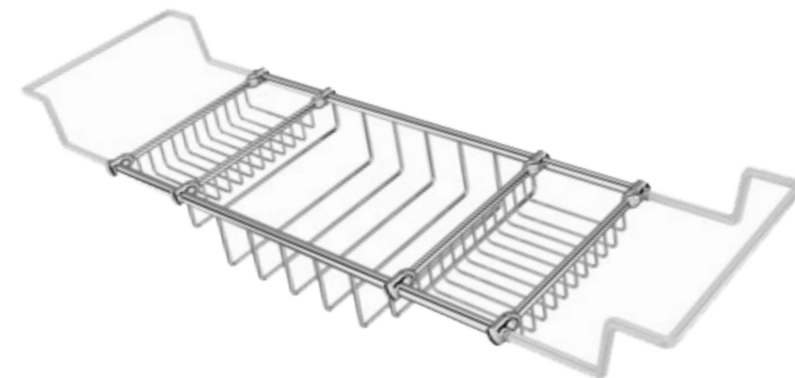
SE11118



SE11318



SE11298



bathroom accessories

ASSISTED LIVING

SAFETY ACCESSORIES



GRAB BARS



SE12539



SE12499



SE12549

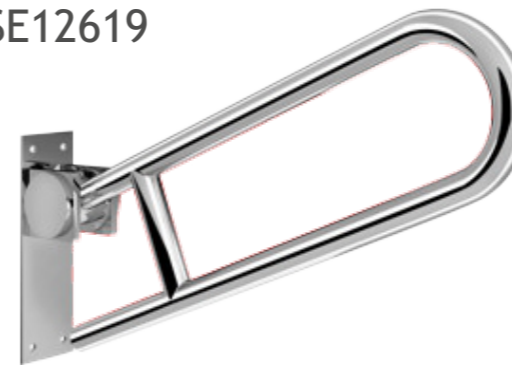
SE12636



SE12629



SE12619



SE101



SE12666



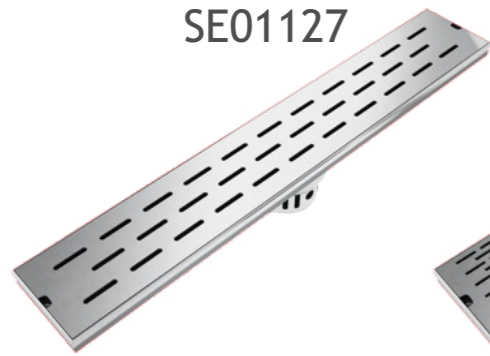
bathroom accessories

SHOWER CHANNELS & DRAINS



SHOWER CHANNELS

SE01127



SE01137



SE01147



SE01167



SE01197



FLOOR DRAINS

SE02129



SE02159



SE02189



SE02259



SE03289



bathroom accessories

PERIOD COLLECTION



BATH WASTE KIT



BATH SHROUD



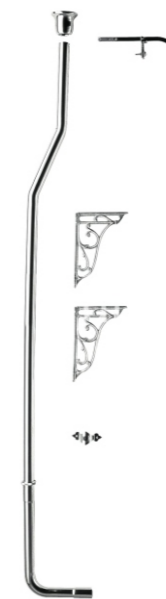
BATH TRAP & WASTE SET



LOW LEVEL FLUSH KIT



HIGH LEVEL FLUSH KIT



Our products are available
in different finishes



DECORATIVE
CHROME FINISH

Nickel 15 microns

Chrome 0.3 microns

as per International Service 2 conditions standard

POLISHED
BRASS



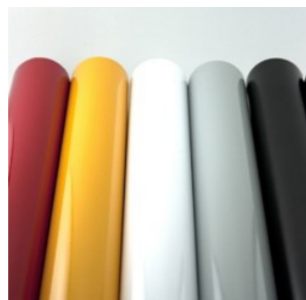
BRUSHED
NICKEL



NICKEL



BRUSHED BRASS



POWDER COATED FINISH
IN VARIOUS COLORS



Made to Measure

We can also cater to any specific design,
size requirement you may have.

International Quality Standards

Our products are tested to rigorous quality standards and are sought
after in various countries which include

United Kingdom, United States, Europe and Mediterranean countries.

Our company is ISO9001:2008 certified.