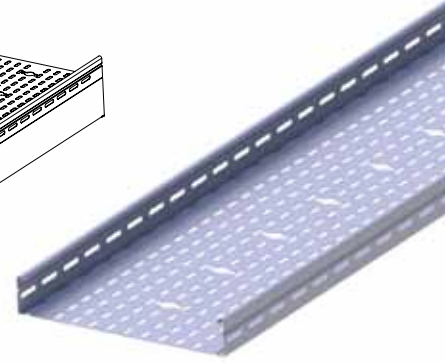
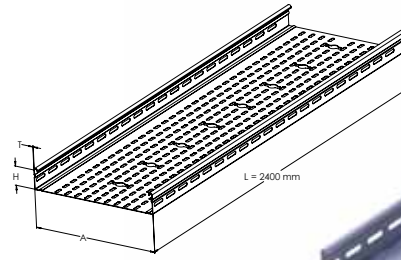


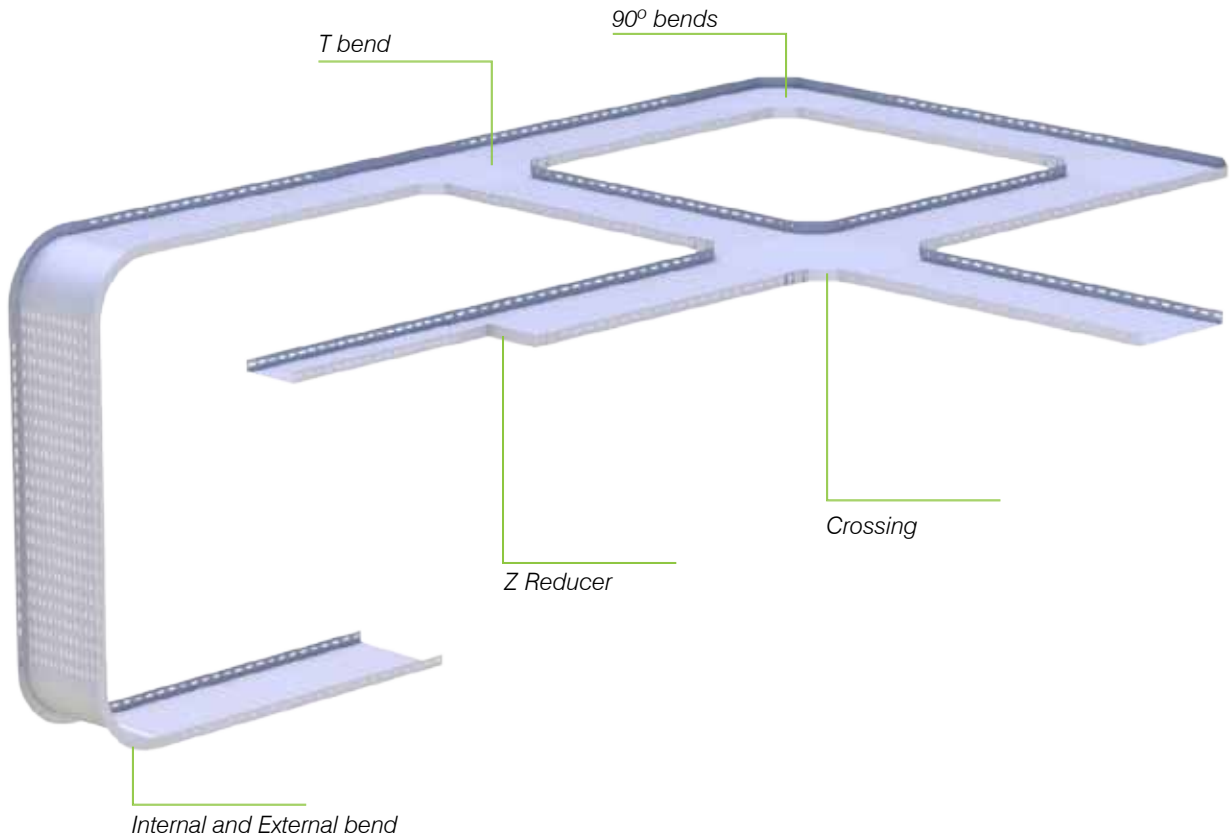
NORMAL TYPE CABLE TRAYS

FORMED CABLE TRAYS

Order Code	Width A (mm)	Thickness T (mm)	Height H (mm)	Sendzimir Galvanization /Weight (kg/mt)
ZEY.FK.50-08-40	50	0,8	40	0,83
ZEY.FK.100-08-40	100	0,8	40	1,11
ZEY.FK.150-08-40	150	0,8	40	1,40
ZEY.FK.200-08-40	200	0,8	40	1,68
ZEY.FK.300-10-40	300	1	40	2,80
ZEY.FK.400-12-40	400	1,2	40	4,21



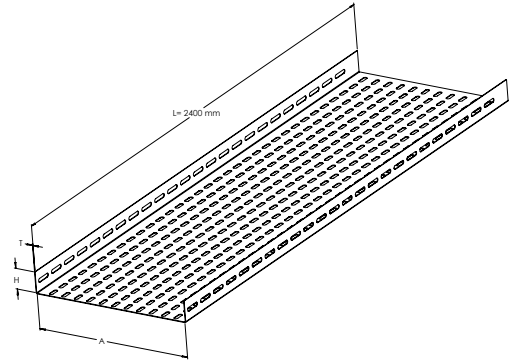
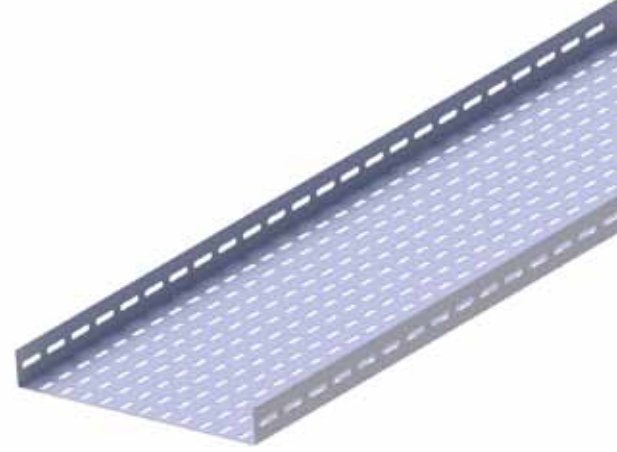
NORMAL TYPE CABLE TRAYS APPLICATION AND FIXING DETAILS



NORMAL TYPE CABLE TRAYS

H:40 mm

Order Code	Width A (mm)	Thickness T (mm)	Height H (mm)	Senzimir Galvanization /Weight (kg/mt)	Hot Dip Galvanization /Weight (kg/mt)
ZEY.NK.50-10-40	50	1	40	0,91	0,99
ZEY.NK.50-12-40	50	1,2	40	1,07	1,17
ZEY.NK.50-15-40	50	1,5	40	1,37	1,49
ZEY.NK.50-20-40	50	2	40	1,82	1,98
ZEY.NK.100-10-40	100	1	40	1,28	1,40
ZEY.NK.100-12-40	100	1,2	40	1,41	1,54
ZEY.NK.100-15-40	100	1,5	40	1,83	1,99
ZEY.NK.100-20-40	100	2	40	2,41	2,63
ZEY.NK.150-10-40	150	1	40	1,63	1,78
ZEY.NK.150-12-40	150	1,2	40	1,94	2,11
ZEY.NK.150-15-40	150	1,5	40	2,32	2,53
ZEY.NK.150-20-40	150	2	40	3,10	3,38
ZEY.NK.200-10-40	200	1	40	2,00	2,18
ZEY.NK.200-12-40	200	1,2	40	2,42	2,64
ZEY.NK.200-15-40	200	1,5	40	2,70	2,94
ZEY.NK.200-20-40	200	2	40	3,78	4,12
ZEY.NK.250-10-40	250	1	40	2,29	2,50
ZEY.NK.250-12-40	250	1,2	40	2,83	3,08
ZEY.NK.250-15-40	250	1,5	40	3,34	3,64
ZEY.NK.250-20-40	250	2	40	4,46	4,86
ZEY.NK.300-12-40	300	1,2	40	3,17	3,46
ZEY.NK.300-15-40	300	1,5	40	3,72	4,05
ZEY.NK.300-20-40	300	2	40	5,14	5,60
ZEY.NK.400-15-40	400	1,5	40	4,43	4,83
ZEY.NK.400-20-40	400	2	40	6,52	7,11
ZEY.NK.500-15-40	500	1,5	40	5,98	6,52
ZEY.NK.500-20-40	500	2	40	7,88	8,59
ZEY.NK.600-15-40	600	1,5	40	7,04	7,67
ZEY.NK.600-20-40	600	2	40	9,24	10,07



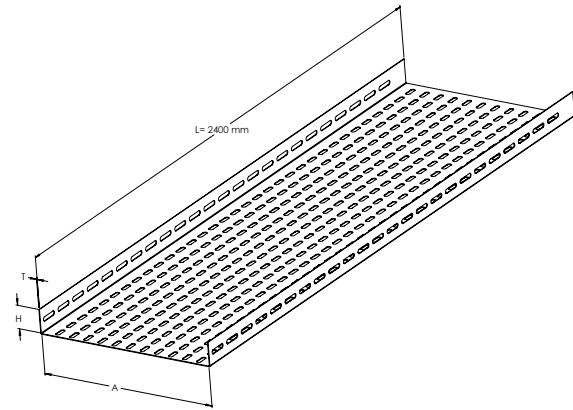
Mts weight tolerance \pm %10
 Standard Length 2400 mm
 Special size (dimensions) pls call us
 Pls define order codes when you offer or order

NORMAL TYPE CABLE TRAYS

NORMAL TYPE CABLE TRAYS

H:50 mm

Order Code	Width A (mm)	Thickness T (mm)	Height H (mm)	Sendzimir Galvanization /Weight (kg/mt)	Hot Dip Galvanization /Weight (kg/mt)
ZEY.NK.50-10-50	50	1	50	1,07	1,16
ZEY.NK.50-12-50	50	1,2	50	1,26	1,37
ZEY.NK.50-15-50	50	1,5	50	1,61	1,75
ZEY.NK.50-20-50	50	2	50	2,13	2,33
ZEY.NK.100-10-50	100	1	50	1,44	1,57
ZEY.NK.100-12-50	100	1,2	50	1,60	1,74
ZEY.NK.100-15-50	100	1,5	50	2,07	2,25
ZEY.NK.100-20-50	100	2	50	2,72	2,97
ZEY.NK.150-10-50	150	1	50	1,79	1,95
ZEY.NK.150-12-50	150	1,2	50	2,13	2,32
ZEY.NK.150-15-50	150	1,5	50	2,56	2,79
ZEY.NK.150-20-50	150	2	50	3,41	3,72
ZEY.NK.200-10-50	200	1	50	2,16	2,35
ZEY.NK.200-12-50	200	1,2	50	2,61	2,84
ZEY.NK.200-15-50	200	1,5	50	2,94	3,20
ZEY.NK.200-20-50	200	2	50	4,09	4,46
ZEY.NK.250-10-50	250	1	50	2,45	2,67
ZEY.NK.250-12-50	250	1,2	50	3,02	3,29
ZEY.NK.250-15-50	250	1,5	50	3,58	3,90
ZEY.NK.250-20-50	250	2	50	4,77	5,20
ZEY.NK.300-12-50	300	1,2	50	3,36	3,66
ZEY.NK.300-15-50	300	1,5	50	3,96	4,31
ZEY.NK.300-20-50	300	2	50	5,45	5,94
ZEY.NK.400-15-50	400	1,5	50	4,67	5,09
ZEY.NK.400-20-50	400	2	50	6,83	7,45
ZEY.NK.500-15-50	500	1,5	50	6,22	6,78
ZEY.NK.500-20-50	500	2	50	8,19	8,93
ZEY.NK.600-15-50	600	1,5	50	7,28	7,93
ZEY.NK.600-20-50	600	2	50	9,55	10,41



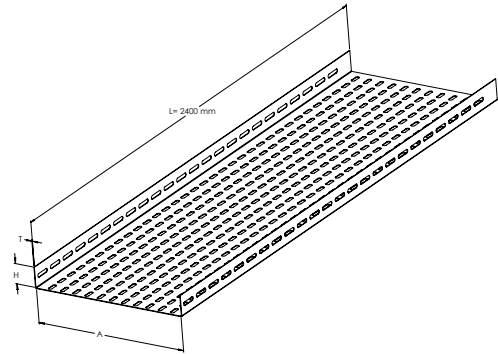
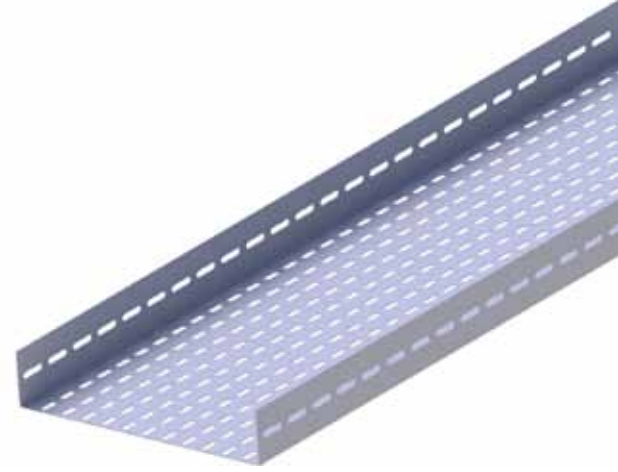
Mts weight tolerance \pm %10
 Standard Length 2400 mm
 Special size (dimensions) pls call us
 Pls define order codes when you offer or order

NORMAL TYPE CABLE TRAYS

NORMAL TYPE CABLE TRAYS

H:60 mm

Order Code	Width A (mm)	Thickness T (mm)	Height H (mm)	Sendzimir Galvanization /Weight (kg/mt)	Hot Dip Galvanization /Weight (kg/mt)
ZEY.NK.50-10-60	50	1	60	1,22	1,33
ZEY.NK.50-12-60	50	1,2	60	1,45	1,58
ZEY.NK.50-15-60	50	1,5	60	1,84	2,01
ZEY.NK.50-20-60	50	2	60	2,45	2,67
ZEY.NK.100-10-60	100	1	60	1,59	1,74
ZEY.NK.100-12-60	100	1,2	60	1,79	1,95
ZEY.NK.100-15-60	100	1,5	60	2,30	2,51
ZEY.NK.100-20-60	100	2	60	3,04	3,31
ZEY.NK.150-10-60	150	1	60	1,94	2,12
ZEY.NK.150-12-60	150	1,2	60	2,32	2,52
ZEY.NK.150-15-60	150	1,5	60	2,79	3,04
ZEY.NK.150-20-60	150	2	60	3,73	4,06
ZEY.NK.200-10-60	200	1	60	2,31	2,52
ZEY.NK.200-12-60	200	1,2	60	2,80	3,05
ZEY.NK.200-15-60	200	1,5	60	3,17	3,46
ZEY.NK.200-20-60	200	2	60	4,41	4,80
ZEY.NK.250-10-60	250	1	60	2,60	2,84
ZEY.NK.250-12-60	250	1,2	60	3,21	3,49
ZEY.NK.250-15-60	250	1,5	60	3,81	4,16
ZEY.NK.250-20-60	250	2	60	5,09	5,55
ZEY.NK.300-12-60	300	1,2	60	3,55	3,87
ZEY.NK.300-15-60	300	1,5	60	4,19	4,57
ZEY.NK.300-20-60	300	2	60	5,77	6,29
ZEY.NK.400-15-60	400	1,5	60	4,90	5,34
ZEY.NK.400-20-60	400	2	60	7,15	7,79
ZEY.NK.500-15-60	500	1,5	60	6,45	7,03
ZEY.NK.500-20-60	500	2	60	8,51	9,27
ZEY.NK.600-15-60	600	1,5	60	7,51	8,19
ZEY.NK.600-20-60	600	2	60	9,87	10,76



Mts weight tolerance \pm %10
 Standard Length 2400 mm
 Special size (dimensions) pls call us
 Pls define order codes when you offer or order

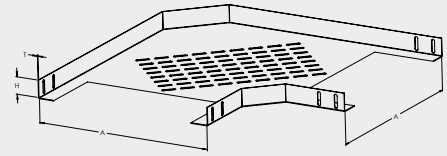
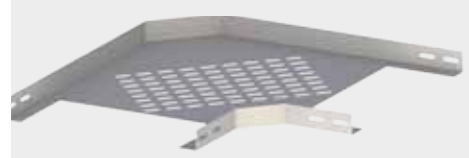
NORMAL TYPE CABLE TRAYS

HORIZONTAL BENDS 90°

Order Code	Width A (mm)	Thickness T (mm)	Height H (mm)	Sendzimir Galvanization /Weight (kg/piece)	Hot Dip Galvanization /Weight (kg/piece)
ZEY.90'.50-40	50	1	40	0,33	0,36
ZEY.90'.100-40	100	1	40	0,47	0,51
ZEY.90'.150-40	150	1	40	0,65	0,70
ZEY.90'.200-40	200	1	40	0,86	0,94
ZEY.90'.250-40	250	1	40	1,11	1,21
ZEY.90'.300-40	300	1,5	40	1,23	1,34
ZEY.90'.400-40	400	1,5	40	3,14	3,43
ZEY.90'.500-40	500	1,5	40	4,41	4,80
ZEY.90'.600-40	600	1,5	40	5,89	6,42

Order Code	Width A (mm)	Thickness T (mm)	Height H (mm)	Sendzimir Galvanization /Weight (kg/piece)	Hot Dip Galvanization /Weight (kg/piece)
ZEY.90'.50-50	50	1	50	0,37	0,40
ZEY.90'.100-50	100	1	50	0,51	0,56
ZEY.90'.150-50	150	1	50	0,69	0,75
ZEY.90'.200-50	200	1	50	0,91	0,99
ZEY.90'.250-50	250	1	50	1,17	1,27
ZEY.90'.300-50	300	1,5	50	1,76	1,92
ZEY.90'.400-50	400	1,5	50	3,25	3,55
ZEY.90'.500-50	500	1,5	50	4,53	4,94
ZEY.90'.600-50	600	1,5	50	6,04	6,58

Order Code	Width A (mm)	Thickness T (mm)	Height H (mm)	Sendzimir Galvanization /Weight (kg/piece)	Hot Dip Galvanization /Weight (kg/piece)
ZEY.90'.50-60	50	1	60	0,40	0,44
ZEY.90'.100-60	100	1	60	0,55	0,60
ZEY.90'.150-60	150	1	60	0,74	0,81
ZEY.90'.200-60	200	1	60	0,96	1,05
ZEY.90'.250-60	250	1	60	1,23	1,34
ZEY.90'.300-60	300	1,5	60	1,83	2,00
ZEY.90'.400-60	400	1,5	60	3,37	3,67
ZEY.90'.500-60	500	1,5	60	4,66	5,08
ZEY.90'.600-60	600	1,5	60	6,18	6,74



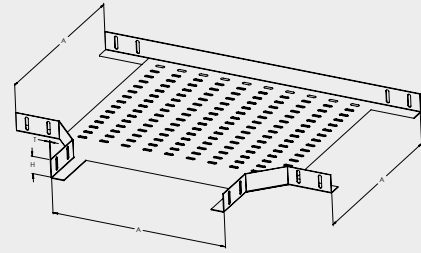
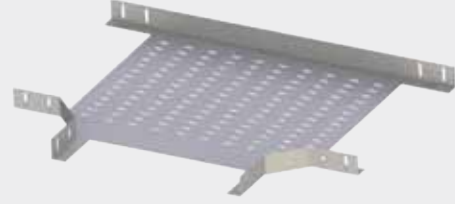
Mts weight tolerance ± %10
Special size (dimensions) pls call us
Pls define order codes when you offer or order

HORIZONTAL TEES

Order Code	Width A (mm)	Thickness T (mm)	Height H (mm)	Sendzimir Galvanization /Weight (kg/piece)	Hot Dip Galvanization /Weight (kg/piece)
ZEY.T.50-40	50	1	40	0,45	0,50
ZEY.T.100-40	100	1	40	0,61	0,66
ZEY.T.150-40	150	1	40	0,79	0,86
ZEY.T.200-40	200	1	40	1,02	1,11
ZEY.T.250-40	250	1	40	1,28	1,40
ZEY.T.300-40	300	1,5	40	1,90	2,07
ZEY.T.400-40	400	1,5	40	3,44	3,75
ZEY.T.500-40	500	1,5	40	4,73	5,16
ZEY.T.600-40	600	1,5	40	6,25	6,81

Order Code	Width A (mm)	Thickness T (mm)	Height H (mm)	Sendzimir Galvanization /Weight (kg/piece)	Hot Dip Galvanization /Weight (kg/piece)
ZEY.T.50-50	50	1	50	0,50	0,55
ZEY.T.100-50	100	1	50	0,66	0,72
ZEY.T.150-50	150	1	50	0,85	0,93
ZEY.T.200-50	200	1	50	1,08	1,18
ZEY.T.250-50	250	1	50	1,35	1,47
ZEY.T.300-50	300	1,5	50	1,98	2,16
ZEY.T.400-50	400	1,5	50	3,56	3,88
ZEY.T.500-50	500	1,5	50	4,86	5,30
ZEY.T.600-50	600	1,5	50	6,39	6,96

Order Code	Width A (mm)	Thickness T (mm)	Height H (mm)	Sendzimir Galvanization /Weight (kg/piece)	Hot Dip Galvanization /Weight (kg/piece)
ZEY.T.50-60	50	1	60	0,55	0,60
ZEY.T.100-60	100	1	60	0,71	0,78
ZEY.T.150-60	150	1	60	0,91	0,99
ZEY.T.200-60	200	1	60	1,14	1,24
ZEY.T.250-60	250	1	60	1,41	1,54
ZEY.T.300-60	300	1,5	60	2,06	2,25
ZEY.T.400-60	400	1,5	60	3,67	4,00
ZEY.T.500-60	500	1,5	60	4,98	5,43
ZEY.T.600-60	600	1,5	60	6,52	7,11



Mts weight tolerance : %10
Special size (dimensions) pls call us
Pls define order codes when you offer or order

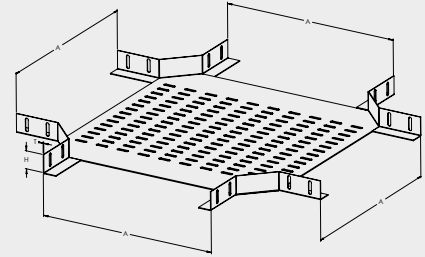
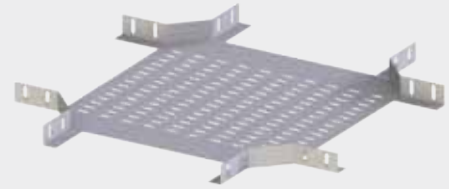
NORMAL TYPE CABLE TRAYS

HORIZONTAL CROSSING

Order Code	Width A (mm)	Thickness T (mm)	Height H (mm)	Sendzimir Galvanization /Weight (kg/piece)	Hot Dip Galvanization /Weight (kg/piece)
ZEY.X.50-40	50	1	40	0,59	0,64
ZEY.X.100-40	100	1	40	0,74	0,81
ZEY.X.150-40	150	1	40	0,93	1,02
ZEY.X.200-40	200	1	40	1,16	1,27
ZEY.X.250-40	250	1	40	1,43	1,55
ZEY.X.300-40	300	1,5	40	2,07	2,26
ZEY.X.400-40	400	1,5	40	3,67	4,00
ZEY.X.500-40	500	1,5	40	4,96	5,41
ZEY.X.600-40	600	1,5	40	6,48	7,07

Order Code	Width A (mm)	Thickness T (mm)	Height H (mm)	Sendzimir Galvanization /Weight (kg/piece)	Hot Dip Galvanization /Weight (kg/piece)
ZEY.X.50-50	50	1	50	0,65	0,71
ZEY.X.100-50	100	1	50	0,80	0,87
ZEY.X.150-50	150	1	50	0,99	1,08
ZEY.X.200-50	200	1	50	1,22	1,33
ZEY.X.250-50	250	1	50	1,48	1,62
ZEY.X.300-50	300	1,5	50	2,14	2,34
ZEY.X.400-50	400	1,5	50	3,75	4,09
ZEY.X.500-50	500	1,5	50	5,05	5,51
ZEY.X.600-50	600	1,5	50	6,57	7,16

Order Code	Width A (mm)	Thickness T (mm)	Height H (mm)	Sendzimir Galvanization /Weight (kg/piece)	Hot Dip Galvanization /Weight (kg/piece)
ZEY.X.50-60	50	1	60	0,71	0,77
ZEY.X.100-60	100	1	60	0,86	0,94
ZEY.X.150-60	150	1	60	1,05	1,14
ZEY.X.200-60	200	1	60	1,28	1,39
ZEY.X.250-60	250	1	60	1,54	1,68
ZEY.X.300-60	300	1,5	60	2,77	3,02
ZEY.X.400-60	400	1,5	60	3,84	4,19
ZEY.X.500-60	500	1,5	60	5,14	5,60
ZEY.X.600-60	600	1,5	60	6,66	7,26



Mts weight tolerance : %10
Special size (dimensions) pls call us
Pls define order codes when you offer or order

REDUCING ANGLES

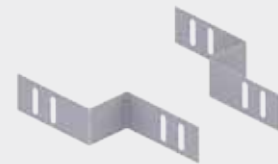
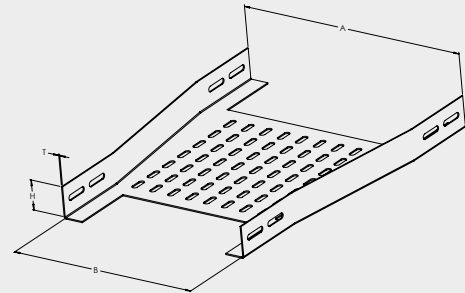
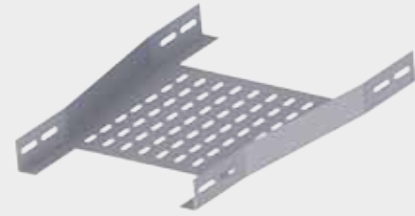
Order Code	Width B/A (mm)	Thickness T (mm)	Height H (mm)	Sendzimir Galvanization /Weight (kg/piece)	Hot Dip Galvanization /Weight (kg/piece)
ZEY.RED.100-40	50/100	1	40	0,37	0,40
ZEY.RED.150-40	100/150	1	40	0,53	0,58
ZEY.RED.200-40	150/200	1	40	0,73	0,80
ZEY.RED.250-40	200/250	1	40	0,97	1,06
ZEY.RED.300-40	250/300	1	40	1,87	2,04
ZEY.RED.400-40	300/400	1,5	40	2,87	3,13
ZEY.RED.500-40	400/500	1,5	40	4,10	4,47
ZEY.RED.600-40	500/600	1,5	40	5,44	5,93

Order Code	Width B/A (mm)	Thickness T (mm)	Height H (mm)	Sendzimir Galvanization /Weight (kg/piece)	Hot Dip Galvanization /Weight (kg/piece)
ZEY.RED.100-50	50/100	1	50	0,41	0,45
ZEY.RED.150-50	100/150	1	50	0,58	0,63
ZEY.RED.200-50	150/200	1	50	0,79	0,86
ZEY.RED.250-50	200/250	1	50	1,04	1,13
ZEY.RED.300-50	250/300	1	50	1,58	1,72
ZEY.RED.400-50	300/400	1,5	50	3,00	3,27
ZEY.RED.500-50	400/500	1,5	50	4,25	4,63
ZEY.RED.600-50	500/600	1,5	50	5,59	6,10

Order Code	Width B/A (mm)	Thickness T (mm)	Height H (mm)	Sendzimir Galvanization /Weight (kg/piece)	Hot Dip Galvanization /Weight (kg/piece)
ZEY.RED.100-60	50/100	1	60	0,45	0,49
ZEY.RED.150-60	100/150	1	60	0,63	0,68
ZEY.RED.200-60	150/200	1	60	0,84	0,92
ZEY.RED.250-60	200/250	1	60	1,10	1,20
ZEY.RED.300-60	250/300	1	60	1,67	1,82
ZEY.RED.400-60	300/400	1,5	60	3,12	3,40
ZEY.RED.500-60	400/500	1,5	60	4,40	4,79
ZEY.RED.600-60	500/600	1,5	60	5,75	6,27

Z TYPE REDUCER

Order Code	Width B/A (mm)	Thickness T (mm)	Height H (mm)
ZEY.ZRED.100	50/100	1,5	40-50-60
ZEY.ZRED.150	100/150	1,5	40-50-60
ZEY.ZRED.200	150/200	1,5	40-50-60
ZEY.ZRED.250	200/250	1,5	40-50-60
ZEY.ZRED.300	250/300	1,5	40-50-60
ZEY.ZRED.400	300/400	1,5	40-50-60
ZEY.ZRED.500	400/500	1,5	40-50-60
ZEY.ZRED.600	500/600	1,5	40-50-60



Mts weight tolerance ± %10
Special size (dimensions) pls call us
Pls define order codes when you offer or order

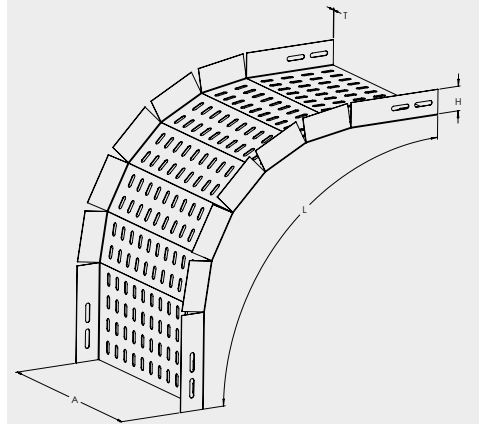
NORMAL TYPE CABLE TRAYS

INTERNAL AND EXTERNAL BEND

Order Code	Width A (mm)	Thickness T (mm)	Height H (mm)	Sendzimir Galvanization /Weight (kg/piece)	Hot Dip Galvanization /Weight (kg/piece)
ZEY.F.50-40	50	1	40	0,67	0,73
ZEY.F.100-40	100	1	40	0,89	0,98
ZEY.F.150-40	150	1	40	1,12	1,22
ZEY.F.200-40	200	1	40	1,34	1,46
ZEY.F.250-40	250	1	40	1,57	1,71
ZEY.F.300-40	300	1,5	40	2,68	2,93
ZEY.F.400-40	400	1,5	40	3,36	3,66
ZEY.F.500-40	500	1,5	40	4,03	4,39
ZEY.F.600-40	600	1,5	40	4,70	5,12

Order Code	Width A (mm)	Thickness T (mm)	Height H (mm)	Sendzimir Galvanization /Weight (kg/piece)	Hot Dip Galvanization /Weight (kg/piece)
ZEY.F.50-50	50	1	50	0,76	0,83
ZEY.F.100-50	100	1	50	0,98	1,07
ZEY.F.150-50	150	1	50	1,21	1,32
ZEY.F.200-50	200	1	50	1,43	1,56
ZEY.F.250-50	250	1	50	1,66	1,80
ZEY.F.300-50	300	1,5	50	2,82	3,07
ZEY.F.400-50	400	1,5	50	3,49	3,80
ZEY.F.500-50	500	1,5	50	4,16	4,54
ZEY.F.600-50	600	1,5	50	4,83	5,27

Order Code	Width A (mm)	Thickness T (mm)	Height H (mm)	Sendzimir Galvanization /Weight (kg/piece)	Hot Dip Galvanization /Weight (kg/piece)
ZEY.F.50-60	50	1	60	0,85	0,93
ZEY.F.100-60	100	1	60	1,07	1,17
ZEY.F.150-60	150	1	60	1,30	1,41
ZEY.F.200-60	200	1	60	1,52	1,66
ZEY.F.250-60	250	1	60	1,75	1,90
ZEY.F.300-60	300	1,5	60	2,95	3,22
ZEY.F.400-60	400	1,5	60	3,62	3,95
ZEY.F.500-60	500	1,5	60	4,30	4,68
ZEY.F.600-60	600	1,5	60	4,97	5,41



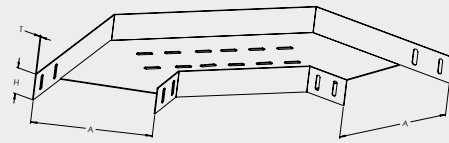
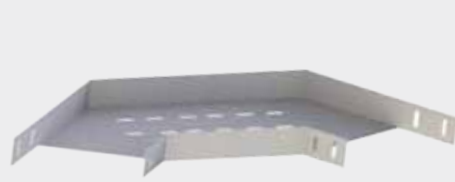
Mts weight tolerance \pm %10
 Special size (dimensions) pls call us
 Pls define order codes when you offer or order

HORIZONTAL BENDS 135°

Order Code	Width A (mm)	Thickness T (mm)	Height H (mm)	Sendzimir Galvanization /Weight (kg/piece)	Hot Dip Galvanization /Weight (kg/piece)
ZEY.135'.50-40	50	1	40	0,35	0,38
ZEY.135'.100-40	100	1	40	0,49	0,54
ZEY.135'.150-40	150	1	40	0,68	0,74
ZEY.135'.200-40	200	1	40	0,90	0,98
ZEY.135'.250-40	250	1	40	1,17	1,27
ZEY.135'.300-40	300	1,5	40	1,29	1,40
ZEY.135'.400-40	400	1,5	40	3,30	3,60
ZEY.135'.500-40	500	1,5	40	4,63	5,04
ZEY.135'.600-40	600	1,5	40	6,19	6,75

Order Code	Width A (mm)	Thickness T (mm)	Height H (mm)	Sendzimir Galvanization /Weight (kg/piece)	Hot Dip Galvanization /Weight (kg/piece)
ZEY.135'.50-50	50	1	50	0,38	0,42
ZEY.135'.100-50	100	1	50	0,54	0,58
ZEY.135'.150-50	150	1	50	0,73	0,79
ZEY.135'.200-50	200	1	50	0,96	1,04
ZEY.135'.250-50	250	1	50	1,23	1,34
ZEY.135'.300-50	300	1,5	50	1,85	2,01
ZEY.135'.400-50	400	1,5	50	3,42	3,72
ZEY.135'.500-50	500	1,5	50	4,76	5,19
ZEY.135'.600-50	600	1,5	50	6,34	6,91

Order Code	Width A (mm)	Thickness T (mm)	Height H (mm)	Sendzimir Galvanization /Weight (kg/piece)	Hot Dip Galvanization /Weight (kg/piece)
ZEY.135'.50-60	50	1	60	0,42	0,46
ZEY.135'.100-60	100	1	60	0,58	0,63
ZEY.135'.150-60	150	1	60	0,78	0,85
ZEY.135'.200-60	200	1	60	1,01	1,10
ZEY.135'.250-60	250	1	60	1,29	1,40
ZEY.135'.300-60	300	1,5	60	1,93	2,10
ZEY.135'.400-60	400	1,5	60	3,53	3,85
ZEY.135'.500-60	500	1,5	60	4,90	5,34
ZEY.135'.600-60	600	1,5	60	6,49	7,08



Mts weight tolerance \pm %10
Special size (dimensions) pls call us
Pls define order codes when you offer or order

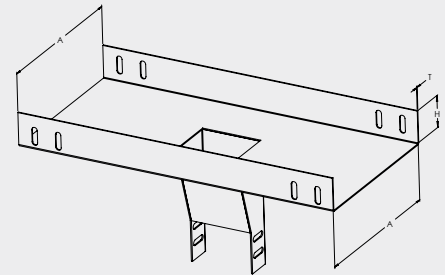
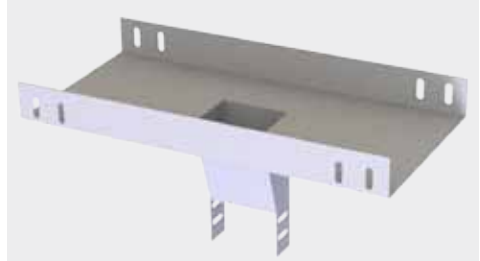
NORMAL TYPE CABLE TRAYS

VERTICAL TEES

Order Code	Width A (mm)	Thickness T (mm)	Height H (mm)	Sendzimir Galvanization /Weight (kg/piece)	Hot Dip Galvanization /Weight (kg/piece)
ZEY.DT.50-40	50	1	40	1,05	1,16
ZEY.DT.100-40	100	1	40	1,19	1,31
ZEY.DT.150-40	150	1	40	1,36	1,50
ZEY.DT.200-40	200	1	40	1,74	1,91
ZEY.DT.250-40	250	1	40	2,10	2,31
ZEY.DT.300-40	300	1,5	40	2,44	2,68
ZEY.DT.400-40	400	1,5	40	3,14	3,45
ZEY.DT.500-40	500	1,5	40	3,83	4,21
ZEY.DT.600-40	600	1,5	40	4,53	4,98

Order Code	Width A (mm)	Thickness T (mm)	Height H (mm)	Sendzimir Galvanization /Weight (kg/piece)	Hot Dip Galvanization /Weight (kg/piece)
ZEY.DT.50-50	50	1	50	1,10	1,21
ZEY.DT.100-50	100	1	50	1,25	1,37
ZEY.DT.150-50	150	1	50	1,43	1,57
ZEY.DT.200-50	200	1	50	1,83	2,01
ZEY.DT.250-50	250	1	50	2,21	2,43
ZEY.DT.300-50	300	1,5	50	2,56	2,82
ZEY.DT.400-50	400	1,5	50	3,30	3,63
ZEY.DT.500-50	500	1,5	50	4,02	4,42
ZEY.DT.600-50	600	1,5	50	4,76	5,23

Order Code	Width A (mm)	Thickness T (mm)	Height H (mm)	Sendzimir Galvanization /Weight (kg/piece)	Hot Dip Galvanization /Weight (kg/piece)
ZEY.DT.50-60	50	1	60	1,16	1,27
ZEY.DT.100-60	100	1	60	1,31	1,44
ZEY.DT.150-60	150	1	60	1,50	1,65
ZEY.DT.200-60	200	1	60	1,92	2,11
ZEY.DT.250-60	250	1	60	2,32	2,55
ZEY.DT.300-60	300	1,5	60	2,69	2,96
ZEY.DT.400-60	400	1,5	60	3,46	3,81
ZEY.DT.500-60	500	1,5	60	4,22	4,64
ZEY.DT.600-60	600	1,5	60	4,99	5,49



Mts weight tolerance : %10
Special size (dimensions) pls call us
Pls define order codes when you offer or order

NORMAL TYPE CABLE TRAY ACCESSORIES

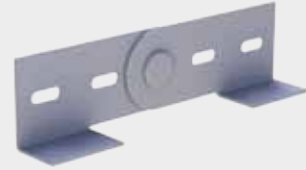
STRAIGHT JOINTING PIECE

Order Code	Thickness T (mm)	Height H (mm)	Sendzimir Galvanization /Weight (kg/piece)	Hot Dip Galvanization /Weight (kg/piece)
ZEY.EKP.40	1,5	40	0,14	0,155
ZEY.EKP.50	1,5	50	0,16	0,181
ZEY.EKP.60	1,5	60	0,19	0,207



HINGE (LEVELING) PIECE

Order Code	Thickness T (mm)	Height H (mm)	Sendzimir Galvanization /Weight (kg/piece)	Hot Dip Galvanization /Weight (kg/piece)
ZEY.SEKP.40	1,5	40	0,14	0,155
ZEY.SEKP.50	1,5	50	0,15	0,181
ZEY.SEKP.60	1,5	60	0,17	0,207



SEPERATOR

Order Code	Thickness T (mm)	Height H (mm)	Sendzimir Galvanization /Weight (kg/piece)	Hot Dip Galvanization /Weight (kg/piece)
ZEY.SEP.40	1,5	40	0,70	0,77
ZEY.SEP.50	1,5	50	0,82	0,90
ZEY.SEP.60	1,5	60	0,93	1,02



END CAP

Order Code	Thickness T (mm)	Height H (mm)	Sendzimir Galvanization /Weight (kg/piece)	Hot Dip Galvanization /Weight (kg/piece)
ZEY.KS.50	1	50	0,04	0,044
ZEY.KS.100	1	100	0,06	0,066
ZEY.KS.150	1	150	0,07	0,077
ZEY.KS.200	1	200	0,09	0,099
ZEY.KS.250	1	250	0,10	0,110
ZEY.KS.300	1,2	300	0,14	0,154
ZEY.KS.400	1,5	400	0,22	0,242
ZEY.KS.500	1,5	500	0,27	0,297
ZEY.KS.600	1,5	600	0,32	0,352



COVER CLIPS

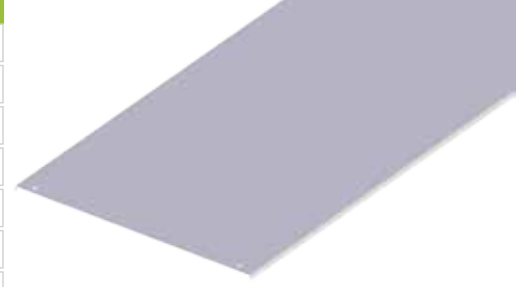
Order Code	Thickness T (mm)	Height H (mm)	Sendzimir Galvanization /Weight (kg/piece)
ZEY.KELEPCE	1,5	40	0,021
ZEY.KELEPCE/50	1,5	50	0,024
ZEY.KELEPCE/60	1,5	60	0,026



TRAYS COVERS

COVERS

Order Code	Lenght L (mm)	Width A (mm)	Thickness T (mm)	Height H (mm)	Sendzimir Galvanization /Weight (kg/mt)	Hot Dip Galvanization /Weight (kg/mt)
ZEY.KK.50-10-10	2400	50	1	10	0,55	0,61
ZEY.KK.100-10-10	2400	100	1	10	0,94	1,03
ZEY.KK.150-10-10	2400	150	1	10	1,33	1,46
ZEY.KK.200-10-10	2400	200	1	10	1,72	1,89
ZEY.KK.250-10-10	2400	250	1	10	2,11	2,32
ZEY.KK.300-12-10	2400	300	1,2	10	3,01	3,31
ZEY.KK.400-15-10	2400	400	1,5	10	4,94	5,43
ZEY.KK.500-15-10	2400	500	1,5	10	6,12	6,73
ZEY.KK.600-15-10	2400	600	1,5	10	7,30	8,03



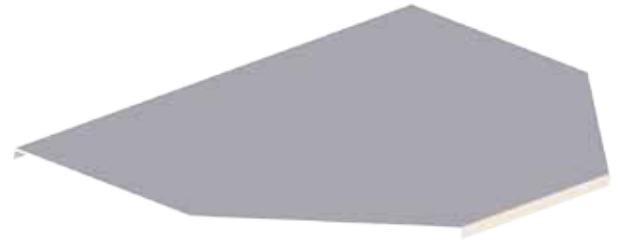
COVERS OF HORIZONTAL BENDS 90°

Order Code	Width A (mm)	Thickness T (mm)	Height H (mm)	Sendzimir Galvanization /Weight (kg/piece)	Hot Dip Galvanization /Weight (kg/piece)
ZEY.90°K.50-10	50	1	10	0,23	0,25
ZEY.90°K.100-10	100	1	10	0,43	0,47
ZEY.90°K.150-10	150	1	10	0,68	0,75
ZEY.90°K.200-10	200	1	10	0,99	1,09
ZEY.90°K.250-10	250	1	10	1,36	1,50
ZEY.90°K.300-10	300	1,2	10	1,79	1,97
ZEY.90°K.400-10	400	1,5	10	2,83	3,11
ZEY.90°K.500-10	500	1,5	10	4,10	4,51
ZEY.90°K.600-10	600	1,5	10	5,61	6,17



COVERS OF HORIZONTAL TEES

Order Code	Width A (mm)	Thickness T (mm)	Height H (mm)	Sendzimir Galvanization /Weight (kg/piece)	Hot Dip Galvanization /Weight (kg/piece)
ZEY.TK.50-10	50	1	10	0,32	0,35
ZEY.TK.100-10	100	1	10	0,52	0,57
ZEY.TK.150-10	150	1	10	0,79	0,87
ZEY.TK.200-10	200	1	10	1,12	1,23
ZEY.TK.250-10	250	1	10	1,45	1,60
ZEY.TK.300-10	300	1,2	10	1,94	2,13
ZEY.TK.400-10	400	1,5	10	2,98	3,28
ZEY.TK.500-10	500	1,5	10	4,25	4,68
ZEY.TK.600-10	600	1,5	10	5,75	6,32



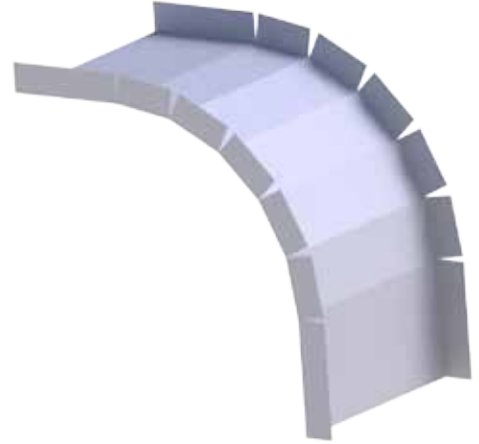
COVERS OF CROSSING

Order Code	Width A (mm)	Thickness T (mm)	Height H (mm)	Sendzimir Galvanization /Weight (kg/piece)	Hot Dip Galvanization /Weight (kg/piece)
ZEY.XK.50-10	50	1	10	0,25	0,28
ZEY.XK.100-10	100	1	10	0,39	0,43
ZEY.XK.150-10	150	1	10	0,58	0,64
ZEY.XK.200-10	200	1	10	0,81	0,89
ZEY.XK.250-10	250	1	10	1,08	1,18
ZEY.XK.300-10	300	1,2	10	2,07	2,28
ZEY.XK.400-10	400	1,5	10	3,14	3,46
ZEY.XK.500-10	500	1,5	10	4,44	4,88
ZEY.XK.600-10	600	1,5	10	5,96	6,56



COVERS OF INTERNAL AND EXTERNAL BENDS

Order Code	Width A (mm)	Thickness T (mm)	Height H (mm)	Sendzimir Galvanization /Weight (kg/piece)	Hot Dip Galvanization /Weight (kg/piece)
ZEY.FK.50-10	50	1	10	0,67	0,74
ZEY.FK.100-10	100	1	10	0,89	0,98
ZEY.FK.150-10	150	1	10	1,12	1,23
ZEY.FK.200-10	200	1	10	1,34	1,48
ZEY.FK.250-10	250	1	10	1,57	1,72
ZEY.FK.300-10	300	1,2	10	2,15	2,36
ZEY.FK.400-10	400	1,5	10	3,36	3,69
ZEY.FK.500-10	500	1,5	10	4,03	4,43
ZEY.FK.600-10	600	1,5	10	4,70	5,17



COVERS OF HORIZONTAL BENDS 135°

Order Code	Width A (mm)	Thickness T (mm)	Height H (mm)	Sendzimir Galvanization /Weight (kg/piece)	Hot Dip Galvanization /Weight (kg/piece)
ZEY.135'K.50-10	50	1	10	0,25	0,28
ZEY.135'K.100-10	100	1	10	0,47	0,51
ZEY.135'K.150-10	150	1	10	0,75	0,82
ZEY.135'K.200-10	200	1	10	1,09	1,20
ZEY.135'K.250-10	250	1	10	1,50	1,65
ZEY.135'K.300-10	300	1,2	10	1,97	2,17
ZEY.135'K.400-10	400	1,5	10	3,11	3,42
ZEY.135'K.500-10	500	1,5	10	4,51	4,96
ZEY.135'K.600-10	600	1,5	10	6,17	6,78



CABLE TRAY FOR POLE

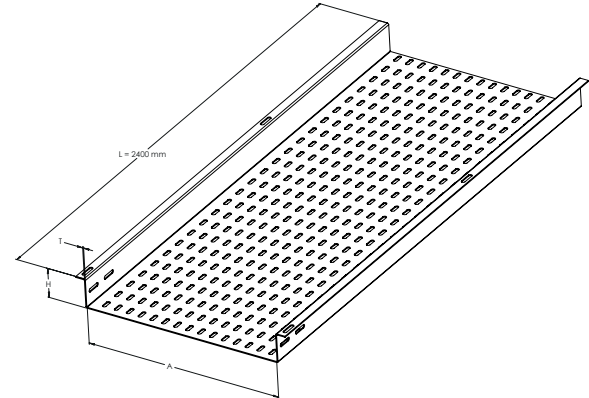
CABLE TRAY FOR POLE

Order Code	Width A (mm)	Thickness T (mm)	Height H (mm)	Sendzimir Galvanization /Weight (kg/mt)	Hot Dip Galvanization /Weight (kg/mt)
ZEY.DKK.200-15-100	200	1,5	100	4,66	5,08
ZEY.DKK.250-15-100	250	1,5	100	5,19	5,66
ZEY.DKK.300-15-100	300	1,5	100	5,72	6,24
ZEY.DKK.400-20-100	400	2	100	9,04	9,86
ZEY.DKK.500-20-100	500	2	100	10,46	11,40
ZEY.DKK.600-20-100	600	2	100	11,87	12,94



POLE TRAY'S COVER

Order Code	Width A (mm)	Thickness T (mm)	Height H (mm)	Sendzimir Galvanization /Weight (kg/mt)	Hot Dip Galvanization /Weight (kg/mt)
ZEY.DKKK.200-15-15	200	1,5	15	2,54	2,77
ZEY.DKKK.250-15-15	250	1,5	15	2,97	3,23
ZEY.DKKK.300-15-15	300	1,5	15	3,60	3,93
ZEY.DKKK.400-15-15	400	1,5	15	4,66	5,08
ZEY.DKKK.500-15-15	500	1,5	15	5,72	6,24
ZEY.DKKK.600-15-15	600	1,5	15	6,78	7,39



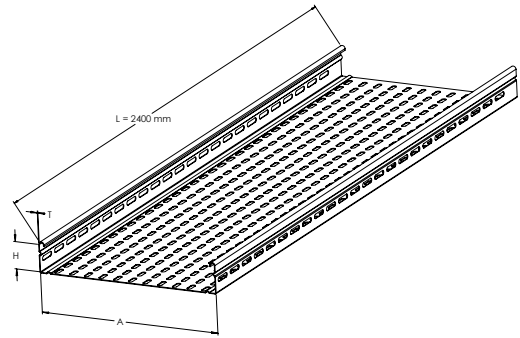
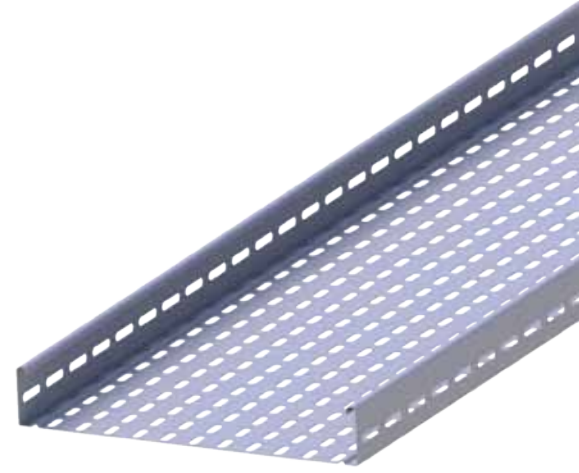
Mts weight tolerance : %10
 Standard Length 2400 mm
 Special size (dimensions) pls call us
 Pls define order codes when you offer or order

HEAVY DUTY CABLE TRAYS

HEAVY DUTY CABLE TRAYS

H:40 mm

Order Code	Width A (mm)	Thickness T (mm)	Height H (mm)	Sendzimir Galvanization /Weight (kg/mt)	Hot Dip Galvanization /Weight (kg/mt)
ZEY.AK.50-10-40	50	1	40	1,07	1,16
ZEY.AK.50-12-40	50	1,2	40	1,26	1,37
ZEY.AK.50-15-40	50	1,5	40	1,61	1,75
ZEY.AK.50-20-40	50	2	40	2,13	2,33
ZEY.AK.100-10-40	100	1	40	1,44	1,57
ZEY.AK.100-12-40	100	1,2	40	1,60	1,74
ZEY.AK.100-15-40	100	1,5	40	2,07	2,25
ZEY.AK.100-20-40	100	2	40	2,72	2,97
ZEY.AK.150-10-40	150	1	40	1,79	1,95
ZEY.AK.150-12-40	150	1,2	40	2,13	2,32
ZEY.AK.150-15-40	150	1,5	40	2,56	2,79
ZEY.AK.150-20-40	150	2	40	3,41	3,72
ZEY.AK.200-10-40	200	1	40	2,16	2,35
ZEY.AK.200-12-40	200	1,2	40	2,61	2,84
ZEY.AK.200-15-40	200	1,5	40	2,94	3,20
ZEY.AK.200-20-40	200	2	40	4,09	4,46
ZEY.AK.250-10-40	250	1	40	2,45	2,67
ZEY.AK.250-12-40	250	1,2	40	3,02	3,29
ZEY.AK.250-15-40	250	1,5	40	3,58	3,90
ZEY.AK.250-20-40	250	2	40	4,77	5,20
ZEY.AK.300-12-40	300	1,2	40	3,36	3,66
ZEY.AK.300-15-40	300	1,5	40	3,96	4,31
ZEY.AK.300-20-40	300	2	40	5,45	5,94
ZEY.AK.400-15-40	400	1,5	40	4,67	5,09
ZEY.AK.400-20-40	400	2	40	6,83	7,45
ZEY.AK.500-15-40	500	1,5	40	6,22	6,78
ZEY.AK.500-20-40	500	2	40	8,19	8,93
ZEY.AK.600-15-40	600	1,5	40	7,28	7,93
ZEY.AK.600-20-40	600	2	40	9,55	10,41



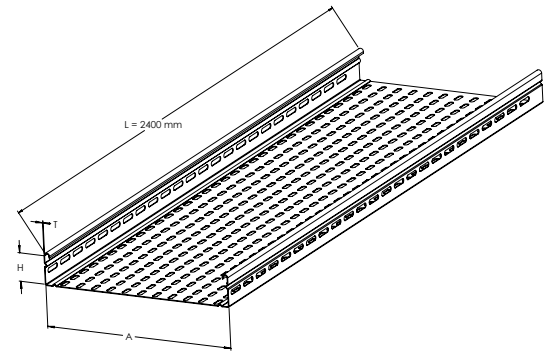
Mts weight tolerance : %10
 Standard Length 2400 mm
 Special size (dimensions) pls call us
 Pls define order codes when you offer or order

HEAVY DUTY CABLE TRAYS

HEAVY DUTY CABLE TRAYS

H:50 mm

Order Code	Width A (mm)	Thickness T (mm)	Height H (mm)	Sendzimir Galvanization /Weight (kg/mt)	Hot Dip Galvanization /Weight (kg/mt)
ZEY.AK.50-10-50	50	1	50	1,22	1,33
ZEY.AK.50-12-50	50	1,2	50	1,45	1,58
ZEY.AK.50-15-50	50	1,5	50	1,84	2,01
ZEY.AK.50-20-50	50	2	50	2,45	2,67
ZEY.AK.100-10-50	100	1	50	1,59	1,74
ZEY.AK.100-12-50	100	1,2	50	1,79	1,95
ZEY.AK.100-15-50	100	1,5	50	2,30	2,51
ZEY.AK.100-20-50	100	2	50	3,04	3,31
ZEY.AK.150-10-50	150	1	50	1,94	2,12
ZEY.AK.150-12-50	150	1,2	50	2,32	2,52
ZEY.AK.150-15-50	150	1,5	50	2,79	3,04
ZEY.AK.150-20-50	150	2	50	3,73	4,06
ZEY.AK.200-10-40	200	1	50	2,31	2,52
ZEY.AK.200-12-50	200	1,2	50	2,80	3,05
ZEY.AK.200-15-50	200	1,5	50	3,17	3,46
ZEY.AK.200-20-50	200	2	50	4,41	4,80
ZEY.AK.250-10-50	250	1	50	2,60	2,84
ZEY.AK.250-12-50	250	1,2	50	3,21	3,49
ZEY.AK.250-15-50	250	1,5	50	3,81	4,16
ZEY.AK.250-20-50	250	2	50	5,09	5,55
ZEY.AK.300-12-50	300	1,2	50	3,55	3,87
ZEY.AK.300-15-50	300	1,5	50	4,19	4,57
ZEY.AK.300-20-50	300	2	50	5,77	6,29
ZEY.AK.400-15-50	400	1,5	50	4,90	5,34
ZEY.AK.400-20-50	400	2	50	7,15	7,79
ZEY.AK.500-15-50	500	1,5	50	6,45	7,03
ZEY.AK.500-20-50	500	2	50	8,51	9,27
ZEY.AK.600-15-50	600	1,5	50	7,51	8,19
ZEY.AK.600-20-50	600	2	50	9,87	10,76

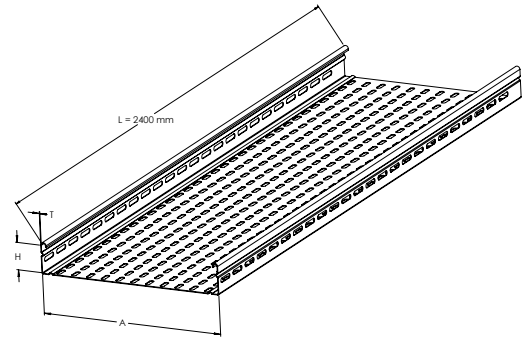
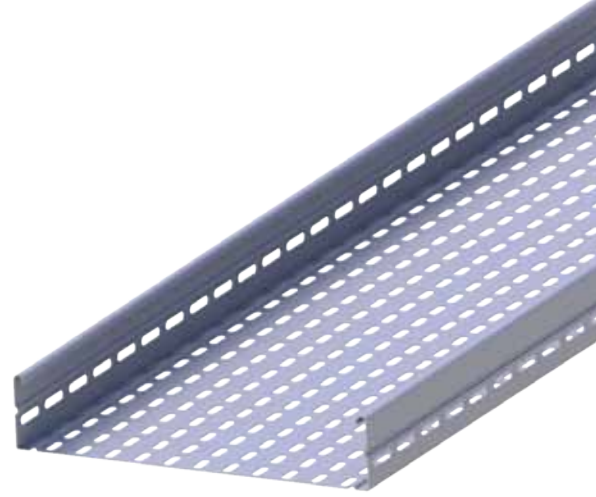


Mts weight tolerance : %10
 Standard Length 2400 mm
 Special size (dimensions) pls call us
 Pls define order codes when you offer or order

HEAVY DUTY CABLE TRAYS

H:60 mm

Order Code	Width A (mm)	Thickness T (mm)	Height H (mm)	Sendzimir Galvanization /Weight (kg/mt)	Hot Dip Galvanization /Weight (kg/mt)
ZEY.AK.50-10-60	50	1	60	1,38	1,50
ZEY.AK.50-12-60	50	1,2	60	1,63	1,78
ZEY.AK.50-15-60	50	1,5	60	2,08	2,27
ZEY.AK.50-20-60	50	2	60	2,76	3,01
ZEY.AK.100-10-60	100	1	60	1,75	1,91
ZEY.AK.100-12-60	100	1,2	60	1,97	2,15
ZEY.AK.100-15-60	100	1,5	60	2,54	2,77
ZEY.AK.100-20-60	100	2	60	3,35	3,65
ZEY.AK.150-10-60	150	1	60	2,10	2,29
ZEY.AK.150-12-60	150	1,2	60	2,50	2,73
ZEY.AK.150-15-60	150	1,5	60	3,03	3,30
ZEY.AK.150-20-60	150	2	60	4,04	4,41
ZEY.AK.200-10-60	200	1	60	2,47	2,69
ZEY.AK.200-12-60	200	1,2	60	2,98	3,25
ZEY.AK.200-15-60	200	1,5	60	3,41	3,71
ZEY.AK.200-20-60	200	2	60	4,72	5,15
ZEY.AK.250-10-60	250	1	60	2,76	3,01
ZEY.AK.250-12-60	250	1,2	60	3,39	3,70
ZEY.AK.250-15-60	250	1,5	60	4,05	4,41
ZEY.AK.250-20-60	250	2	60	5,40	5,89
ZEY.AK.300-12-60	300	1,2	60	3,73	4,07
ZEY.AK.300-15-60	300	1,5	60	4,43	4,83
ZEY.AK.300-20-60	300	2	60	6,08	6,63
ZEY.AK.400-15-60	400	1,5	60	5,14	5,60
ZEY.AK.400-20-60	400	2	60	7,46	8,13
ZEY.AK.500-15-60	500	1,5	60	6,69	7,29
ZEY.AK.500-20-60	500	2	60	8,82	9,62
ZEY.AK.600-15-60	600	1,5	60	7,75	8,45
ZEY.AK.600-20-60	600	2	60	10,18	11,10



Mts weight tolerance \pm %10
 Standard Length 2400 mm
 Special size (dimensions) pls call us
 Pls define order codes when you offer or order

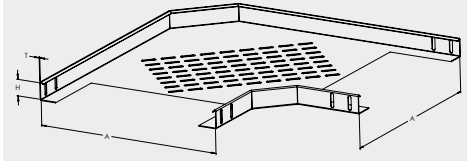
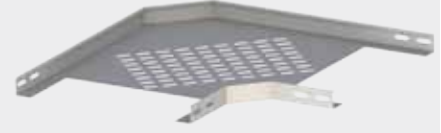
HEAVY DUTY CABLE TRAYS

HORIZONTAL BENDS 90°

Order Code	Width A (mm)	Thickness T (mm)	Height H (mm)	Sendzimir Galvanization /Weight (kg/piece)	Hot Dip Galvanization /Weight (kg/piece)
ZEY.A90'.50-40	50	1	40	0,40	0,44
ZEY.A90'.100-40	100	1	40	0,55	0,60
ZEY.A90'.150-40	150	1	40	0,74	0,81
ZEY.A90'.200-40	200	1	40	0,96	1,05
ZEY.A90'.250-40	250	1	40	1,23	1,34
ZEY.A90'.300-40	300	1,5	40	2,29	2,50
ZEY.A90'.400-40	400	1,5	40	3,37	3,67
ZEY.A90'.500-40	500	1,5	40	4,66	5,08
ZEY.A90'.600-40	600	1,5	40	6,18	6,74

Order Code	Width A (mm)	Thickness T (mm)	Height H (mm)	Sendzimir Galvanization /Weight (kg/piece)	Hot Dip Galvanization /Weight (kg/piece)
ZEY.A90'.50-50	50	1	50	0,44	0,48
ZEY.A90'.100-50	100	1	50	0,59	0,65
ZEY.A90'.150-50	150	1	50	0,79	0,86
ZEY.A90'.200-50	200	1	50	1,02	1,11
ZEY.A90'.250-50	250	1	50	1,28	1,40
ZEY.A90'.300-50	300	1,5	50	1,91	2,08
ZEY.A90'.400-50	400	1,5	50	3,48	3,79
ZEY.A90'.500-50	500	1,5	50	4,79	5,22
ZEY.A90'.600-50	600	1,5	50	6,33	6,90

Order Code	Width A (mm)	Thickness T (mm)	Height H (mm)	Sendzimir Galvanization /Weight (kg/piece)	Hot Dip Galvanization /Weight (kg/piece)
ZEY.A90'.60-60	50	1	60	0,48	0,52
ZEY.A90'.100-60	100	1	60	0,64	0,69
ZEY.A90'.150-60	150	1	60	0,83	0,91
ZEY.A90'.200-60	200	1	60	1,07	1,17
ZEY.A90'.250-60	250	1	60	1,34	1,46
ZEY.A90'.300-60	300	1,5	60	1,99	2,16
ZEY.A90'.400-60	400	1,5	60	3,59	3,91
ZEY.A90'.500-60	500	1,5	60	4,92	5,36
ZEY.A90'.600-60	600	1,5	60	6,48	7,06



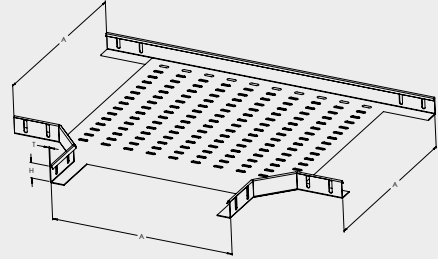
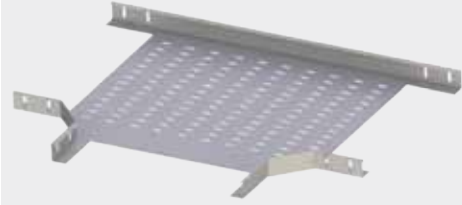
Mts weight tolerance : %10
Special size (dimensions) pls call us
Pls define order codes when you offer or order

HORIZONTAL TEES

Order Code	Width A (mm)	Thickness T (mm)	Height H (mm)	Sendzimir Galvanization /Weight (kg/piece)	Hot Dip Galvanization /Weight (kg/piece)
ZEY.AT.50-40	50	1	40	0,55	0,60
ZEY.AT.100-40	100	1	40	0,71	0,78
ZEY.AT.150-40	150	1	40	0,91	0,99
ZEY.AT.200-40	200	1	40	1,14	1,24
ZEY.AT.250-40	250	1	40	1,41	1,54
ZEY.AT.300-40	300	1,5	40	2,06	2,25
ZEY.AT.400-40	400	1,5	40	3,67	4,00
ZEY.AT.500-40	500	1,5	40	4,98	5,43
ZEY.AT.600-40	600	1,5	40	6,52	7,11

Order Code	Width A (mm)	Thickness T (mm)	Height H (mm)	Sendzimir Galvanization /Weight (kg/piece)	Hot Dip Galvanization /Weight (kg/piece)
ZEY.AT.50-50	50	1	50	0,60	0,66
ZEY.AT.100-50	100	1	50	0,77	0,84
ZEY.AT.150-50	150	1	50	0,97	1,05
ZEY.AT.200-50	200	1	50	1,20	1,31
ZEY.AT.250-50	250	1	50	1,48	1,61
ZEY.AT.300-50	300	1,5	50	2,15	2,34
ZEY.AT.400-50	400	1,5	50	3,78	4,12
ZEY.AT.500-50	500	1,5	50	5,11	5,57
ZEY.AT.600-50	600	1,5	50	6,66	7,26

Order Code	Width A (mm)	Thickness T (mm)	Height H (mm)	Sendzimir Galvanization /Weight (kg/piece)	Hot Dip Galvanization /Weight (kg/piece)
ZEY.AT.50-60	50	1	60	0,65	0,71
ZEY.AT.100-60	100	1	60	0,82	0,89
ZEY.AT.150-60	150	1	60	1,02	1,12
ZEY.AT.200-60	200	1	60	1,26	1,38
ZEY.AT.250-60	250	1	60	1,54	1,68
ZEY.AT.300-60	300	1,5	60	2,23	2,43
ZEY.AT.400-60	400	1,5	60	3,90	4,25
ZEY.AT.500-60	500	1,5	60	5,23	5,71
ZEY.AT.600-60	600	1,5	60	6,80	7,41



Mts weight tolerance \pm %10
Special size (dimensions) pls call us
Pls define order codes when you offer or order

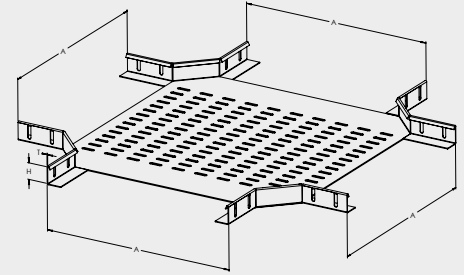
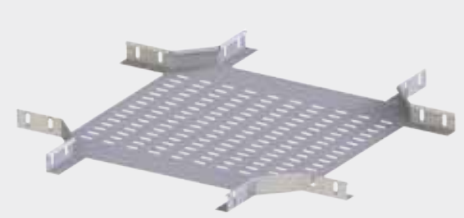
HEAVY DUTY CABLE TRAYS

HORIZONTAL CROSSING

Order Code	Width A (mm)	Thickness T (mm)	Height H (mm)	Sendzimir Galvanization /Weight (kg/piece)	Hot Dip Galvanization /Weight (kg/piece)
ZEY.AX.50-40	50	1	40	0,71	0,77
ZEY.AX.100-40	100	1	40	0,86	0,94
ZEY.AX.150-40	150	1	40	1,05	1,14
ZEY.AX.200-40	200	1	40	1,28	1,39
ZEY.AX.250-40	250	1	40	1,54	1,68
ZEY.AX.300-40	300	1,5	40	2,21	2,41
ZEY.AX.400-40	400	1,5	40	3,84	4,19
ZEY.AX.500-40	500	1,5	40	5,14	5,60
ZEY.AX.600-40	600	1,5	40	6,66	7,26

Order Code	Width A (mm)	Thickness T (mm)	Height H (mm)	Sendzimir Galvanization /Weight (kg/piece)	Hot Dip Galvanization /Weight (kg/piece)
ZEY.AX.50-50	50	1	50	0,77	0,83
ZEY.AX.100-50	100	1	50	0,92	1,00
ZEY.AX.150-50	150	1	50	1,11	1,21
ZEY.AX.200-50	200	1	50	1,34	1,46
ZEY.AX.250-50	250	1	50	1,60	1,74
ZEY.AX.300-50	300	1,5	50	2,28	2,49
ZEY.AX.400-50	400	1,5	50	3,93	4,28
ZEY.AX.500-50	500	1,5	50	5,23	5,70
ZEY.AX.600-50	600	1,5	50	6,75	7,35

Order Code	Width A (mm)	Thickness T (mm)	Height H (mm)	Sendzimir Galvanization /Weight (kg/piece)	Hot Dip Galvanization /Weight (kg/piece)
ZEY.AX.50-60	50	1	60	0,82	0,90
ZEY.AX.100-60	100	1	60	0,98	1,06
ZEY.AX.150-60	150	1	60	1,17	1,27
ZEY.AX.200-60	200	1	60	1,39	1,52
ZEY.AX.250-60	250	1	60	1,66	1,81
ZEY.AX.300-60	300	1,5	60	2,94	3,21
ZEY.AX.400-60	400	1,5	60	4,01	4,38
ZEY.AX.500-60	500	1,5	60	5,31	5,79
ZEY.AX.600-60	600	1,5	60	6,83	7,45



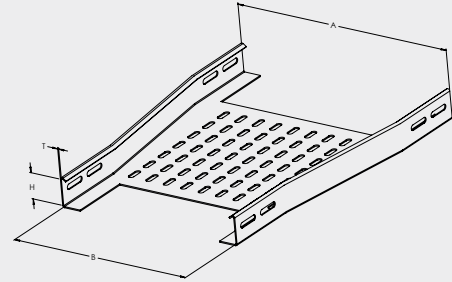
Mts weight tolerance : %10
Special size (dimensions) pls call us
Pls define order codes when you offer or order

REDUCING ANGLES

Order Code	Width B/A (mm)	Thickness T (mm)	Height H (mm)	Sendzimir Galvanization /Weight (kg/piece)	Hot Dip Galvanization /Weight (kg/piece)
ZEY.ARED.100-40	50/100	1	40	0,45	0,49
ZEY.ARED.150-40	100/150	1	40	0,63	0,68
ZEY.ARED.200-40	150/200	1	40	0,84	0,92
ZEY.ARED.250-40	200/250	1	40	1,10	1,20
ZEY.ARED.300-40	250/300	1	40	2,08	2,27
ZEY.ARED.400-40	300/400	1,5	40	3,12	3,40
ZEY.ARED.500-40	400/500	1,5	40	4,40	4,79
ZEY.ARED.600-40	500/600	1,5	40	5,75	6,27

Order Code	Width B/A (mm)	Thickness T (mm)	Height H (mm)	Sendzimir Galvanization /Weight (kg/piece)	Hot Dip Galvanization /Weight (kg/piece)
ZEY.ARED.100-50	50/100	1	50	0,49	0,53
ZEY.ARED.150-50	100/150	1	50	0,68	0,74
ZEY.ARED.200-50	150/200	1	50	0,90	0,98
ZEY.ARED.250-50	200/250	1	50	1,16	1,26
ZEY.ARED.300-50	250/300	1	50	2,19	2,38
ZEY.ARED.400-50	300/400	1,5	50	3,25	3,54
ZEY.ARED.500-50	400/500	1,5	50	4,54	4,95
ZEY.ARED.600-50	500/600	1,5	50	5,91	6,44

Order Code	Width B/A (mm)	Thickness T (mm)	Height H (mm)	Sendzimir Galvanization /Weight (kg/piece)	Hot Dip Galvanization /Weight (kg/piece)
ZEY.ARED.100-60	50/100	1	60	0,53	0,58
ZEY.ARED.150-60	100/150	1	60	0,72	0,79
ZEY.ARED.200-60	150/200	1	60	0,95	1,04
ZEY.ARED.250-60	200/250	1	60	1,22	1,33
ZEY.ARED.300-60	250/300	1	60	2,29	2,50
ZEY.ARED.400-60	300/400	1,5	60	3,38	3,68
ZEY.ARED.500-60	400/500	1,5	60	4,69	5,11
ZEY.ARED.600-60	500/600	1,5	60	6,06	6,61



Mts weight tolerance : %10
Special size (dimensions) pls call us
Pls define order codes when you offer or order

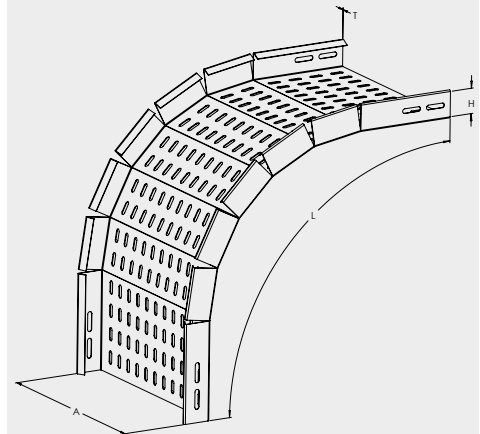
HEAVY DUTY CABLE TRAYS

INTERNAL AND EXTERNAL BEND

Order Code	Width A (mm)	Thickness T (mm)	Height H (mm)	Sendzimir Galvanization /Weight (kg/piece)	Hot Dip Galvanization /Weight (kg/piece)
ZEY.AF.50-40	50	1	40	0,76	0,83
ZEY.AF.100-40	100	1	40	0,98	1,07
ZEY.AF.150-40	150	1	40	1,21	1,32
ZEY.AF.200-40	200	1	40	1,43	1,56
ZEY.AF.250-40	250	1	40	1,66	1,80
ZEY.AF.300-40	300	1,5	40	2,82	3,07
ZEY.AF.400-40	400	1,5	40	3,49	3,80
ZEY.AF.500-40	500	1,5	40	4,16	4,54
ZEY.AF.600-40	600	1,5	40	4,83	5,27

Order Code	Width A (mm)	Thickness T (mm)	Height H (mm)	Sendzimir Galvanization /Weight (kg/piece)	Hot Dip Galvanization /Weight (kg/piece)
ZEY.AF.50-50	50	1	50	0,85	0,93
ZEY.AF.100-50	100	1	50	1,07	1,17
ZEY.AF.150-50	150	1	50	1,30	1,41
ZEY.AF.200-50	200	1	50	1,52	1,66
ZEY.AF.250-50	250	1	50	1,75	1,90
ZEY.AF.300-50	300	1,5	50	2,95	3,22
ZEY.AF.400-50	400	1,5	50	3,62	3,95
ZEY.AF.500-50	500	1,5	50	4,30	4,68
ZEY.AF.600-50	600	1,5	50	4,97	5,41

Order Code	Width A (mm)	Thickness T (mm)	Height H (mm)	Sendzimir Galvanization /Weight (kg/piece)	Hot Dip Galvanization /Weight (kg/piece)
ZEY.AF.50-60	50	1	60	0,94	1,02
ZEY.AF.100-60	100	1	60	1,16	1,27
ZEY.AF.150-60	150	1	60	1,39	1,51
ZEY.AF.200-60	200	1	60	1,61	1,76
ZEY.AF.250-60	250	1	60	1,83	2,00
ZEY.AF.300-60	300	1,5	60	3,09	3,37
ZEY.AF.400-60	400	1,5	60	3,76	4,10
ZEY.AF.500-60	500	1,5	60	4,43	4,83
ZEY.AF.600-60	600	1,5	60	5,10	5,56



Mts weight tolerance \pm %10
Special size (dimensions) pls call us
Pls define order codes when you offer or order

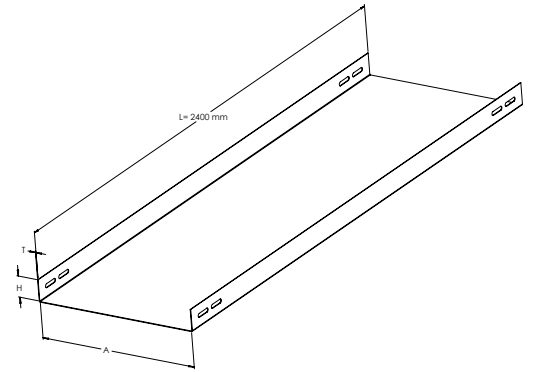
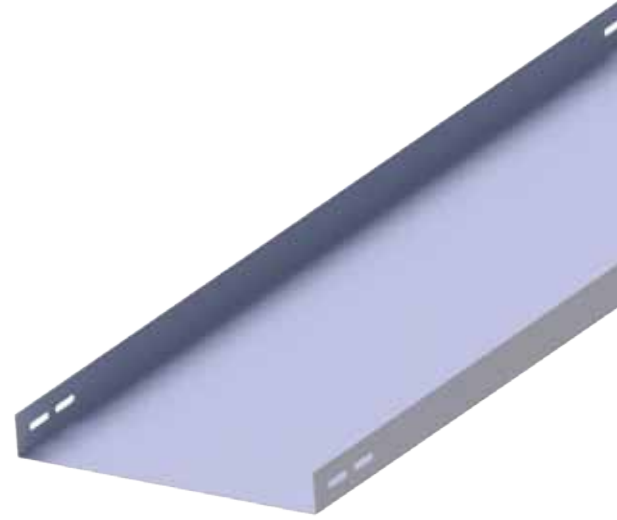


CABLE TRAY NON-PERFORATED

CABLE TRAY NON-PERFORATED

H:40 mm

Order Code	Width A (mm)	Thickness T (mm)	Height H (mm)	Sendzimir Galvanization /Weight (kg/mt)	Hot Dip Galvanization /Weight (kg/mt)
ZEY.DTK.50-10-40	50	1	40	1,00	1,09
ZEY.DTK.50-12-40	50	1,2	40	1,20	1,30
ZEY.DTK.50-15-40	50	1,5	40	1,50	1,63
ZEY.DTK.50-20-40	50	2	40	1,99	2,17
ZEY.DTK.100-10-40	100	1	40	1,39	1,51
ZEY.DTK.100-12-40	100	1,2	40	1,67	1,82
ZEY.DTK.100-15-40	100	1,5	40	2,08	2,27
ZEY.DTK.100-20-40	100	2	40	2,78	3,03
ZEY.DTK.150-10-40	150	1	40	1,78	1,94
ZEY.DTK.150-12-40	150	1,2	40	2,14	2,33
ZEY.DTK.150-15-40	150	1,5	40	2,67	2,91
ZEY.DTK.150-20-40	150	2	40	3,56	3,88
ZEY.DTK.200-10-40	200	1	40	2,16	2,35
ZEY.DTK.200-12-40	200	1,2	40	2,59	2,82
ZEY.DTK.200-15-40	200	1,5	40	3,24	3,53
ZEY.DTK.200-20-40	200	2	40	4,32	4,71
ZEY.DTK.250-10-40	250	1	40	2,55	2,78
ZEY.DTK.250-12-40	250	1,2	40	3,06	3,34
ZEY.DTK.250-15-40	250	1,5	40	3,83	4,17
ZEY.DTK.250-20-40	250	2	40	5,10	5,56
ZEY.DTK.300-12-40	300	1,2	40	3,53	3,85
ZEY.DTK.300-15-40	300	1,5	40	4,42	4,81
ZEY.DTK.300-20-40	300	2	40	5,89	6,42
ZEY.DTK.400-15-40	400	1,5	40	5,59	6,10
ZEY.DTK.400-20-40	400	2	40	7,46	8,13
ZEY.DTK.500-15-40	500	1,5	40	6,77	7,38
ZEY.DTK.500-20-40	500	2	40	9,03	9,84
ZEY.DTK.600-15-40	600	1,5	40	7,95	8,66
ZEY.DTK.600-20-40	600	2	40	10,60	11,55



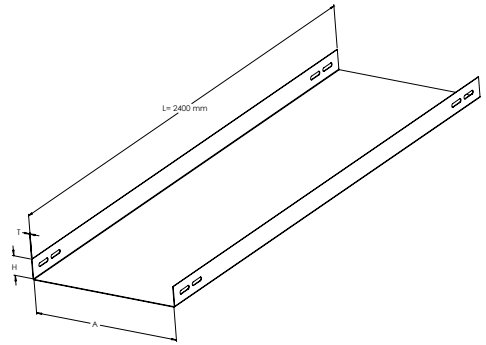
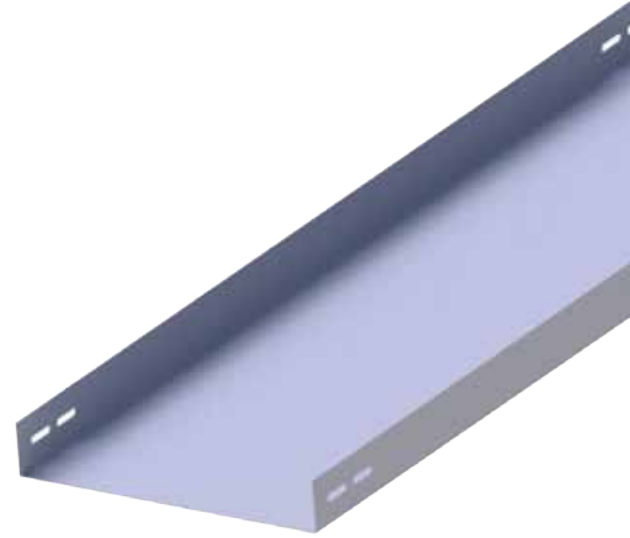
Mts weight tolerance : %10
Standard Length 2400 mm
Special size (dimensions) pls call us
Pls define order codes when you offer or order

CABLE TRAY NON-PERFORATED

CABLE TRAY NON-PERFORATED

H:50 mm

Order Code	Width A (mm)	Thickness T (mm)	Height H (mm)	Sendzimir Galvanization /Weight (kg/mt)	Hot Dip Galvanization /Weight (kg/mt)
ZEY.DTK.50-10-50	50	1	50	1,15	1,26
ZEY.DTK.50-12-50	50	1,2	50	1,38	1,51
ZEY.DTK.50-15-50	50	1,5	50	1,73	1,89
ZEY.DTK.50-20-50	50	2	50	2,31	2,52
ZEY.DTK.100-10-50	100	1	50	1,55	1,69
ZEY.DTK.100-12-50	100	1,2	50	1,86	2,02
ZEY.DTK.100-15-50	100	1,5	50	2,32	2,53
ZEY.DTK.100-20-50	100	2	50	3,09	3,37
ZEY.DTK.150-10-50	150	1	50	1,94	2,11
ZEY.DTK.150-12-50	150	1,2	50	2,33	2,54
ZEY.DTK.150-15-50	150	1,5	50	2,91	3,17
ZEY.DTK.150-20-50	150	2	50	3,88	4,23
ZEY.DTK.200-10-50	200	1	50	2,32	2,52
ZEY.DTK.200-12-50	200	1,2	50	2,78	3,03
ZEY.DTK.200-15-50	200	1,5	50	3,47	3,79
ZEY.DTK.200-20-50	200	2	50	4,63	5,05
ZEY.DTK.250-10-50	250	1	50	2,71	2,95
ZEY.DTK.250-12-50	250	1,2	50	3,25	3,54
ZEY.DTK.250-15-50	250	1,5	50	4,06	4,43
ZEY.DTK.250-20-50	250	2	50	5,42	5,90
ZEY.DTK.300-12-50	300	1,2	50	3,72	4,06
ZEY.DTK.300-15-50	300	1,5	50	4,65	5,07
ZEY.DTK.300-20-50	300	2	50	6,20	6,76
ZEY.DTK.400-15-50	400	1,5	50	5,83	6,35
ZEY.DTK.400-20-50	400	2	50	7,77	8,47
ZEY.DTK.500-15-50	500	1,5	50	7,01	7,64
ZEY.DTK.500-20-50	500	2	50	9,34	10,18
ZEY.DTK.600-15-50	600	1,5	50	8,18	8,92
ZEY.DTK.600-20-50	600	2	50	10,91	11,89



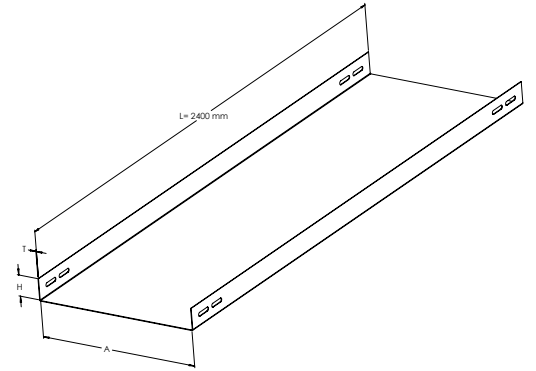
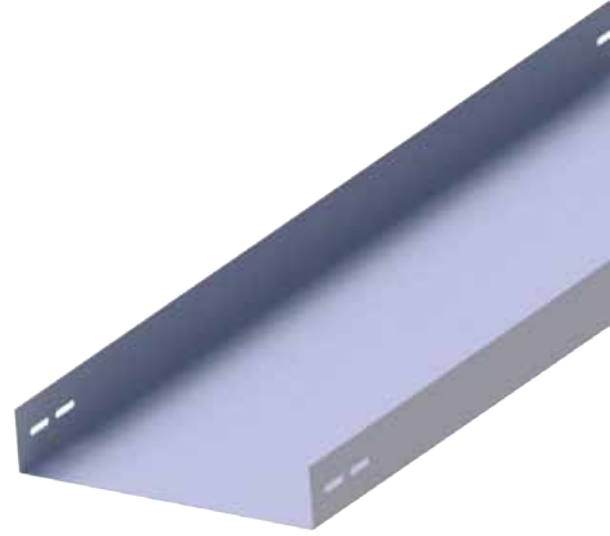
Mts weight tolerance ± %10
Standard Length 2400 mm
Special size (dimensions) pls call us
Pls define order codes when you offer or order

CABLE TRAY NON-PERFORATED

CABLE TRAY NON-PERFORATED

H:60 mm

Order Code	Width A (mm)	Thickness T (mm)	Height H (mm)	Sendzimir Galvanization /Weight (kg/mt)	Hot Dip Galvanization /Weight (kg/mt)
ZEY.DTK.50-10-60	50	1	60	1,31	1,43
ZEY.DTK.50-12-60	50	1,2	60	1,57	1,71
ZEY.DTK.50-15-60	50	1,5	60	1,97	2,14
ZEY.DTK.50-20-60	50	2	60	2,62	2,86
ZEY.DTK.100-10-60	100	1	60	1,70	1,86
ZEY.DTK.100-12-60	100	1,2	60	2,04	2,23
ZEY.DTK.100-15-60	100	1,5	60	2,56	2,79
ZEY.DTK.100-20-60	100	2	60	3,41	3,71
ZEY.DTK.150-10-60	150	1	60	2,10	2,28
ZEY.DTK.150-12-60	150	1,2	60	2,52	2,74
ZEY.DTK.150-15-60	150	1,5	60	3,14	3,43
ZEY.DTK.150-20-60	150	2	60	4,19	4,57
ZEY.DTK.200-10-60	200	1	60	2,47	2,70
ZEY.DTK.200-12-60	200	1,2	60	2,97	3,23
ZEY.DTK.200-15-60	200	1,5	60	3,71	4,04
ZEY.DTK.200-20-60	200	2	60	4,95	5,39
ZEY.DTK.250-10-60	250	1	60	2,87	3,12
ZEY.DTK.250-12-60	250	1,2	60	3,44	3,75
ZEY.DTK.250-15-60	250	1,5	60	4,30	4,68
ZEY.DTK.250-20-60	250	2	60	5,73	6,25
ZEY.DTK.300-12-60	300	1,2	60	3,91	4,26
ZEY.DTK.300-15-60	300	1,5	60	4,89	5,33
ZEY.DTK.300-20-60	300	2	60	6,52	7,10
ZEY.DTK.400-15-60	400	1,5	60	6,06	6,61
ZEY.DTK.400-20-60	400	2	60	8,09	8,81
ZEY.DTK.500-15-60	500	1,5	60	7,24	7,89
ZEY.DTK.500-20-60	500	2	60	9,66	10,52
ZEY.DTK.600-15-60	600	1,5	60	8,42	9,18
ZEY.DTK.600-20-60	600	2	60	11,23	12,24



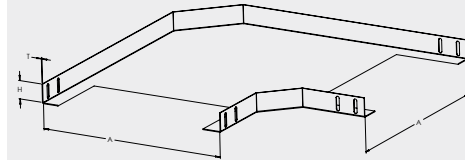
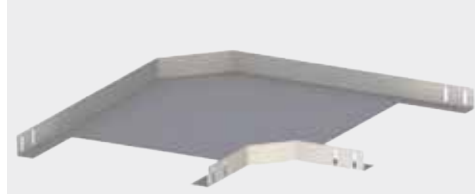
Mts weight tolerance : %10
 Standard Length 2400 mm
 Special size (dimensions) pls call us
 Pls define order codes when you offer or order

HORIZONTAL BENDS 90°

Order Code	Width A (mm)	Thickness T (mm)	Height H (mm)	Sendzimir Galvanization /Weight (kg/piece)	Hot Dip Galvanization /Weight (kg/piece)
ZEY.DTK90'.50-40	50	1	40	0,35	0,38
ZEY.DTK90'.100-40	100	1	40	0,49	0,54
ZEY.DTK90'.150-40	150	1	40	0,68	0,74
ZEY.DTK90'.200-40	200	1	40	0,90	0,99
ZEY.DTK90'.250-40	250	1	40	1,17	1,27
ZEY.DTK90'.300-40	300	1,5	40	1,29	1,41
ZEY.DTK90'.400-40	400	1,5	40	3,31	3,61
ZEY.DTK90'.500-40	500	1,5	40	4,64	5,06
ZEY.DTK90'.600-40	600	1,5	40	6,20	6,76

Order Code	Width A (mm)	Thickness T (mm)	Height H (mm)	Sendzimir Galvanization /Weight (kg/piece)	Hot Dip Galvanization /Weight (kg/piece)
ZEY.DTK90'.50-50	50	1	50	0,39	0,42
ZEY.DTK90'.100-50	100	1	50	0,54	0,59
ZEY.DTK90'.150-50	150	1	50	0,73	0,79
ZEY.DTK90'.200-50	200	1	50	0,96	1,05
ZEY.DTK90'.250-50	250	1	50	1,23	1,34
ZEY.DTK90'.300-50	300	1,5	50	2,31	2,52
ZEY.DTK90'.400-50	400	1,5	50	3,43	3,73
ZEY.DTK90'.500-50	500	1,5	50	4,77	5,20
ZEY.DTK90'.600-50	600	1,5	50	6,36	6,93

Order Code	Width A (mm)	Thickness T (mm)	Height H (mm)	Sendzimir Galvanization /Weight (kg/piece)	Hot Dip Galvanization /Weight (kg/piece)
ZEY.DTK90'.50-60	50	1	60	0,42	0,46
ZEY.DTK90'.100-60	100	1	60	0,58	0,63
ZEY.DTK90'.150-60	150	1	60	0,78	0,85
ZEY.DTK90'.200-60	200	1	60	1,02	1,11
ZEY.DTK90'.250-60	250	1	60	1,29	1,41
ZEY.DTK90'.300-60	300	1,5	60	1,93	2,10
ZEY.DTK90'.400-60	400	1,5	60	3,54	3,86
ZEY.DTK90'.500-60	500	1,5	60	4,91	5,35
ZEY.DTK90'.600-60	600	1,5	60	6,51	7,10



Mts weight tolerance - %10
Special size (dimensions) pls call us
Pls define order codes when you offer or order

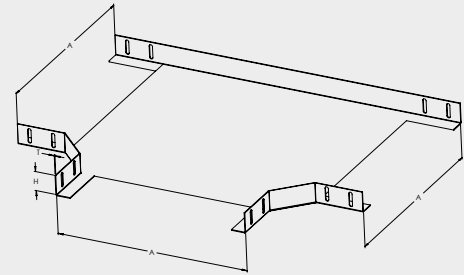
CABLE TRAY NON-PERFORATED

HORIZONTAL TEES

Order Code	Width A (mm)	Thickness T (mm)	Height H (mm)	Sendzimir Galvanization /Weight (kg/piece)	Hot Dip Galvanization /Weight (kg/piece)
ZEY.DTKT.50-40	50	1	40	0,48	0,52
ZEY.DTKT.100-40	100	1	40	0,64	0,69
ZEY.DTKT.150-40	150	1	40	0,84	0,91
ZEY.DTKT.200-40	200	1	40	1,07	1,17
ZEY.DTKT.250-40	250	1	40	1,35	1,47
ZEY.DTKT.300-40	300	1,5	40	2,50	2,72
ZEY.DTKT.400-40	400	1,5	40	3,62	3,95
ZEY.DTKT.500-40	500	1,5	40	4,98	5,43
ZEY.DTKT.600-40	600	1,5	40	6,58	7,17

Order Code	Width A (mm)	Thickness T (mm)	Height H (mm)	Sendzimir Galvanization /Weight (kg/piece)	Hot Dip Galvanization /Weight (kg/piece)
ZEY.DTKT.50-50	50	1	50	0,53	0,58
ZEY.DTKT.100-50	100	1	50	0,69	0,76
ZEY.DTKT.150-50	150	1	50	0,90	0,98
ZEY.DTKT.200-50	200	1	50	1,14	1,24
ZEY.DTKT.250-50	250	1	50	1,42	1,55
ZEY.DTKT.300-50	300	1,5	50	2,09	2,27
ZEY.DTKT.500-50	500	1,5	50	3,74	4,08
ZEY.DTKT.500-50	500	1,5	50	5,11	5,57
ZEY.DTKT.600-50	600	1,5	50	6,72	7,33

Order Code	Width A (mm)	Thickness T (mm)	Height H (mm)	Sendzimir Galvanization /Weight (kg/piece)	Hot Dip Galvanization /Weight (kg/piece)
ZEY.DTKT.50-60	50	1	60	0,58	0,64
ZEY.DTKT.100-60	100	1	60	0,75	0,82
ZEY.DTKT.150-60	150	1	60	0,96	1,04
ZEY.DTKT.200-60	200	1	60	1,20	1,31
ZEY.DTKT.250-60	250	1	60	1,49	1,62
ZEY.DTKT.300-60	300	1,5	60	2,17	2,37
ZEY.DTKT.400-60	400	1,5	60	3,86	4,21
ZEY.DTKT.500-60	500	1,5	60	5,25	5,72
ZEY.DTKT.600-60	600	1,5	60	6,87	7,48



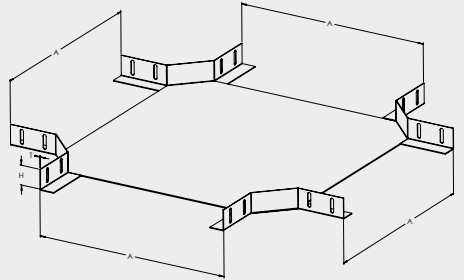
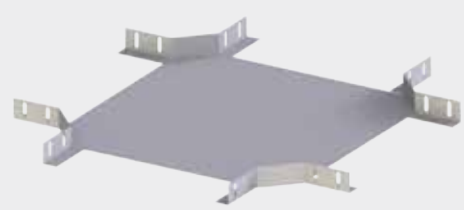
Mts weight tolerance : %10
Special size (dimensions) pls call us
Pls define order codes when you offer or order

HORIZONTAL CROSSING

Order Code	Width A (mm)	Thickness T (mm)	Height H (mm)	Sendzimir Galvanization /Weight (kg/piece)	Hot Dip Galvanization /Weight (kg/piece)
ZEY.DTKX.50-40	50	1	40	0,62	0,68
ZEY.DTKX.100-40	100	1	40	0,78	0,85
ZEY.DTKX.150-40	150	1	40	0,98	1,07
ZEY.DTKX.200-40	200	1	40	1,22	1,33
ZEY.DTKX.250-40	250	1	40	1,50	1,64
ZEY.DTKX.300-40	300	1,5	40	2,73	2,97
ZEY.DTKX.400-40	400	1,5	40	3,86	4,21
ZEY.DTKX.500-40	500	1,5	40	5,22	5,69
ZEY.DTKX.600-40	600	1,5	40	6,83	7,44

Order Code	Width A (mm)	Thickness T (mm)	Height H (mm)	Sendzimir Galvanization /Weight (kg/piece)	Hot Dip Galvanization /Weight (kg/piece)
ZEY.DTKX.50-50	50	1	50	0,68	0,74
ZEY.DTKX.100-50	100	1	50	0,84	0,92
ZEY.DTKX.150-50	150	1	50	1,04	1,14
ZEY.DTKX.200-50	200	1	50	1,28	1,40
ZEY.DTKX.250-50	250	1	50	1,56	1,70
ZEY.DTKX.300-50	300	1,5	50	2,82	3,07
ZEY.DTKX.400-50	400	1,5	50	3,95	4,31
ZEY.DTKX.500-50	500	1,5	50	5,32	5,79
ZEY.DTKX.600-50	600	1,5	50	6,92	7,54

Order Code	Width A (mm)	Thickness T (mm)	Height H (mm)	Sendzimir Galvanization /Weight (kg/piece)	Hot Dip Galvanization /Weight (kg/piece)
ZEY.DTKX.50-60	50	1	60	0,74	0,81
ZEY.DTKX.100-60	100	1	60	0,91	0,99
ZEY.DTKX.150-60	150	1	60	1,11	1,20
ZEY.DTKX.200-60	200	1	60	1,34	1,47
ZEY.DTKX.250-60	250	1	60	1,62	1,77
ZEY.DTKX.300-60	300	1,5	60	2,91	3,17
ZEY.DTKX.400-60	400	1,5	60	4,04	4,41
ZEY.DTKX.500-60	500	1,5	60	5,41	5,90
ZEY.DTKX.600-60	600	1,5	60	7,01	7,64



Mts weight tolerance \pm %10
Special size (dimensions) pls call us
Pls define order codes when you offer or order

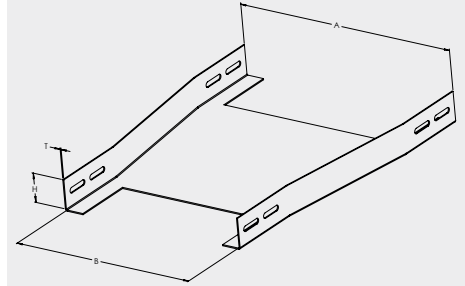
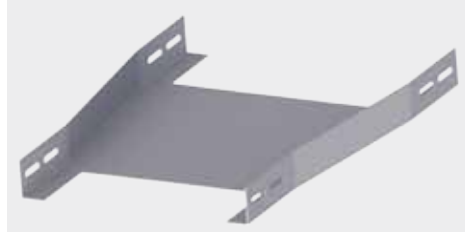
CABLE TRAY NON-PERFORATED

REDUCING ANGLES

Order Code	Width B/A (mm)	Thickness T (mm)	Height H (mm)	Sendzimir Galvanization /Weight (kg/piece)	Hot Dip Galvanization /Weight (kg/piece)
ZEY.DTKRED.100-40	50/100	1	40	0,39	0,42
ZEY.DTKRED.150-40	100/150	1	40	0,56	0,61
ZEY.DTKRED.200-40	150/200	1	40	0,77	0,84
ZEY.DTKRED.250-40	200/250	1	40	1,02	1,12
ZEY.DTKRED.300-40	250/300	1	40	1,97	2,15
ZEY.DTKRED.400-40	300/400	1,5	40	3,02	3,29
ZEY.DTKRED.500-40	400/500	1,5	40	4,32	4,71
ZEY.DTKRED.600-40	500/600	1,5	40	5,72	6,24

Order Code	Width B/A (mm)	Thickness T (mm)	Height H (mm)	Sendzimir Galvanization /Weight (kg/piece)	Hot Dip Galvanization /Weight (kg/piece)
ZEY.DTKRED.100-50	50/100	1	50	0,43	0,47
ZEY.DTKRED.150-50	100/150	1	50	0,61	0,67
ZEY.DTKRED.200-50	150/200	1	50	0,83	0,91
ZEY.DTKRED.250-50	200/250	1	50	1,09	1,19
ZEY.DTKRED.300-50	250/300	1	50	2,08	2,27
ZEY.DTKRED.400-50	300/400	1,5	50	3,15	3,44
ZEY.DTKRED.500-50	400/500	1,5	50	4,47	4,88
ZEY.DTKRED.600-50	500/600	1,5	50	5,89	6,42

Order Code	Width B/A (mm)	Thickness T (mm)	Height H (mm)	Sendzimir Galvanization /Weight (kg/piece)	Hot Dip Galvanization /Weight (kg/piece)
ZEY.DTKRED.100-60	50/100	1	60	0,47	0,52
ZEY.DTKRED.150-60	100/150	1	60	0,66	0,72
ZEY.DTKRED.200-60	150/200	1	60	0,89	0,97
ZEY.DTKRED.250-60	200/250	1	60	1,16	1,26
ZEY.DTKRED.300-60	250/300	1	60	2,19	2,39
ZEY.DTKRED.400-60	300/400	1,5	60	3,29	3,58
ZEY.DTKRED.500-60	400/500	1,5	60	4,63	5,05
ZEY.DTKRED.600-60	500/600	1,5	60	6,05	6,60



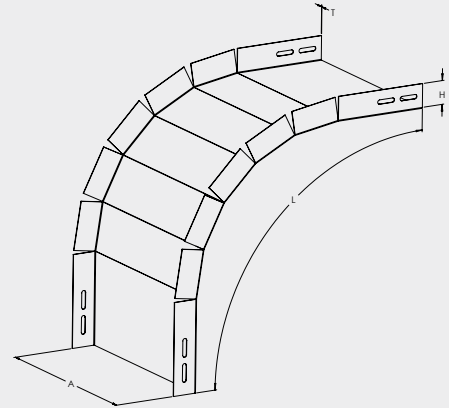
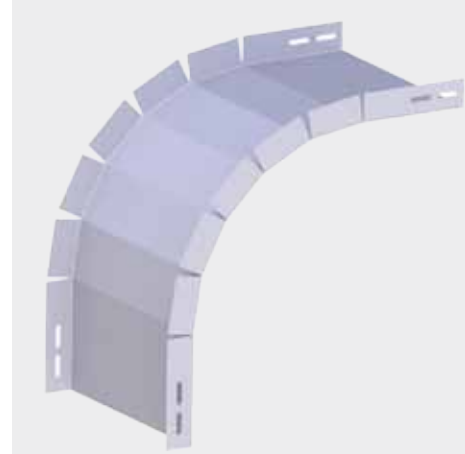
Mts weight tolerance - %10
Special size (dimensions) pls call us
Pls define order codes when you offer or order

INTERNAL AND EXTERNAL BEND

Order Code	Width A (mm)	Thickness T (mm)	Height H (mm)	Sendzimir Galvanization /Weight (kg/piece)	Hot Dip Galvanization /Weight (kg/piece)
ZEY.DTKF.50-40	50	1	40	0,71	0,77
ZEY.DTKF.100-40	100	1	40	0,94	1,03
ZEY.DTKF.150-40	150	1	40	1,18	1,28
ZEY.DTKF.200-40	200	1	40	1,41	1,54
ZEY.DTKF.250-40	250	1	40	1,65	1,80
ZEY.DTKF.300-40	300	1,5	40	2,83	3,08
ZEY.DTKF.400-40	400	1,5	40	3,53	3,85
ZEY.DTKF.500-40	500	1,5	40	4,24	4,62
ZEY.DTKF.600-40	600	1,5	40	4,95	5,39

Order Code	Width A (mm)	Thickness T (mm)	Height H (mm)	Sendzimir Galvanization /Weight (kg/piece)	Hot Dip Galvanization /Weight (kg/piece)
ZEY.DTKF.50-50	50	1	50	0,80	0,87
ZEY.DTKF.100-50	100	1	50	1,04	1,13
ZEY.DTKF.150-50	150	1	50	1,27	1,39
ZEY.DTKF.200-50	200	1	50	1,51	1,64
ZEY.DTKF.250-50	250	1	50	1,74	1,90
ZEY.DTKF.300-50	300	1,5	50	2,97	3,23
ZEY.DTKF.400-50	400	1,5	50	3,67	4,00
ZEY.DTKF.500-50	500	1,5	50	4,38	4,77
ZEY.DTKF.600-50	600	1,5	50	5,09	5,54

Order Code	Width A (mm)	Thickness T (mm)	Height H (mm)	Sendzimir Galvanization /Weight (kg/piece)	Hot Dip Galvanization /Weight (kg/piece)
ZEY.DTKF.50-60	50	1	60	0,89	0,98
ZEY.DTKF.100-60	100	1	60	1,13	1,23
ZEY.DTKF.150-60	150	1	60	1,37	1,49
ZEY.DTKF.200-60	200	1	60	1,60	1,75
ZEY.DTKF.250-60	250	1	60	1,84	2,00
ZEY.DTKF.300-60	300	1,5	60	3,11	3,39
ZEY.DTKF.400-60	400	1,5	60	3,82	4,16
ZEY.DTKF.500-60	500	1,5	60	4,52	4,93
ZEY.DTKF.600-60	600	1,5	60	5,23	5,70



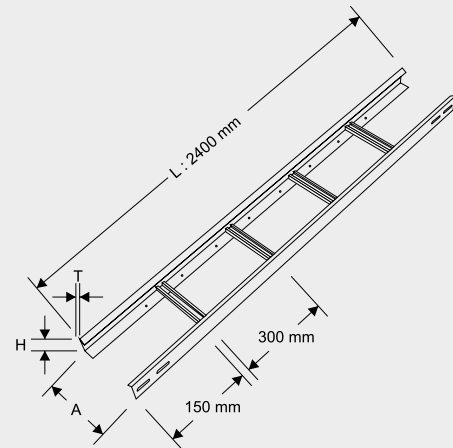
Mts weight tolerance - %10
Special size (dimensions) pls call us
Pls define order codes when you offer or order



CABLE LADDERS

H:50 mm

Order Code	Width A (mm)	Thickness T (mm)	Height H (mm)	Sendzimir Galvanization /Weight (kg/mt)	Hot Dip Galvanization /Weight (kg/mt)
ZEY.KM.100-12-50	100	1,2	50	1,76	1,92
ZEY.KM.100-15-50	100	1,5	50	2,20	2,40
ZEY.KM.100-20-50	100	2	50	2,93	3,20
ZEY.KM.150-12-50	150	1,2	50	1,84	2,01
ZEY.KM.150-15-50	150	1,5	50	2,30	2,51
ZEY.KM.150-20-50	150	2	50	3,07	3,34
ZEY.KM.200-12-50	200	1,2	50	1,92	2,09
ZEY.KM.200-15-50	200	1,5	50	2,40	2,62
ZEY.KM.200-20-50	200	2	50	3,20	3,49
ZEY.KM.250-12-50	250	1,2	50	2,00	2,18
ZEY.KM.250-15-50	250	1,5	50	2,50	2,72
ZEY.KM.250-20-50	250	2	50	3,33	3,63
ZEY.KM.300-12-50	300	1,2	50	2,08	2,27
ZEY.KM.300-15-50	300	1,5	50	2,60	2,83
ZEY.KM.300-20-50	300	2	50	3,47	3,78
ZEY.KM.400-12-50	400	1,2	50	2,24	2,44
ZEY.KM.400-15-50	400	1,5	50	2,80	3,05
ZEY.KM.400-20-50	400	2	50	3,73	4,07
ZEY.KM.500-12-50	500	1,2	50	2,40	2,61
ZEY.KM.500-15-50	500	1,5	50	3,00	3,27
ZEY.KM.500-20-50	500	2	50	4,00	4,36
ZEY.KM.600-12-50	600	1,2	50	2,56	2,79
ZEY.KM.600-15-50	600	1,5	50	3,20	3,48
ZEY.KM.600-20-50	600	2	50	4,26	4,65



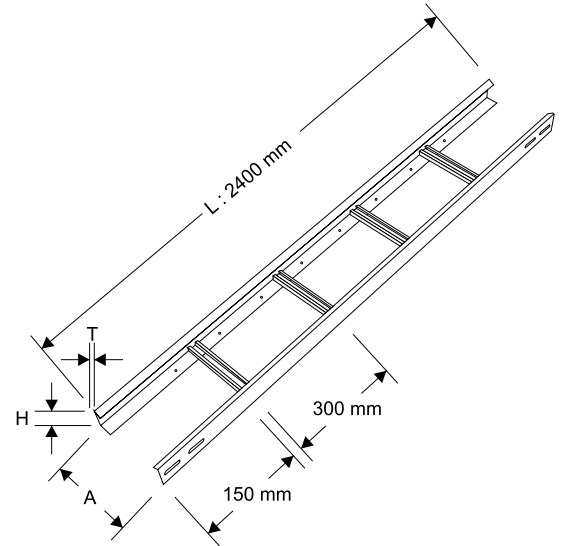
Mts weight tolerance : %10
 Standard Length 2400 mm
 Special size (dimensions) pls call us
 Pls define order codes when you offer or order

CABLE LADDERS

CABLE LADDERS

H:60 mm

Order Code	Width A (mm)	Thickness T (mm)	Height H (mm)	Sendzimir Galvanization /Weight (kg/mt)	Hot Dip Galvanization /Weight (kg/mt)
ZEY.KM.100-12-60	100	1,2	60	1,95	2,12
ZEY.KM.100-15-60	100	1,5	60	2,44	2,66
ZEY.KM.100-20-60	100	2	60	3,25	3,54
ZEY.KM.150-12-60	150	1,2	60	2,03	2,21
ZEY.KM.150-15-60	150	1,5	60	2,54	2,76
ZEY.KM.150-20-60	150	2	60	3,38	3,69
ZEY.KM.200-12-60	200	1,2	60	2,11	2,30
ZEY.KM.200-15-60	200	1,5	60	2,64	2,87
ZEY.KM.200-20-60	200	2	60	3,51	3,83
ZEY.KM.250-12-60	250	1,2	60	2,19	2,39
ZEY.KM.250-15-60	250	1,5	60	2,74	2,98
ZEY.KM.250-20-60	250	2	60	3,65	3,98
ZEY.KM.300-12-60	300	1,2	60	2,27	2,47
ZEY.KM.300-15-60	300	1,5	60	2,83	3,09
ZEY.KM.300-20-60	300	2	60	3,78	4,12
ZEY.KM.400-12-60	400	1,2	60	2,43	2,65
ZEY.KM.400-15-60	400	1,5	60	3,03	3,31
ZEY.KM.400-20-60	400	2	60	4,05	4,41
ZEY.KM.500-12-60	500	1,2	60	2,59	2,82
ZEY.KM.500-15-60	500	1,5	60	3,23	3,52
ZEY.KM.500-20-60	500	2	60	4,31	4,70
ZEY.KM.600-12-60	600	1,2	60	2,75	2,99
ZEY.KM.600-15-60	600	1,5	60	3,43	3,74
ZEY.KM.600-20-60	600	2	60	4,58	4,99

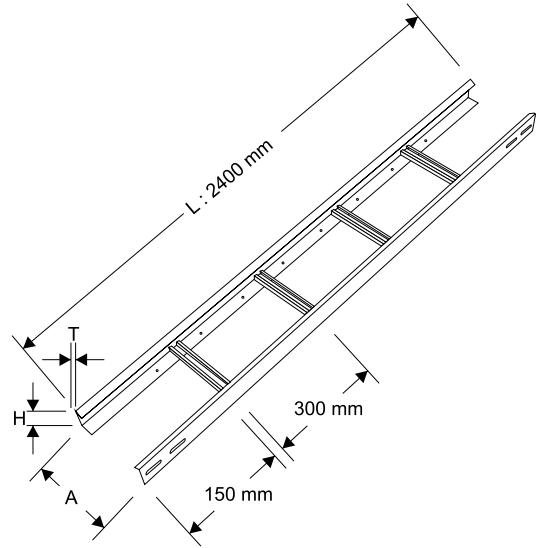
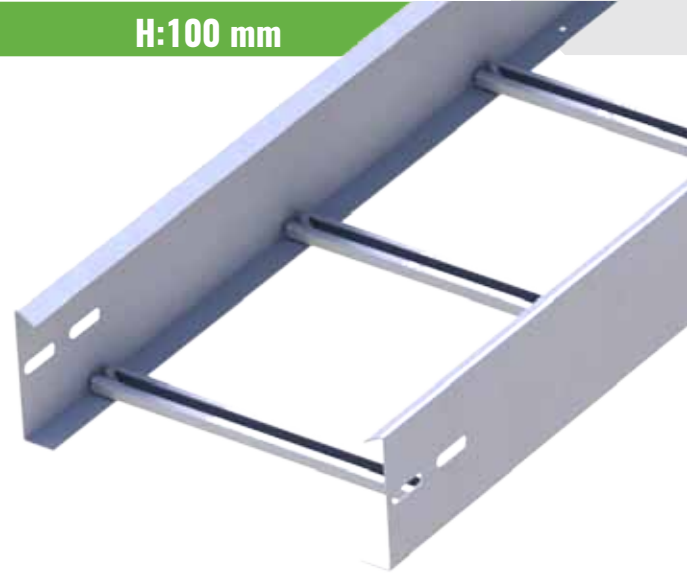


Mts weight tolerance : %10
 Standard Length 2400 mm
 Special size (dimensions) pls call us
 Pls define order codes when you offer or order

CABLE LADDERS

H:100 mm

Order Code	Width A (mm)	Thickness T (mm)	Height H (mm)	Senzimir Galvanization /Weight (kg/mt)	Hot Dip Galvanization /Weight (kg/mt)
ZEY.KM.100-12-100	100	1,2	100	2,73	2,97
ZEY.KM.100-15-100	100	1,5	100	3,41	3,71
ZEY.KM.100-20-100	100	2	100	4,54	4,95
ZEY.KM.150-12-100	150	1,2	100	2,82	3,07
ZEY.KM.150-15-100	150	1,5	100	3,52	3,84
ZEY.KM.150-20-100	150	2	100	4,69	5,12
ZEY.KM.200-12-100	200	1,2	100	2,91	3,17
ZEY.KM.200-15-100	200	1,5	100	3,63	3,96
ZEY.KM.200-20-100	200	2	100	4,85	5,28
ZEY.KM.250-12-100	250	1,2	100	3,00	3,27
ZEY.KM.250-15-100	250	1,5	100	3,75	4,09
ZEY.KM.250-20-100	250	2	100	5,00	5,45
ZEY.KM.300-12-100	300	1,2	100	3,09	3,37
ZEY.KM.300-15-100	300	1,5	100	3,86	4,21
ZEY.KM.300-20-100	300	2	100	5,15	5,61
ZEY.KM.400-12-100	400	1,2	100	3,27	3,57
ZEY.KM.400-15-100	400	1,5	100	4,09	4,46
ZEY.KM.400-20-100	400	2	100	5,45	5,94
ZEY.KM.500-12-100	500	1,2	100	3,45	3,76
ZEY.KM.500-15-100	500	1,5	100	4,32	4,71
ZEY.KM.500-20-100	500	2	100	5,76	6,27
ZEY.KM.600-12-100	600	1,2	100	3,64	3,96
ZEY.KM.600-15-100	600	1,5	100	4,55	4,95
ZEY.KM.600-20-100	600	2	100	6,06	6,61



Mts weight tolerance \pm %10
 Standard Length 2400 mm
 Special size (dimensions) pls call us
 Pls define order codes when you offer or order

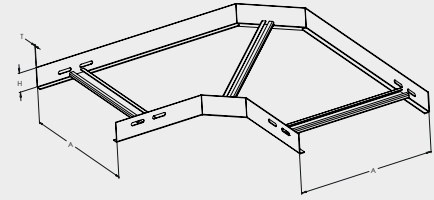
CABLE LADDERS

HORIZONTAL BENDS 90 °

Order Code	Width A (mm)	Thickness T (mm)	Height H (mm)	Sendzimir Galvanization /Weight (kg/piece)	Hot Dip Galvanization /Weight (kg/piece)
ZEY.KM90'.100-50	100	1,2	50	0,55	0,60
ZEY.KM90'.150-50	150	1,2	50	0,70	0,76
ZEY.KM90'.200-50	200	1,2	50	0,80	0,87
ZEY.KM90'.250-50	250	1,2	50	0,90	0,98
ZEY.KM90'.300-50	300	1,5	50	1,50	1,64
ZEY.KM90'.400-50	400	1,5	50	1,90	2,07
ZEY.KM90'.500-50	500	1,5	50	2,65	2,89
ZEY.KM90'.600-50	600	1,5	50	3,10	3,38

Order Code	Width A (mm)	Thickness T (mm)	Height H (mm)	Sendzimir Galvanization /Weight (kg/piece)	Hot Dip Galvanization /Weight (kg/piece)
ZEY.KM90'.100-60	100	1,2	60	0,61	0,67
ZEY.KM90'.150-60	150	1,2	60	0,74	0,80
ZEY.KM90'.200-60	200	1,2	60	0,86	0,94
ZEY.KM90'.250-60	250	1,2	60	0,99	1,08
ZEY.KM90'.300-60	300	1,5	60	1,61	1,76
ZEY.KM90'.400-60	400	1,5	60	1,99	2,17
ZEY.KM90'.500-60	500	1,5	60	2,73	2,98
ZEY.KM90'.600-60	600	1,5	60	3,19	3,48

Order Code	Width A (mm)	Thickness T (mm)	Height H (mm)	Sendzimir Galvanization /Weight (kg/piece)	Hot Dip Galvanization /Weight (kg/piece)
ZEY.KM90'.100-100	100	1,2	100	0,82	0,90
ZEY.KM90'.150-100	150	1,2	100	0,98	1,07
ZEY.KM90'.200-100	200	1,2	100	1,13	1,24
ZEY.KM90'.250-100	250	1,2	100	1,29	1,41
ZEY.KM90'.300-100	300	1,5	100	1,62	1,77
ZEY.KM90'.400-100	400	1,5	100	2,49	2,71
ZEY.KM90'.500-100	500	1,5	100	3,31	3,60
ZEY.KM90'.600-100	600	1,5	100	3,85	4,20



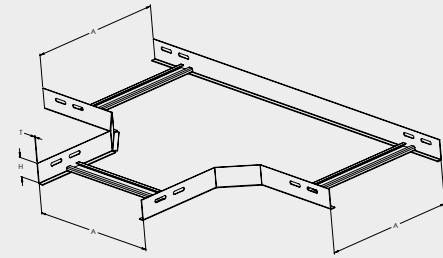
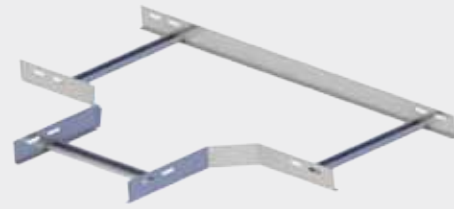
Mts weight tolerance : %10
Special size (dimensions) pls call us
Pls define order codes when you offer or order

HORIZONTAL TEES

Order Code	Width A (mm)	Thickness T (mm)	Height H (mm)	Sendzimir Galvanization /Weight (kg/piece)	Hot Dip Galvanization /Weight (kg/piece)
ZEY.KMT.100-50	100	1,2	50	0,70	0,76
ZEY.KMT.150-50	150	1,2	50	0,85	0,93
ZEY.KMT.200-50	200	1,2	50	1,00	1,09
ZEY.KMT.250-50	250	1,2	50	1,10	1,20
ZEY.KMT.300-50	300	1,5	50	1,40	1,53
ZEY.KMT.400-50	400	1,5	50	2,40	2,62
ZEY.KMT.500-50	500	1,5	50	2,85	3,11
ZEY.KMT.600-50	600	1,5	50	3,20	3,49

Order Code	Width A (mm)	Thickness T (mm)	Height H (mm)	Sendzimir Galvanization /Weight (kg/piece)	Hot Dip Galvanization /Weight (kg/piece)
ZEY.KMT.100-60	100	1,2	60	0,80	0,87
ZEY.KMT.150-60	150	1,2	60	0,93	1,01
ZEY.KMT.200-60	200	1,2	60	1,05	1,15
ZEY.KMT.250-60	250	1,2	60	1,18	1,29
ZEY.KMT.300-60	300	1,5	60	1,47	1,60
ZEY.KMT.400-60	400	1,5	60	2,50	2,72
ZEY.KMT.500-60	500	1,5	60	2,95	3,21
ZEY.KMT.600-60	600	1,5	60	3,40	3,71

Order Code	Width A (mm)	Thickness T (mm)	Height H (mm)	Sendzimir Galvanization /Weight (kg/piece)	Hot Dip Galvanization /Weight (kg/piece)
ZEY.KMT.100-100	100	1,2	100	1,07	1,16
ZEY.KMT.150-100	150	1,2	100	1,21	1,32
ZEY.KMT.200-100	200	1,2	100	1,36	1,48
ZEY.KMT.250-100	250	1,2	100	1,50	1,64
ZEY.KMT.300-100	300	1,5	100	1,81	1,98
ZEY.KMT.400-100	400	1,5	100	2,97	3,24
ZEY.KMT.500-100	500	1,5	100	3,47	3,78
ZEY.KMT.600-100	600	1,5	100	3,97	4,33



Mts weight tolerance : %10
Special size (dimensions) pls call us
Pls define order codes when you offer or order

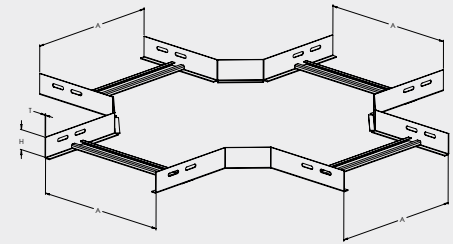
CABLE LADDERS

HORIZONTAL CROSSING

Order Code	Width A (mm)	Thickness T (mm)	Height H (mm)	Sendzimir Galvanization /Weight (kg/piece)	Hot Dip Galvanization /Weight (kg/piece)
ZEY.KMX.100-50	100	1,2	50	0,80	0,87
ZEY.KMX.150-50	150	1,2	50	0,90	0,98
ZEY.KMX.200-50	200	1,2	50	1,00	1,09
ZEY.KMX.250-50	250	1,2	50	1,13	1,23
ZEY.KMX.300-50	300	1,5	50	1,95	2,13
ZEY.KMX.400-50	400	1,5	50	2,40	2,62
ZEY.KMX.500-50	500	1,5	50	2,80	3,05
ZEY.KMX.600-50	600	1,5	50	3,15	3,43

Order Code	Width A (mm)	Thickness T (mm)	Height H (mm)	Sendzimir Galvanization /Weight (kg/piece)	Hot Dip Galvanization /Weight (kg/piece)
ZEY.KMX.100-60	100	1,2	60	0,90	0,98
ZEY.KMX.150-60	150	1,2	60	1,01	1,10
ZEY.KMX.200-60	200	1,2	60	1,12	1,22
ZEY.KMX.250-60	250	1,2	60	1,23	1,34
ZEY.KMX.300-60	300	1,5	60	2,08	2,27
ZEY.KMX.400-60	400	1,5	60	2,49	2,71
ZEY.KMX.500-60	500	1,5	60	2,90	3,16
ZEY.KMX.600-60	600	1,5	60	3,31	3,61

Order Code	Width A (mm)	Thickness T (mm)	Height H (mm)	Sendzimir Galvanization /Weight (kg/piece)	Hot Dip Galvanization /Weight (kg/piece)
ZEY.KMX.100-100	100	1,2	100	1,19	1,29
ZEY.KMX.150-100	150	1,2	100	1,29	1,41
ZEY.KMX.200-100	200	1,2	100	1,40	1,53
ZEY.KMX.250-100	250	1,2	100	1,51	1,65
ZEY.KMX.300-100	300	1,5	100	2,44	2,66
ZEY.KMX.400-100	400	1,5	100	2,85	3,10
ZEY.KMX.500-100	500	1,5	100	3,26	3,55
ZEY.KMX.600-100	600	1,5	100	3,67	4,00



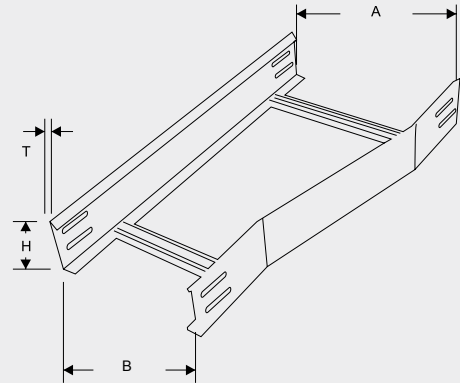
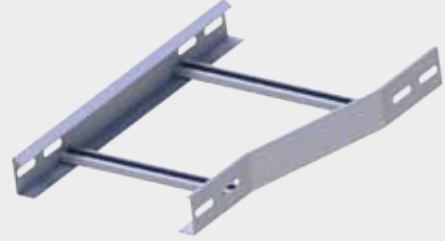
Mts weight tolerance : %10
Special size (dimensions) pls call us
Pls define order codes when you offer or order

REDUCING ANGLES

Order Code	Width A/B (mm)	Thickness T (mm)	Height H (mm)	Sendzimir Galvanization /Weight (kg/piece)	Hot Dip Galvanization /Weight (kg/piece)
ZEY.KMR.150-50	150/100	1,2	50	0,90	0,98
ZEY.KMR.200-50	200/150	1,2	50	1,15	1,25
ZEY.KMR.250-50	250/200	1,2	50	1,25	1,36
ZEY.KMR.300-50	300/250	1,5	50	1,70	1,85
ZEY.KMR.400-50	400/300	1,5	50	2,30	2,51
ZEY.KMR.500-50	500/400	1,5	50	2,50	2,73
ZEY.KMR.600-50	600/500	1,5	50	3,00	3,27

Order Code	Width A/B (mm)	Thickness T (mm)	Height H (mm)	Sendzimir Galvanization /Weight (kg/piece)	Hot Dip Galvanization /Weight (kg/piece)
ZEY.KMR.150-60	150/100	1,2	60	0,98	1,07
ZEY.KMR.200-60	200/150	1,2	60	1,29	1,41
ZEY.KMR.250-60	250/200	1,2	60	1,38	1,50
ZEY.KMR.300-60	300/250	1,5	60	1,82	1,99
ZEY.KMR.400-60	400/300	1,5	60	2,44	2,65
ZEY.KMR.500-60	500/400	1,5	60	2,71	2,95
ZEY.KMR.600-60	600/500	1,5	60	3,21	3,49

Order Code	Width A/B (mm)	Thickness T (mm)	Height H (mm)	Sendzimir Galvanization /Weight (kg/piece)	Hot Dip Galvanization /Weight (kg/piece)
ZEY.KMR.150-100	150/100	1,2	100	1,29	1,40
ZEY.KMR.200-100	200/150	1,2	100	1,70	1,85
ZEY.KMR.250-100	250/200	1,2	100	1,78	1,94
ZEY.KMR.300-100	300/250	1,5	100	2,33	2,54
ZEY.KMR.400-100	400/300	1,5	100	3,00	3,27
ZEY.KMR.500-100	500/400	1,5	100	3,27	3,57
ZEY.KMR.600-100	600/500	1,5	100	3,86	4,21



Mts weight tolerance : %10
Special size (dimensions) pls call us
Pls define order codes when you offer or order

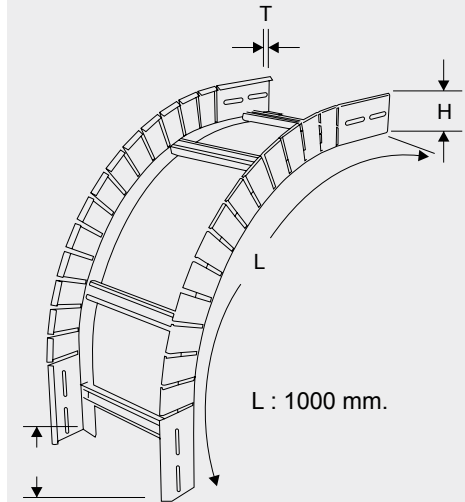
CABLE LADDERS

INTERNAL AND EXTERNAL BEND

Order Code	Width A (mm)	Thickness T (mm)	Height H (mm)	Sendzimir Galvanization /Weight (kg/piece)	Hot Dip Galvanization /Weight (kg/piece)
ZEY.KMF.100-50	100	1	50	1,50	1,64
ZEY.KMF.150-50	150	1	50	1,60	1,74
ZEY.KMF.200-50	200	1	50	1,70	1,85
ZEY.KMF.250-50	250	1	50	1,80	1,96
ZEY.KMF.300-50	300	1,2	50	2,20	2,40
ZEY.KMF.400-50	400	1,2	50	2,50	2,73
ZEY.KMF.500-50	500	1,2	50	2,90	3,16
ZEY.KMF.600-50	600	1,2	50	3,20	3,49

Order Code	Width A (mm)	Thickness T (mm)	Height H (mm)	Sendzimir Galvanization /Weight (kg/piece)	Hot Dip Galvanization /Weight (kg/piece)
ZEY.KMF.100-60	100	1	60	1,67	1,82
ZEY.KMF.150-60	150	1	60	1,76	1,92
ZEY.KMF.200-60	200	1	60	1,86	2,02
ZEY.KMF.250-60	250	1	60	1,95	2,12
ZEY.KMF.300-60	300	1,2	60	2,45	2,67
ZEY.KMF.400-60	400	1,2	60	2,88	3,14
ZEY.KMF.500-60	500	1,2	60	3,16	3,44
ZEY.KMF.600-60	600	1,2	60	3,43	3,74

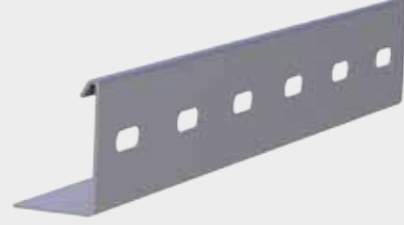
Order Code	Width A (mm)	Thickness T (mm)	Height H (mm)	Sendzimir Galvanization /Weight (kg/piece)	Hot Dip Galvanization /Weight (kg/piece)
ZEY.KMF.100-100	100	1	100	2,30	2,51
ZEY.KMF.150-100	150	1	100	2,39	2,61
ZEY.KMF.200-100	200	1	100	2,48	2,71
ZEY.KMF.250-100	250	1	100	2,57	2,81
ZEY.KMF.300-100	300	1,2	100	3,20	3,49
ZEY.KMF.400-100	400	1,2	100	3,64	3,96
ZEY.KMF.500-100	500	1,2	100	3,91	4,26
ZEY.KMF.600-100	600	1,2	100	4,18	4,56



Mts weight tolerance : %10
 Special size (dimensions) pls call us
 Pls define order codes when you offer or order

STRAIGHT JOINTING PIECE

Order Code	Thickness T (mm)	Height H (mm)	Sendzimir Galvanization /Weight (kg/piece)	Hot Dip Galvanization /Weight (kg/piece)
ZEY.KMEK.50	1,5	50	0,16	0,18
ZEY.KMEK.60	1,5	60	0,19	0,21
ZEY.KMEK.100	1,5	100	0,24	0,27



LADDER JOINTING CLAMP

Order Code	Thickness T (mm)	Height H (mm)	Sendzimir Galvanization /Weight (kg/piece)	Hot Dip Galvanization /Weight (kg/piece)
ZEY.KMY.80	1,5	120	0,11	0,12
ZEY.KMY.160	1,5	120	0,23	0,25



HINGE (LEVELING) PIECE

Order Code	Thickness T (mm)	Height H (mm)	Sendzimir Galvanization /Weight (kg/piece)	Hot Dip Galvanization /Weight (kg/piece)
ZEY.KMS.60	1,5	60	0,19	0,21
ZEY.KMS.100	1,5	100	0,24	0,26



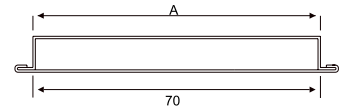
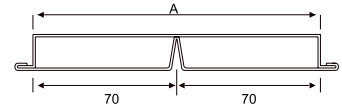
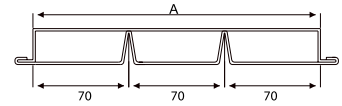
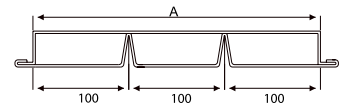
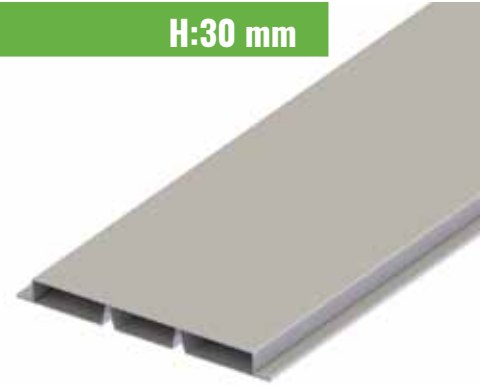
Mts weight tolerance \pm %10
 Special size (dimensions) pls call us
 Pls define order codes when you offer or order

UNDER FLOOR CABLE TRAYS

UNDER FLOOR CABLE TRAYS

H:30 mm

Order Code	Channel	Width A (mm)	Thickness T (mm)	Height H (mm)	Sendzimir Galvanization /Weight (kg/mt)
ZEY.DAKK-70-30-2400	1	70	1,2	30	2,64
ZEY.DAKK-140-30-2400	2	140	1,2	30	4,24
ZEY.DAKK-210-30-2400	3	210	1,2	30	6,69
ZEY.DAKK-300-30-2400	3	300	1,2	30	7,91



UNDER FLOOR CABLE TRAYS

H:40 mm

Order Code	Channel	Width A (mm)	Thickness T (mm)	Height H (mm)	Sendzimir Galvanization /Weight (kg/mt)
ZEY.DAKK-70-40-2400	1	70	1,2	40	2,83
ZEY.DAKK-140-40-2400	2	140	1,2	40	4,52
ZEY.DAKK-210-40-2400	3	210	1,2	40	7,07
ZEY.DAKK-300-40-2400	3	300	1,2	40	8,29



JUNCTION BOX

Order Code	Width A (mm)	Height H (mm)	Sendzimir Galvanization /Weight (kg/piece)
ZEY.DAKK.30	30	30	2,35
ZEY.DAKK.40	40	40	3

LEVELLING PIECE

Order Code	Width A (mm)	Height H (mm)	Sendzimir Galvanization /Weight (kg/piece)
ZEY.DAKK.SA.140	140	1,2	0,22
ZEY.DAKK.SA.210	210	1,2	0,3
ZEY.DAKK.SA.300	300	1,2	0,46



Mts weight tolerance $\pm 10\%$ / Special size (dimensions) pls call us / Pls define order codes when you offer or order

UNDER FLOOR CABLE TRAYS ACCESSORIES

STRAIGHT CONNECTOR

Order Code	Width A (mm)	Thickness T (mm)	Height H (mm)	Sendizmir Galvanization /Weight (kg/piece)
ZEY.DAKK.EK.70-30	70	1,2	30	0,13
ZEY.DAKK.EK.140-30	140	1,2	30	0,21
ZEY.DAKK.EK.210-30	210	1,2	30	0,28
ZEY.DAKK.EK.300-30	300	1,2	30	0,35
ZEY.DAKK.EK.70-40	70	1,2	40	0,14
ZEY.DAKK.EK.140-40	140	1,2	40	0,22
ZEY.DAKK.EK.210-40	210	1,2	40	0,30
ZEY.DAKK.EK.300-40	300	1,2	40	0,36



90° BENDING UNIT

Order Code	Width A (mm)	Thickness T (mm)	Height H (mm)	Sendizmir Galvanization /Weight (kg/piece)
ZEY.DAKK.90°.70-30	70	1,2	30	1,55
ZEY.DAKK.90°.140-30	140	1,2	30	2,40
ZEY.DAKK.90°.210-30	210	1,2	30	3,24
ZEY.DAKK.90°.300-30	300	1,2	30	4,02
ZEY.DAKK.90°.70-40	70	1,2	40	1,64
ZEY.DAKK.90°.140-40	140	1,2	40	2,53
ZEY.DAKK.90°.210-40	210	1,2	40	3,41
ZEY.DAKK.90°.300-40	300	1,2	40	4,11

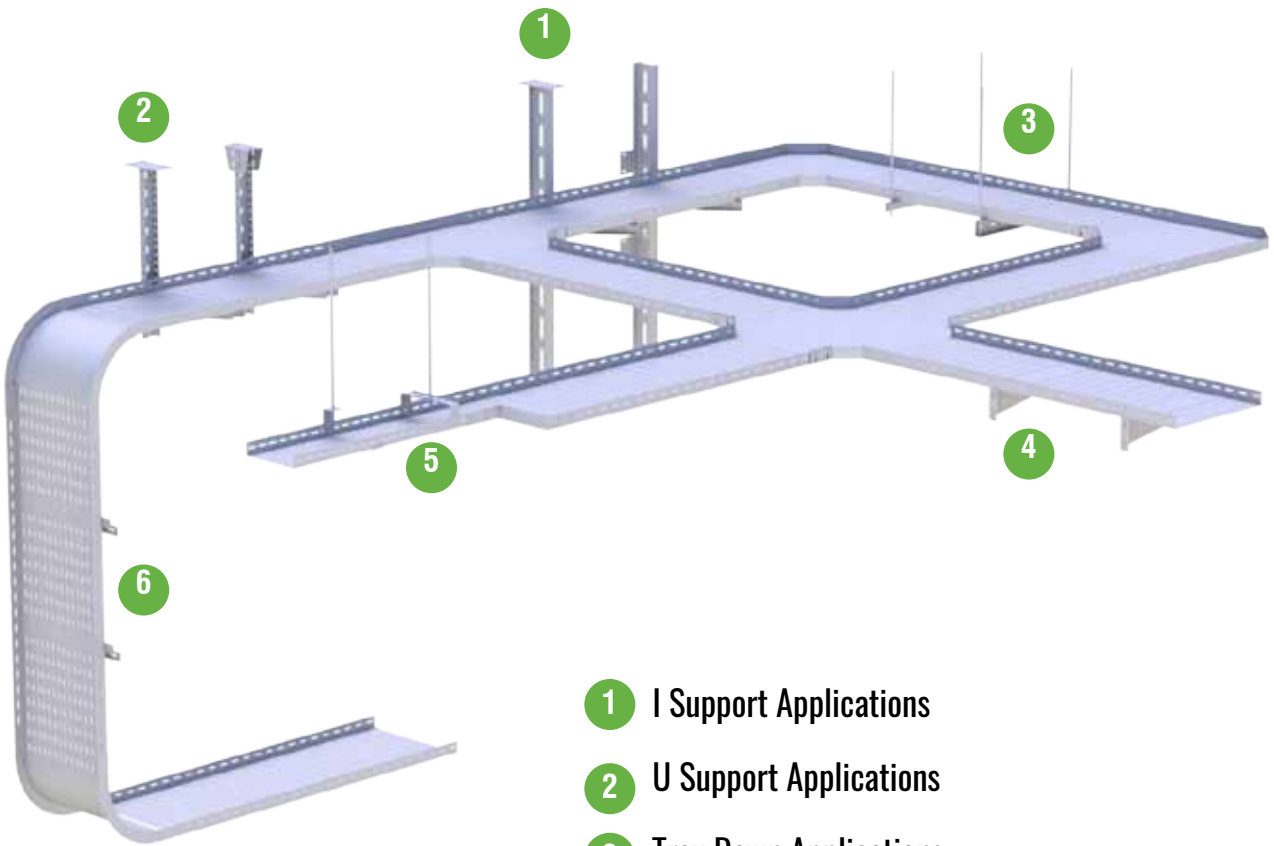


ENDING UNIT

Order Code	Width A (mm)	Thickness T (mm)	Height H (mm)	Sendizmir Galvanization /Weight (kg/piece)
ZEY.DAKK.SON.70-30	70	1,2	30	0,13
ZEY.DAKK.SON.140-30	140	1,2	30	0,21
ZEY.DAKK.SON.210-30	210	1,2	30	0,28
ZEY.DAKK.SON.300-30	300	1,2	30	0,35
ZEY.DAKK.SON.70-40	70	1,2	40	0,14
ZEY.DAKK.SON.140-40	140	1,2	40	0,22
ZEY.DAKK.SON.210-40	210	1,2	40	0,30
ZEY.DAKK.SON.300-40	300	1,2	40	0,36



Mts weight tolerance : %10 / Special size (dimensions) pls call us / Pls define order codes when you offer or order



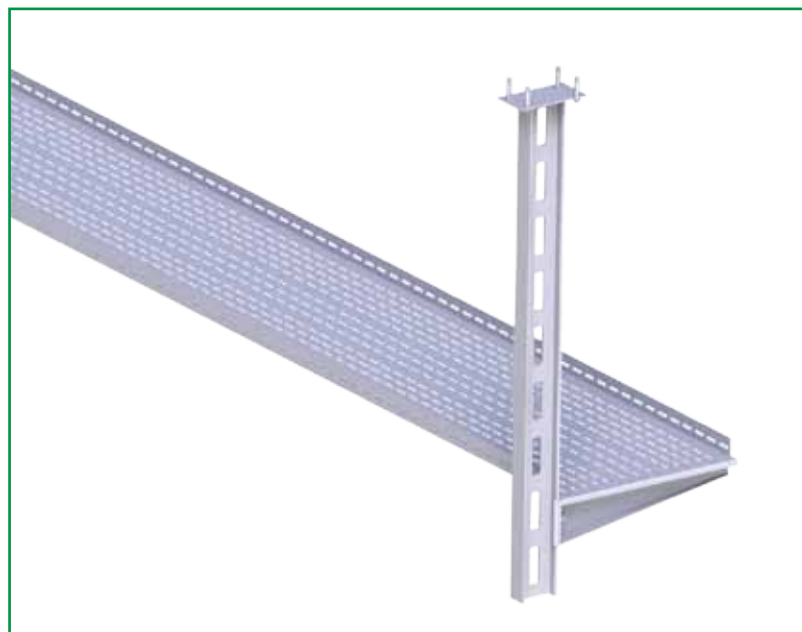
- 1 I Support Applications
- 2 U Support Applications
- 3 Tray Down Applications
- 4 Wall Bracket Support Applications
- 5 Tray up Applications
- 6 Tray Rising Bracket Applications

I HANGING SUPPORTS APPLICATION AND FIXING

DOUBLE SIDE APPLICATION



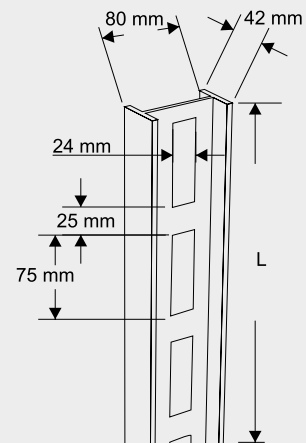
SINGLE SIDE APPLICATION



SUPPORT SYSTEMS

I SUPPORTS

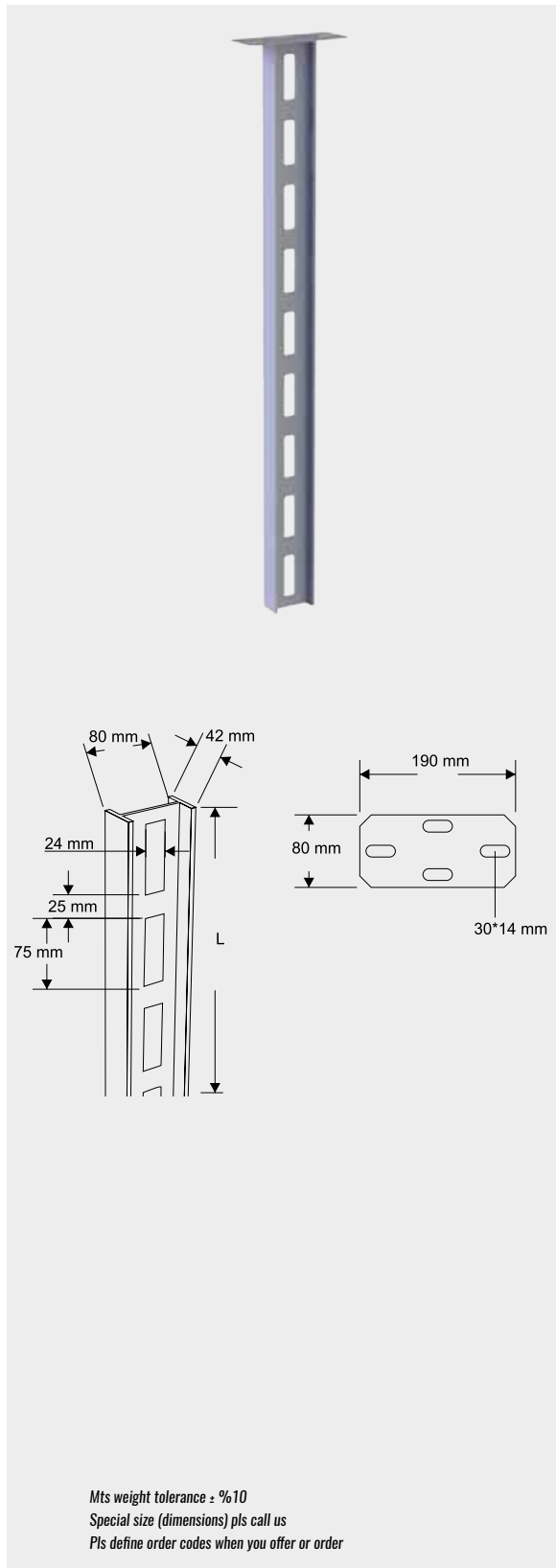
Order Code	Length L (mm)	Hot Dip Galvanization /Weight (kg/piece)
ZEY.ID.200	200	1,20
ZEY.ID.300	300	1,80
ZEY.ID.400	400	2,40
ZEY.ID.500	500	3,00
ZEY.ID.600	600	3,60
ZEY.ID.700	700	4,20
ZEY.ID.800	800	4,80
ZEY.ID.900	900	5,40
ZEY.ID.1000	1000	6,00
ZEY.ID.1100	1100	6,60
ZEY.ID.1200	1200	7,20
ZEY.ID.1300	1300	7,80
ZEY.ID.1400	1400	8,40
ZEY.ID.1500	1500	9,00
ZEY.ID.1600	1600	9,60
ZEY.ID.1700	1700	10,20
ZEY.ID.1800	1800	10,80
ZEY.ID.1900	1900	11,40
ZEY.ID.2000	2000	12,00
ZEY.ID.6000	6000	36,00



Mts weight tolerance : %10
 Special size (dimensions) pls call us
 Pls define order codes when you offer or order

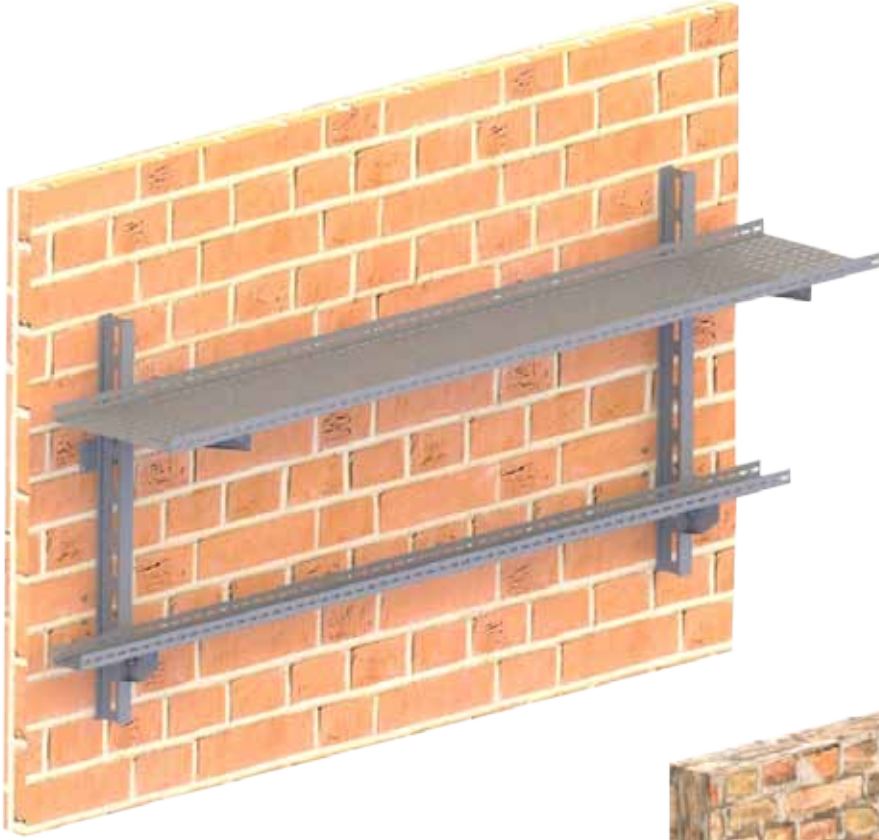
I HANGING SUPPORTS (CEILING)

Order Code	Length L (mm)	Hot Dip Galvanization /Weight (kg/piece)
ZEY.TID.200	200	1,90
ZEY.TID.300	300	2,50
ZEY.TID.400	400	3,10
ZEY.TID.500	500	3,70
ZEY.TID.600	600	4,30
ZEY.TID.700	700	4,90
ZEY.TID.800	800	5,50
ZEY.TID.900	900	6,10
ZEY.TID.1000	1000	6,70
ZEY.TID.1100	1100	7,30
ZEY.TID.1200	1200	7,90
ZEY.TID.1300	1300	8,50
ZEY.TID.1400	1400	9,10
ZEY.TID.1500	1500	9,70
ZEY.TID.1600	1600	10,30
ZEY.TID.1700	1700	10,90
ZEY.TID.1800	1800	11,50
ZEY.TID.1900	1900	12,10
ZEY.TID.2000	2000	12,70



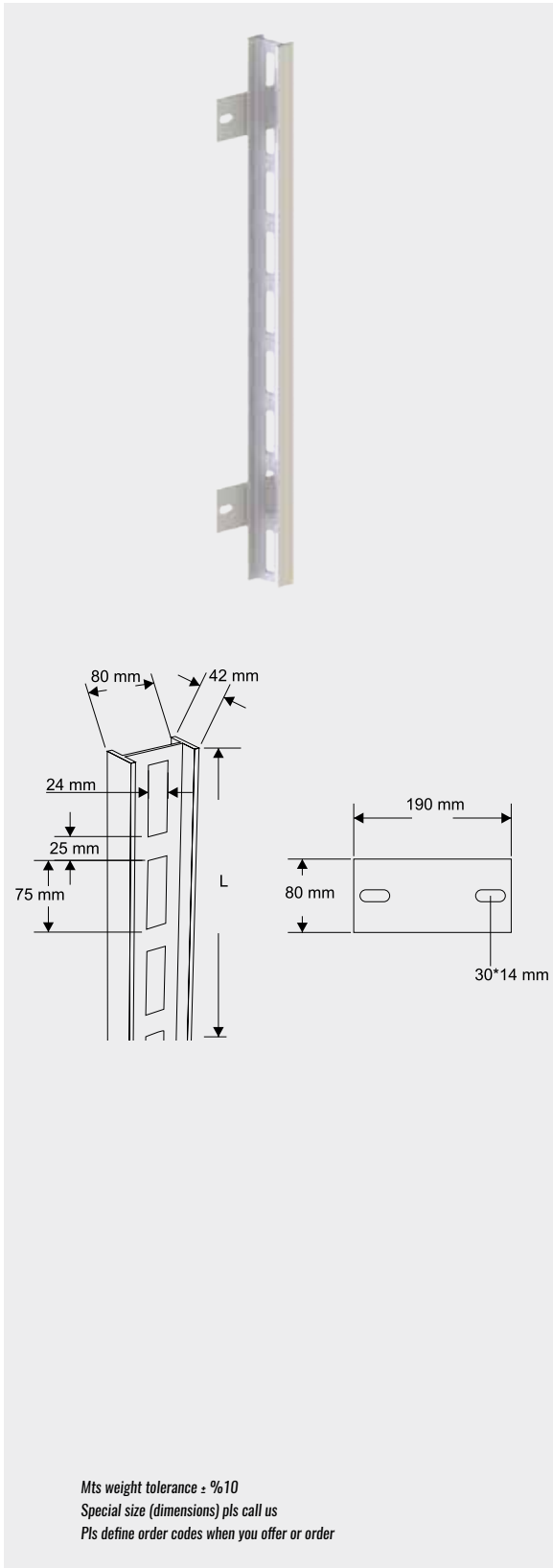
SUPPORT SYSTEMS

I SUPPORT FOR WALL APPLICATION AND FIXING DETAILS



I SUPPORT FOR WALL

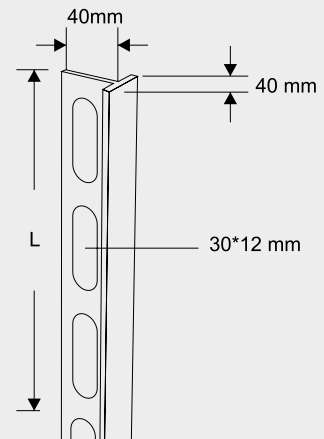
Order Code	Length L (mm)	Hot Dip Galvanization /Weight (kg/piece)
ZEY.DID.200	200	1,55
ZEY.DID.300	300	2,15
ZEY.DID.400	400	2,75
ZEY.DID.500	500	3,35
ZEY.DID.600	600	3,95
ZEY.DID.700	700	4,55
ZEY.DID.800	800	5,15
ZEY.DID.900	900	5,75
ZEY.DID.1000	1000	6,35
ZEY.DID.1100	1100	6,95
ZEY.DID.1200	1200	7,73
ZEY.DID.1300	1300	8,33
ZEY.DID.1400	1400	8,93
ZEY.DID.1500	1500	9,53
ZEY.DID.1600	1600	10,30
ZEY.DID.1700	1700	10,90
ZEY.DID.1800	1800	11,50
ZEY.DID.1900	1900	12,10
ZEY.DID.2000	2000	12,70



SUPPORT SYSTEMS

T SUPPORTS

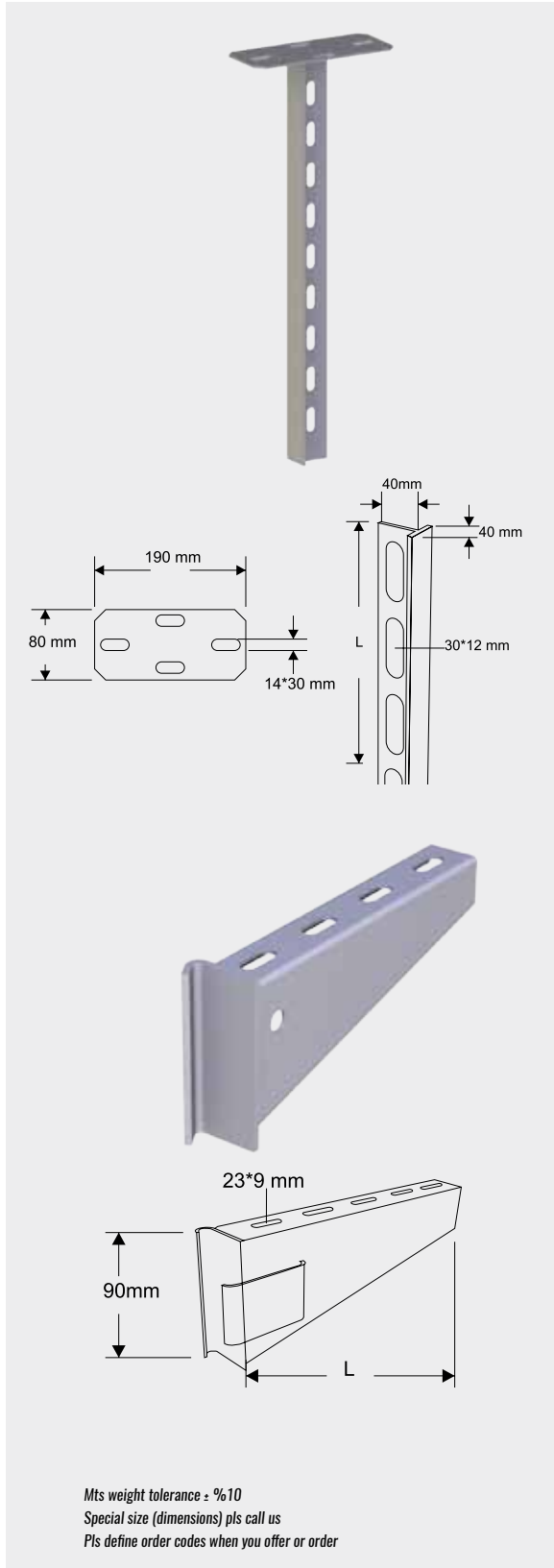
Order Code	Length L (mm)	Hot Dip Galvanization /Weight (kg/piece)
ZEY.TD.200	200	0,43
ZEY.TD.300	300	0,64
ZEY.TD.400	400	0,86
ZEY.TD.500	500	1,07
ZEY.TD.600	600	1,29
ZEY.TD.700	700	1,50
ZEY.TD.800	800	1,71
ZEY.TD.900	900	1,93
ZEY.TD.1000	1000	2,14
ZEY.TD.1100	1100	2,36
ZEY.TD.1200	1200	2,57
ZEY.TD.1300	1300	2,78
ZEY.TD.1400	1400	3,00
ZEY.TD.1500	1500	3,21
ZEY.TD.1600	1600	3,43
ZEY.TD.1700	1700	3,64
ZEY.TD.1800	1800	3,86
ZEY.TD.1900	1900	4,07
ZEY.TD.2000	2000	4,28



Mts weight tolerance \pm %10
 Special size (dimensions) pls call us
 Pls define order codes when you offer or order

T HANGING SUPPORTS (CEILING)

Order Code	Length L (mm)	Hot Dip Galvanization /Weight (kg/piece)
ZEY.TDB.200	200	1,13
ZEY.TDB.300	300	1,34
ZEY.TDB.400	400	1,56
ZEY.TDB.500	500	1,77
ZEY.TDB.600	600	1,99
ZEY.TDB.700	700	2,20
ZEY.TDB.800	800	2,41
ZEY.TDB.900	900	2,63
ZEY.TDB.1000	1000	2,84
ZEY.TDB.1100	1100	3,06
ZEY.TDB.1200	1200	3,27
ZEY.TDB.1300	1300	3,48
ZEY.TDB.1400	1400	3,70
ZEY.TDB.1500	1500	3,91
ZEY.TDB.1600	1600	4,13
ZEY.TDB.1700	1700	4,34
ZEY.TDB.1800	1800	4,56
ZEY.TDB.1900	1900	4,77
ZEY.TDB.2000	2000	4,98

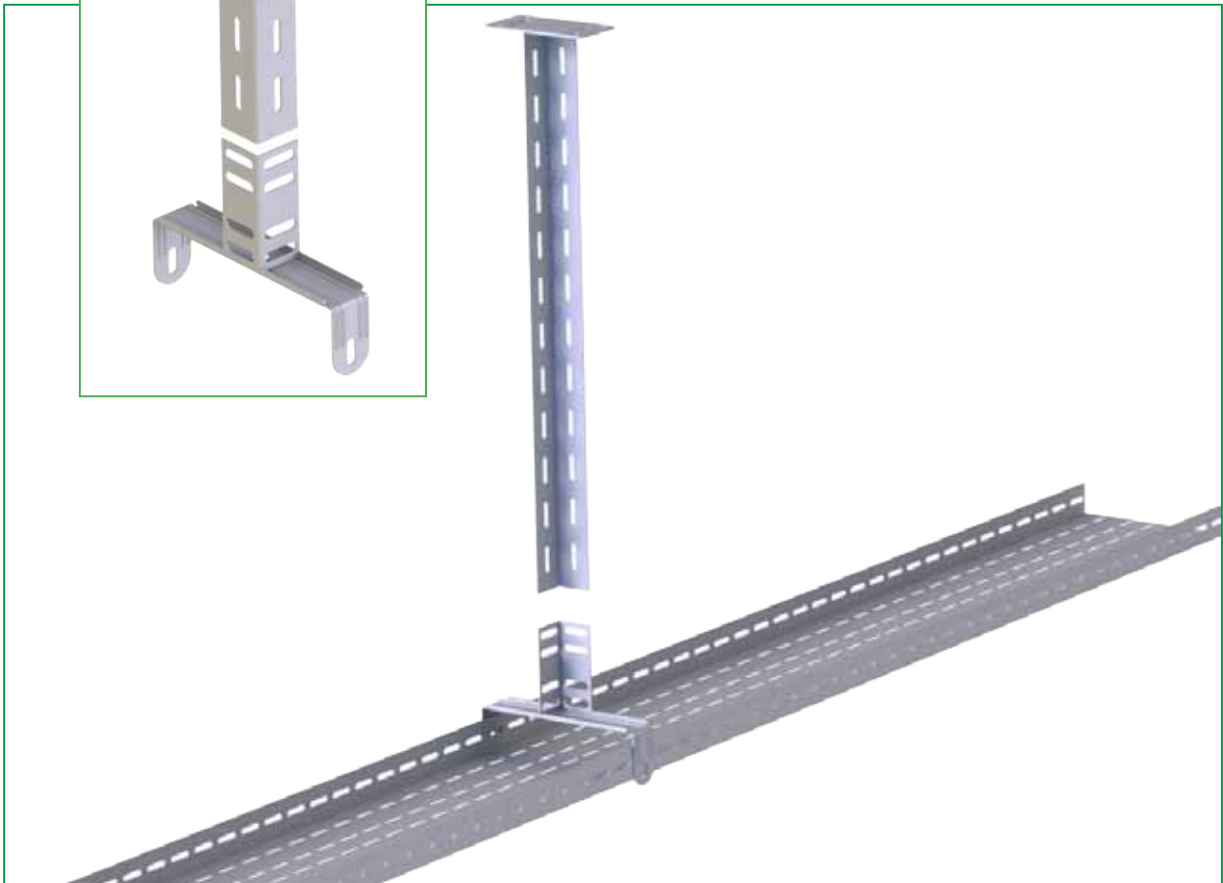
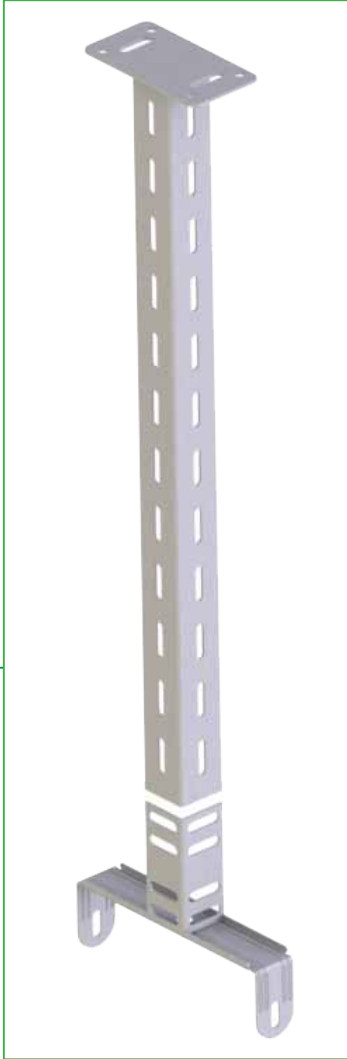


I - T BRACKETS

Order Code	Length L (mm)	Hot Dip Galvanization /Weight (kg/piece)
ZEY.IDK.100	100	0,45
ZEY.IDK.150	150	0,55
ZEY.IDK.200	200	0,65
ZEY.IDK.250	250	0,70
ZEY.IDK.300	300	0,80
ZEY.IDK.400	400	1,00
ZEY.IDK.500	500	1,35
ZEY.IDK.600	600	1,60

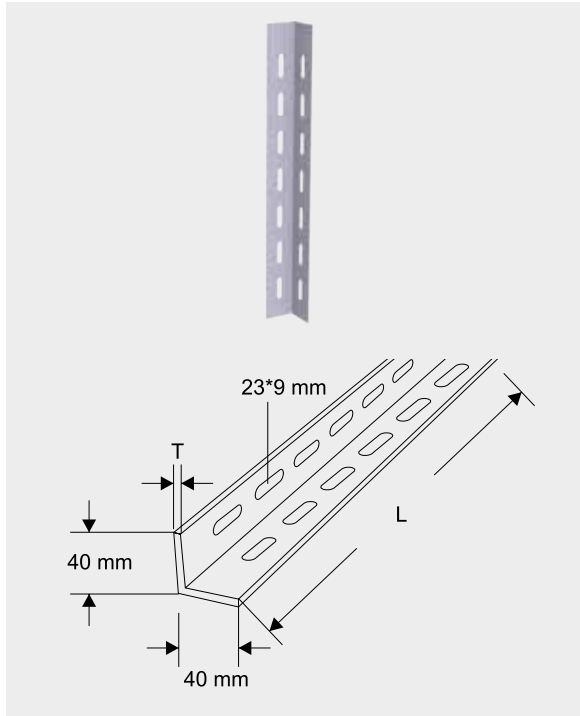
Mts weight tolerance = %10
 Special size (dimensions) pls call us
 Pls define order codes when you offer or order

L SUPPORTS APPLICATION AND FIXING DETAILS



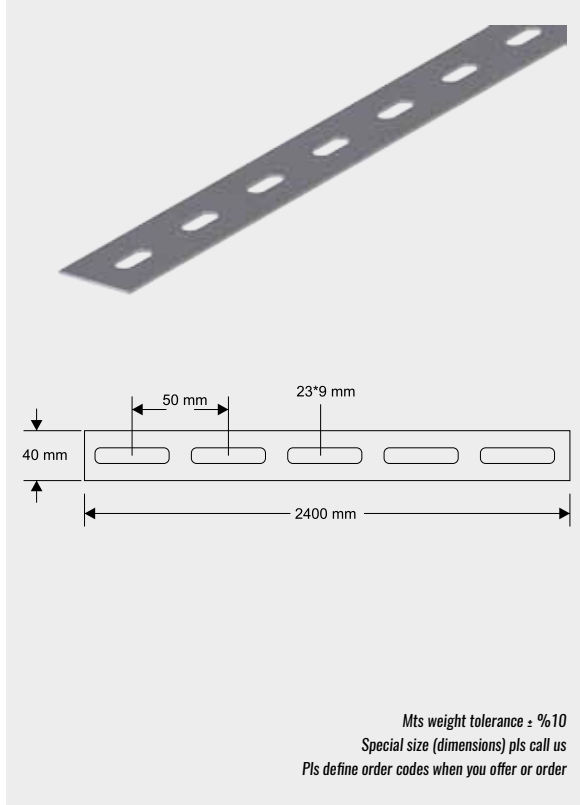
L SUPPORTS

Order Code	Length L (mm)	Thickness T (mm)	Sendzimir Galvanization /Weight (kg/piece)	Hot Dip Galvanization /Weight (kg/piece)
ZEY.LD.500	500	2	0,57	0,62
ZEY.LD.600	600	2	0,68	0,75
ZEY.LD.800	800	2	0,90	0,99
ZEY.LD.1000	1000	2	1,13	1,24
ZEY.LD.1200	1200	2	1,36	1,49
ZEY.LD.2000	2000	2	2,26	2,49
ZEY.LD.2400	2400	2	2,71	2,98

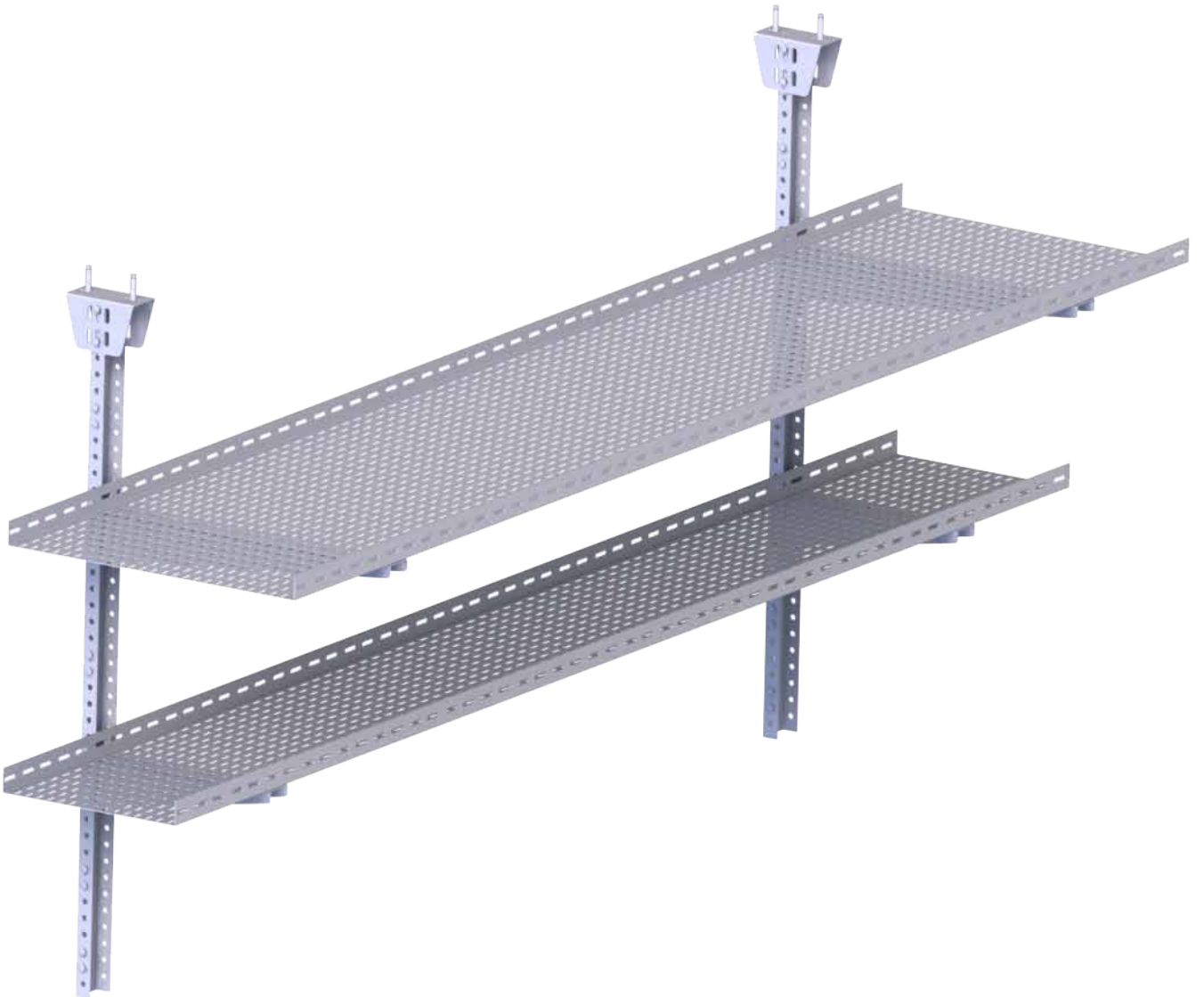


CEILING SUPPORT BAR

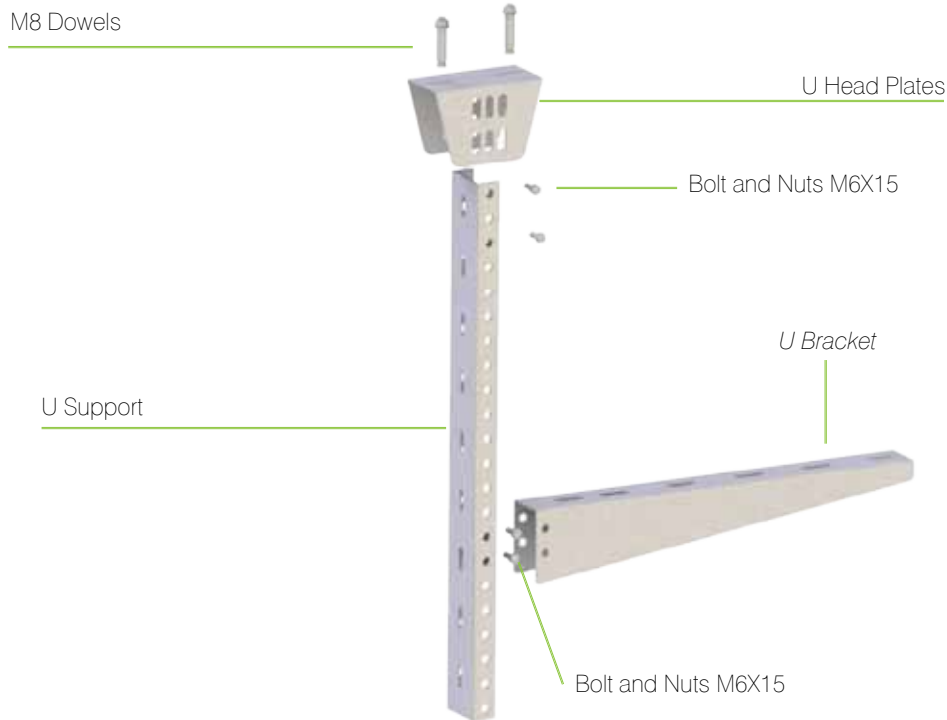
Order Code	Length L (mm)	Thickness T (mm)	Sendzimir Galvanization /Weight (kg/piece)	Hot Dip Galvanization /Weight (kg/piece)
ZEY.ASK.1	2400	2	1,35	1,48



U SUPPORTS APPLICATION AND FIXING DETAILS



U SUPPORTS APPLICATION AND FIXING DETAILS



U SUPPORTS DOOBLE SIDE APPLICATION



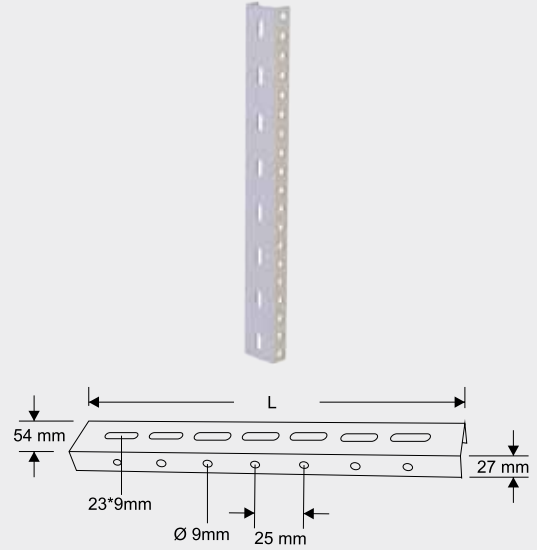
RTS SINGLE SIDE APPLICATION



SUPPORT SYSTEMS

U SUPPORTS

Order Code	Length L (mm)	Thickness T (mm)	Sendzimir Galvanization /Weight (kg/piece)	Hot Dip Galvanization /Weight (kg/piece)
ZEY.UD.200	200	2	0,28	0,31
ZEY.UD.300	300	2	0,42	0,47
ZEY.UD.400	400	2	0,57	0,62
ZEY.UD.600	600	2	0,85	0,93
ZEY.UD.800	800	2	1,13	1,24
ZEY.UD.1000	1000	2	1,41	1,55
ZEY.UD.1200	1200	2	1,70	1,87
ZEY.UD.2000	2000	2	2,83	3,11
ZEY.UD.2400	2400	2	3,37	3,71



U SUPPORTS WITH CEILING UNIT

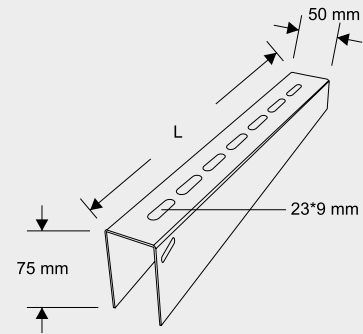
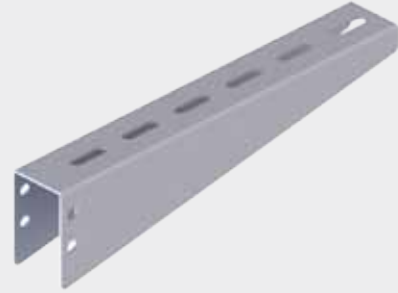
Order Code	Length L (mm)	Thickness T (mm)	Sendzimir Galvanization /Weight (kg/piece)	Hot Dip Galvanization /Weight (kg/piece)
ZEY.TUD.200	200	2	0,34	0,37
ZEY.TUD.300	300	2	0,48	0,53
ZEY.TUD.400	400	2	0,62	0,68
ZEY.TUD.600	600	2	0,90	0,99
ZEY.TUD.800	800	2	1,19	1,31
ZEY.TUD.1000	1000	2	1,47	1,62
ZEY.TUD.1200	1200	2	1,75	1,93
ZEY.TUD.2000	2000	2	2,88	3,17
ZEY.TUD.2400	2400	2	3,43	3,77



Mts weight tolerance : %10
Special size (dimensions) pls call us
Pls define order codes when you offer or order

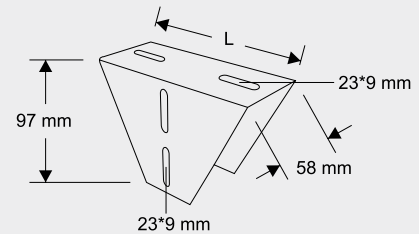
U BRACKETS

Order Code	Length L (mm)	Width A (mm)	Thickness T (mm)	Sendzimir Galvanization /Weight (kg/piece)	Hot Dip Galvanization /Weight (kg/piece)
ZEY.UDK.100	100	75	2	0,24	0,26
ZEY.UDK.150	150	75	2	0,35	0,38
ZEY.UDK.200	200	75	2	0,45	0,50
ZEY.UDK.250	250	75	2	0,58	0,63
ZEY.UDK.300	300	75	2	0,67	0,71
ZEY.UDK.400	400	75	2	0,87	0,94
ZEY.UDK.500	500	75	2	1,08	1,15
ZEY.UDK.600	600	75	2	1,29	1,37



HEAD PLATES FOR U SUPPORTS

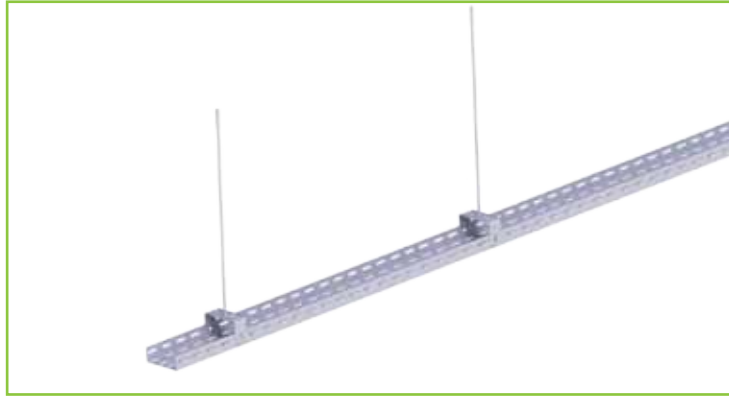
Order Code	Length L (mm)	Thickness T (mm)	Sendzimir Galvanization /Weight (kg/piece)	Hot Dip Galvanization /Weight (kg/piece)
ZEY.UDTB.1	150	2	0,30	0,325



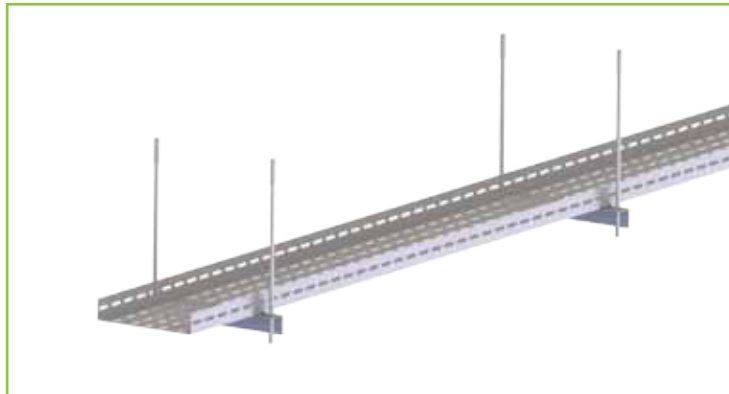
Mts weight tolerance : %10
Special size (dimensions) pls call us
Pls define order codes when you offer or order

SUPPORT SYSTEMS

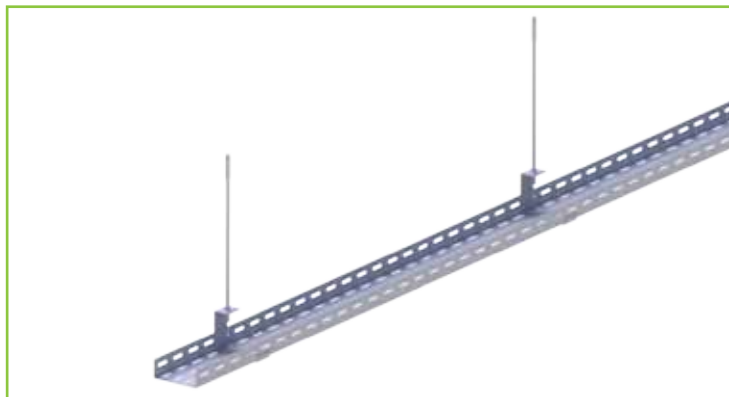
TRAY UP APPLICATION AND FIXING DETAILS



TRAY DOWN APPLICATION AND FIXING DETAILS

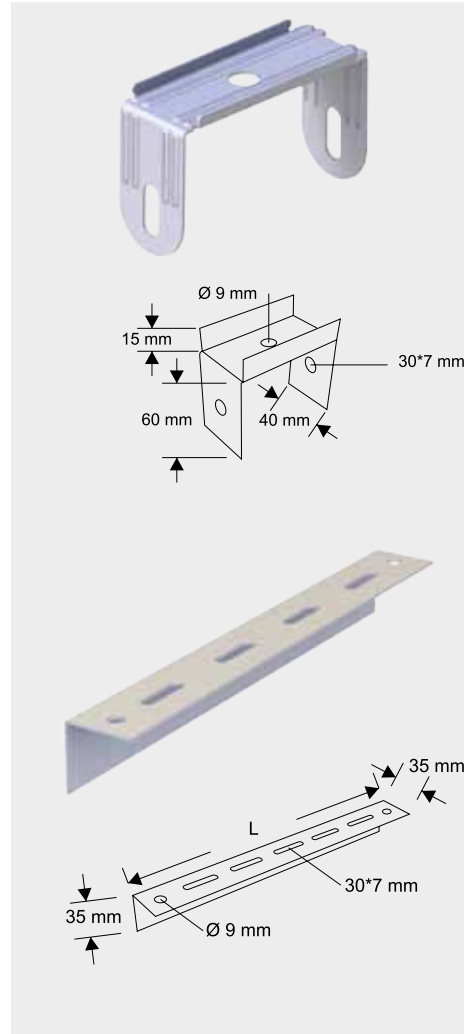


C TYPE SUPPORT APPLICATION AND FIXING DETAILS



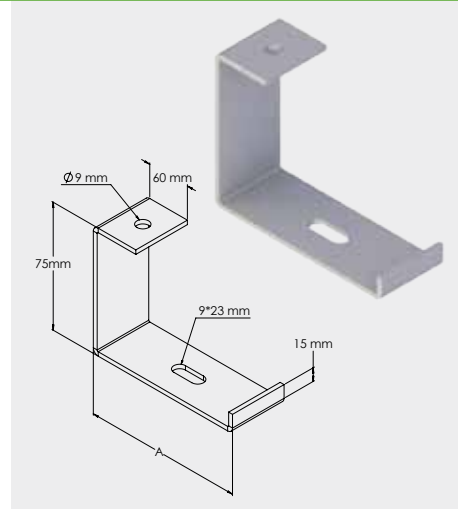
TRAY CARRIES WITH THREADED ROD

Order Code	Length L (mm)	Thickness T (mm)	Sendzimir Galvanization /Weight (kg/piece)	Hot Dip Galvanization /Weight (kg/piece)
ZEY.KUK.50	50	1,5	0,085	0,094
ZEY.KUK.100	100	1,5	0,115	0,127
ZEY.KUK.150	150	1,5	0,150	0,165
ZEY.KUK.200	200	1,5	0,175	0,193
ZEY.KAK.100	160	1,5	0,120	0,132
ZEY.KAK.200	260	1,5	0,270	0,297
ZEY.KAK.250	310	1,5	0,305	0,336
ZEY.KAK.300	360	2	0,350	0,385
ZEY.KAK.400	460	2	0,440	0,484
ZEY.KAK.500	560	2	0,535	0,589
ZEY.KAK.600	660	2	0,630	0,693



C TYPE SUPPORT

Order Code	Width A (mm)	Thickness T (mm)	Sendzimir Galvanization /Weight (kg/piece)	Hot Dip Galvanization /Weight (kg/piece)
ZEY.CD.50	60	3	0,16	0,176
ZEY.CD.100	110	3	0,207	0,228
ZEY.CD.150	160	3	0,263	0,289
ZEY.CD.200	210	3	0,395	0,435

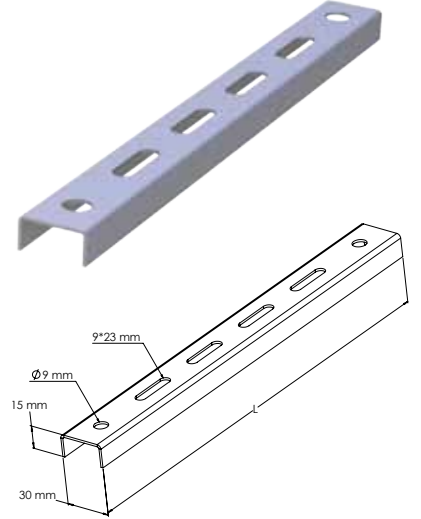


Mts weight tolerance \pm %10
 Special size (dimensions) pls call us
 Pls define order codes when you offer or order

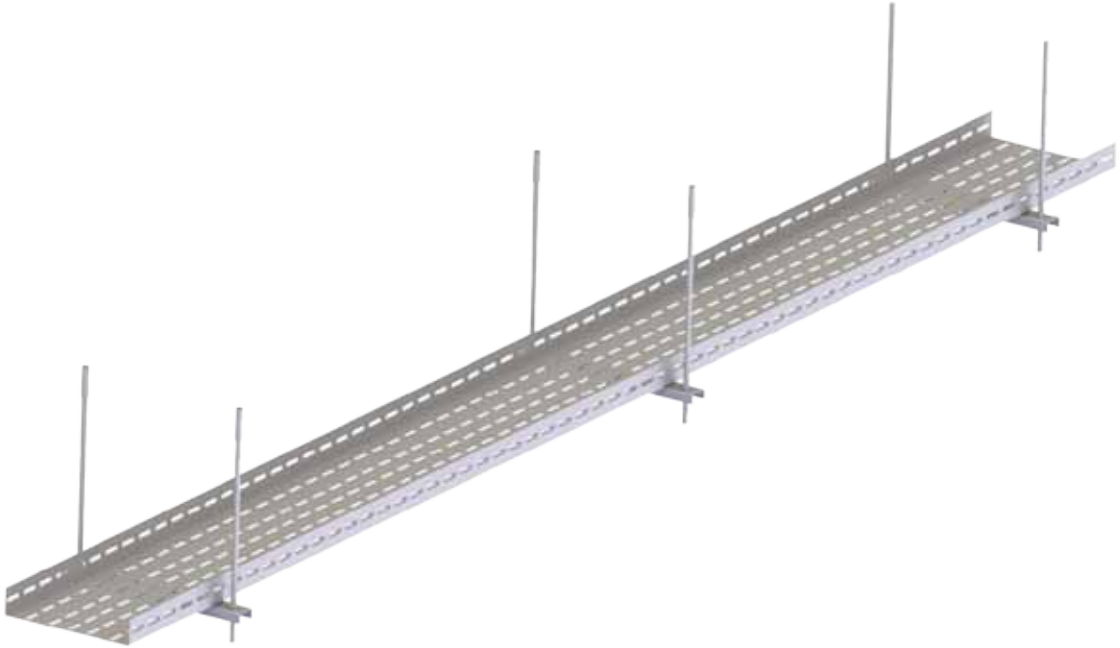
SUPPORT SYSTEMS

U TYPE BOLT - NUTS SUPPORTS

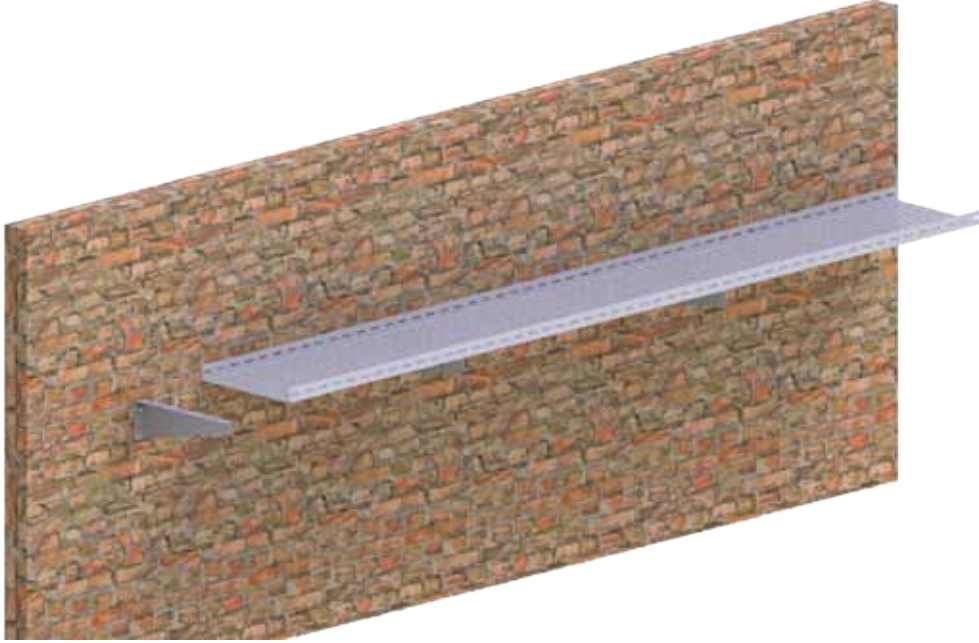
Order Code	Length L (mm)	Width A (mm)	Height H (mm)	Thickness T (mm)	Sendzimir Galvanization /Weight (kg/piece)	Hot Dip Galvanization /Weight (kg/piece)
ZEY.TUT.100	160	30	15	1,5	0,101	0,111
ZEY.TUT.150	210	30	15	1,5	0,133	0,146
ZEY.TUT.200	260	30	15	1,5	0,165	0,182
ZEY.TUT.250	310	30	15	1,5	0,197	0,217
ZEY.TUT.300	360	30	15	1,5	0,229	0,252
ZEY.TUT.400	460	30	15	1,5	0,292	0,321
ZEY.TUT.500	560	30	15	1,5	0,356	0,392
ZEY.TUT.600	660	30	15	1,5	0,420	0,462



U TYPE BOLT - NUTS SUPPORT APPLICATION AND FIXING DETAILS



WALL BRACKET APPLICATION AND FIXING DETAILS



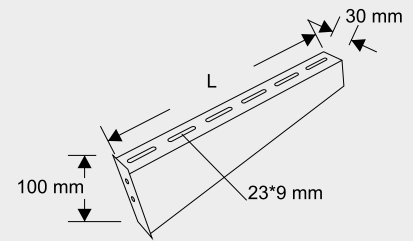
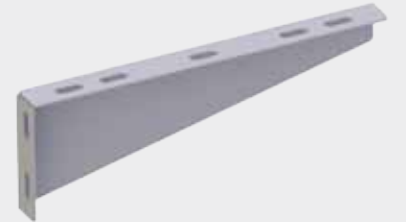
WELDED WALL BRACKET APPLICATION AND FIXING DETAILS



SUPPORT SYSTEMS

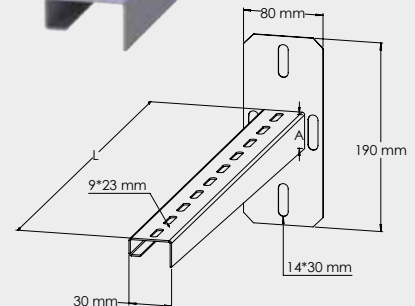
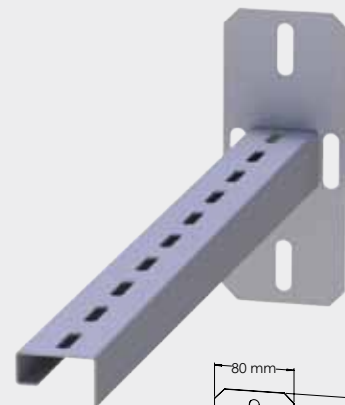
WALL BRACKETS

Order Code	Length L (mm)	Width A (mm)	Thickness T (mm)	Sendzimir Galvanization /Weight (kg/piece)	Hot Dip Galvanization /Weight (kg/piece)
ZEY.DK.50	50	100	1,5	0,075	0,083
ZEY.DK.100	100	100	1,5	0,125	0,138
ZEY.DK.150	150	100	1,5	0,175	0,193
ZEY.DK.200	200	100	1,5	0,235	0,259
ZEY.DK.250	250	100	1,5	0,280	0,308
ZEY.DK.300	300	100	1,5	0,350	0,385
ZEY.DK.400	400	100	2	0,445	0,490
ZEY.DK.500	500	100	2	0,750	0,825
ZEY.DK.600	600	100	2	0,885	0,974



WELDED WALL BRACKET

Order Code	Length L (mm)	Width A (mm)	Thickness T (mm)	Sendzimir Galvanization /Weight (kg/piece)	Hot Dip Galvanization /Weight (kg/piece)
ZEY.ADK.50	50	75	2	0,353	0,388
ZEY.ADK.100	100	75	2	0,424	0,466
ZEY.ADK.150	150	75	2	0,494	0,544
ZEY.ADK.200	200	75	2	0,565	0,621
ZEY.ADK.250	250	75	2	0,636	0,699
ZEY.ADK.300	300	75	2	0,706	0,777
ZEY.ADK.400	400	75	2	0,847	0,932
ZEY.ADK.500	500	75	2	0,989	1,088
ZEY.ADK.600	600	75	2	1,130	1,243



Mts weight tolerance \pm %10
 Special size (dimensions) pls call us
 Pls define order codes when you offer or order

C PROFILES

Order Code	Length L (mm)	Width A (mm)	Height H (mm)	Thickness T (mm)	Sendzimir Galvanization /Weight (kg/mt)	Hot Dip Galvanization /Weight (kg/mt)
ZEY.CP1-21	2400	40	21	1,5	2,59	2,82
ZEY.CP2-21	2400	40	21	2	3,45	3,76

C PROFILES

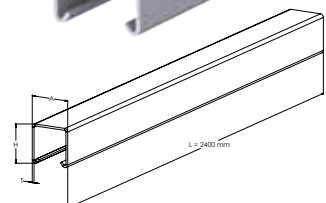
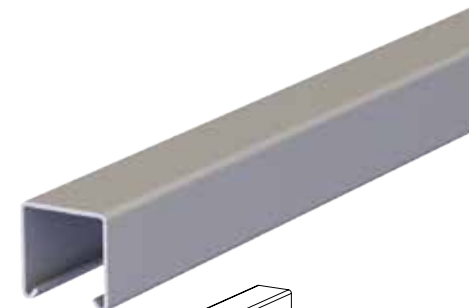
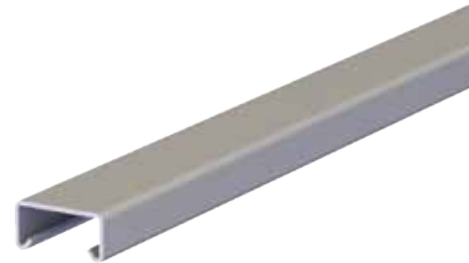
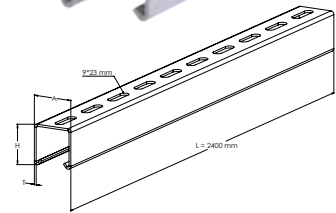
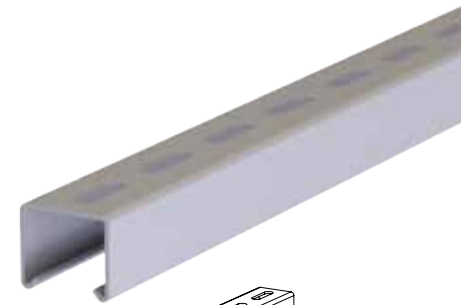
Order Code	Length L (mm)	Width A (mm)	Height H (mm)	Thickness T (mm)	Sendzimir Galvanization /Weight (kg/mt)	Hot Dip Galvanization /Weight (kg/mt)
ZEY.CP1-40	2400	40	40	1,5	3,55	3,87
ZEY.CP2-40	2400	40	40	2	4,74	5,17

UNPUNCHED C PROFILES

Order Code	Length L (mm)	Width A (mm)	Height H (mm)	Thickness T (mm)	Sendzimir Galvanization /Weight (kg/mt)	Hot Dip Galvanization /Weight (kg/mt)
ZEY.CP3-21	2400	40	21	1,5	2,88	3,14
ZEY.CP4-21	2400	40	21	2	3,84	4,19

UNPUNCHED C PROFILES

Order Code	Length L (mm)	Width A (mm)	Height H (mm)	Thickness T (mm)	Sendzimir Galvanization /Weight (kg/mt)	Hot Dip Galvanization /Weight (kg/mt)
ZEY.CP3-40	2400	40	40	1,5	3,95	4,31
ZEY.CP4-40	2400	40	40	2	5,27	5,75



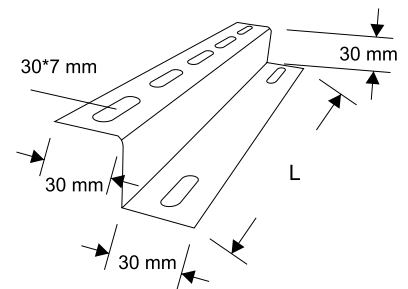
SUPPORT SYSTEMS

TRAY RISING BRACKET APPLICATION AND FIXING DETAILS



RISING BRACKETS FOR WALL AND FLOOR

Order Code	Length L (mm)	Width A (mm)	Thickness T (mm)	Sendzimir Galvanization /Weight (kg/piece)	Hot Dip Galvanization /Weight (kg/piece)
ZEY.KYK.50	50	30	1,5	0,048	0,052
ZEY.KYK.100	100	30	1,5	0,100	0,110
ZEY.KYK.150	150	30	1,5	0,150	0,165
ZEY.KYK.200	200	30	1,5	0,191	0,210
ZEY.KYK.250	250	30	1,5	0,238	0,262
ZEY.KYK.300	300	30	2	0,415	0,457
ZEY.KYK.400	400	30	2	0,535	0,589
ZEY.KYK.500	500	30	2	0,680	0,748
ZEY.KYK.600	600	30	2	0,825	0,908



THREADED RODS

Order Code	Length L (mm)	Tooth Size	Weight (kg/piece)
ZEY.TİJ.1	1000	M8 Tij	0,300
ZEY.TİJ.2	2000	M8 Tij	0,600

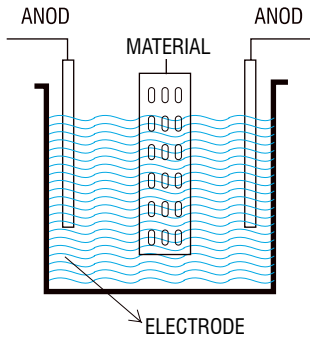
PIN AND STEEL DOWEL

Order Code	Uzunluk Product Name	Weight (kg/piece)
ZEY.CEKD.M8	M8 Steel Wall Peg Type 1	0,040
ZEY.CAKD.M8	M8 Steel Wall Peg Type 2	0,022
ZEY.KOV.M8	Expansion Nuts	0,030
ZEY.KOP.1	Pin	0,035

BOLT, NUT, WASHER

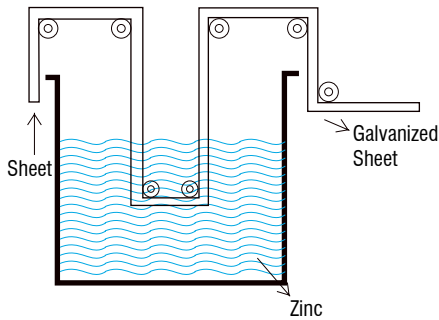
Order Code	Uzunluk Product Name	Weight (kg/piece)
ZEY.CSP.M6	M6*15 Bolt Nut Washer	0,023
ZEY.CIVATA.M6	M6*15 Bolt	0,006
ZEY.CIVATA.M8	M8*15 Bolt	0,010
ZEY.SOMUN.M6	M6 Nut	0,002
ZEY.SOMUN.M8	M8 Nut	0,005
ZEY.FSOMUN.M6	M6 Flanged Nut	0,006
ZEY.FSOMUN.M8	M8 Flanged Nut	0,009
ZEY.PUL.M6	M6 Washer	0,015
ZEY.PUL.M8	M8 Washer	0,020





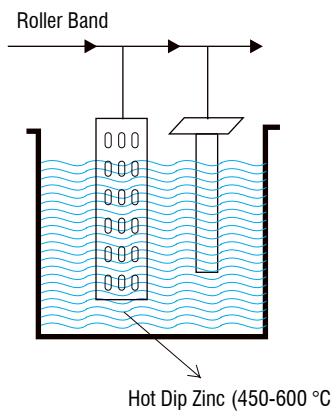
Electro Galvanization

After the treatment of the prepared steel metal surface for corrosion protection electro-galvanizing coating applied for this purpose. Thickness of zinc coating 8-12 Micron



Sendzimir Galvanization

This type of coating is for continuously hot-dip zinc coated flat products in thicknesses <2,5 mm made of the steels. Thickness of zinc coating 15-20 μ (Mikron)



Hot Dip Galvanization

(TS 914 EN ISO 1461)

Hot dip galvanizing is done after fabrication which results in a compact zinc surface. Hot dip galvanizing is better protection other method. Thickness of zinc coating 40-60 μ (Mikron)



ELECTRO STATIC POWDER COATING

Used the indoor decoration materials and the other mts coated according to the RAL color catalogue in our painting section applied electro static powder coated Technologies (methods).