



NOFIMA

2022





Zenit Arena Stadium - St. Petersburg (Russia)



↓  Recollida equipatges Baggage claim Recogida equipajes	↓  Portes Gates Puertas A
↓  Sortida Exit Salida	↓  Portes Gates Puertas B50
↓  Sky	



Josep Tarradellas Airport - Barcelona El Prat (Spain)





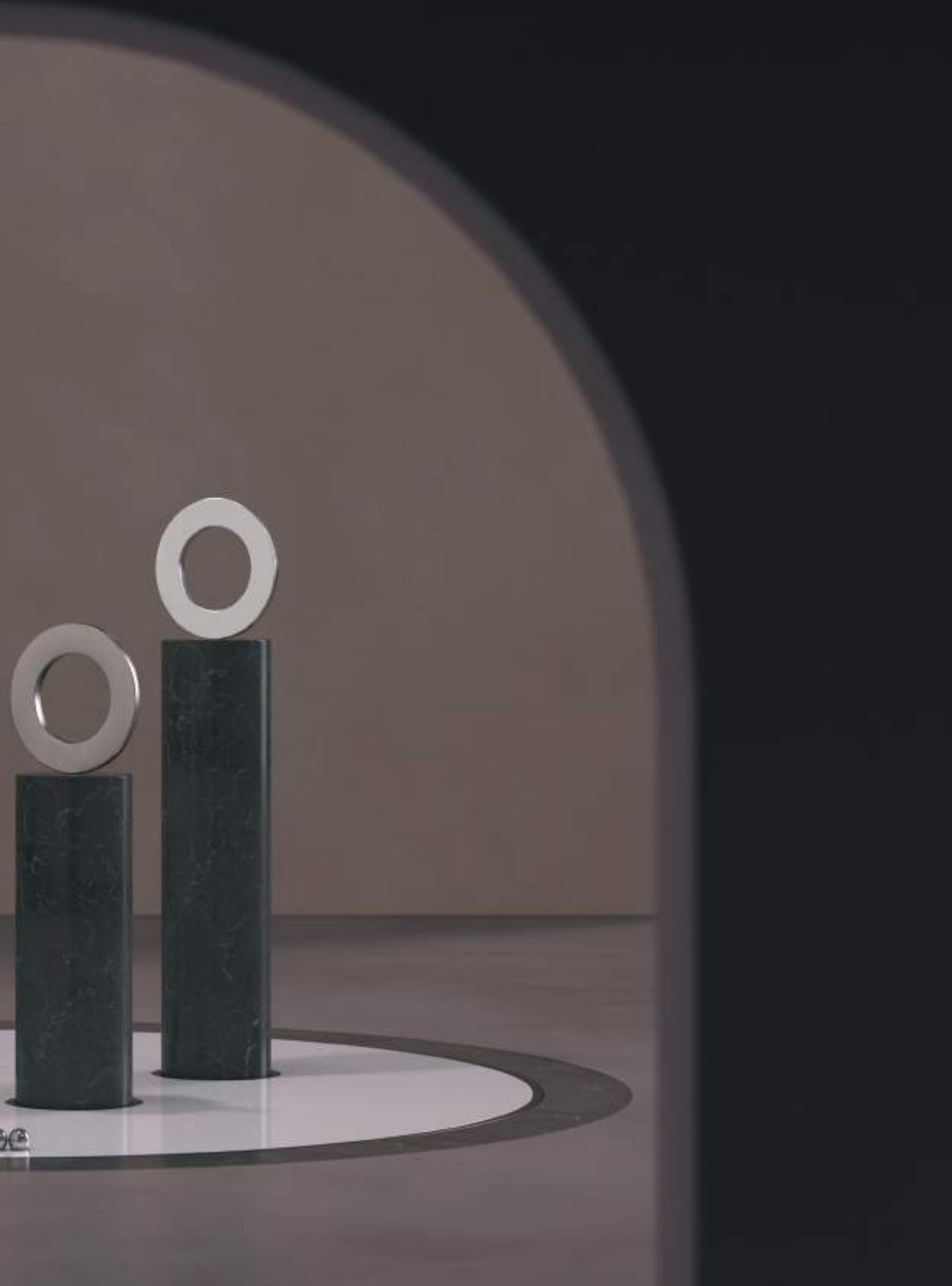
Santiago Bernabéu Stadium - Madrid (Spain)





concept ³	10
multifunction	24
hand dryers	52
hair dryers	110
soap dispensers	122
paper dispensers	144
wash collections	176
complements	296
paper bins	310
stainless steel sanitary	332
vandal-proof	370
industrial furniture	380
mobility	392
emergency	436
water fountains	444
baby changing units	450
insect-killers	456
annex	462







concept³

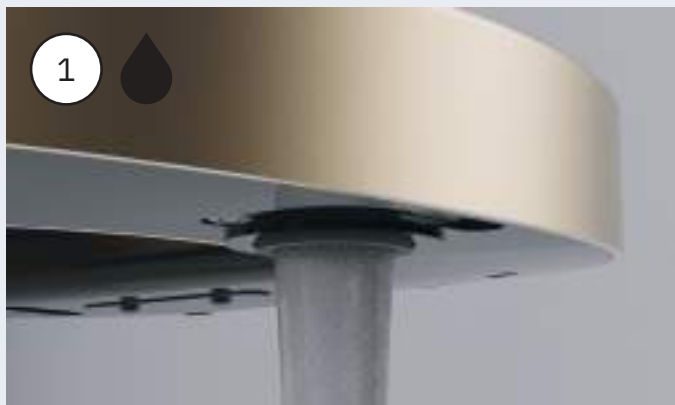
CONCEPT³





concept³

is a revolutionary faucet set with hand dryer, soap and water dispenser in one single piece



Slim aerator 5 l/min. - 1,3 GPM.
Spray aerator included 1,89 l/min - 0,5 GPM



Low noise impact, only 65 dB



Self cleaning soap dispenser.
Automatic soap release for sanitation.

finish

Our selection of 4 timeless colours that match Concept³'s innovative design.

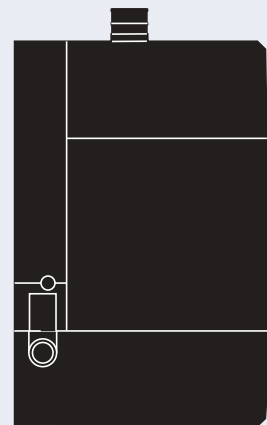
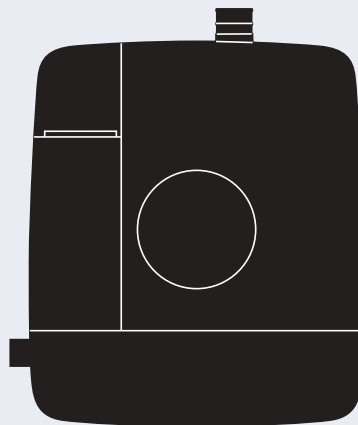
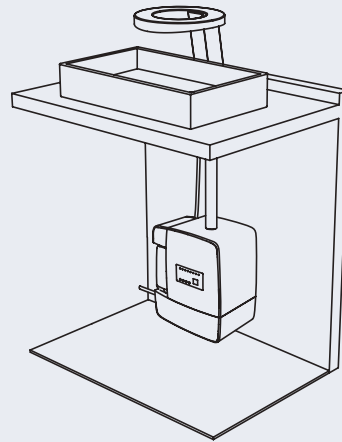
Gold, Polished, Black, Silver.
Timeless, versatile, elegant.



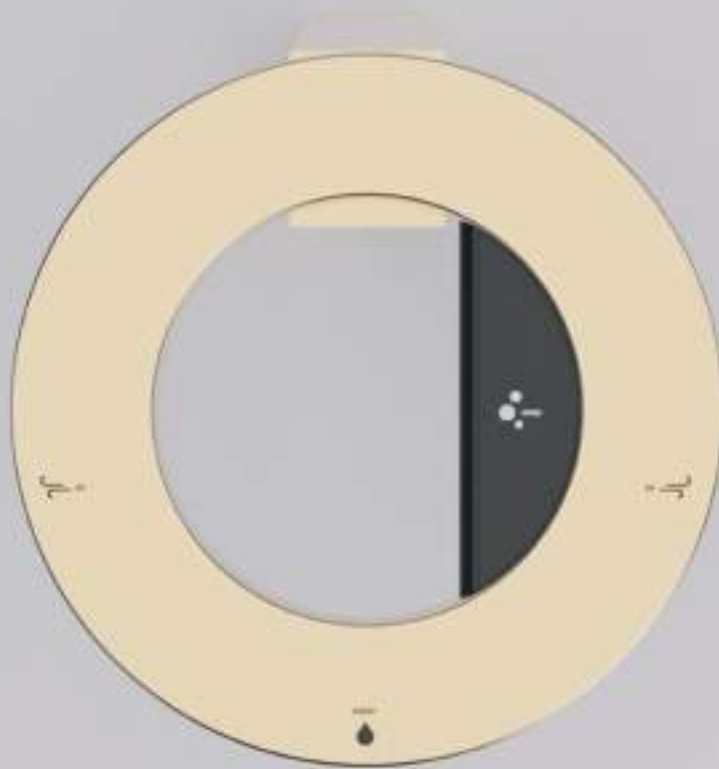
finish







technical specifications



DISPENSER / TAP

Long neck weight:: 2 Kg.

Short neck weight:: 1.8 Kg.

Activation: Laser sensors.

Activation sensitivity can be adjusted.

Column made of extruded 6063 T5 Aluminium.

01901.B and 01902.B: chrome plated according with EN248 standards.

01901.S and 01902.S:
Natural anodized according to ISO 15184 / ISO 9227 / ISO 1134.

01901.N and 01902.N:
Natural anodized according to ISO 15184 / ISO 9227 / ISO 1134.

01901.GD and 01902.GD:
Natural anodized according to ISO 15184 / ISO 9227 / ISO 1134.

SOAP DISPENSER

Dosage system: peristaltic pump.

Tank capacity: 1.2 l.

CONTROL MODULE

Weight: 3,8 Kg.

Installation: Wall mounted or floor standing.

Set up parameters: sensor test, soap circuit purger, soap dosage selector, operation time.

HAND DRYER

Power: 1200 W.

Motor speed: 32000 rpm.

WATER SOLENOID VALVE

Operation pressure: max. 8 – min. 0.5 bar.

Recommended operation pressure: 3 bar.





Hand dryer, soap dispenser and tap set on countertop.
3 in 1 integrated sensor.

DISPENSER TAP	
Dimensions (01901 model)	225 x 230 x 251,5 mm 8 7/8" x 9" x 9 7/8"
Dimensions (01902 model)	317,5 x 230 x 268 mm 1'-0 1/2" x 9" x 10 1/2"
Weight	2,3 Kg (01901 model) 2,5 Kg (01902 model)
Materials	Chromed aluminium (Polish) / Anodised aluminium / ABS / Brass
Activation	By sensors
Water consumption	3 - 7 l/m (3 bar)
Aerator	Neopearl
Operation	Electronic sensor
Noise level at 2 m	65 dbA

HAND DRYER	
Hand dryer box dimensions	307 x 281,4 x 210 mm 1'-0 1/8" x 11" x 8 1/4"
Hand dryer box weight	3,1 Kg
Material	ABS
Power consumption	5,3 A
Voltage	220 - 240 V~
Electrical isolation	Class II
Protection index against ingress of dust and water	IP34
Motor power	1200 W
Motor speed	32000 rpm
Drying time	14-15 seconds
HEPA filter	YES

SOAP DISPENSER	
Soap dispenser dimensions	120 x 322 x 120 mm 4 3/4" x 1'-0 5/8" x 4 3/4"
Weight	0,9 Kg
Materials	ABS
Voltage	5 V~
Soap dosage	1-4 cc (electronic regulation)
Soap tank capacity	2 litres

01901.GD

01902.GD

Finish
Gold



01901.B

01902.B

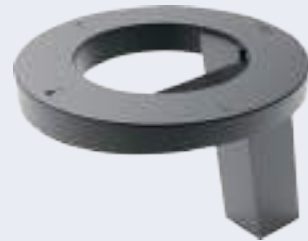
Finish
Polish



01901.N

01902.N

Finish
Black



01901.S

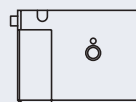
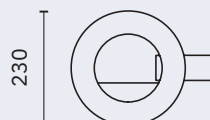
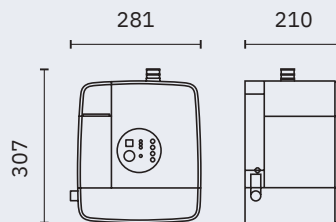
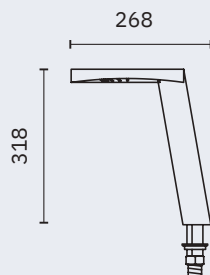
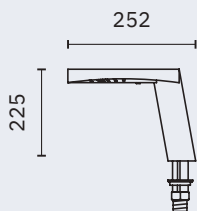
01902.S

Finish
Silver



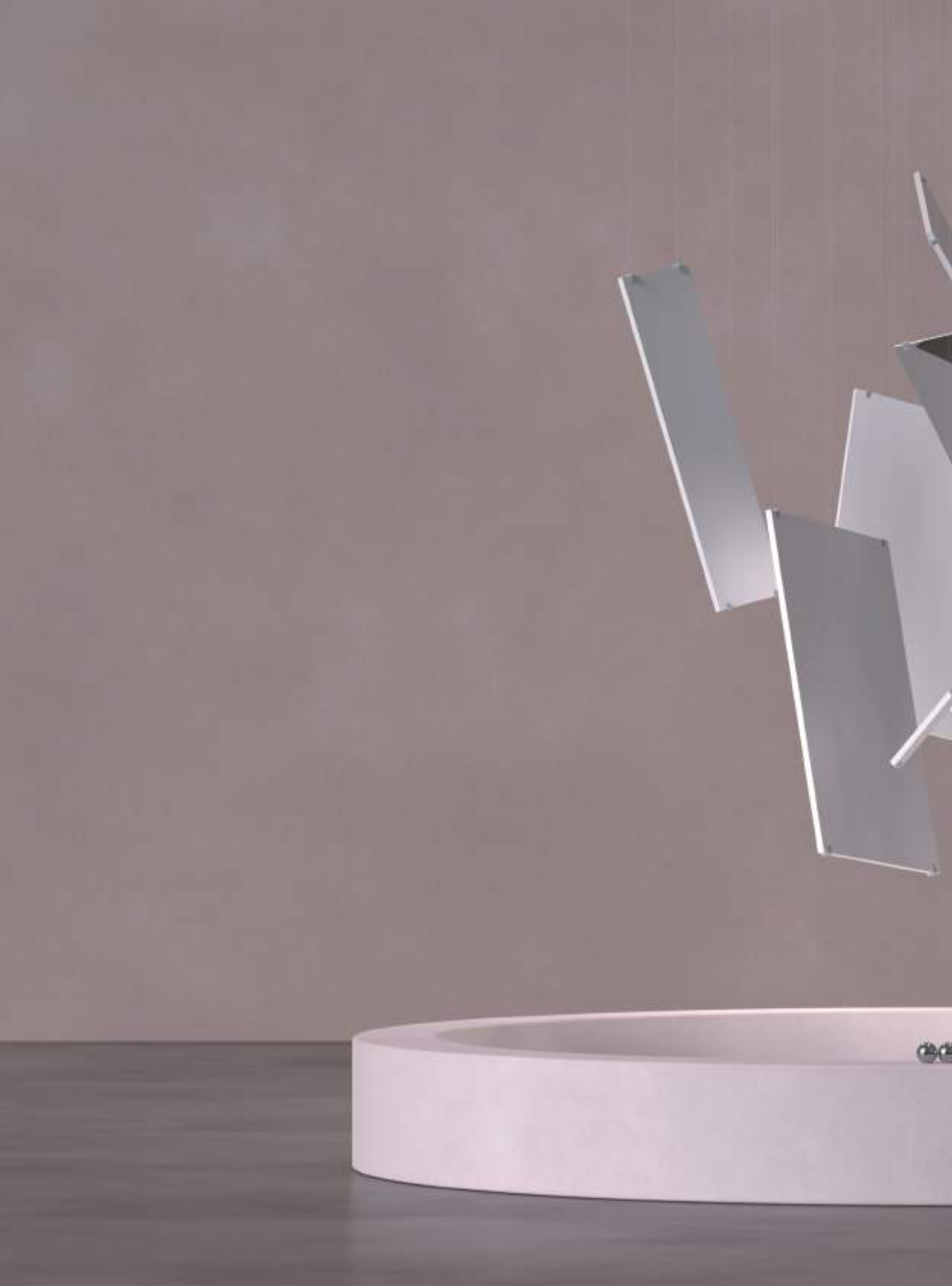
01901

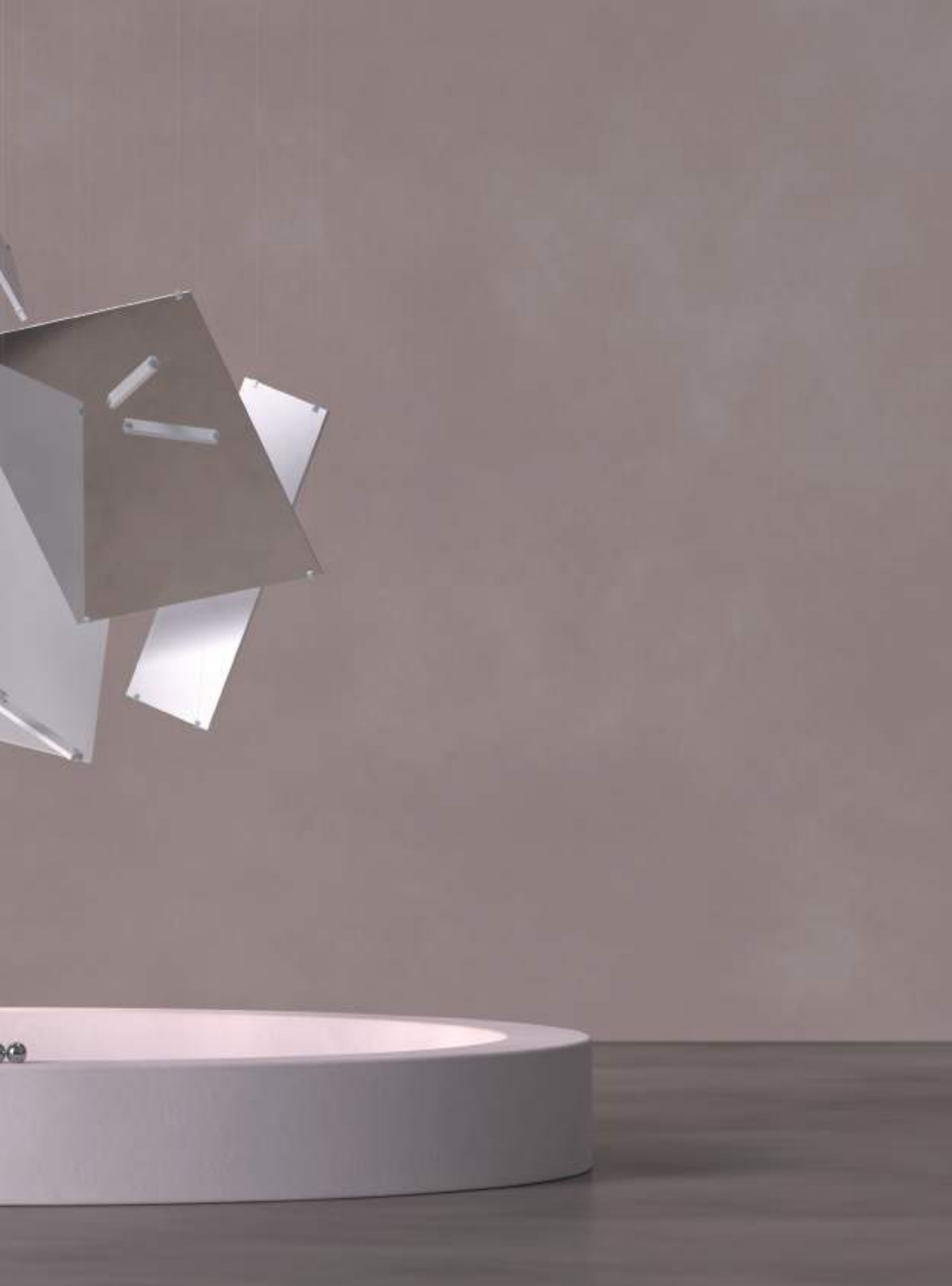
01902



06029.CPT

HEPA filter





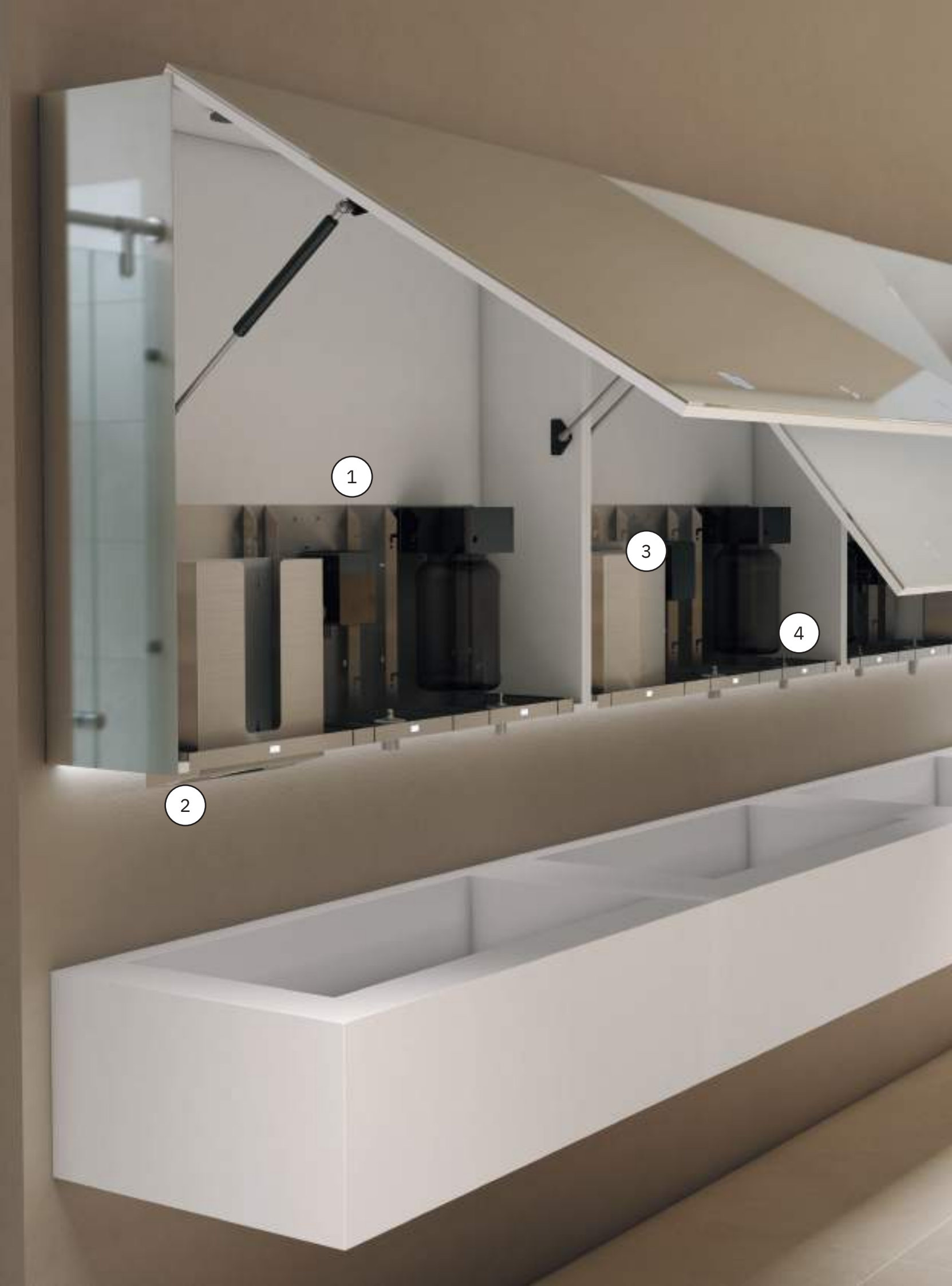


M U M O

MULTI MODULAR BY NOFER

MULTIFUNCTION





1

2

3

4



Faucet with adjustable laser sensor



Manual or automatic paper dispenser



Low noise impact, between 60 and 72 dB



Automatic self cleaning soap dispenser

 FAUCETS

Laser Faucet

12053.M

470 x 200 x 223 mm
1'-6 1/2" x 7 7/8" x 8 3/4"



- ✓ activated by **laser sensor**
- ✓ activation distance and operating time adjustable by remote control
- ✓ 220 AC 50/60 Hz
- ✓ rechargeable battery optional
- ✓ 3 / 1,89 l/min



SOAP DISPENSERS

MULTIFUNCTION



Laser Soap

12053.S1

470 x 200 x 223 mm
1'-6 1/2" x 7 7/8" x 8 3/4"



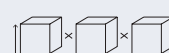
- ✓ activated by **laser sensor**
- ✓ activation distance and operating time adjustable by remote control
- ✓ 220 AC 50/60 Hz
- ✓ rechargeable battery optional
- ✓ capacity 3 litres

Automatic Soap

12053.S2

370 x 150 x 223 mm
1'-2 1/2" x 5 7/8" x 8 3/4"

- ✓ activated by infrared sensor
- ✓ operated by AA bateries (4 units)
- ✓ alternative 230V AC with electrical transformer
- ✓ liquid soap, foam or spray valve available
- ✓ 1 litre



 **HAND DRYERS**

Bigflow 

12053.H1

378 x 260 x 223 mm
1'-2 7/8" x 10 1/4" x 8 3/4"



- ✓ satin finished Bigflow Evo
- ✓ activated by **laser sensor**
- ✓ adjustable activation distance
- ✓ selectable power 1200 / 2050 W
- ✓ low sound level
- ✓ Hepa filter available
- ✓ drying time 40 s



Fuga  

12053.H2

370 x 200 x 223 mm
1'-2 1/2" x 7 7/8" x 8 3/4"



- ✓ satin finished Fuga Evo
- ✓ activated by **laser sensor**
- ✓ adjustable activation distance
- ✓ power 800 W
- ✓ Hepa filter
- ✓ drying time 10 - 12 s
- ✓ optional UV C Led light disinfection

 **HAND DRYERS**

MULTIFUNCTION



Fusion 
Fusion

12053.H3

384 x 200 x 223 mm
1'-3 1/8" x 7 7/8" x 8 3/4"



- ✓ fusion
- ✓ activated by **laser sensor**
- ✓ multijet / blade outlet
- ✓ adjustable activation distance
- ✓ selectable power 700/900 W
- ✓ Hepa filter and zero smell
- ✓ drying time 6 - 12 s
- ✓ optional UV C Led light disinfection



PAPER TOWEL DISPENSERS

Automatic Paper

12053.PA

432 x 350 x 223 mm
1'-5" x 1'-1 3/4" x 8 3/4"

- ✓ activated by moisture sensor
- ✓ type D battery operated (4 units)
- ✓ alternative 230V AC with adaptor
- ✓ continuous roll paper
Ø 200 x 220 mm width
- ✓ automatic outlet, manual cut



Manual Paper

12053.P

408 x 350 x 223 mm
1'-4" x 1'-1 3/4" x 8 3/4"

- ✓ capacity 400/600 units

UNIT DIVIDERS

MULTIFUNCTION



5

98416.05

370 x 50 x 223 mm
1'-2 1/2" x 2" x 8 3/4"

- ✓ AISI 304 stainless steel brackets
- ✓ resistant to rust and corrosion
- ✓ ergonomic modular system



10

98416.10

370 x 100 x 223 mm
1'-2 1/2" x 4" x 8 3/4"



15

98416.15

370 x 150 x 223 mm
1'-2 1/2" x 5 7/8" x 8 3/4"

VELOX

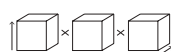


Laser Soap + Laser Faucet + Fuga Evo



ITEM	Capacity	Power	Sound level	Sensor	Adjustment (distance)	Voltage / Frequency
 Laser Faucet	3 / 1,89 l/min	-	-	Laser	•	220 AC 50 - 60 Hz
 Laser Soap	1,5 - 3 l	-	-	Laser	•	220 AC 50 - 60 Hz
 Fuga Evo	-	800 W	72 dBA	Laser	•	220 - 240 V 50 - 60 Hz

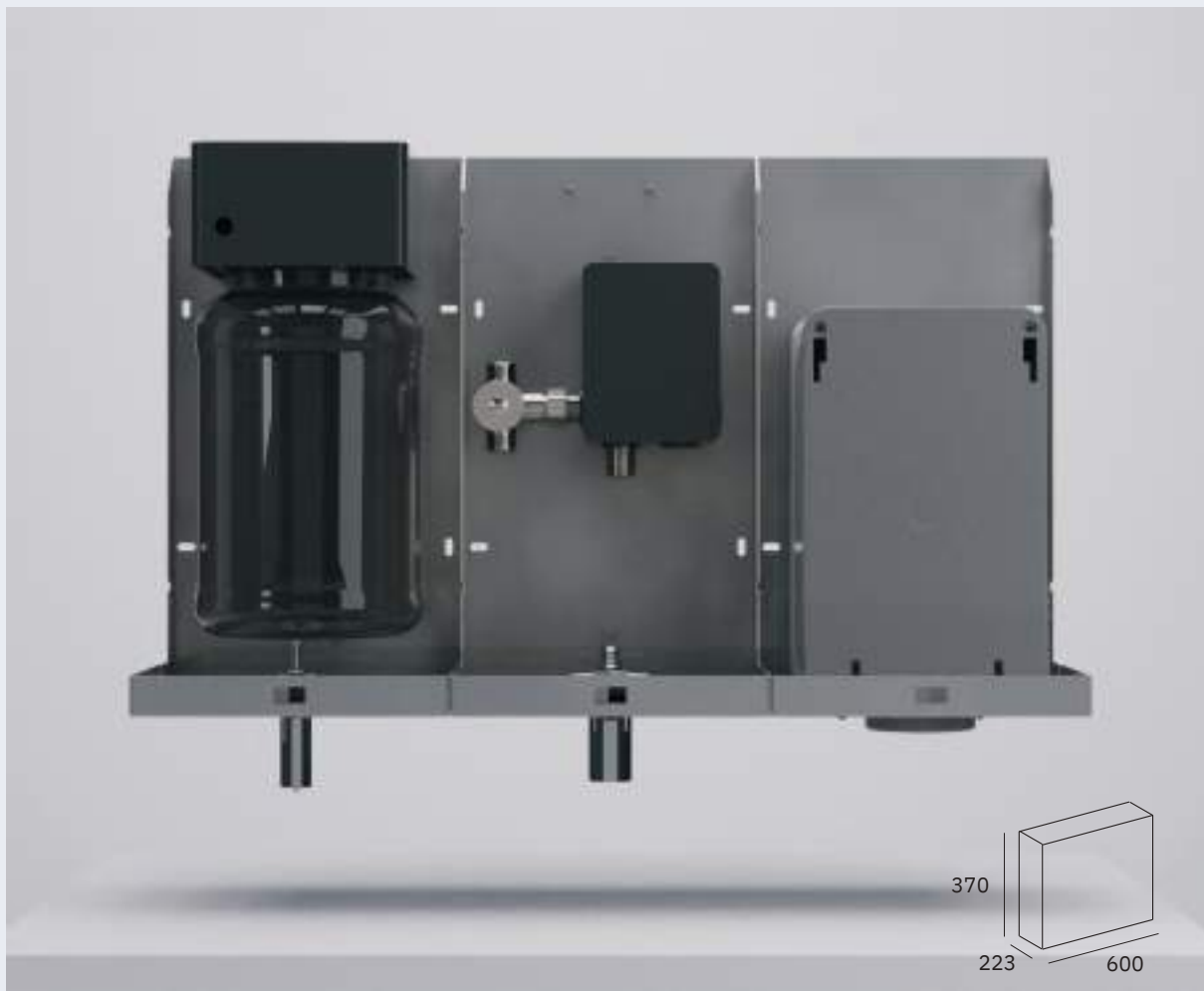
Product images provided are for information purpose only, the installation must include the connections between the elements.



SUPRA



MULTIFUNCTION

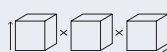


Laser Soap + Laser Faucet + Fusion



ITEM	Capacity	Power	Sound level	Sensor	Adjustment (distance)	Voltage / Frequency
Laser Faucet	3 / 1,89 l/min	-	-	Laser	●	220 AC 50 - 60 Hz
Laser Soap	1,5 - 3 l	-	-	Laser	●	220 AC 50 - 60 Hz
Fusion	-	700-900 W	66 dBA	Laser	●	220 - 240 V 50 - 60 Hz

Product images provided are for information purpose only, the installation must include the connections between the elements.



VELOX shared

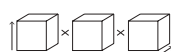


Laser Soap x 2 + Laser Faucet x 2 + Fuga Evo



ITEM	Capacity	Power	Sound level	Sensor	Adjustment (distance)	Voltage / Frequency
 Laser Faucet	3 / 1,89 l/min	-	-	Laser	•	220 AC 50 - 60 Hz
 Laser Soap	1,5 - 3 l	-	-	Laser	•	220 AC 50 - 60 Hz
 Fuga Evo	-	800 W	72 dBA	Laser	•	220 - 240 V 50 - 60 Hz

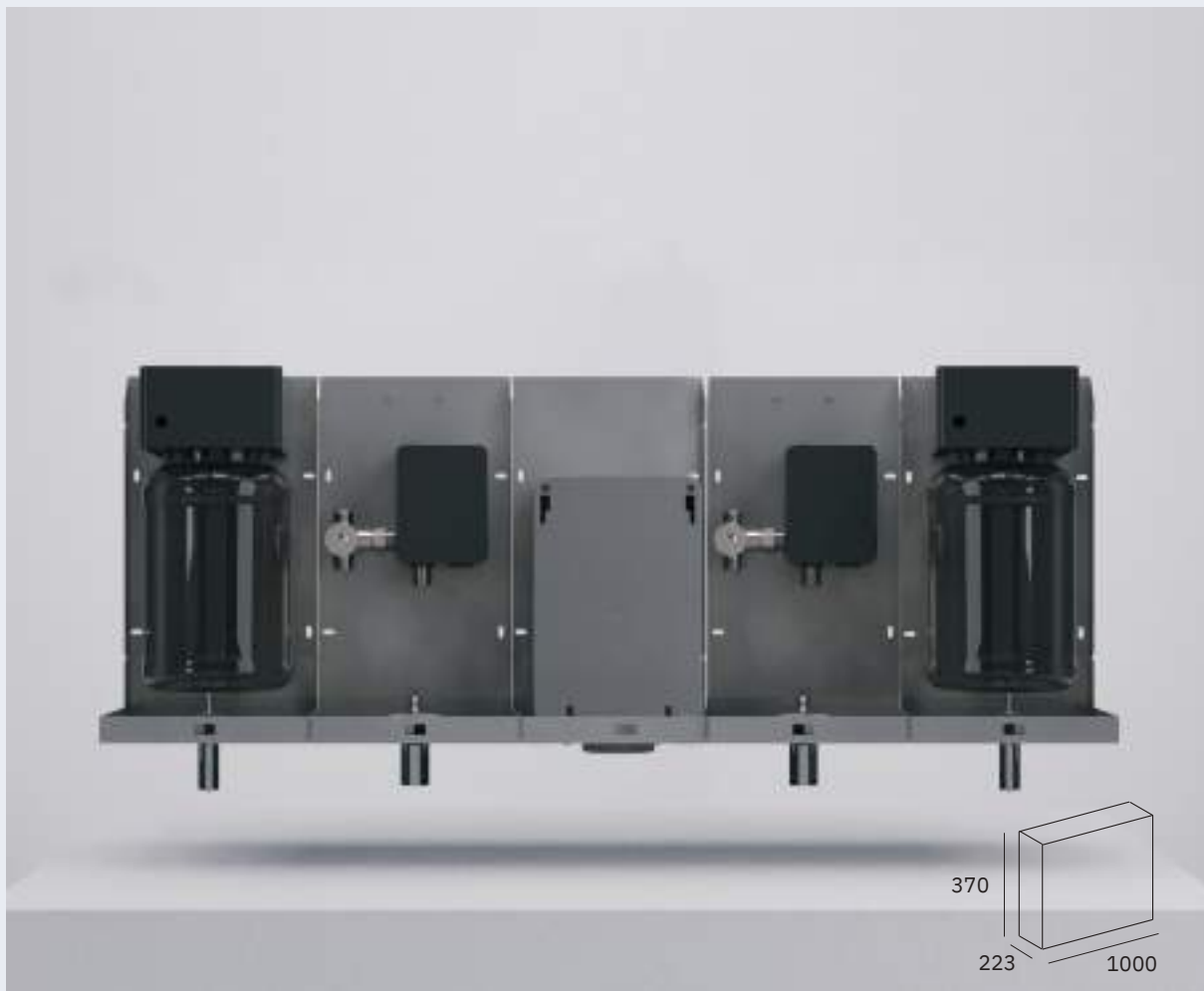
Product images provided are for information purpose only, the installation must include the connections between the elements.



SUPRA shared



MULTIFUNCTION

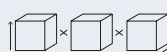


Laser Soap x 2 + Laser Faucet x 2 + Fusion

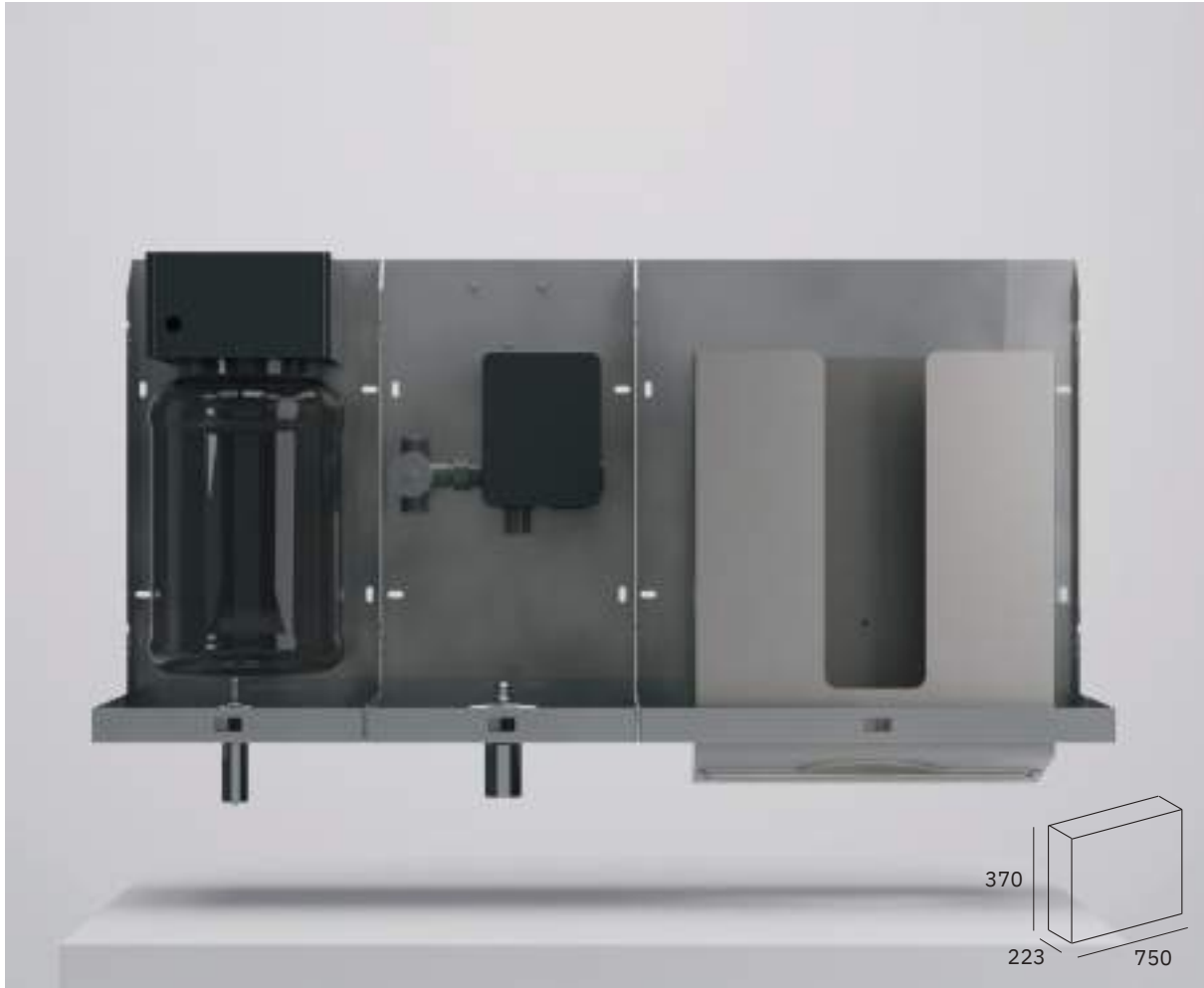


ITEM	Capacity	Power	Sound level	Sensor	Adjustment (distance)	Voltage / Frequency
 Laser Faucet	3 / 1,89 l/min	-	-	Laser	●	220 AC 50 - 60 Hz
 Laser Soap	1,5 - 3 l	-	-	Laser	●	220 AC 50 - 60 Hz
 Fusion	-	700-900 W	66 dBA	Laser	●	220 - 240 V 50 - 60 Hz

Product images provided are for information purpose only, the installation must include the connections between the elements.






TOWEL

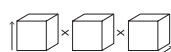


Laser Soap + Laser Faucet + Manual Paper

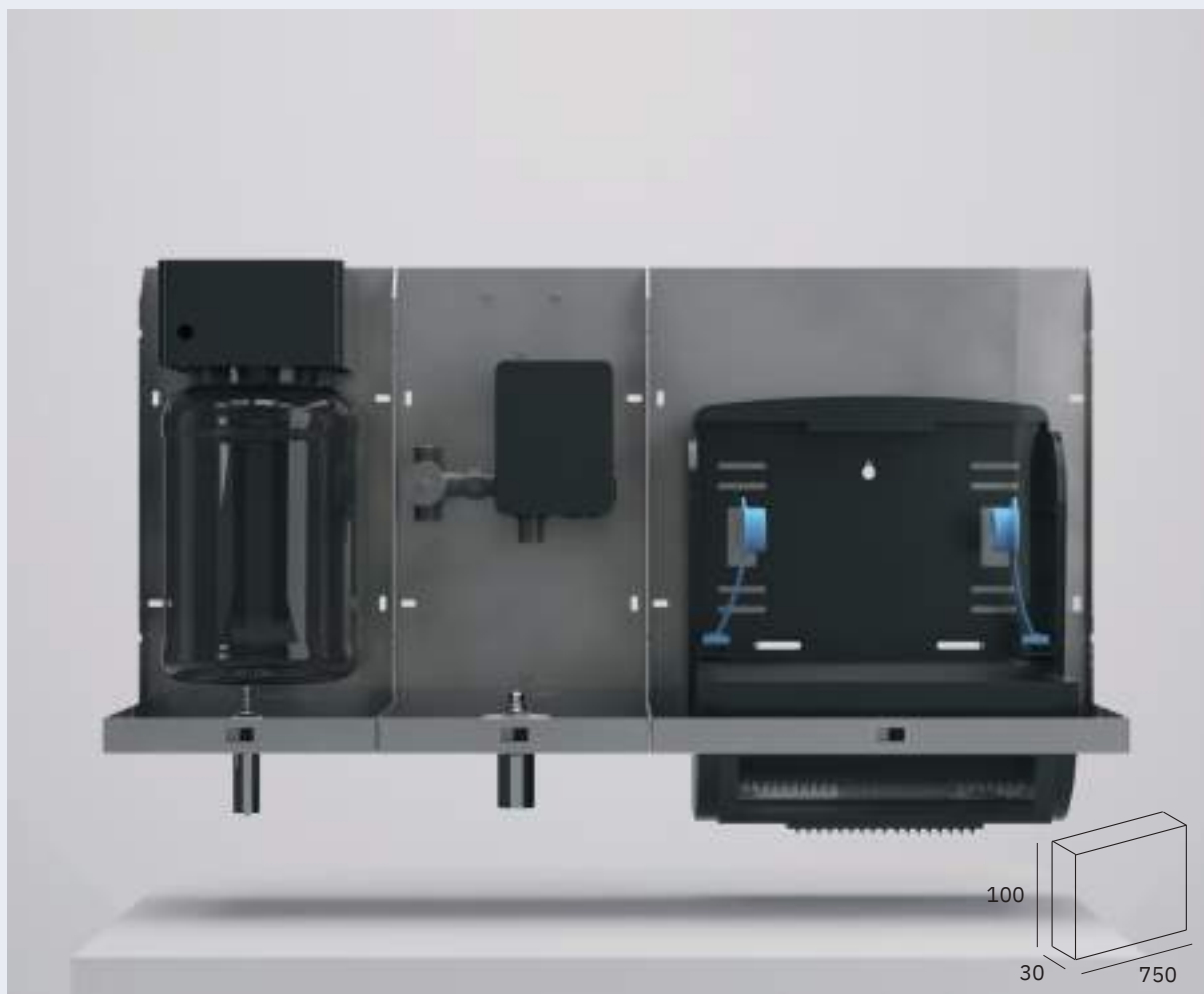


ITEM	Capacity	Sensor	Adjustment (distance)	Voltage / Frequency
 Laser Faucet	3 / 1,89 l/min	Laser	●	220 - 240 V 50 - 60 Hz
 Laser Soap	1,5 - 3 l	Laser	●	220 - 240 V 50 - 60 Hz
 Manual Paper	400 - 600	-	-	-

Product images provided are for information purpose only, the installation must include the connections between the elements.






AUTOTOWEL



Laser Soap + Laser Faucet + Automatic Paper



ITEM	Capacity	Sensor	Adjustment (distance)	Voltage / Frequency
 Laser Faucet	3 / 1,89 l/min	Laser	•	220 - 240 V 50 - 60 Hz
 Laser Soap	1,5 - 3 l	Laser	•	220 - 240 V 50 - 60 Hz
 Automatic Paper	200 - 220	Moisture	-	230 V AC

Product images provided are for information purpose only, the installation must include the connections between the elements.





BASIC

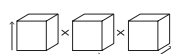


Automatic Soap + Bigflow Evo



ITEM	Capacity	Power	Sound level	Sensor	Adjustment (distance)	Voltage / Frequency
 Automatic Soap	1000 ml	-	-	IR	-	220 - 12 V
 Bigflow Evo	-	1200 - 2050 W	60 dBA	IR	-	220 - 240 V 50 - 60 Hz

Product images provided are for information purpose only, the installation must include the connections between the elements.





ESSENTIA



MULTIFUNCTION



Automatic Soap + Manual Paper

ITEM	Capacity	Sensor	Adjustment (distance)	Voltage / Frequency
 Automatic Soap	1000 ml	IR	-	220 - 12 V
 Manual Paper	400 - 600	-	-	-

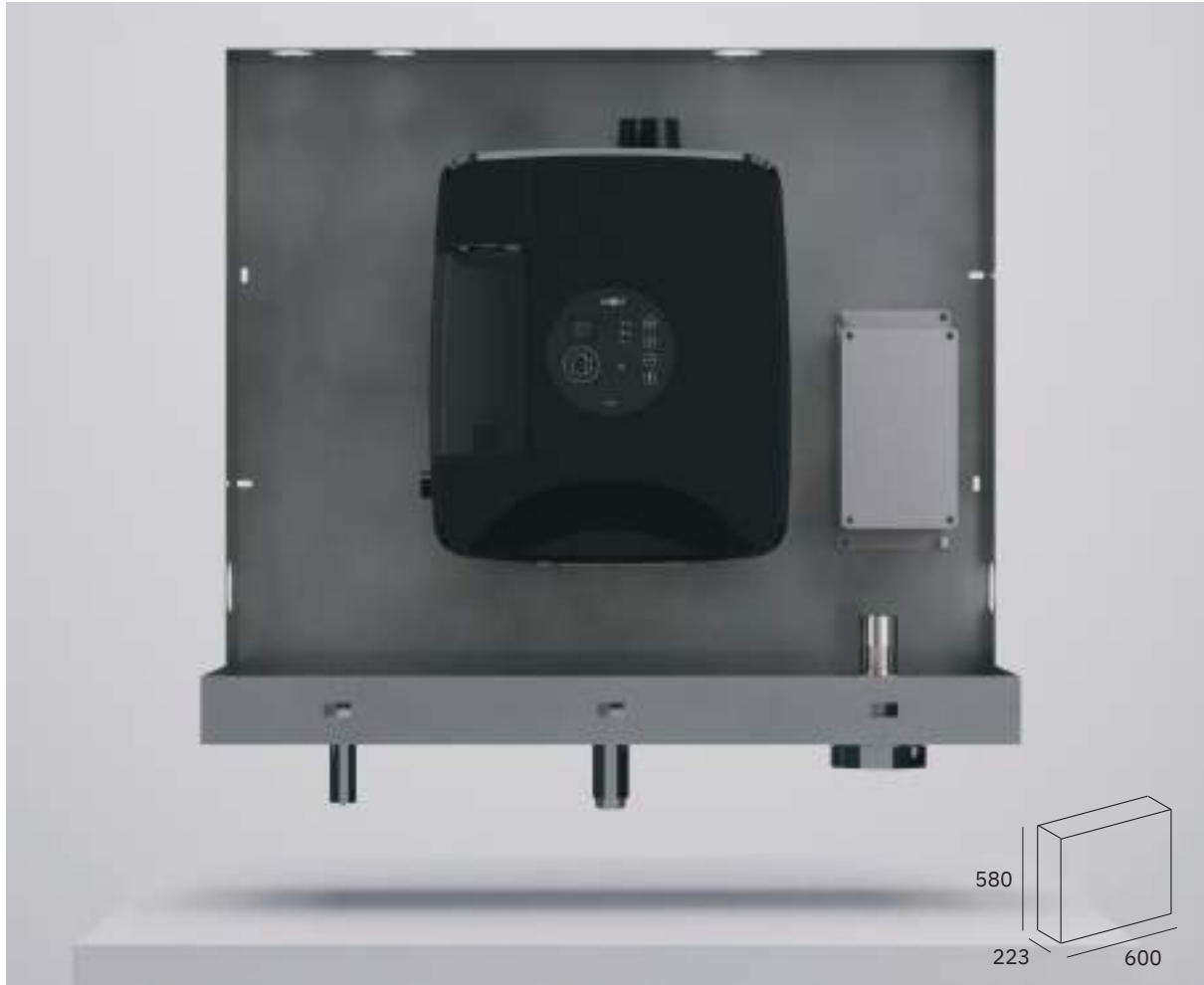
Product images provided are for information purpose only, the installation must include the connections between the elements.



PLUG & PLAY



CONCEPT³



Concept³

12053.CTS

LASER
sensor

ITEM	Capacity	Power	Sound level	Sensor	Adjustment (distance)	Voltage / Frequency
 	3-7 l /min (3 bar)	1200 W	65 dBA	Laser	●	-
	1,2 l					5 V
	-					220 - 240 V 50 - 60 Hz

Product images provided are for information purpose only, the installation must include the connections between the elements.

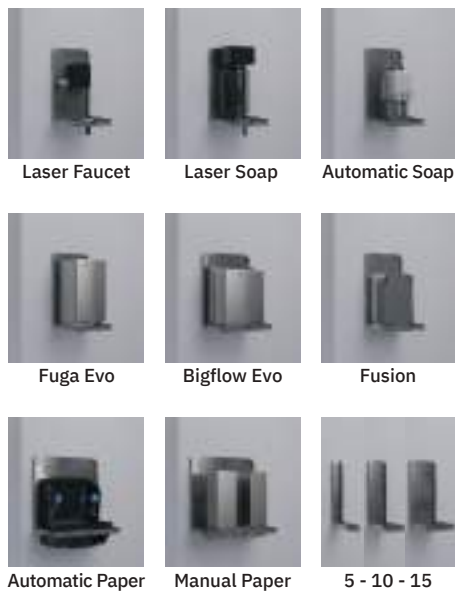


MULTIFUNCTION

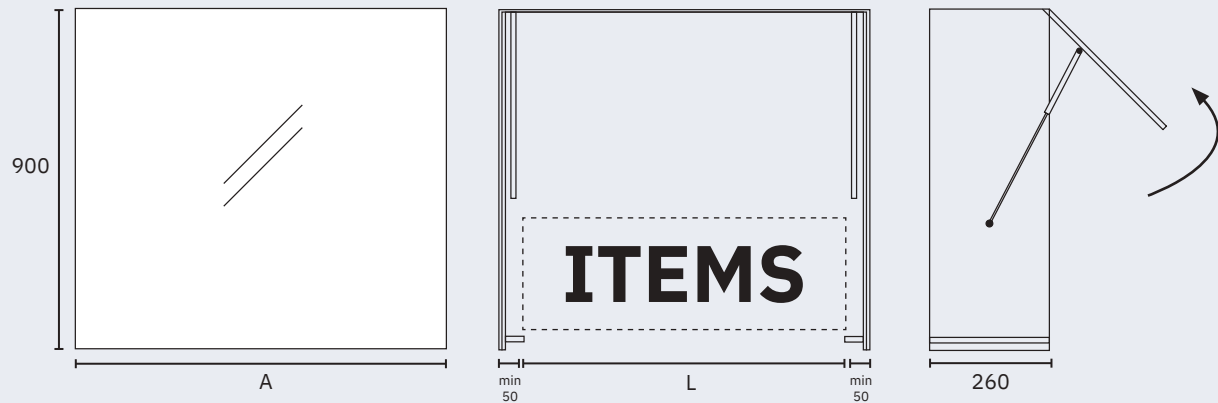


ITEM

Customize the unit to suit your installation



✓ Elegant minimalist cabinets for your MUMO



A (MM)	ITEMS + SKIN
700	<div style="display: flex; align-items: center;"> <div style="border: 1px solid black; padding: 5px; margin-right: 10px;"> ITEMS L ≤ 600 </div> <div style="border: 1px solid black; padding: 5px; margin-right: 10px;">12055.070</div> <div style="display: flex; gap: 10px;"> </div> </div>
800	<div style="display: flex; align-items: center;"> <div style="border: 1px solid black; padding: 5px; margin-right: 10px;"> ITEMS L ≤ 700 </div> <div style="border: 1px solid black; padding: 5px; margin-right: 10px;">12055.080</div> <div style="display: flex; gap: 10px;"> <div style="text-align: center;"> BASIC L = 410 </div> <div style="text-align: center;"> ESSENTIA L = 500 </div> <div style="text-align: center;"> VELOX L = 600 </div> <div style="text-align: center;"> SUPRA L = 600 </div> <div style="text-align: center;"> PLUG&PLAY L = 600 </div> </div> </div>
900	<div style="display: flex; align-items: center;"> <div style="border: 1px solid black; padding: 5px; margin-right: 10px;"> ITEMS L ≤ 800 </div> <div style="border: 1px solid black; padding: 5px; margin-right: 10px;">12055.090</div> <div style="display: flex; gap: 10px;"> </div> </div>
1000	<div style="display: flex; align-items: center;"> <div style="border: 1px solid black; padding: 5px; margin-right: 10px;"> ITEMS L ≤ 900 </div> <div style="border: 1px solid black; padding: 5px; margin-right: 10px;">12055.100</div> <div style="display: flex; gap: 10px;"> <div style="text-align: center;"> BASIC L = 410 </div> <div style="text-align: center;"> ESSENTIA L = 500 </div> <div style="text-align: center;"> VELOX L = 600 </div> <div style="text-align: center;"> SUPRA L = 600 </div> <div style="text-align: center;"> PLUG&PLAY L = 600 </div> <div style="text-align: center;"> TOWEL L = 750 </div> <div style="text-align: center;"> AUTOTOWEL L = 750 </div> </div> </div>
1200*	<div style="display: flex; align-items: center;"> <div style="border: 1px solid black; padding: 5px; margin-right: 10px;"> ITEMS L ≤ 1100 </div> <div style="border: 1px solid black; padding: 5px; margin-right: 10px;">12055.120</div> <div style="display: flex; gap: 10px;"> <div style="text-align: center;"> BASIC x 2 L = 820 </div> <div style="text-align: center;"> ESSENTIA x 2 L = 1000 </div> <div style="text-align: center;"> VELOX shared L = 1000 </div> <div style="text-align: center;"> SUPRA shared L = 1000 </div> </div> </div>

*Washbasins for 2 users.





EXTRA



- ✓ LED.
Lower perimeter lighting around the edge of the unit



- ✓ Safety hinges.
For replacements, maintenance



- ✓ Side mirror.
An elegant finish to an exposed side



- ✓ Adjusting strip.
Adapt the MUMO for a perfect fit

COUNTERTOPS



Solid Surface

DECOSAN

- ✓ Solid Surface is a material made up of two thirds of natural minerals and resins. Non-porous, antibacterial material, silky and warm to the touch. Customizable according to specification.

COUNTERTOPS



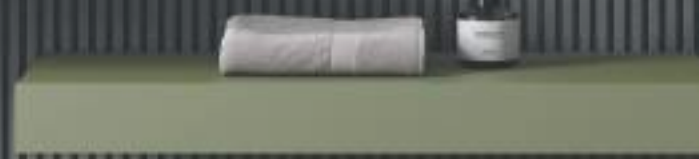
Inox

NOFER

- ✓ AISI 304 stainless steel washbasin, with wall fixing. Corrosion resistant and suitable for public spaces. Customizable according to customer needs.









ECO EFFICIENCY

airtap
fuga evo
fuga
fusion inox
fusion
fusion uv-c
fusion foot dryer inox
fusion foot dryer
fusion foot dryer uv-c
v-jet inox
v-jet (nofer)
v-jet (veltia)





Hand dryer tap on countertop. Eco-efficient, ultra fast drying time. Made in chromed brass.

GENERAL CHARACTERISTICS

Dimensions	189,5 x 45 x 211 mm 7 1/2" x 1 3/4" x 8 1/4"
Casing thickness	1,2 mm
Material	Chromed brass
Finish	Polished (.B)
Weight	4,9 Kg
Activation	Laser sensor
Voltage	220 - 240 V~
Frequency	50 - 60 Hz
Power	800 W
Power consumption	3,5 A
Electrical isolation	Class I
Index protection against ingress; dust and water	IPX1

MOTOR

Power	800 W
Speed	35000 rpm
Type	Universal
Electrical protection	Safety heat limiter

BENEFITS

Air temperature (20 °C ambient)	40 °C at 10 cm
Effective flow	2660 l/min
Airspeed	305 km/h
Estimated drying time	10-12 seconds
Noise level at 2 m	72 dbA

01910.B



03106.B

Automatic soap dispenser.

With AC adaptor.
Powered by bateries adding the component 90329

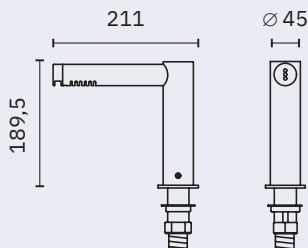


07250.B

Automatic tap



01910.B



90329

Battery adaptor for model 03106.B





Material
AISI 304 stainless steel

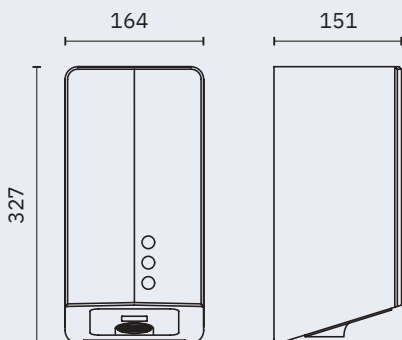
Finish
Satin (.S) Polished (.B) White (.W) Black (.N)

Ultra fast drying. Eco-efficient, compact design and minimal thickness. Activated by sensor. Available in several finishes: satin, polished, black, white ABS and other colours.

Combining with the rest of the EVO range.

GENERAL CHARACTERISTICS	
Dimensions	327 x 164 x 151 mm 1'-7/8" x 6 1/2" x 6"
Dimensions (only model 01841.W)	334 x 164 x 151 mm 1'-1 1/8" x 6 1/2" x 6"
Casing thickness	1,2 mm (ABS: 3 mm)
Weight	4,7 Kg (ABS: 4,2 Kg)
Activation	Laser sensor
Voltage	220 - 240 V~
Frequency	50 - 60 Hz
Power	800 W
Power consumption	3,5 A
Electrical isolation	Class I
Index protection against ingress; dust and water	IPX1
HYGIENE	
HEPA filter	YES
UV-C germicidal lamp (01831.UV model only)	YES
MOTOR	
Power	800 W
Speed	35000 rpm
Type	Universal
Electrical protection	Safety heat limiter
BENEFITS	
Air temperature (20 °C ambient)	40 °C at 10 cm
Effective flow	2660 l/min
Airspeed	305 km/h
Estimated drying time	10-12 seconds
Noise level at 2 m	72 dbA

*** AVAILABLE FROM THE SECOND HALF OF 2022.**



06029.FGE
HEPA filter



OTHER COLOURS

01831.S

01831.B

01831.N

01841.W

Material
ABS

01831.UV.S

01831.UV.B

01831.UV.N





NOER

Ultra fast drying. Eco-efficient, compact design and minimal thickness. Activated by sensor. Available in four finishes: satin, polished, white and ABS.

GENERAL CHARACTERISTICS

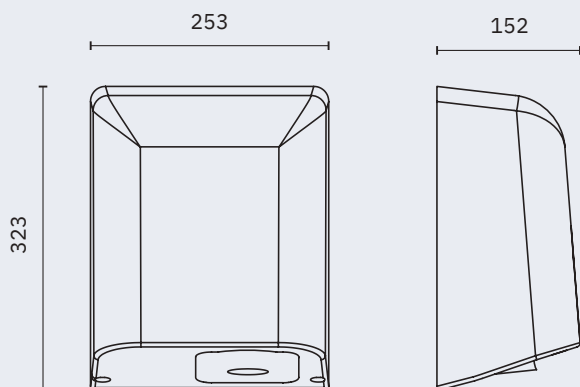
Dimensions	323 x 253 x 152 mm 1'-3/4" x 10 1/8" x 6"
Dimensions (only model 01861.W)	325 x 255 x 152 mm 1'-3/4" x 10 1/8" x 6"
Casing thickness	1,2 mm (ABS: 3 mm)
Weight	4,9 Kg (ABS: 3,6 Kg)
Activation	Sensor
Voltage	220 - 240 V~
Frequency	50 - 60 Hz
Power	800 W
Power consumption	3,5 A
Electrical isolation	Class I
Index protection against ingress; dust and water	IPX1

MOTOR

Power	800 W
Speed	35000 rpm
Type	Universal
Electrical protection	Safety heat limiter

BENEFITS

Air temperature cccccc (20 °C ambient)	40 °C at 10 cm
Effective flow	2660 l/min
Airspeed	305 km/h
Estimated drying time	10-12 seconds
Noise level at 2 m	72 dbA



01851.S

Material
AISI 304 stainless steel
Finish
Satin



01851.B

Material
AISI 304 stainless steel
Finish
Polished



01851.W

Material
Steel
Finish
White



01861.W

Material
ABS
Finish
White





Automatic ultra fast and silent hand dryer. High energy efficient and eco-friendly. Two settings: Turbo or Eco. Two types of outlet air: Multijet or Blade. Satin finish stainless steel casing.

GENERAL CHARACTERISTICS	
Dimensions	277 x 164 x 177 mm 1'-2 7/8" x 6 1/2" x 7"
Casing thickness	1 mm
Weight	3 Kg
Activation	Laser sensor
Voltage	220 - 240 V~
Frequency	50 - 60 Hz
Power	700-900 W
Power consumption	4 A
Electrical isolation	Class II
Index protection against ingress; dust and water	IP22
HYGIENE	
HEPA filter	YES
MOTOR	
Power	700-900 W
Speed	30000 rpm
Type	Universal
Electrical protection	Safety heat limiter
BENEFITS	
Effective flow	1990 l/min
Airspeed	452 km/h
Estimated drying time	6-12 seconds
Noise level at 2 m	66 dbA

01875.S

01875.UV.S

Material
AISI 304 stainless steel

Finish
Satin



HAND DRYER

MULTIJET



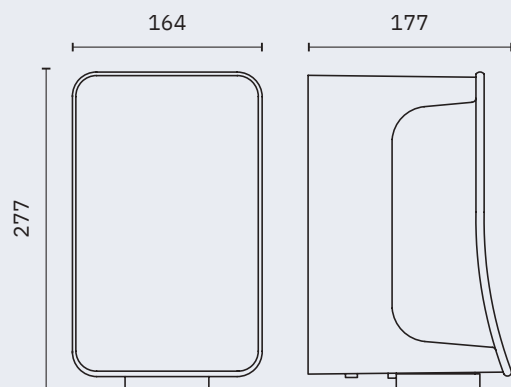
The blade air outlet is designed for quick and effective drying.

The patented Acoustic Cushioning system uses an air outlet consisting of inverted cone shaped holes which limit the sound level to maintain a quiet environment.

BLADE



The blade air outlet is designed for quick and effective drying.



06029.FSN

HEPA filter

Automatic ultra fast and silent hand dryer. Energy efficient and eco-friendly. Two settings: Turbo or Eco. Two types of outlet air: Multijet or Blade. ABS casing available in 15 colours.

GENERAL CHARACTERISTICS

Dimensions	277 x 164 x 177 mm 1'-2 7/8" x 6 1/2" x 7"
Casing thickness	3 mm
Weight	3 Kg
Activation	Laser sensor
Voltage	220 - 240 V~
Frequency	50 - 60 Hz
Power	700-900 W
Power consumption	4 A
Electrical isolation	Class II
Index protection against ingress; dust and water	IP22

HYGIENE

HEPA filter	YES
-------------	-----

MOTOR

Power	700-900 W
Speed	30000 rpm
Type	Universal
Electrical protection	Safety heat limiter

BENEFITS

Effective flow	1990 l/min
Airspeed	452 km/h
Estimated drying time	6-12 seconds
Noise level at 2 m	66 dbA



01871.W



01871.AM



01871.AS



01871.CH



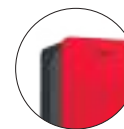
01871.N



01871.YL



01871.RF



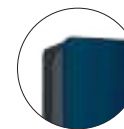
01871.RC



01871.RB



01871.SB



01871.DB



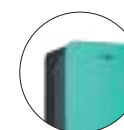
01871.AB



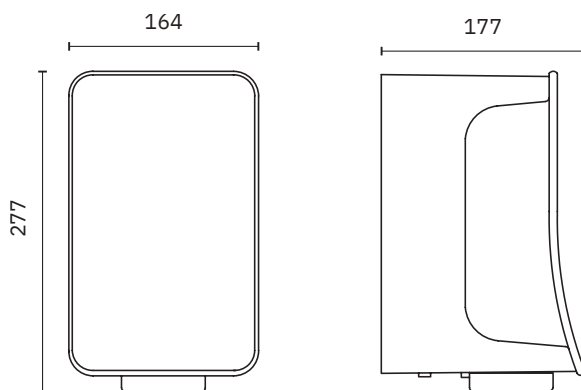
01871.PPK



01871.PK



01871.TQ



06029.FSN

HEPA filter

Automatic ultra fast and silent hand dryer. Sanitizes the environment: equipped with ultraviolet light, titanium catalyst and HEPA filter. Energy efficient and eco-friendly. ABS casing available in 15 colours.

GENERAL CHARACTERISTICS

Dimensions	277 x 164 x 177 mm 1'-2 7/8" x 6 1/2" x 7"
Casing thickness	3 mm
Weight	3 Kg
Activation	Laser sensor
Voltage	220 - 240 V~
Frequency	50 - 60 Hz
Power	700-900 W
Power consumption	4 A
Electrical isolation	Class II
Index protection against ingress; dust and water	IP22

HYGIENE

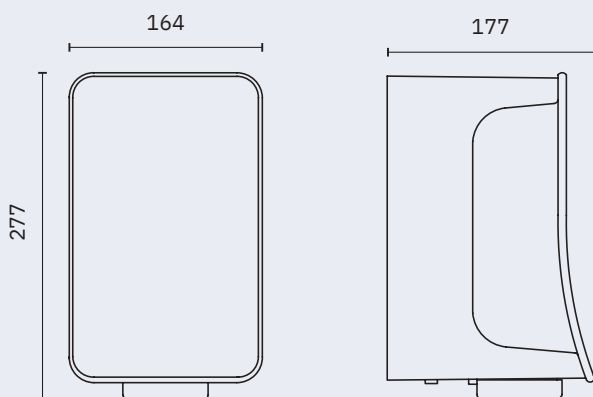
HEPA filter	YES
UV-C germicidal lamps	YES

MOTOR / HEATING ELEMENT

Power	700-900 W
Speed	30000 rpm
Type	Universal
Electrical protection	Safety heat limiter

BENEFITS

Effective flow	1990 l/min
Airspeed	452 km/h
Estimated drying time	6-12 seconds
Noise level at 2 m	66 dbA



06029.FSN

HEPA filter



01871.UV.W



01871.UV.AM



01871.UV.AS



01871.UV.CH



01871.UV.N



01871.UV.YL



01871.UV.RF



01871.UV.RC



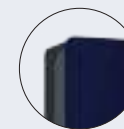
01871.UV.RB



01871.UV.SB



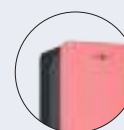
01871.UV.DB



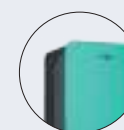
01871.UV.AB



01871.UV.PPK



01871.UV.PK



01871.UV.TQ



fusion foot dryer inox



Automatic ultra fast and silent foot dryer. High energy efficient and eco-friendly. Two settings: Turbo or Eco. Satin finish stainless steel casing.

01885.S

01885.UV.S

Material
AISI 304 stainless steel

Finish
Satin



GENERAL CHARACTERISTICS	
Dimensions	277 x 164 x 246 mm 1'-2 7/8" x 6 1/2" x 9 5/8"
Casing thickness	1 mm
Weight	3 Kg
Activation	Laser sensor
Voltage	220 - 240 V~
Frequency	50 - 60 Hz
Power	828 W
Power consumption	3,8 A
Electrical isolation	Class I
Index protection against ingress; dust and water	IP22
HYGIENE	
HEPA filter	YES
MOTOR	
Power	828 W
Speed	30000 rpm
Type	Universal
Electrical protection	Safety heat limiter
BENEFITS	
Effective flow	1990 l/min
Airspeed	452 km/h
Estimated drying time	8-10 seconds
Noise level at 2 m	68 dbA

MULTIJET



The blade air outlet is designed for quick and effective drying.

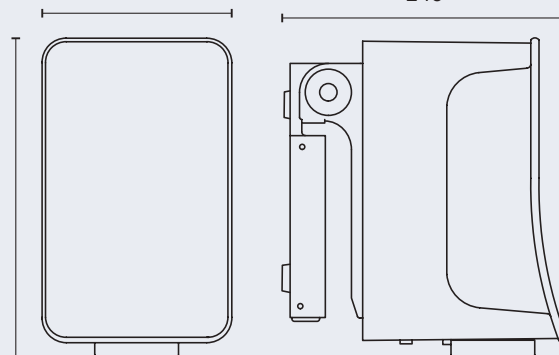
The patented Acoustic Cushioning system uses an air outlet consisting of inverted cone shaped holes which limit the sound level to maintain a quiet environment.



277

164

246



BLADE

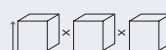


The blade air outlet is designed for quick and effective drying.



06029.FSN

HEPA filter



fusion foot dryer



Automatic ultra fast and silent foot dryer. High energy efficient and eco-friendly. Two settings: Turbo or Eco. ABS casing available in 15 colours.

GENERAL CHARACTERISTICS	
Dimensions	277 x 164 x 246 mm 1'-2 7/8" x 6 1/2" x 9 5/8"
Casing thickness	3 mm
Weight	3 Kg
Activation	Laser sensor
Voltage	220 - 240 V~
Frequency	50 - 60 Hz
Power	828 W
Power consumption	3,8 A
Electrical isolation	Class I
Index protection against ingress; dust and water	IP22
HYGIENE	
HEPA filter	YES
MOTOR	
Power	828 W
Speed	30000 rpm
Type	Universal
Electrical protection	Safety heat limiter
BENEFITS	
Effective flow	1990 l/min
Airspeed	452 km/h
Estimated drying time	8-10 seconds
Noise level at 2 m	68 dbA



01881.W



01881.AM



01881.AS



01881.CH



01881.N



01881.YL



01881.RF



01881.RC



01881.RB



01881.SB



01881.DB



01881.AB



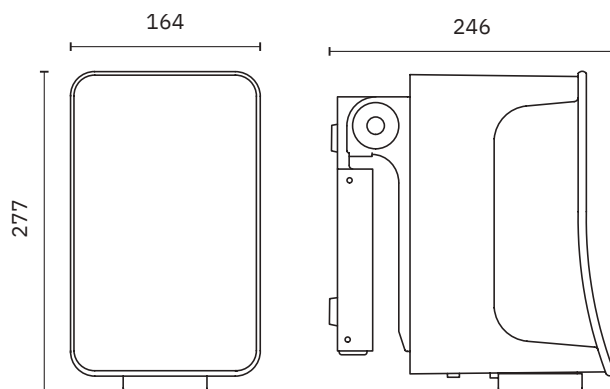
01881.PPK



01881.PK

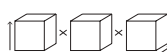


01881.TQ



06029.FSN

HEPA filter



fusion foot dryer uv-c



Automatic ultra fast and silent foot dryer. Sanitizes the environment: equipped with ultraviolet light, titanium catalyst and HEPA filter. Energy efficient and eco-friendly. ABS casing available in 15 colours.

GENERAL CHARACTERISTICS

Dimensions	277 x 164 x 246 mm 1'-2 7/8" x 6 1/2" x 9 5/8"
Casing thickness	3 mm
Weight	3 Kg
Activation	Laser sensor
Voltage	220 - 240 V~
Frequency	50 - 60 Hz
Power	828 W
Power consumption	3,8 A
Electrical isolation	Class I
Index protection against ingress; dust and water	IP22

HYGIENE

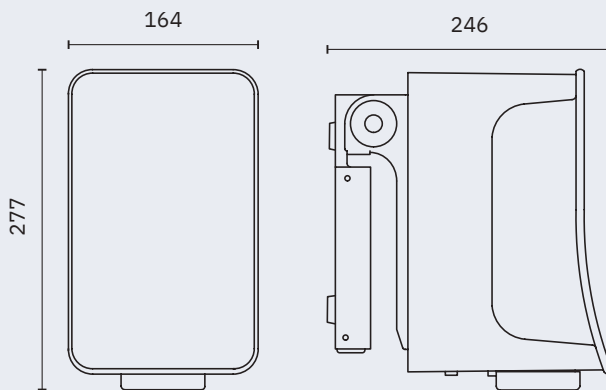
HEPA filter	YES
UV-C germicidal lamps	YES

MOTOR

Power	828 W
Speed	30000 rpm
Type	Universal
Electrical protection	Safety heat limiter

BENEFITS

Effective flow	1990 l/min
Airspeed	452 km/h
Estimated drying time	8-10 seconds
Noise level at 2 m	68 dbA

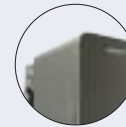


06029.FSN

HEPA filter



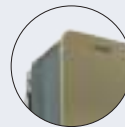
01881.UV.W



01881.UV.AM



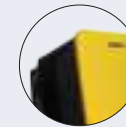
01881.UV.AS



01881.UV.CH



01881.UV.N



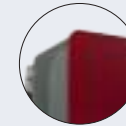
01881.UV.YL



01881.UV.RF



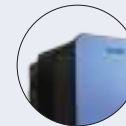
01881.UV.RC



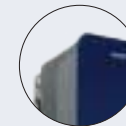
01881.UV.RB



01881.UV.SB



01881.UV.DB



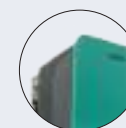
01881.UV.AB



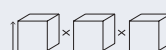
01881.UV.PPK



01881.UV.PK



01881.UV.TQ





Hand dryer with high speed air current drying system. Stainless steel casing. Sturdy, vandal proof and safe. High performance and efficiency. Uses up to 85% less power than other hand dryers.

01330.S

Material
AISI 304 stainless steel

Finish
Satin



HAND DRYER

GENERAL CHARACTERISTICS

Dimensions	730 x 300 x 222 mm 2'-4 3/4" x 11 3/4" x 8 3/4"
Casing thickness	1,2 mm
Weight	12,5 Kg
Activation	Sensor
Voltage	220 - 240 V~
Frequency	50 - 60 Hz
Power	1650 W
Power consumption	7,2 A
Electrical isolation	Class I
Index protection against ingress; dust and water	IPX4

HYGIENE

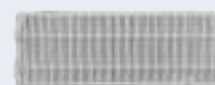
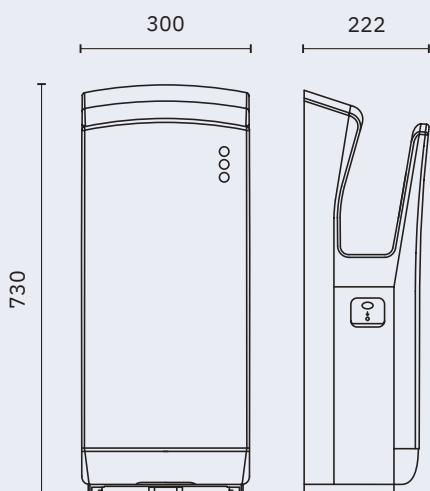
HEPA filter	YES
-------------	-----

MOTOR / HEATING ELEMENT

Power	800 W
Speed	21000 rpm
Type	Universal
Electrical protection	Safety heat limiter
Heating element	850 W

BENEFITS

Air temperature (20 °C ambient)	38 °C
Effective flow	4377 l/min
Airspeed	342 km/h
Estimated drying time	11-12 seconds
Noise level at 2 m	72 dbA



06029.VJI

HEPA filter



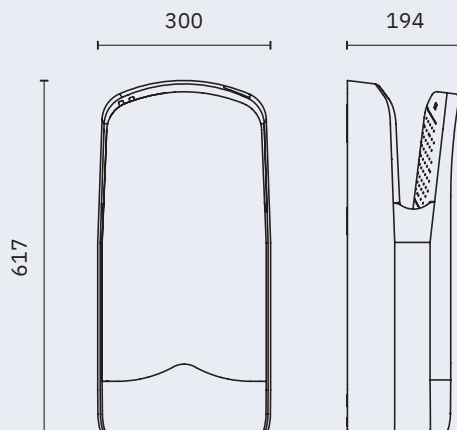
V300

The V300 hand dryer has an anti-splash drying system high speed air currents. Simply place your hands in the drying area for a few seconds to dry.

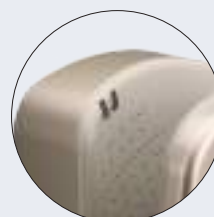
TRIBLADE

Ultra fast drying system by high speed air currents. How to use: insert your hands in the drying area, moving them up and down.

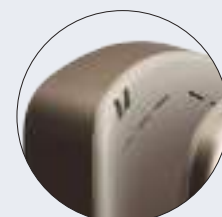
GENERAL CHARACTERISTICS	
Dimensions	617 x 300 x 194 mm 2'-0 1/4" x 11 7/8" x 7 3/4"
Casing thickness	3 mm
Weight	9,55 Kg
Activation	Sensor
Voltage	220 - 230 - 240 V~
Frequency	50 - 60 Hz
Power	1760 W
Power consumption	8 A
Electrical isolation	Class II
Index protection against ingress; dust and water	IPX1
HYGIENE	
HEPA filter	Optional
Ion Shield	Optional
MOTOR	
Power	1760 W
Speed	30000 rpm
Type	Universal
Electrical protection	Safety heat limiter
BENEFITS	
Effective flow	3600 l/min
Airspeed	370 km/h
Estimated drying time	10-15 seconds
Noise level at 2 m	70 dbA
EXTENDABLE WARRANTY TO 5 YEARS. Request information	



V300



TRIBLADE





v-jet



3 YEARS OF WARRANTY

V300

The V300 hand dryer has an anti-splash drying system by high speed air currents. Simply place your hands in the drying area for a few seconds to dry.

TRIBLADE

Ultra fast drying system by high speed air currents. How to use: insert your hands in the drying area, moving them up and down.



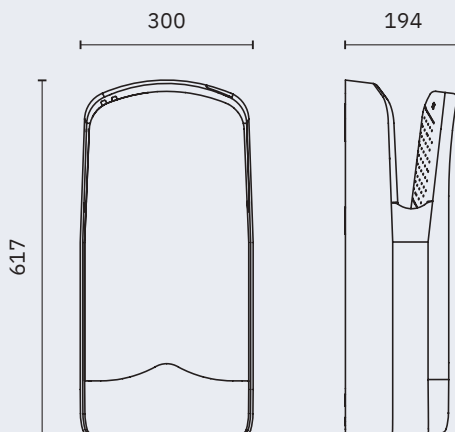
HAND DRYER

GENERAL CHARACTERISTICS	
Dimensions	617 x 300 x 194 mm 2'-0 1/4" x 11 7/8" x 7 3/4"
Casing thickness	3 mm
Weight	9,55 Kg
Activation	Sensor
Voltage	220 - 230 - 240 V~
Frequency	50 - 60 Hz
Power	1760 W
Power consumption	8 A
Electrical isolation	Class II
Index protection against ingress; dust and water	IPX1
HYGIENE	
HEPA filter	YES
Ion Shield	Optional
MOTOR	
Power	1760 W
Speed	30000 rpm
Type	Universal
Electrical protection	Safety heat limiter
BENEFITS	
Effective flow	3600 l/min
Airspeed	370 km/h
Estimated drying time	10-15 seconds
Noise level at 2 m	70 dbA

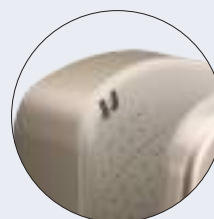
EXTENDABLE WARRANTY TO 5 YEARS. Request information



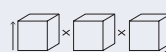
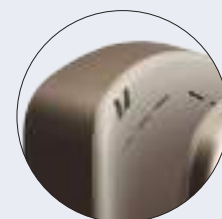
ZeroSmell



V300



TRIBLADE



IONSHIELD
ion technology
by QuatBio



06029.VJET



06035.01

06035.04

ION SHIELD

The application of the Ion-Shield technology to hand dryers is one of the most revolutionary developments in the industry in recent times. And Veltia is the first company to incorporate this technology. This technology not only improves the hygiene of hands' drying but it also acts as a cleaner and purifier of the air in the bathroom or the space where it is located.

With Ion-Shield, the dryer emits 20 million negative ions per cm³. These ions attract the particles of dirt and pollution. Then they stick together and fell down by the effect of gravity.

With this system, we clean the air of bacteria, mites, and bad odors, resulting in a cleaner and more pleasant environment.

HEPA FILTER

The HEPA filters H13 are composed of a mesh with a diameter of between 0.5 and 2 micrometers. This type of filter is designed to retain the smallest pollutants and particles, thereby improving the efficiency in the elimination of most of the contaminant residues. Veltia's H13 HEPA filters are positioned as one of the main and most effective air filters on the market thanks to its high efficiency and effectiveness in removing quickly up to 99.97% of polluting particles in suspension.

ZERO SMELL

ZeroSmell not only neutralizes bad odours within the surrounding area, but leaves a slight and pleasant fragrance which increases the user's experience and perception

ZeroSmell is an innovative product that can be used to remove bad odours. With the maximum level of efficiency in areas where bad smells are usually present in both domestic and professional environments.

Currently, there is no other product on the market as effective as ZeroSmell. Most other products are usually air fresheners that only cover the bad smell with perfumes. They claim to eliminate bad odours when they actually only cover them.



Hepa	Yes				No (Optional)			
Zero Smell	Yes				No (Optional)			
Model	V300		Triblade		V300		Triblade	
Ion Shield	Yes	No	Yes	No	Yes	No	Yes	No
	01304.IW	01304.W	01306.IW	01306.W	01303.IW	01303.W	01305.IW	01305.W
	01304.IAS	01304.AS	01306.IAS	01306.AS	01303.IAS	01303.AS	01305.IAS	01305.AS
	01304.IN	01304.N	01306.IN	01306.N	01303.IN	01303.N	01305.IN	01305.N
	01304.ICH	01304.CH	01306.ICH	01306.CH	01303.ICH	01303.CH	01305.ICH	01305.CH
	01304.IDB	01304.DB	01306.IDB	01306.DB	01303.IDB	01303.DB	01305.IDB	01305.DB
	01304.IAB	01304.AB	01306.IAB	01306.AB	01303.IAB	01303.AB	01305.IAB	01305.AB
	01304.IRF	01304.RF	01306.IRF	01306.RF	01303.IRF	01303.RF	01305.IRF	01305.RF
	01304.ICR	01304.CR	01306.ICR	01306.CR	01303.ICR	01303.CR	01305.ICR	01305.CR
	01304.IBD	01304.BD	01306.IBD	01306.BD	01303.IBD	01303.BD	01305.IBD	01305.BD





DURABILITY

windflow
cyclon
thin evo
thin



NOER

Automatic activation hand dryer with design casing. Long Life motor to increase the average life of the device. Available finishes: satin, polished and white.

01151.S

Material
AISI 304 stainless steel
Finish
Satin



01151.B

Material
AISI 304 stainless steel
Finish
Polished



01151.W

Material
Steel
Finish
White



GENERAL CHARACTERISTICS

Dimensions	280 x 280 x 210 mm 11" x 11" x 8 1/4"
Casing thickness	1,5 / 1,2 mm
Weight	5,8 Kg
Activation	Laser sensor*
Voltage	220 - 240 V~
Frequency	50 - 60 Hz
Power	2450 W
Power consumption	10,6 A
Electrical isolation	Class I
Index protection against ingress; dust and water	IPX1

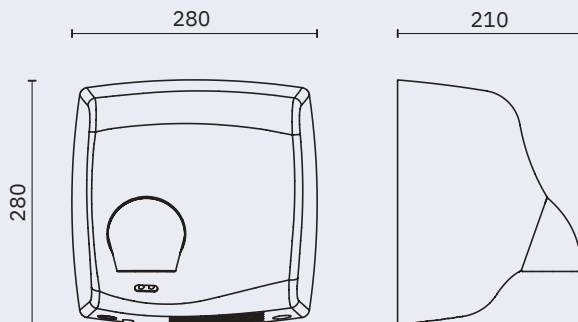
MOTOR / HEATING ELEMENT

Power	250 W
Speed	6500 rpm
Type	Universal
Electrical protection	Safety heat limiter
Heating element	2200 W

BENEFITS

Air temperature (20 °C ambient)	53 °C at 10 cm
Effective flow	5500 l/min
Airspeed	117 km/h
Estimated drying time	28 seconds
Noise level at 2 m	70 dbA

* AVAILABLE FROM THE SECOND HALF OF 2022.





Robust and vandalproof, a classic for all kinds of environments. Long Life motor which increases the average life of the device. Available finishes: satin, polished and white.

GENERAL CHARACTERISTICS

Dimensions	240 x 265 x 210 mm 9 1/2" x 10 3/8" x 8 1/4"
Casing thickness	1,5 mm / 1,2 mm
Weight	5,5 Kg
Activation	Push button
Voltage	220 - 240 V~
Frequency	50 - 60 Hz
Power	2450 W
Power consumption	10,6 A
Electrical isolation	Class I
	IPX1

MOTOR / HEATING ELEMENT

Power	250 W
Speed	6500 rpm
Type	Universal
Electrical protection	Safety heat limiter
Heating element	2200 W

BENEFITS

Air temperature (20 °C ambient)	53 °C at 10 cm
Effective flow	5500 l/min
Airspeed	117 km/h
Estimated drying time	28 seconds
Noise level at 2 m	70 dbA

01100.S

Material
AISI 304 stainless steel

Finish
Satin



01100.B

Material
AISI 304 stainless steel

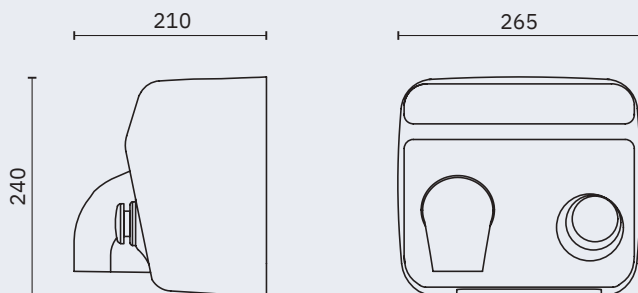
Finish
Polished



01100.W

Material
AISI 304 stainless steel

Finish
White





NOER

Robust and vandalproof, a classic for all kind of environments. Long Life motor to increase the average life of the device. Available finishes: satin, polished and white.

GENERAL CHARACTERISTICS

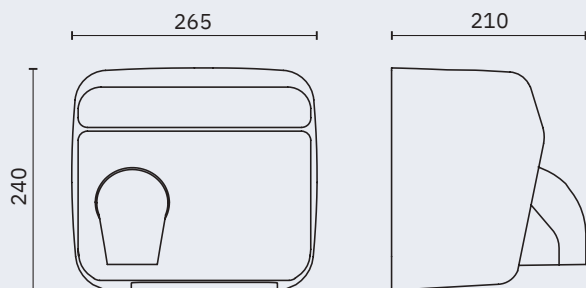
Dimensions	240 x 265 x 210 mm 9 1/2" x 10 3/8" x 8 1/4"
Casing thickness	1,5 mm / 1,2 mm
Weight	5,5 Kg
Activation	Sensor
Voltage	220 - 240 V~
Frequency	50 - 60 Hz
Power	2450 W
Power consumption	10,6 A
Electrical isolation	Class I
Index protection against ingress of dust and water	IPX1

MOTOR / HEATING ELEMENT

Power	250 W
Speed	6500 rpm
Type	Universal
Electrical protection	Safety heat limiter
Heating element	2200 W

BENEFITS

Air temperature (20 °C ambient)	53 °C at 10 cm
Effective flow	5500 l/min
Airspeed	117 km/h
Estimated drying time	28 seconds
Noise level at 2 m	70 dbA



01101.S

Material
AISI 304 stainless steel

Finish
Satin



01101.B

Material
AISI 304 stainless steel

Finish
Polished



01101.W

Material
AISI 304 stainless steel

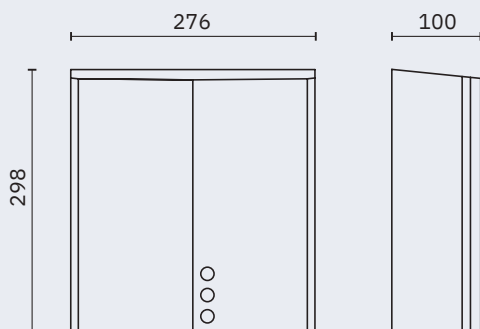
Finish
White





Electronic automatic hand dryer with stainless steel casing. Minimum depth and matching design with the rest of the EVO range.

GENERAL CHARACTERISTICS	
Dimensions	298 x 276 x 100 mm 11 3/4" x 10 7/8" x 3 7/8"
Casing thickness	1,5 mm
Weight	4,5 Kg
Activation	Sensor
Voltage	220 - 240 V~
Frequency	50 - 60 Hz
Power	400 - 950 W
Power consumption	4,2 A
Electrical isolation	Class I
Index protection against ingress; dust and water	IPX1
HYGIENE	
HEPA filter	Optional
MOTOR / HEATING ELEMENT	
Power	400 W
Speed	35000 rpm
Type	Universal
Electrical protection	Safety heat limiter
Heating element	0 W - 550 W
BENEFITS	
Air temperature (20 °C ambient)	37 °C at 10 cm
Effective flow	1248 l/min
Airspeed	288 km/h
Estimated drying time	15 seconds
Noise level at 2 m	70 dbA



01610.S

Material
AISI 304 stainless steel
Finish
Satin



01610.B

Material
AISI 304 stainless steel
Finish
Polished



HAND DRYER

06029.THE

HEPA filter optional



Minimum depth for adapted environments, heavy duty and automatic activation. Available finishes: satin, polished and white.

GENERAL CHARACTERISTICS	
Dimensions	269 x 363 x 100 mm 10 5/8" x 1'-2 1/4" x 3 7/8"
Casing thickness	1,2 mm
Weight	4 Kg
Activation	Sensor
Voltage	220 - 240 V~
Frequency	50 - 60 Hz
Power	2350 W
Power consumption	9,56 A
Electrical isolation	Class I
Index protection against ingress; dust and water	IPX1
MOTOR / HEATING ELEMENT	
Power	250 W
Speed	8300 rpm
Type	Universal
Electrical protection	Safety heat limiter
Heating element	2100 W
BENEFITS	
Air temperature (20 °C ambient)	39 °C at 10 cm
Effective flow	2400 l/min
Airspeed	90 km/h
Estimated drying time	33 seconds
Noise level at 2 m	69 dbA

01600.S

Material
AISI 304 stainless steel

Finish
Satin



01600.B

Material
AISI 304 stainless steel

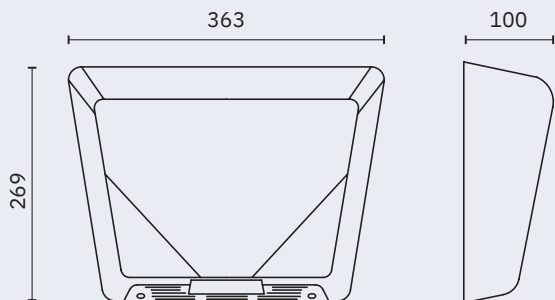
Finish
Polished



01600.W

Material
AISI 304 stainless steel

Finish
White







PRICE & QUALITY

bigflow evo

bigflow uv-c evo

bigflow

kai

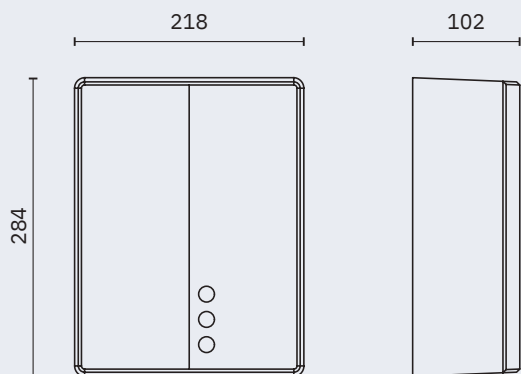
compact

NOER



Automatic sensor activated hand dryer. Selectable power by switch. Compact design and minimum depth. Available in several finishings: satin, polished, black, white and white ABS. Matching design with the rest of the EVO range.

GENERAL CHARACTERISTICS	
Dimensions	284 x 218 x 102 mm 11 1/4" x 8 5/8" x 4"
Dimensions (only model 01491.W)	286 x 222 x 100 mm 11 1/4" x 8 3/4" x 3 7/8"
Casing thickness	1,2 mm (ABS: 3 mm)
Weight	2,73 Kg (ABS: 2,2 Kg)
Activation	Sensor
Voltage	220 - 240 V~
Frequency	50 - 60 Hz
Power	1450 W / 2050 W
Power consumption	9 A
Electrical isolation	Class II
Index protection against ingress; dust and water	IPX1
HYGIENE	
HEPA filter	Optional
MOTOR / HEATING ELEMENT	
Power	110 W
Speed	2800 rpm
Type	Brushless
Electrical protection	Safety heat limiter
Heating element	1450 W / 2050 W
BENEFITS	
Air temperature (20 °C ambient)	60 °C
Effective flow	2300 l/min
Airspeed	65 km/h
Estimated drying time	40 seconds
Noise level at 2 m	60 dbA



06029.BFE



Bigflow
EVO HEPA filter

01481.S

Material
AISI 304 stainless steel

Finish
Satin



01481.B

Material
AISI 304 stainless steel

Finish
Polished



01481.N

Material
AISI 304 stainless steel

Finish
Negro



01481.W

Material
AISI 304 stainless steel

Finish
White



01491.W

Material
ABS

Finish
White



NOER

NOER

GENERAL CHARACTERISTICS

Dimensions	284 x 218 x 102 mm 11 1/4" x 8 5/8" x 4"
Dimensions (only model 01491.UV.W)	286 x 222 x 100 mm 11 1/4" x 8 3/4" x 3 7/8"
Casing thickness	1,2 mm (ABS: 3 mm)
Weight	2,73 Kg (ABS: 2,2 Kg)
Activation	Sensor
Voltage	220 - 240 V~
Frequency	50 - 60 Hz
Power	1450 W / 2050 W
Power consumption	9 A
Electrical isolation	Class II
Index protection against ingress; dust and water	IPX1

HYGIENE

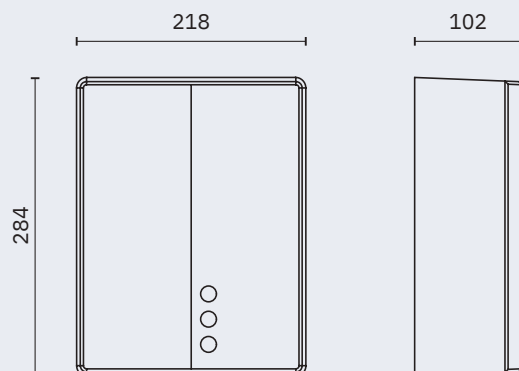
HEPA filter	Optional
UV-C germicidal lamp	YES

MOTOR / HEATING ELEMENT

Power	110 W
Speed	2800 rpm
Type	Brushless
Electrical protection	Safety heat limiter
Heating element	1450 W / 2050 W

BENEFITS

Air temperature (20 °C ambient)	60 °C
Effective flow	2300 l/min
Airspeed	65 km/h
Estimated drying time	40 seconds
Noise level at 2 m	60 dbA



06029.BFE



Bigflow
EVO HEPA filter.

01481.UV.S

Material
AISI 304 stainless steel
Finish
Satin



01481.UV.B

Material
AISI 304 stainless steel
Finish
Polished



01481.UV.N

Material
AISI 304 stainless steel
Finish
Black



01481.UV.W

Material
AISI 304 stainless steel
Finish
White



01491.UV.W

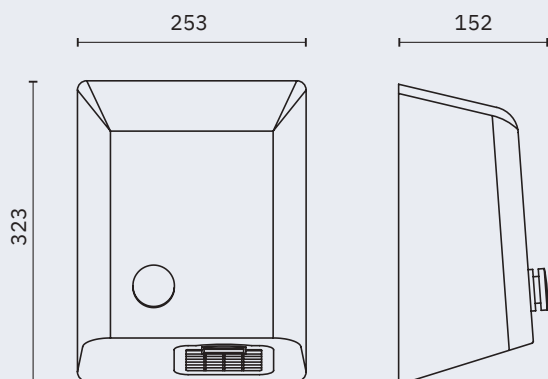
Material
ABS
Finish
White





Automatic sensor activated hand dryer. Selectable power by switch. Compact design and minimum depth. Four finishes available: satin, polished, white and white ABS.

GENERAL CHARACTERISTICS	
Dimensions	323 x 253 x 152 mm 1'-3/4" x 10 1/8" x 6"
Dimensions (only model 01460.W)	325 x 248 x 152 mm 1'-0 3/4" x 9 3/4" x 6"
Casing thickness	1,2 mm (ABS: 3 mm)
Weight	3,9 Kg (ABS: 2,6 Kg)
Activation	Push button
Voltage	220 - 240 V~
Frequency	50 - 60 Hz
Power	2050 W
Power consumption	9 A
Electrical isolation	Class II
Index protection against ingress; dust and water	IPX1
MOTOR / HEATING ELEMENT	
Power	110 W
Speed	2800 rpm
Type	Brushless
Electrical protection	Safety heat limiter
Heating element	1840 W
BENEFITS	
Air temperature (20 °C ambient)	60 °C
Effective flow	2300 l/min
Airspeed	65 km/h
Estimated drying time	40 seconds
Noise level at 2 m	60 dbA



01450.S

Material
AISI 304 stainless steel
Finish
Satin



01450.B

Material
AISI 304 stainless steel
Finish
Polished



01450.W

Material
Steel
Finish
White



01460.W

Material
ABS
Finish
White

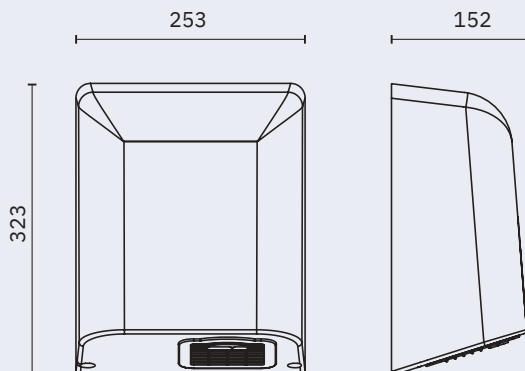




NOER

Automatic sensor activated hand dryer. Brushless motor.
Four finishes available: satin, polished, white and white ABS.

GENERAL CHARACTERISTICS	
Dimensions	323 x 253 x 152 mm 1'-3/4" x 10 1/8" x 6"
Dimensions (only model 01461.W)	325 x 248 x 152 mm 1'-3/4" x 9 3/4" x 6"
Casing thickness	1,2 mm (ABS: 3 mm)
Weight	3,9 Kg (ABS: 2,6 Kg)
Activation	Sensor
Voltage	220 - 240 V~
Frequency	50 - 60 Hz
Power	2050 W
Power consumption	9 A
Electrical isolation	Class II
Index protection against ingress; dust and water	IPX1
MOTOR / HEATING ELEMENT	
Power	110 W
Speed	2800 rpm
Type	Brushless
Electrical protection	Safety heat limiter
Heating element	1840 W
BENEFITS	
Air temperature (20 °C ambient)	60 °C
Effective flow	2300 l/min
Airspeed	65 km/h
Estimated drying time	40 seconds
Noise level at 2 m	60 dbA



01451.S

Material
AISI 304 stainless steel
Finish
Satin



01451.B

Material
AISI 304 stainless steel
Finish
Polished



01451.W

Material
Steel
Finish
White



01461.W

Material
ABS
Finish
White





NOER

Push button activated hand dryer, classic design available in three finishes: satin, polished and white.

01250.S

Material
AISI 304 stainless steel
Finish
Satin



GENERAL CHARACTERISTICS

Dimensions	240 x 270 x 170 mm 9 1/2" x 10 5/8" x 6 3/4"
Casing thickness	1,00 mm
Weight	3,5 Kg
Activation	Push button
Voltage	220 - 240 V~
Frequency	50 - 60 Hz
Power	1500 W
Power consumption	6,6 A
Electrical isolation	Class II
Index protection against ingress; dust and water	IPX1

01250.B

Material
AISI 304 stainless steel
Finish
Polished



MOTOR / HEATING ELEMENT

Power	110 W
Speed	2800 rpm
Type	Brushless
Electrical protection	Safety heat limiter
Heating element	1350 W

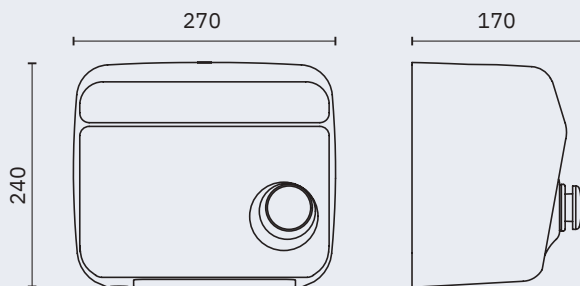
01250.W


Material
AISI 304 stainless steel
Finish
White



BENEFITS

Air temperature (20 °C ambient)	50 °C
Effective flow	2300 l/min
Airspeed	65 km/h
Estimated drying time	40 seconds
Noise level at 2 m	60 dbA



A sleek, metallic, rounded square object is centered in the frame. The object has a brushed metal finish and a smooth, rounded top edge. On the upper right portion of its top surface, the word "NOER" is printed in a clean, sans-serif font. The object is set against a light gray background that features a subtle gradient and a soft shadow beneath the object, suggesting it is resting on a white surface. The overall aesthetic is modern and minimalist.

NOER

Automatic sensor activated hand dryer, classic design available in three finishes: satin, polished and white.

GENERAL CHARACTERISTICS

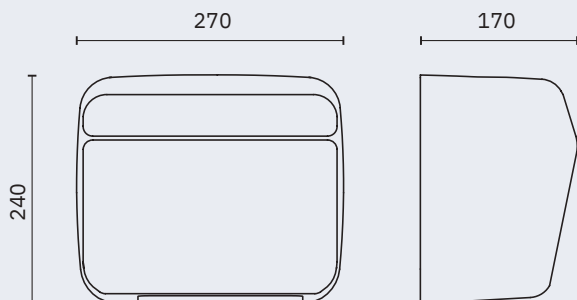
Dimensions	240 x 270 x 170 mm 9 1/2" x 10 5/8" x 6 3/4"
Casing thickness	1,00 mm
Weight	3,5 Kg
Activation	Sensor
Voltage	220 - 240 V~
Frequency	50 - 60 Hz
Power	1500 W
Power consumption	6,6 A
Electrical isolation	Class II
Index protection against ingress; dust and water	IPX1

MOTOR / HEATING ELEMENT

Power	110 W
Speed	2800 rpm
Type	Brushless
Electrical protection	Safety heat limiter
Heating element	1350 W

BENEFITS

Air temperature (20 °C ambient)	50 °C
Effective flow	2300 l/min
Airspeed	65 km/h
Estimated drying time	40 seconds
Noise level at 2 m	60 dbA



01251.S

Material
AISI 304 stainless steel

Finish
Satin



01251.B

Material
AISI 304 stainless steel

Finish
Polished



01251.W

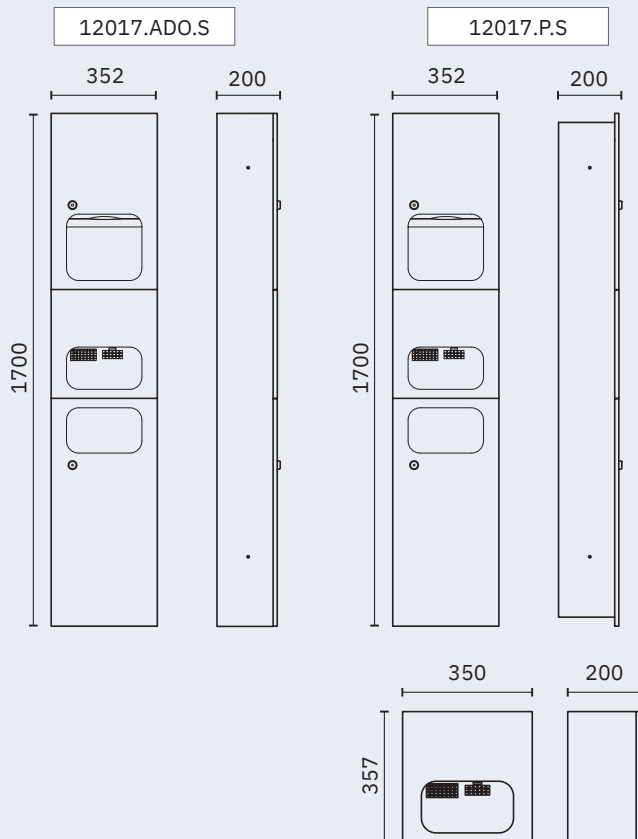
Material
AISI 304 stainless steel

Finish
White





GENERAL CHARACTERISTICS	
Dimensions (12017.HD model)	1700 (459) x 352 x 200 mm 5'-6 7/8" (1'-6 1/8") x 1'-1 7/8" x 7 7/8"
Rough wall opening dimensions (12017.HD model)	1650 (410) x 300 x 195 mm 5'-5" (1'-4 1/8") x 11 3/4" x 7 5/8"
Casing thickness (furniture)	1,2 mm
Activation	Sensor
Voltage	220 - 240 V~
Frequency	50 - 60 Hz
Power	1500 W
Power consumption	6,6 A
Electrical isolation	Class II
Index protection against ingress; dust and water	IPX1
MOTOR / HEATING ELEMENT	
Power	110 W
Speed	2800 rpm
Type	Brushless
Electrical protection	Safety heat limiter
Heating element	1350 W
BENEFITS	
Air temperature (20 °C ambient)	50 °C
Effective flow	2300 l/m
Airspeed	65 km/h
Estimated drying time	40 seconds
Noise level at 2 m	60 dbA



12017.ADO.S

Kit for surface mounted installation of compact units 12017.P.S and 12019.P.S.

Material
AISI 304 stainless steel

Finish
Satin

12017.ADO.S



12017.P.S + 12017.ADO.S



HAND DRYER

12017.P.S

Flush mounted compact unit with Kai hand dryer, towel paper dispenser and bin

Towel paper dispenser capacity
300 - 500 uses

Bin capacity
18 litres

Material
AISI 304 stainless steel

Finish
Satin



12017.HD.S

Flush mounted compact unit with Kai hand dryer





12017.ADO.S

12017.ADO.S

Kit for surface mounted installation of compact units 12017.P.S and 12019.P.S.

Material
AISI 304 stainless steel

Finish
Satin

12019.P.S + 12017.ADO.S



12019.P.S

Flush mounted compact unit with Cyclon hand dryer, towel paper dispenser and bin

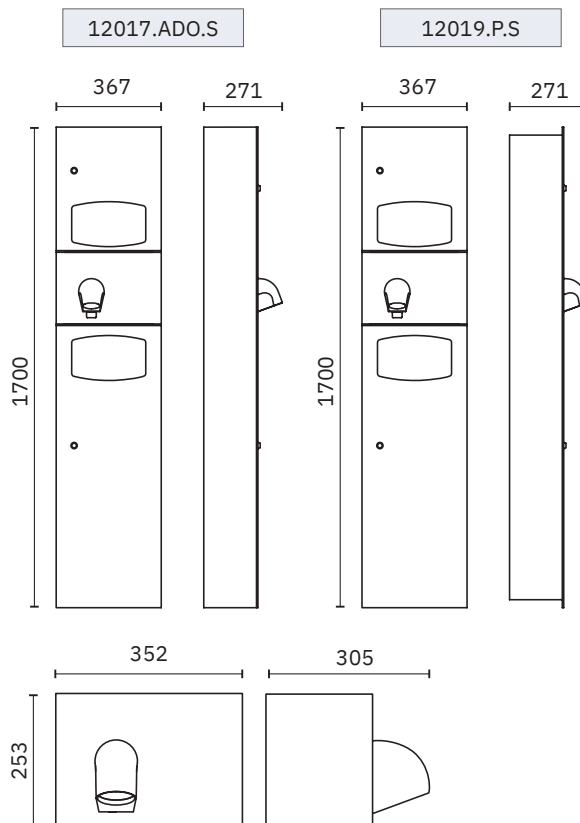
Towel paper dispenser capacity
400 - 600 uses

Bin capacity
25,5 litres

Material
AISI 304 stainless steel

Finish
Satin








GENERAL CHARACTERISTICS	
Dimensions (12019.HD model dimensions)	1700 (330) x 352 x 200 mm 5'-6 7/8" (1'-1") x 1'-1 7/8" x 7 7/8"
Rough wall opening dimensions (12019.HD model dimensions)	1650 (310) x 310 x 195 mm 5'-5" (1'-0 1/4") x 11 7/8" x 7 5/8"
Casing thickness (furniture)	1,2 mm
Activation	Sensor
Voltage	220 - 240 V~
Frequency	50 - 60 Hz
Power	2450 W
Power consumption	10,6 A
Electrical isolation	Class I
Index protection against ingress; dust and water	IPX1
MOTOR / HEATING ELEMENT	
Power	250 W
Speed	6500 rpm
Type	Universal
Electrical protection	Safety heat limiter
Heating element	2200 W
BENEFITS	
Air temperature (20 °C ambient)	53 °C at 10 cm
Effective flow	5500 l/min
Airspeed	117 km/h
Estimated drying time	28 seconds
Noise level at 2 m	70 dbA









12019.HD.S

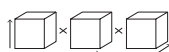
Flush mounted compact unit with Cyclon hand dryer










	CONCEPT ³	AIRTAP	FUGA EVO / FUGA EVO UV-C	FUGA	FUSION / FUSION INOX	FUSION UV-C / FUSION INOX UV-C	V-JET INOX
							
GENERAL CHARACTERISTICS							
Activation	Laser sensor	Laser sensor	Laser sensor	Sensor	Laser sensor	Laser sensor	Sensor
Voltage	220 - 240 V~	220 - 240 V~	220 - 240 V~	220 - 240 V~	220 - 240 V~	220 - 240 V~	220 - 240 V~
Frequency	50 - 60 Hz	50 - 60 Hz	50 - 60 Hz	50 - 60 Hz	50 - 60 Hz	50 - 60 Hz	50 - 60 Hz
Power	1200 W	800 W	800 W	800 W	700 - 900 W	700 - 900 W	1650 W
Power consumption	5,3 A	3,5 A	3,5 A	3,5 A	4 A	4 A	7,2 A
Electrical isolation	Class II	Class I	Class I	Class I	Class II	Class II	Class I
Index protection against ingress; dust and water	IP34	IPX1	IPX1	IPX1	IP22	IP22	IPX4
Push button adjustable time	-	-	-	-	-	-	-
Automatic stop vandalism	YES	YES	YES	YES	YES	YES	YES
Adjustable sensor sensitivity	5 to 23 cm	5 to 23 cm	5 to 23 cm	10 to 50 cm	10 to 20 cm	10 to 20 cm	-
HYGIENE							
HEPA filter	Optional	-	YES	-	YES	YES	YES
UV-C germicidal lamps	-	-	- / YES	-	-	YES	-
Ion Shield	-	-	-	-	-	-	-
MOTOR							
Power	1200 W	800 W	800 W	800 W	700 - 900 W	700 - 900 W	800 W
Speed	32000 rpm	35000 rpm	35000 rpm	35000 rpm	30000 rpm	30000 rpm	21000 rpm
Type	Universal	Universal	Universal	Universal	Universal	Universal	Universal
Electrical protection	Safety heat limiter	Safety heat limiter	Safety heat limiter	Safety heat limiter	Safety heat limiter	Safety heat limiter	Safety heat limiter
HEATING ELEMENT							
Power	-	-	-	-	-	-	850 W
Thread	-	-	-	-	-	-	Ni-Crom
Type	-	-	-	-	-	-	Lamina
Support	-	-	-	-	-	-	Mica
Electrical protection	-	-	-	-	-	-	Safety heat limiter
CASING							
Material	Forged aluminium / ABS	Chromed brass	AISI 304 SS / ABS / AISI 304 SS	AISI 304 Stainless steel / Painted steel / ABS	ABS / AISI 304 SS	ABS / AISI 304 SS	AISI 304 Stainless steel and ABS
Finish	Gold - Polished - Black - Silver	Polished	Satin - Polished - White	Satin - Polished - White	Colours / Satin	Colours / Satin	Satin
Thickness	-	-	1,2 mm / ABS: 3 mm / 1,2 mm	1,2 mm ABS: 3 mm	-	-	-
DIMENSIONS							
Height x Width x Depth (mm)	Box: 307 x 281,4 x 210		327 x 164 x 151 ABS: 334 x 164 x 151 / 327 x 164 x 151	323 x 253 x 152 ABS: 325 x 255 x 152	277 x 164 x 177	277 x 164 x 177	730 x 300 x 222
Weight	3,1 Kg		4,7 Kg / ABS: 4,2 Kg / 4,7 Kg	4,9 Kg ABS: 3,6 Kg	3 Kg	3 Kg	12,5 Kg
BENEFITS							
Air temperature (20 °C ambient)	-	40 °C at 10 cm	40 °C at 10 cm	40 °C at 10 cm	-	-	38 °C
Effective flow		2660 l/min	2660 l/min	2660 l/min	1990 l/min	1990 l/min	4377 l/min
Airspeed	-	305 km/h	305 km/h	305 km/h	452 km/h	452 km/h	342 km/h
Estimated drying time	14-15 s	10-12 s	10-12 s	10-12 s	6-12 s	6-12 s	11-12 s
Noise level at 2 m	65 dbA	72 dbA	72 dbA	72 dbA	66 dbA	66 dbA	72 dbA



	FUSION FOOT DRYER / FUSION FOOT DRYER INOX	FUSION FOOT DRYER UV-C / FUSION FOOT DRYER INOX UV-C	VELTIA / V-JET	VELTIA TRIBLADE / V-JET TRIBLADE	WINDFLOW	CYCLON
						
GENERAL CHARACTERISTICS						
Activation	Laser sensor	Laser sensor	Sensor	Sensor	Laser sensor	Sensor / Push button
Voltage	220 - 240 V~	220 - 240 V~	220 - 230 - 240 V~	220 - 230 - 240 V~	220 - 240 V~	220 - 240 V~
Frequency	50 - 60 Hz	50 - 60 Hz	50 - 60 Hz	50 - 60 Hz	50 - 60 Hz	50 - 60 Hz
Power	828 W	828 W	1760 W	1760 W	2450 W	2450 W
Power consumption	3,8 A	3,8 A	8 A	8 A	10,6 A	10,6 A
Electrical isolation	Class I	Class I	Class II	Class II	Class I	Class I
Index protection against ingress; dust and water	IP22	IP22	IPX1	IPX1	IPX1	IPX1
Push button adjustable time	-	-	-	-	-	10 to 90 s
Automatic stop vandalism	YES	YES	YES	YES	YES	YES
Adjustable sensor sensitivity	10 to 20 cm	10 to 20 cm	-	-	5 to 23 cm	10 to 50 cm
HYGIENE						
HEPA filter	YES	YES	YES / Optional	YES / Optional	-	-
UV-C germicidal lamps	-	YES	-	-	-	-
Ion Shield	-	-	Optional	Optional	-	-
MOTOR						
Power	828 W	828 W	1760 W	1760 W	250 W	250 W
Speed	30000 rpm	30000 rpm	30000 rpm	30000 rpm	6500 rpm	6500 rpm
Type	Universal	Universal	Universal	Universal	Universal	Universal
Electrical protection	Safety heat limiter	Safety heat limiter	Safety heat limiter	Safety heat limiter	Safety heat limiter	Safety heat limiter
HEATING ELEMENT						
Power	-	-	-	-	2200 W	2200 W
Thread	-	-	-	-	Ni-Crom	Ni-Crom
Type	-	-	-	-	Spiral	Spiral
Support	-	-	-	-	Mica	Mica / Ceramic
Electrical protection	-	-	-	-	Safety heat limiter	Safety heat limiter
CASING						
Material	ABS / AISI 304 SS	ABS / AISI 304 SS	ABS	ABS	AISI 304 stainless steel / Painted steel	AISI 304 SS / Painted steel
Finish	Colours / Satin	Colours / Satin	Available in colours	Available in colours	Satin - Polished - White	Satin - Polished - White
Thickness	-	-	-	-	1,5 / 1,2 mm	1,5 / 1,2 mm
DIMENSIONS						
Height x Width x Depth (mm)	277 x 164 x 246	277 x 164 x 246	617 x 300 x 194	617 x 300 x 194	280 x 280 x 210	240 x 265 x 210
Weight	3 Kg	3 Kg	9,55 Kg	9,55 Kg	5,8 Kg	5,5 Kg
BENEFITS						
Air temperature (20 °C ambient)	-	-	-	-	53 °C at 10 cm	53 °C at 10 cm
Effective flow	1990 l/min	1990 l/min	3600 l/min	4650 l/min	5500 l/min	5500 l/min
Airspeed	452 km/h	452 km/h	370 km/h	340 km/h	117 km/h	117 km/h
Estimated drying time	8-10 s	8-10 s	10-15 s	6-8 s	28 s	28 s
Noise level at 2 m	68 dbA	68 dbA	70 dbA	75 dbA	70 dbA	70 dbA



	THIN EVO	THIN	BIGFLOW EVO	BIGFLOW EVO UV-C	BIGFLOW	KAI	COMPACT (KAI) / COMPACT (CYCLON)
							
GENERAL CHARACTERISTICS							
Activation	Sensor	Sensor	Sensor	Sensor	Sensor / Push button	Sensor / Push button	Sensor
Voltage	220 - 240 V~	220 - 240 V~	220 - 240 V~	220 - 240 V~	220 - 240 V~	220 - 240 V~	220 - 240 V~
Frequency	50 - 60 Hz	50 - 60 Hz	50 - 60 Hz	50 - 60 Hz	50 - 60 Hz	50 - 60 Hz	50 - 60 Hz
Power	490 - 950 W	2350 W	1450 W / 2050 W	1450 W / 2050 W	2050 W	1500 W	1500 W / 2450 W
Power consumption	4,2 A	9,56 A	9 A	9 A	9 A	6,6 A	6,6 A / 10,6 A
Electrical isolation	Class I	Class I	Class II	Class II	Class II	Class II	Class II / Class I
Index protection against ingress; dust and water	IPX1	IPX1	IPX1	IPX1	IPX1	IPX1	IPX1
Adjustable time button	-	-	-	-	10 to 90 s	10 to 90 s	10 to 90 s
Automatic stop vandalism	YES	YES	YES	YES	YES	YES	YES
Adjustable sensor sensitivity	12 to 25 cm	10 to 50 cm	10 to 50 cm	10 to 50 cm	10 to 50 cm	10 to 50 cm	10 to 50 cm
HYGIENE							
HEPA filter	Optional	-	Optional	Optional	-	-	-
UV-C germicidal lamps	-	-	-	YES	-	-	-
Ion Shield	-	-	-	-	-	-	-
MOTOR							
Power	400 W	250 W	110 W	110 W	110 W	110 W	110 W / 250 W
Speed	35000 rpm	8300 rpm	2800 rpm	2800 rpm	2800 rpm	2800 rpm	2800 rpm / 6500 rpm
Type	Universal	Universal	Brushless	Brushless	Brushless	Brushless	Brushless / Universal
Electrical protection	Safety heat limiter	Safety heat limiter	Safety heat limiter	Safety heat limiter	Safety heat limiter	Safety heat limiter	Safety heat limiter
HEATING ELEMENT							
Power	0 W / 550 W	2100 W	1450 W / 2050 W	1450 W / 2050 W	1840 W	1350 W	1350 W / 2200 W
Thread	Ni-Crom	Ni-Crom	Ni-Crom	Ni-Crom	Ni-Crom	Ni-Crom	Ni-Crom
Type	Spiral	Spiral	Lamina	Lamina	Spiral	Spiral	Spiral
Support	Mica	Ceramic	Mica	Mica	Mica	Mica	Mica / Ceramic
Electrical protection	Safety heat limiter	Safety heat limiter	Safety heat limiter	Safety heat limiter	Safety heat limiter	Safety heat limiter	Safety heat limiter
CASING							
Material	AISI 304 stainless steel	AISI 304 stainless steel	AISI 304 stainless steel / Painted steel / ABS	AISI 304 stainless steel / Painted steel / ABS	AISI 304 stainless steel / Painted steel / ABS	AISI 304 stainless steel / Painted steel	AISI 304 stainless steel
Finish	Satin - Polished	Satin - Polished - White	Satin - Polished - White	Satin - Polished - White	Satin - Polished - White	Satin - Polished - White	Satin
Thickness	1,5 mm	1,2 mm	1,2 mm ABS: 3 mm	1,2 mm ABS: 3 mm	1,2 mm ABS: 3 mm	1 mm	1,2 mm
DIMENSIONS							
Height x Width x Depth (mm)	298 x 276 x 100	269 x 363 x 100	284 x 218 x 102 ABS: 286 x 222 x 100	284 x 218 x 102 ABS: 286 x 222 x 100	323 x 253 x 152 ABS: 325 x 255 x 152	240 x 270 x 170	1700 x 352 x 200
Weight	4,5 Kg	4,0 Kg	2,73 Kg ABS: 2,2 Kg	2,73 Kg ABS: 2,2 Kg	3,9 Kg ABS: 2,6 Kg	3,5 Kg	18 Kg
BENEFITS							
Air temperature (20 °C ambient)	37 °C at 10 cm	39 °C at 10 cm	60 °C	60 °C	60 °C	50 °C	50 °C 53 °C at 10 cm
Effective flow	1248 l/min	2400 l/min	2300 l/min	2300 l/min	2300 l/min	2300 l/min	2300 l/min 5500 l/min
Airspeed	288 km/h	90 km/h	65 km/h	65 km/h	65 km/h	65 km/h	65 km/h 117 km/h
Estimated drying time	15 s	33 s	40 s	40 s	40 s	40 s	40 s / 28 s
Noise level at 2 m	70 dbA	69 dbA	60 dbA	60 dbA	60 dbA	60 dbA	60 dbA / 70 dbA









Material
AISI 304 stainless steel

Finish
Satin (.S) Polished (.B) White (.W)

Push button hair dryer with nozzle. Sturdy and vandalproof for more demanding places. Long Life motor which increases the average life of the device. Available in three finishings: satin, polished and white.

GENERAL CHARACTERISTICS

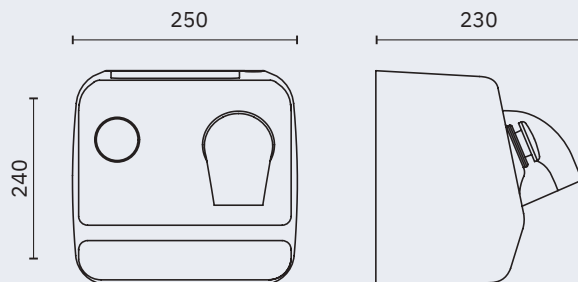
Dimensions	240 x 205 x 230 mm 9 1/2" x 8 7/8" x 9"
Casing thickness	1,5 / 1,2 mm
Weight	6 Kg
Activation	Push button
Voltage	220 - 240 V~
Frequency	50 - 60 Hz
Power	2450 W
Power consumption	10,6 A
Electrical isolation	Class I
Index protection against ingress; dust and water	IPX1
Push button adjustable time	90 s

MOTOR / RESISTANCE

Power	250 W
Speed	6500 rpm
Type	Universal
Electrical protection	Safety heat limiter
Resistance	2200 W

BENEFITS

Air temperature (20°C ambient)	53 °C at 10 cm
Effective flow	5500 l/min
Airspeed	117 km/h
Noise level at 2 m	70 dbA



02200.S

Dimensions
240 x 205 x 230 mm
9 1/2" x 8 7/8" x 9"



02200.B

Dimensions
240 x 205 x 230 mm
9 1/2" x 8 7/8" x 9"



02200.W

Dimensions
240 x 205 x 230 mm
9 1/2" x 8 7/8" x 9"





NOER

Push button hair dryer with hose. Consult other finishings.

02300.S

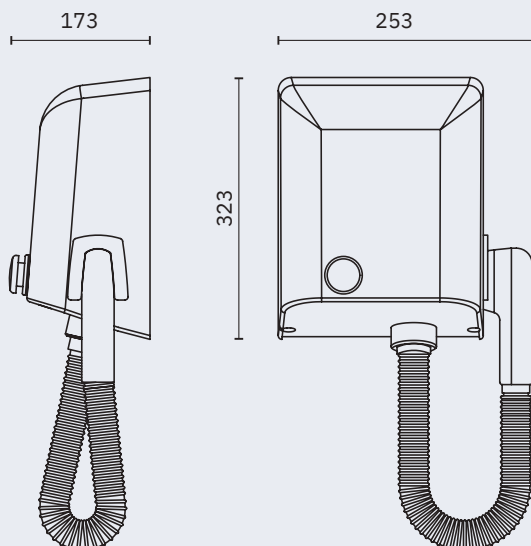
Material
AISI 304 stainless steel
Chrome-plated brass
complements

Finish
Satin

Dimensions
323 x 253 x 173 mm
1'-0 3/4" x 10" x 6 7/8"



GENERAL CHARACTERISTICS	
Dimensions	323 x 253 x 173 mm 1'-0 3/4" x 10" x 6 7/8"
Casing thickness	1,2 mm
Weight	5,5 Kg
Activation	Push button
Voltage	220 - 240 V~
Frequency	50 - 60 Hz
Power	800 W
Power consumption	3,5 A
Electrical isolation	Class I
Index protection against ingress; dust and water	IPX1
Push button adjustable time	90 s
MOTOR	
Power	800 W
Speed	35000 rpm
Type	Universal
Electrical protection	Safety heat limiter
BENEFITS	
Air temperature (20°C ambient)	40 °C at 10 cm
Effective flow	2660 l/min
Airspeed	305 km/h
Noise level at 2 m	72 dbA





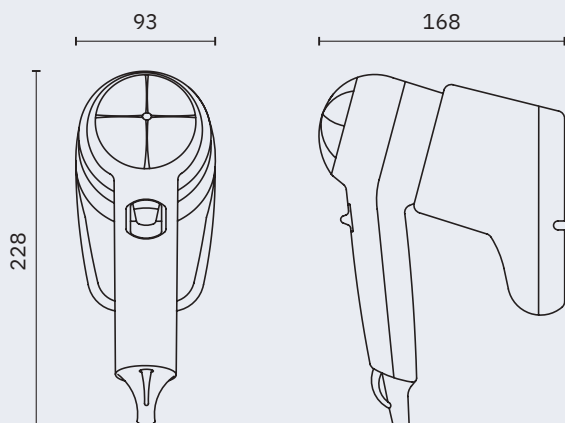
Material
ABS

Finish
Black (.N) White (.W) Grey (.GR)

Wall mounted hair dryer with wall holder. Two speed air outlet and ON / OFF safety switch. Continuous pressing push button for a safer use in public spaces. ABS casing available in three colours, chromed brass and AISI 304 stainless steel.

02055.N

Dimensions
228 x 93 x 168 mm
9" x 3 5/8" x 6 5/8"



02055.W

Dimensions
228 x 93 x 168 mm
9" x 3 5/8" x 6 5/8"



02055.GR

Dimensions
228 x 93 x 168 mm
9" x 3 5/8" x 6 5/8"



Material
ABS

Finish
White (.W)

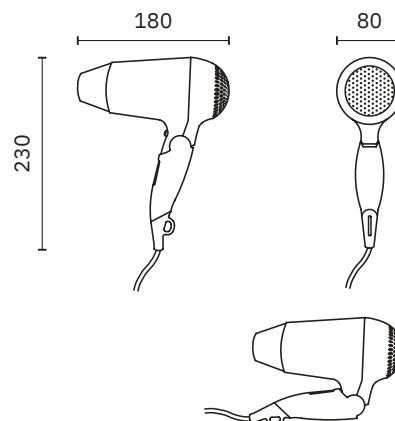


02010.W

Foldable. With two speeds and cold shot button

Dimensions
230 x 80 x 180 mm
9" x 3 1/8" x 7 1/8"

Power
1600 W

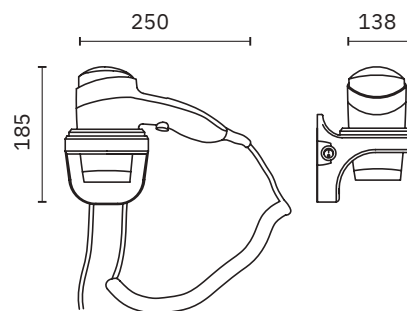


02011.W

Two speeds and ON/OFF switch

Dimensions
185 x 250 x 138 mm
7 1/4" x 9 7/8" x 5 1/2"

Power
2200 W

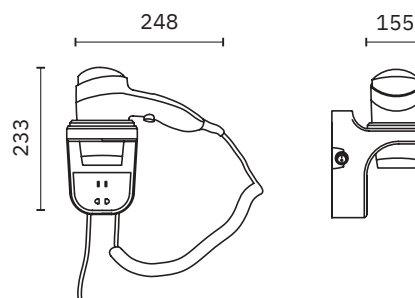


02012.W

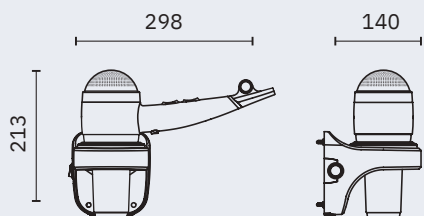
Two speeds with ON/OFF switch and socket for shavers

Dimensions
233 x 248 x 155 mm
9 1/8" x 9 3/4" x 6 1/8"

Power
2200 W



Finish
Satin (.S) Polished (.B)



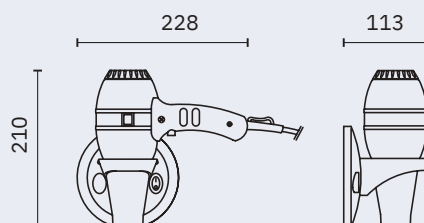
02058.S

With wall support holder

Material
Satin finished AISI 304 stainless steel and ABS

Dimensions
213 x 298 x 140 mm
8 3/8" x 11 1/4" x 5 1/2"

Power
1800 - 900 W



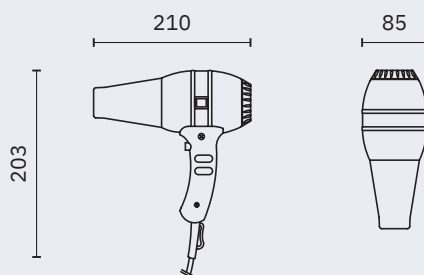
02057.B

With ABS hoop for wall support

Material
ABS and chromed steel

Dimensions
210 x 228 x 113 mm
8 1/4" x 9" x 4 1/2"

Power
1800 - 900 W

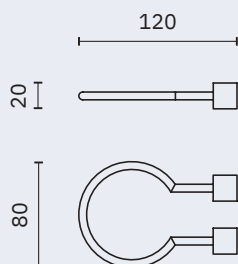


02013.B

Material
ABS and chromed steel

Dimensions
203 x 85 x 210 mm
8" x 3 3/8" x 8 1/4"

Power
1800 W



02014.B

Wall support holder for hair dryers

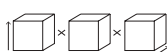
Material
Chrome-plated brass

Dimensions
20 x 80 x 120 mm
3/4" x 3 1/8" x 4 3/4"
Ø 70 mm



	02200 ZONDA	02300 MANGO	02055 HOTELLINE	02010.W HOTELLINE	02011.W HOTELLINE	02012.W HOTELLINE	02013 HOTELLINE	02057 HOTELLINE	02058 HOTELLINE
CHARACTERISTICS									
Activation	Manual	Manual	Switch - Push button	Manual	Switch - Push button	Switch - Push button	Switch - Push button	Switch - Push button	Switch - Push button
Voltage	220 - 240 V~	220 - 240 V~	220 - 240 V~	220 - 240 V~	220 - 240 V~	220 - 240 V~	220 - 240 V~	220 - 240 V~	220 - 240 V~
Frequency	50 - 60 Hz	50 - 60 Hz	50 - 60 Hz	50 - 60 Hz	50 - 60 Hz	50 - 60 Hz	50 - 60 Hz	50 - 60 Hz	50 - 60 Hz
Power	2450 W	800 W	1200 W (max) - 540 W (min)	1600 W	2200 W (max) - 1800 W (min)	2200 W (max) - 1800 W (min)	1800 W (max) - 900 W (min)	1800 W (max) - 900 W (min)	1800 W (max) - 900 W (min)
Power consumption	10,6 A	3,5 A	5,5 A	6,9 A	9,6 A	9,6 A	7,8 A	7,8 A	7,8 A
Electrical isolation	Class I	Class I	Class II	Class II	Class II	Class II	Class II	Class II	Class II
Electrical protection	IP23	IPX1	IP20	IP20	IP20	IP20	IP20	IP20	IP20
Push button adjustable time	90 s	90 s	-	-	-	-	-	-	-
Automatic stop for vandalism	YES	YES	YES	YES	YES	YES	YES	YES	YES
MOTOR									
Power	250 W	800 W	40 W	40 W	40 W	40 W	150 W	150 W	150 W
Speed	6500 rpm	35000 rpm	13000 rpm	10000 rpm	14000 rpm	14000 rpm	13000 rpm	22500 rpm	22500 rpm
Type	CA - Universal	CA - Universal	CC	CC	CC	CC	CA - Universal	CA - Universal	CA - Universal
Electrical protection	Safety heat limiter	Safety heat limiter	-	-	-	-	Safety heat limiter	Safety heat limiter	Safety heat limiter
RESISTANCE									
Power	2200 W	-	1160 W	1560 W	2150 W	2150 W	1650 W	1650 W	1650 W
Wire	Ni-Crom	-	Ni-Crom	Ni-Crom	Ni-Crom	Ni-Crom	Ni-Crom	Ni-Crom	Ni-Crom
Type	Spiral	-	Wavy wire	Wavy wire	Wavy wire	Wavy wire	Wavy wire	Wavy wire	Wavy wire
Support	Ceramic	-	Mica	Mica	Mica	Mica	Mica	Mica	Mica
Electrical protection	Safety heat limiter	-	Safety heat limiter	Safety heat limiter	Safety heat limiter	Safety heat limiter	Safety heat limiter	Safety heat limiter	Safety heat limiter
CASING									
Material	AISI 304 stainless steel	AISI 304 stainless steel / Brass	ABS	ABS	ABS	ABS	ABS + chromed steel	ABS + chromed steel	ABS + stainless steel AISI 304
Finish	Satin Polished White	Satin with gold complements	White Black Grey	White	White	White	Black + polished	Black + polished	Black + satin
Thickness	1,5/1,2 mm	1,2	-	-	-	-	-	-	-
DIMENSIONS									
Height x Width x Depth	280 x 250 x 203 mm	324 x 252 x 168 mm	210 x 100 x 155 mm	230 x 80 x 180 mm	185 x 248 x 138 mm	233 x 248 x 155 mm	220 x 245 x 118 mm	215 x 210 x 93 mm	215 x 210 x 93 mm
Weight	6 Kg	5,5 Kg	0,85 Kg	0,85 Kg	0,85 Kg	1,40 Kg	0,9 Kg	0,8 Kg	0,8 Kg
BENEFITS*									
Air temperature (20°C ambient)	49 °C at 10 cm	40 °C at 10 cm	61 °C at 10 cm	63 °C at 10 cm	65 °C at 10 cm	65 °C at 10 cm	63 °C at 10 cm	63 °C at 10 cm	63 °C at 10 cm
Effective flow	6500 l/min	2660 l/min	1300 l/min	1200 l/min	1300 l/min	1300 l/min	1450 l/min	1450 l/min	1450 l/min
Airspeed	133 km/h	305 km/h	48 km/h	50 km/h	58 km/h	58 km/h	72 km/h	72 km/h	72 km/h
Noise level at 2 m	70 dbA	72 dbA	60 dbA	60 dbA	62 dbA	62 dbA	65 dbA	65 dbA	65 dbA
Socket	NO	NO	NO	NO	NO	YES	NO	NO	NO

(*) approximate values







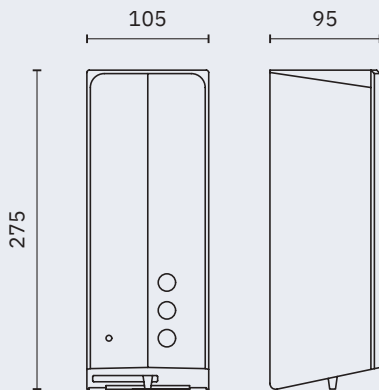




Anti-drip.
Level viewer

Finish
Satin (.S) Polished (.B) Black (.N) White (.W)

Automatic liquid soap dispenser with a foam pump as optional, 90807.FP pump (not included). Suitable for alcohol-based disinfectants. Battery powered or with an adaptor in option (90806.TR optional). EVO range design for complete washroom equipment. Several finishings to choose from: satin, polished, black, white ABS, and other colours.



03039.S

Material
AISI 304 stainless steel

Dimensions
275 x 105 x 95 mm
10 7/8" x 4 1/8" x 3 3/4"

Capacity
1000 ml



03039.B

Material
AISI 304 stainless steel

Dimensions
275 x 105 x 95 mm
10 7/8" x 4 1/8" x 3 3/4"

Capacity
1000 ml



90807.LP

Liquid soap valve replacement



03039.N

Material
AISI 304 stainless steel

Dimensions
275 x 105 x 95 mm
10 7/8" x 4 1/8" x 3 3/4"

Capacity
1000 ml



90807.SP

Spary valve replacement



03038.W

03038.N

Material
ABS

Dimensions
275 x 105 x 95 mm
10 7/8" x 4 1/8" x 3 3/4"

Capacity
1000 ml



90807.FP

Foam pump

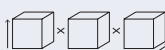


90806.TR

AC/DC 220-12 V adaptor



OTHER COLOURS



automatics

Automatic soap dispensers. The right dose with touch free operation. The hygienic option with refillable tank.

Operation
Automatic sensor

Finish
Satin (.S) Polished (.B)

NEW

LASER
sensor



03312.B

Material
Chrome-plated brass

Dimensions
150 x 34 x 116 mm
5 7/8" x 1 3/8" x 4 5/8"

Capacity
1500 ml

Matching faucets:



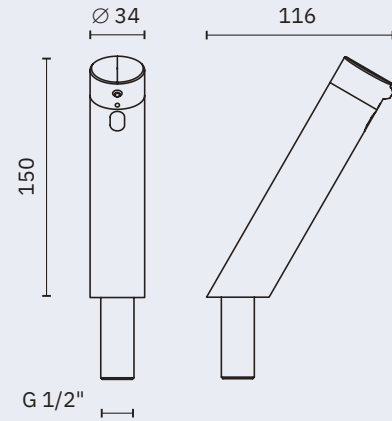
One water

07360.B



Mixer

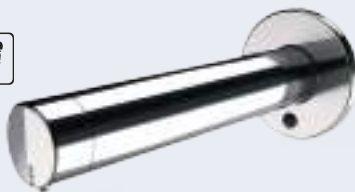
07360M.B



Consult NOFER H₂O
faucet catalogue

NEW

LASER
sensor



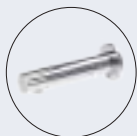
03313.B

Material
Chrome-plated brass

Dimensions
79 x 79 x 190 mm
3 1/8" x 3 1/8" x 7 1/2"

Capacity
1500 ml

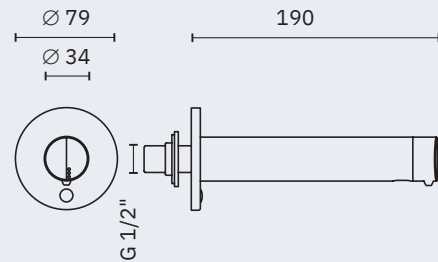
Matching faucets:



07361.B



07361M.B



Consult NOFER H₂O
faucet catalogue



ADA COMPLIANT

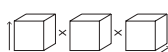
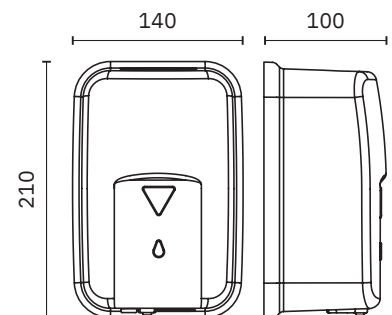
03023.S

Liquid soap dispenser

Material
AISI 304 stainless steel

Dimensions
210 x 140 x 100 mm
8 1/4" x 5 1/4" x 3 7/8"

Capacity
1200 ml



automatics

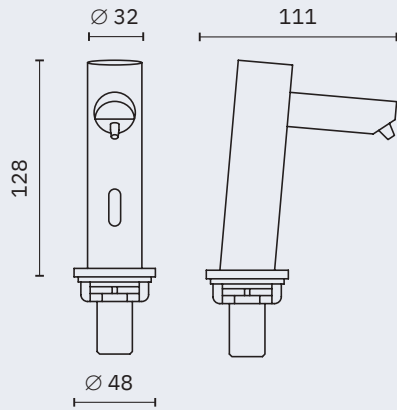


Automatic liquid soap dispensers activated by infrared sensor. The right dose with touch free operation. The hygienic option with refillable tank. Foam option included.

Operation
Automatic sensor

Material
Chromed brass

Finish
Polished (.B)

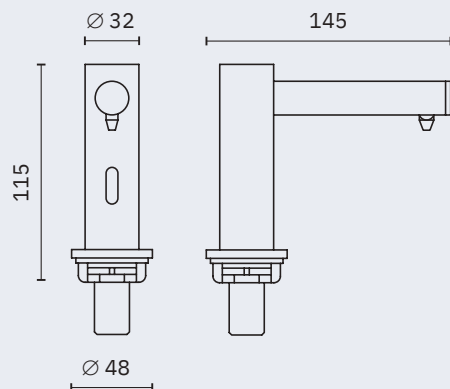


03113.B

Countertop soap dispenser

Dimensions
128 x 48 x 111 mm
5" x 1 7/8" x 4 3/8"

Capacity
1000 ml

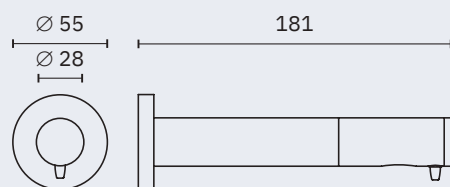


03114.B

Countertop soap dispenser

Dimensions
115 x 48 x 145 mm
4 1/2" x 1 7/8" x 5 3/4"

Capacity
1000 ml

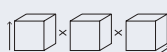


03120.B

Wall mounted soap dispenser

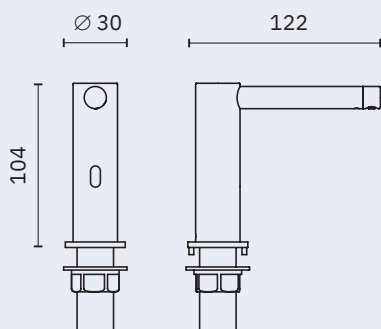
Dimensions
55 x 55 x 181 mm
2 1/8" x 2 1/8" x 7 1/8"

Capacity
1000 ml





multifeed

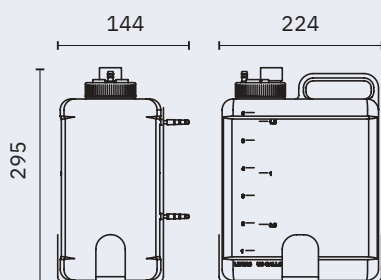


03106.MUL.B

Soap dispenser for multifeed system. Equipped with connection pipe to soap tank.

Material
Chrome-plated brass

Dimensions
104 x 45 x 130 mm
4 1/8" x 1 3/4" x 5 1/8"

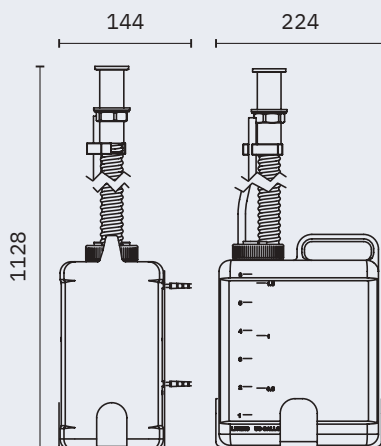


03108.DEP1

Multifeed system soap dispenser tank. Equipped with wall support.

Dimensions
295 x 144 x 224 mm
11 5/8" x 5 5/8" x 8 7/8"

Capacity
6 litres



03108.DEP2

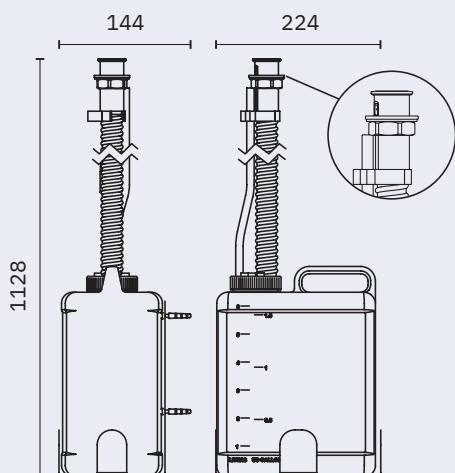
Multifeed system soap dispenser tank with soap refill from countertop. Equipped with wall support.

Dimensions
1128 x 144 x 224 mm
3' - 8 5/8" x 5 5/8" x 8 7/8"

Capacity
6 litres



Decorative plug
Ø 45 mm



03108.DEP3

Multifeed system soap dispenser tank with soap refill from countertop with refilling LED indicator. Equipped with wall support.

Dimensions
1128 x 144 x 224 mm
3' - 8 5/8" x 5 5/8" x 8 7/8"

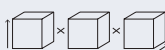
Capacity
6 litres



Refilling
LED
warning



Decorative plug
Ø 45 mm





Anti-drip.
Level viewer

Finish

Satin (.S) Polished (.B) Black (.N)

Vertical format soap dispenser. Wall mounted. Compact, sturdy and very resistant to use. With inner tank for optimal soap preservation. Matches the EVO design range.

Several finishings to choose from: satin, polished, black and other colours.

03050.S

Material
AISI 304 stainless steel

Dimensions
200 x 125 x 95 mm
7 7/8" x 4 7/8" x 3 3/4"

Capacity
1200 ml



03050.B

Material
AISI 304 stainless steel

Dimensions
200 x 125 x 95 mm
7 7/8" x 4 7/8" x 3 3/4"

Capacity
1200 ml

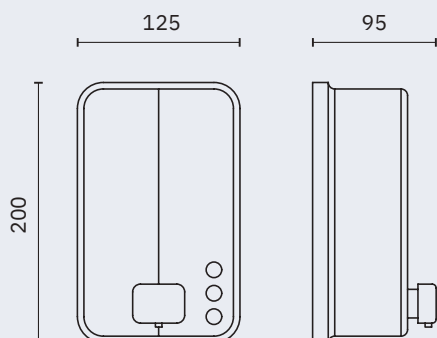


03050.N

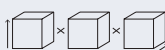
Material
AISI 304 stainless steel

Dimensions
200 x 125 x 95 mm
7 7/8" x 4 7/8" x 3 3/4"

Capacity
1200 ml



OTHER COLOURS



inox

Anti-drip.
Level viewer

Finish
Satin (.S) Polished (.B) White (.W)

Material
AISI 304 stainless steel



03041.S

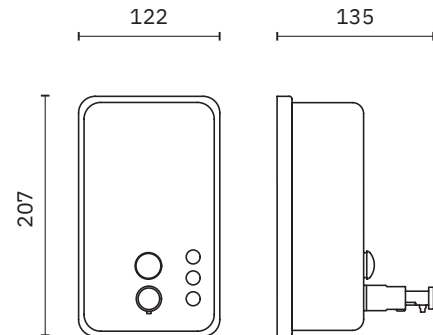
03041.B

Liquid soap dispenser

Dimensions
207 x 122 x 135 mm
8 1/8" x 4 3/4" x 5 1/4"

Capacity
1200 ml

Vertical format soap dispenser. Wall mounted, vertical. Compact, sturdy and very resistant to use. Satin and polished versions are equipped with an inner tank for optimal soap preservation.

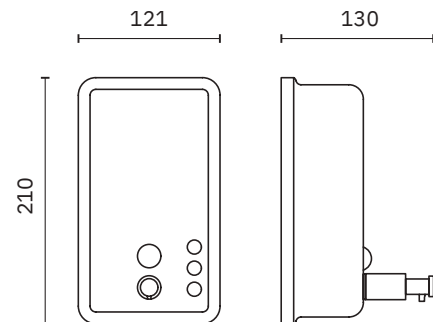


03001.W

Liquid soap dispenser vertical

Dimensions
210 x 121 x 130 mm
8 1/4" x 4 3/4" x 5 1/8"

Capacity
1200 ml



NEW



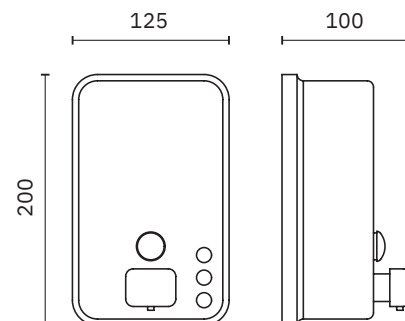
03061.S

03061.B

Liquid soap dispenser vertical.
Metallic push button

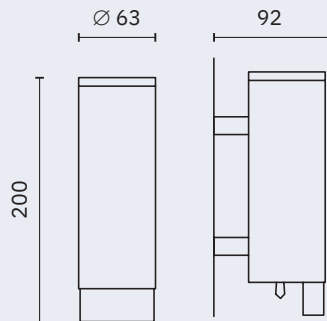
Dimensions
200 x 125 x 100 mm
7 7/8" x 4 7/8" x 3 7/8"

Capacity
1200 ml



Anti-drip.

Finish
Satin (.S) Polished (.B)



03024.S

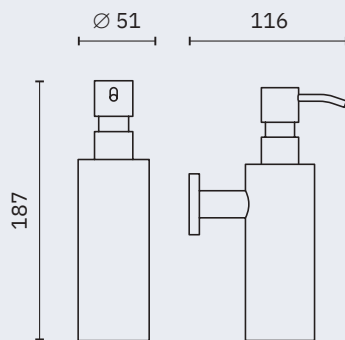
03024.B

Liquid soap dispenser

Material
AISI 304 stainless steel

Dimensions
200 mm. \varnothing 63 mm
7 7/8" x \varnothing 2 1/2"

Capacity
300 ml



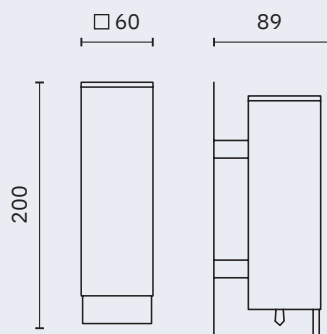
03047.S

Wall mounted liquid soap dispenser with push button

Material
AISI 304 stainless steel

Dimensions
187 x 51 x 116 mm
7 3/8" x 2" x 4 5/8"

Capacity
255 ml



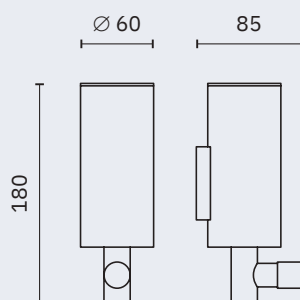
03025.S

Liquid soap dispenser

Material
AISI 304 stainless steel

Dimensions
200 x 60 x 89 mm
7 7/8" x 2 3/8" x 3 1/2"

Capacity
300 ml



03046.B

Liquid soap dispenser

Material
Chrome-plated brass

Dimensions
180 mm. \varnothing 60 mm
7 1/8" x \varnothing 2 3/8"

Capacity
300 ml



inox

Anti-drip

Finish
Satin (.S) Polished (.B)

Material
AISI 304 stainless steel

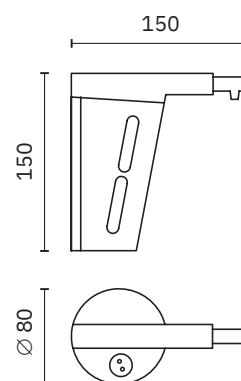


03003.B

Conical soap dispenser. Zamac head and stainless steel housing. With level viewer

Dimensions
150 x 80 x 150 mm
5 7/8" x 3 1/8" x 5 7/8"

Capacity
345 ml

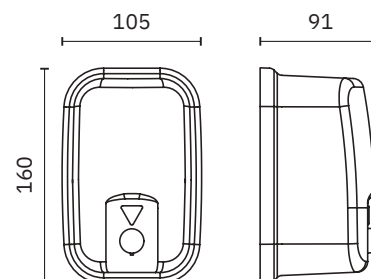


03022.S

Liquid soap dispenser. Level viewer

Dimensions
160 x 105 x 91 mm
6 1/4" x 4 1/8" x 3 5/8"

Capacity
820 ml



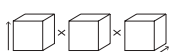
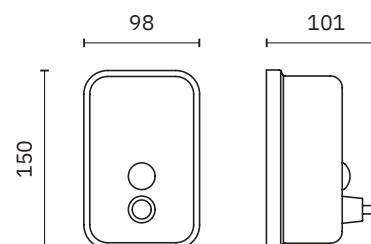
03001.06.S

03001.06.B

Liquid soap dispenser

Dimensions
150 x 98 x 101 mm
5 7/8" x 3 7/8" x 4"

Capacity
600 ml



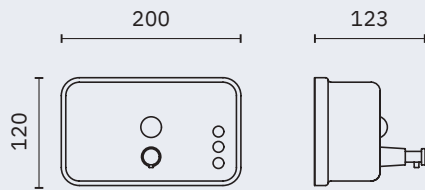
inox

Anti-drip.
Level viewer

Finish
Satin (.S) Polished (.B) White (.W)

Material
AISI 304 stainless steel

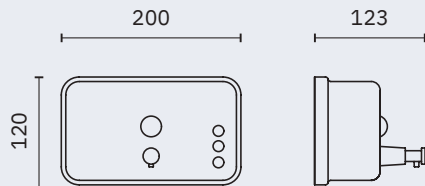
Horizontal format soap dispenser. Wall mounted. Compact, sturdy and very resistant to use. Satin and polished versions are equipped with an inner tank for optima soap preservation.



03042.S

Liquid soap dispenser

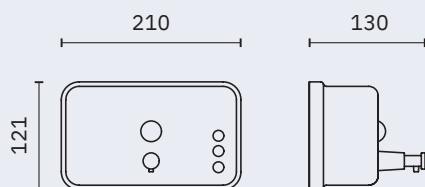
Dimensions
120 x 200 x 123 mm
4 3/4" x 7 7/8" x 4 7/8"



03042.B

Liquid soap dispenser

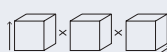
Dimensions
120 x 200 x 123 mm
4 3/4" x 7 7/8" x 4 7/8"



03002.W

Liquid soap dispenser

Dimensions
121 x 210 x 130 mm
4 3/4" x 8 1/4" x 5 7/8"



inox

Anti-drip.
Level viewer

Finish
Satin (.S) Polished (.B)

Material
AISI 304 stainless steel

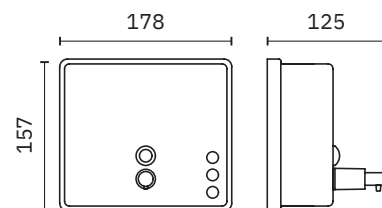


03004.S

Dimensions
157 x 178 x 125 mm
6 1/8" x 7" x 4 7/8"

Capacity
1200 ml

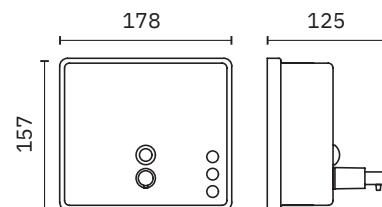
Horizontal format soap dispenser. Wall mounted. Sturdy and very resistant to use. Double tank version available for a double dispensation.



03004.B

Dimensions
157 x 178 x 125 mm
6 1/8" x 7" x 4 7/8"

Capacity
1200 ml

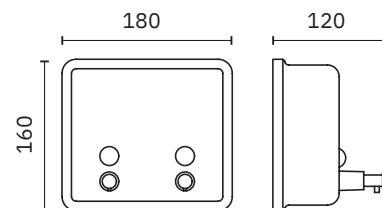


03005.B

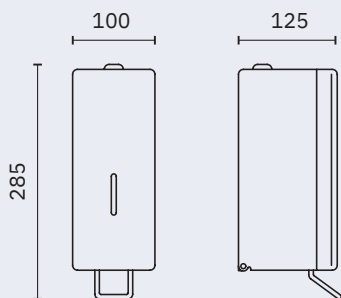
Double soap dispenser

Dimensions
160 x 180 x 120 mm
6 1/4" x 7 1/8" x 4 3/4"

Capacity
Two tanks of 600 ml



Hospital soap dispenser. Equipped with a long activation lever for elbow and forearm operation. Ideal for avoiding the spread of germs and bacteria in sanitary and hospital environments.



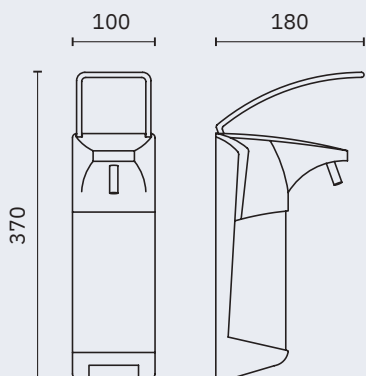
03014.S

Soap dispenser with lever

Material
AISI 304 stainless steel

Dimensions
285 x 100 x 125 mm
11 1/4" x 3 7/8" x 4 7/8"

Capacity
1000 ml



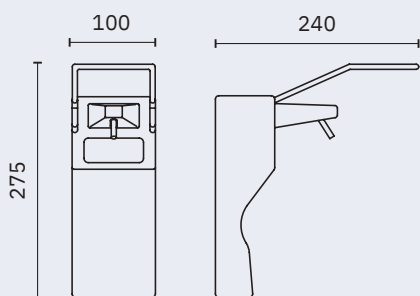
03015.ABS

Soap dispenser with long lever

Material
ABS cover, translucent polyethylene tank

Dimensions
370 x 100 x 180 mm
14 1/2" x 3 7/8" x 3 1/8"

Capacity
1000 ml



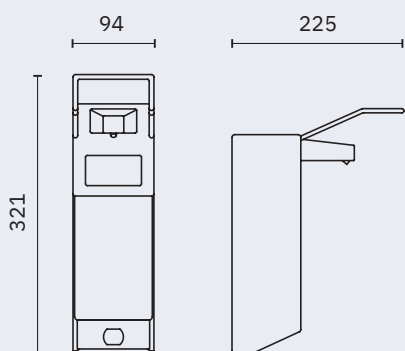
03016.ABS

Soap dispenser with extra long lever

Material
ABS cover, translucent polyethylene tank

Dimensions
275 x 100 x 240 mm
10 7/8" x 3 7/8" x 9 1/2"

Capacity
1000 ml



03016.AL

Soap dispenser with long lever

Material
Aluminum cover, translucent polyethylene tank

Dimensions
321 x 94 x 225 mm
12 5/8" x 3 3/4" x 8 7/8"

Capacity
1000 ml

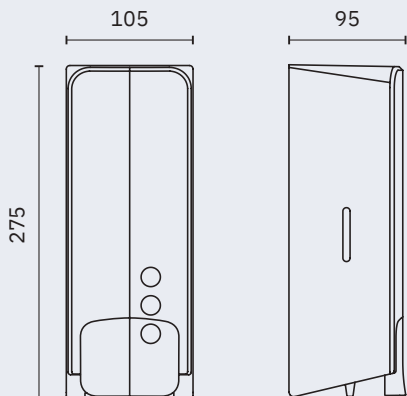




Finish
Black (.N) White (.W)

Refillable tank

Material
ABS



03040.N

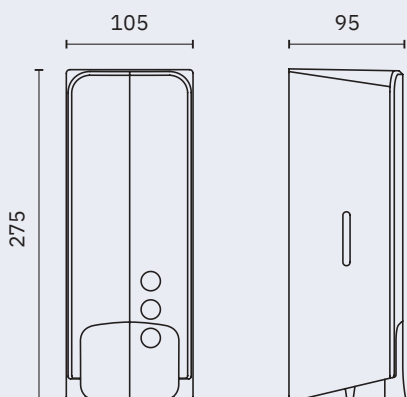
Manually operated liquid soap dispenser

Dimensions
275 x 105 x 95 mm
10 7/8" x 4 1/8" x 3 3/4"

Capacity
1000 ml



NEW



03040.W

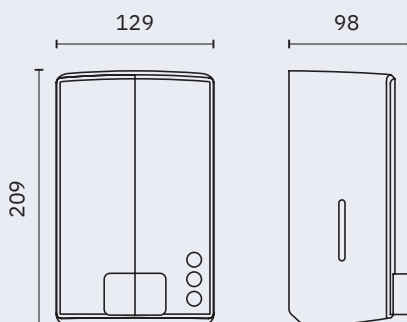
Manually operated liquid soap dispenser

Dimensions
275 x 105 x 95 mm
10 7/8" x 4 1/8" x 3 3/4"

Capacity
1000 ml



NEW



03043.W

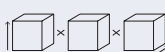
Manually operated liquid soap dispenser

Dimensions
209 x 129 x 98 mm
8 1/4" x 5 1/8" x 3 7/8"

Capacity
1000 ml



NEW



classic

Material
ABS

Finish
Black (.N) White (.W)



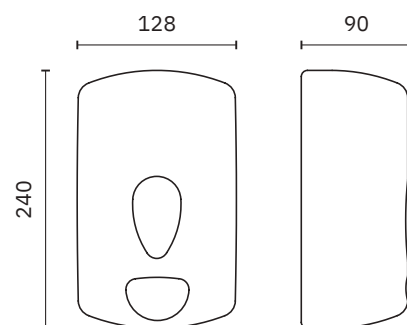
03036.N

Liquid soap dispenser

Dimensions
210 x 128 x 90 mm
8 1/4" x 5" x 3 1/2"

Capacity
1000 ml

Wall mounted soap dispenser suitable for all kinds of environments. Compact design and neutral colours to add seamlessly to any washroom space.

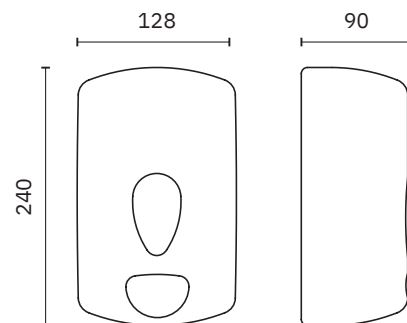


03036.W

Liquid soap dispenser

Dimensions
210 x 128 x 90 mm
8 1/4" x 5" x 3 1/2"

Capacity
1000 ml

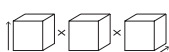
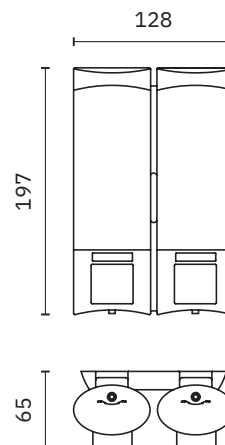


03032.T

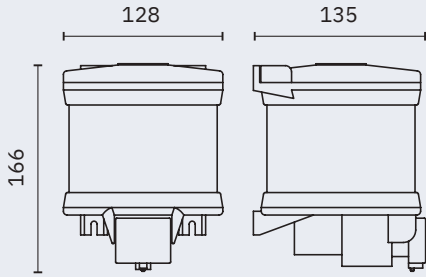
Double tank soap dispenser

Dimensions
197 x 128 x 65 mm
7 3/4" x 5" x 2 1/2"

Capacity
2 x 200 ml



basic



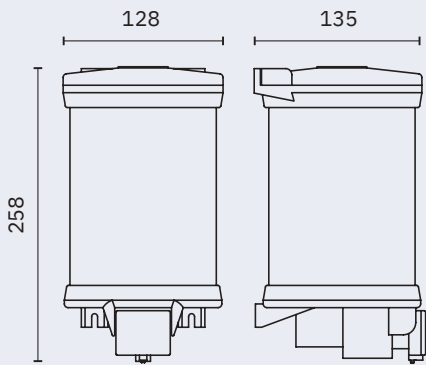
03018.W

Wall mounted soap dispenser

Tank Translucent ABS Button Black ABS

Dimensions
166 x 128 x 138 mm
6 1/2" x 5" x 5 3/8"

Capacity 1000 ml Finish White



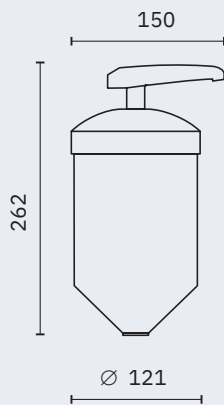
03019.W

Wall mounted soap dispenser

Tank Translucent ABS Button Black ABS

Dimensions
258 x 128 x 135 mm
10 1/8" x 5" x 5 3/8"

Capacity 2000 ml Finish White



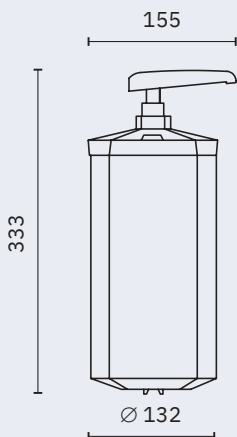
03008.W

Wall mounted soap dispenser

Material Translucent polypropylene

Dimensions
262 x 150 Ø 121 mm
10 3/8" x 5 7/8" Ø 4 3/4"

Capacity 1500 ml Finish White



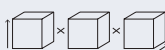
03009.W

Wall mounted soap dispenser

Material Translucent polypropylene

Dimensions
333 x 155 Ø 132 mm
1' - 1 1/8" x 6 1/8" Ø 5 1/4"

Capacity 3500 ml Finish White



inserts

Material
AISI 304 stainless steel

Finish
Satin (.S) Polished (.B)

03102.S

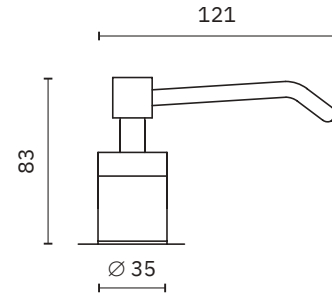


Countertop dispenser
(countertop hole \varnothing 25 - 30 mm).

Stem
Black ABS

Tank Capacity
White polyethylene 1000 ml

Dimensions
83 x 35 x 120 mm. 3 1/4" x 4 3/4" x 1 3/8"
Tank 220 mm height. Stem 120 mm



Foam
soap

03103.S

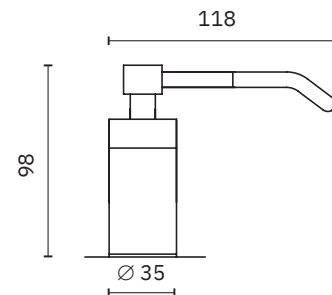


Countertop foam dispenser
(countertop hole \varnothing 25 - 30 mm).
Decorative top (\varnothing 35 mm)

Stem
Black ABS

Tank Capacity
White polyethylene 1000 ml

Dimensions
98 x 35 x 118 mm. 3 7/8" x 1 3/8" x 4 5/8"
Tank 220 mm height. Stem 120 mm



03100.B

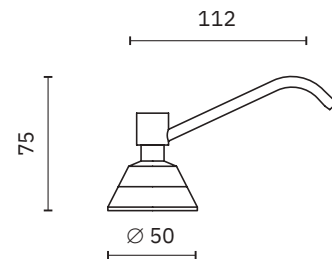


Countertop dispenser
(hole \varnothing 25 - 35 mm).

Stem
Steel

Tank Capacity
Stainless steel 500 ml

Dimensions
76 x 50 x 116 mm. 3" x 2" x 4 5/8"
Tank 145 mm height. Stem 120 mm



03101.B

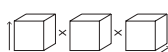
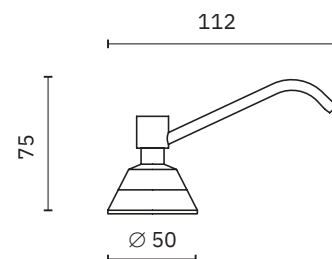


Countertop dispenser
(hole \varnothing 25 - 35 mm).

Stem
Black ABS

Tank Capacity
White polyethylene 1000 ml

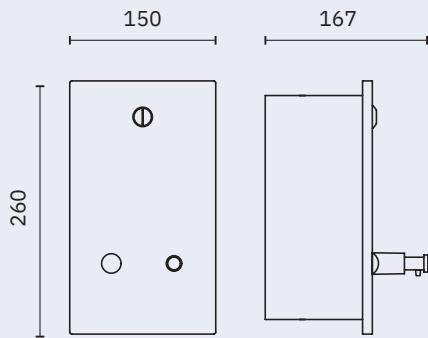
Dimensions
76 x 50 x 116 mm. 3" x 2" x 4 5/8"
Tank 220 mm height. Stem 120 mm



inserts

Material
AISI 304 stainless steel

Finish
Satin (.S)

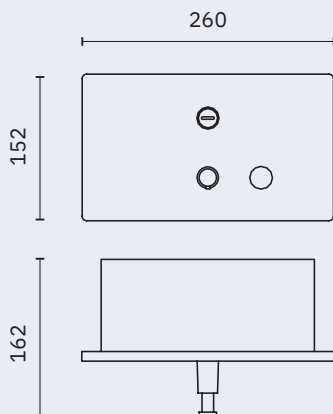


03201.S

Flush mounted. Vertical

Dimensions
260 x 150 x 167 mm
10 1/4" x 5 7/8" x 6 5/8"

Capacity
1200 ml

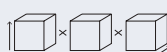


03202.S

Flush mounted. Horizontal

Dimensions
152 x 260 x 162 mm
6" x 10 1/4" x 6 3/8"

Capacity
1200 ml









Content viewer

Finish
Satin (.S) Polished (.B) White (.W)

Industrial toilet paper roll dispenser. EVO range design for a complete washroom collection. Finishes: polished, satin, black, other.

05046.S

Material
AISI 304 stainless steel

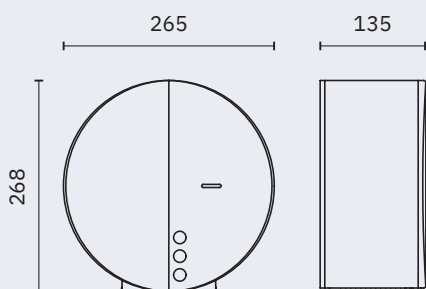
Dimensions
268 x 265 x 135 mm
10 1/2" x 10 3/8" x 5 3/8"



05046

Maximum roll: \varnothing 230 mm
Axle \varnothing : 40 mm

Consumable
06000.E



05046.B

Material
AISI 304 stainless steel

Dimensions
268 x 265 x 135 mm
10 1/2" x 10 3/8" x 5 3/8"

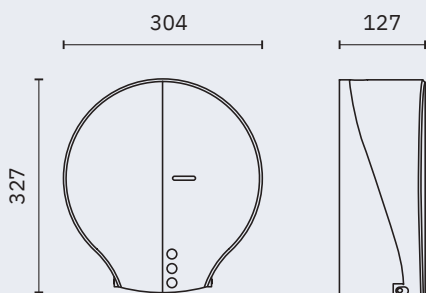


OTHER COLOURS

05047.W

Maximum roll: \varnothing 280 mm
Axle \varnothing : 40 mm

Consumable
06001.E



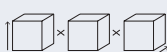
05047.W

Material
ABS

Dimensions
327 x 304 x 127 mm
1'-0 7/8" x 1' x 5"



NEW





NOBER

NOBER



industrial

Content viewer			Dimensions	Dimensions
Finish			<i>Model 05001.XL</i>	<i>Model 05001</i>
Satin (.S)	Polished (.B)	White (.W)	290 x 285 x 112 mm	260 x 250 x 112 mm
			11 3/8" x 11 1/4" x 4 3/8"	10 1/4" x 9 7/8" x 4 3/8"



05001.XL.S 05001.S

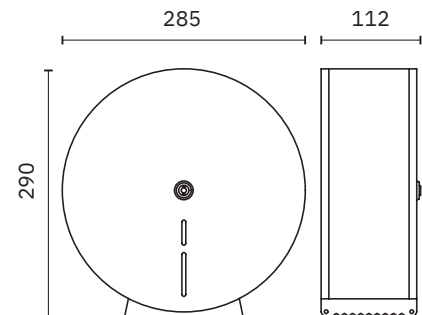
Material
Stainless steel

Toilet paper dispenser for industrial roll 250/300 m
Safety lock

05001.XL

Maximum roll: \varnothing 270 mm
Axle \varnothing : 40 mm

Consumable
06000.E



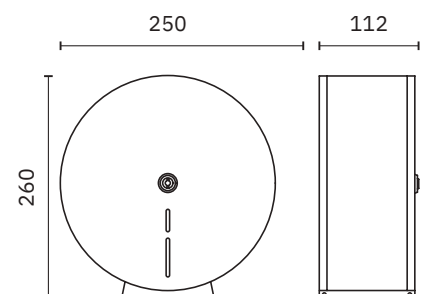
05001.XL.B 05001.B

Material
Stainless steel

05001

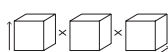
Maximum roll: \varnothing 230 mm
Axle \varnothing : 40 mm

Consumable
06001.E



05001.XL.W 05001.W

Material
Painted steel



industrial

Content viewer

Finish
Satin (.S) Polished (.B) Black (.N) White (.W)

Dimensions

Model 05006.XL
280 x 272 x 115 mm
11" x 10 3/4" x 4 1/2"

Dimensions

Model 05006
268 x 258 x 115 mm
10 1/2" x 10 1/8" x 4 1/2"

Toilet paper dispenser for industrial roll
250/300 m.
Safety lock with pin tumbler lock

05006.XL.S

05006.S

Material
Stainless steel

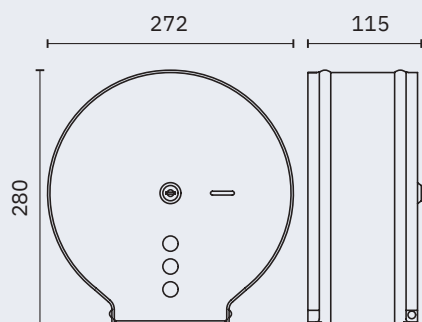


NEW

05006.XL

Maximum roll: \varnothing 260 mm
Axle \varnothing : 40 mm

Consumable
06000.E



05006.XL.B

05006.B

Material
Stainless steel



NEW

05006.XL.N

05006.N

Material
Painted stainless steel

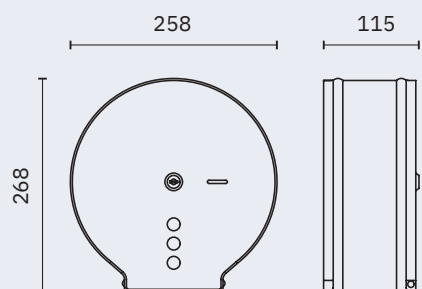


NEW

05006

Maximum roll: \varnothing 230 mm
Axle \varnothing : 40 mm

Consumable
06001.E



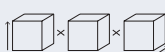
05006.XL.W

05006.W

Material
Painted stainless steel



NEW



classic

Content viewer

Finish
Black (.N) White (.W)

Material
ABS



05005.N

Dimensions
320 x 300 x 125 mm
1' - 0 5/8" x 11 3/4" x 4 7/8"

05004.N

Dimensions
274 x 252 x 125 mm
10 3/4" x 9 7/8" x 4 7/8"



05005.W

Dimensions
320 x 300 x 125 mm
1' - 0 5/8" x 11 3/4" x 4 7/8"

05004.W

Dimensions
274 x 252 x 125 mm
10 3/4" x 9 7/8" x 4 7/8"



05002.W

Double industrial toilet paper roll dispenser

Maximum roll: 280 mm
Axle Ø: 40 mm

Consumable
06000.E

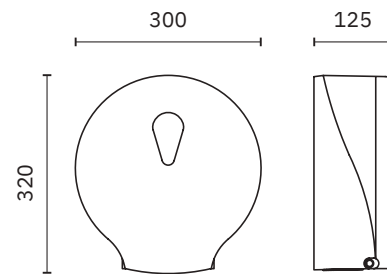
Dimensions
280 x 500 x 125 mm
11" x 1'-7 3/4" x 4 7/8"

Toilet paper dispenser for industrial
roll 500 m. Safety lock

05005

Maximum roll: Ø 280 mm
Axle Ø: 40 mm

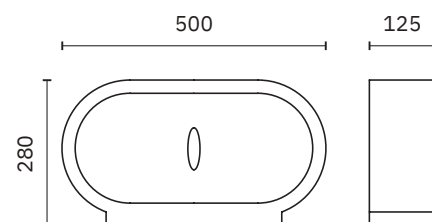
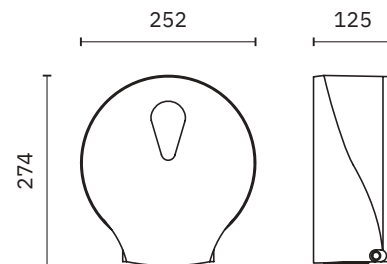
Consumable
06000.E



05004

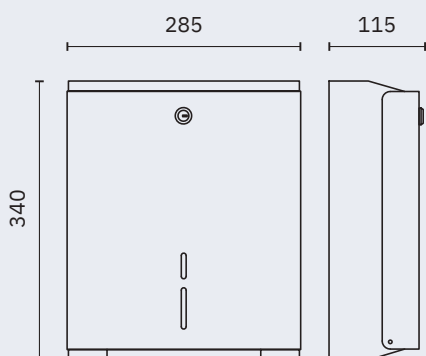
Maximum roll: Ø 230 mm
Axle Ø: 40 mm
Paper roll 200 m

Consumable
06001.E



industrial

05104.W



Toilet paper dispenser for roll 500 m.
Safety lock. Content viewer.

Material
Painted stainless steel

Finish
White (.W)

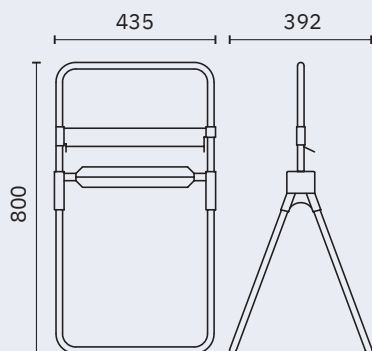
Maximum roll: \varnothing 280 mm Consumable
Axle \varnothing : 40 mm 06000.E

Dimensions
340 x 285 x 115 mm
1'- 1 3/8" x 11 1/4" x 4 1/2"



Industrial towel paper roll holders.
Equipped with cutting plate.

Consumable
06006.45.E



04008.B

Self standing dispenser

Material
AISI 304 stainless steel tube

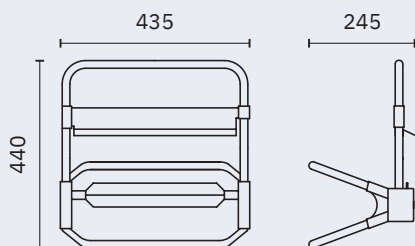
Dimensions
800 x 435 x 392 mm
2'-7 1/2" x 1'-5 1/8" x 1'-3 3/8"

Maximum roll width 380 mm

Maximum \varnothing 500 mm
Universal use for all axle
diameters



2 positions



04009.B

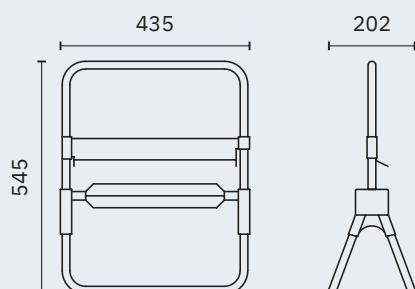
Wall mounted installation

Material
AISI 304 stainless steel tube

Dimensions
440 x 435 x 245 mm
1'-5 1/4" x 1'-5 1/8" x 9 5/8"

Maximum roll width 380 mm

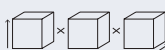
Maximum \varnothing 400 mm
Universal use for all axle
diameters



Free standing

Material
AISI 304 stainless steel tube

Dimensions
545 x 435 x 202 mm
1'-9 1/2" x 1'-5 1/8" x 8"







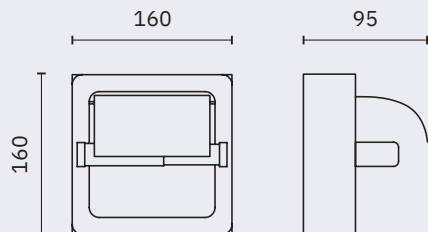


domestics

Single roll dispensers

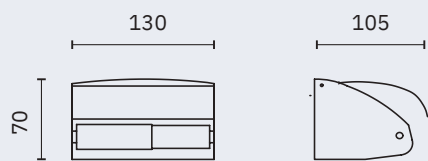
Finish
Satin (.S) Polished (.B)

Material
AISI 304 stainless steel



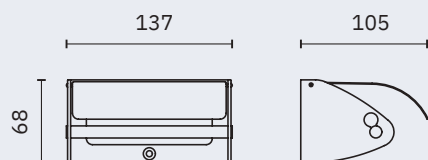
05007.S 05007.B

Dimensions
160 x 160 x 95 mm.
6 1/4" x 6 1/4" x 3 3/4"



05013.S 05013.B

Dimensions
70 x 130 x 105 mm.
2 3/4" x 5 1/8" x 4 1/8"

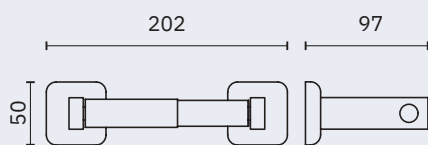


05023.S

Dimensions
68 x 137 x 105 mm.
2 5/8" x 5 3/8" x 4 1/8"

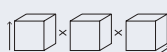


Stainless
axle



05018.S 05018.B

Dimensions
50 x 202 x 97 mm.
2" x 8" x 3 7/8"



domestics

Wall mounted double roll dispenser

Finish
Satin (.S) Polished (.B) White (.W)

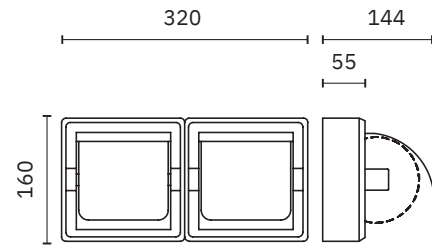


05008.B

Wall mounted, horizontal

Material
AISI 304 stainless steel

Dimensions
160 x 320 x 144 mm
6 1/4" x 1'-0 5/8" x 5 5/8"

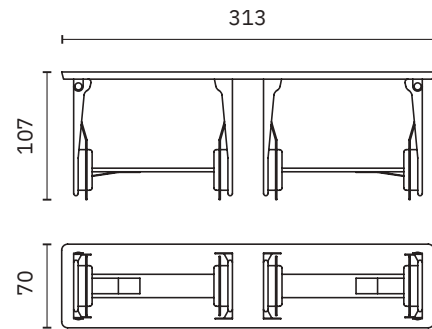


05012.B

Wall mouted, horizontal. Prevents the removal of the roll until it is finished.

Material
Steel chromed

Dimensions
70 x 313 x 107 mm
2 3/4" x 1'-0 3/8" x 4 1/4"

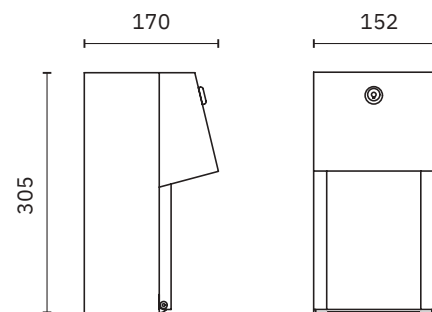


05015.S

Wall mounted, vertical with security lock

Material
AISI 304 stainless steel

Dimensions
305 x 152 x 170 mm
1' x 6 3/4" x 2"

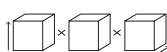
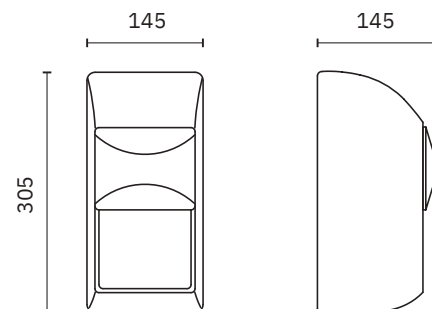


05099.W

Wall mounted, vertical

Material
ABS

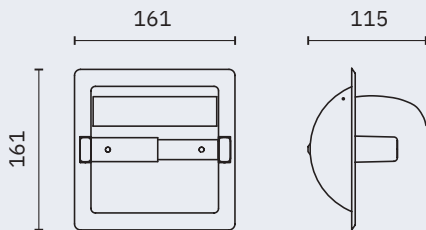
Dimensions
300 x 145 x 145 mm
11 3/4" x 5 3/4" x 5 3/4"



domestics

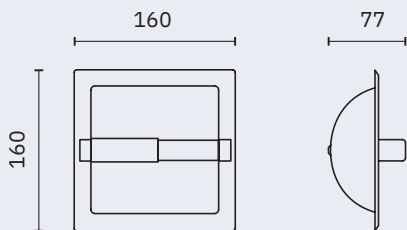
Flush mounted dispensers

Finish
Satin (.S) Polished (.B)



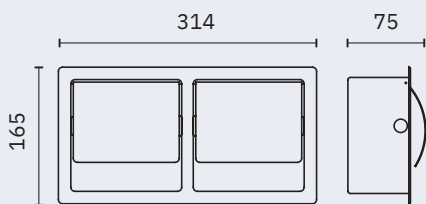
05203.S 05203.B

With cover
Material
Stainless steel
Dimensions
161 x 161 x 115 mm
6 3/8" x 6 3/8" x 4 1/2"



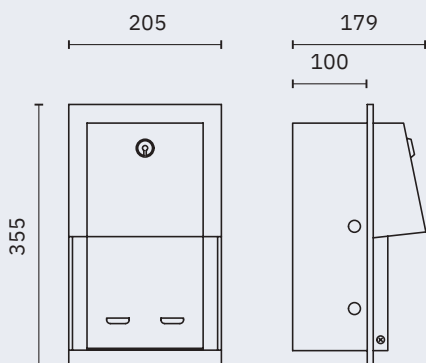
05204.S 05204.B

Without cover
Material
Stainless steel
Dimensions
160 x 160 x 77 mm
6 1/4" x 6 1/4" x 3"



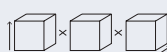
05206.B

Double roll dispenser, horizontal
Material
AISI 304 stainless steel
Dimensions
165 x 314 x 75 mm
6 1/2" x 1'-0 3/8" x 3"



05202.S

Double roll dispenser, vertical.
Security lock with pin tumbler lock
Material
AISI 304 stainless steel
Dimensions
355 x 205 x 179 mm
1'-2" x 8 1/8" x 7"





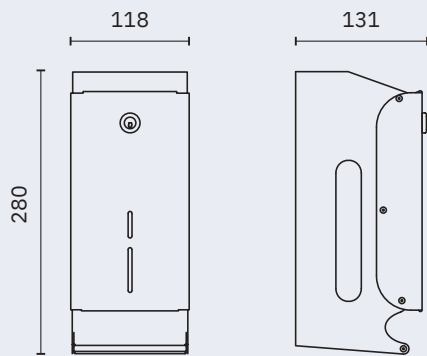
domestics

Content viewer. Safety lock with pin tumbler lock

Finish
Satin (.S) Polished (.B) White (.W)

Material
AISI 304 stainless steel
Finish (.W) painted steel

Toilet paper dispensers for domestic roll size format. Suitable for two, three and four rolls. Heavy duty and resistant to continued use, perfect for high traffic public spaces. Equipped with safety lock and easy to fill.



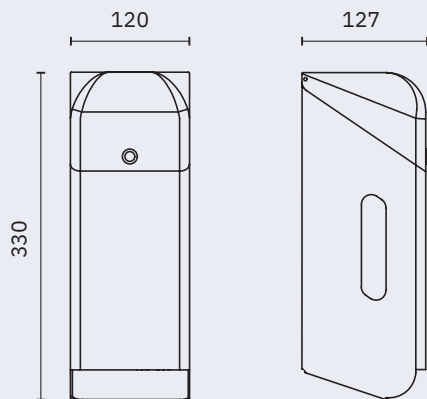
05101.S

05101.B

05101.W

Two rolls dispensers

Dimensions
280 x 118 x 131 mm
11" x 4 5/8" x 5 1/8"

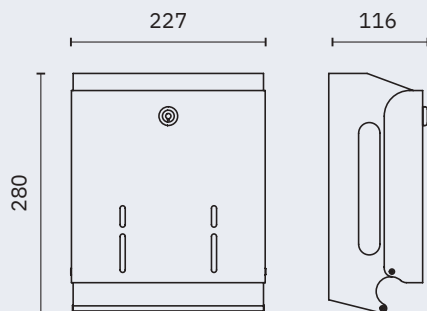


05100.S

05100.B

Three rolls dispensers

Dimensions
330 x 120 x 127 mm
1'-1" x 4 3/4" x 5"

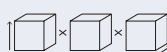


05105.S

05105.B

Four roll dispensers

Dimensions
280 x 227 x 116 mm
11" x 8 7/8" x 4 1/2"





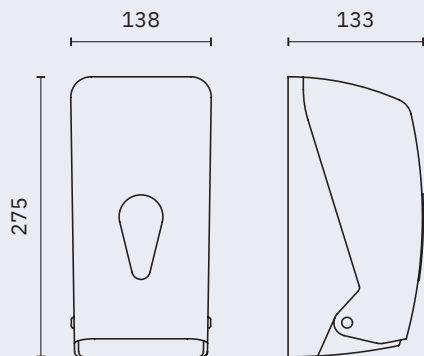
bulkpack

Content viewer

Finish

Satin (.S) White (.W) Black (.N)

Bulkpack toilet paper dispenser with safety lock with pin tumbler lock



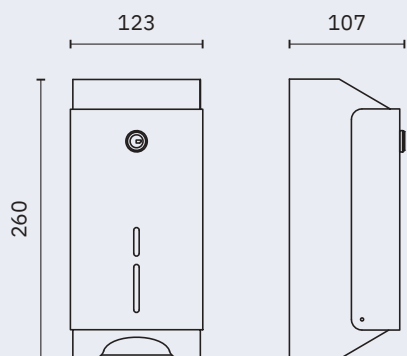
05118.N

05118.W

Material
ABS

Dimensions
275 x 138 x 133 mm
10 7/8" x 5 3/8" x 5 1/4"

Capacity
400 uses

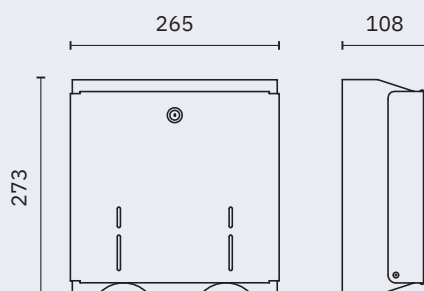


05107.S

With lock

Material
Stainless steel

Dimensions
260 x 123 x 107 mm
10 1/4" x 4 7/8" x 4 1/4"



05108.S

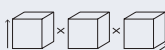
With pin tumbler lock

Material
Stainless steel

Dimensions
273 x 265 x 108 mm
10 3/4" x 10 3/8" x 4 1/4"



PAPER
DISPENSERS



NOBER



Content viewer

Finish
Satin (.S) Polished (.B) White (.W)

Towel paper dispenser with safety lock with pin tumbler lock. Can be combined with other products of the design range EVO. Several finishes: satin, polished, white ABS and other colours.

04046.S

Material
AISI 304 stainless steel

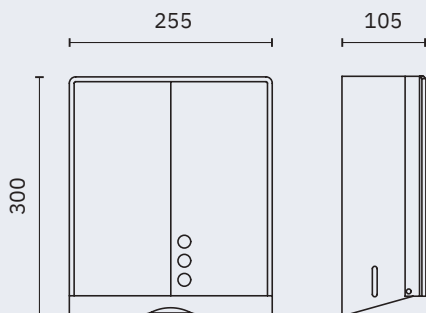
Dimensions
300 x 255 x 105 mm
11 3/4" x 10" x 4 1/8"



04046

Consumable
06009.E

Capacity
450 uses



04046.B

Material
AISI 304 stainless steel

Dimensions
300 x 255 x 105 mm
11 3/4" x 10" x 4 1/8"

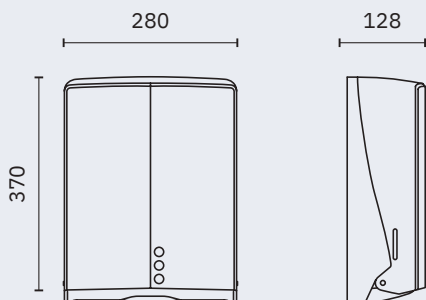


OTHER COLOURS

04047.W

Consumable
06009.E

Capacity
600 uses



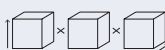
04047.W

Material
ABS

Dimensions
370 x 280 x 128 mm
1'-2 1/2" x 11" x 5"



NEW







tissue

Content viewer

Finish

Satin (.S)

Polished (.B)

Black (.N)

White (.W)



04006.S

04006.B

Material
AISI 304 stainless steel

Dimensions
300 x 280 x 100 mm
11 3/4" x 11" x 3 7/8"

Paper towel dispenser with safety lock

Consumable
06009.E

NEW

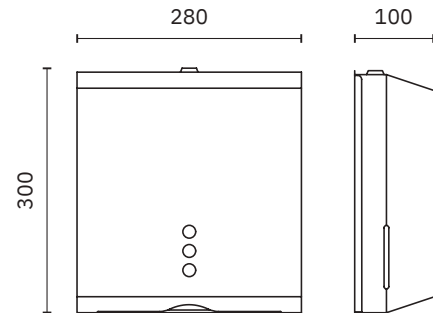


04006.N

04006.W

Material
Painted stainless steel

Dimensions
300 x 280 x 100 mm
11 3/4" x 11" x 3 7/8"

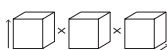
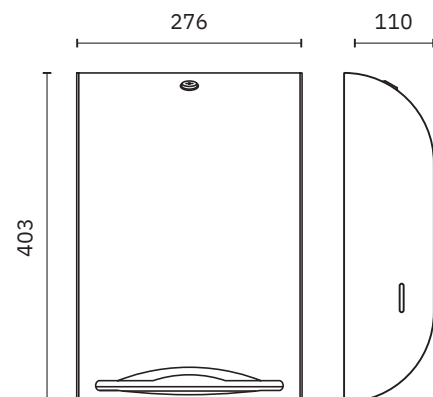


04007.W

Curved towel paper dispenser
INOX.

Material
AISI 304 stainless steel

Dimensions
403 x 276 x 110 mm
1'-3 7/8" x 10 7/8" x 4 3/8"

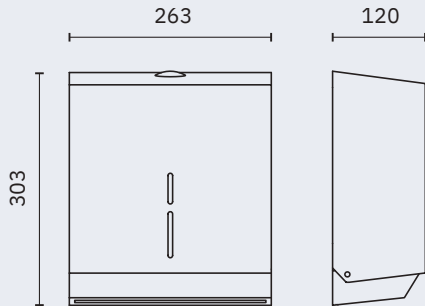


tissue

Content viewer

Finish

Satin (.S) Polished (.B) Black (.N) White (.W)



04005.S

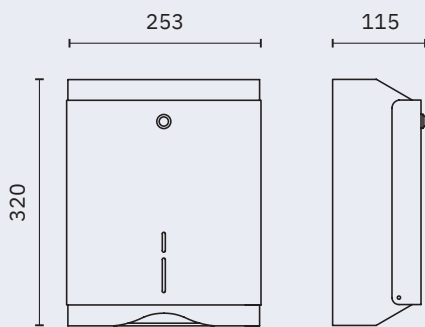
04005.B

Paper towel dispenser with safety and pin tumbler lock

Material
Stainless steel

Dimensions
303 x 263 x 120 mm
11 7/8" x 10 3/8" x 4 2/4"

Capacity Consumable
450 uses 06009.E



04010.S

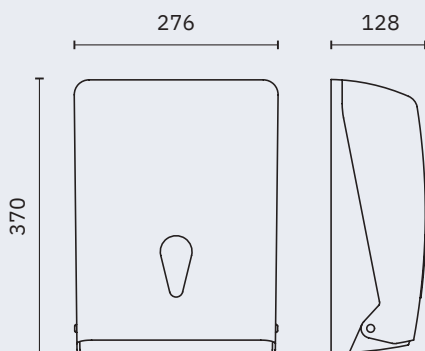
04010.B

Paper towel dispenser with safety and pin tumbler lock

Material
Stainless steel

Dimensions
320 x 253 x 115 mm
1'-0 5/8" x 10" x 4 1/2"

Capacity Consumable
500 uses 06009.E



04020.N

04020.W

Paper towel dispenser with safety lock

Material
ABS

Dimensions
370 x 276 x 128 mm
1'-2 5/8" x 10 7/8" x 5"

Capacity Consumable
600 uses 06009.E







Safety lock with pin tumbler lock

Finish
Satin (.S) Polished (.B)

Material
AISI 304 stainless steel

Capacity
One center-pull roll



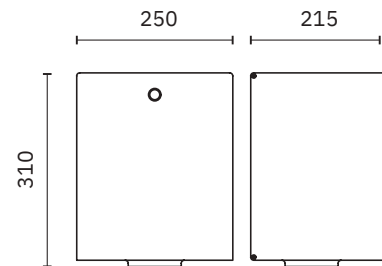
04099.S

04099.B

Towel paper dispenser for center-pull roll

Dimensions
310 x 250 x 215 mm
1'-0 1/4" x 9 7/8" x 8 1/5"

Maximum roll: Ø 200 mm
Ø: 200 mm



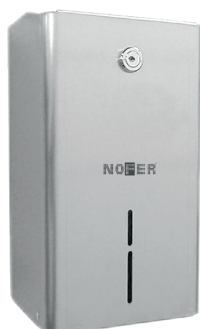
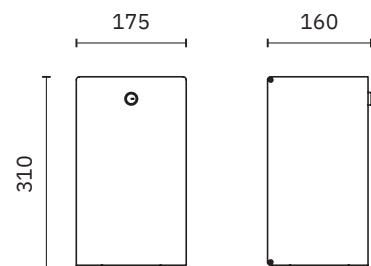
04099.MINI.S

04099.MINI.B

Towel paper dispenser for center-pull roll

Dimensions
310 x 175 x 160 mm
1'-0 1/4" x 6 7/8" x 6 1/4"

Maximum roll: Ø 200 mm
Ø: 135 mm

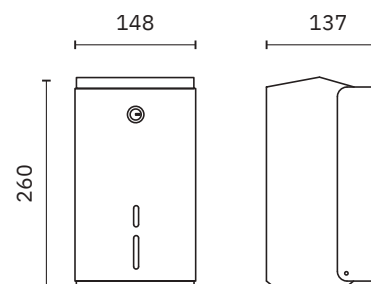


04098.MINI.S

Towel paper dispenser for center-pull roll

Dimensions
260 x 148 x 137 mm
10 1/4" x 5 7/8" x 5 3/8"

Maximum roll: Ø 200 mm
Ø: 135 mm



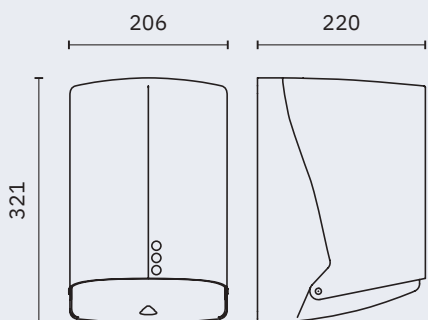
Content viewer. Safety lock

Finish
White (.W) Black (.N)

Material

ABS (models: 04108 and 04112)
Polypropylene (model 04101)

Capacity
One center-pull roll



04112.W

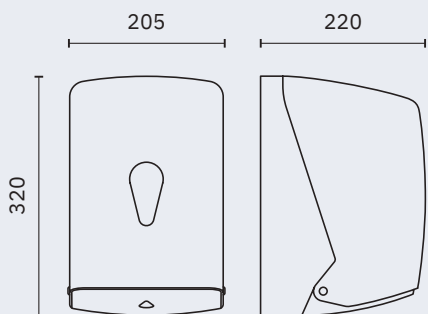
Towel paper dispenser for center-pull roll.

Maximum roll: 205 mm
Ø: 195 mm

Dimensions
321 x 206 x 220 mm
1'-0 5/8" x 8 1/8" x 8 5/8"



NEW



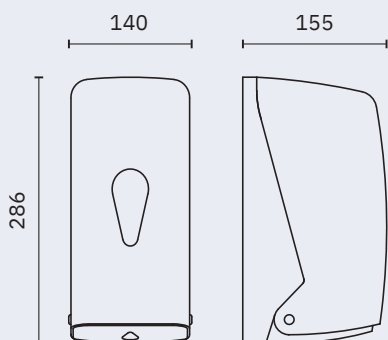
04108.N

04108.W

Towel paper dispenser for center-pull roll.

Maximum roll: 205 mm
Ø: 195 mm

Dimensions
320 x 205 x 220 mm
1'-0 1/2" x 8" x 8 5/8"



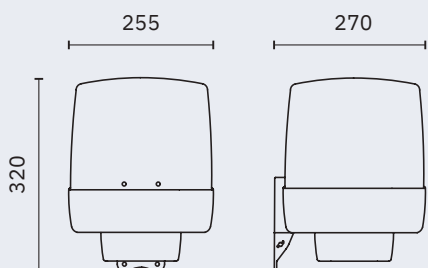
04108.MINI.N

04108.MINI.W

Towel paper dispenser for center-pull roll.

Maximum roll: 200 mm
Ø: 135 mm

Dimensions
286 x 140 x 155 mm
11 1/4" x 5 1/2" x 6 1/8"



04101.T

Towel paper dispenser for center-pull roll. Translucent cover.

Finish
White and fumé gray

Dimensions
320 x 255 x 270 mm
1'-0 5/8" x 10" x 10 5/8"

Maximum roll: Ø 200 mm
Ø: 135 mm



roll

Material
AISI 304 stainless steel

Finish
Satin (.S)

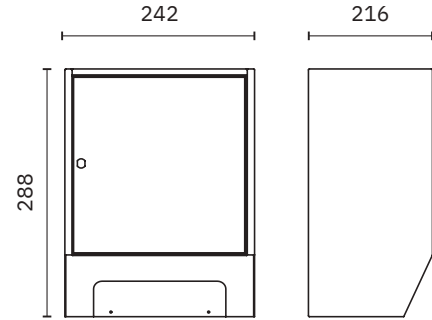


04035.S

Towel paper dispenser
- automatic supply - manual cut.
Operates with batteries.
Surface mounted installation

Dimensions
431 x 330 x 216 mm
1'-5" x 1'-1" x 8 1/2"

Maximum roll:
Ø 200 x 220 mm



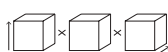
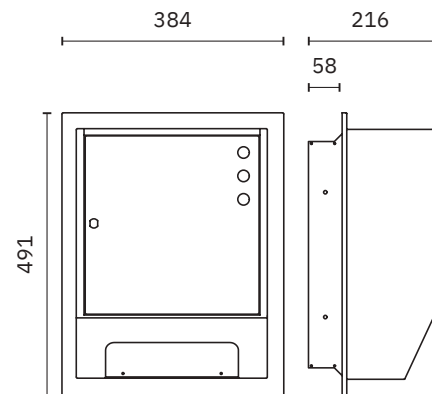
04035.REC.S

Towel paper dispenser
- automatic supply - manual cut.
Operates with batteries.
Semi-flush installation

Dimensions
491 x 384 x 216 mm
1'-7 3/8" x 1'-3 1/8" x 8 1/2"

Rough wall opening dimensions
410 x 350 x 68 mm
1'-4 1/8" x 1'-1 3/4" x 2 5/8"

Maximum roll:
Ø 200 x 220 mm

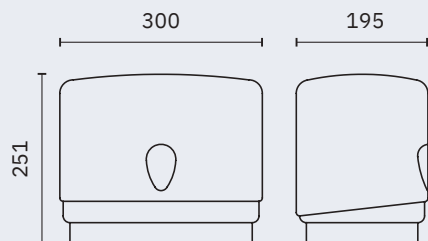


roll

Folded paper towel (in roll) dispensers with safety lock

Finish
Black (.N) White (.W)

Material
ABS

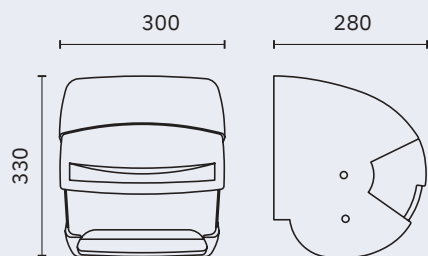


04003.W

For paper towel folded or rolled with content viewer

Dimensions
251 x 300 x 195 mm
9 7/8" x 11 3/4" x 7 5/8"

Maximum roll: Ø 240 mm
Ø: 155 mm



04001.N

04001.W

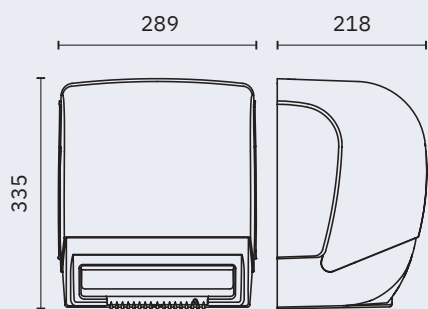
Manual continuous paper roll dispenser

Dimensions
330 x 300 x 280 mm
1'-1" x 11 3/4" x 11"

Maximum roll:
Ø 215 mm



NEW



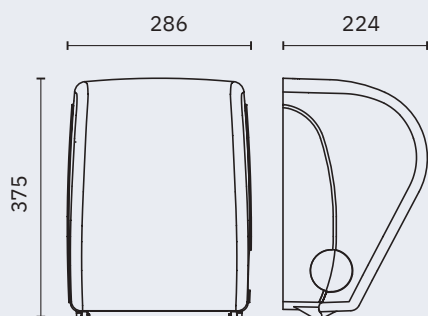
04004.2.N

04004.2.W

Paper towel dispenser manual cut and automatic supply with content viewer. Operates with batteries

Dimensions
335 x 289 x 218 mm
1'-1 1/4" x 11 3/8" x 8 5/8"

Maximum roll:
Ø 200 x 220 mm



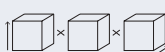
04032.2.N

04032.2.W

Towel paper dispenser manual cut and supply

Dimensions
375 x 286 x 224 mm
1'-2 3/4" x 11 1/4" x 8 7/8"

Maximum roll:
Ø 210, 197-210 mm







verona gold

NEW

- ✓ Collection of washroom accessories made of AISI 304 stainless steel
- ✓ Complements of blown glass
- ✓ Nuts and bolts of stainless steel
- ✓ Fixing screw to wall using mounting plate system

Material
AISI 304 stainless steel

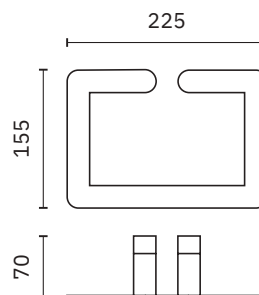
Finish
Brushed gold (.G)



16880.G

Towel ring

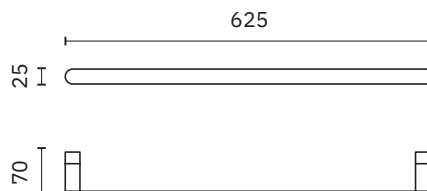
Dimensions
155 x 225 x 70 mm
6 1/8" x 8 7/8" x 2 3/4"



16870.60.G

Towel rack

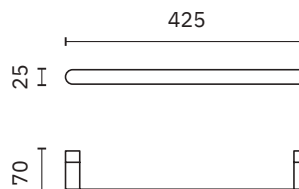
Dimensions
25 x 625 x 70 mm
1" x 2' 5/8" x 2 3/4"



16870.40.G

Towel rack

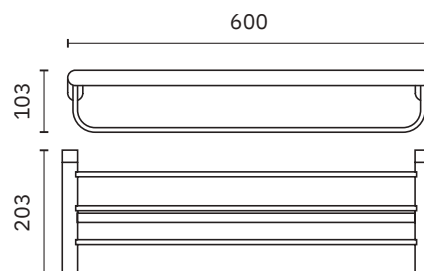
Dimensions
25 x 425 x 70 mm
1" x 1'-4 3/4" x 2 3/4"



16843.G

Towel rack shelf with bottom bar

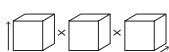
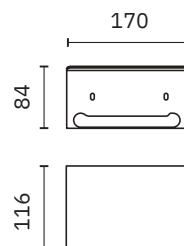
Dimensions
103 x 600 x 203 mm
4" x 1'-11 5/8" x 8"



16876.G

Toilet paper roll holder with shelf

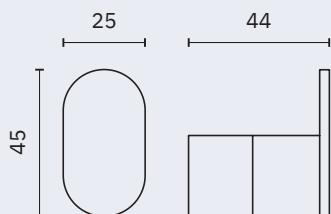
Dimensions
84 x 170 x 116 mm
3 1/4" x 6 5/8" x 4 1/2"



verona gold

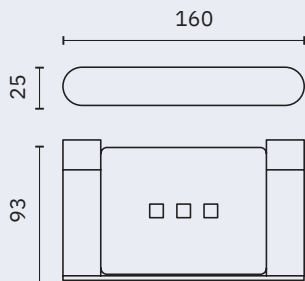
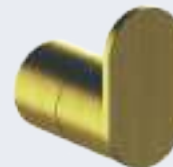


- ✓ Collection of washroom accessories made of AISI 304 stainless steel
 - ✓ Complements of blown glass
 - ✓ Nuts and bolts of stainless steel
 - ✓ Fixing screw to wall using mounting plate system
- Material
AISI 304 stainless steel
- Finish
Brushed gold (.G)



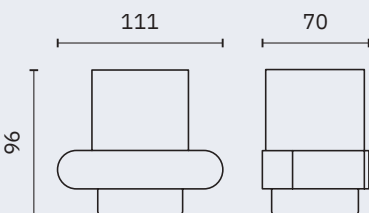
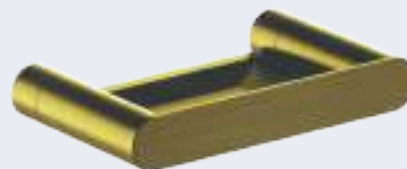
16871.G

Hook
Dimensions
45 x 25 x 44 mm
1 3/4" x 1" x 1 3/4"



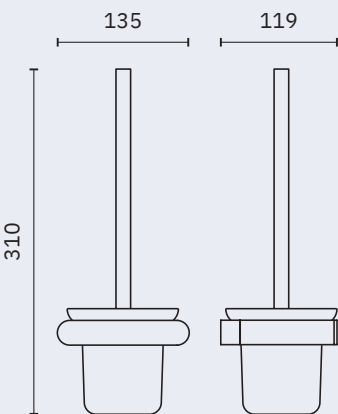
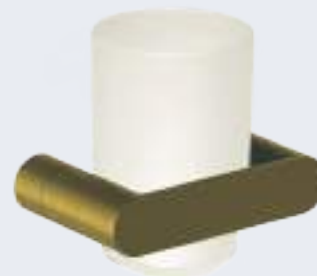
16875.G

Soap dish
Dimensions
25 x 160 x 93 mm
1" x 6 1/4" x 3 5/8"



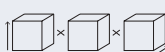
16881.G

Glass for toothbrush with wall support
Dimensions
96 x 111 x 70 mm
3 3/4" x 4 3/8" x 2 3/4"



16877.G

Toilet brush
Dimensions
310 x 135 x 119 mm
1'-0 1/4" x 5 3/8" x 4 5/8"







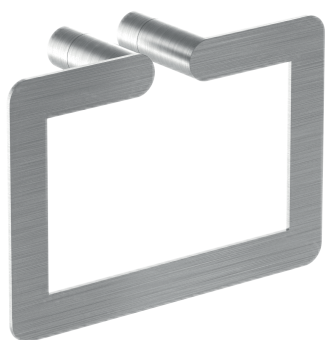
verona satin

NEW

- ✓ Collection of washroom accessories made of AISI 304 stainless steel
- ✓ Complements of blown glass
- ✓ Nuts and bolts of stainless steel
- ✓ Fixing screw to wall using mounting plate system

Material
AISI 304 stainless steel

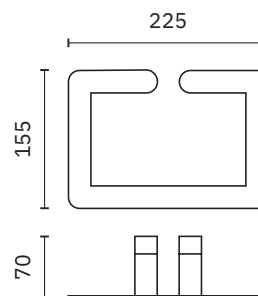
Finish
Satin (.S)



16880.S

Towel ring

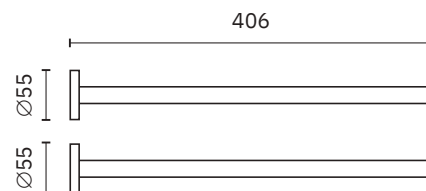
Dimensions
155 x 225 x 70 mm
6 1/8" x 8 7/8" x 2 3/4"



16874.S

Towel bar

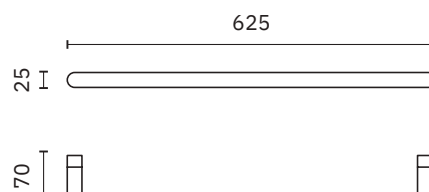
Dimensions
55 x 406 x 55 mm
2 1/8" x 1'-4" x 2 1/8"



16870.60.S

Towel rack

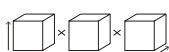
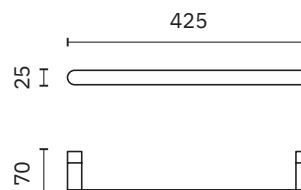
Dimensions
25 x 625 x 70 mm
1" x 2' 5/8" x 2 3/4"



16870.40.S

Towel rack

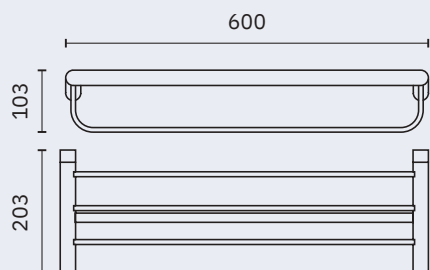
Dimensions
25 x 425 x 70 mm
1" x 1'-4 3/4" x 2 3/4"



verona satin



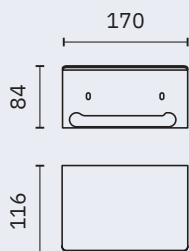
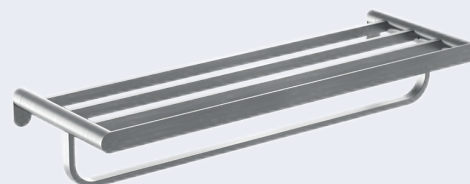
- ✓ Collection of washroom accessories made of AISI 304 stainless steel
 - ✓ Complements of blown glass
 - ✓ Nuts and bolts of stainless steel
 - ✓ Fixing screw to wall using mounting plate system
- Material
AISI 304 stainless steel
- Finish
Satin (.S)



16843.S

Towel rack shelf with bottom bar

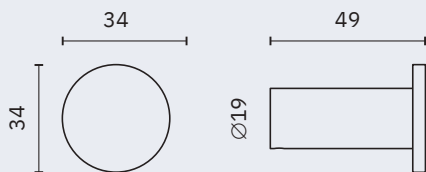
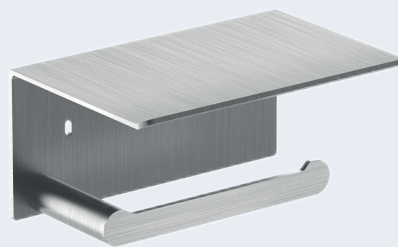
Dimensions
103 x 600 x 203 mm
4" x 1'-11 5/8" x 8"



16876.S

Toilet paper roll holder

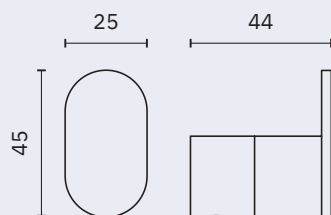
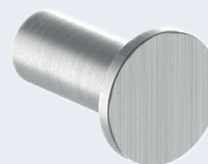
Dimensions
84 x 170 x 116 mm
3 1/4" x 6 5/8" x 4 1/2"



16873.S

Hook

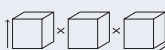
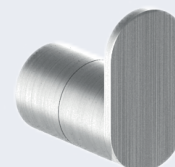
Dimensions
34 x 34 x 49 mm
1 3/8" x 1 3/8" x 1 7/8"



16871.S

Hook

Dimensions
45 x 25 x 44 mm
1 3/4" x 1" x 1 3/4"



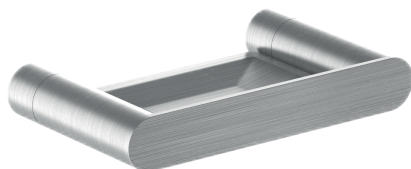
verona satin

NEW

- ✓ Collection of washroom accessories made of AISI 304 stainless steel
- ✓ Complements of blown glass
- ✓ Nuts and bolts of stainless steel
- ✓ Fixing screw to wall using mounting plate system

Material
AISI 304 stainless steel

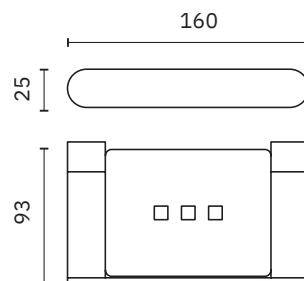
Finish
Satin (.S)



16875.S

Soap dish

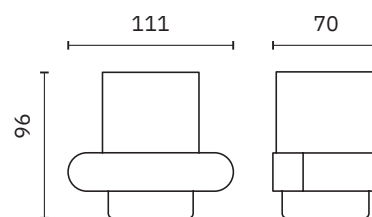
Dimensions
25 x 160 x 93 mm
1" x 6 1/4" x 3 5/8"



16881.S

Glass for toothbrush with wall support

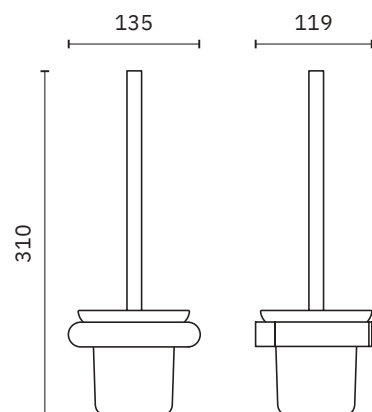
Dimensions
96 x 111 x 70 mm
3 3/4" x 4 3/8" x 2 3/4"



16877.S

Toilet brush

Dimensions
310 x 135 x 119 mm
1'-0 1/4" x 5 3/8" x 4 5/8"

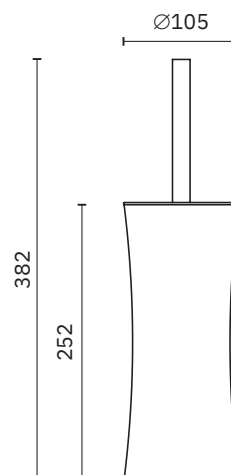


09078.S

Toilet brush holder

Material
Stainless steel

Dimensions
382 mm x Ø 105 mm
1'-3" x Ø 4 1/4"





verona polished



- ✓ Collection of washroom accessories made of AISI 304 stainless steel
- ✓ Complements of blown glass
- ✓ Nuts and bolts of stainless steel
- ✓ Fixing screw to wall using mounting plate system

Material
AISI 304 stainless steel

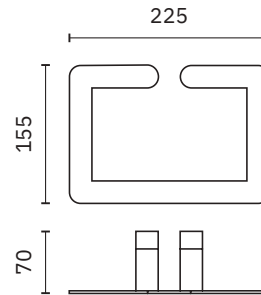
Finish
Polished (.B)



16880.B

Towel ring

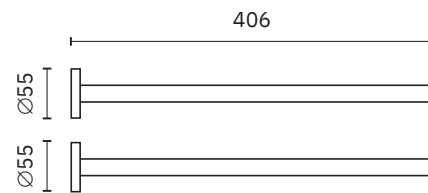
Dimensions
155 x 225 x 70 mm
6 1/8" x 8 7/8" x 2 3/4"



16874.B

Towel bar

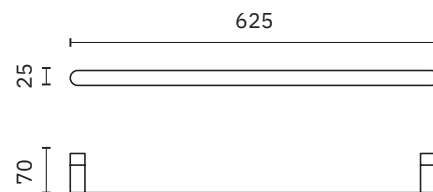
Dimensions
55 x 406 x 55 mm
2 1/8" x 1'-4" x 2 1/8"



16870.60.B

Towel rack

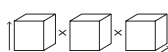
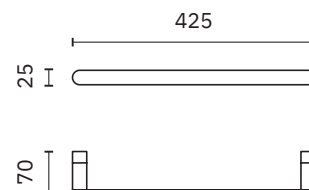
Dimensions
25 x 625 x 70 mm
1" x 2' 5/8" x 2 3/4"



16870.40.B

Towel rack

Dimensions
25 x 425 x 70 mm
1" x 1'-4 3/4" x 2 3/4"



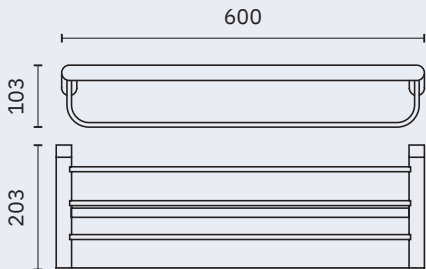
verona polished



- ✓ Collection of washroom accessories made of AISI 304 stainless steel
- ✓ Complements of blown glass
- ✓ Nuts and bolts of stainless steel
- ✓ Fixing screw to wall using mounting plate system

Material
AISI 304 stainless steel

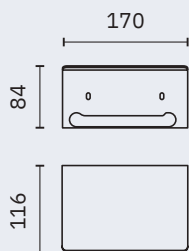
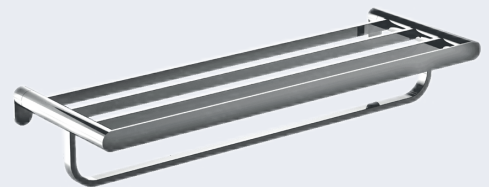
Finish
Polished (.B)



16843.B

Towel rack shelf with bottom bar

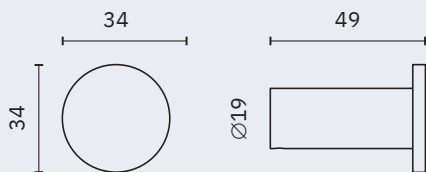
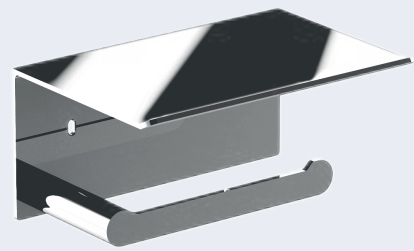
Dimensions
103 x 600 x 203 mm
4" x 1'-11 5/8" x 8"



16876.B

Toilet paper roll holder with shelf

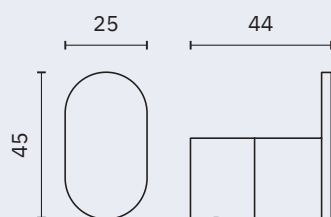
Dimensions
84 x 170 x 116 mm
3 1/4" x 6 5/8" x 4 1/2"



16873.B

Hook

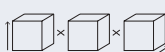
Dimensions
34 x 34 x 49 mm
1 3/8" x 1 3/8" x 1 7/8"



16871.B

Hook

Dimensions
45 x 25 x 44 mm
1 3/4" x 1" x 1 3/4"



verona polished



- ✓ Collection of washroom accessories made of AISI 304 stainless steel
- ✓ Complements of blown glass
- ✓ Nuts and bolts of stainless steel
- ✓ Fixing screw to wall using mounting plate system

Material
AISI 304 stainless steel

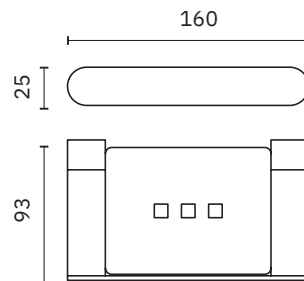
Finish
Polished (.B)



16875.B

Soap dish

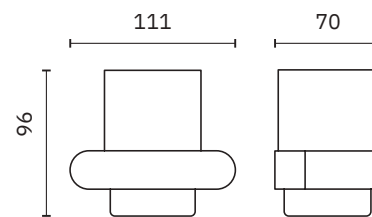
Dimensions
25 x 160 x 93 mm
1" x 6 1/4" x 3 5/8"



16881.B

Glass for toothbrush with wall support

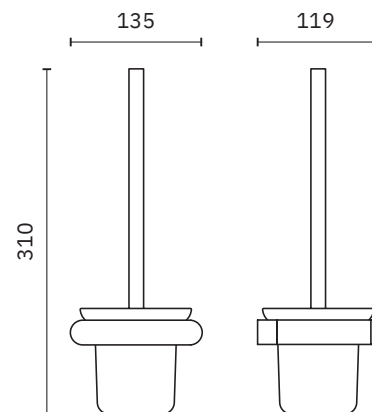
Dimensions
96 x 111 x 70 mm
3 3/4" x 4 3/8" x 2 3/4"



16877.B

Toilet brush

Dimensions
310 x 135 x 119 mm
1'-0 1/4" x 5 3/8" x 4 5/8"

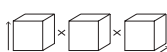
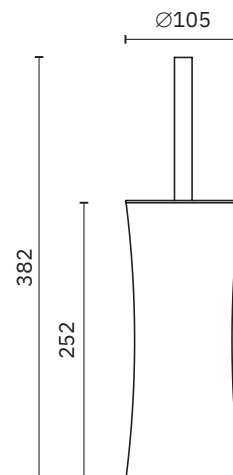


09078.B

Toilet brush holder

Material
Stainless steel

Dimensions
382 mm x Ø 105 mm
1'-3" x Ø 4 1/4"





verona black

NEW

- ✓ Collection of washroom accessories made of AISI 304 stainless steel
- ✓ Complements of blown glass
- ✓ Nuts and bolts of stainless steel
- ✓ Fixing screw to wall using mounting plate system

Material
AISI 304 stainless steel

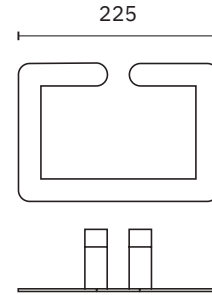
Finish
Black (.N)



16880.N

Towel ring

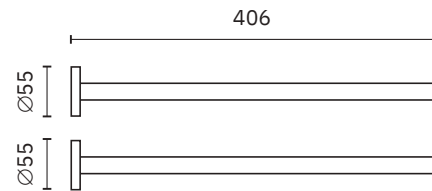
Dimensions
155 x 225 x 70 mm
6 1/8" x 8 7/8" x 2 3/4"



16874.N

Towel bar

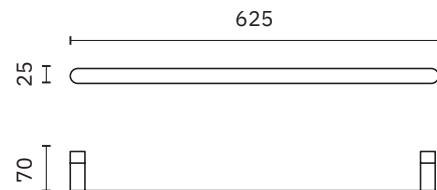
Dimensions
55 x 406 x 55 mm
2 1/8" x 1'-4" x 2 1/8"



16870.60.N

Towel rack

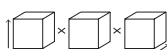
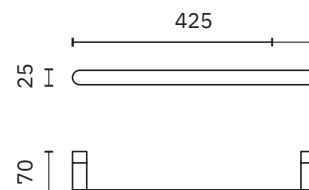
Dimensions
25 x 625 x 70 mm
1" x 2' 5/8" x 2 3/4"



16870.40.N

Towel rack

Dimensions
25 x 425 x 70 mm
1" x 1'-4 3/4" x 2 3/4"



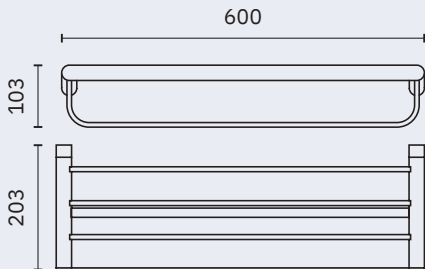
verona black

NEW

- ✓ Collection of washroom accessories made of AISI 304 stainless steel
- ✓ Complements of blown glass
- ✓ Nuts and bolts of stainless steel
- ✓ Fixing screw to wall using mounting plate system

Material
AISI 304 stainless steel

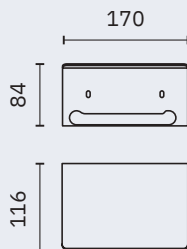
Finish
Black (.N)



16843.N

Towel rack shelf with bottom bar

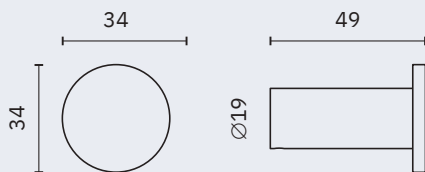
Dimensions
103 x 600 x 203 mm
4" x 1'-11 5/8" x 8"



16876.N

Toilet paper roll holder

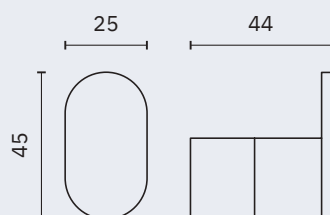
Dimensions
84 x 170 x 116 mm
3 1/4" x 6 5/8" x 4 1/2"



16873.N

Hook

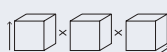
Dimensions
34 x 34 x 49 mm
1 3/8" x 1 3/8" x 1 7/8"



16871.N

Hook

Dimensions
45 x 25 x 44 mm
1 3/4" x 1" x 1 3/4"



verona black

NEW

- ✓ Collection of washroom accessories made of AISI 304 stainless steel
- ✓ Complements of blown glass
- ✓ Nuts and bolts of stainless steel
- ✓ Fixing screw to wall using mounting plate system

Material
AISI 304 stainless steel

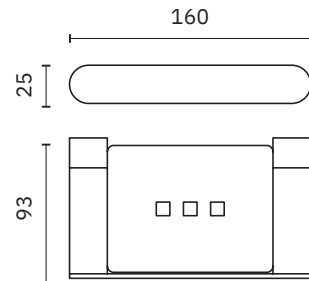
Finish
Black (.N)



16875.N

Soap dish

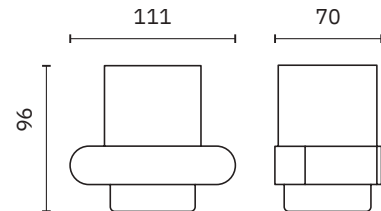
Dimensions
25 x 160 x 93 mm
1" x 6 1/4" x 3 5/8"



16881.N

Glass for toothbrush with wall support

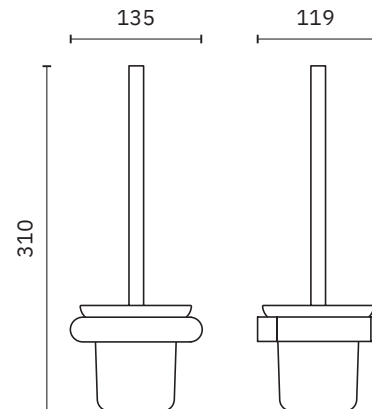
Dimensions
96 x 111 x 70 mm
3 3/4" x 4 3/8" x 2 3/4"



16877.N

Toilet brush

Dimensions
310 x 135 x 119 mm
1'-0 1/4" x 5 3/8" x 4 5/8"

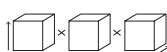
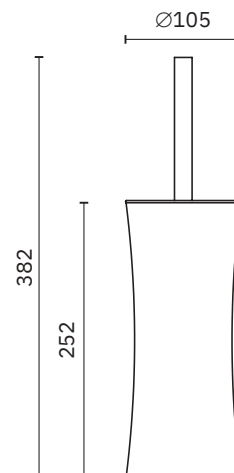


09078.N

Toilet brush holder

Material
Stainless steel

Dimensions
382 mm x Ø 105 mm
1'-3" x Ø 4 1/4"









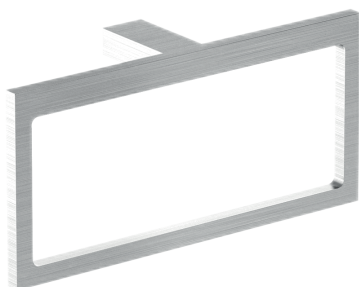
corinto satin

NEW

- ✓ Collection of washroom accessories made of AISI 304 stainless steel
- ✓ Complements of blown glass
- ✓ Nuts and bolts of stainless steel
- ✓ Fixing screw to wall using mounting plate system

Material
AISI 304 stainless steel

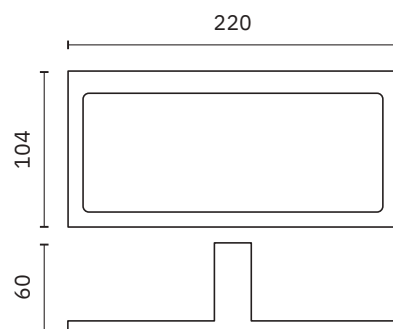
Finish
Satin (.S)



16930.S

Towel ring

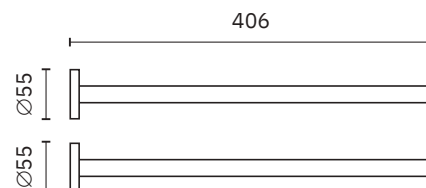
Dimensions
104 x 220 x 60 mm
4 1/8" x 8 5/8" x 2 3/8"



16874.S

Towel bar

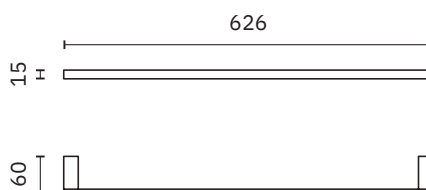
Dimensions
55 x 406 x 55 mm
2 1/8" x 1'-4" x 2 1/8"



16920.60.S

Towel rack

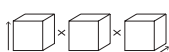
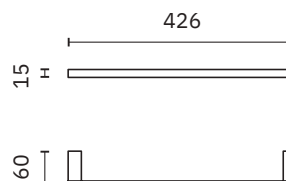
Dimensions
15 x 626 x 60 mm
0 5/8" x 2'-0 5/8" x 2 3/8"



16920.40.S

Towel rack

Dimensions
15 x 426 x 60 mm
0 5/8" x 16 3/4" x 2 3/8"



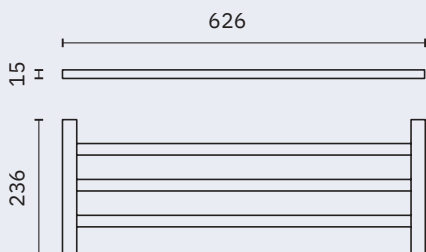
corinto satin

NEW

- ✓ Collection of washroom accessories made of AISI 304 stainless steel
- ✓ Complements of blown glass
- ✓ Nuts and bolts of stainless steel
- ✓ Fixing screw to wall using mounting plate system

Material
AISI 304 stainless steel

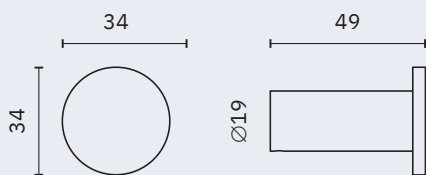
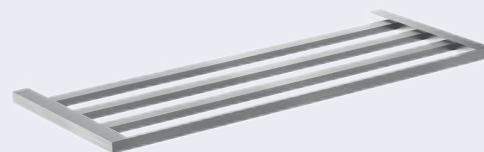
Finish
Satin (.S)



16923.S

Towel shelf

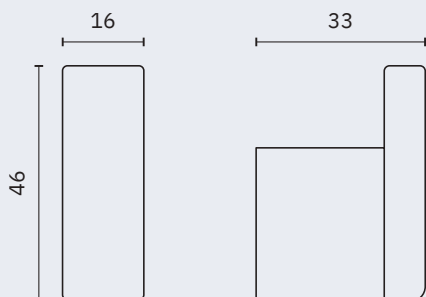
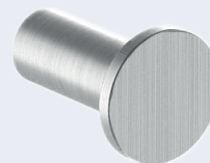
Dimensions
15 x 626 x 236 mm
0 5/8" x 24 5/8" x 9 1/4"



16873.S

Hook

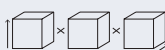
Dimensions
34 x 34 x 49 mm
1 3/8" x 1 3/8" x 1 7/8"



16921.S

Hook

Dimensions
46 x 16 x 33 mm
1 3/4" x 0 5/8" x 1 1/4"



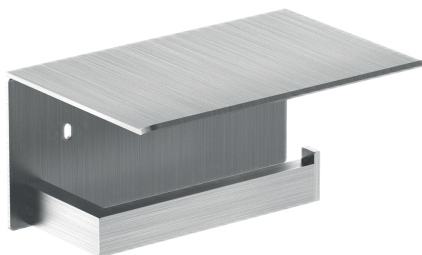
corinto satin

NEW

- ✓ Collection of washroom accessories made of AISI 304 stainless steel
- ✓ Complements of blown glass
- ✓ Nuts and bolts of stainless steel
- ✓ Fixing screw to wall using mounting plate system

Material
AISI 304 stainless steel

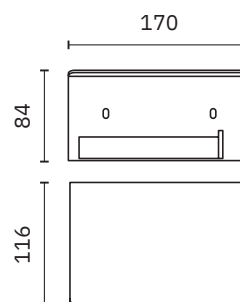
Finish
Satin (.S)



16878.S

Toilet paper roll holder with shelf

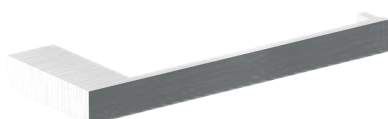
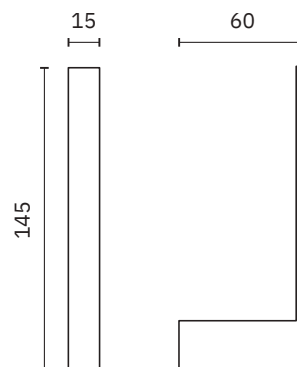
Dimensions
84 x 170 x 116 mm
3 1/4" x 6 3/4" x 4 1/2"



16929.S

Spare toilet paper roll holder

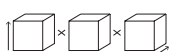
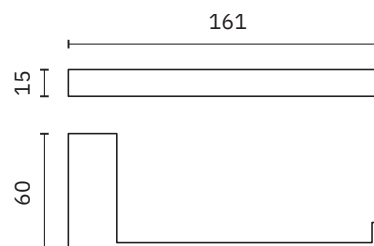
Dimensions
145 x 15 x 60 mm
5 3/4" x 0 5/8" x 2 3/8"



16932.S

Toilet paper roll holder

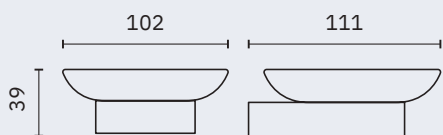
Dimensions
15 x 161 x 60 mm
0 5/8" x 6 3/8" x 2 3/8"



corinto satin

NEW

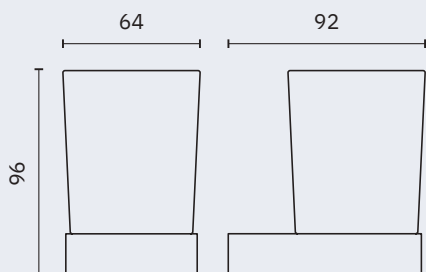
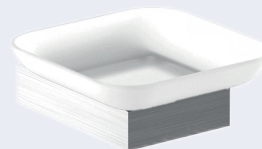
- ✓ Collection of washroom accessories made of AISI 304 stainless steel
 - ✓ Complements of blown glass
 - ✓ Nuts and bolts of stainless steel
 - ✓ Fixing screw to wall using mounting plate system
- Material
AISI 304 stainless steel
- Finish
Satin (.S)



16925.S

Soap dish

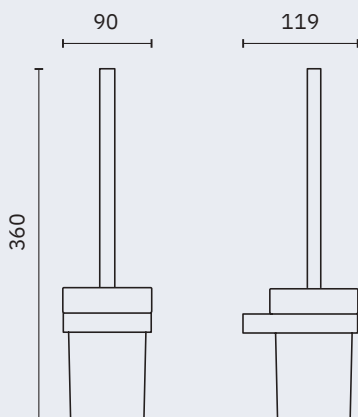
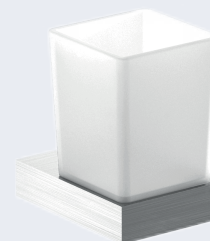
Dimensions
39 x 102 x 111 mm
1 1/2" x 4" x 4 3/8"



16931.S

Glass for toothbrush with wall support

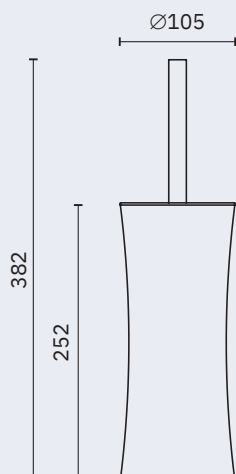
Dimensions
96 x 64 x 92 mm
3 3/4" x 2 1/2" x 3 5/8"



16937.S

Toilet brush

Dimensions
360 x 90 x 119 mm
1'-2 1/8" x 3 1/2" x 4 3/4"

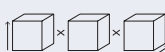


09078.S

Toilet brush holder

Material
Stainless steel

Dimensions
382 mm x Ø 105 mm
1'-3" x Ø 4 1/4"



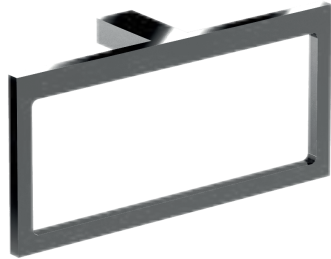
corinto polished

NEW

- ✓ Collection of washroom accessories made of AISI 304 stainless steel
- ✓ Complements of blown glass
- ✓ Nuts and bolts of stainless steel
- ✓ Fixing screw to wall using mounting plate system

Material
AISI 304 stainless steel

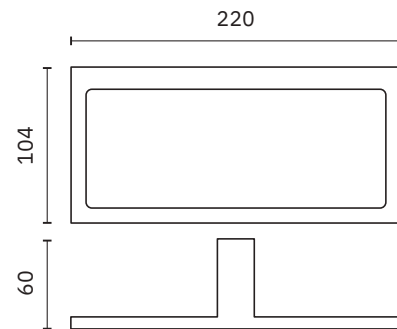
Finish
Polished (.B)



16930.B

Towel ring

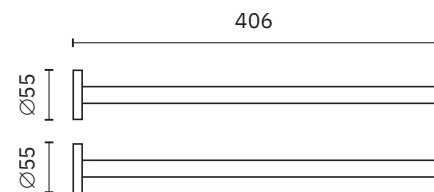
Dimensions
104 x 220 x 60 mm
4 1/8" x 8 5/8" x 2 3/8"



16874.B

Towel bar

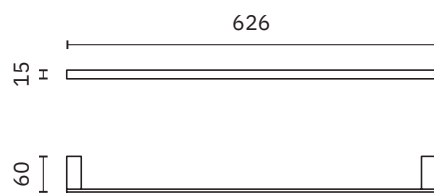
Dimensions
55 x 406 x 55 mm
2 1/8" x 1'-4" x 2 1/8"



16920.60.B

Towel rack

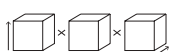
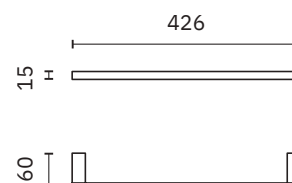
Dimensions
15 x 626 x 60 mm
0 5/8" x 2'-0 5/8" x 2 3/8"



16920.40.B

Towel rack

Dimensions
15 x 426 x 60 mm
0 5/8" x 16 3/4" x 2 3/8"



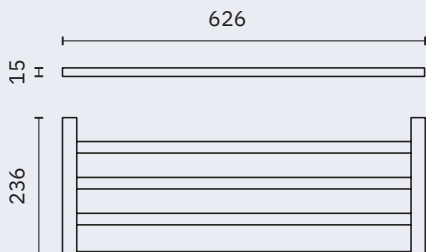
corinto polished

NEW

- ✓ Collection of washroom accessories made of AISI 304 stainless steel
- ✓ Complements of blown glass
- ✓ Nuts and bolts of stainless steel
- ✓ Fixing screw to wall using mounting plate system

Material
AISI 304 stainless steel

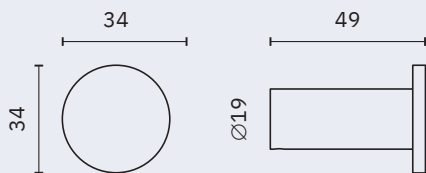
Finish
Polished (.B)



16923.B

Towel shelf

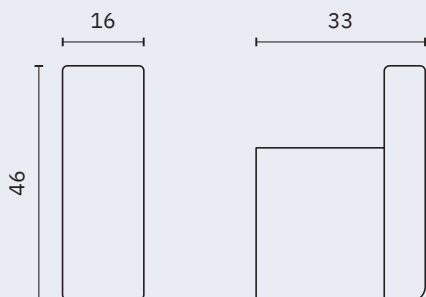
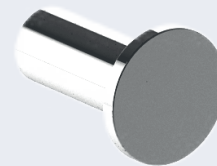
Dimensions
15 x 626 x 236 mm
0 5/8" x 24 5/8" x 9 1/4"



16873.B

Hook

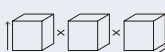
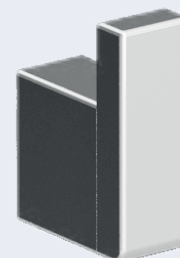
Dimensions
34 x 34 x 49 mm
1 3/8" x 1 3/8" x 1 7/8"



16921.B

Hook

Dimensions
46 x 16 x 33 mm
1 3/4" x 0 5/8" x 1 1/4"



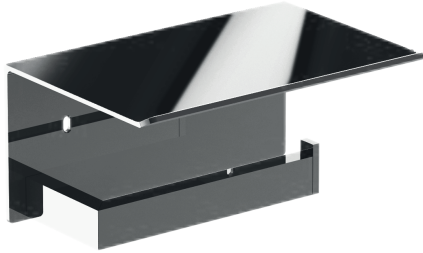
corinto polished

NEW

- ✓ Collection of washroom accessories made of AISI 304 stainless steel
- ✓ Complements of blown glass
- ✓ Nuts and bolts of stainless steel
- ✓ Fixing screw to wall using mounting plate system

Material
AISI 304 stainless steel

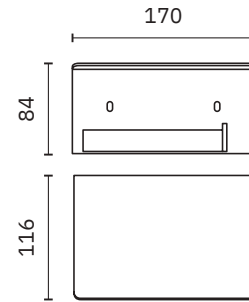
Finish
Polished (.B)



16878.B

Toilet paper roll holder with shelf

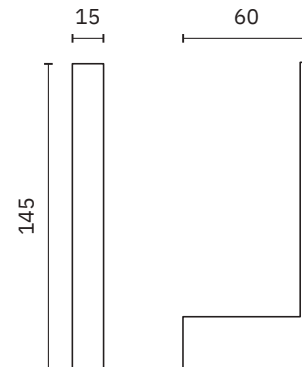
Dimensions
84 x 170 x 116 mm
3 1/4" x 6 3/4" x 4 1/2"



16929.B

Spare toilet paper roll holder

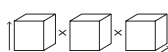
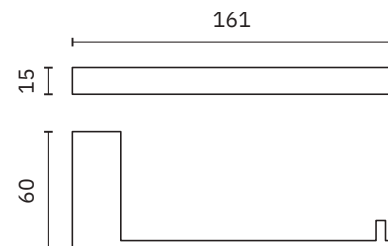
Dimensions
145 x 15 x 60 mm
5 3/4" x 0 5/8" x 2 3/8"



16932.B

Toilet paper roll holder

Dimensions
15 x 161 x 60 mm
0 5/8" x 6 3/8" x 2 3/8"



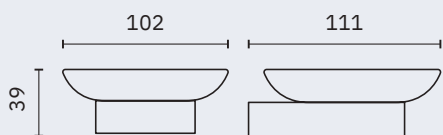
corinto polished

NEW

- ✓ Collection of washroom accessories made of AISI 304 stainless steel
- ✓ Complements of blown glass
- ✓ Nuts and bolts of stainless steel
- ✓ Fixing screw to wall using mounting plate system

Material
AISI 304 stainless steel

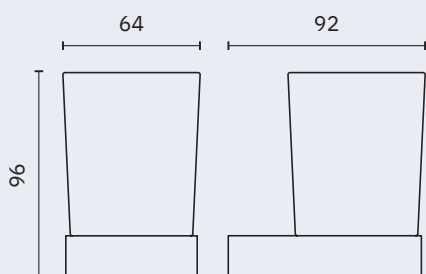
Finish
Polished (.B)



16925.B

Soap dish

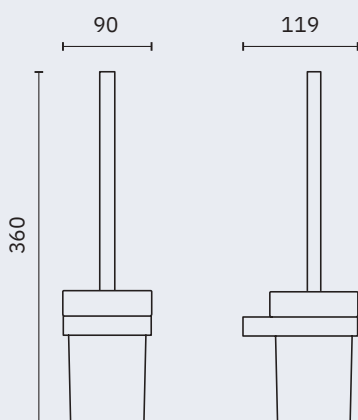
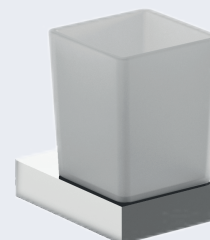
Dimensions
39 x 102 x 111 mm
1 1/2" x 4" x 4 3/8"



16931.B

Glass for toothbrush with wall support

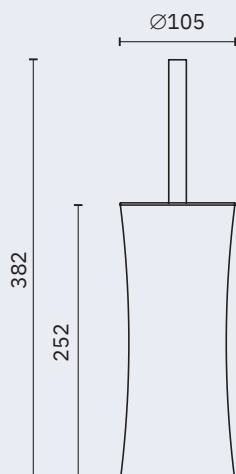
Dimensions
96 x 64 x 92 mm
3 3/4" x 2 1/2" x 3 5/8"



16937.B

Toilet brush

Dimensions
360 x 90 x 119 mm
1'-2 1/8" x 3 1/2" x 4 3/4"

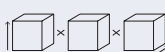


09078.B

Toilet brush holder

Material
Stainless steel

Dimensions
382 mm x Ø 105 mm
1'-3" x Ø 4 1/4"



corinto black



- ✓ Collection of washroom accessories made of AISI 304 stainless steel
- ✓ Complements of blown glass
- ✓ Nuts and bolts of stainless steel
- ✓ Fixing screw to wall using mounting plate system

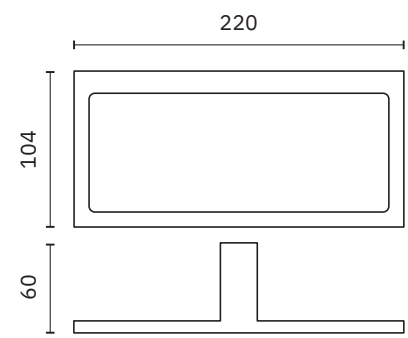
Material
AISI 304 stainless steel

Finish
Black (.N)



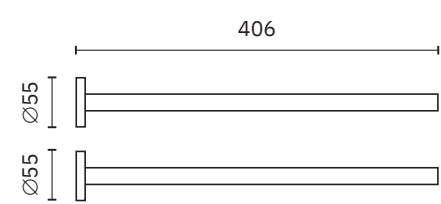
16930.N

Towel ring
Dimensions
104 x 220 x 60 mm
4 1/8" x 8 5/8" x 2 3/8"



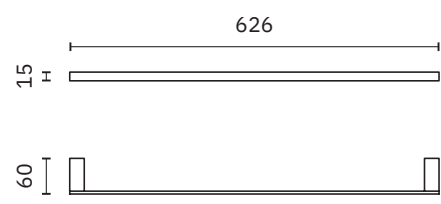
16874.N

Towel bar
Dimensions
55 x 406 x 55 mm
2 1/8" x 1'-4" x 2 1/8"



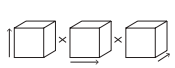
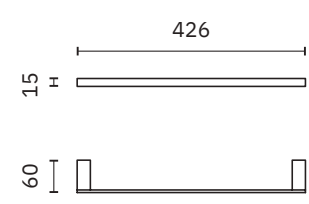
16920.60.N

Towel rack
Dimensions
15 x 626 x 60 mm
0 5/8" x 2'-0 5/8" x 2 3/8"



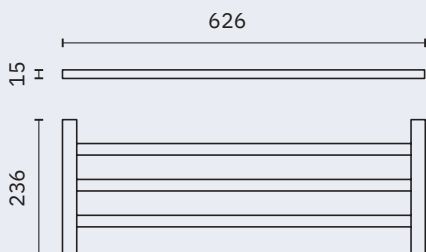
16920.40.N

Towel rack
Dimensions
15 x 426 x 60 mm
0 5/8" x 16 3/4" x 2 3/8"



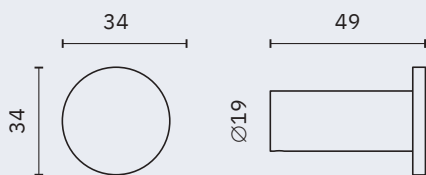
corinto black NEW

- ✓ Collection of washroom accessories made of AISI 304 stainless steel
 - ✓ Complements of blown glass
 - ✓ Nuts and bolts of stainless steel
 - ✓ Fixing screw to wall using mounting plate system
- Material
AISI 304 stainless steel
- Finish
Black (.N)



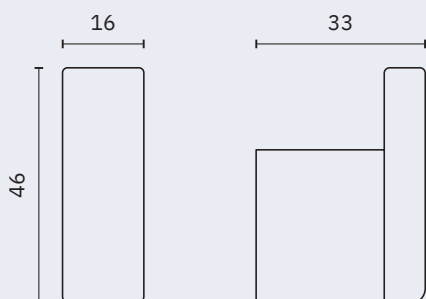
16923.N

Towel shelf
 Dimensions
 15 x 626 x 236 mm
 0 5/8" x 24 5/8" x 9 1/4"



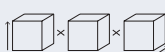
16873.N

Hook
 Dimensions
 34 x 34 x 49 mm
 1 3/8" x 1 3/8" x 1 7/8"



16921.N

Hook
 Dimensions
 46 x 16 x 33 mm
 1 3/4" x 0 5/8" x 1 1/4"



corinto black



- ✓ Collection of washroom accessories made of AISI 304 stainless steel
- ✓ Complements of blown glass
- ✓ Nuts and bolts of stainless steel
- ✓ Fixing screw to wall using mounting plate system

Material
AISI 304 stainless steel

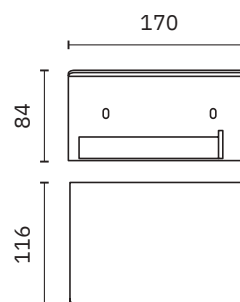
Finish
Black (.N)



16878.N

Toilet paper roll holder with shelf

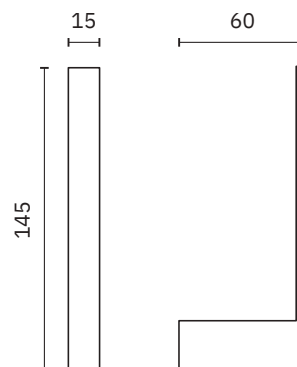
Dimensions
84 x 170 x 116 mm
3 1/4" x 6 3/4" x 4 1/2"



16929.N

Spare toilet paper roll holder

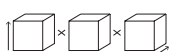
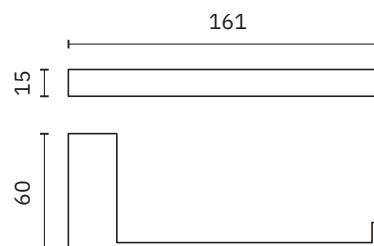
Dimensions
145 x 15 x 60 mm
5 3/4" x 0 5/8" x 2 3/8"



16932.N

Toilet paper roll holder

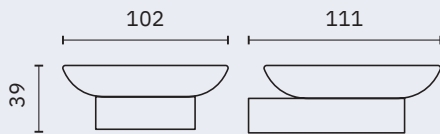
Dimensions
15 x 161 x 60 mm
0 5/8" x 6 3/8" x 2 3/8"



corinto black

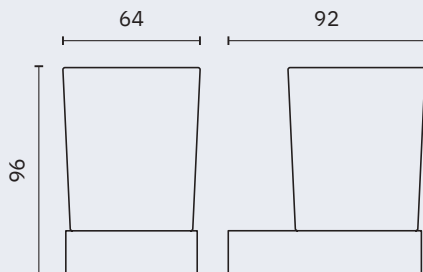
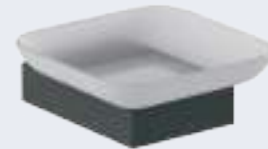


- ✓ Collection of washroom accessories made of AISI 304 stainless steel
 - ✓ Complements of blown glass
 - ✓ Nuts and bolts of stainless steel
 - ✓ Fixing screw to wall using mounting plate system
- Material
AISI 304 stainless steel
- Finish
Black (.N)



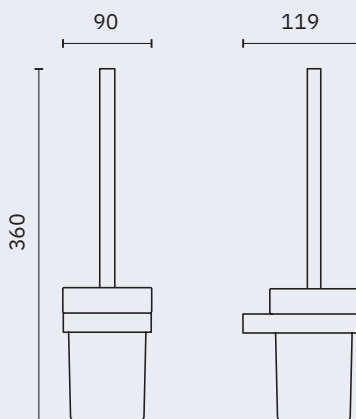
16925.N

Soap dish
Dimensions
39 x 102 x 111 mm
1 1/2" x 4" x 4 3/8"



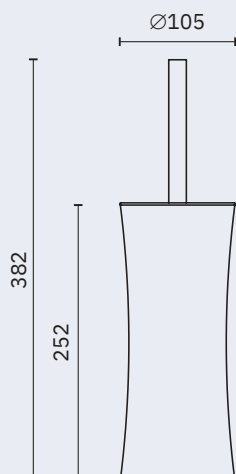
16931.N

Glass for toothbrush with wall support
Dimensions
96 x 64 x 92 mm
3 3/4" x 2 1/2" x 3 5/8"



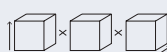
16937.N

Toilet brush
Dimensions
360 x 90 x 119 mm
1'-2 1/8" x 3 1/2" x 4 3/4"



09078.N

Toilet brush holder
Material
Stainless steel
Dimensions
382 mm x Ø 105 mm
1'-3" x Ø 4 1/4"



roma

- ✓ Collection of washroom accessories made of AISI 304 stainless steel
- ✓ Complements of blown glass
- ✓ Nuts and bolts of stainless steel
- ✓ Fixing screw to wall using mounting plate system

Material
AISI 304 stainless steel

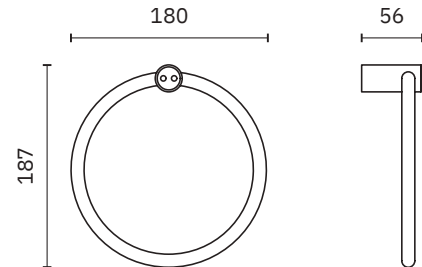
Finish
Satin (.S)



16827.S

Towel ring

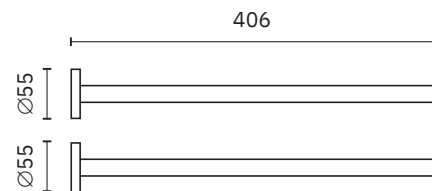
Dimensions
187 x 180 x 56 mm
7 3/8" x 7 1/8" x 2 1/4"
Ø 12 mm ring tube



16874.S

Towel bar

Dimensions
55 x 406 x 55 mm
2 1/8" x 1'-4" x 2 1/8"



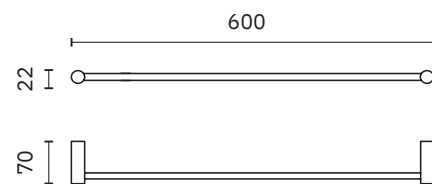
NEW



16820.60.S

Towel rack

Dimensions
22 x 600 x 70 mm
7/8" x 1'-11 5/8" x 2 3/4"
Ø 10 mm



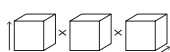
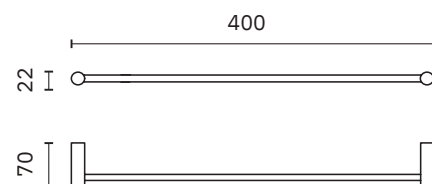
NEW



16820.40.S

Towel rack

Dimensions
22 x 400 x 70 mm
7/8" x 1'-3 3/4" x 2 3/4"
Ø 10 mm

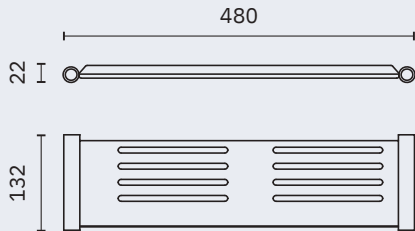


roma

- ✓ Collection of washroom accessories made of AISI 304 stainless steel
- ✓ Complements of blown glass
- ✓ Nuts and bolts of stainless steel
- ✓ Fixing screw to wall using mounting plate system

Material
AISI 304 stainless steel

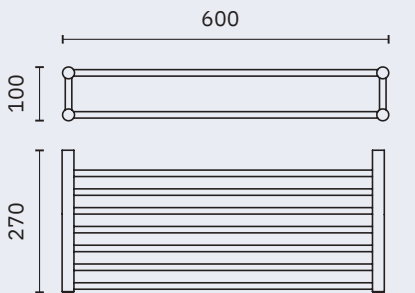
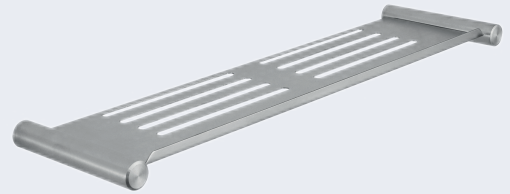
Finish
Satin (.S)



16824.S

Utility shelf

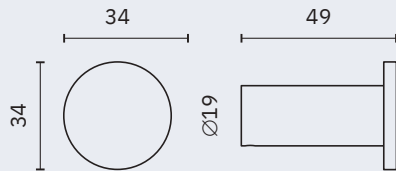
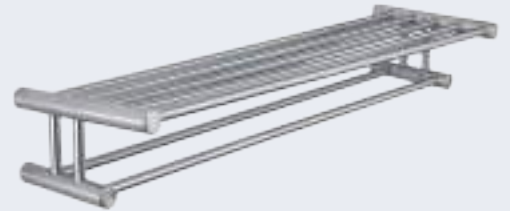
Dimensions
22 x 480 x 132 mm
7/8" x 1'-6 7/8" x 5 1/4"



16822.S

Towel rack shelf with double bottom bar

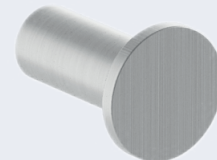
Dimensions
100 x 600 x 270 mm
3 7/8" x 23 5/8" x 10 5/8"



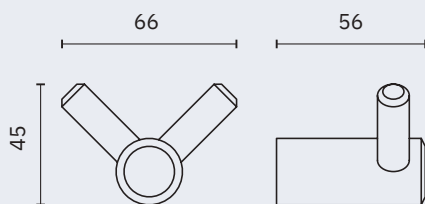
16873.S

Hook

Dimensions
34 x 34 x 49 mm
1 3/8" x 1 3/8" x 1 7/8"



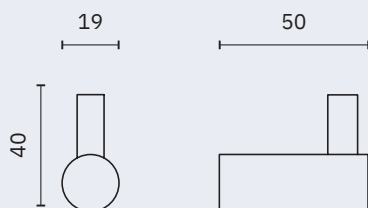
NEW



16821.S

Double hook

Dimensions
45 x 66 x 56 mm
1 3/4" x 2 5/8" x 2 1/4"



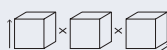
16828.S

Hook

Dimensions
40 x 19 x 50 mm
1 5/8" x 0 3/4" x 2"



NEW



roma

- ✓ Collection of washroom accessories made of AISI 304 stainless steel
- ✓ Complements of blown glass
- ✓ Nuts and bolts of stainless steel
- ✓ Fixing screw to wall using mounting plate system

Material
AISI 304 stainless steel

Finish
Satin (.S)

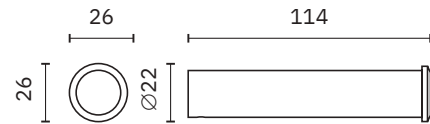
NEW



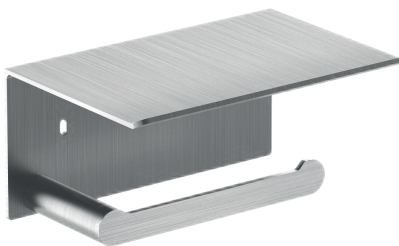
16829.S

Toilet paper roll holder

Dimensions
26 x 26 x 114 mm
1" x 1" x 4 1/2"



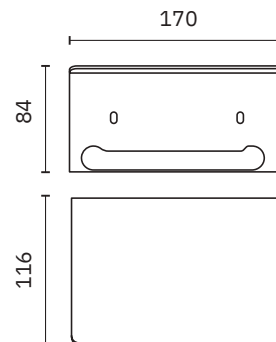
NEW



16876.S

Toilet paper roll holder with shelf

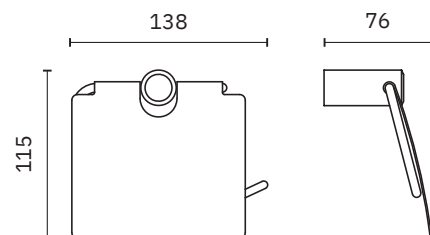
Dimensions
84 x 170 x 116 mm
3 1/4" x 6 3/4" x 4 1/2"



16826.S

Toilet paper roll holder

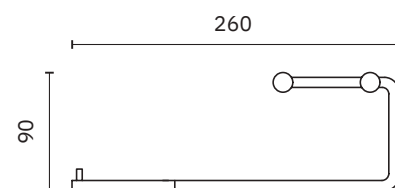
Dimensions
115 x 138 x 76 mm
4 1/2" x 5 3/8" x 3"



16804.S

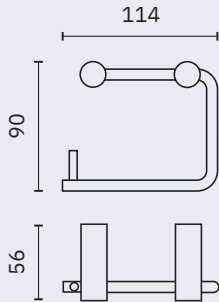
Toilet paper double roll holder

Dimensions
90 x 260 x 76 mm
3 1/3" x 10 1/4" x 3"



roma

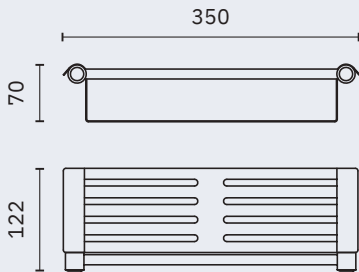
- ✓ Collection of washroom accessories made of AISI 304 stainless steel
 - ✓ Complements of blown glass
 - ✓ Nuts and bolts of stainless steel
 - ✓ Fixing screw to wall using mounting plate system
- Material
AISI 304 stainless steel
- Finish
Satin (.S)



16805.S

Toilet paper roll holder

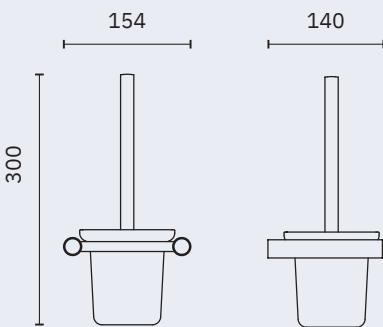
Dimensions
90 x 114 x 56 mm
3 1/2" x 4 1/2" x 2 1/4"



16823.S

Soap basket

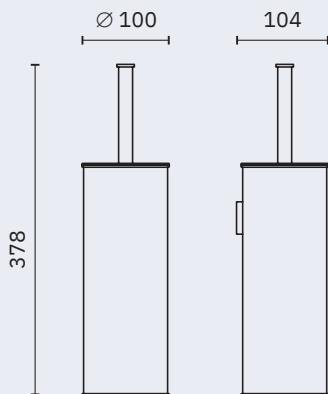
Dimensions
70 x 350 x 122 mm
2 3/4 x 1'-1 3/4" x 4 3/4"



16825.S

Toilet brush

Dimensions
300 x 154 x 140 mm
11 3/4" x 6 1/8" x 5 1/2"

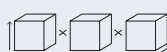


09059.S

Toilet brush holder with wall support

Material
Stainless steel

Dimensions
378 x 100 x 104 mm
1'-2 7/8" x 3 7/8" x 4 1/8"







barcelona

- ✓ Collection of washroom accessories made of AISI 304 stainless steel
- ✓ Complements of blown glass
- ✓ Nuts and bolts of stainless steel
- ✓ Fixing screw to wall using mounting plate system

Material
AISI 304 stainless steel

Finish
Polished (.B)



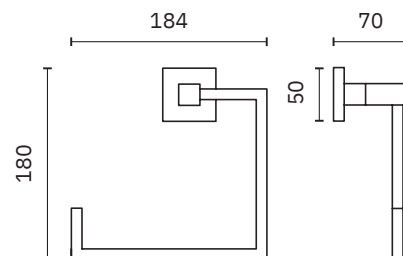
16905.B



OTHER COLOURS

Towel ring

Dimensions
180 x 184 x 70 mm 10 x 10 mm tube
7 1/8" x 7 1/4" x 2/3"



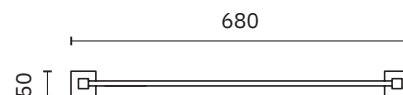
16901.B



OTHER COLOURS

Towel rack

Dimensions
50 x 680 x 70 mm 10 x 10 mm tube
2" x 2' 2 3/4" x 2 3/4"



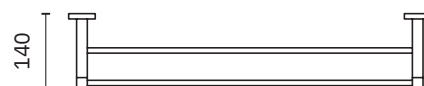
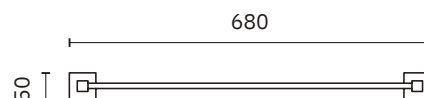
16902.B



OTHER COLOURS

Double towel bar

Dimensions
50 x 680 x 140 mm 10 x 10 mm tube
2" x 2' 2 3/4" x 5 1/2"



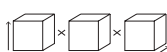
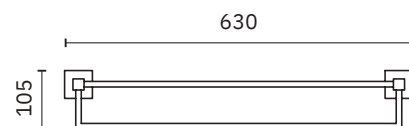
16916.B



OTHER COLOURS

Towel rack shelf with bottom bar

Dimensions
105 x 630 x 235 mm.
4 1/8" x 2-0 7/8" x 9 1/4"

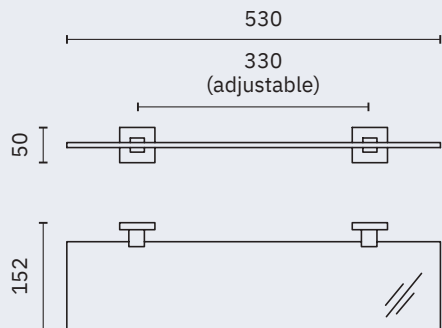


barcelona

- ✓ Collection of washroom accessories made of AISI 304 stainless steel
- ✓ Complements of blown glass
- ✓ Nuts and bolts of stainless steel
- ✓ Fixing screw to wall using mounting plate system

Material
AISI 304 stainless steel

Finish
Polished (.B)

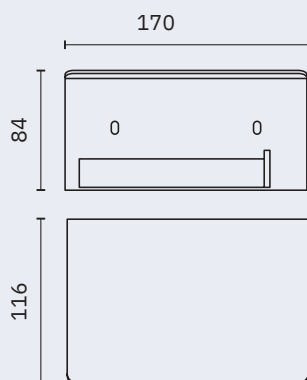


16910.B



OTHER COLOURS

Glass shelf
Dimensions
50 x 530 x 152 mm
2" x 1'-8 7/8" x 6"

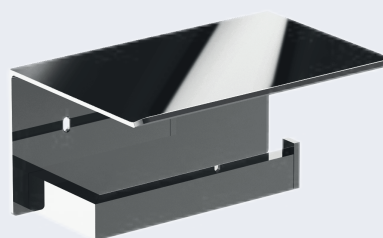


16878.B

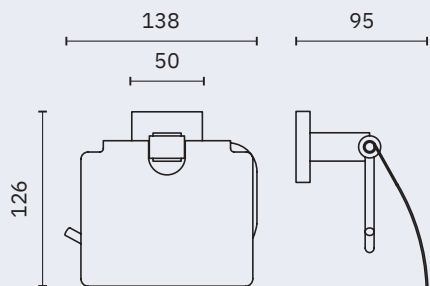


OTHER COLOURS

Toilet paper roll holder with shelf
Dimensions
84 x 170 x 116 mm
3 1/4" x 6 3/4" x 4 1/2"



NEW

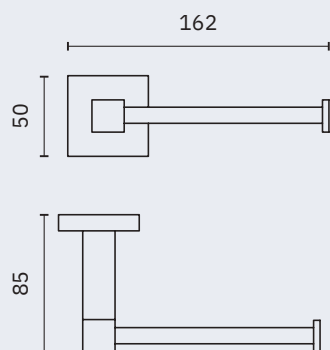


16917.B



OTHER COLOURS

Toilet paper roll holder
Dimensions
126 x 138 x 95 mm
5" x 5 3/8" x 3 3/4"

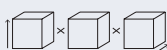


16900.B



OTHER COLOURS

Toilet paper roll holder
Dimensions
50 x 162 x 85 mm
2" x 6 3/8" x 3 3/8"



barcelona

- ✓ Collection of washroom accessories made of AISI 304 stainless steel
- ✓ Complements of blown glass
- ✓ Nuts and bolts of stainless steel
- ✓ Fixing screw to wall using mounting plate system

Material
AISI 304 stainless steel

Finish
Polished (.B)



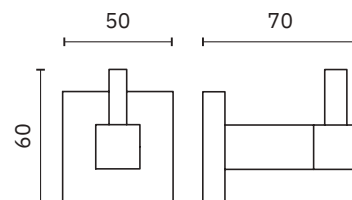
16906.B



OTHER COLOURS

Hook

Dimensions
60 x 50 x 70 mm. 2 3/8" x 2" x 2 3/4"



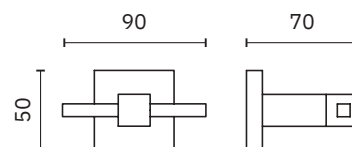
16907.B



OTHER COLOURS

Double hook

Dimensions
50 x 90 x 70 mm. 2" x 3 1/2" x 2 3/4"



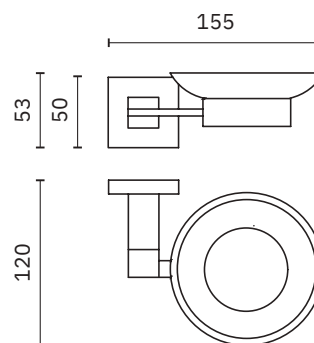
16911.B



OTHER COLOURS

Soap dish

Dimensions
53 x 155 x 120 mm. 2 1/8" x 6 1/8" x 4 7/8"



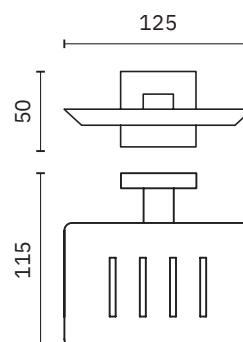
16912.B



OTHER COLOURS

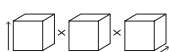
Soap dish

Dimensions
50 x 125 x 115 mm. 2" x 4 7/8" x 4 1/2"



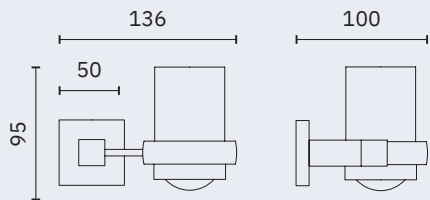
06045.FIX

Bathroom accessories fixing
adhesive. Adhesive tube 6 ml



barcelona

- ✓ Collection of washroom accessories made of AISI 304 stainless steel
 - ✓ Complements of blown glass
 - ✓ Nuts and bolts of stainless steel
 - ✓ Fixing screw to wall using mounting plate system
- Material
AISI 304 stainless steel
- Finish
Polished (.B)



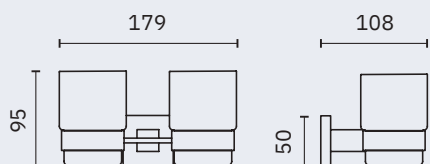
16913.B



OTHER COLOURS

Glass for toothbrush with wall support

Dimensions
95 x 136 x 100 mm
3 3/4" x 5 3/8" x 3 7/8"



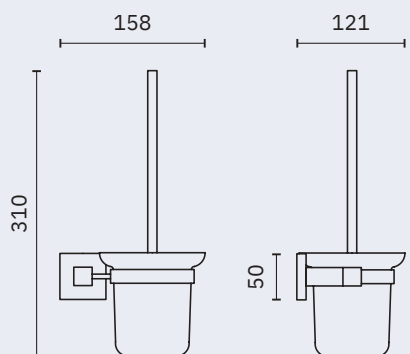
16914.B



OTHER COLOURS

Double glass for toothbrush with wall support

Dimensions
95 x 179 x 108 mm. 3 3/4" x 7" x 4 1/4"



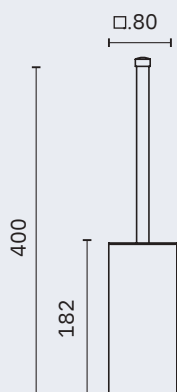
16915.B



OTHER COLOURS

Toilet brush

Dimensions
310 x 158 x 121 mm.
1'-01/4" x 6 1/4" x 4 3/4"



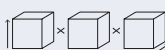
09075.B



OTHER COLOURS

Toilet brush holder with wall support

Dimensions
400 x 80 x 80 mm
1'-3 3/4" x 3 1/8" x 3 1/8"



niza satin

- ✓ Collection of washroom accessories made of AISI 304 stainless steel
- ✓ Complements of blown glass
- ✓ Nuts and bolts of stainless steel
- ✓ Fixing screw to wall using mounting plate system

Material
AISI 304 stainless steel

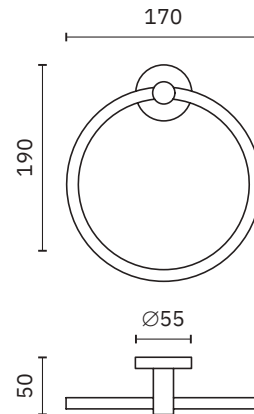
Finish
Satin (.S)



16860.S

Towel ring

Dimensions
190 x 170 x 50 mm
7 1/2" x 6 3/4" x 2"
Ø 10 mm tube



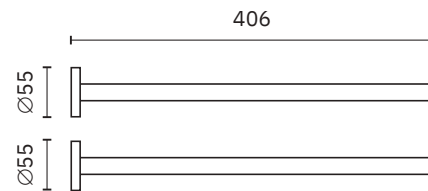
NEW



16874.S

Towel bar

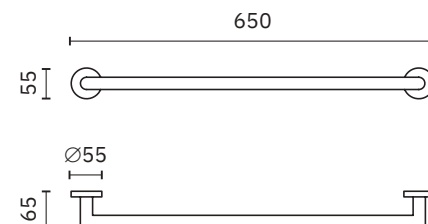
Dimensions
55 x 406 x 55 mm
2 1/8" x 1'-4" x 2 1/8"



16850.60.S

Towel rack

Dimensions
55 x 650 x 65 mm
2 1/8" x 2'-1 5/8" x 2 1/2"
Ø 20 mm tube



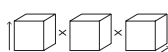
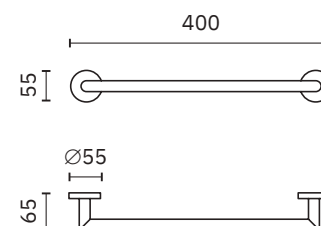
NEW



16850.40.S

Towel rack

Dimensions
55 x 400 x 65 mm
2 1/8" x 1'-3 3/4" x 2 1/2"
Ø 20 mm tube

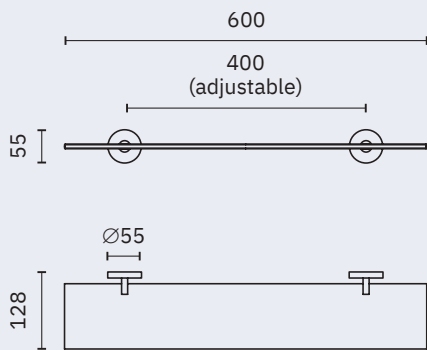


niza satin

- ✓ Collection of washroom accessories made of AISI 304 stainless steel
- ✓ Complements of blown glass
- ✓ Nuts and bolts of stainless steel
- ✓ Fixing screw to wall using mounting plate system

Material
AISI 304 stainless steel

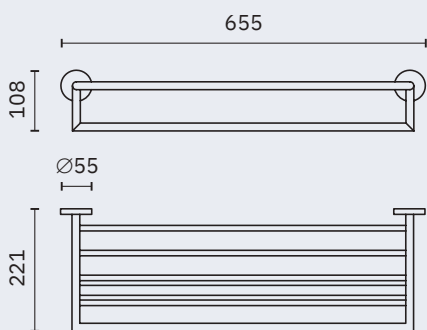
Finish
Satin (.S)



16856.S

Glass shelf

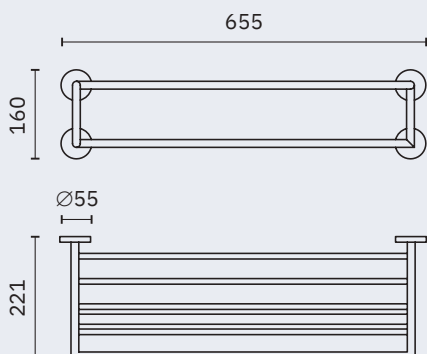
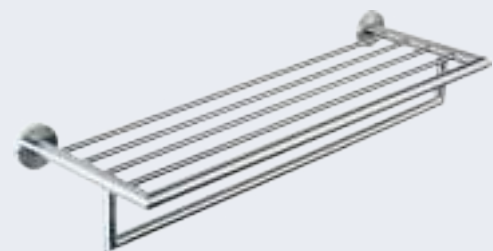
Dimensions
55 x 600 x 128 mm
2 1/8" x 1'-11 5/8" x 5"



16853.S

Towel rack shelf with bottom bar

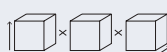
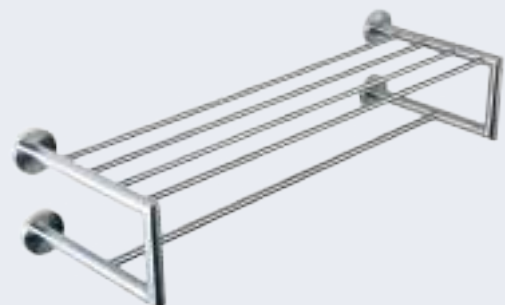
Dimensions
108 x 655 x 221 mm
4 1/4" x 2'-1 3/4" x 8 3/4"



16854.S

Towel rack shelf with bottom bar and four wall supports

Dimensions
160 x 655 x 221 mm
6 1/4" x 2'-1 3/4" x 8 3/4"



niza satin

- ✓ Collection of washroom accessories made of AISI 304 stainless steel
- ✓ Complements of blown glass
- ✓ Nuts and bolts of stainless steel
- ✓ Fixing screw to wall using mounting plate system

Material
AISI 304 stainless steel

Finish
Satin (.S)

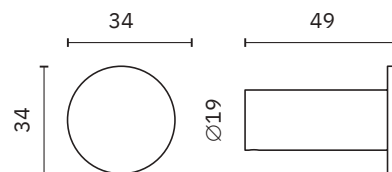
NEW



16873.S

Hook

Dimensions
34 x 34 x 49 mm
1 3/8" x 1 3/8" x 1 7/8"



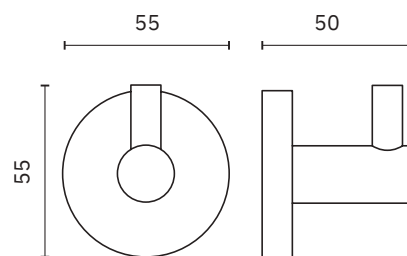
NEW



16849.S

Hook

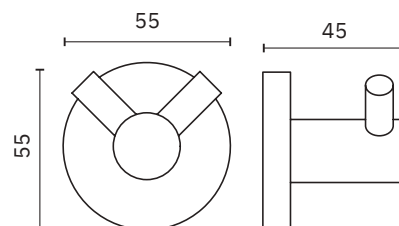
Dimensions
55 x 55 x 50 mm
2 1/8" x 2 1/8" x 2"



16852.S

Double hook

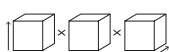
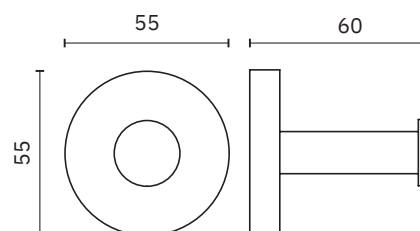
Dimensions
55 x 55 x 45 mm
2 1/8" x 2 1/8" x 1 3/4"



16851.S

Hook

Dimensions
55 x 55 x 60 mm
2 1/8" x 2 1/8" x 2 3/8"

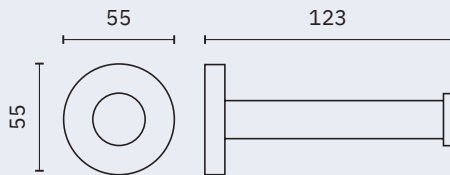


niza satin

- ✓ Collection of washroom accessories made of AISI 304 stainless steel
- ✓ Complements of blown glass
- ✓ Nuts and bolts of stainless steel
- ✓ Fixing screw to wall using mounting plate system

Material
AISI 304 stainless steel

Finish
Satin (.S)



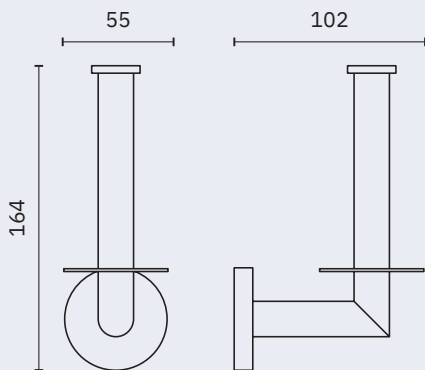
16862.S

Toilet paper roll holder

Dimensions
55 x 55 x 123 mm
2 1/8" x 2 1/8" x 4 3/8"



NEW



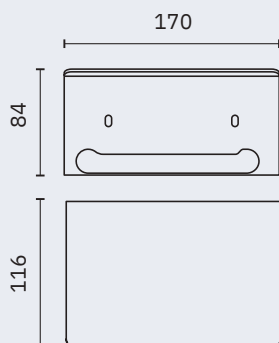
16869.S

Spare toilet paper roll holder

Dimensions
164 x 55 x 102 mm
6 1/2" x 2 1/8" x 4"



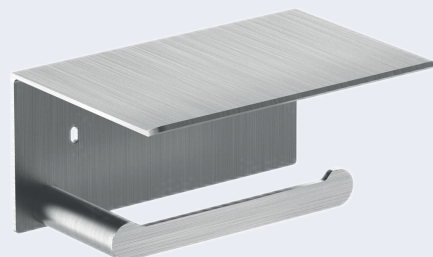
NEW



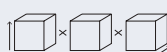
16876.S

Toilet paper roll holder
with shelf

Dimensions
84 x 170 x 116 mm
3 1/4" x 6 3/4" x 4 1/2"



NEW



niza satin

- ✓ Collection of washroom accessories made of AISI 304 stainless steel
- ✓ Complements of blown glass
- ✓ Nuts and bolts of stainless steel
- ✓ Fixing screw to wall using mounting plate system

Material
AISI 304 stainless steel

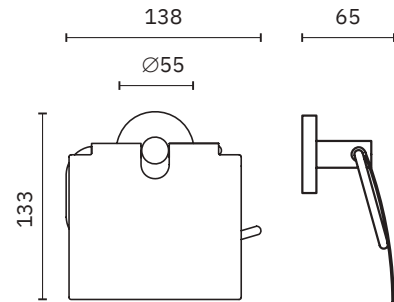
Finish
Satin (.S)



16858.S

Toilet paper roll holder

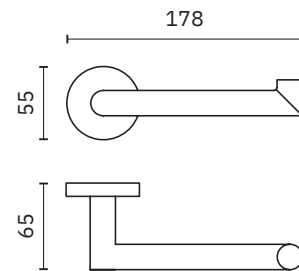
Dimensions
133 x 138 x 65 mm
5 1/4" x 5 3/8" x 2 5/8"



16859.S

Toilet paper roll holder

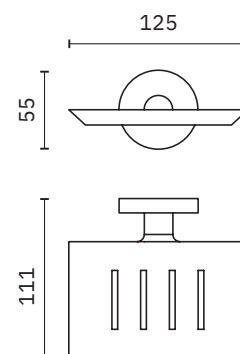
Dimensions
55 x 178 x 65 mm
2 1/8" x 7" x 2 1/2"



16855.S

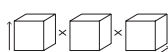
Soap dish

Dimensions
55 x 125 x 111 mm
2 1/8" x 4 7/8" x 4 3/8"



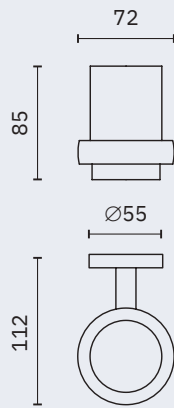
06045.FIX

Bathroom accessories fixing adhesive. Adhesive tube 6 ml



niza satin

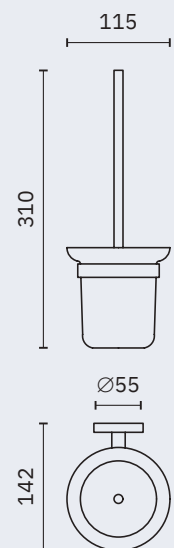
- ✓ Collection of washroom accessories made of AISI 304 stainless steel
 - ✓ Complements of blown glass
 - ✓ Nuts and bolts of stainless steel
 - ✓ Fixing screw to wall using mounting plate system
- Material
AISI 304 stainless steel
- Finish
Satin (.S)



16861.S

Glass for toothbrush with wall support

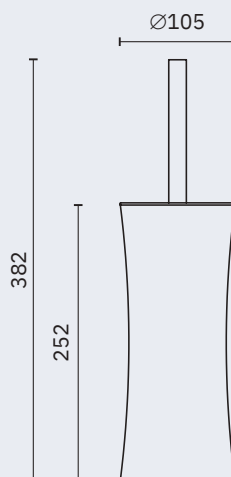
Dimensions
85 x 72 x 112 mm
3 3/8" x 2 7/8" x 4 3/8"



16857.S

Toilet brush

Dimensions
310 x 115 x 142 mm
1'-0 1/4" x 4 1/2" x 5 5/8"

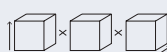


09078.S

Toilet brush holder

Material
Stainless steel

Dimensions
382 mm x Ø 105 mm
1'-3" x Ø 4 1/4"







niza polished

- ✓ Collection of washroom accessories made of AISI 304 stainless steel
- ✓ Complements of blown glass
- ✓ Nuts and bolts of stainless steel
- ✓ Fixing screw to wall using mounting plate system

Material
AISI 304 stainless steel

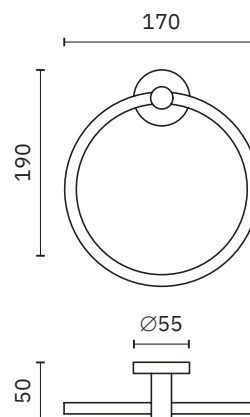
Finish
Polished (.B)



16860.B

Towel ring

Dimensions
190 x 170 x 50 mm
7 1/2" x 6 3/4" x 2"
Ø 10 mm tube



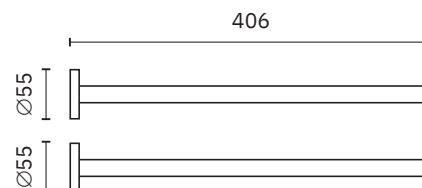
NEW



16874.B

Towel bar

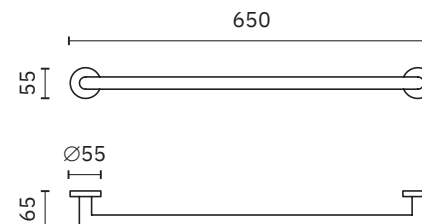
Dimensions
55 x 406 x 55 mm
2 1/8" x 1'-4" x 2 1/8"



16850.60.B

Towel rack

Dimensions
55 x 650 x 65 mm
2 1/8" x 2'-1 5/8" x 2 1/2"
Ø 20 mm tube



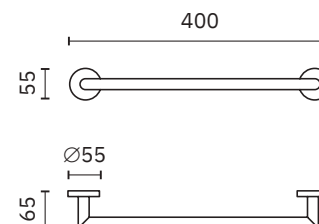
NEW



16850.40.B

Towel rack

Dimensions
55 x 400 x 65 mm
2 1/8" x 1'-3 3/4" x 2 1/2"
Ø 20 mm tube

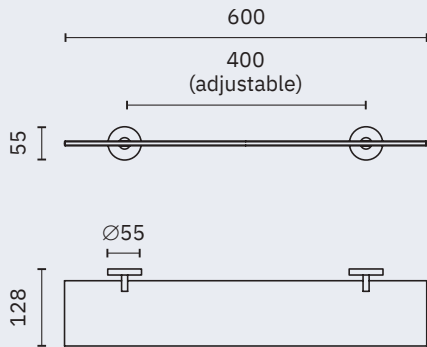


niza polished

- ✓ Collection of washroom accessories made of AISI 304 stainless steel
- ✓ Complements of blown glass
- ✓ Nuts and bolts of stainless steel
- ✓ Fixing screw to wall using mounting plate system

Material
AISI 304 stainless steel

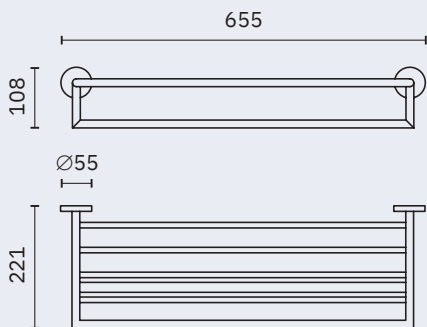
Finish
Polished (.B)



16856.B

Glass shelf

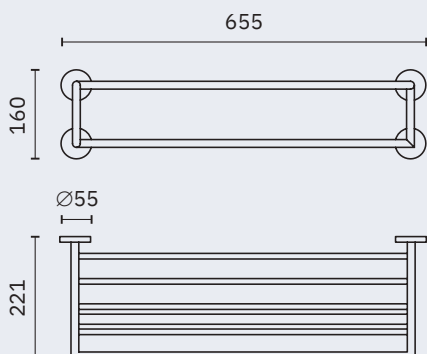
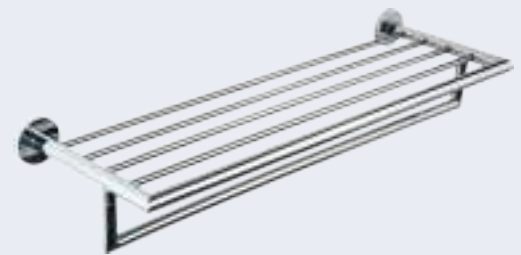
Dimensions
55 x 600 x 128 mm
2 1/8" x 1'-11 5/8" x 5"



16853.B

Towel rack shelf with bottom bar

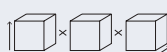
Dimensions
108 x 655 x 221 mm
4 1/4" x 2'-1 3/4" x 8 3/4"



16854.B

Towel rack shelf with bottom bar and four wall supports

Dimensions
160 x 655 x 221 mm
6 1/4" x 2'-1 3/4" x 8 3/4"



niza polished

- ✓ Collection of washroom accessories made of AISI 304 stainless steel
- ✓ Complements of blown glass
- ✓ Nuts and bolts of stainless steel
- ✓ Fixing screw to wall using mounting plate system

Material
AISI 304 stainless steel

Finish
Polished (.B)

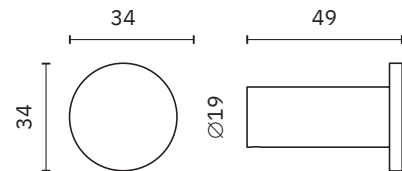
NEW



16873.B

Hook

Dimensions
34 x 34 x 49 mm
1 3/8" x 1 3/8" x 1 7/8"



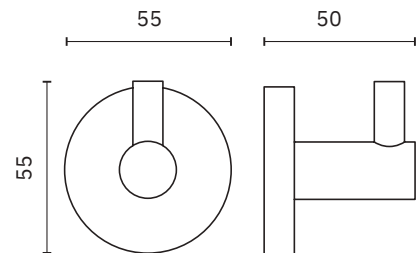
NEW



16849.B

Hook

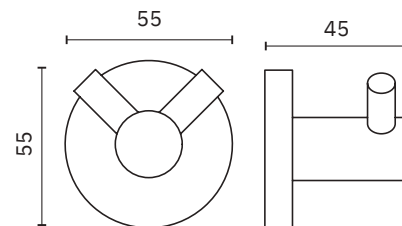
Dimensions
55 x 55 x 50 mm
2 1/8" x 2 1/8" x 2"



16852.B

Double hook

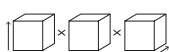
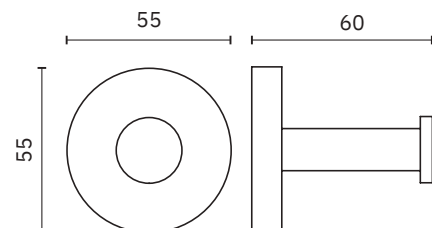
Dimensions
55 x 55 x 45 mm
2 1/8" x 2 1/8" x 1 3/4"



16851.B

Hook

Dimensions
55 x 55 x 60 mm
2 1/8" x 2 1/8" x 2 3/8"

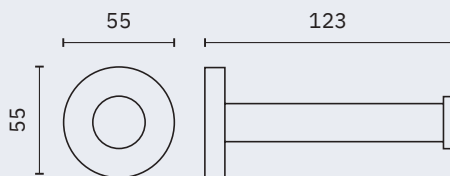


niza polished

- ✓ Collection of washroom accessories made of AISI 304 stainless steel
- ✓ Complements of blown glass
- ✓ Nuts and bolts of stainless steel
- ✓ Fixing screw to wall using mounting plate system

Material
AISI 304 stainless steel

Finish
Polished (.B)



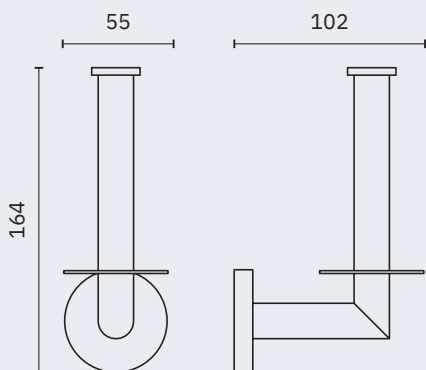
16862.B

Toilet paper roll holder

Dimensions
55 x 55 x 123 mm
2 1/8" x 2 1/8" x 4 3/8"



NEW



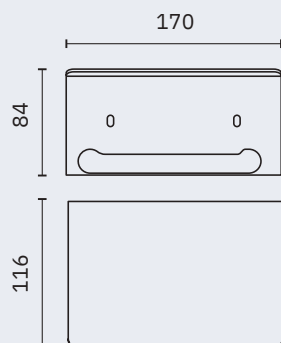
16869.B

Spare toilet paper roll holder

Dimensions
164 x 55 x 102 mm
6 1/2" x 2 1/8" x 4"



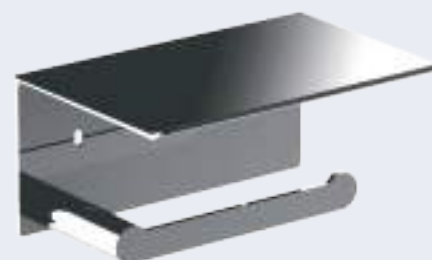
NEW



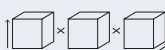
16876.B

Toilet paper roll holder with shelf

Dimensions
84 x 170 x 116 mm
3 1/4" x 6 3/4" x 4 1/2"



NEW



niza polished

- ✓ Collection of washroom accessories made of AISI 304 stainless steel
- ✓ Complements of blown glass
- ✓ Nuts and bolts of stainless steel
- ✓ Fixing screw to wall using mounting plate system

Material
AISI 304 stainless steel

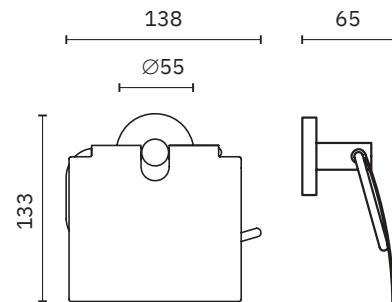
Finish
Polished (.B)



16858.B

Toilet paper roll holder

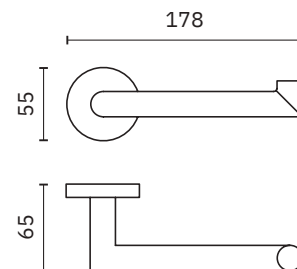
Dimensions
133 x 138 x 65 mm
5 1/4" x 5 3/8" x 2 5/8"



16859.B

Toilet paper roll holder

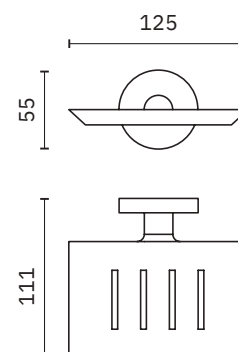
Dimensions
55 x 178 x 65 mm
2 1/8" x 7" x 2 1/2"



16855.B

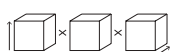
Soap dish

Dimensions
55 x 125 x 111 mm
2 1/8" x 4 7/8" x 4 3/8"



06045.FIX

Bathroom accessories fixing adhesive. Adhesive tube 6 ml

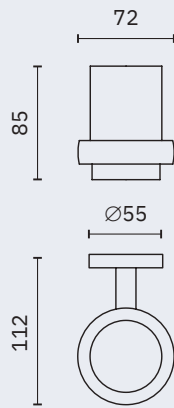


niza polished

- ✓ Collection of washroom accessories made of AISI 304 stainless steel
- ✓ Complements of blown glass
- ✓ Nuts and bolts of stainless steel
- ✓ Fixing screw to wall using mounting plate system

Material
AISI 304 stainless steel

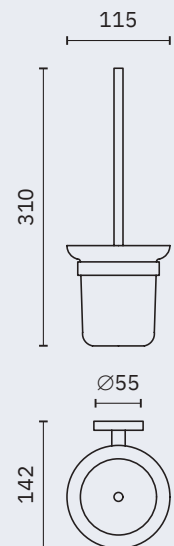
Finish
Polished (.B)



16861.B

Glass for toothbrush with wall support

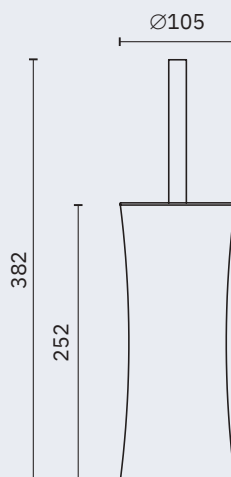
Dimensions
85 x 72 x 112 mm
3 3/8" x 2 7/8" x 4 3/8"



16857.B

Toilet brush

Dimensions
310 x 115 x 142 mm
1'-0 1/4" x 4 1/2" x 5 5/8"



09078.B

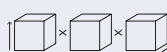
Toilet brush holder

Material
Stainless steel

Dimensions
382 mm x Ø 105 mm
1'-3" x Ø 4 1/4"



NEW







niza black

- ✓ Collection of washroom accessories made of AISI 304 stainless steel
- ✓ Complements of blown glass
- ✓ Nuts and bolts of stainless steel
- ✓ Fixing screw to wall using mounting plate system

Material
AISI 304 stainless steel

Finish
Black (.N)



16860.N

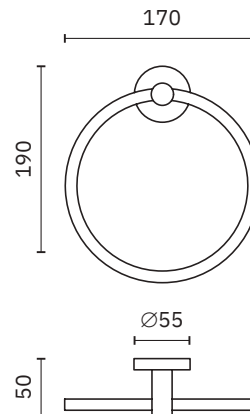


OTHER COLOURS

Towel ring

Dimensions
190 x 170 x 50 mm
7 1/2" x 6 3/4" x 2"

Ø 10 mm tube



NEW



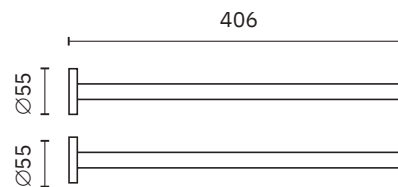
16874.N



OTHER COLOURS

Towel bar

Dimensions
55 x 406 x 55 mm
2 1/8" x 1'-4" x 2 1/8"



16850.60.N

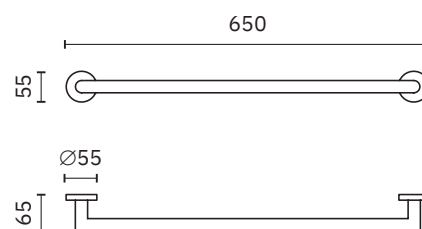


OTHER COLOURS

Towel rack

Dimensions
55 x 650 x 65 mm
2 1/8" x 2'-1 5/8" x 2 1/2"

Ø 20 mm tube



NEW



16850.40.N

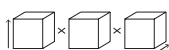
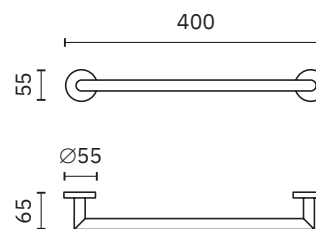


OTHER COLOURS

Towel rack

Dimensions
55 x 400 x 65 mm
2 1/8" x 1'-3 3/4" x 2 1/2"

Ø 20 mm tube

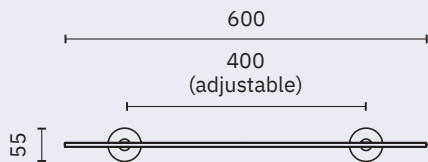


niza black

- ✓ Collection of washroom accessories made of AISI 304 stainless steel
- ✓ Complements of blown glass
- ✓ Nuts and bolts of stainless steel
- ✓ Fixing screw to wall using mounting plate system

Material
AISI 304 stainless steel

Finish
Black (.N)



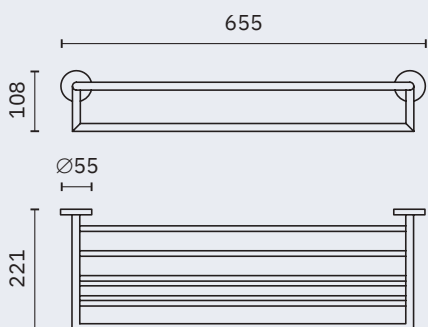
16856.N



OTHER COLOURS

Glass shelf

Dimensions
55 x 600 x 128 mm
2 1/8" x 1'-11 5/8" x 5"



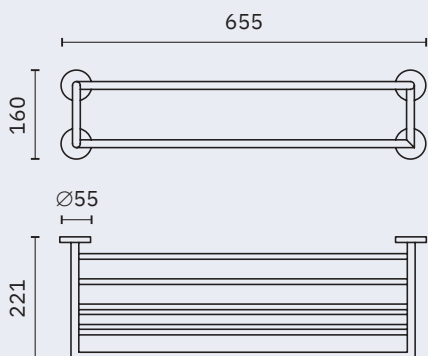
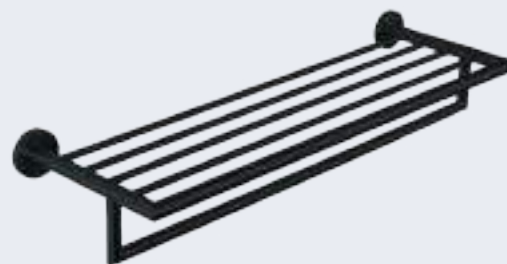
16853.N



OTHER COLOURS

Towel rack shelf
with bottom bar

Dimensions
108 x 655 x 221 mm
4 1/4" x 2'-1 3/4" x 8 3/4"



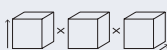
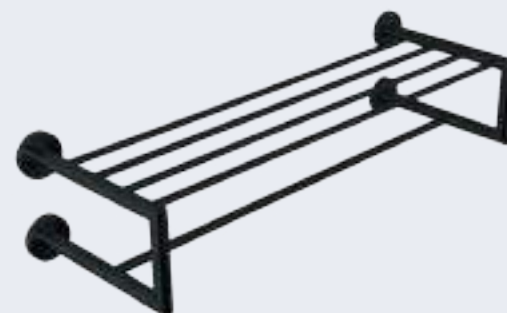
16854.N



OTHER COLOURS

Towel rack shelf with bottom
bar and four wall supports

Dimensions
160 x 655 x 221 mm
6 1/4" x 2'-1 3/4" x 8 3/4"



niza black

- ✓ Collection of washroom accessories made of AISI 304 stainless steel
- ✓ Complements of blown glass
- ✓ Nuts and bolts of stainless steel
- ✓ Fixing screw to wall using mounting plate system

Material
AISI 304 stainless steel

Finish
Black (.N)

NEW



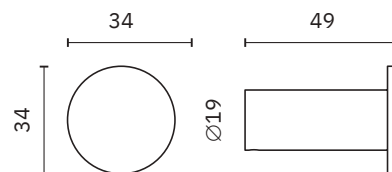
16873.N



OTHER COLOURS

Hook

Dimensions
34 x 34 x 49 mm
1 3/8" x 1 3/8" x 1 7/8"



NEW



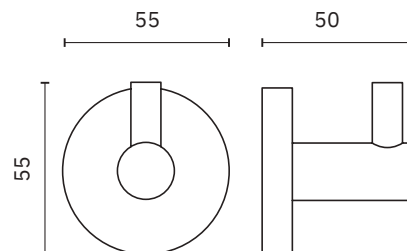
16849.N



OTHER COLOURS

Hook

Dimensions
55 x 55 x 50 mm
2 1/8" x 2 1/8" x 2"



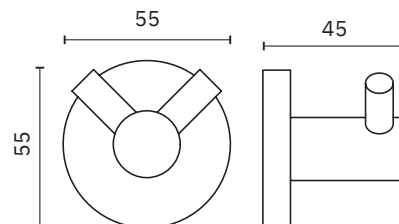
16852.N



OTHER COLOURS

Double hook

Dimensions
55 x 55 x 45 mm
2 1/8" x 2 1/8" x 1 3/4"



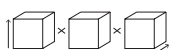
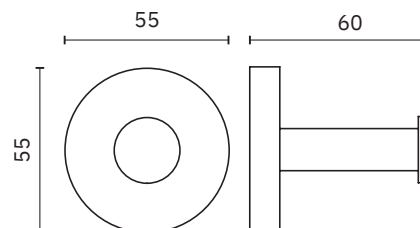
16851.N



OTHER COLOURS

Hook

Dimensions
55 x 55 x 60 mm
2 1/8" x 2 1/8" x 2 3/8"



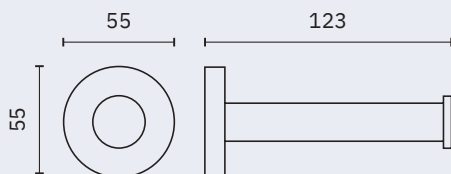
niza black

- ✓ Collection of washroom accessories made of AISI 304 stainless steel
- ✓ Complements of blown glass
- ✓ Nuts and bolts of stainless steel
- ✓ Fixing screw to wall using mounting plate system

Material
AISI 304 stainless steel

Finish
Black (.N)

16862.N



OTHER COLOURS

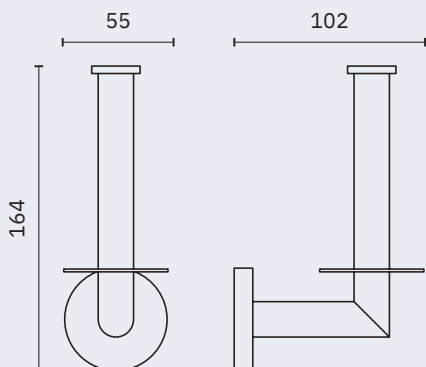


NEW

Toilet paper roll holder

Dimensions
55 x 55 x 123 mm
2 1/8" x 2 1/8" x 4 3/8"

16869.N



OTHER COLOURS

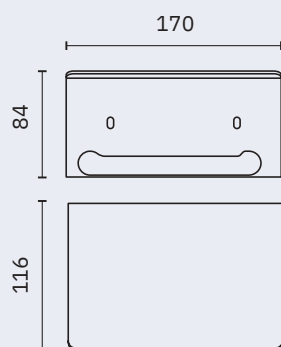


NEW

Spare toilet paper roll holder

Dimensions
164 x 55 x 102 mm
6 1/2" x 2 1/8" x 4"

16876.N



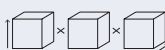
OTHER COLOURS



NEW

Toilet paper roll holder with shelf

Dimensions
84 x 170 x 116 mm
3 1/4" x 6 3/4" x 4 1/2"



niza black

- ✓ Collection of washroom accessories made of AISI 304 stainless steel
- ✓ Complements of blown glass
- ✓ Nuts and bolts of stainless steel
- ✓ Fixing screw to wall using mounting plate system

Material
AISI 304 stainless steel

Finish
Black (.N)



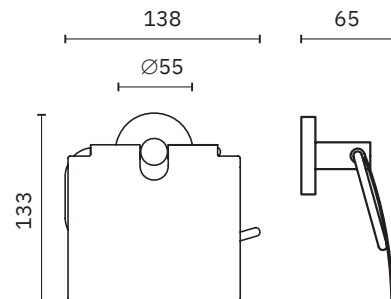
16858.N



OTHER COLOURS

Toilet paper roll holder

Dimensions
133 x 138 x 65 mm
5 1/4" x 5 3/8" x 2 5/8"



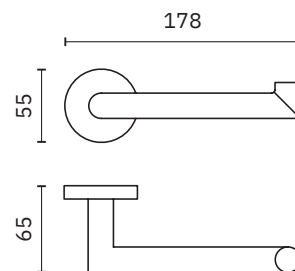
16859.N



OTHER COLOURS

Toilet paper roll holder

Dimensions
55 x 178 x 65 mm
2 1/8" x 7" x 2 1/2"



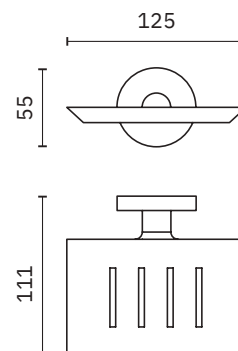
16855.N



OTHER COLOURS

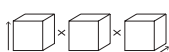
Soap dish

Dimensions
55 x 125 x 111 mm
2 1/8" x 4 7/8" x 4 3/8"



06045.FIX

Bathroom accessories fixing adhesive. Adhesive tube 6 ml

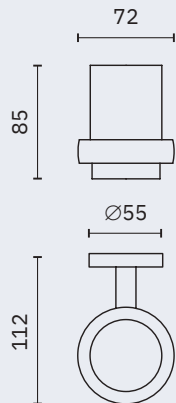


niza black

- ✓ Collection of washroom accessories made of AISI 304 stainless steel
- ✓ Complements of blown glass
- ✓ Nuts and bolts of stainless steel
- ✓ Fixing screw to wall using mounting plate system

Material
AISI 304 stainless steel

Finish
Black (.N)



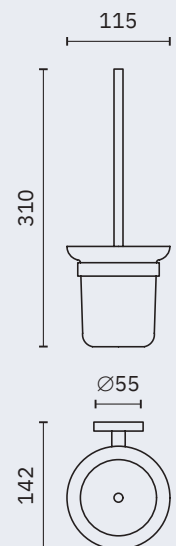
16861.N



OTHER COLOURS

Glass for toothbrush with wall support

Dimensions
85 x 72 x 112 mm
3 3/8" x 2 7/8" x 4 3/8"



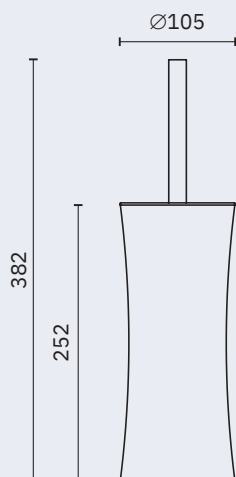
16857.N



OTHER COLOURS

Toilet brush

Dimensions
310 x 115 x 142 mm
1'-0 1/4" x 4 1/2" x 5 5/8"



09078.N



OTHER COLOURS

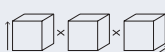
Toilet brush holder

Material
Stainless steel

Dimensions
382 mm x Ø 105 mm
1'-3" x Ø 4 1/4"



NEW



classic

- ✓ Collection of washroom accessories made of AISI 304 stainless steel
- ✓ Complements of blown glass
- ✓ Nuts and bolts of stainless steel
- ✓ Fixing screw to wall using mounting plate system

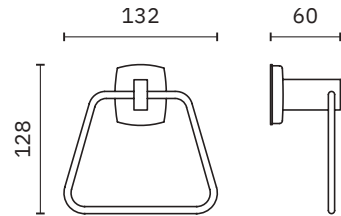
Material
AISI 304 stainless steel

Finish
Satin (.S) Polished (.B)



09047.S 09047.B

Towel ring
Dimensions
128 x 132 x 60 mm
5" x 5 1/4" x 2 3/8"
Ø 6 mm tube

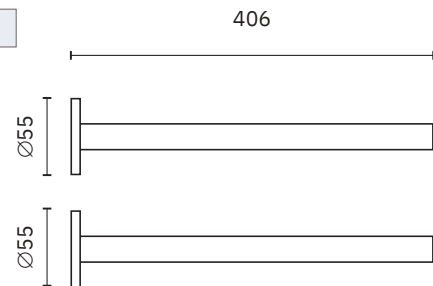


NEW



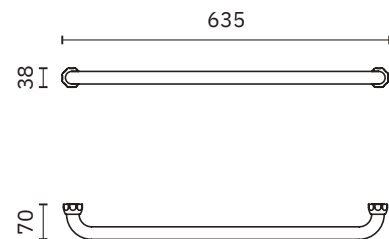
16874.S 16874.B

Towel bar
Dimensions
55 x 406 x 55 mm
2 1/8" x 1'-4" x 2 1/8"



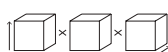
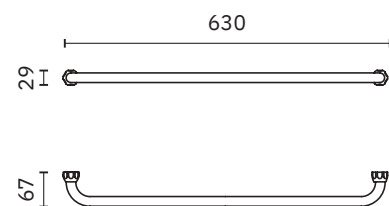
09026.B

Towel rack
Dimensions
38 x 635 x 70 mm
2 3/4" x 2'-1" x 2 3/4"
Ø 25 mm tube



09025.B

Towel rack
Dimensions
29 x 630 x 67 mm
1 1/8" x 2'-0 3/42" x 2 5/8"
Ø 20 mm tube

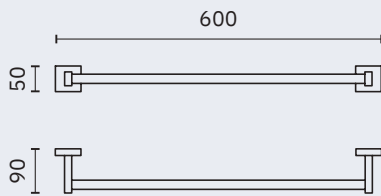


classic

- ✓ Collection of washroom accessories made of AISI 304 stainless steel
- ✓ Complements of blown glass
- ✓ Nuts and bolts of stainless steel
- ✓ Fixing screw to wall using mounting plate system

Material
AISI 304 stainless steel

Finish
Satin (.S) Polished (.B)

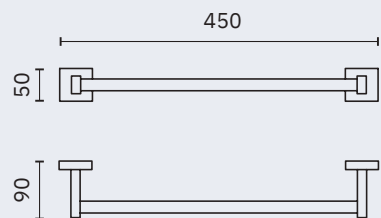


09028.S

09028.B

Towel rack

Dimensions
50 x 600 x 90 mm
2" x 1'-11 5/8" x 3 1/2"

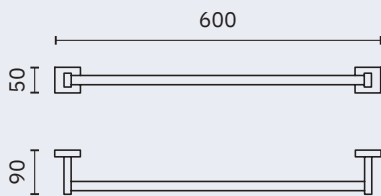


09027.S

09027.B

Towel rack

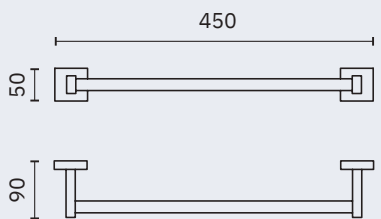
Dimensions
50 x 450 x 90 mm
2" x 1'-5 3/4" x 3 1/2"



09031.S

Towel rack

Dimensions
50 x 600 x 90 mm
2" x 1'-11 5/8" x 3 1/2"

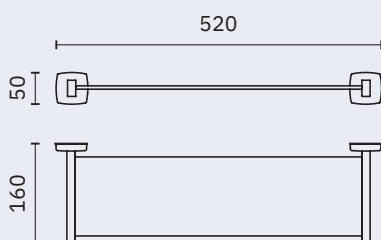


09030.S

09030.B

Towel rack

Dimensions
50 x 450 x 90 mm
2" x 1'-5 3/4" x 3 1/2"

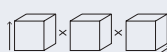


09048.S

09048.B

Utility shelf

Dimensions
50 x 520 x 160 mm
2" x 1' 8 1/2" x 6 1/4"



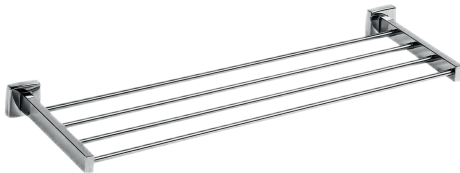
classic

- ✓ Collection of washroom accessories made of AISI 304 stainless steel
- ✓ Complements of blown glass
- ✓ Nuts and bolts of stainless steel
- ✓ Fixing screw to wall using mounting plate system

Material
AISI 304 stainless steel

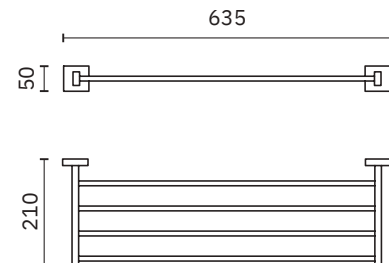
Finish
Satin (.S) Polished (.B)

09034.B

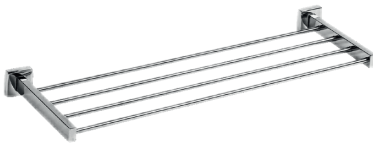


Towel shelf

Dimensions
50 x 650 x 210 mm
2" x 2'-1 5/8" x 8 1/4"
Ø 18 mm tube

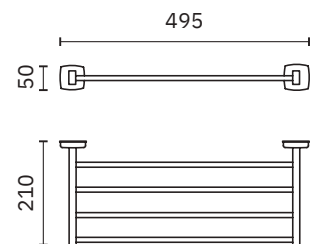


09033.B



Towel shelf

Dimensions
50 x 495 x 210 mm
2" x 1'-7 1/2" x 8 1/4"
Ø 18 mm tube



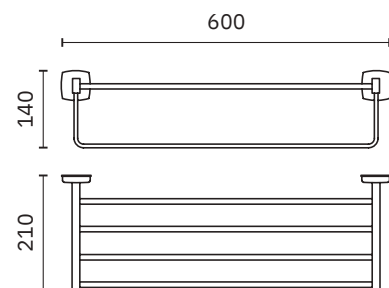
09036.S

09036.B



Towel rack shelf with bottom bar

Dimensions
140 x 600 x 210 mm
5 1/2" x 1'-11 5/8" x 8 1/4"



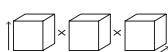
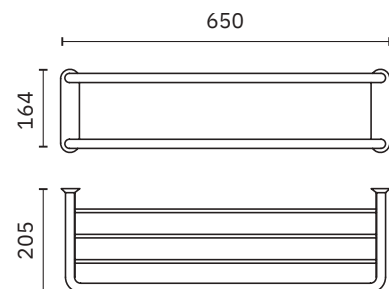
09023.S

09023.B



Towel rack shelf with bottom bar with four wall supports

Dimensions
164 x 650 x 205 mm
6 1/2" x 2'-1 5/8" x 8 1/8"

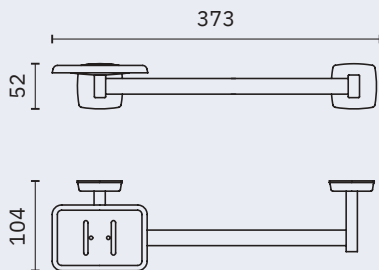


classic

- ✓ Collection of washroom accessories made of AISI 304 stainless steel
- ✓ Complements of blown glass
- ✓ Nuts and bolts of stainless steel
- ✓ Fixing screw to wall using mounting plate system

Material
AISI 304 stainless steel

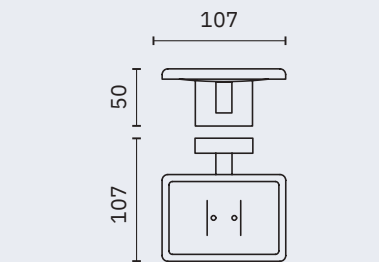
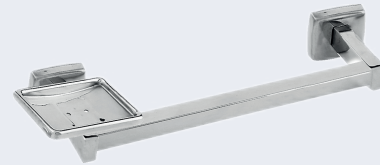
Finish
Satin (.S) Polished (.B)



09045.B

Towel bar with soap dish

Dimensions
52 x 373 x 104 mm
2" x 1'-2 5/8" x 4 1/8"

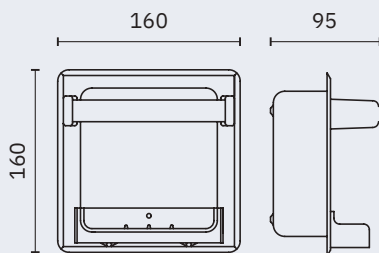


09044.S

09044.B

Soap dish

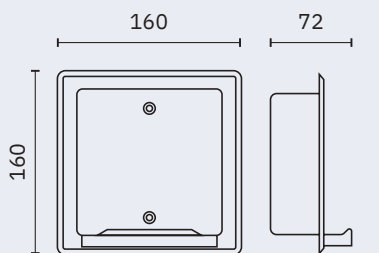
Dimensions
50 x 107 x 107 mm
2" x 4 1/4" x 4 1/4"



09037.B

Soap dish

Dimensions
160 x 160 x 95 mm
6 1/4" x 6 1/4" x 3 3/4"



09038.B

Soap dish

Dimensions
160 x 160 x 72 mm
6 1/4" x 6 1/4" x 2 7/8"



classic

- ✓ Collection of washroom accessories made of AISI 304 stainless steel
- ✓ Complements of blown glass
- ✓ Nuts and bolts of stainless steel
- ✓ Fixing screw to wall using mounting plate system

Material
AISI 304 stainless steel

Finish
Satin (.S) Polished (.B)

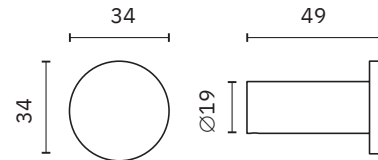
NEW



16873.S 16873.B

Hook

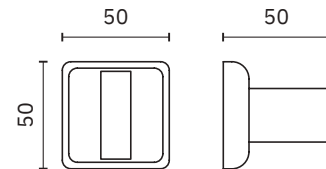
Dimensions
34 x 34 x 49 mm
1 3/8" x 1 3/8" x 1 7/8"



09016.S 09016.B

Hook

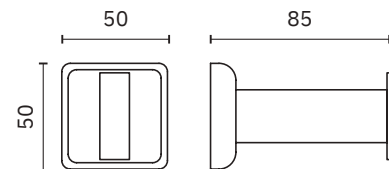
Dimensions
50 x 50 x 50 mm
2" x 2" x 2"



09016.85.S 09016.85.B

Hook

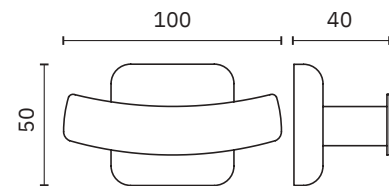
Dimensions
50 x 50 x 85 mm
2" x 2" x 3 3/8"



09017.S 09017.B

Hook

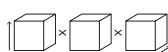
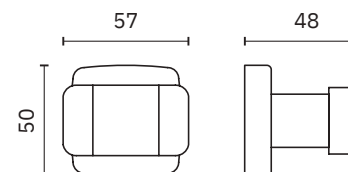
Dimensions
50 x 100 x 40 mm
2" x 3 7/8" x 1 1/2"



09018.S 09018.B

Hook

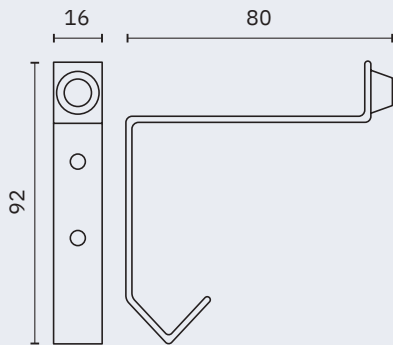
Dimensions
50 x 57 x 48 mm
2" x 2 1/4" x 1 7/8"



classic

- ✓ Collection of washroom accessories made of AISI 304 stainless steel
- ✓ Complements of blown glass
- ✓ Nuts and bolts of stainless steel
- ✓ Fixing screw to wall using mounting plate system

Finish
Satin (.S) Polished (.B)



09010.S

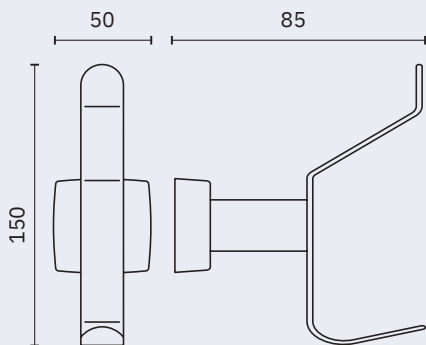
Hook with rubber stop

Material
AISI 304 stainless steel

Dimensions
92 x 16 x 80 mm
3 5/8" x 0 5/8" x 3 1/8"



NEW



09011.S

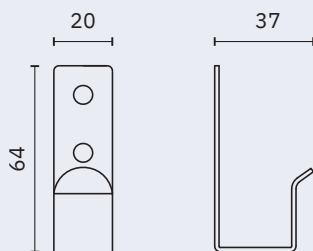
Double hook

Material
Stainless steel

Dimensions
150 x 50 x 85 mm
5 7/8" x 2" x 3 3/8"



NEW

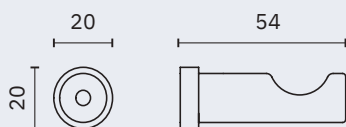


09015.S

Hook

Material
AISI 304 stainless steel

Dimensions
64 x 20 x 37 mm
2 1/2" x 3/4" x 1 1/2"



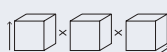
09019.S

09019.B

Hook

Material
AISI 304 stainless steel

Dimensions
Ø 20 mm x 64 mm. Ø 3/4" x 2 1/2"



classic

- ✓ Nuts and bolts of stainless steel
- ✓ Fixing screw to wall using mounting plate system

Finish
Satin (.S) Polished (.B) White (.W)

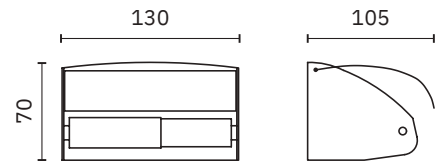


05013.S 05013.B

Toilet paper roll holder

Material
AISI 304 stainless steel

Dimensions
70 x 130 x 105 mm. 2 3/4" x 5 1/8" x 4 1/8"

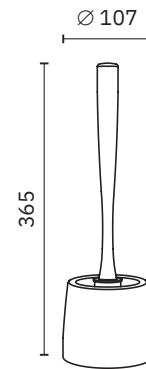


09107.W

Toilet brush

Material
White ABS

Dimensions
365 x 107 x 107 mm
14 3/8" x 4 1/4" x 4 1/4"



NEW

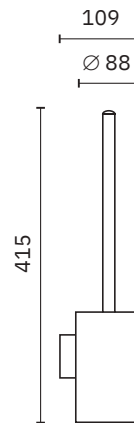


09079.S

Toilet brush holder with wall support

Material
Stainless steel

Dimensions
415 x 88 x 109 mm
1'-4 3/8" x 3 1/2" x 4 1/4"

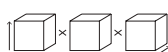
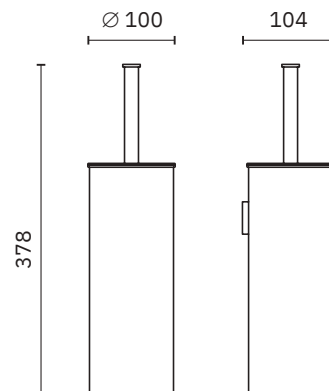


09059.S 09059.B

Toilet brush holder with wall support

Material
Stainless steel

Dimensions
378 x 100 x 104 mm
1'-2 7/8" x 3 7/8" x 4 1/8"

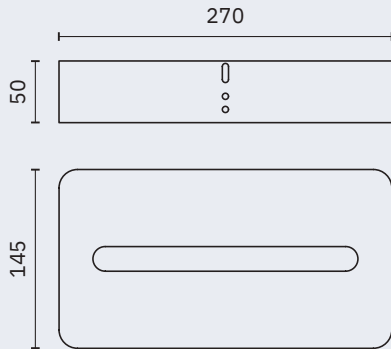


classic

- ✓ Nuts and bolts of stainless steel
- ✓ Fixing screw to wall using mounting plate system

Finish

Satin (.S) Polished (.B)

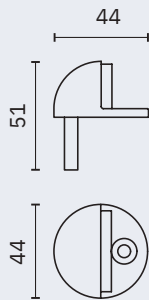


04024.B

Paper tissues dispenser on surface

Material
Chromed steel

Dimensions
50 x 270 x 145 mm
2" x 10 5/8" x 5 3/4"



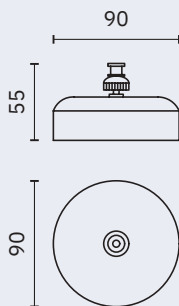
16051.S

16051.B

Door stop

Material
AISI 304 stainless steel

Dimensions
51 x 44 x 44 mm
2" x 1 3/4" x 1 3/4"

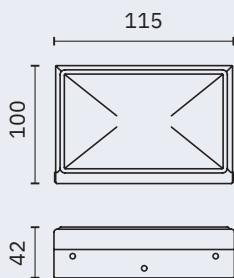


09058.B

Retractable clothesline (2m)

Material
AISI 304 stainless steel

Dimensions
55 x 90 x 90 mm. 2 1/8" x 3 1/2" x 3 1/2"



14160.B

Wall ashtray with pivoting tray for easy emptying

Material
AISI 304 stainless steel

Dimensions
100 x 115 x 42 mm
3 7/8" x 4 1/2" x 1 5/8"







creta polished



- ✓ Collection of washroom accessories made of chromed brass
- ✓ Complements of blown glass
- ✓ Nuts and bolts of stainless steel
- ✓ Fixing screw to wall using mounting plate system

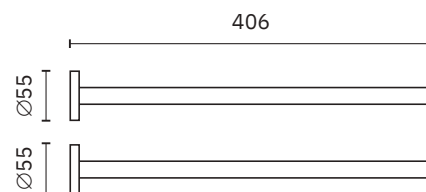
Material
Chromed brass

Finish
Polished (.B)



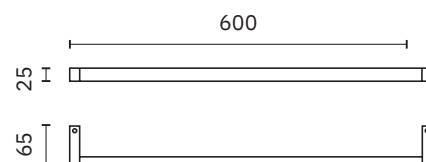
16874.B

Towel bar
Material
AISI 304 stainless steel
Dimensions
55 x 406 x 55 mm
2 1/8" x 1'-4" x 2 1/8"



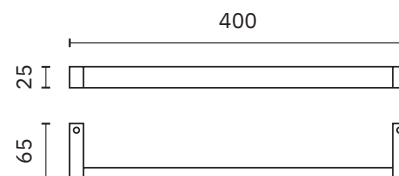
16390.60.B

Towel rack
Dimensions
25 x 600 x 65 mm
1" x 1'-11 5/8" x 2 1/2"



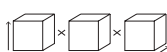
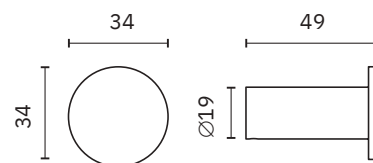
16390.40.B

Towel rack
Dimensions
25 x 400 x 65 mm
1" x 1'-3 3/4" x 2 1/2"



16873.B

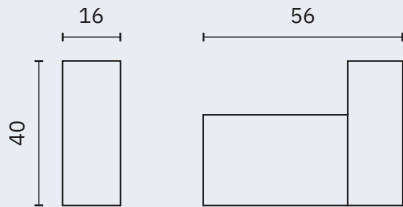
Hook
Material
AISI 304 stainless steel
Dimensions
34 x 34 x 49 mm
1 3/8" x 1 3/8" x 1 7/8"



creta polished

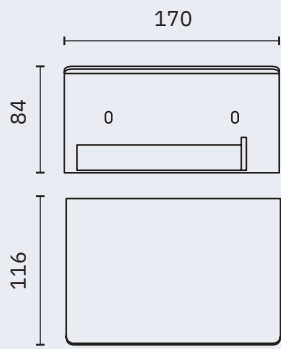


- ✓ Collection of washroom accessories made of chromed brass
 - ✓ Complements of blown glass
 - ✓ Nuts and bolts of stainless steel
 - ✓ Fixing screw to wall using mounting plate system
- Material
Chromed brass
- Finish
Polished (.B)



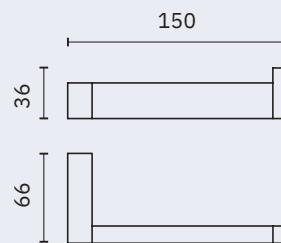
16391.B

Hook
Dimensions
40 x 16 x 56 mm
1 5/8" x 0 5/8" x 2 1/8"



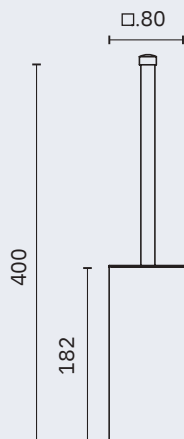
16878.B

Toilet paper roll holder
with shelf
Material
AISI 304 stainless steel
Dimensions
84 x 170 x 116 mm
3 1/4" x 6 3/4" x 4 1/2"



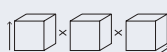
16395.B

Toilet paper roll holder
Dimensions
36 x 150 x 66 mm
1 3/8" x 5 7/8" x 2 5/8"



09075.B

Toilet brush holder with wall
support
Material
AISI 304 stainless steel
Dimensions
400 x 80 x 80 mm
1'-3 3/4" x 3 1/8" x 3 1/8"







santorini

- ✓ Collection of washroom accessories made of chromed brass
- ✓ Complements of blown glass
- ✓ Nuts and bolts of stainless steel
- ✓ Fixing screw to wall using mounting plate system

Material
Chromed brass

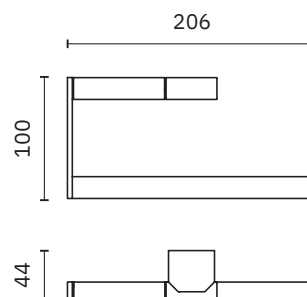
Finish
Polished (.B)



16341.B

Towel ring

Dimensions
100 x 206 x 44 mm
3 7/8" x 8 1/8" x 1 3/4"
Ø 18 mm

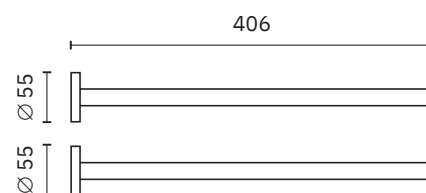


16874.B

Towel bar

Material
AISI 304 stainless steel

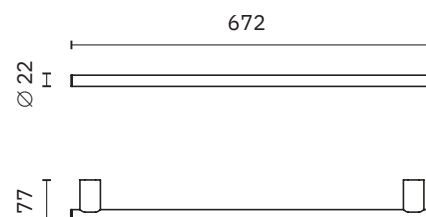
Dimensions
55 x 406 x 55 mm
2 1/8" x 1'-4" x 2 1/8"



16330.60.B

Towel rack

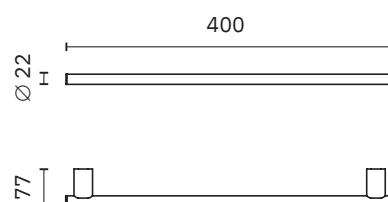
Dimensions
22 x 672 x 77 mm
7/8" x 2'-2 1/2" x 3"
Ø 22 mm



16330.40.B

Towel rack

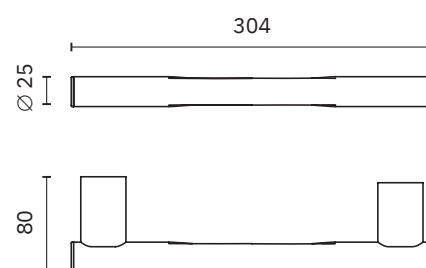
Dimensions
22 x 400 x 77 mm
7/8" x 15 3/4" x 3"
Ø 22 mm



16331.B

Handle with non-slip grip.
Ergonomic, suitable as a technical aid

Dimensions
25 x 304 x 80 mm
1" x 1' x 3 1/8"
Ø 25 mm

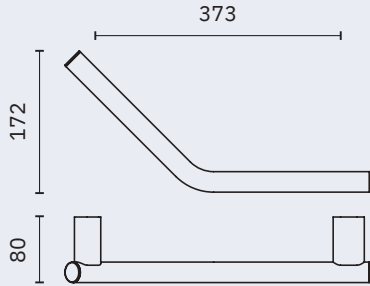


santorini

- ✓ Collection of washroom accessories made of chromed brass
- ✓ Complements of blown glass
- ✓ Nuts and bolts of stainless steel
- ✓ Fixing screw to wall using mounting plate system

Material
Chromed brass

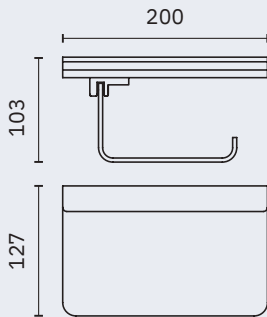
Finish
Polished (.B)



16332.B

Angular handle. Ergonomic, suitable as a grab rail

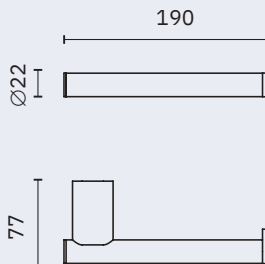
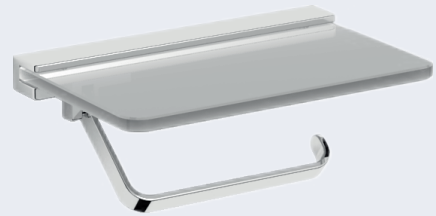
Dimensions
172 x 373 x 80 mm
6 3/4" x 1'-2 3/4" x 3 1/8"
Ø 25 mm



16335.B

Toilet paper roll holder with top shelf feature

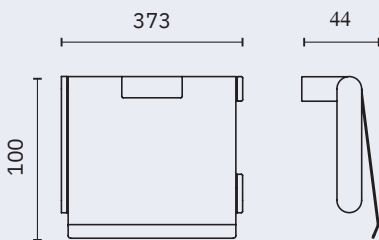
Dimensions
103 x 200 x 127 mm
4" x 7 7/8" x 5"



16334.B

Spare toilet paper roll holder

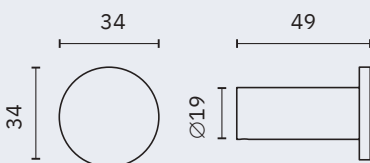
Dimensions
22 x 190 x 77 mm
7/8" x 7 1/2" x 3"



16333.B

Toilet paper roll holder

Dimensions
100 x 133 x 44 mm
3 7/8" x 5 1/4" x 1 3/4"



16873.B

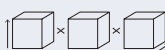
Hook

Material
AISI 304 stainless steel

Dimensions
34 x 34 x 49 mm
1 3/8" x 1 3/8" x 1 7/8"



NEW

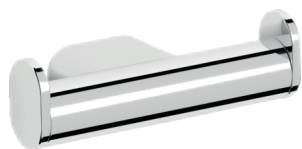


santorini

- ✓ Collection of washroom accessories made of chromed brass
- ✓ Complements of blown glass
- ✓ Nuts and bolts of stainless steel
- ✓ Fixing screw to wall using mounting plate system

Material
Chromed brass

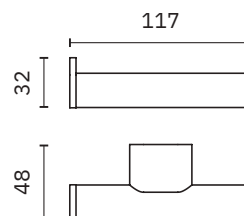
Finish
Polished (.B)



16343.B

Double hook

Dimensions
32 x 117 x 48 mm
1 1/4" x 4 5/8" x 1 7/8"

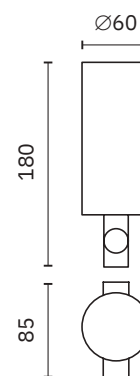


03046.B

Liquid soap dispenser

Dimensions
180 x 60 x 85 mm
7 1/8" x 2 3/8" x 3 3/8"

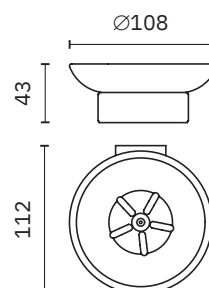
Capacity
300 ml



16340.B

Soap dish

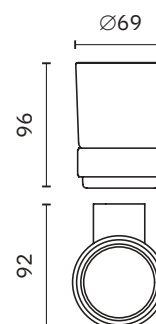
Dimensions
43 x 108 x 112 mm
1 5/8" x 4 1/4" x 4 3/8"



16339.B

Glass for toothbrush with wall support

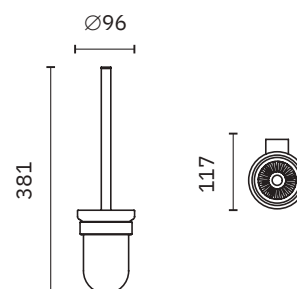
Dimensions
96 x 69 x 92 mm
3 3/4" x 2 3/4" x 3 5/8"



16342.B

Toilet brush holder with wall support

Dimensions
381 x 96 x 117 mm
1'-3" x 3 3/4" x 4 5/8"

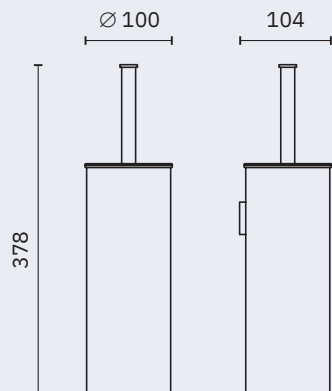


santorini

- ✓ Collection of washroom accessories made of chromed brass
- ✓ Complements of blown glass
- ✓ Nuts and bolts of stainless steel
- ✓ Fixing screw to wall using mounting plate system

Material
Chromed brass

Finish
Polished (.B)

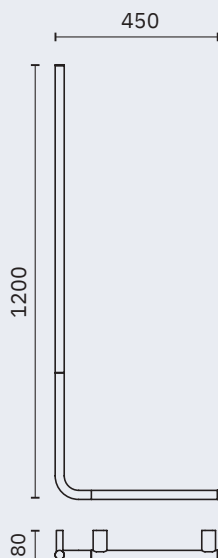


09059.B

Toilet brush holder with wall support

Material
Stainless steel

Dimensions
378 x 100 x 104 mm
1'-2 7/8" x 3 7/8" x 4 1/8"



16345.B

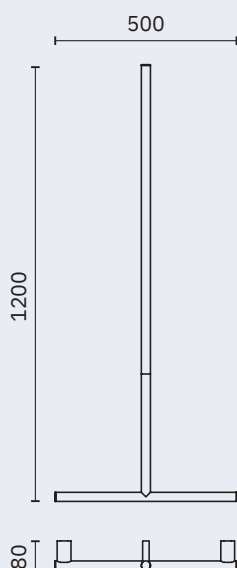
Angular support bar for shower

Dimensions
1200 x 450 x 80 mm
3'-11 1/4" x 1'-5 3/4" x 3 1/8"
Ø 25 mm

15208.B

Support for shower head

Dimensions
117 mm, Ø 40 mm
4 5/8", Ø 1 5/8"



16344.B

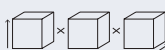
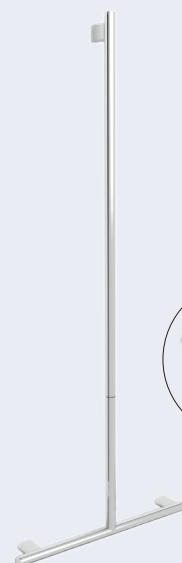
T shaped support bar for shower

Dimensions
1200 x 500 x 80 mm
3'-11 1/4" x 1'-7 5/8" x 3 1/8"
Ø 25 mm

15208.B

Support for shower head

Dimensions
117 mm, Ø 40 mm
4 5/8", Ø 1 5/8"



siena

- ✓ Collection of washroom accessories made of chromed brass
- ✓ Complements of blown glass
- ✓ Nuts and bolts of stainless steel
- ✓ Fixing screw to wall using mounting plate system

Material
Chromed brass

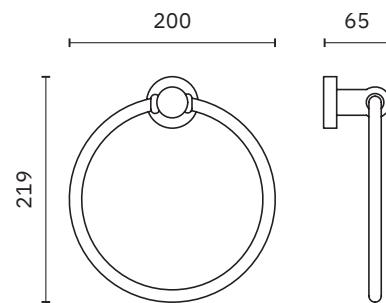
Finish
Polished (.B)



16357.B

Large towel ring

Dimensions
219 x 200 x 65 mm
8 5/8" x 7 7/8" x 2 1/2"
Ø 12 mm ring tube



NEW

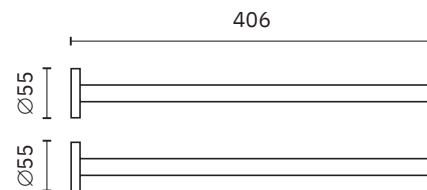


16874.B

Towel bar

Material
AISI 304 stainless steel

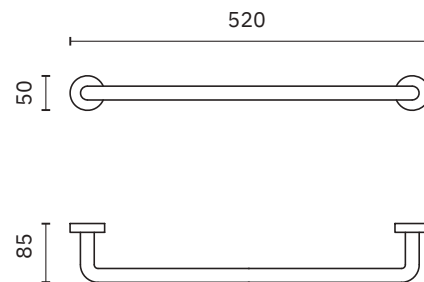
Dimensions
55 x 406 x 55 mm
2 1/8" x 1'-4" x 2 1/8"



16351.B

Straight bar

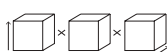
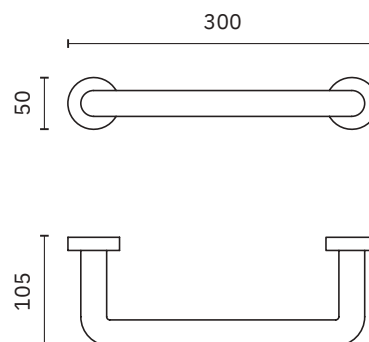
Dimensions
50 x 520 x 85 mm
2" x 1'-8 1/2" x 3 3/8"
Ø 20 mm tube



16352.B

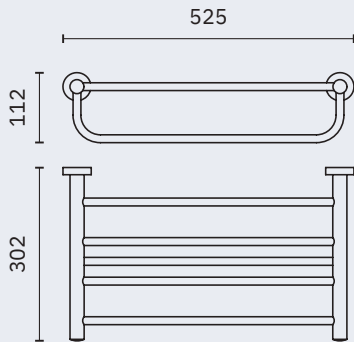
Straight bar Ø 25 mm tube.
Double use (grab rail / towel bar)

Dimensions
50 x 300 x 105 mm
2" x 11 3/4" x 4 1/8"
Ø 25 mm tube



siena

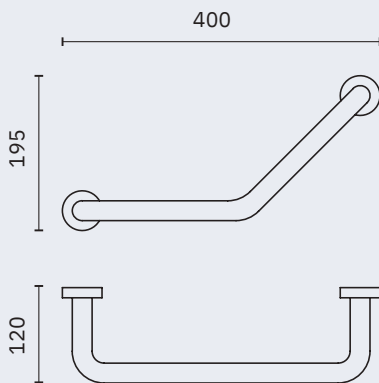
- ✓ Collection of washroom accessories made of chromed brass
 - ✓ Complements of blown glass
 - ✓ Nuts and bolts of stainless steel
 - ✓ Fixing screw to wall using mounting plate system
- Material
Chromed brass
- Finish
Polished (.B)



16358.B

Towel rack shelf with bottom bar

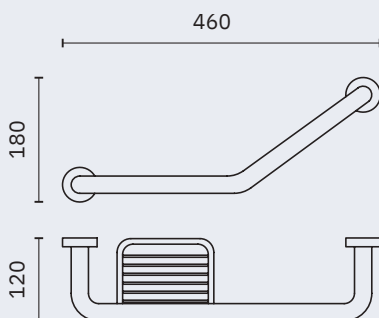
Dimensions
112 x 525 x 302 mm
4 3/8" x 1'-8 5/8" x 11 7/8"



16354.B

Angled handle, tube \varnothing 25 mm.
Without soap basket

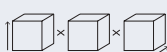
Dimensions
195 x 400 x 120 mm
7 5/8" x 1'-3 3/4" x 4 3/4"
 \varnothing 25 mm



16355.B

Angled handle, tube \varnothing 25 mm.
With soap basket

Dimensions
180 x 460 x 120 mm
7 1/8" x 1'-6 1/8" x 4 3/4"
 \varnothing 25 mm



siena

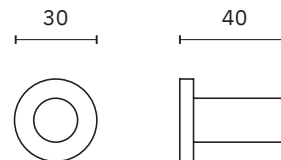
✓ Collection of washroom accessories made of chromed brass	Material Chromed brass
✓ Complements of blown glass	
✓ Nuts and bolts of stainless steel	Finish Polished (.B)
✓ Fixing screw to wall using mounting plate system	



16363.B

Hook

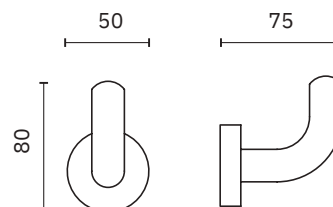
Dimensions
30 x 30 x 40 mm
1 1/8" x 1 1/8" x 1 5/8"



16359.B

Hook

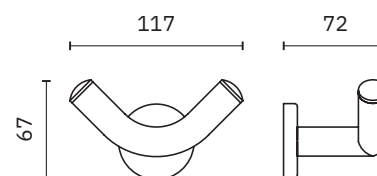
Dimensions
80 x 50 x 75 mm
3 1/8" x 2" x 3"



16360.B

Double hook

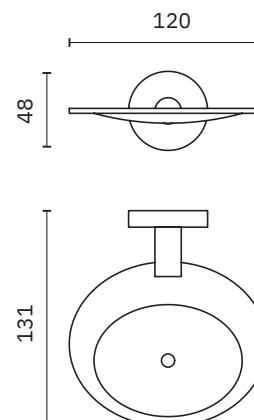
Dimensions
67 x 117 x 72 mm
2 5/8" x 4 5/8" x 2 7/8"



16362.B

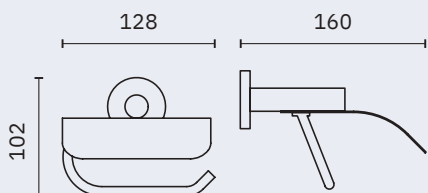
Soap dish

Dimensions
48 x 120 x 131 mm
1 7/8" x 4 3/4" x 5 1/8"



siena

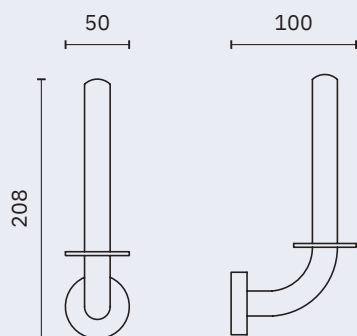
- | | |
|--|---------------------------|
| ✓ Collection of washroom accessories made of chromed brass | Material
Chromed brass |
| ✓ Complements of blown glass | |
| ✓ Nuts and bolts of stainless steel | Finish
Polished (.B) |
| ✓ Fixing screw to wall using mounting plate system | |



16361.B

Toilet paper roll holder

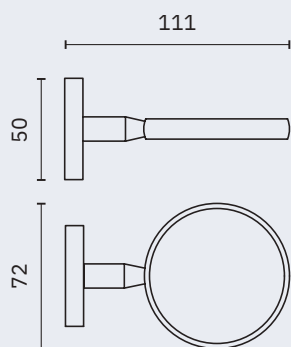
Dimensions
102 x 128 x 160 mm
4" x 5" x 6 1/4"



16350.B

Spare toilet paper roll holder

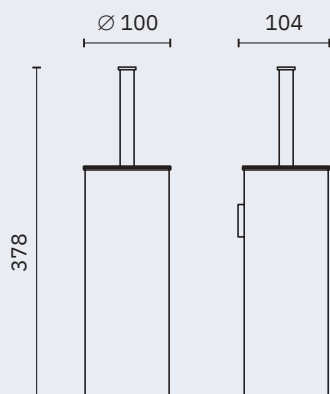
Dimensions
208 x 50 x 100 mm
8 1/4" x 2" x 3 7/8"



16356.B

Glass for toothbrush with wall support

Dimensions
50 x 111 x 72 mm
2" x 4 7/8" x 2 7/8"



09059.B

Toilet brush holder with wall support

Material
Stainless steel

Dimensions
378 x 100 x 104 mm
1'-2 7/8" x 3 7/8" x 4 1/8"



monaco

- ✓ Collection of washroom accessories made of chromed brass
- ✓ Complements of blown glass
- ✓ Nuts and bolts of stainless steel
- ✓ Fixing screw to wall using mounting plate system

Material
Chromed brass

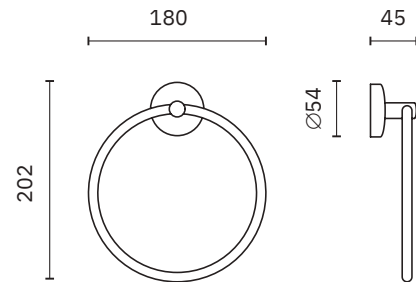
Finish
Polished (.B)



16377.B

Towel ring

Dimensions
202 x 180 x 45 mm
8" x 7 1/8" x 1 3/4"
Ø 9,5 mm ring tube



NEW

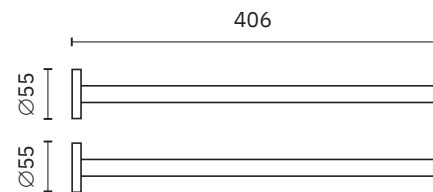


16874.B

Towel bar

Material
AISI 304 stainless steel

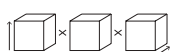
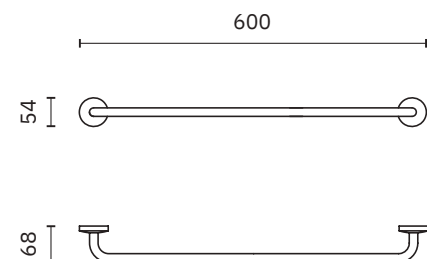
Dimensions
55 x 406 x 55 mm
2 1/8" x 1'-4" x 2 1/8"



16371.B

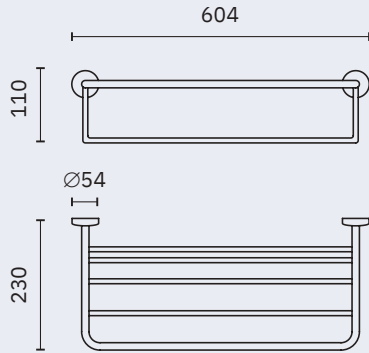
Straight bar

Dimensions
54 x 600 x 68 mm
2 1/8" x 1'-11 5/8" x 2 5/8"
Ø 16 mm



monaco

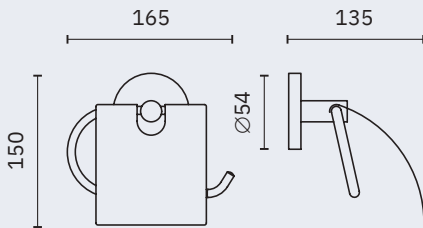
- ✓ Collection of washroom accessories made of chromed brass
 - ✓ Complements of blown glass
 - ✓ Nuts and bolts of stainless steel
 - ✓ Fixing screw to wall using mounting plate system
- Material
Chromed brass
- Finish
Polished (.B)



16378.B

Towel rack shelf with bottom bar

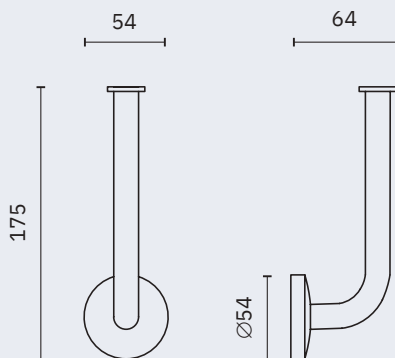
Dimensions
110 x 604 x 230 mm
4 3/8" x 1'-11 3/4" x 9"



16374.B

Toilet paper roll holder

Dimensions
150 x 165 x 135 mm
5 7/8" x 6 1/2" x 5 1/4"



16381.B

Spare toilet paper roll holder

Dimensions
175 x 54 x 64 mm
6 7/8" x 2 1/8" x 2 1/2"



monaco

- ✓ Collection of washroom accessories made of chromed brass
- ✓ Complements of blown glass
- ✓ Nuts and bolts of stainless steel
- ✓ Fixing screw to wall using mounting plate system

Material
Chromed brass

Finish
Polished (.B)

NEW

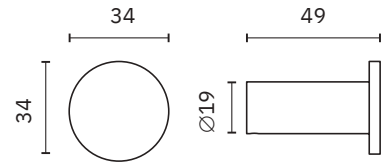


16873.B

Hook

Material
AISI 304 stainless steel

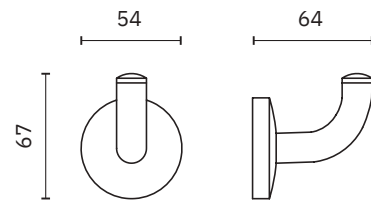
Dimensions
34 x 34 x 49 mm
1 3/8" x 1 3/8" x 1 7/8"



16379.B

Hook

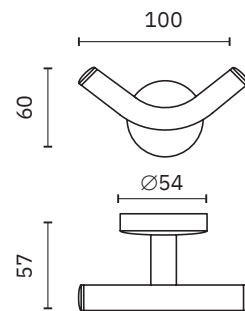
Dimensions
67 x 54 x 64 mm
2 5/8" x 2 1/8" x 2 1/2"



16373.B

Double hook

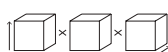
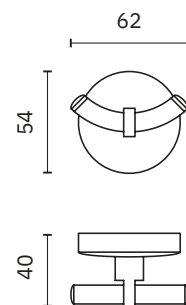
Dimensions
60 x 100 x 57 mm
2 3/8" x 3 7/8" x 2 1/4"



16370.B

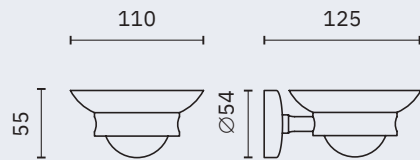
Double hook

Dimensions
54 x 62 x 40 mm
2 1/8" x 2 1/2" x 1 5/8"



monaco

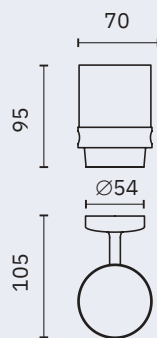
✓ Collection of washroom accessories made of chromed brass	Material Chromed brass
✓ Complements of blown glass	
✓ Nuts and bolts of stainless steel	Finish Polished (.B)
✓ Fixing screw to wall using mounting plate system	



16372.B

Soap dish

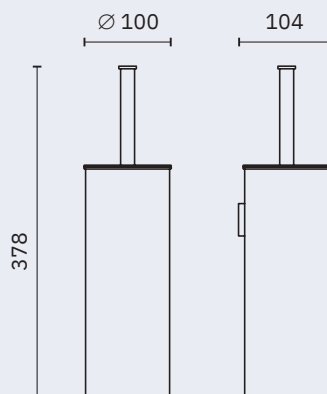
Dimensions
55 x 110 x 125 mm
2 1/8" x 4 3/8" x 4 7/8"



16376.B

Glass for toothbrush with wall support

Dimensions
95 x 70 x 105 mm
3 3/4" x 2 3/4" x 4 1/8"



09059.B

Toilet brush holder with wall support

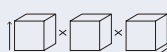
Material
Stainless steel

Dimensions
378 x 100 x 104 mm
1'-2 7/8" x 3 7/8" x 4 1/8"



06045.FIX

Bathroom accessories fixing adhesive. Adhesive tube 6 ml







capri gold

NEW

- ✓ Washroom accessories collection made of aluminium
- ✓ Complements of blown glass
- ✓ Nuts and bolts of stainless steel
- ✓ Fixing screw to wall using mounting plate system

Material
Aluminium

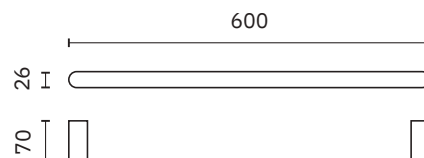
Finish
Brushed gold (.G)



16220.60.G

Towel rack

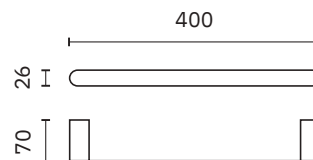
Dimensions
26 x 600 x 70 mm
1" x 23 5/8" x 2 3/4"



16220.40.G

Towel rack

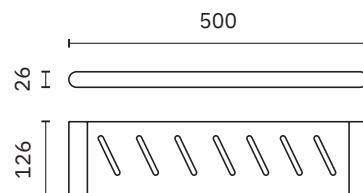
Dimensions
26 x 400 x 70 mm
1" x 15 3/4" x 2 3/4"



16226.G

Utility shelf

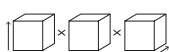
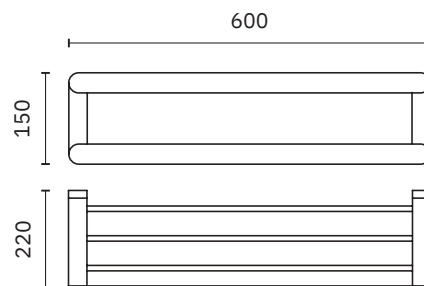
Dimensions
26 x 500 x 126 mm
1" x 19 3/4" x 5"



16223.G

Towel rack shelf with bottom bar

Dimensions
150 x 600 x 220 mm
5 7/8" x 23 5/8" x 8 5/8"



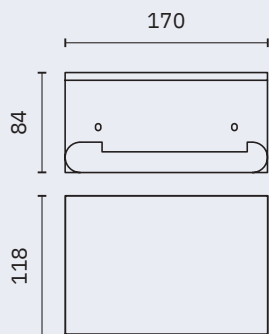
capri gold

NEW

- ✓ Washroom accessories collection made of aluminium
- ✓ Complements of blown glass
- ✓ Nuts and bolts of stainless steel
- ✓ Fixing screw to wall using mounting plate system

Material
Aluminium

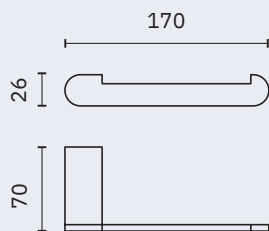
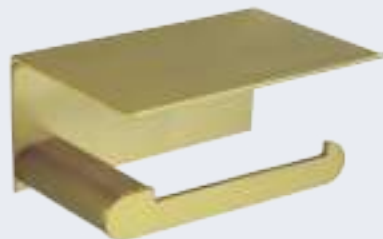
Finish
Brushed gold (.G)



16228.G

Toilet paper roll holder with shelf

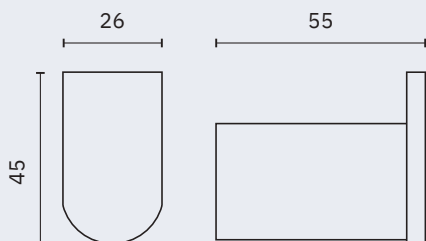
Dimensions
84 x 170 x 118 mm
3 1/4" x 6 3/4" x 4 5/8"



16229.G

Spare toilet paper roll holder

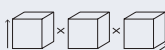
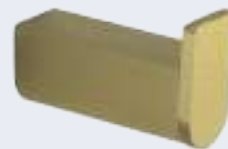
Dimensions
26 x 170 x 70 mm
1" x 6 3/4" x 2 3/4"



16221.G

Hook

Dimensions
45 x 26 x 55 mm
1 3/4" x 1" x 2 1/8"



capri gold

NEW

- ✓ Washroom accessories collection made of aluminium
- ✓ Complements of blown glass
- ✓ Nuts and bolts of stainless steel
- ✓ Fixing screw to wall using mounting plate system

Material
Aluminium

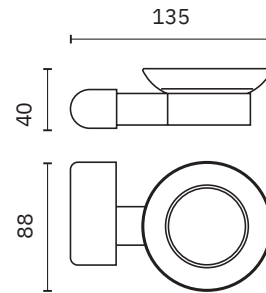
Finish
Brushed gold (.G)



16225.G

Soap dish

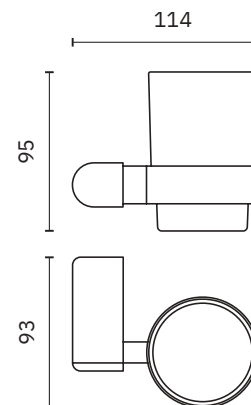
Dimensions
40 x 135 x 88 mm
1 5/8" x 5 1/4" x 3 1/2"



16231.G

Glass for toothbrush with wall support

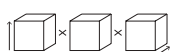
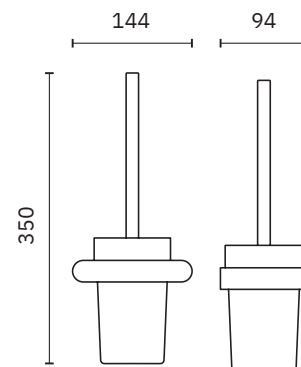
Dimensions
95 x 114 x 93 mm
3 5/8" x 4 1/2" x 3 5/8"



16227.G

Toilet brush

Dimensions
350 x 144 x 94 mm
1'-1 3/4" x 5 5/8" x 3 3/4"





capri black

NEW

- ✓ Washroom accessories collection made of aluminium
- ✓ Complements of blown glass
- ✓ Nuts and bolts of stainless steel
- ✓ Fixing screw to wall using mounting plate system

Material
Aluminium

Finish
Black (.N)

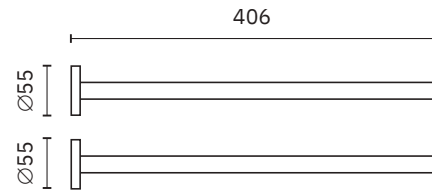
16874.N



Towel bar

Material
AISI 304 stainless steel

Dimensions
55 x 406 x 55 mm
2 1/8" x 1'-4" x 2 1/8"

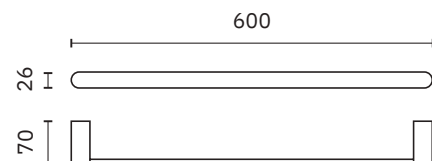


16220.60.N



Towel rack

Dimensions
26 x 600 x 70 mm
1" x 23 5/8" x 2 3/4"

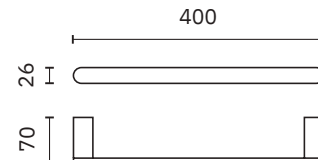


16220.40.N



Towel rack

Dimensions
26 x 400 x 70 mm
1" x 15 3/4" x 2 3/4"

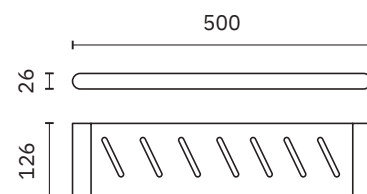


16226.N



Utility shelf

Dimensions
26 x 500 x 126 mm
1" x 19 3/4" x 5"

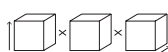
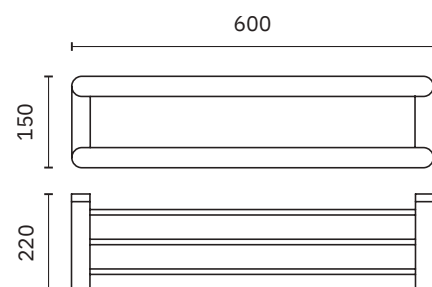


16223.N



Towel rack shelf with bottom bar

Dimensions
150 x 600 x 220 mm
5 7/8" x 23 5/8" x 8 5/8"



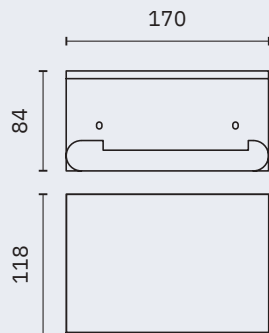
capri black

NEW

- ✓ Washroom accessories collection made of aluminium
- ✓ Complements of blown glass
- ✓ Nuts and bolts of stainless steel
- ✓ Fixing screw to wall using mounting plate system

Material
Aluminium

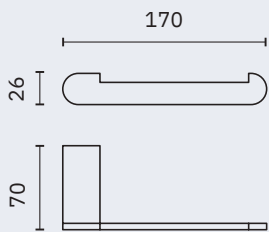
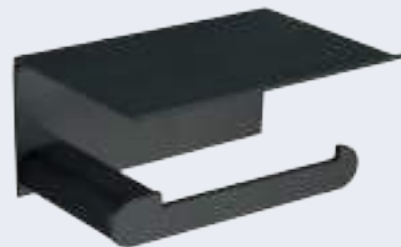
Finish
Black (.N)



16228.N

Toilet paper roll holder with shelf

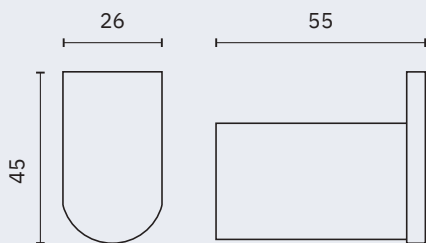
Dimensions
84 x 170 x 118 mm
3 1/4" x 6 3/4" x 4 5/8"



16229.N

Toilet paper roll holder

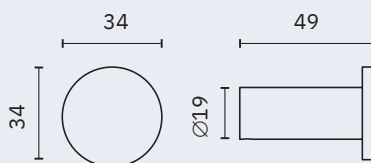
Dimensions
26 x 170 x 70 mm
1" x 6 3/4" x 2 3/4"



16221.N

Hook

Dimensions
45 x 26 x 55 mm
1 3/4" x 1" x 2 1/8"

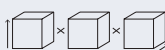
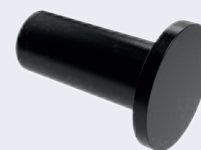


16873.N

Hook

Material
AISI 304 stainless steel

Dimensions
34 x 34 x 49 mm
1 3/8" x 1 3/8" x 1 7/8"



capri black

NEW

- ✓ Washroom accessories collection made of aluminium
- ✓ Complements of blown glass
- ✓ Nuts and bolts of stainless steel
- ✓ Fixing screw to wall using mounting plate system

Material
Aluminium

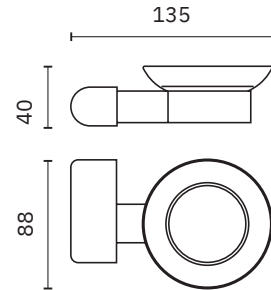
Finish
Black (.N)



16225.N

Soap dish

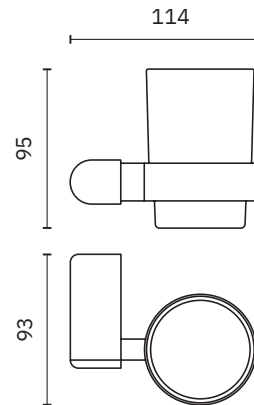
Dimensions
40 x 135 x 88 mm
1 5/8" x 5 1/4" x 3 1/2"



16231.N

Glass for toothbrush with wall support

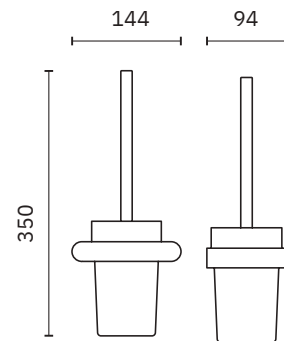
Dimensions
95 x 114 x 93 mm
3 5/8" x 4 1/2" x 3 5/8"



16227.N

Toilet brush

Dimensions
350 x 144 x 94 mm
1'-1 3/4" x 5 5/8" x 3 3/4"

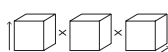
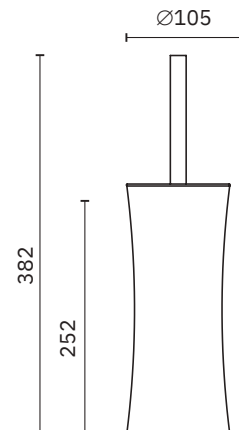


09078.N

Toilet brush holder

Material
Stainless steel

Dimensions
382 mm x Ø 105 mm
1'-3" x Ø 4 1/4"





hotel

- ✓ Washroom accessories collection made of metallic alloy
- ✓ Complements of blown glass
- ✓ Nuts and bolts of stainless steel
- ✓ Fixing screw to wall using mounting plate system

Material
Zamac

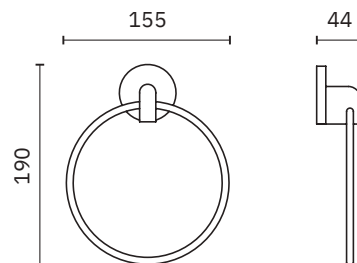
Finish
Polished (.B)



16407.B

Towel ring

Dimensions
190 x 155 x 44 mm
7 1/2" x 6 1/8" x 1 3/4"
Ø 6,5 mm tube



NEW

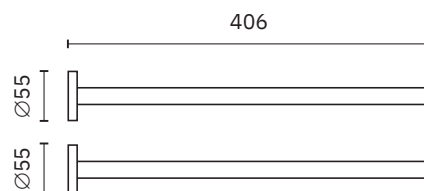


16874.B

Towel bar

Material
AISI 304 stainless steel

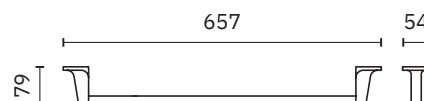
Dimensions
55 x 406 x 55 mm
2 1/8" x 1'-4" x 2 1/8"



16402.B

Towel rack

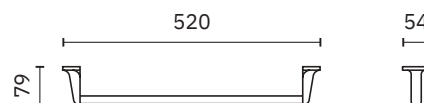
Dimensions
54 x 657 x 79 mm
2 1/8" x 2'-1 7/8" x 3 1/8"



16401.B

Towel rack

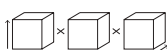
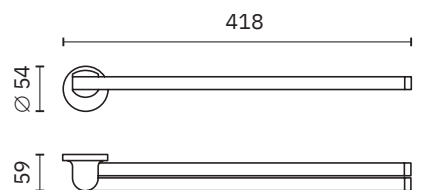
Dimensions
54 x 520 x 79 mm
2 1/8" x 1'-8 1/2" x 3 1/8"



16408.B

Folding double towel bars

Dimensions
54 x 418 x 59 mm
2 1/8" x 1'-4 1/2" x 2 3/8"



hotel

- ✓ Washroom accessories collection made of metallic alloy
 - ✓ Complements of blown glass
 - ✓ Nuts and bolts of stainless steel
 - ✓ Fixing screw to wall using mounting plate system
- Material
Zamac
- Finish
Polished (.B)



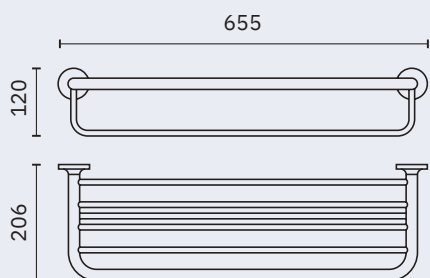
16405.B

Double towel bar
 Dimensions
 55 x 670 x 122 mm
 2 1/8" x 2'-2 3/8" x 4 7/8"



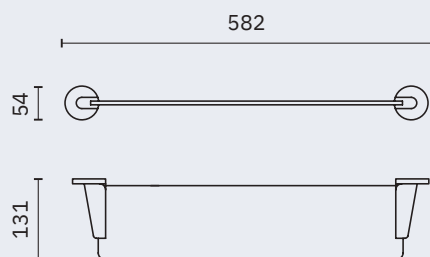
16404.B

Double towel bar
 Dimensions
 55 x 530 x 122 mm
 2 1/8" x 1'-8 7/8" x 4 7/8"



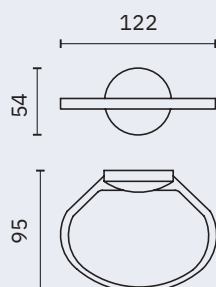
16406.B

Towel rack shelf with bottom bar
 Dimensions
 120 x 655 x 206 mm
 4 3/4" x 2'-1 3/4" x 8 1/8"



16415.B

Glass shelf
 Dimensions
 54 x 582 x 131 mm
 2 1/8" x 1'-10 7/8" x 5 1/8"



16412.B

Soap dish
 Dimensions
 54 x 122 x 95 mm
 2 1/8" x 4 7/8" x 3 3/4"



hotel

- ✓ Washroom accessories collection made of metallic alloy
- ✓ Complements of blown glass
- ✓ Nuts and bolts of stainless steel
- ✓ Fixing screw to wall using mounting plate system

Material
Zamac

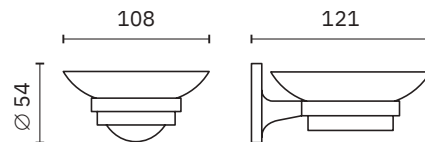
Finish
Polished (.B)



16413.B

Soap dish

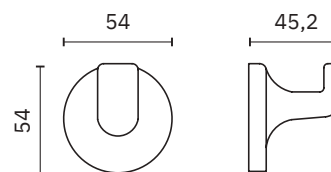
Dimensions
54 x 108 x 121 mm
2 1/8" x 4 1/4" x 4 3/4"



16409.B

Hook

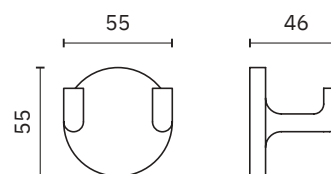
Dimensions
54 x 54 x 45 mm
2 1/8" x 2 1/8" x 1 3/4"



16419.B

Double hook

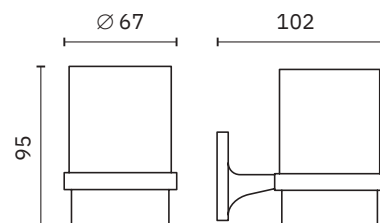
Dimensions
55 x 55 x 46 mm
2 1/8" x 2 1/8" x 1 3/4"



16410.B

Glass for toothbrush with wall support

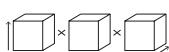
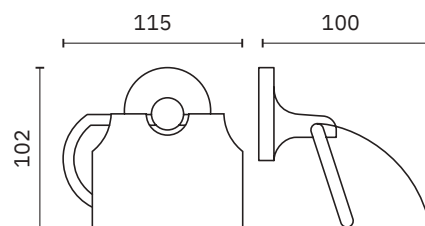
Dimensions
95 x 67 x 102 mm
3 3/4" x 2 5/8" x 4"



16417.B

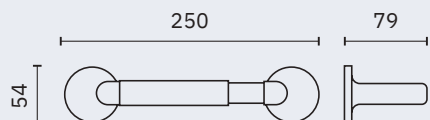
Toilet paper roll holder

Dimensions
102 x 115 x 100 mm
4" x 4 1/2" x 4"



hotel

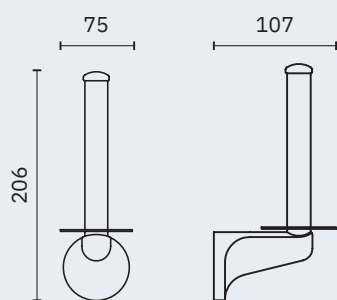
- ✓ Washroom accessories collection made of metallic alloy
 - ✓ Complements of blown glass
 - ✓ Nuts and bolts of stainless steel
 - ✓ Fixing screw to wall using mounting plate system
- Material
Zamac
- Finish
Polished (.B)



16416.B

Toilet paper roll holder

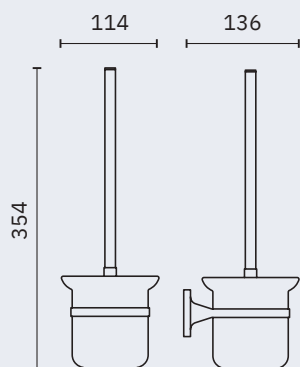
Dimensions
54 x 250 x 79 mm
2 1/8" x 9 7/8" x 3 1/8"



16411.B

Spare toilet paper roll holder

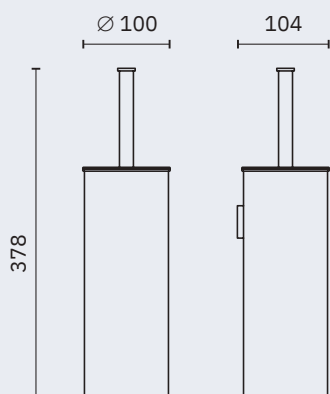
Dimensions
206 x 75 x 107 mm
8 1/8" x 3" x 4 1/4"



16418.B

Toilet brush holder with wall support

Dimensions
354 x 114 x 136 mm
1'-2" x 4 1/2" x 5 3/8"

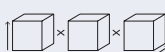


09059.B

Toilet brush holder with wall support

Material
Stainless steel

Dimensions
378 x 100 x 104 mm
1'-2 7/8" x 3 7/8" x 4 1/8"



line

- ✓ Washroom accessories collection made of metallic alloy
- ✓ Complements of blown glass
- ✓ Nuts and bolts of stainless steel
- ✓ Fixing screw to wall using mounting plate system

Material
Zamac

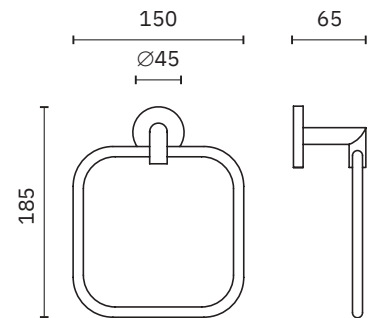
Finish
Satin (.S) Polished (.B) White (.W)



16504.B 16504.W

Towel ring

Dimensions
185 x 150 x 65 mm
7 1/4" x 5 7/8" x 2 1/2"
Ø 9 mm tube



NEW

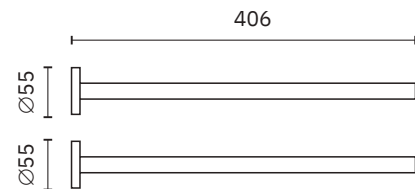


16874.S 16874.B

Towel bar

Material
AISI 304 stainless steel

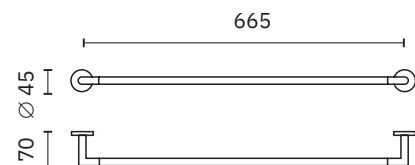
Dimensions
55 x 406 x 55 mm
2 1/8" x 1'-4" x 2 1/8"



16501.65.B

Towel rack

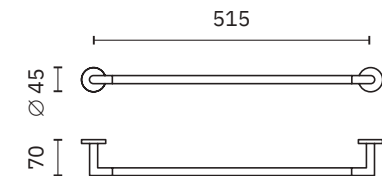
Dimensions
45 x 665 x 70 mm
1 3/4" x 2'-2 1/4" x 2 3/4"



16501.50.S 16501.50.B

Towel rack

Dimensions
45 x 515 x 70 mm
1 3/4" x 1'-8 1/4" x 2 3/4"



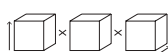
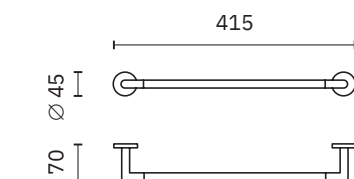
NEW



16501.40.B

Towel rack

Dimensions
45 x 415 x 70 mm
1 3/4" x 1'-4 3/8" x 2 3/4"



line

- ✓ Washroom accessories collection made of metallic alloy
- ✓ Complements of blown glass
- ✓ Nuts and bolts of stainless steel
- ✓ Fixing screw to wall using mounting plate system

Material
Zamac

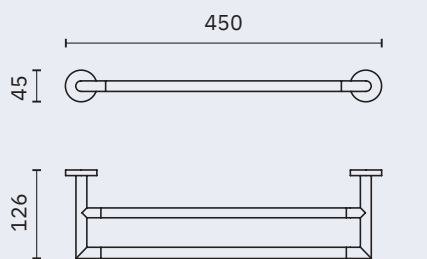
Finish
Satin (.S) Polished (.B) White (.W)



16510.B

Double towel bar

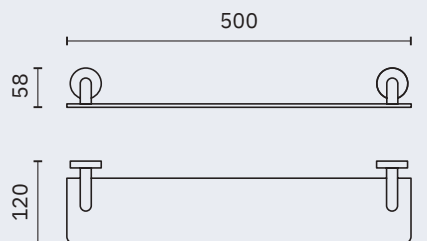
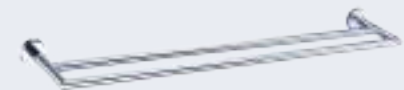
Dimensions
45 x 666 x 126 mm
1 3/4" x 2'-2 1/4" x 5"
Ø 14 mm tube



16509.B

Double towel bar

Dimensions
45 x 450 x 126 mm
1 3/4" x 1'-5 3/4" x 5"

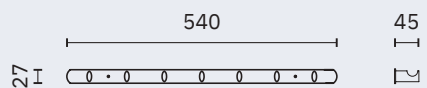


16515.S

16515.B

Glass shelf

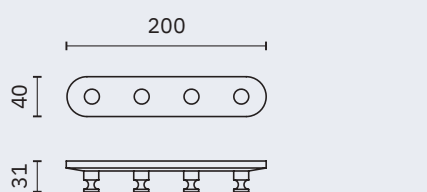
Dimensions
58 x 500 x 120 mm
2 1/4" x 1'-7 3/4" x 4 3/4"



16508.B

Hanger with seven hooks

Dimensions
27 x 540 x 45 mm
1 1/8" x 1'-9 1/4" x 1 3/4"



16507.B

Hanger with four hooks

Dimensions
40 x 200 x 31 mm
1 5/8" x 7 7/8" x 1 1/4"



line

- ✓ Washroom accessories collection made of metallic alloy
- ✓ Complements of blown glass
- ✓ Nuts and bolts of stainless steel
- ✓ Fixing screw to wall using mounting plate system

Material
Zamac

Finish
Satin (.S) Polished (.B)

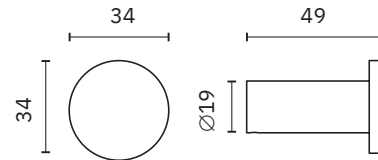
NEW



16873.S 16873.B

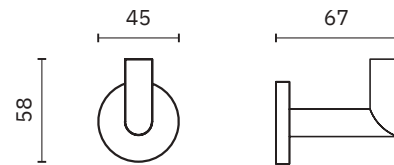
Hook
Material
AISI 304 stainless steel

Dimensions
34 x 34 x 49 mm
1 3/8" x 1 3/8" x 1 7/8"



16506.B

Hook
Dimensions
58 x 45 x 67 mm
2 1/4" x 1 3/4" x 2 5/8"



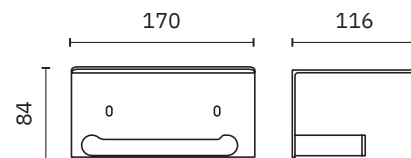
NEW



16876.S

Toilet paper roll holder with shelf
Material
AISI 304 stainless steel

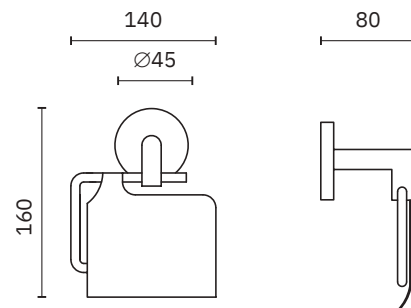
Dimensions
84 x 170 x 116 mm
3 1/4" x 6 3/4" x 4 1/2"



16500.S

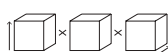
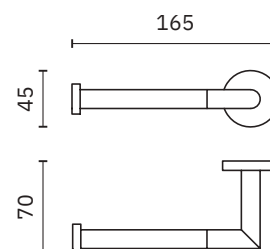
16500.B

Toilet paper roll holder
Dimensions
160 x 140 x 80 mm
6 1/4" x 5 1/2" x 3 1/8"



16505.B

Spare toilet paper roll holder
Dimensions
45 x 165 x 70 mm
1 3/4" x 6 1/2" x 2 3/4"

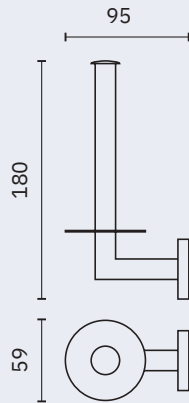


line

- ✓ Washroom accessories collection made of metallic alloy
- ✓ Complements of blown glass
- ✓ Nuts and bolts of stainless steel
- ✓ Fixing screw to wall using mounting plate system

Material
Zamac

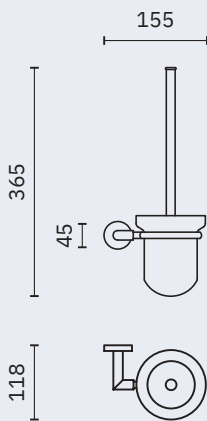
Finish
Satin (.S) Polished (.B)



16519.S 16519.B

Spare toilet paper roll holder

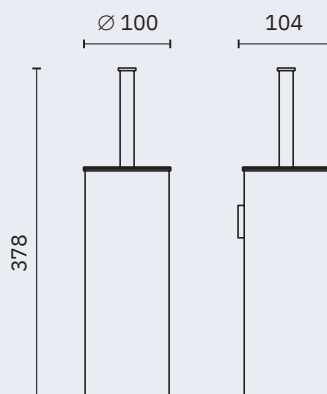
Dimensions
180 x 60 x 95 mm
7 1/8" x 2 3/8" x 3 3/4"



16518.S 16518.B

Toilet brush

Dimensions
365 x 155 x 118 mm
1'-2 3/8" x 6 1/8" x 4 5/8"



09059.S 09059.B

Toilet brush holder with wall support

Material
Stainless steel

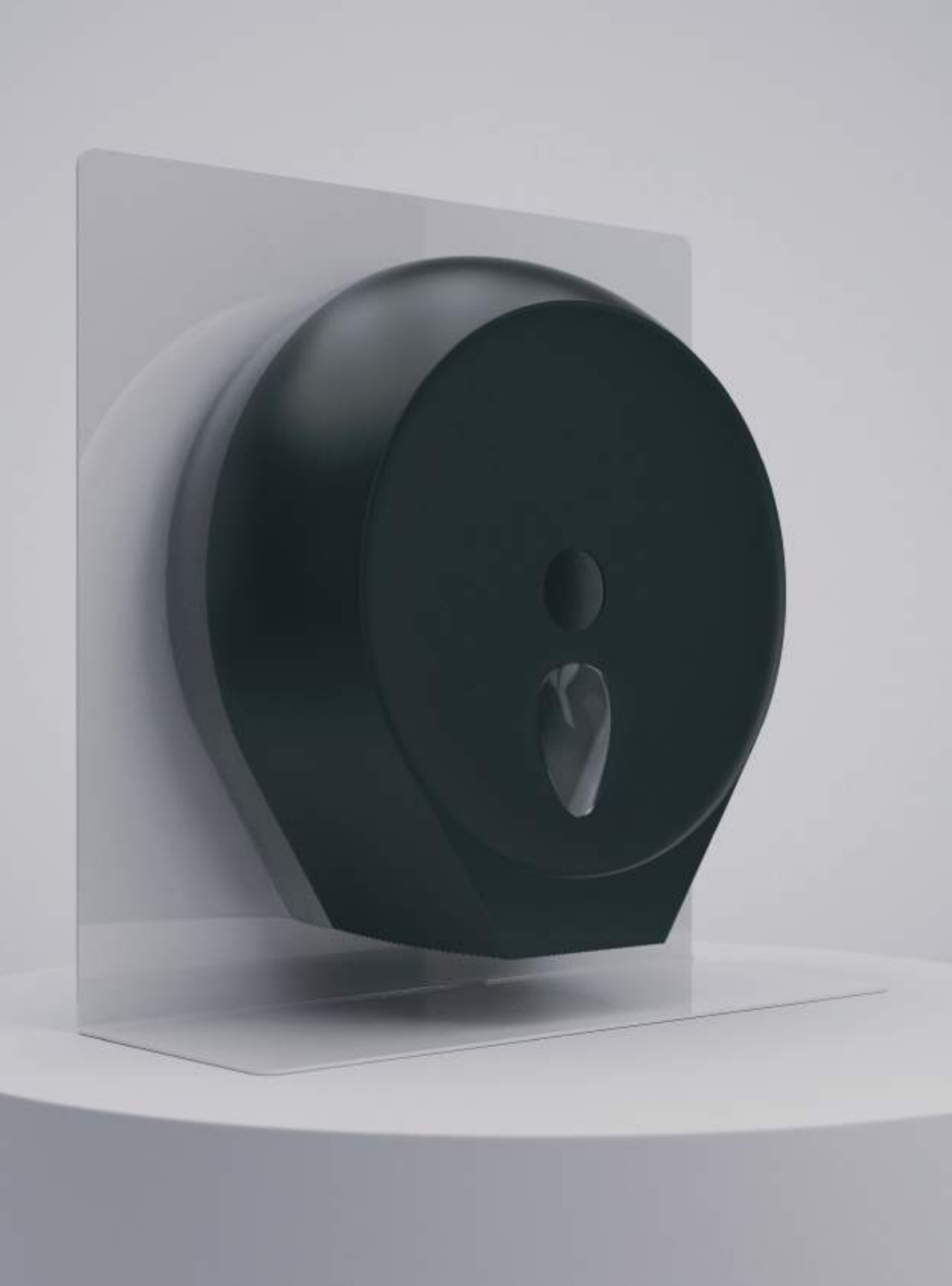
Dimensions
378 x 100 x 104 mm
1'-2 7/8" x 3 7/8" x 4 1/8"



06045.FIX

Washroom accessories
fixing adhesive. Adhesive
tube 6 ml

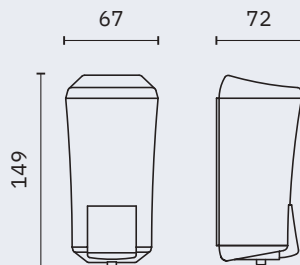




black

Material
ABS

Finish
Soft touch black

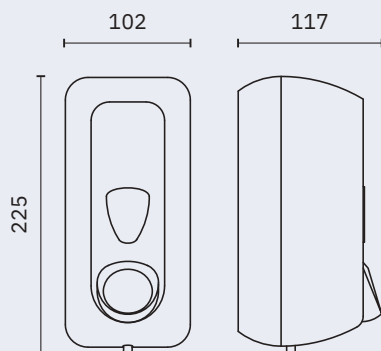


03010.N

Wall mounted refillable liquid soap dispenser

Dimensions
149 x 67 x 72 mm
5 7/8" x 2 7/8" x 2 7/8"

Capacity
170 ml

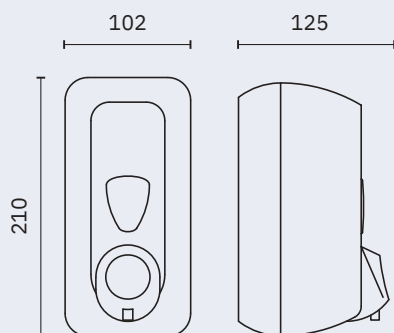


03011.N

Wall mounted refillable liquid soap dispenser

Dimensions
225 x 102 x 117 mm
8 7/8" x 4" x 4 5/8"

Capacity
550 ml



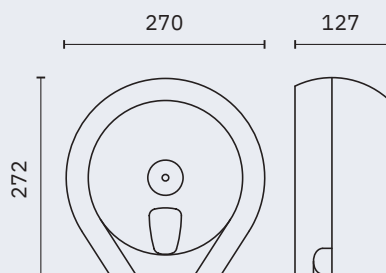
03012.N

Wall mounted refillable foam soap dispenser with cartridge

Dimensions
210 x 102 x 125 mm
8 1/4" x 4" x 4 7/8"

Capacity
500 ml

Consumable
Rechargeable cartridge 06025.K



05010.N

Industrial toilet paper dispenser

Dimensions
272 x 270 x 127 mm
10 3/4" x 10 5/8" x 5"

Maximum roll: Ø 230 mm
Axle Ø: 42 mm



black

Material
ABS

Finish
Soft touch black

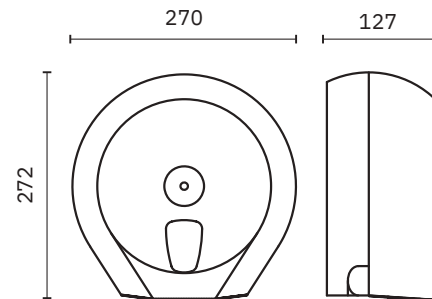


05011.N

Extra-large toilet paper industrial dispenser

Dimensions
332 x 325 x 127 mm
1'-1 1/8" x 1'-0 3/4" x 5"

Maximum roll: Ø 290 mm
Axle Ø: 42 mm

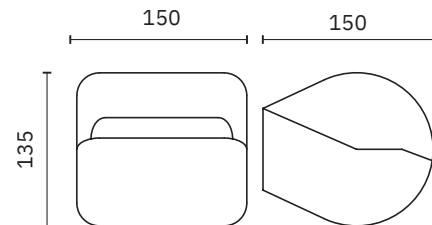


05012.N

Toilet paper dispenser

Dimensions
135 x 150 x 150 mm
5 3/8" x 5 7/8" x 5 7/8"

Capacity
Domestic roll

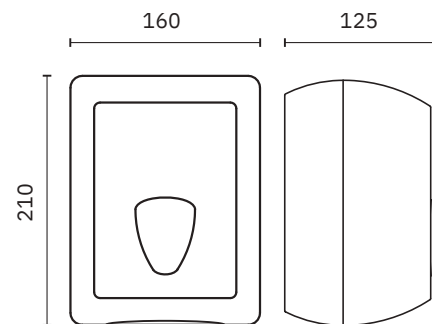


04030.N

Bulkpack toilet paper towels dispenser

Dimensions
210 x 160 x 125 mm
8 1/4" x 6 1/4" x 4 7/8"

Capacity
350 towels

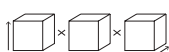
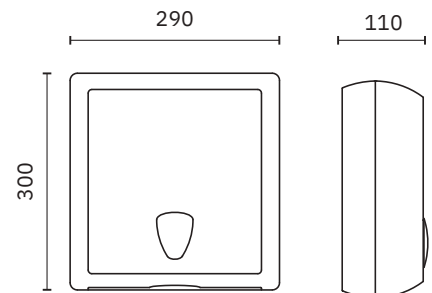


04031.N

Paper towel dispenser

Dimensions
300 x 290 x 110 mm
11 3/4" x 11 3/8" x 4 3/8"

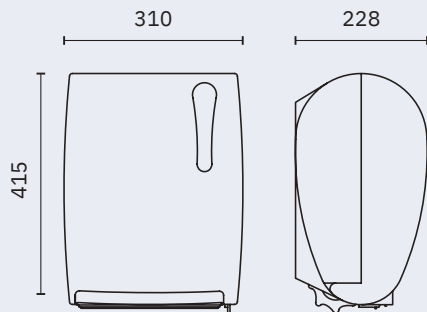
Capacity
250 towels



black

Material
ABS

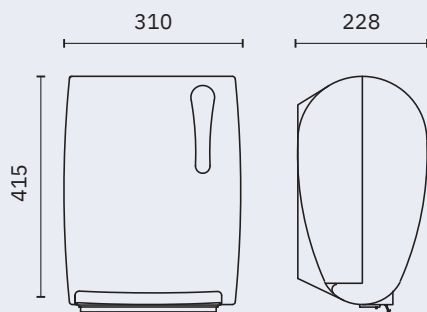
Finish
Soft touch black



04032.N

Paper towel dispenser
AUTOMATIC CUT. Manual supply.
automatic cut. Operates with
batteries

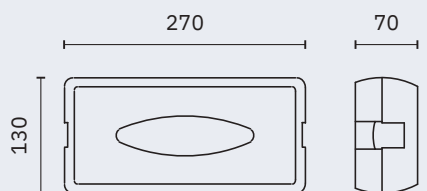
Dimensions
415 x 310 x 228 mm
1'-4 3/8" x 1'-0 1/4" x 9"
Max. roll \varnothing 190 x 220 mm



04033.N

Electronic paper towel dispenser.
Automatic supply. MANUAL CUT.
Operated with batteries

Dimensions
415 x 310 x 228 mm
1'-4 3/8" x 1'-0 1/4" x 9"
Max. roll \varnothing 200 x 220 mm

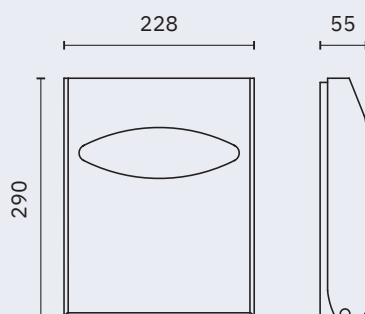


04027.N

Tissue dispenser

Dimensions
70 x 270 x 130 mm
2 3/4" x 10 5/8" x 5 1/8"

Capacity
Box of tissues

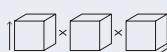


04028.N

Hygienic rings dispenser

Dimensions
290 x 228 x 55 mm
11 3/8" x 9" x 2 1/8"

Capacity
200 folded rings



black

Material
ABS

Finish
Soft touch black

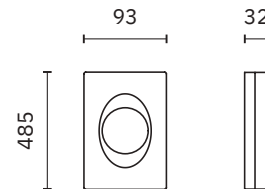


04029.N

Hygienic bag dispenser

Dimensions
95 x 135 x 32 mm
3 3/4" x 5 3/8" x 1 1/4"

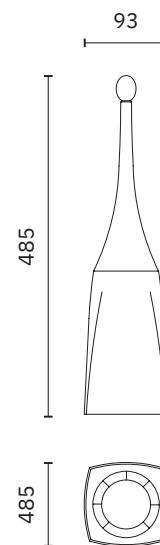
Capacity
25 bags



09108.N

Standing toilet brush holder on
chromed base

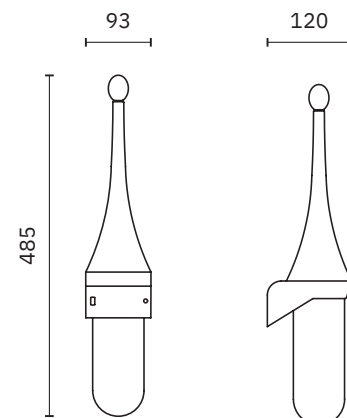
Dimensions
485 x 120 x 120 mm
1'-7 1/8" x 4 3/4" x 4 3/4"



09109.N

Toilet brush holder with chromed
wall bracket

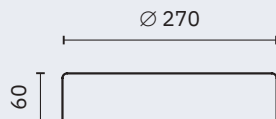
Dimensions
485 x 93 x 120 mm
1'-7 1/8" x 3 5/8" x 4 3/4"



black

Material
ABS

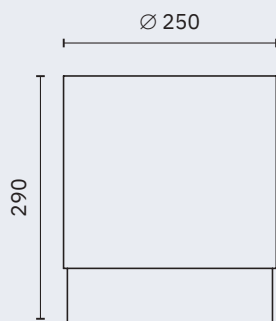
Finish
Soft touch black



14029.N

Bagholder ring for 14028.N bin

Dimensions
60 mm. x $\varnothing 270$ mm
2 3/8" x $\varnothing 10 5/8$ "

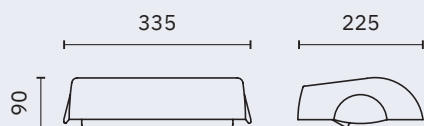


14028.N

Self-standing bin

Dimensions
290 mm. $\varnothing 250$ mm
11 3/8" $\varnothing 9 7/8$ "

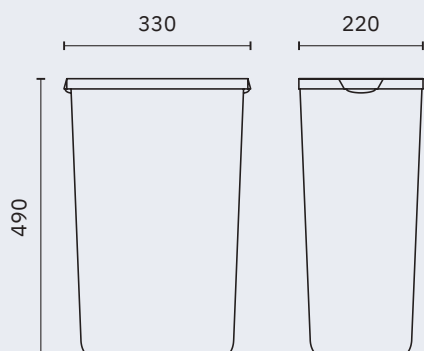
Capacity
13 litres



14040.N

Bin cover for 14030.N bin

Dimensions
90 x 335 x 225 mm
3 1/2" x 1'-1 1/4" x 8 7/8"



14030.N

Self-standing bin

Dimensions
490 x 330 x 220 mm
1'-7 1/4" x 1'-1" x 8 5/8"

Capacity
23 litres



special prices

Finish
Satin (.S) Polished (.B)



09049.S

09049.B

Towel ring

Material
Stainless steel

Dimensions
Ø 155 mm, 60 mm depth
Ø 6 1/8", 2 3/8" depth



16303.B

Towel rack

Material
Chromed brass

Dimensions
65 x 750 x 85 mm
2" x 1'-5 3/4" x 3 1/2"



09021.B

Hook

Material
Chromed brass

Dimensions
Ø 70 mm x 80 mm
Ø 2 3/4" x 3 1/8"



05025.S

Spare toilet paper roll holder

Material
Zamac

Dimensions
200 x 60 x 100 mm
7 7/8" x 2 3/8" x 3 7/8"



16525.B

Toilet brush

Material
Zamac

Dimensions
85 x 130 x 120 mm
3 3/8" x 5 1/8" x 4 3/4"

special prices

Material
Chromed brass

Finish
Polished (.B)

16537.B

Towel ring

Dimensions
180 x 183 x 163 mm
7 1/8" x 7 1/4" x 6 3/8"



16531.B

Towel rack

Dimensions
19 x 600 x 75 mm
3/4" x 1' 11 5/8" x 3"



16530.B

Towel rack

Dimensions
19 x 505 x 75 mm
3/4" x 1' 7 7/8" x 3"



16535.B

Glass shelf

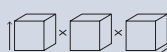
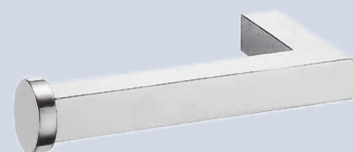
Dimensions
19 x 510 x 137 mm
3/4" x 1' 8 1/8" x 5 3/8"



16533.B

Toilet paper roll holder

Dimensions
32 x 145 x 80 mm
1 1/4" x 5 3/4" x 3 1/8"



special prices

Material
Zamac

Finish
Polished (.B)



16207.B

Towel ring

Dimensions
180 x 155 x 35 mm
7 1/8" x 6 1/8" x 1 3/8"



16202.B

Towel rack

Dimensions
70 x 600 x 70 mm
2 3/4" x 1'-11 5/8" x 2 3/4"



16204.B

Double towel bar

Dimensions
70 x 450 x 120 mm
2 3/4" x 1'-5 3/4" x 4 3/4"



16208.B

Double towel bar

Dimensions
70 x 400 x 55 mm
2 3/4" x 1'-3 3/4" x 2 1/8"

special prices

Material
Zamac

Finish
Polished (.B)

16212.B

Soap dish

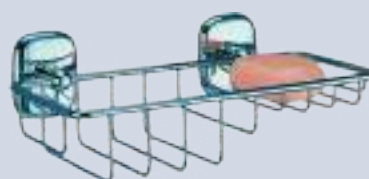
Dimensions
70 x 110 x 130 mm
2 3/4" x 4 3/8" x 5 1/8"



16213.B

Soap basket

Dimensions
265 x 95 x 160 mm
10 3/8" x 3 3/4" x 6 1/4"



16217.B

Toilet paper roll holder

Dimensions
140 x 132 x 140 mm
5 1/2" x 5 1/4" x 5 1/2"



16216.B

Toilet paper roll holder

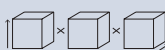
Dimensions
70 x 170 x 70 mm
2 3/4" x 6 3/4" x 2 3/4"



16218.B

Toilet brush

Dimensions
430 x 112 x 140 mm
1'-4 7/8" x 4 3/8" x 5 1/2"



soap baskets

- ✓ Collection of washroom accessories made of chromed brass
- ✓ Nuts and bolts of stainless steel
- ✓ Fixing screw to wall using mounting plate system

Material
Chromed brass

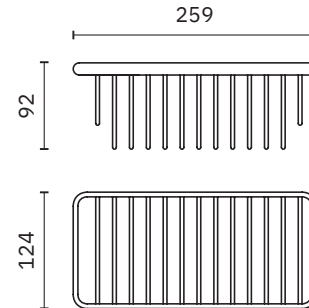
Finish
Satin (.S) Polished (.B)



09054.B

Rectangular soap basket

Dimensions
92 x 259 x 124 mm
3 5/8" x 10 1/4" x 4 7/8"

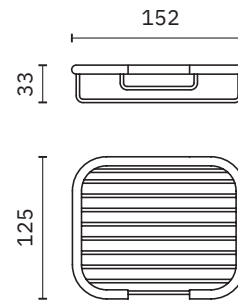


09055.S

09055.B

Rectangular soap basket

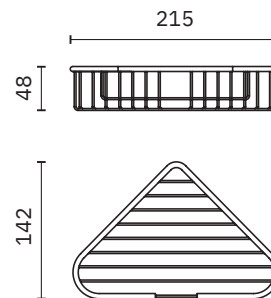
Dimensions
33 x 152 x 125 mm
1 1/4" x 6" x 4 7/8"



09052.B

Triangular soap basket

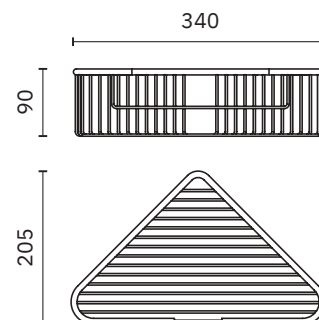
Dimensions
48 x 215 x 142 mm
1 7/8" x 8 1/2" x 5 5/8"



09053.B

Triangular soap basket

Dimensions
90 x 340 x 205 mm
3 1/2" x 1'1 3/8" x 8 1/8"

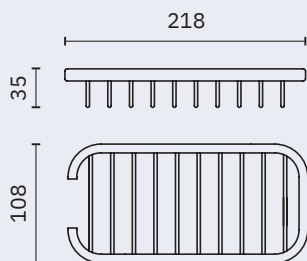


soap baskets

- ✓ Collection of washroom accessories made of stainless steel
- ✓ Nuts and bolts of stainless steel
- ✓ Fixing screw to wall using mounting plate system

Material
Stainless steel

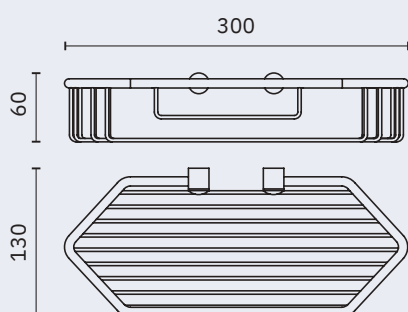
Finish
Satin (.S) Polished (.B)



09056.B

Rectangular soap basket

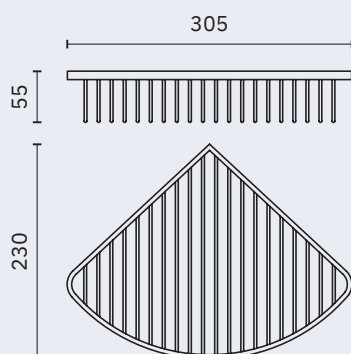
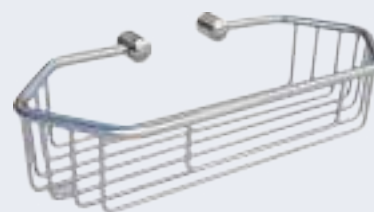
Dimensions
35 x 218 x 108 mm
1 3/8" x 8 5/8" x 4 1/4"



09057.B

Rectangular soap basket

Dimensions
60 x 300 x 130 mm
2 3/8" x 11 3/4" x 5 11/8"

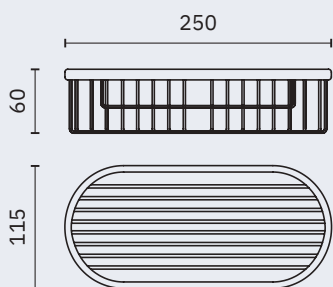


09063.S

09063.B

Triangular soap basket

Dimensions
55 x 305 x 230 mm
2 1/8" x 1' x 9"

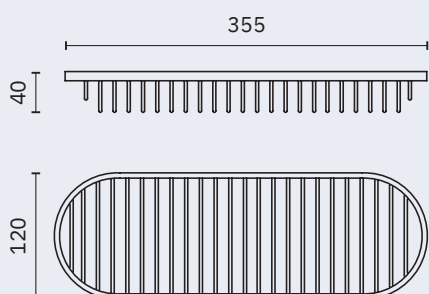
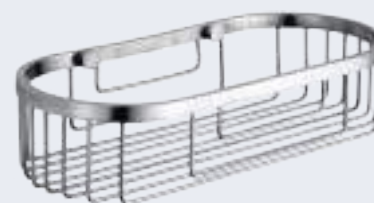


09064.S

09064.B

Rectangular soap basket

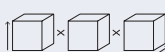
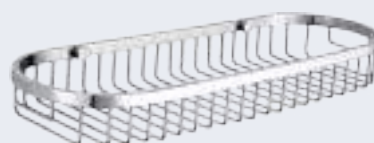
Dimensions
60 x 250 x 115 mm
2 3/8" x 9 7/8" x 4 1/2"



09065.B

Rectangular soap basket

Dimensions
40 x 355 x 120 mm
1 5/8" x 1' 2" x 4 3/4"







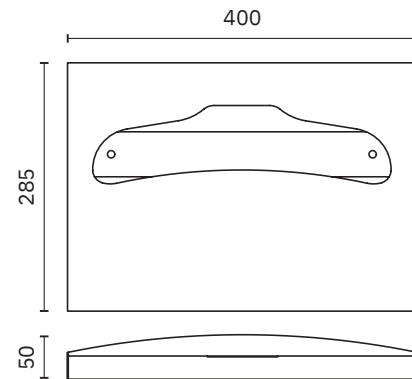
complements

Finish
Satin (.S) Polished (.B) White (.W)



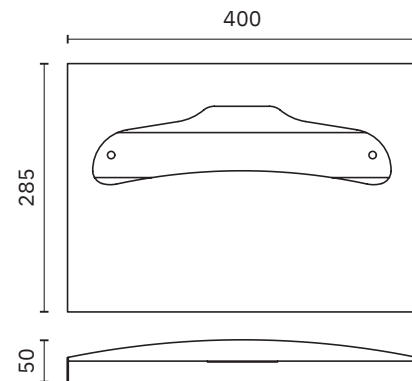
04026.2.S

Toilet rings dispenser
Material
AISI 304 stainless steel
Dimensions
285 x 400 x 50 mm
11 1/4" x 1' 3 3/4" x 2"
Capacity
200 - 250 uses



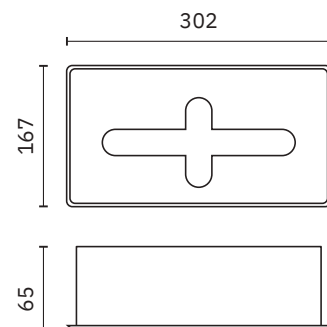
04026.2.B

Toilet rings dispenser
Material
AISI 304 stainless steel
Dimensions
285 x 400 x 50 mm
11 1/4" x 1' 3 3/4" x 2"
Capacity
250 uses



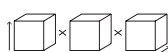
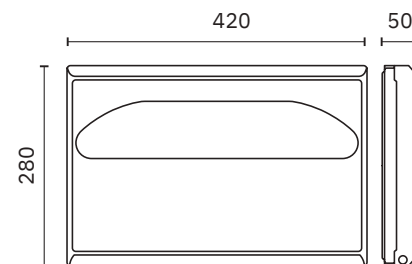
04025.B

Built-in tissue dispenser
Material
Chrome-plated steel
Dimensions
167 x 302 x 65 mm. 6 5/8" x 11 7/8" x 2 1/2"
Rough wall opening
147 x 292 x 75 mm. 5 3/4" x 11 1/2" x 3"



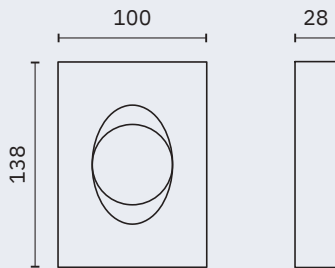
04026.2.W

Toilet rings dispenser
Material
ABS
Dimensions
280 x 420 x 50 mm
11" x 1'-4 1/2" x 2"
Capacity
200 - 250 uses



complements

Finish
Satin (.S) Polished (.B)

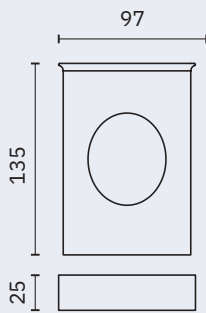


04049.B.2

Hygienic bag dispenser

Material
Chrome-plated ABS

Dimensions
138 x 100 x 28 mm
5 3/8" x 37/8" x 1 1/8"



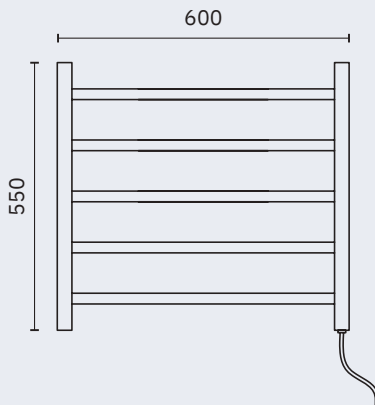
04050.S

04050.B

Hygienic bag dispenser

Material
Stainless steel

Dimensions
135 x 97 x 25 mm
5 3/8" x 3 3/4" x 1"



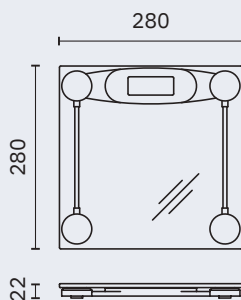
18003.B

Electric towel rack with ON/OFF switch

Material
Stainless steel

Power
65 W with plug

Dimensions
550 x 600 x 120 mm
1'-9 5/8" x 1'-11 5/8" x 4 3/4"
Ø tube 32-22 mm

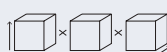
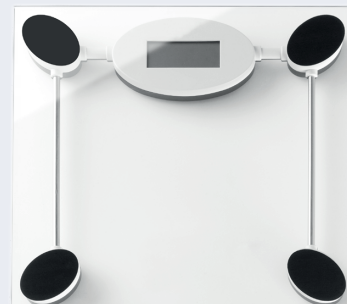


18010.T

Electronic personal scale

Material
Tempered glass base

Dimensions
280 x 280 x 22 mm
11" x 11" x 7/8"



complements

Self-adhesive pictograms

Finish
Satin (.S)

Material
AISI 304 stainless steel

Dimensions
Ø 100 mm. 3 7/8"



16720.2.S

Female toilet sign



16721.2.S

Male toilet sign



16722.2.S

Unisex toilet sign



16723.2.S

Baby changing sign



16724.2.S

Disability adapted toilet sign



16725.2.S

Shower sign



16730.2.S

No smoking sign



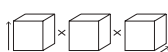
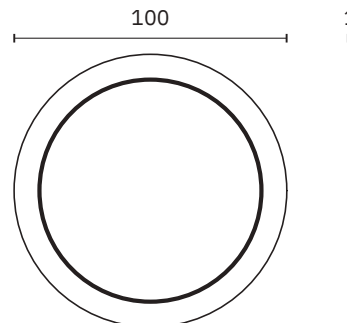
16733.2.S

No mobile phone use sign



16735.2.S

Silence please sign

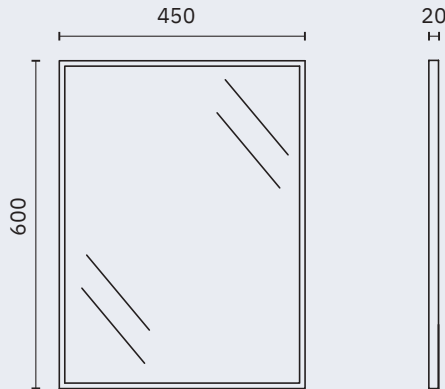


reflex

Material
Stainless steel AISI 304 Frame

Other sizes available on request

Finish
Satin (.S) Polished (.B) White (.W)



Mirror with frame

08050.S

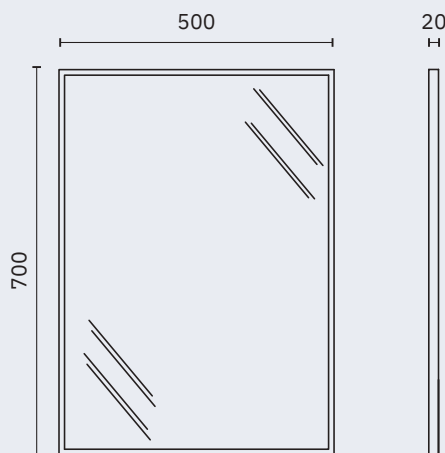
08050.B

08050.W

Folded frame

Dimensions
600 x 450 x 20 mm
1'-11 5/8 x 1'-5 3/4 x 3/4"

Thickness 3 mm



08051.S

08051.B

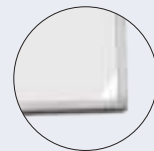
08051.W

Folded frame

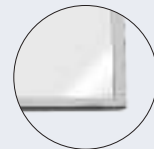
Dimensions
700 x 500 x 20 mm
2'-3 1/2" x 1'-7 3/4" x 3/4"

Thickness 3 mm

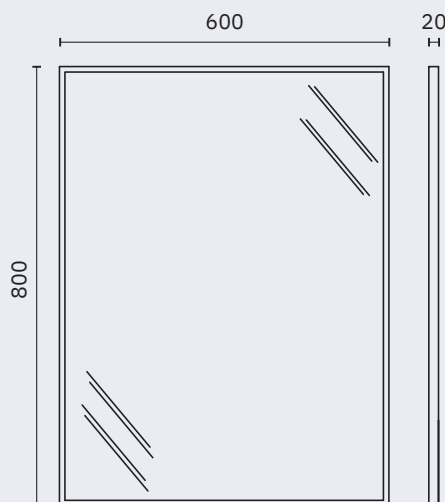
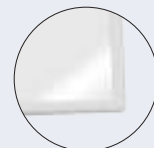
SATIN (.S)



POLISHED (.B)



WHITE (.W)



08052.S

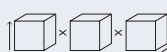
08052.B

08052.W

Folded frame

Dimensions
800 x 600 x 20 mm
2'-7 1/2" x 1'-5 3/4" x 3/4"

Thickness 3 mm



complements

Black colour toilet brush

Finish
Satin (.S) Polished (.B)
Black (.N)

SPARE PARTS:

Toilet Brush replacement black colour for models 09073, 09074, 09075 and 09077: 90425.K.

Toilet brush replacement black colour for models 09071 and 09076: 90426.K.

Toilet brush replacement black colour for models 09059: 90424.K.



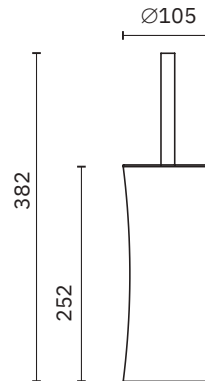
09078.S 09078.B

09078.N

Toilet brush holder

Material
Stainless steel

Dimensions
382 mm x Ø 105 mm. 1'-3" x Ø 4 1/4"

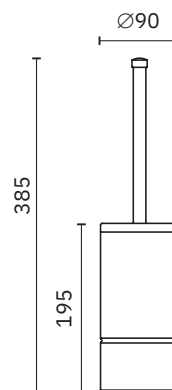


09071.S 09071.B

Toilet brush holder with wall bracket

Material
AISI 304 stainless steel

Dimensions
385 mm x Ø 90 mm
1'-3 1/8" x Ø 3 1/2"

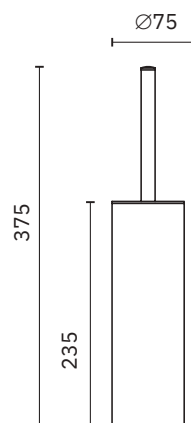


09073.S 09073.B

Toilet brush holder with wall bracket

Material
Stainless steel

Dimensions
375 mm x Ø 75 mm
1'-2 3/4" x Ø 3"

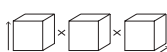
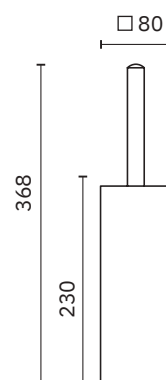


09074.S 09074.B

Toilet brush holder with wall bracket

Material
AISI 304 stainless steel

Dimensions
368 x 80 x 80 mm
1'-2 1/2" x 3 1/8" x 3 1/8"



complements

Toilet brush holder black colour

Finish

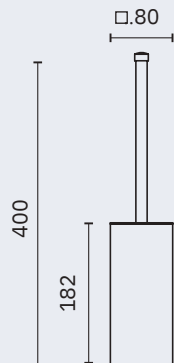
Satin (.S) Polished (.B)

SPARE PARTS:

Toilet Brush replacement black colour for models 09073, 09074, 09075 and 09077: 90425.K.

Toilet brush replacement black colour for models 09071 and 09076: 90426.K.

Toilet brush replacement black colour for models 09059: 90424.K.



09075.S

09075.B

Toilet brush holder with wall bracket

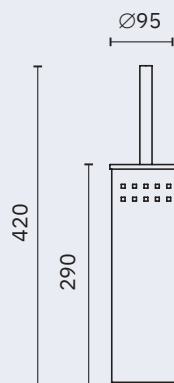
Material

AISI 304 stainless steel

Dimensions

400 x 80 x 80 mm

1'-3 3/4" x 3 1/8" x 3 1/8"



09076.S

09076.B

Toilet brush holder with wall bracket

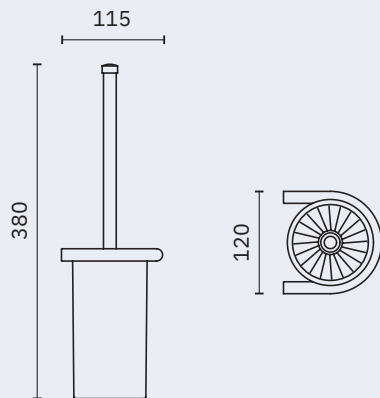
Material

Stainless steel

Dimensions

420 mm x \varnothing 95 mm

1'-4 1/2" x \varnothing 3 3/4"



09077.S

09077.B

Toilet brush holder with wall bracket

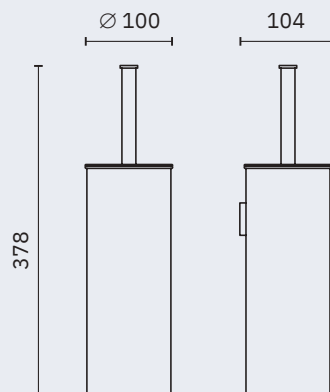
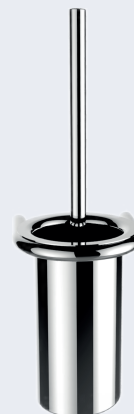
Material

AISI 304 stainless steel

Dimensions

380 x 120 x 115 mm

1'-3" x 4 3/4" x 4 1/2"



09059.S

09059.B

09059.N

Toilet brush holder with wall bracket

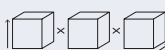
Material

Stainless steel

Dimensions

378 x 100 x 104 mm

1'-2 7/8" x 3 7/8" x 4 1/8"



complements

Finish
Polished (.B)

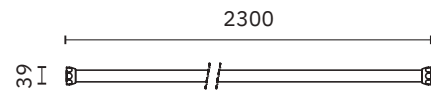


09039.230.A

Curtain rod with hidden screws

Material
Stainless steel tube.
Zinc alloy brackets

Dimensions
2300 mm, \varnothing 25,5 mm
7'-6 1/2", \varnothing 1"

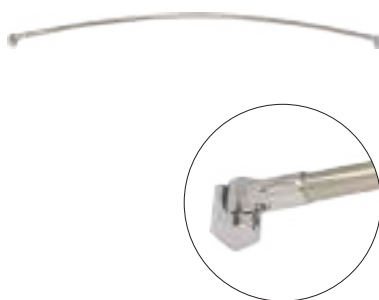
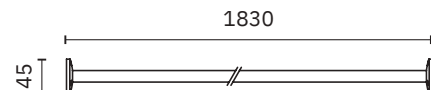


09039.183.B

Curtain rod with exposed screws

Material
Stainless steel

Dimensions
1830 mm, \varnothing 25,5 mm
6', \varnothing 1"

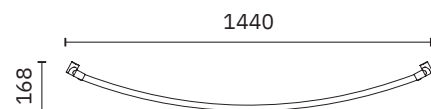


09040.152.B

Curved curtain rod with hidden screws

Material
Stainless steel tube.
Chrome-plated zinc alloy brackets

Dimensions
168 x 1440 x 26 mm
6 5/8" x 4'-8 3/4" x 1"

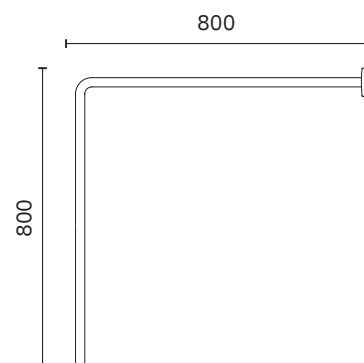


09042.B

Angular curtain rod with hidden screws

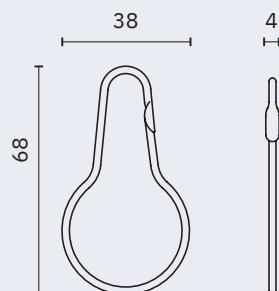
Material
Stainless steel

Dimensions
800 x 800 mm, \varnothing 25,5 mm
2'-7 1/2" x 2'-7 1/2" x 1"



complements

Finish
Polished (.B)

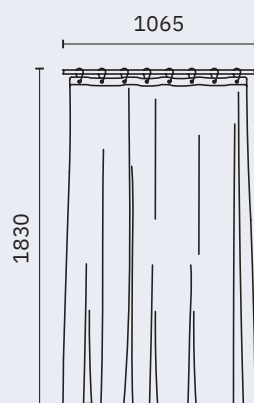


09043.B

Ring for shower curtain.
Pack 12 units

Material
Stainless steel

Dimensions
68 x 38 x 4 mm
2 5/8" x 1 1/2" x 1/8"

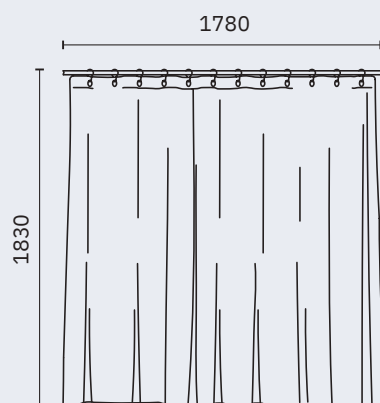


09051.106.V

Opaque shower curtain.
Anti-bacterial and anti-mold.
Equipped with 7 rings

Material
Vinyl

Dimensions
1830 x 1065 mm
6' x 3'- 5 7/8"

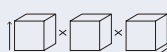


09051.178.V

Opaque shower curtain.
Anti-bacterial and anti-mold.
Equipped with 12 rings

Material
Vinyl

Dimensions
1830 x 1780 mm
6' x 5'- 10 1/8"



vanity

Finish
Polished (.B) Black (.N)



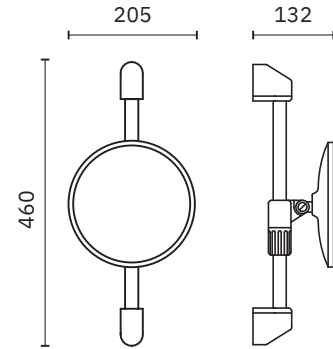
08012.B

Adjustable mirror height.
Vision without magnification

Material
Chrome-plated ABS

Mirror dimensions
Ø 190 mm. Ø 7 1/2"

Dimensions
460 x 205 x 132 mm
1'-6 1/8" x 8 1/8" x 5 1/4"



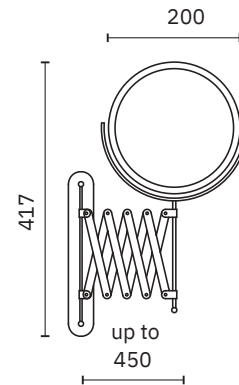
08007.B

Extendable mirror with two sides.
Normal vision and 2x

Material
Chrome-plated ABS

Mirror dimensions
Ø 140 mm. Ø 5 1/2"

Dimensions (extended)
417 x 450 mm. 1'-4 3/8" x 1'-5 3/4"



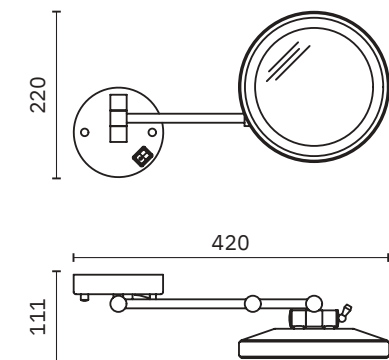
08006.B

Extendable mirror with 3x magnification.
With LED lighting

Material
Chromed brass and stainless steel

Mirror dimensions
Ø 200 mm. Ø 7 7/8"

Dimensions (extended)
220 x 420 x 111 mm
8 5/8" x 1'-4 1/2" x 4 3/8"



NEW



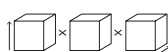
08006.N

Extendable mirror with 3x magnification.
With LED lighting

Material
Chromed brass and stainless steel

Mirror dimensions
Ø 200 mm. Ø 7 7/8"

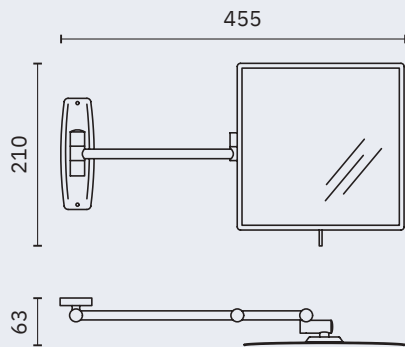
Dimensions (extended)
220 x 420 x 111 mm
8 5/8" x 1'-4 1/2" x 4 3/8"



vanity

Finish

Satin (.S) Polished (.B) Black (.N)



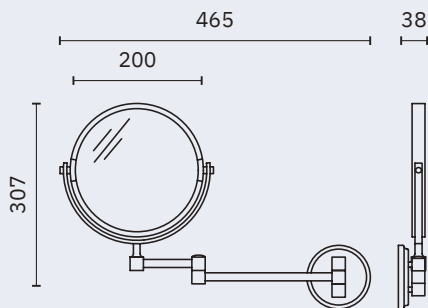
08015.B

Extendable square mirror.
Vision 3x

Material
Chrome-plated brass

Mirror dimensions
210 x 210 mm. 8 1/4" x 8 1/4"

Dimensions (extended)
210 x 455 x 63 mm
8 1/4" x 1'-5 7/8" x 2 1/2"



08009.2.B

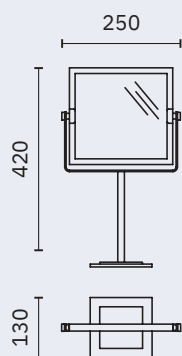
08009.2.N

Extendable mirror with two sides.
Normal vision and 5x

Material
Chrome-plated brass

Mirror dimensions
Ø 200 mm. Ø 7 7/8"

Dimensions (extended)
307 x 465 x 38 mm
1'-0 1/8" x 1'-6 1/4" x 1 1/2"



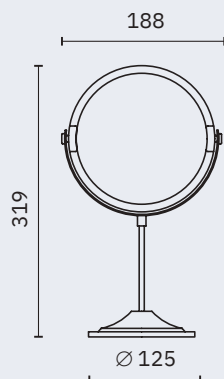
08005.B

Magnifying mirror.
Normal vision and 3x

Material
Chrome-plated brass

Mirror dimensions
180 x 180 mm. 7 1/8" x 7 1/8"

Dimensions
420 x 250 x 130 mm. 1'-4 1/2" x 9 7/8" x 5 1/8"



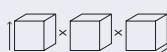
08004.B

Magnifying mirror.
Normal vision and 3x

Material
Steel

Mirror dimensions
Ø 172 mm. Ø 6 3/4"

Dimensions
319 x 188 x 125 mm. 1'-0 1/2" x 7 3/8" x 4 7/8"



coat stands

Material
Epoxy painted steel

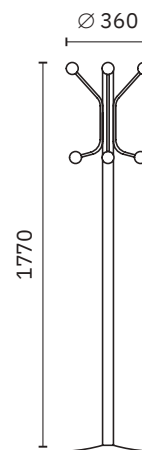
Colour
Silver grey



14178.P

Coat stand with 8 chrome plated hangers and metal stand.

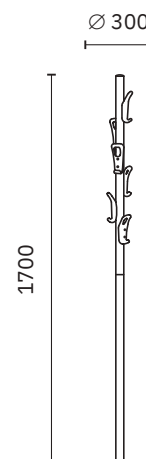
Dimensions
1770 height, \varnothing 360 mm
5'-6 1/8", \varnothing 1'-2 1/8"



14173.N

Coat stand with six ABS hangers.
Black colour

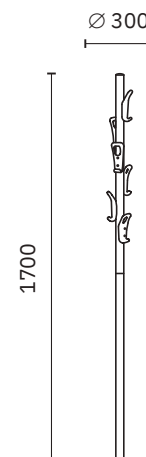
Dimensions
1700 height, \varnothing 300 mm
5'-6 7/8", \varnothing 11 3/4"



14173.P

Coat stand with six ABS hangers.
Grey colour

Dimensions
1700 height, \varnothing 300 mm
5'-6 7/8", \varnothing 11 3/4"









bins without cover

Material
AISI 304 stainless steel

Finish
Satin (.S) White (.W)

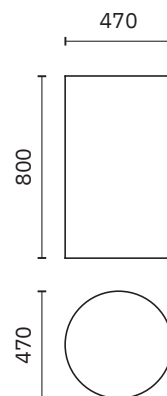


14073.SC.S

Bin without lid or inner containers

Dimensions
800 mm, Ø 470 mm
2'-7 1/2", Ø 1'-6 1/2"

Capacity
150 litres



Bin without lid or inner containers

14071.80.SC.S

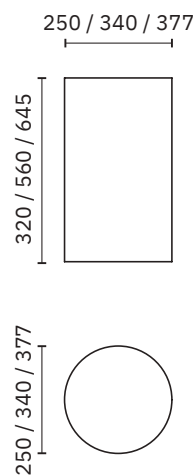
Dimensions
645 mm, Ø 377 mm
2'-1 3/8", Ø 1'-2 7/8"

Capacity
80 litres

14071.50.SC.S

Dimensions
560 mm, Ø 340 mm
1'-10", Ø 1'-1 3/8"

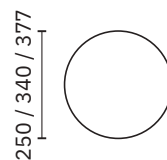
Capacity
50 litres



14071.15.SC.S

Dimensions
320 mm, Ø 250 mm
1'-0 5/8", Ø 9 7/8"

Capacity
15 litres

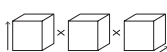
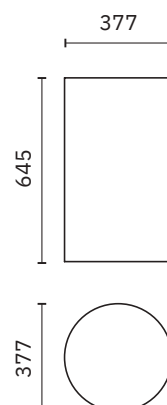


14071.SC.W

Bin without lid or inner containers

Dimensions
645 mm, Ø 377 mm
2'-1 3/8", Ø 1'-2 7/8"

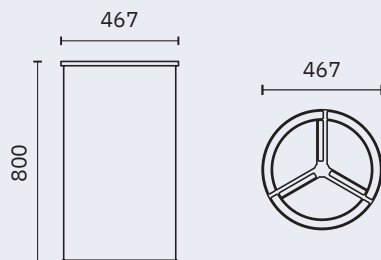
Capacity
80 litres



bins with cover

Material
AISI 304 stainless steel

Finish
Satin (.S)



14048.CI.S

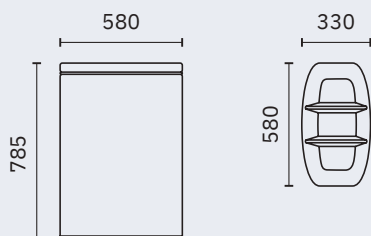
High capacity recycling bin with three buckets and cover

Dimensions
800 mm, Ø 467 mm
2'-7 1/2", Ø 1'-6 1/4"

Capacity
Each inner container is 42 litres



NEW



14100.S

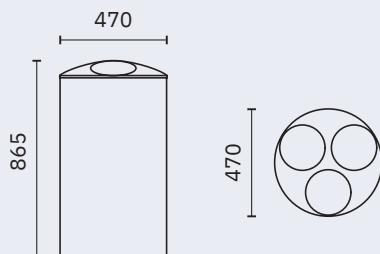
High capacity recycling bin with three buckets and cover

Dimensions
785 x 580 x 330 mm
2'-6 7/8" x 1'-10 7/8" x 1'-1"

Capacity
Each inner container is 30 litres



NEW



14073.S

Panited galvanized steel waste bin for recycling with three individual inner containers

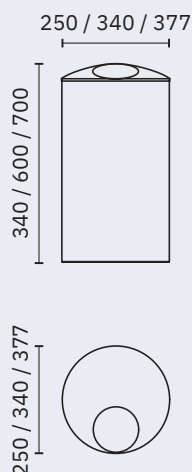
Cover finish
Polished

Dimensions
865 mm, Ø 470 mm
2'-10", Ø 1'-6 1/2"

Capacity
150 litres



Bin with cover. Cover finish: Polished



14071.80.S

Dimensions
700 mm, Ø 377 mm
2'-3 1/2", Ø 1'-2 7/8"

Capacity
80 litres

14071.50.S

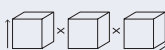
Dimensions
600 mm, Ø 340 mm
1'-11 5/8", Ø 1'-1 3/8"

Capacity
50 litres

14071.15.S

Dimensions
340 mm, Ø 250 mm
1'-1 3/8", Ø 9 7/8"

Capacity
15 litres





◀ TENNIS
COURTS



bins without cover

Material
AISI 304 stainless steel

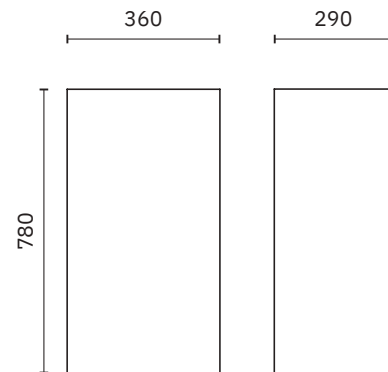
Finish
Polished (.B)



14075.80.SC.B

Dimensions
780 x 360 x 290 mm
2'-6 3/4" x 1'-2 1/8" x 11 3/8"

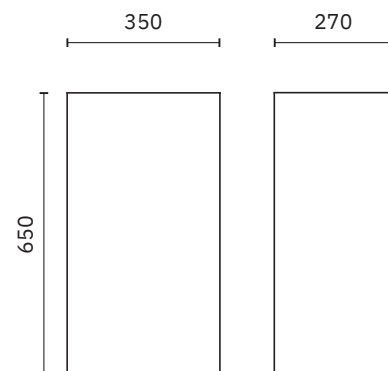
Capacity
80 litres



14075.65.SC.B

Dimensions
650 x 350 x 270 mm
2'-1 5/8" x 1'-1 3/4" x 10 5/8"

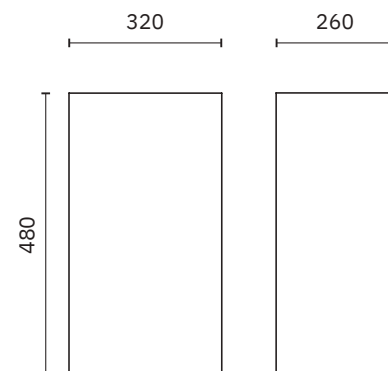
Capacity
65 litres



14075.40.SC.B

Dimensions
480 x 320 x 260 mm
1'-6 7/8" x 1'-0 5/8" x 10 1/4"

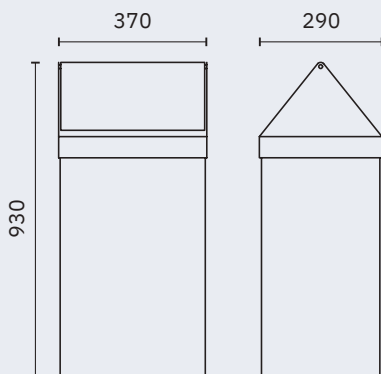
Capacity
40 litres



bins with cover

Material
AISI 304 stainless steel

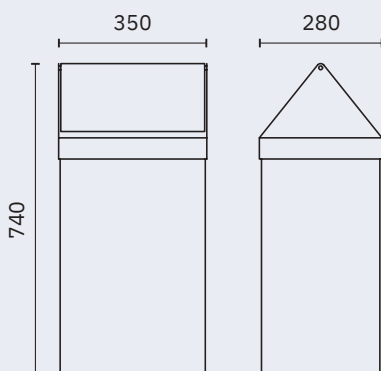
Finish
Polished (.B)



14075.80.B

Dimensions
930 x 370 x 290 mm
3'-0 5/8" x 1'-2 5/8" x 11 3/8"

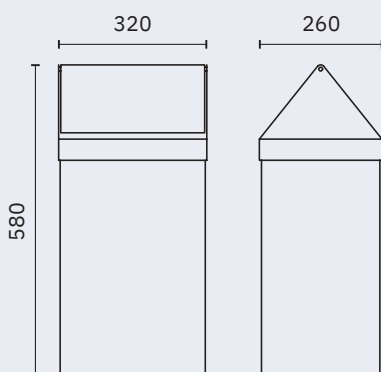
Capacity
80 litres



14075.65.B

Dimensions
740 x 350 x 280 mm
2'-5 1/8" x 1'-1 3/4" x 11"

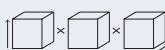
Capacity
65 litres



14075.40.B

Dimensions
580 x 320 x 260 mm
1'-10 7/8" x 1'-0 5/8" x 3'-0 5/8"

Capacity
40 litres



bins with cover

Material
AISI 304 stainless steel

Finish
Satin (.S) Polished (.B) White (.W)

Colour chart



NEW



Waste bin with swing cover

14113.40.S

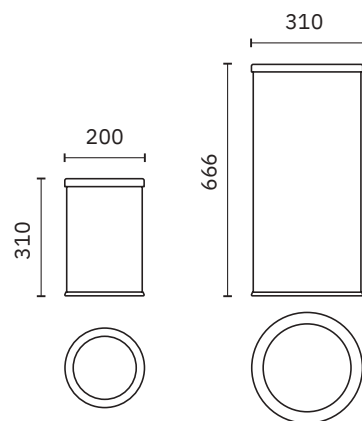
Dimensions
666 mm, Ø 310 mm
2'-2 1/4", Ø 1'-0 1/4"

Capacity
40 litres

14113.10.S

Dimensions
310 mm, Ø 200 mm
1'-0 1/4", Ø 7 7/8"

Capacity
10 litres



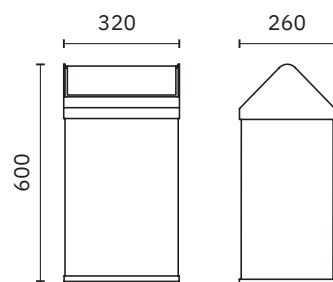
14118.2.W

Material
Painted steel
(see colour chart)



Dimensions
600 x 320 x 260 mm
1'-11 5/8" x 1'-0 5/8" x 10 1/4"

Capacity
40 litres

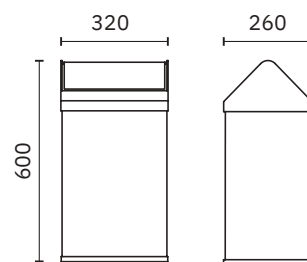


14118.S

Material
Stainless steel

Dimensions
600 x 320 x 260 mm
1'-11 5/8" x 1'-0 5/8" x 10 1/4"

Capacity
40 litres



NEW



Push-open bin

14114.35.B

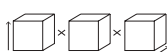
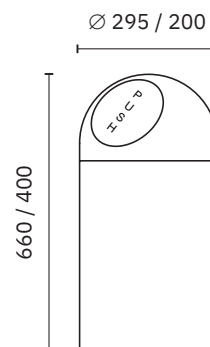
Dimensions
660 mm, Ø 295 mm
2'-2", Ø 11 5/8"

Capacity
35 litres

14114.10.B


Dimensions
400 mm, Ø 200 mm
1'-3 3/4", Ø 7 7/8"

Capacity
10 litres

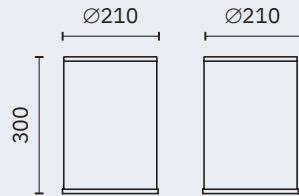


bins

Finish
Satin (.S) White (.W)

 Colour chart

 White  Beige  Red  Bordeaux  Blue
 Dark green  Green  Grey  Rust  Black

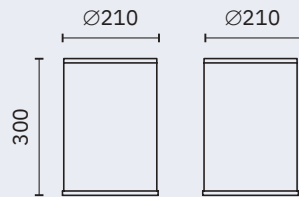


14082.2.W

Material
Painted steel
(see colour chart)

Dimensions
300 mm height, Ø 210 mm.
11 3/4", Ø 8 1/4"

Capacity
12 litres

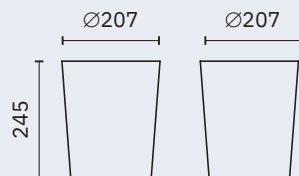


14096.2.S

Material
Stainless steel

Dimensions
300 mm Ø 210 mm.
11 3/4", Ø 8 1/4"

Capacity
10 litres



14097.S

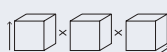
Material
Stainless steel

Dimensions
245 mm, Ø 207 mm
9 5/8", Ø 8 1/8"

Capacity
10 litres



NEW



hygienic pedal bins

Hygienic pedal bin. Inner plastic bucket with handle.

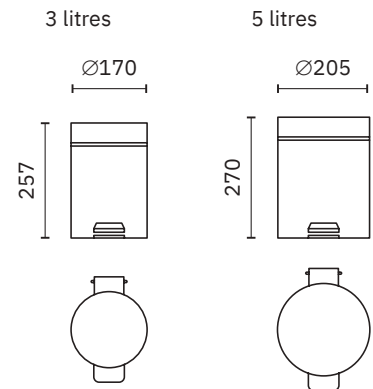
Material
Stainless steel for .S, .B and .N finishes
Steel for .W

Finish
Satin (.S) Polished (.B) Black (.N) White (.W)

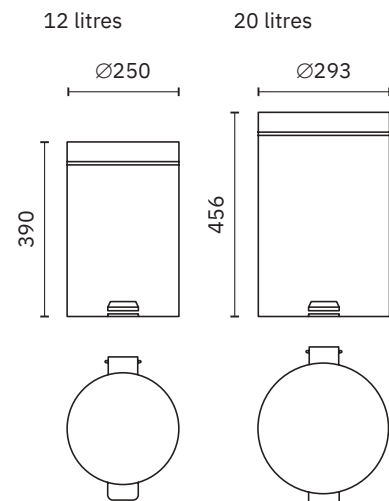
Capacity	Dimensions
3 litres	257 mm, Ø 170 mm. 10 1/8", Ø 6 3/4"
5 litres	270 mm, Ø 205 mm. 10 5/8", Ø 8 1/8"
12 litres	390 mm, Ø 250 mm. 1'-3 3/8", Ø 9 7/8"
20 litres	456 mm, Ø 293 mm. 1'-6", Ø 11 1/2"
30 litres	650 mm, Ø 293 mm. 2'-1 5/8", Ø 11 1/2"



09100.03.S	09100.05.S
09100.12.S	09100.20.S
09100.30.S	



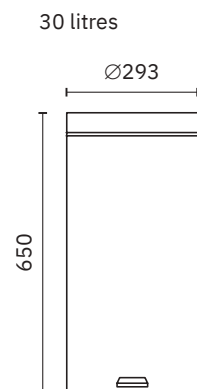
09100.03.B	09100.05.B
09100.12.B	09100.20.B
09100.30.B	



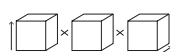
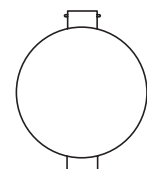
NEW



09100.03.N	09100.05.N
09100.12.N	



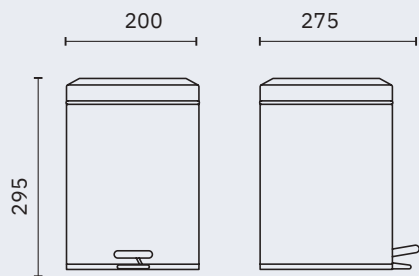
09100.03.W	09100.05.W
09100.12.W	



hygienic pedal bins

Material
Stainless steel. Inner plastic bucket with handle.

Finish
Satin (.S) Polished (.B)



09111.06.S

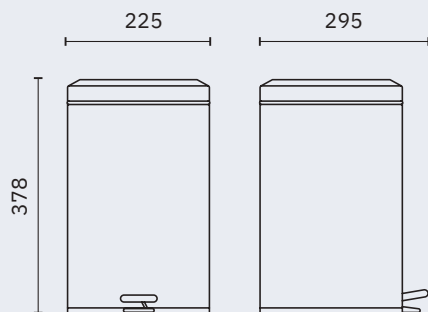
09111.06.B

Dimensions
295 x 200 x 275 mm
11 5/8" x 7 7/8" x 10 7/8"

Capacity
6 litres



NEW

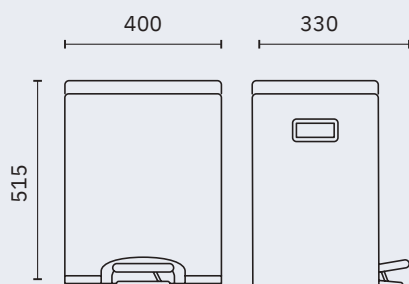


09111.12.S

09111.12.B

Dimensions
378 x 225 x 295 mm
1'-2 7/8" x 8 7/8" x 11 5/8"

Capacity
12 litres



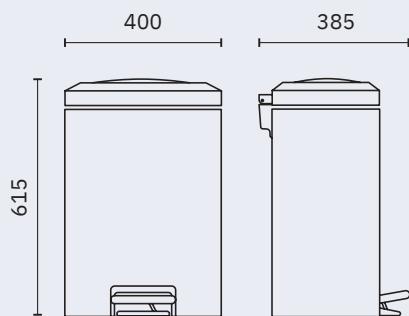
09112.S

Dimensions
515 x 400 x 330 mm
1'-8 1/4" x 1'-3 3/4" x 1'-1"

Capacity
30 litres



NEW



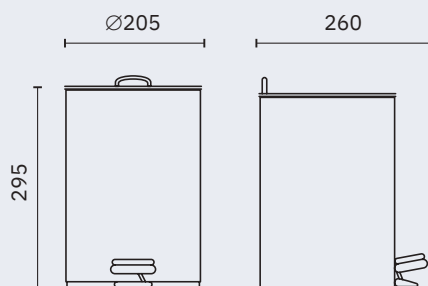
09113.S

Dimensions
615 x 400 x 385 mm
2'-0 1/4" x 1'-3 3/4" x 1'-3 1/8"

Capacity
32 litres



NEW



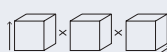
09114.S

Dimensions
295 x 205 x 260 mm
11 5/8" x 8 1/8" x 10 1/4"

Capacity
5 litres



NEW



wall mounted bin

Material
 AISI 304 stainless steel
 White version epoxy painted steel

Finish
 Satin (.S) Polished (.B) White (.W)



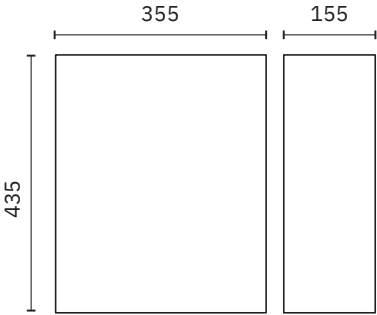
14077.S 14077.B

14077.W

Wall mounted bin without cover

Dimensions
 435 x 355 x 155 mm
 1'-5 1/8" x 1'-2" x 6 1/8"

Capacity
 23 litres



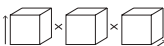
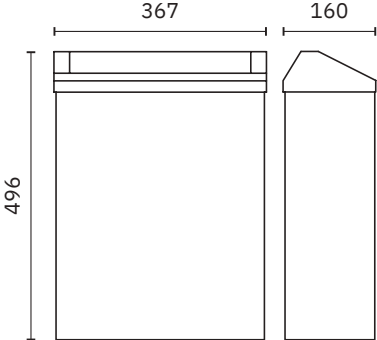
14078.S 14078.B

14078.W

Wall mounted bin with cover

Dimensions
 496 x 367 x 160 mm
 1'-7 1/2" x 1'-2 3/8" x 6 1/4"

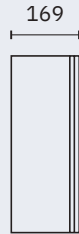
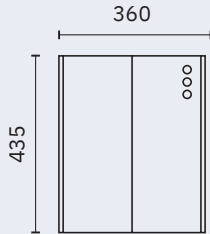
Capacity
 23 litres



wall mounted bins

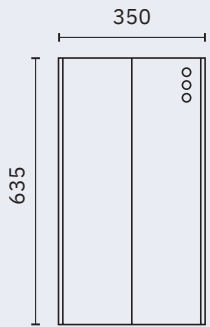
Material
AISI 304 stainless steel

Finish
Satin (.S)



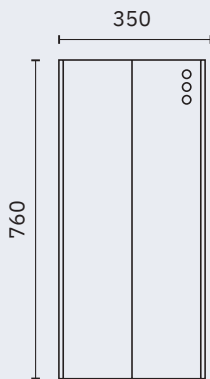
14077.EVO.S

Wall mounted bin
Dimensions
435 x 360 x 169 mm
1'-5 1/8" x 1'-2 1/8" x 6 5/8"
Capacity
23 litres



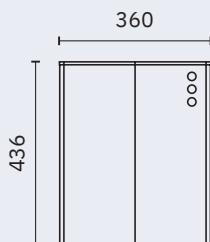
14077.65.EVO.S

Wall mounted bin
Dimensions
635 x 350 x 313 mm
2'-1" x 1'-1 3/4" x 1'-0 3/8"
Capacity
65 litres



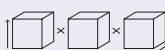
14077.80.EVO.S

Large capacity wall mounted bin
Dimensions
760 x 350 x 313 mm
2'-5 7/8" x 1'-1 3/4" x 1'-0 3/8"
Capacity
80 litres



14078.EVO.S

Wall mounted bin with cover
Dimensions
436 x 360 x 169 mm
1'-5 1/8" x 1'-2 1/8" x 6 5/8"
Capacity
23 litres



wall mounted bin

Finish
Satin (.S) Polished (.B) White (.W)

Capacity
23 litres

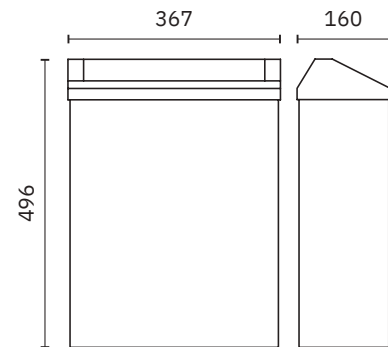


14079.S

Wall mounted bin with cover and pin tumbler lock

Material
AISI 304 stainless steel

Dimensions
496 x 367 x 160 mm
1'-7 1/2" x 1'-2 3/8" x 6 1/4"

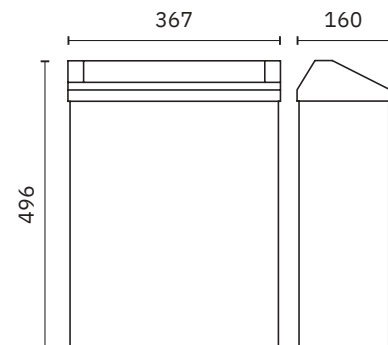


14079.B

Wall mounted bin with cover and pin tumbler lock

Material
AISI 304 stainless steel

Dimensions
496 x 367 x 160 mm
1'-7 1/2" x 1'-2 3/8" x 6 1/4"

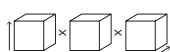
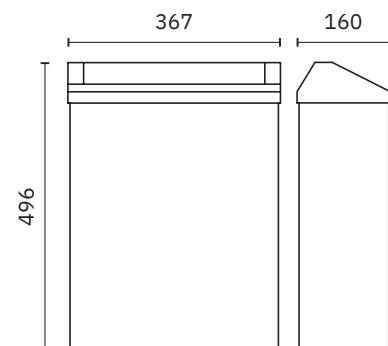


14079.W

Wall mounted bin with cover and pin tumbler lock

Material
Epoxy white painted stainless steel

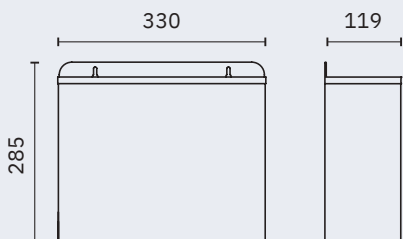
Dimensions
496 x 367 x 160 mm
1'-7 1/2" x 1'-2 3/8" x 6 1/4"



wall mounted bin

Finish
Satin (.S) White (.W)

Colour chart

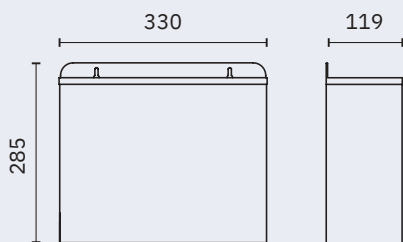


14098.2.S

Material
Stainless steel

Dimensions
285 x 330 x 120 mm
11 1/4" x 1'-1" x 4 5/8"

Capacity
11 litres



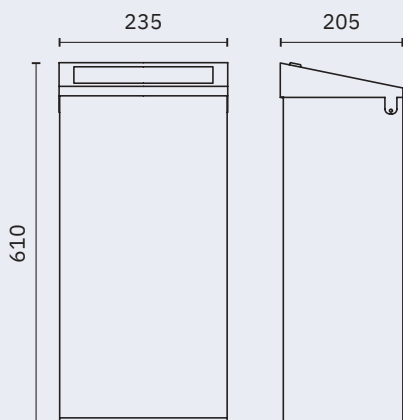
14098.2.W

Material
Painted steel
(see colour chart)



Dimensions
285 x 330 x 120 mm
11 1/4" x 1'-1" x 4 5/8"

Capacity
11 litres



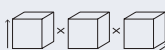
14188.2.S

Wall mounted bin with cover
and pin tumbler lock

Material
Stainless steel

Dimensions
610 x 285 x 205 mm
2' x 11 1/4" x 8 1/8"

Capacity
35 litres

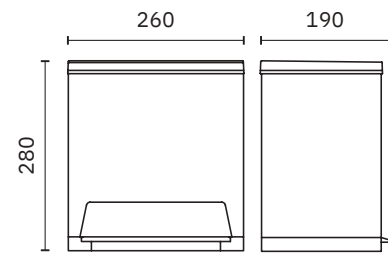


plastic containers



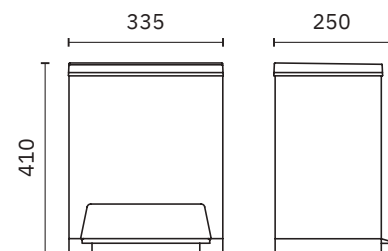
14025.W

With pedal
 Material
 White ABS
 Dimensions
 280 x 260 x 190 mm
 11" x 10 1/4" x 7 1/2"
 Capacity
 8 litres



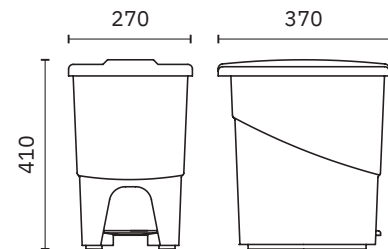
14026.W

With pedal
 Material
 White ABS
 Dimensions
 410 x 335 x 250 mm
 1'-4 1/8" x 1'-1 1/4" x 9 7/8"
 Capacity
 23 litres



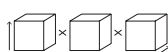
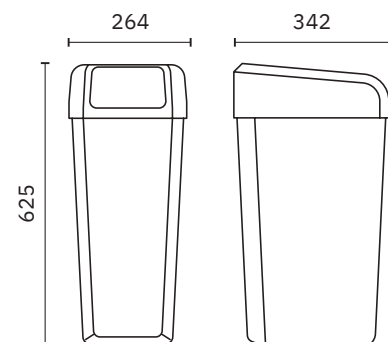
14018.W

With pedal
 Material
 Polypropylene
 White body with cover: white, blue, green or yellow
 Dimensions
 410 x 270 x 370 mm
 1'-4 1/8" x 10 5/8" x 1'-2 5/8"
 Capacity
 25 litres

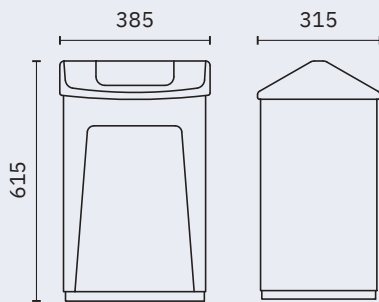


14024.GR

Tip open bin
 Material
 Grey polypropylene
 Dimensions
 625 x 264 x 342 mm
 2'-0 5/8" x 10 3/8" x 1'-1 1/2"
 Capacity
 45 litres



plastic containers



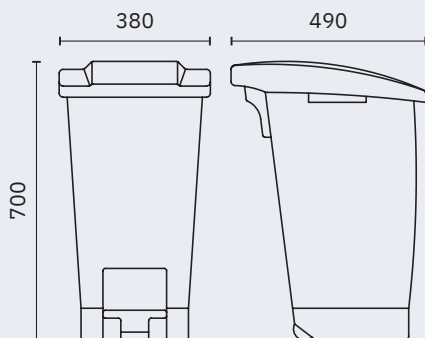
14027.W

Bin with cover

Material
White ABS

Dimensions
615 x 385 x 315 mm
2'-0 1/4" x 1'-3 1/8" x 1'-0 3/8"

Capacity
55 litres



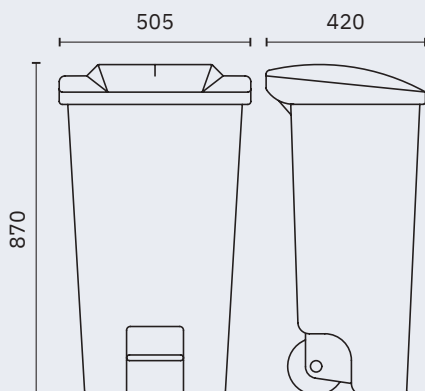
14019.W

With pedal

Material
Polyethylene
White body with white cover
Grey body with cover: blue,
green or yellow

Dimensions
700 x 380 x 490 mm
2'-3 1/2" x 1'-3" x 1'-7 1/4"

Capacity
60 litres



14020.W

With pedal, handle and wheels

Material
Polyethylene
White body with white cover.
Grey body with cover: blue,
green or yellow

Dimensions
870 x 505 x 420 mm
2'-10 1/4" x 1'-7 7/8" x 1'-4 1/2"

Capacity
120 litres



flush mounted waste paper bins

Material
AISI 304 stainless steel

Finish
Satin (.S)



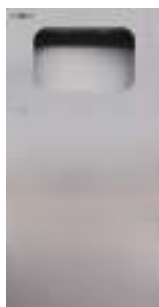
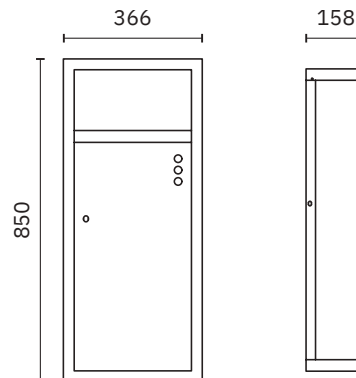
14103.S

Flush mounted waste paper bin

Dimensions
850 x 366 x 158 mm
2'-9 1/2" x 1'-2 3/8" x 6 1/4"

Rough wall opening dimensions
816 x 333 x 170 mm
2'-8 1/8" x 1'-1 1/8" x 6 3/4"

Capacity
21 litres



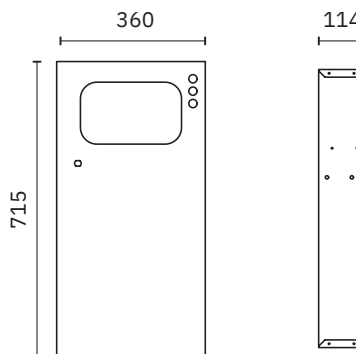
14106.P.S

Flush mounted waste paper bin

Dimensions
715 x 360 x 114 mm
2'-4 1/8" x 1'-2 1/8" x 4 1/2"

Rough wall opening dimensions
690 x 344 x 120 mm
2'-3 1/8" x 1'-1 1/2" x 4 3/4"

Capacity
16 litres



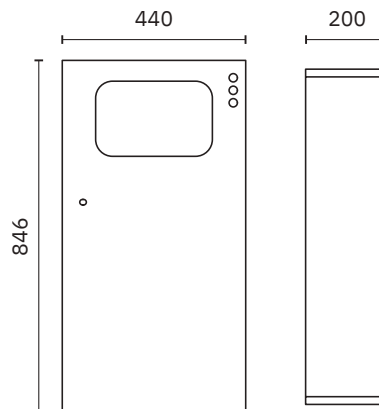
14104.P.S

Flush mounted waste paper bin

Dimensions
846 x 440 x 200 mm
2'-9 1/4" x 1'-5 3/8" x 7 7/8"

Rough wall opening dimensions
822 x 420 x 206 mm
2'-8 3/8" x 1'-4 1/2" x 8 1/8"

Capacity
38 litres



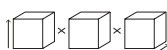
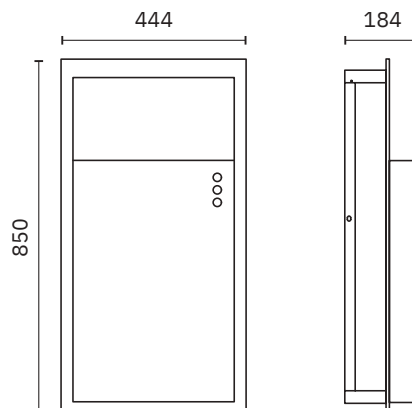
14102.S

Half-flush mounted wall waste paper bin

Dimensions
850 x 444 x 184 mm
2'-9 1/2" x 1'-5 1/2" x 7 1/4"

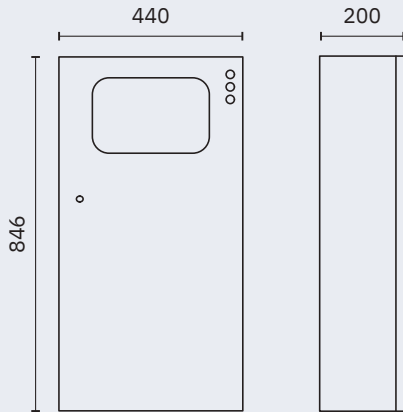
Rough wall opening dimensions
816 x 410 x 109 mm
2'-8 1/8" x 1'-4 1/8" x 4 1/4"

Capacity
38 litres



wall mounted waste paper bins and top rings

Finish
Satin (.S)



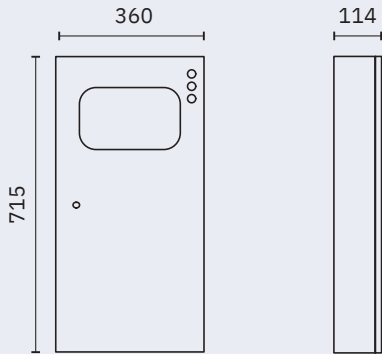
14105.S

Waste paper bin attached to wall

Material
AISI 304 stainless steel

Dimensions
846 x 440 x 200 mm
2'-9 1/4" x 1'-6 3/8" x 7 7/8"

Capacity
35 litres



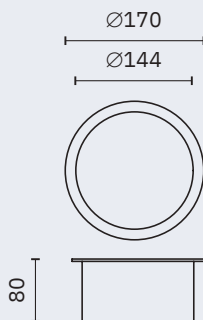
14107.S

Waste paper bin attached to wall

Material
AISI 304 stainless steel

Dimensions
715 x 360 x 114 mm
2'-4 1/8" x 1'-2 1/8" x 4 1/2"

Capacity
13 litres

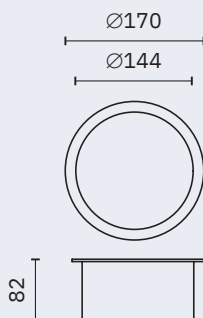


09008.S

Countertop trim with lid for below counter bins

Material
Stainless steel

Dimensions
80 mm height, Ø 170 mm
3 1/8", Ø 6 3/4"

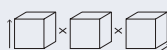


09009.S

Countertop trim for below counter bins

Material
Stainless steel

Dimensions
82 mm height, Ø 170 mm
3 1/4", Ø 6 3/4"



hygienic

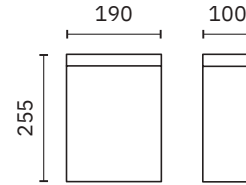
Finish
Satin (.S) White (.W)



09002.S

Material
Stainless steel

Dimensions
190 x 255 x 100 mm
7 1/2" x 10" x 3 7/8"



Capacity
5 litres

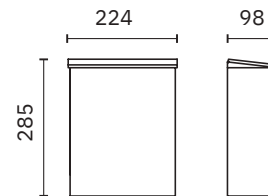


09004.S

Wall mounted bin with lid

Material
AISI 304 stainless steel

Dimensions
285 x 224 x 98 mm
11 1/4" x 8 7/8" x 3 7/8"



Capacity
5,7 litres

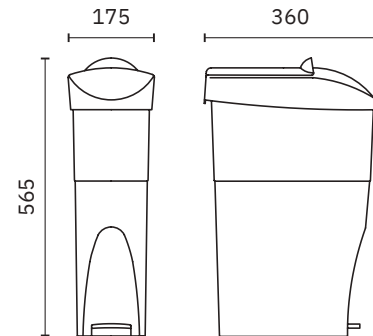


09007.2.W

Hygienic container with pedal and pivoting cover to protect content from view

Material
polypropylene and ABS

Dimensions Capacity
565 x 175 x 350 mm 20 litres
11-10 1/4" x 6 7/8" x 1'-1 3/4"



With pedal and inner bin

Material
Polypropylene
White body and blue bin

14022.W

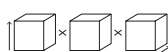
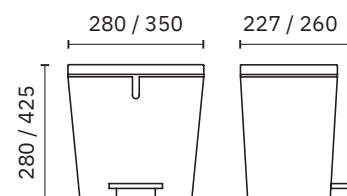
Dimensions
280 x 280 x 227 mm
11" x 11" x 9"

Capacity
8 litres

14022.25.W

Dimensions
425 x 350 x 260 mm
1'-4 3/4" x 1'-1 3/4" x 10 1/4"

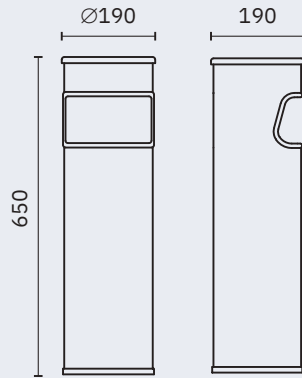
Capacity
25 litres



bins with ashtray and anti-flame bins

Finish
Satin (.S)

Colour chart



Bins with ashtray

Dimensions
645 x 190 x 190 mm
2'-1 3/8" x 7 1/2" x 7 1/2"

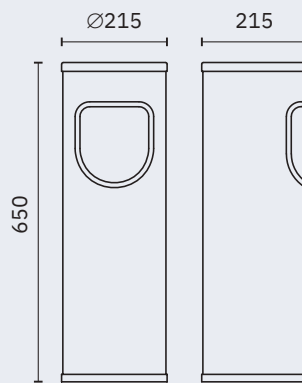
Capacity
24 litres

14124.2.W

14124.2.S

Material
Painted steel
(see colour chart)

Material
AISI 304 stainless steel



Bin with ashtray

Dimensions
650 mm height, Ø 215 mm
2'-1 5/8", Ø 8 1/2"

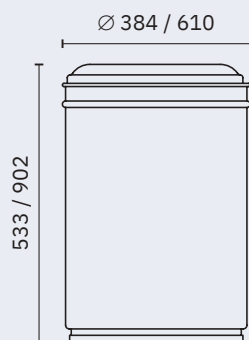
Capacity
15 litres

14122.2.W

14122.2.S

Material
Painted steel
(see colour chart)

Material
AISI 304 stainless steel



Flame retardant waste paper bin

Material
Grey painted steel

EJ0026612G

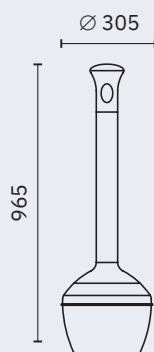
EJ0026655G

Dimensions
533 mm, Ø 384 mm
1'-9", Ø 1'-3 1/8"

Dimensions
902 mm, Ø 610 mm
2'-11 1/2", Ø 2'

Capacity
45 litres

Capacity
200 litres



EJ00268501

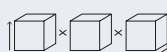
EJ00268502

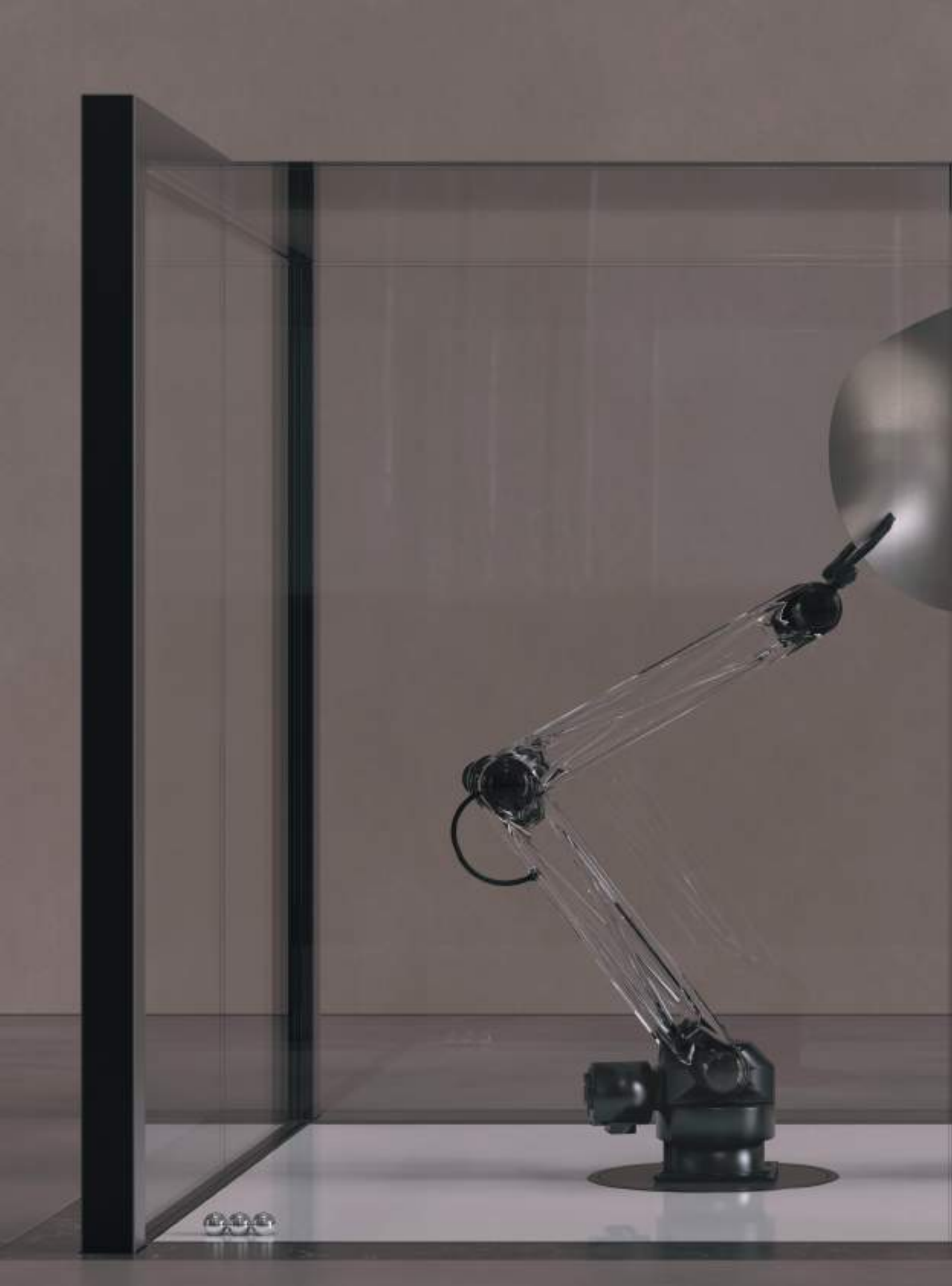
EJ00268503

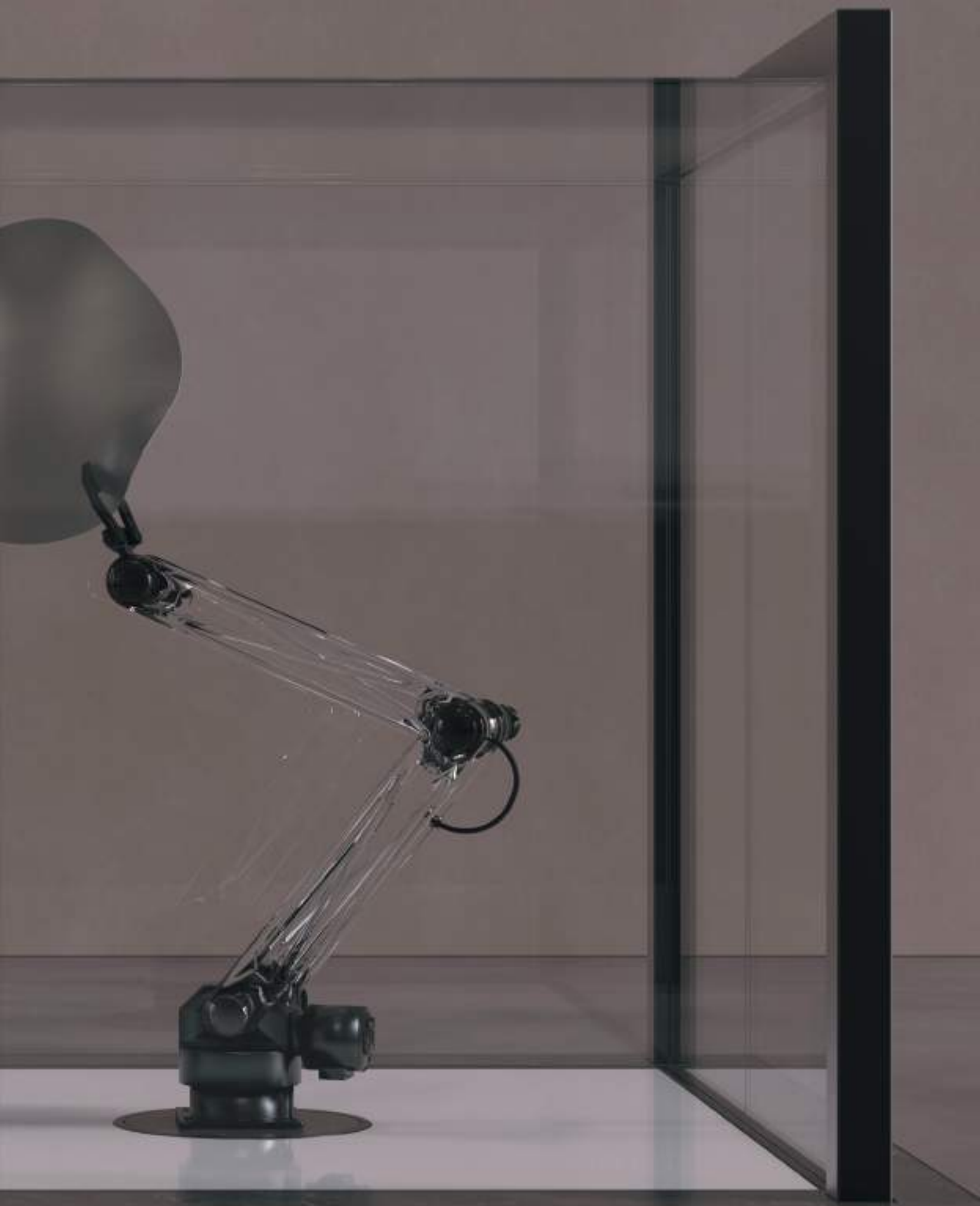
Outdoor cigarette butts container.
Steel inner bucket included

Material
Polyethylene

Dimensions
965 mm, Ø 305 mm
3'-2", Ø 1'







toilets

Material
AISI 304 stainless steel

Finish
Satin (.S) Polished (.B)




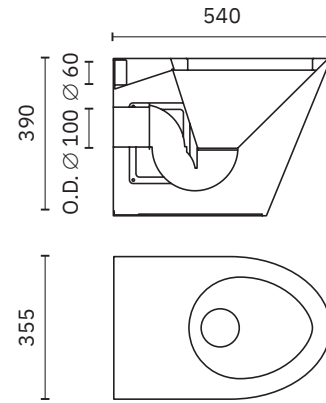
13012.S

13012.B

Floor mounted toilet, horizontal outlet

Dimensions
390 x 355 x 540 mm
1'-3 3/8" x 1'-2" x 1'-9 1/4"

 Covers (not included):
5000AR, 15029.S
See page 336



13013.S


13013.B

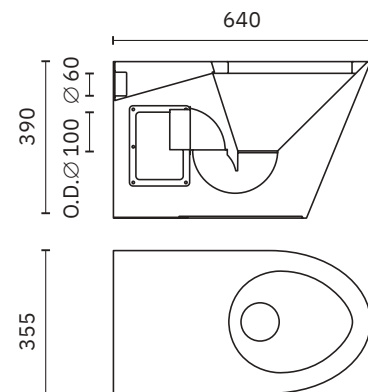
Floor mounted toilet

Horizontal outlet. Side horizontal outlet optional, 13112.K

Vertical outlet. Curved 90° outlet optional, 13111.K

Dimensions
390 x 355 x 640 mm
1'-3 3/8" x 1'-2" x 2'-1 1/4"

 Covers (not included):
5000AR, 15029.S
See page 336



13111.K

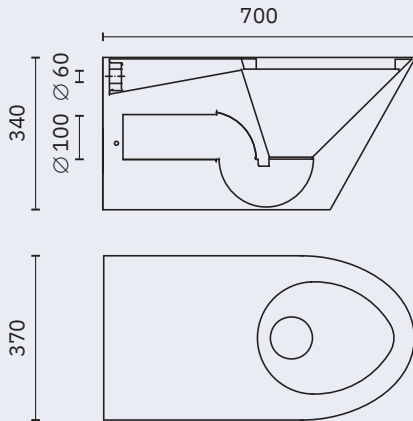


13112.K

toilets

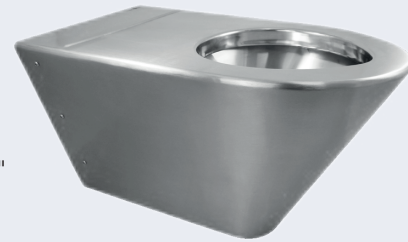
Material
AISI 304 stainless steel

Finish
Satin (.S) Polished (.B)



13011.S

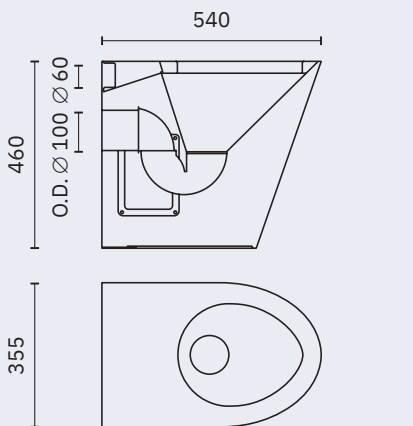
Wall hung toilet
Horizontal outlet
Dimensions
340 x 370 x 700 mm
1'-1 3/8" x 2'-3 1/2" x 1'-2 5/8"



NEW

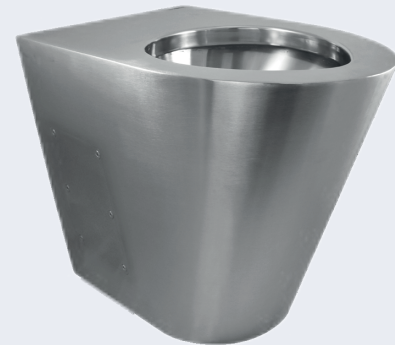


i Covers (not included):
5000AR, 15029.S
See page 336

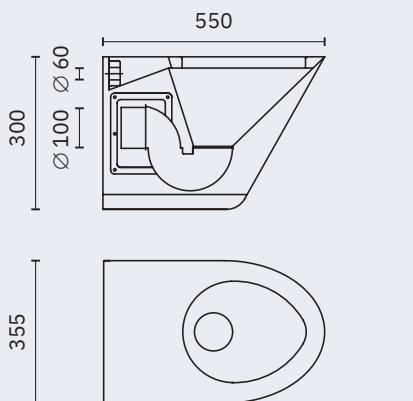


13012.M.S

13012.M.B
Floor mounted toilet, adapted
Horizontal outlet
Dimensions
460 x 335 x 540 mm
1'-6 1/8" x 1'-1 1/4" x 1'-9 1/4"

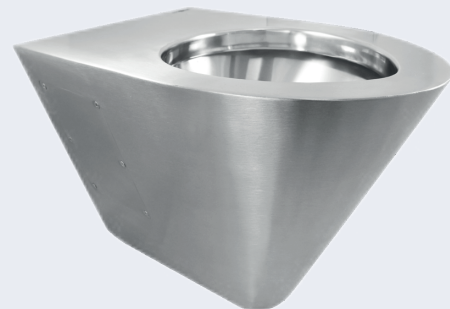


i Covers (not included):
5000AR, 15029.S
See page 336

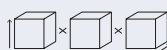


13018.S

13018.B
Wall hung toilet
Horizontal outlet
Dimensions
300 x 355 x 550 mm
1'-3" x 1'-2" x 1'-9 5/8"



i Covers (not included):
5000AR, 15029.S
See page 336



toilets

Finish
Satin (.S)

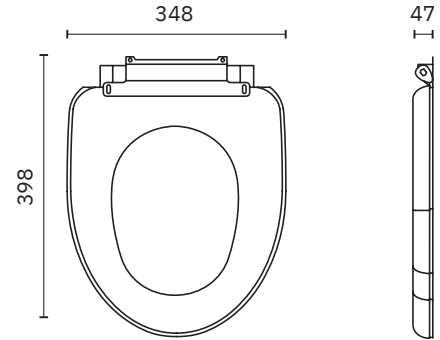


15029.S

Toilet seats with cover

Material
AISI 304 stainless steel

Dimensions
398 x 348 x 47 mm
1'-3 5/8" x 1'-1 5/8" x 1 7/8"

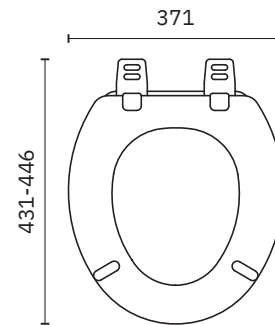


5000AR

Toilet seat with cover.
Universal adaptation

Material Colour
MDF White

Dimensions
431-446 x 371 mm
1'-5" - 1-5 5/8" x 1-2 5/8"

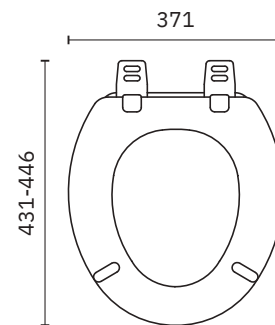


5000AR492

Toilet seat with cover.
Universal adaptation

Material Colour
MDF Grey Manhattan

Dimensions
431-446 x 371 mm
1'-5" - 1-5 5/8" x 1-2 5/8"

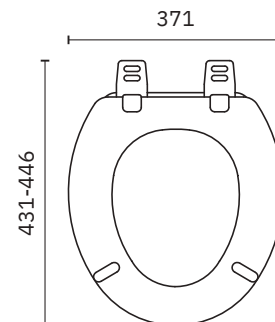


5000AR047

Toilet seat with cover.
Universal adaptation

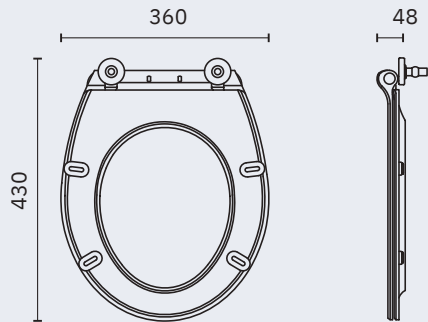
Material Colour
MDF Black

Dimensions
431-446 x 371 mm
1'-5" - 1-5 5/8" x 1-2 5/8"



toilets

Finish
White (.W)

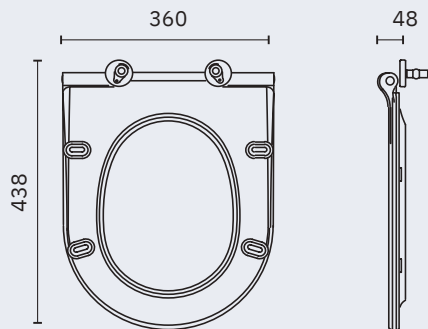


13147.W

Toilet seat. Slow lid fall

Material
Urea

Dimensions
48 x 360 x 430 mm
1 7/8" x 1'-2 1/8" x 1'-4 7/8"

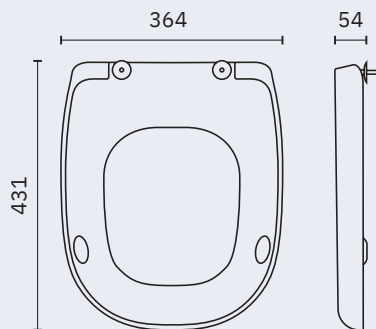


13148.W

Toilet seat. Slow lid fall

Material
Urea

Dimensions
48 x 360 x 438 mm
1 7/8" x 1'-2 1/8" x 1'-5 1/4"

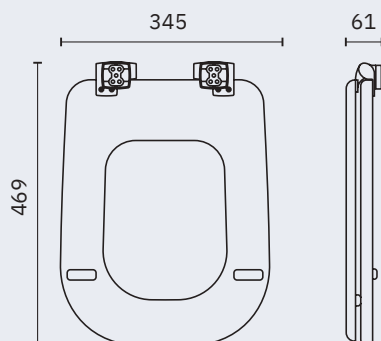


100360

Toilet seat

Material
Durolux plastic

Dimensions
54 x 364 x 431 mm
2 1/8" x 1'-2 3/8" x 1'-5"



3460CL000

Toilet seat

Material
Wood

Dimensions
61 x 345 x 469 mm
2 3/8" x 13 5/8" x 1'-6 1/2"



toilets / bidets

Material
AISI 304 stainless steel

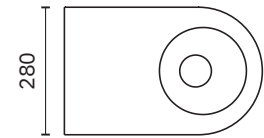
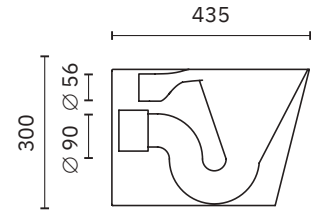
Finish
Satin (.S) Polished (.B) Black (.N)



13014.S

Child toilet
Horizontal outlet

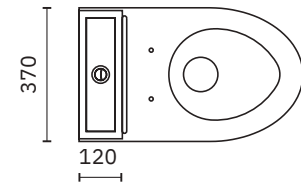
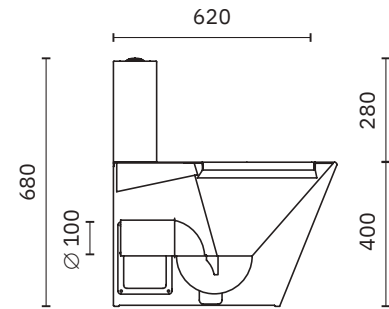
Dimensions
300 x 280 x 435 mm.
11 3/4" x 11" 1'-5 1/8" x 1'-5 1/8"



13016.S 13016.B

Toilet with dual flush cistern.
Horizontal water outlet. Horizontal connection optional 13112.K.
Vertical water outlet. Connection with 90° bend optional 13111.K.
Lateral water inlet (left or right side).
White PVC toilet cover included.

Dimensions
680 x 370 x 620 mm.
2'-2 3/4" x 1'-2 5/8" x 2'-0 3/8"



13111.K

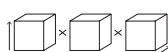
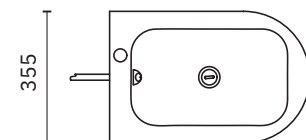
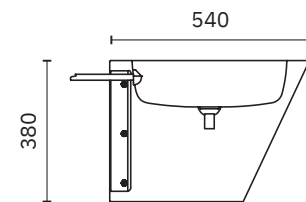


13112.K



13009.S

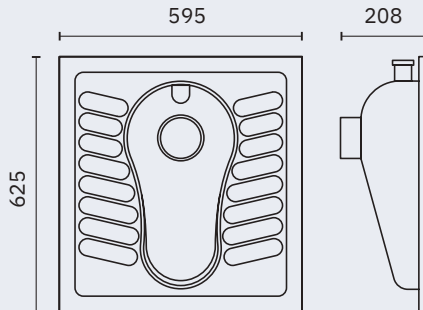
Wall-hung bidet
Dimensions
380 x 355 x 540 mm
1'-3" x 1'-9 1/4" x 1'-2"



squat floor trays

Material
AISI 304 stainless steel

Finish
Satin (.S) Polished (.B)

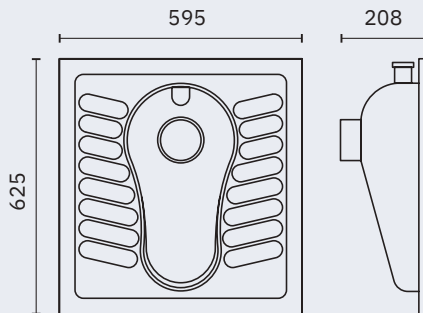


13023.B

Floor tray with spray nozzle and three water outlets

Dimensions
208 x 595 x 625 mm
8 1/4" x 1'-11 3/8" x 2'-0 5/8"

Outlet Thickness
Ø 100 mm 1,2 mm

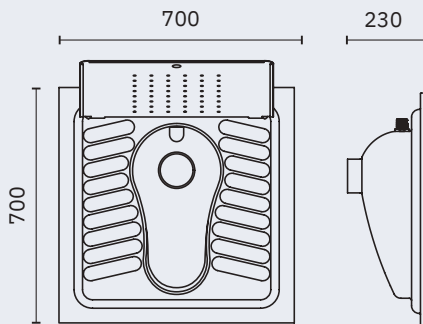


13021.B

Floor tray with spray nozzle and three water outlets

Dimensions
208 x 595 x 625 mm
8 1/4" x 1'-11 3/8" x 2'-0 5/8"

Outlet Thickness
Ø 100 mm 1 mm

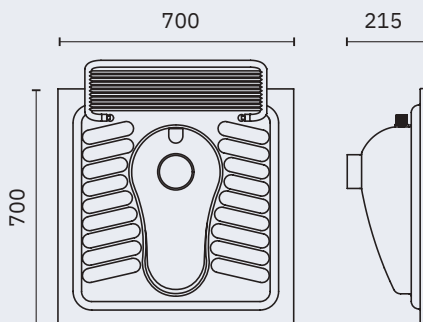
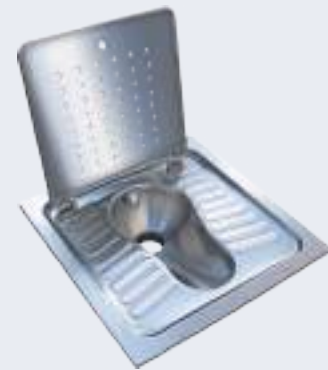


13022.SH

Floor tray with spray nozzle

Dimensions
230 x 700 x 700 mm
9" x 2'-3 1/2" x 2'-3 1/2"

Outlet Thickness
Ø 100 mm 1,2 mm



13022.RJ

Floor tray with spray nozzle

Dimensions
215 x 700 x 700 mm
8 1/2" x 2'-3 1/2" x 2'-3 1/2"

Outlet Thickness
Ø 100 mm 1,2 mm



urinals

Material
AISI 304 stainless steel

Finish
Satin (.S) Polished (.B)

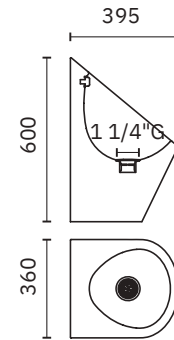


13004.S

13004.B

Urinal for hidden flushing systems

Dimensions
600 x 360 x 395 mm
1'-11 5/8" x 1'-2 1/8" x 1'-3 1/2"

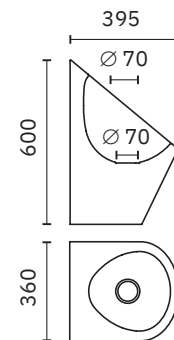


13004.70.S

13004.70.B

Waterless urinal

Dimensions
600 x 360 x 395 mm
1'-11 5/8" x 1'-2 1/8" x 1'-3 1/2"



06028.B

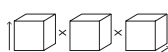
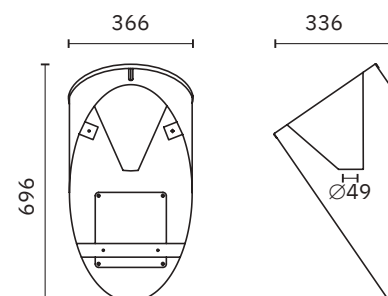
Waterless valve included



13002.B

Urinal for surface mounted flushing systems

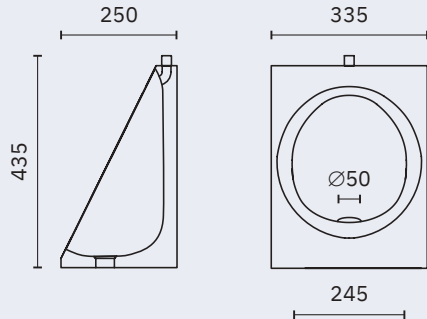
Dimensions
696 x 366 x 336 mm
2'-3 1/4" x 1'-2 1/8" x 1'-1 1/4"



urinals

Material
AISI 304 stainless steel

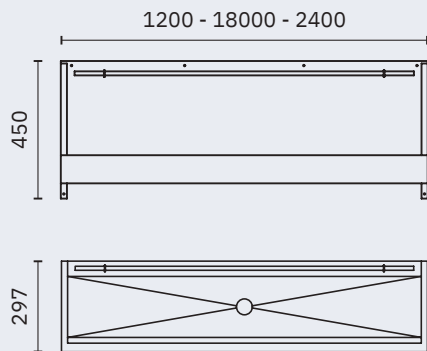
Finish
Satin (.S)



13006.S

Urinal for surface mounted flushing systems

Dimensions
435 x 335 x 250 mm
1'-5 1/8" x 1'-1 1/4" x 9 7/8"



13003.12.S

Urinal trough for 2 users

Dimensions
450 x 1200 x 297 mm
1'-5 3/4" x 3'-11 1/4" x 11 3/4"

13003.18.S

Urinal trough for 3 users

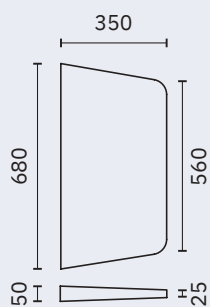
Dimensions
450 x 1800 x 297 mm
1'-5 3/4" x 5'-10 7/8" x 11 3/4"



13003.24.S

Urinal trough for 4 users

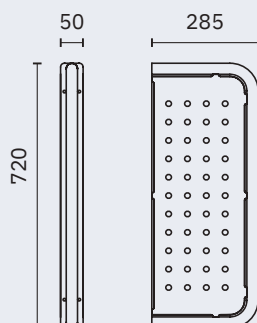
Dimensions
450 x 2400 x 297 mm
1'-5 3/4" x 7'-10 1/2" x 11 3/4"



13007.S

Smooth plate urinal divider

Dimensions
560 x 50 x 350 mm
1'-10" x 2" x 1'-1 3/4"



13008.S

Perforated plate urinal divider

Dimensions
720 x 50 x 285 mm
2'-4 3/8" x 2" x 11 1/4"



shower trays

Material
AISI 304 stainless steel

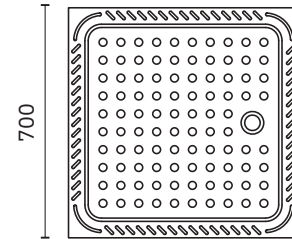
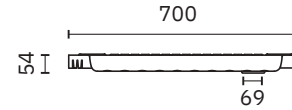
Vandal proof
Non-slip texture

Finish
Satin (.S)



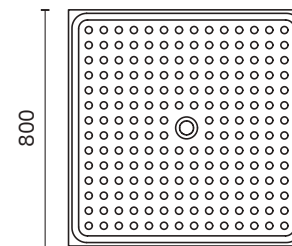
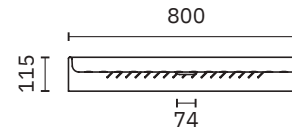
13054.2.S

Dimensions
54 x 700 x 700 mm
2 1/8" x 2'-3 1/2" x 2'-3 1/2"



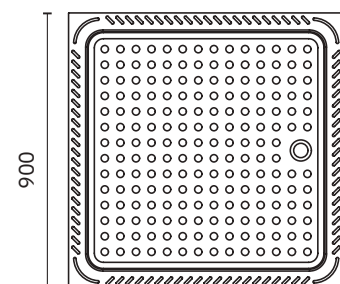
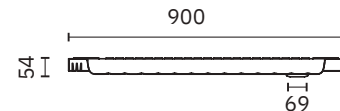
13055.2.S

Dimensions
115 x 800 x 800 mm
4 1/2" x 2'-7 1/2" x 2'-7 1/2"



13056.2.S

Dimensions
54 x 900 x 900 mm
2 1/8" x 2'-11 3/8" x 2'-11 3/8"



CHILD BATHTUBE

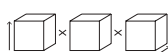
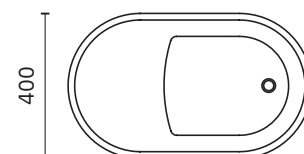
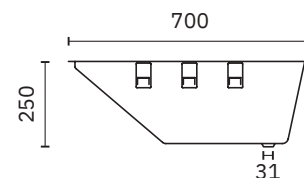


13058.2.S

Material
AISI 304 stainless steel

Finish
Satin

Dimensions
250 x 700 x 400 mm
9 7/8" x 2'-3 1/2" x 1'-3 3/4"



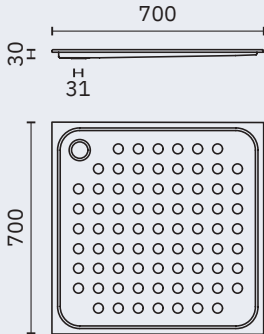


shower trays

Material
AISI 304 stainless steel

Vandal proof
Non-slip texture
Flush installation

Finish
Satin (.S)

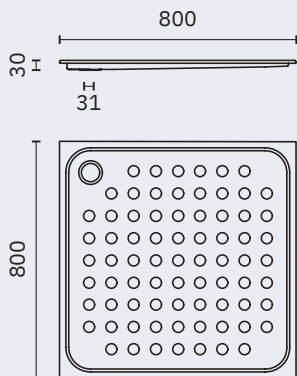


13052.70.S

Dimensions
30 x 700 x 700 mm
1 1/8" x 2'-3 1/2"



NEW

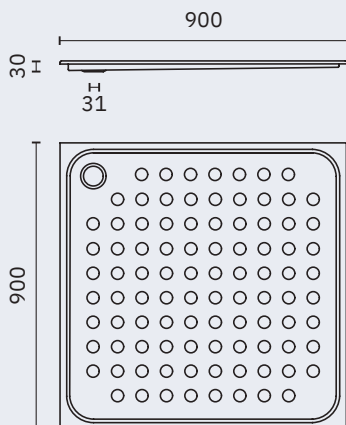


13052.80.S

Dimensions
30 x 800 x 800 mm
2'-7 1/2" x 2'-7 1/2"



NEW

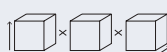


13052.90.S

Dimensions
30 x 900 x 900 mm
30 x 2'-11 3/8" x 2'-11 3/8"



NEW



pedestal washbasins with faucet

Material
AISI 304 stainless steel

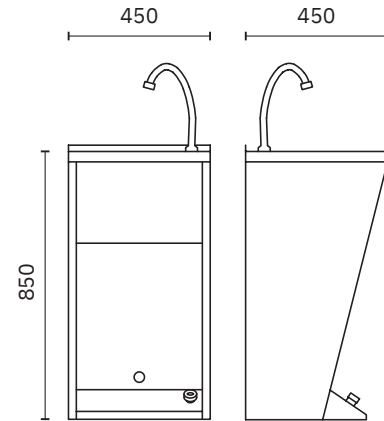
Finish
Satin (.S)



13044.2.S

Washbasin with frontal inspection lid.
One water self closing faucet.
Non-return valve included.

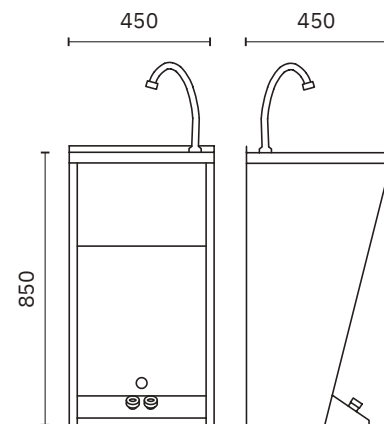
Dimensions
850 x 450 x 450 mm
2'-9 1/2" x 1'-5 3/4" x 1'-5 3/4"



13045.2.S

Washbasin with frontal inspection lid.
Self closing mixer with double push
button: cold / hot.

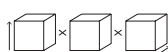
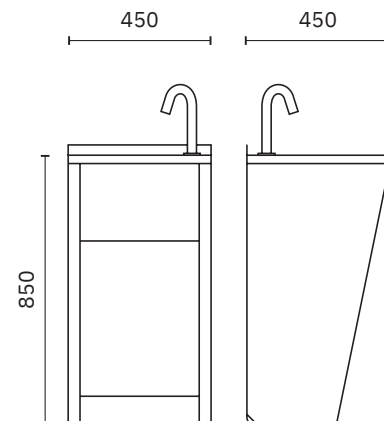
Dimensions
850 x 450 x 450 mm
2'-9 1/2" x 1'-5 3/4" x 1'-5 3/4"



13044.BAT

Washbasin with frontal inspection lid.
Self closing faucet operated by
electronic sensor (battery powered).
Non-return valve included.

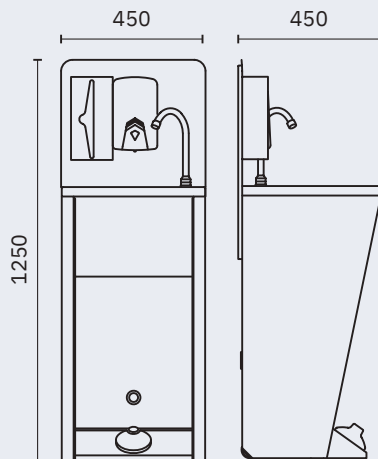
Dimensions
850 x 450 x 450 mm
2'-9 1/2" x 1'-5 3/4" x 1'-5 3/4"



pedestal washbasins with faucet

Material
AISI 304 stainless steel

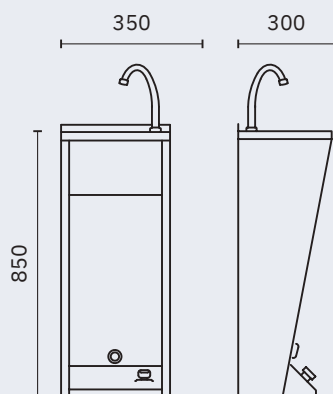
Finish
Satin (.S)



13044.MOV

Mobile and autonomous hand washbasin with frontal inspection lid. With hydraulic push button. No need to connect with water, drain pipe or electrics. Soap dispenser, tissue dispenser, waste bin and faucet included.

Dimensions
1250 x 450 x 450 mm
4'-1 1/4" x 1'-5 3/4" x 1'-5 3/4"



13044.MINI

Extra-small washbasin with frontal inspection lid. Self closing one water faucet with push button. Equipped with no-return mixing valve and bin.

Dimensions
850 x 350 x 300 mm
2'-9 1/2" x 1'-1 3/4" x 11 3/4"



built-in countertop sinks

Material
AISI 304 stainless steel

Finish
Satin (.S) Polished (.B)



13028.S

13028.B

WASHBASIN WITHOUT OVERFLOW HOLE

Dimensions

∅ int. 260 mm, ∅ ext. 305 mm, Height 110 mm
∅ int. 10 1/4", ∅ ext. 1', Height 4 3/8"

13029.S

13029.B

WASHBASIN WITHOUT OVERFLOW HOLE

Dimensions

∅ int. 310 mm, ∅ ext. 352 mm, Height 133 mm
∅ int. 1'-0 1/4", ∅ ext. 1'-1 7/8", Height 5 1/4"

13030.S

13030.B

WASHBASIN WITHOUT OVERFLOW HOLE

Dimensions

∅ int. 355 mm, ∅ ext. 405 mm, Height 152 mm
∅ int. 1'-2", ∅ ext. 1'-4", Height 6"

13028.RS

13028.RB

WASHBASIN WITH OVERFLOW

Dimensions

∅ int. 260 mm, ∅ ext. 305 mm, Height 110 mm
∅ int. 10 1/4", ∅ ext. 1', Height 4 3/8"

13029.RS

13029.RB

WASHBASIN WITH OVERFLOW

Dimensions

∅ int. 310 mm, ∅ ext. 352 mm, Height 133 mm
∅ int. 1'-0 1/4", ∅ ext. 1'-1 7/8", Height 5 1/4"

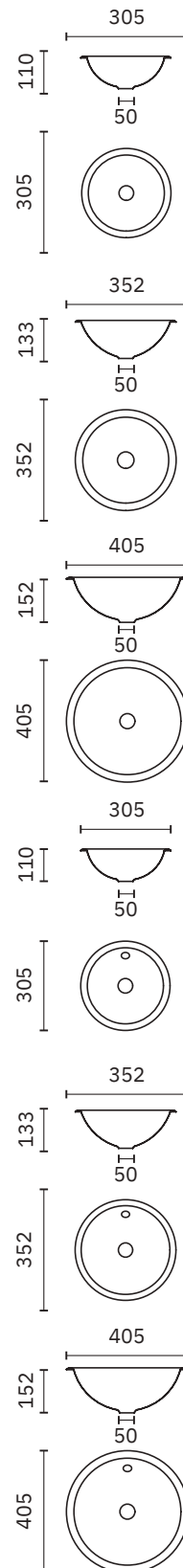
13030.RS

13030.RB

WASHBASIN WITH OVERFLOW

Dimensions

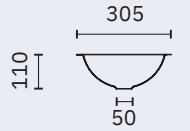
∅ int. 355 mm, ∅ ext. 405 mm, Height 152 mm
∅ int. 1'-2", ∅ ext. 1'-4", Height 6"



built-in under countertop sinks

Material
AISI 304 stainless steel

Finish
Satin (.S) Polished (.B)



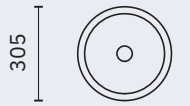
13028.S.PLANA

13028.B.PLANA

WASHBASIN WITHOUT OVERFLOW HOLE

Dimensions

∅ int. 260 mm, ∅ ext. 305 mm, Height 110 mm
∅ int. 10 1/4", ∅ ext. 1", Height 4 3/8"



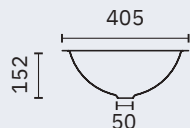
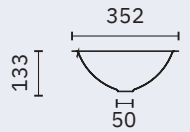
13029.S.PLANA

13029.B.PLANA

WASHBASIN WITHOUT OVERFLOW HOLE

Dimensions

∅ int. 310 mm, ∅ ext. 352 mm, Height 133 mm
∅ int. 1'-0 1/4", ∅ ext. 1'-1 7/8", Height 5 1/4"



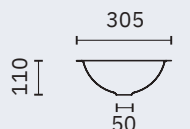
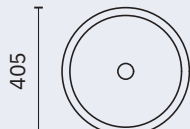
13030.S.PLANA

13030.B.PLANA

WASHBASIN WITHOUT OVERFLOW HOLE

Dimensions

∅ int. 355 mm, ∅ ext. 405 mm, Height 152 mm
∅ int. 1'-2", ∅ ext. 1'-4", Height 6"



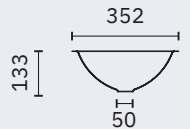
13028.RS.PLANA

13028.RB.PLANA

WASHBASIN WITH OVERFLOW

Dimensions

∅ int. 260 mm, ∅ ext. 305 mm, Height 110 mm
∅ int. 10 1/4", ∅ ext. 1", Height 4 3/8"



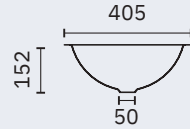
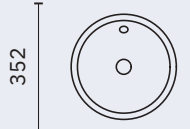
13029.RS.PLANA

13029.RB.PLANA

WASHBASIN WITH OVERFLOW

Dimensions

∅ int. 310 mm, ∅ ext. 352 mm, Height 133 mm
∅ int. 1'-0 1/4", ∅ ext. 1'-1 7/8", Height 5 1/4"



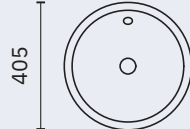
13030.RS.PLANA

13030.RB.PLANA

WASHBASIN WITH OVERFLOW

Dimensions

∅ int. 355 mm, ∅ ext. 405 mm, Height 152 mm
∅ int. 1'-2", ∅ ext. 1'-4", Height 6"



open sinks

Material
AISI 304 stainless steel

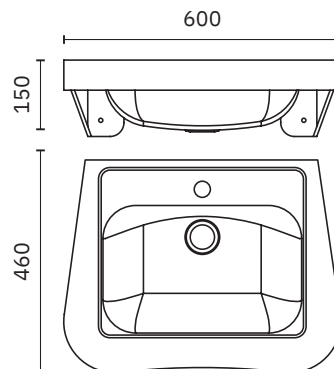
Finish
Satin (.S) Polished (.B)



13024.2.S

Ergonomic wall mounted washbasin

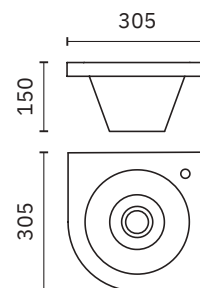
Dimensions
165 x 600 x 460 mm
6 1/2" x 1'-11 5/8" x 1'-6 1/8"



13037.B

Wall mounted corner washbasin with rounded front and \varnothing 20 mm hole for faucet

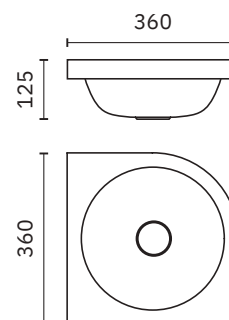
Dimensions
150 x 305 x 305 mm
5 7/8" x 1' x 1'



13036.AL.R.S

Wall mounted corner washbasin with rounded front

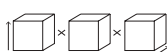
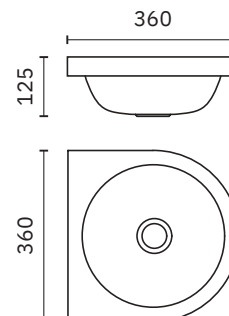
Dimensions
125 x 360 x 360 mm
4 7/8" x 1'-2 1/8" x 1'-2 1/8"



13036.A.S

Wall mounted corner washbasin with rounded front

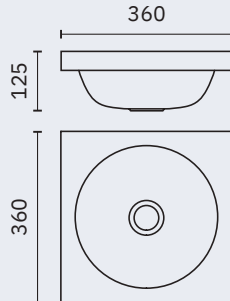
Dimensions
125 x 360 x 360 mm
4 7/8" x 1'-2 1/8" x 1'-2 1/8"



open sinks

Material
AISI 304 stainless steel

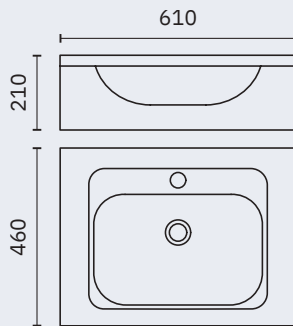
Finish
Satin (.S) Polished (.B)



13039.A.S

Wall mounted washbasin

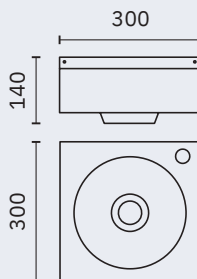
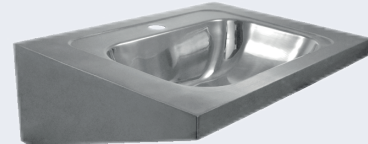
Dimensions
125 x 360 x 360 mm
4 7/8" x 1'-2 1/8" x 1'-2 1/8"



13033.S

Washbasin with hole for faucet

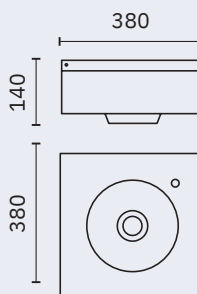
Dimensions
210 x 610 x 460 mm
8 1/4" x 2' x 1'-6 1/8"



13038.B

Wall mounted washbasin with
hole for faucet \varnothing 20 mm

Dimensions
140 x 300 x 300 mm
5 1/2" x 11 3/4" x 11 3/4"



13041.B

Wall mounted washbasin with
hole for faucet \varnothing 20 mm

Dimensions
140 x 380 x 380 mm
5 1/2" x 1' 3" x 1' 3"



open sinks with faucet

Material
AISI 304 stainless steel

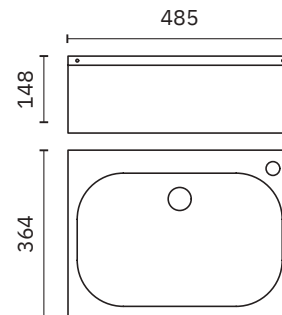
Finish
Satin (.S) Polished (.B)



13042.B

Wall mounted washbasin with two faucet holes and overflow. Valve and overflow fittings included

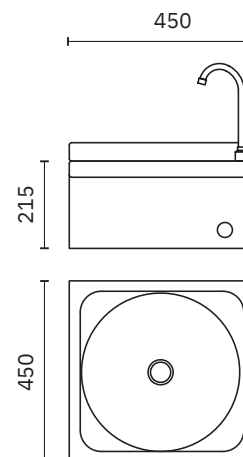
Dimensions
148 x 485 x 364 mm
5 7/8" x 1'-7 1/8" x 1'-2 3/8"



13046.S

Wall mounted washbasin with faucet. Knee operation. Equipped with no-return mixing valve

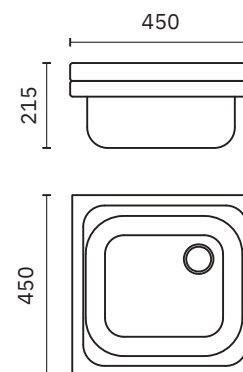
Dimensions
215 x 450 x 450 mm
8 1/2" x 1'-5 3/4" x 1'-5 3/4"



13046.BAT

Wall mounted washbasin with automatic faucet. Operated by sensor (battery powered). Equipped with no-return mixing valve

Dimensions
215 x 450 x 450 mm
8 1/2" x 1'-5 3/4" x 1'-5 3/4"

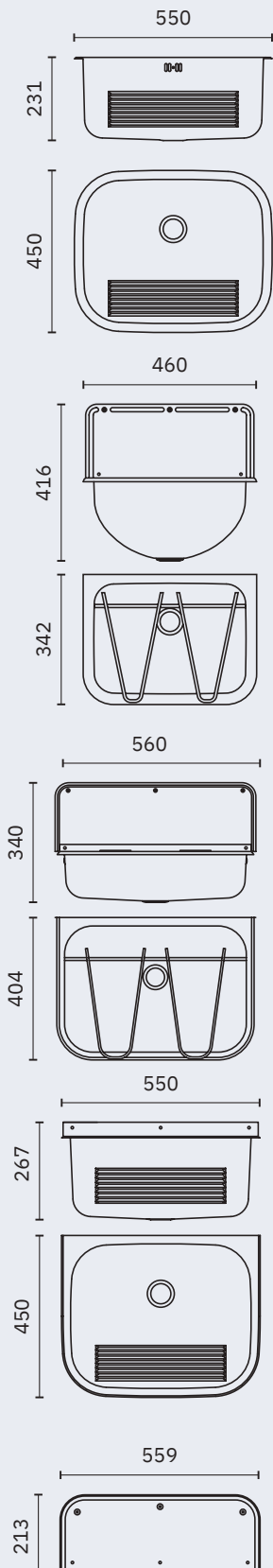


utility sinks

NEW

Material
AISI 304 stainless steel

Finish
Satin (.S)



13032.S

Wall mounted utility sink

Dimensions
231 x 550 x 450 mm
9 1/8" x 1'-9 5/8" x 1'-5 3/4"



13048.S

Wall mounted utility sink with
backsplash and grid

Dimensions
246 x 457 x 342 mm
9 3/4" x 1'-6" x 1'-1 1/2"

Dimensions with backsplash
416 x 457 x 342 mm
1'-4 3/8" x 1'-6" x 1'-1 1/2"



13049.S

Wall mounted utility sink with
backsplash and grid

Dimensions
165 x 560 x 404 mm
6 1/2" x 1'-10" x 1'-3 7/8"

Dimensions with backsplash
340 x 570 x 404 mm
1'-1 3/8" x 1'-10 1/2" x 1'-3 7/8"



13047.S

Wall mounted utility sink

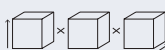
Dimensions
267 x 550 x 450 mm
10 1/2" x 1'-9 5/8" x 1'-5 3/4"



13051.S

Backsplash for utility sink

Dimensions
213 x 559 x 4 mm
8 3/8" x 1'-10" x 1/8"



closed sinks

Material
AISI 304 stainless steel

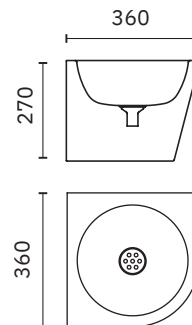
Finish
Satin (.S) Polished (.B)



13036.CLR.S

Wall mounted corner washbasin with rounded front and lower inspection hatch.

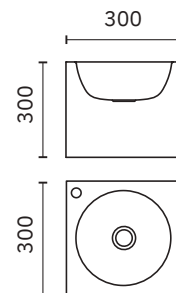
Dimensions
270 x 360 x 360 mm
10 5/8" x 1'-2 1/8" x 1'-2 1/8"



13097.B

Wall mounted washbasin with Ø 20 mm faucet hole and lower inspection hatch.

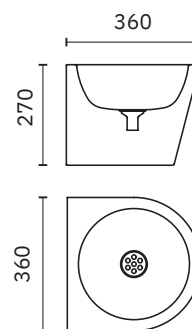
Dimensions
300 x 300 x 300 mm
11 3/4" x 11 3/4" x 11 3/4"



13036.C.S

Wall mounted washbasin with rounded front and lower inspection hatch.

Dimensions
270 x 360 x 360 mm
10 5/8" x 1'-2 1/8" x 1'-2 1/8"

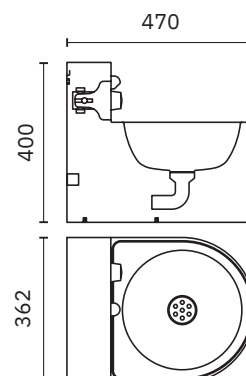


13036.W

Wall mounted washbasin with trim and lower inspection hatch. Vandal-proof faucet set included: faucet with push button and spout.

Finish
Satin

Dimensions
400 x 362 x 470 mm
1'-3 3/4" x 1'-2 1/4" x 1'-6 1/2"

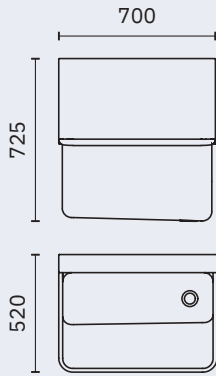




surgical sinks

Material
AISI 304 stainless steel

Finish
Satin (.S)

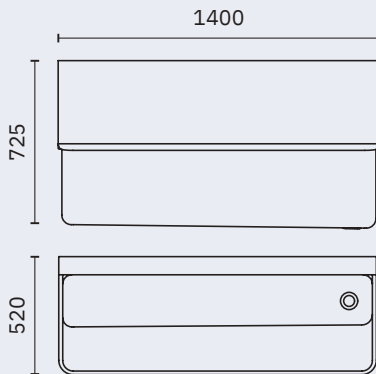
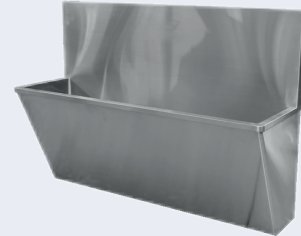


15002.07.S

Wall mounted surgical sink with drain on right side. Includes fixing material

One user

Dimensions
725 x 700 x 520 mm
2'-4 1/2" x 2'-3 1/2" x 1'-8 1/2"

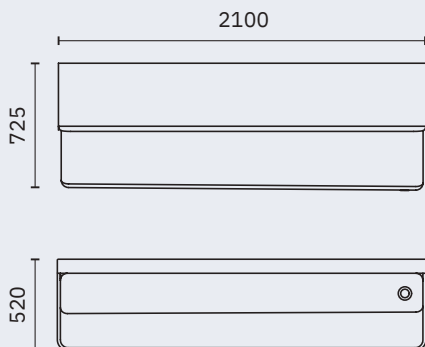
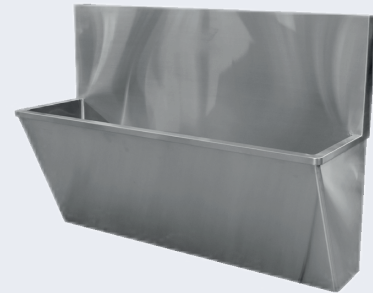


15002.14.S

Wall mounted surgical sink with drain on right side. Includes fixing material

Two users

Dimensions
725 x 1400 x 520 mm
2'-4 1/2" x 4'-7 1/8" x 1'-8 1/2"

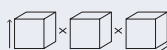
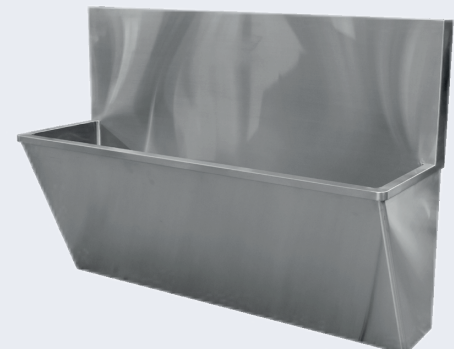


15002.21.S

Wall mounted surgical sink with drain on right side. Includes fixing material

Three users

Dimensions
725 x 2100 x 520 mm
2'-4 1/2" x 6'-10 5/8" x 1'-8 1/2"



collective sink with trim

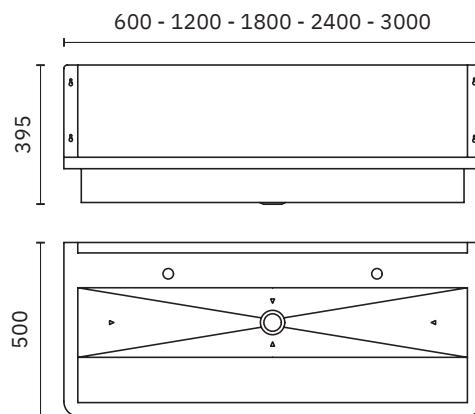
Material
AISI 304 stainless steel

Height: 395 mm
1'-3 1/2"

Finish
Satin (.S)

Depth: 500 mm
1'-7 5/8"

- ✓ Wall mounted trough style sink with trim.
- ✓ Reinforcement brackets and legs not included.
- ✓ Includes holes for double faucet (Ø 35 mm) with adapter for fitting for single faucet (Ø 22 mm).
- ✓ 13106 optional drain valve.
- ✓ Other dimensions on request.



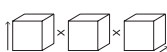
With faucet holes

13050.06.S	13050.12.S	13050.18.S	13050.24.S	13050.30.S
1 faucet hole	2 faucet holes	3 faucet holes	4 faucet holes	5 faucet holes
Width 600 mm 1'-11 5/8"	Width 1200 mm 3'-11 1/4"	Width 1800 mm 5'-10 7/8"	Width 2400 mm 7'-10 1/2"	Width 3000 mm 9'-10 1/8"
				With 2 drains

Without faucet holes

13050.06.SO.S	13050.12.SO.S	13050.18.SO.S	13050.24.SO.S	13050.30.SO.S
Width 600 mm 1'-11 5/8"	Width 1200 mm 3'-11 1/4"	Width 1800 mm 5'-10 7/8"	Width 2400 mm 7'-10 1/2"	Width 3000 mm 9'-10 1/8"
				With 2 drains

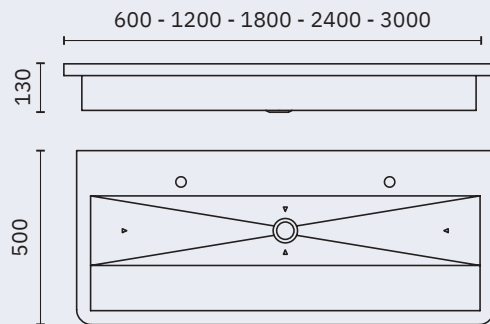
Dimensional outline sample: 13050.12.S



collective sink without trim

Material AISI 304 stainless steel	Height: 130 mm 5 1/8"
Finish Satin (.S)	Depth: 500 mm 1'-7 5/8"

- ✓ Wall mounted trough style sink with trim.
- ✓ Reinforcement brackets and legs not included.
- ✓ Includes holes for double faucet (Ø 35 mm) with adapter for fitting for single faucet (Ø 22 mm).
- ✓ 13106 optional drain valve.
- ✓ Other dimensions on request.



With faucet holes

13050.06.SP.S	13050.12.SP.S	13050.18.SP.S	13050.24.SP.S	13050.30.SP.S
1 faucet hole	2 faucet holes	3 faucet holes	4 faucet holes	5 faucet holes
Width 600 mm 1'-11 5/8"	Width 1200 mm 3'-11 1/4"	Width 1800 mm 5'-10 7/8"	Width 2400 mm 7'-10 1/2"	Width 3000 mm 9'-10 1/8"
				With 2 drains

Without faucet holes

13050.06.SPO.S	13050.12.SPO.S	13050.18.SPO.S	13050.24.SPO.S	13050.30.SPO.S
Width 600 mm 1'-11 5/8"	Width 1200 mm 3'-11 1/4"	Width 1800 mm 5'-10 7/8"	Width 2400 mm 7'-10 1/2"	Width 3000 mm 9'-10 1/8"
				With 2 drains

Dimensional outline sample: 13050.12.SP.S



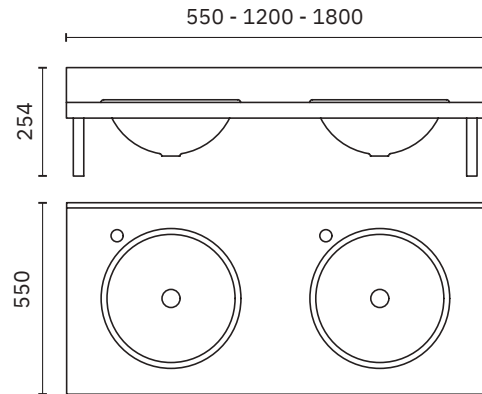
collective sinks

Material
AISI 304 stainless steel

Height: 254 mm 270 mm
10" 10 5/8"

Finish
Satin (.S)

Depth: 550 mm
1'-9 5/8"



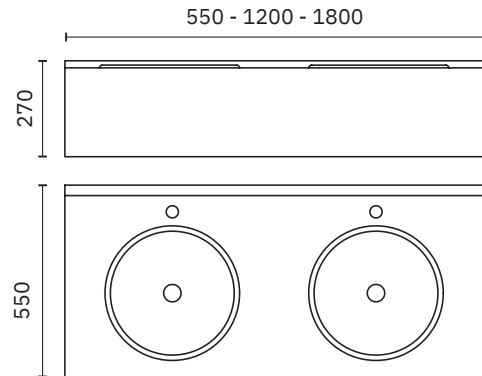
Integrated sink

13070.1.S	13070.2.S	13070.3.S
Width 550 mm 1'-9 5/8" Trim 100 mm	Width 1200 mm 3'-11 1/4" Trim 100 mm	Width 1800 mm 5'-10 7/8" Trim 100 mm

Overlying sink

13071.1.S	13071.2.S	13071.3.S
Width 550 mm 1'-9 5/8" Trim 100 mm	Width 1200 mm 3'-11 1/4" Trim 100 mm	Width 1800 mm 5'-10 7/8" Trim 100 mm

Custom dimensions available on request



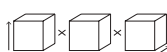
Integrated sink

13080.1.S	13080.2.S	13080.3.S
Width 550 mm 1'-9 5/8" Front 250 mm	Width 1200 mm 3'-11 1/4" Front 250 mm	Width 1800 mm 5'-10 7/8" Front 250 mm

Overlying sink

13081.1.S	13081.2.S	13081.3.S
Width 550 mm 1'-9 5/8" Front 250 mm	Width 1200 mm 3'-11 1/4" Front 250 mm	Width 1800 mm 5'-10 7/8" Front 250 mm

Custom dimensions available on request





accessories for washbasins

ACCESSORIES FOR 13050 SERIES



13050.P

Stainless steel leg for reinforcing trough style sinks.

Fixing threaded to sink and soil.



13050.C

Galvanized steel bracket for added support of trough style sinks.

Installation: one bracket at each end of the sink.
Alternatively, two additional legs can be used instead of one bracket

ACCESSORIES FOR WASHBASINS

Suitable for all types of sinks, washbasins and troughs.



13105.B

Valve with siphon

Material
Chrome-plated brass



13106.W

Valve with stopper

Material
ABS



13107.B

Valve with siphon, over-flow tube and stopper

Material
ABS and chrome-plated brass



13108.W

Valve with siphon, over-flow tube and stopper

Material
ABS



13110.B

Valve with siphon, over-flow tube and stopper

Material
Chrome-plated brass



13113.B.2

Drill cover
Ø 42 mm. 1 5/8"

Material
Chrome-plated ABS



90775.B

Valve with cap

Material
Chrome-plated brass







design sinks

Material
AISI 304 stainless steel

Finish
Satin (.S)



13060.S

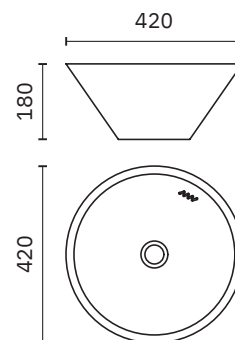
Countertop sink with overflow

Includes drain valve

Dimensions

180 mm; \varnothing 420 mm

7 1/8" x 1'-4 1/2" x 1'-4 1/2"



13061.S

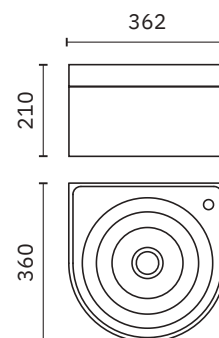
Sink. Includes drain valve

Faucets not included

Dimensions

210 x 362 x 360 mm

8 1/4" x 1'-2 1/4" x 1'-2 1/8"



13062.S

Wall sink with overflow

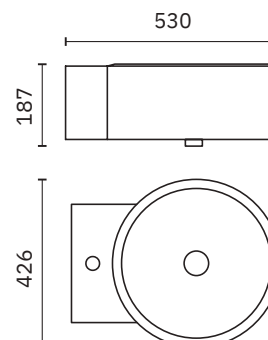
Includes drain valve

Faucets not included

Dimensions

185 x 426 x 530 mm

7 1/4" x 1'-4 3/4" x 1'-8 7/8"

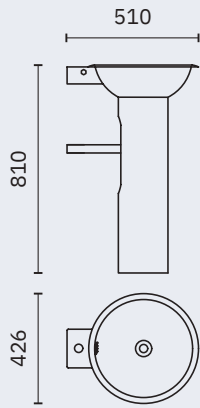




design sinks

Material
AISI 304 stainless steel

Finish
Satin (.S) Polished (.B)



13063.S

Sink with pedestal

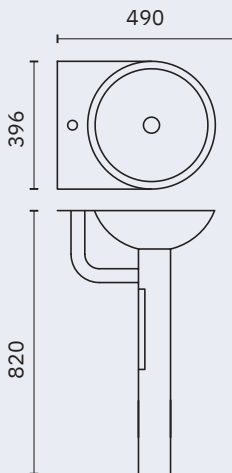
Includes drain valve

Faucets not included

Dimensions

810 x 426 x 510 mm

2'-7 7/8" x 1'-4 3/4" x 1'-8 1/8"



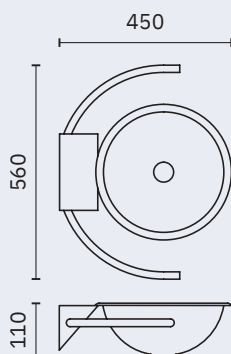
13026.B

Sink with pedestal

Dimensions

820 x 396 x 490 mm

2'-8 1/4" x 1'-3 5/8" x 1'-7 1/4"



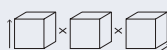
13027.B

Wall mounted sink

Dimensions

110 x 560 x 450 mm

4 3/8" x 1'-10" x 1'-5 3/4"



compact units

Compact units in AISI 304 stainless steel. Ideal for providing a well organized hygiene station in public spaces and washrooms. Combines different features in one spot: dispenser for paper towels, paper, toilet paper, toilet rings and soap.

Material
AISI 304 stainless steel

Finish
Satin (.S)



12012.S

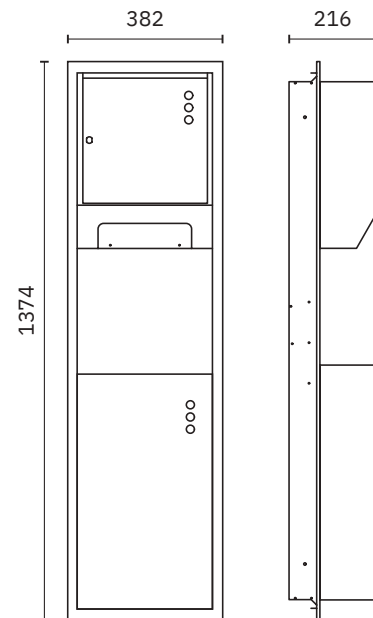
A compact semi-flush wall cabinet with paper towel dispenser and waste bin. Paper towel dispenser with automatic output and manual cut. Operates with batteries.

Dimensions
1374 x 382 x 216 mm
4'-6 1/8" x 1' 3" x 8 1/2"

Rough wall opening dimensions
1331 x 330 x 160 mm
4'-4 3/8" x 13" x 6 1/4"

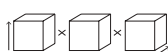
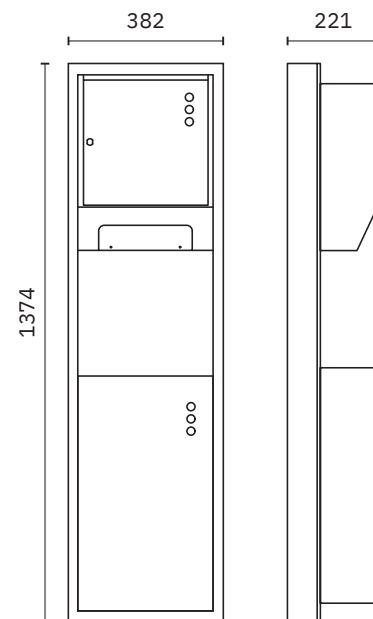
Maximum roll
Ø 200 x 220 mm
Ø 7 7/8" x 8 5/8"

Paper bin capacity
40 litres



12012.ADO.S

Surface mounted kit for unit
12012.S

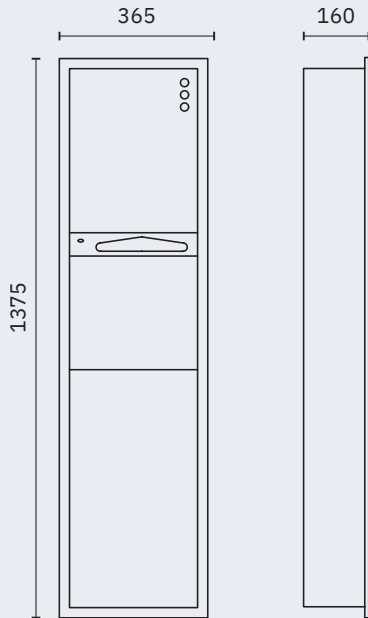


compact units

Compact units in AISI 304 stainless steel. Ideal for providing a well organized hygiene station in public spaces and washrooms. Combines different features in one spot: dispenser for paper towels, paper, toilet paper, toilet rings and soap.

Material
AISI 304 stainless steel

Finish
Satin (.S)



12020.S

Compact cabinet recessed in wall with paper towel dispenser and trash bin.

Dimensions
1375 x 365 x 160 mm
4'-6 1/8" x 1'-2 3/8" x 6 1/4"

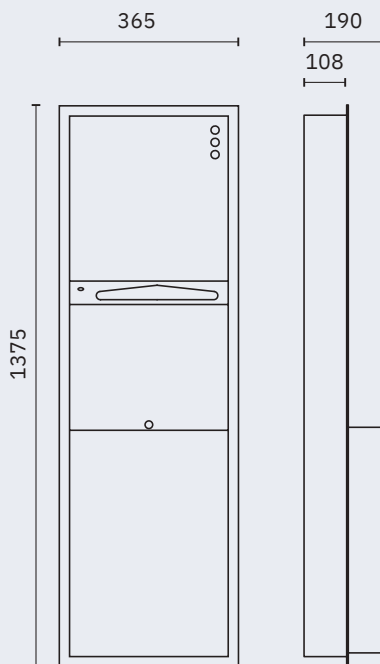
Rough wall opening dimensions
1331 x 330 x 160 mm
4'-4 3/8" x 13" x 6 1/4"

Paper bin capacity
22,5 litres

Dispenser capacity
700 uses

12020.ADO.S

Surface mounted kit for unit
12020.S



12021.S

Compact cabinet recessed in wall with paper towel dispenser and large-capacity bin.

Dimensions
1371 x 438 x 190 mm
4'-6" x 1-5 1/4" x 7 1/2"
(98 mm flush mounted)

Rough wall opening dimensions
1334 x 400 x 108 mm
4'-4 1/2" x 1' 3 3/4" x 4 1/4"

Paper bin capacity
45 litres

Dispenser capacity
700 uses

12021.ADO.S

Surface mounted kit for unit
12021.S



compact units



Compact units in AISI 304 stainless steel. Ideal for providing a well organized hygiene station in public spaces and washrooms. Combines different features in one spot: dispenser for paper towels, paper, toilet paper, toilet rings and soap.

Material
AISI 304 stainless steel

Finish
Satin (.S)



12021.SM.S

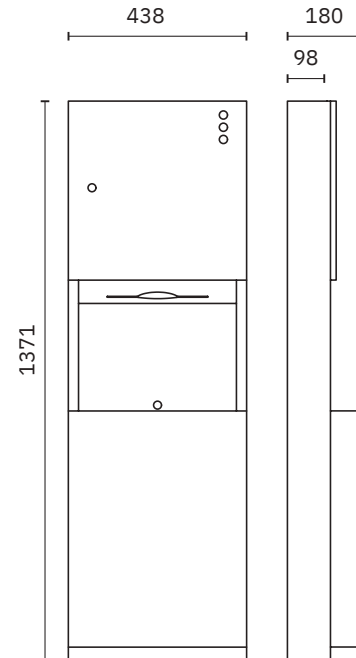
Recessed frameless cabinet with large capacity waste bin and paper towel dispenser.

Dimensions
1371 x 438 x 180 mm
4'-6" x 1-5 1/4" x 7 1/8"

Rough wall opening dimensions
1334 x 400 x 108 mm
4'-4 1/2" x 1' 3 3/4" x 4 1/4"

Paper bin capacity
45 litres

Dispenser capacity
700 uses



12018.S

Recessed cabinet with large capacity waste bin, touch free soap dispenser and paper towel dispenser.

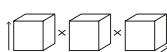
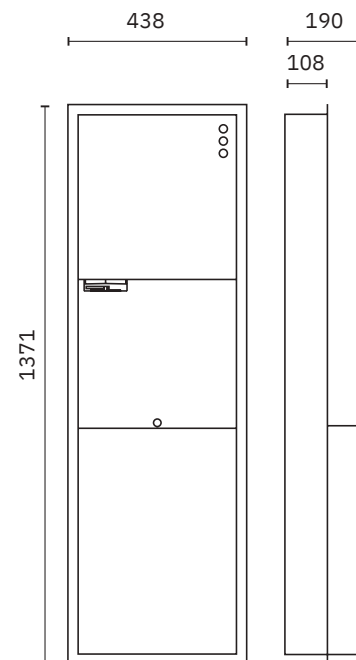
Dimensions
1371 x 438 x 190 mm
4'-6" x 1-5 1/4" x 7 1/2"

Rough wall opening dimensions
1334 x 400 x 108 mm
4'-4 1/2" x 1' 3 3/4" x 4 1/4"

Soap dispenser capacity
1100 ml

Paper bin capacity
45 litres

Dispenser capacity
700 uses



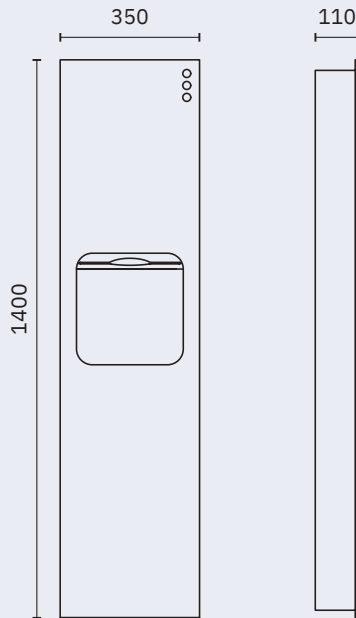


compact units

Compact units in AISI 304 stainless steel. Ideal for providing a well organized hygiene station in public spaces and washrooms. Combines different features in one spot: dispenser for paper towels, paper, toilet paper, toilet rings and soap.

Material
AISI 304 stainless steel

Finish
Satin (.S)



12020.P.S

Compact cabinet recessed in wall with paper towel dispenser and bin. One piece front panel.

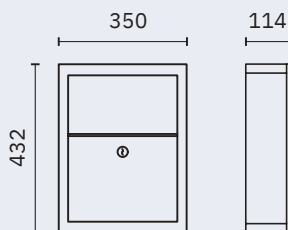
Dimensions
1400 x 350 x 110 mm
4'-7 1/8" x 1'-1 3/4" x 4 3/8"

Rough wall opening dimensions
1321 x 315 x 150 mm
4'-4" x 1'-0 3/8" x 5 7/8"

Paper bin capacity Dispenser capacity
17 litres 700 uses

12020.ADO.P.S

Surface mounted kit for unit
12020.P.S



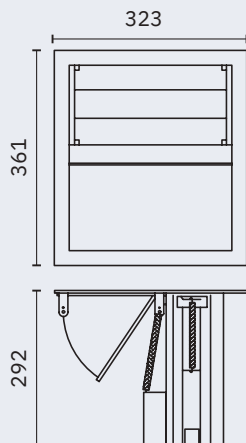
12001.S

Paper bin recessed in wall with self-closing hinged door.

Dimensions
432 x 330 x 114 mm. 1'-5" x 1'-1" x 4 1/2"

Rough wall opening dimensions
392 x 290 x 114 mm. 1'-4 1/2" x 11 3/8" x 4 1/2"

Capacity
5,5 litres



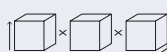
12041.S

Countertop flush mounted cabinet with paper towel dispenser and self-closing waste bin cover. Waste bin not included.

Dimensions
361 x 323 x 292 mm. 1'-2 1/4" x 1'-0 3/4" x 11 1/2"

Rough wall opening dimensions
279 x 318 mm. 11" x 1'-0 1/2"

Dispenser capacity
350 uses



compact units

Compact units in AISI 304 stainless steel. Ideal for providing a well organized hygiene station in public spaces and washrooms. Combines different features in one spot: dispenser for paper towels, paper, toilet paper, toilet rings and soap.

Material
AISI 304 stainless steel

Finish
Satin (.S)



12047.P.S

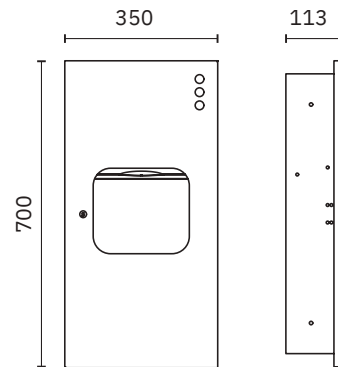
Compact cabinet recessed in wall with paper towel dispenser and paper bin. One piece front panel.

Dimensions
700 x 350 x 113 mm
2'-3 1/2" x 1'-1 3/4" x 4 1/2"

Rough wall opening dimensions
660 x 320 x 113 mm
2'-2" x 1'-0 5/8" x 4 1/2"

Paper bin capacity
6 litres

Dispenser capacity
400 uses



12047.ADO.P.S

Surface mounted kit for unit
12047.P.S



12047.S

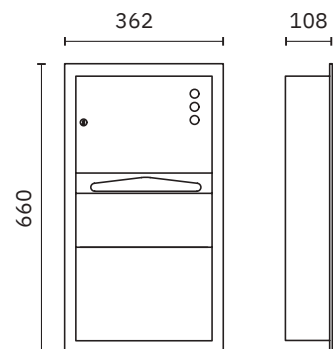
Compact cabinet recessed in wall with paper towel dispenser and waste bin.

Dimensions
660 x 362 x 108 mm
2'-2" x 1'-2 1/4" x 4 1/4"

Rough wall opening dimensions
620 x 320 x 108 mm
2'-0 3/8" x 1'-0 5/8" x 4 1/4"

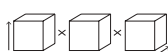
Paper bin capacity
7,5 litres

Dispenser capacity
400 uses



12047.ADO.S

Surface mounted kit
for unit 12047.S

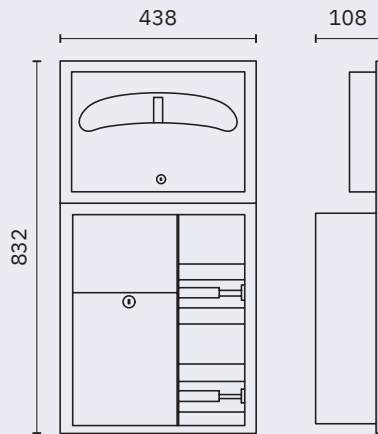


compact units

Compact units in AISI 304 stainless steel. Ideal for providing a well organized hygiene station in public spaces and washrooms. Combines different features in one spot: dispenser for paper towels, paper, toilet paper, toilet rings and soap.

Material
AISI 304 stainless steel

Finish
Satin (.S)



12031.S

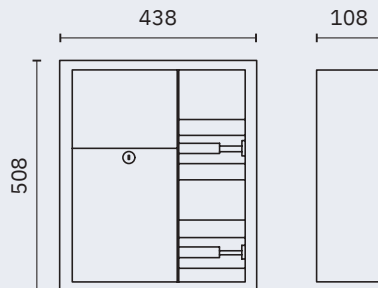
Compact cabinet recessed in wall with two toilet paper roll holders, swing door with automatic closing and toilet rings dispenser.

Dimensions
832 x 438 x 108 mm
2'-8 3/4" x 1'-5 1/4" x 4 1/4"

Rough wall opening dimensions
840 x 400 x 108 mm
2'-9 1/8" x 1' 3 3/4" x 4 1/4"

Paper bin capacity
7,5 litres

Dispenser capacity
500 uses



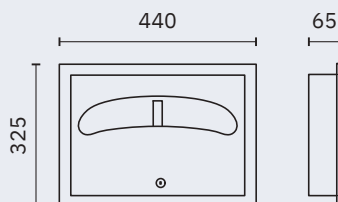
12035.S

Compact cabinet recessed in wall with two toilet paper roll holders and with automatic self-closing hinged door.

Dimensions
508 x 438 x 107 mm
1'-8" x 1' 5 1/4" x 4 1/4"

Rough wall opening dimensions
470 x 400 x 108 mm
1'-6 1/2" x 1' 3 3/4" x 4 1/4"

Paper bin capacity
7,5 litres



12029.S

Compact cabinet recessed in wall with toilet paper rings dispenser

Dimensions
325 x 440 x 65 mm
1'-0 3/4" x 1'-5 3/8" x 2 1/2"

Rough wall opening dimensions
275 x 390 x 58,5 mm
10 7/8" x 1'-3 3/8" x 2 1/4"

Dispenser capacity
250 uses



compact units

Compact units AISI 304 stainless steel. Ideal for providing a well organized hygiene station in public spaces and washrooms. Combines different features in one spot: dispenser for paper towels, paper, toilet paper, toilet rings and soap.

Material
AISI 304 stainless steel

Finish
Satin (.S)



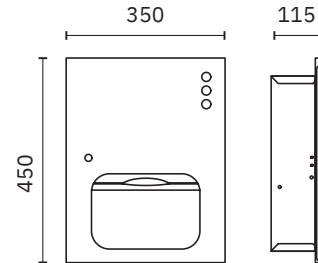
12008.P.S

Compact flush wall cabinet with paper towel dispenser.

Dimensions
450 x 350 x 115 mm. 1'-5 3/4" x 1'-1 3/4" x 4 1/2"

Rough wall opening dimensions
407 x 320 x 110 mm. 1'-4" x 1'-0 5/8" x 4 3/8"

Dispenser capacity
400 uses



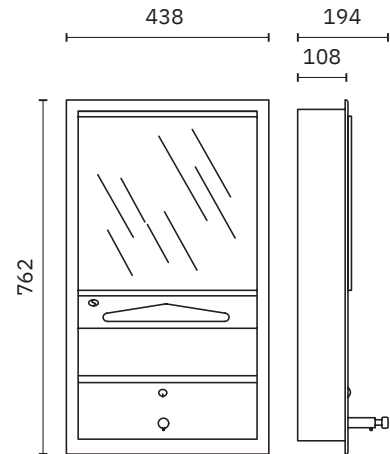
12010.S

Compact flush wall cabinet with dispenser for paper towels and soap dispenser. Mirror on front door

Dimensions
762 x 438 x 108 mm. 2'-6" x 1' 5 1/4" x 4 1/4"

Rough wall opening dimensions
720 x 400 x 108 mm. 2'-4 3/8" x 1' 3 3/4" x 4 1/4"

Dispenser capacity
700 uses



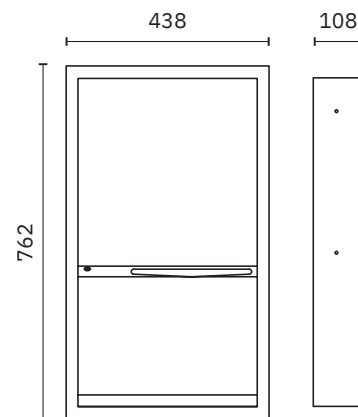
12007.S

Built-in toilet paper dispenser

Dimensions
762 x 438 x 108 mm. 2'-6" x 1' 5 1/4" x 4 1/4"

Rough wall opening dimensions
728 x 407 x 112 mm. 2'-4 5/8" x 1'-4" x 4 3/8"

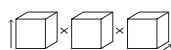
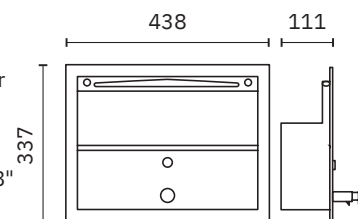
Dispenser capacity
600-800 uses



12009.S

Built-in compact unit with hidden paper dispenser and liquid soap dispenser

Dimensions
337 x 438 x 111 mm. 1'-1 1/4" x 1'-5 1/4" x 4 3/8"



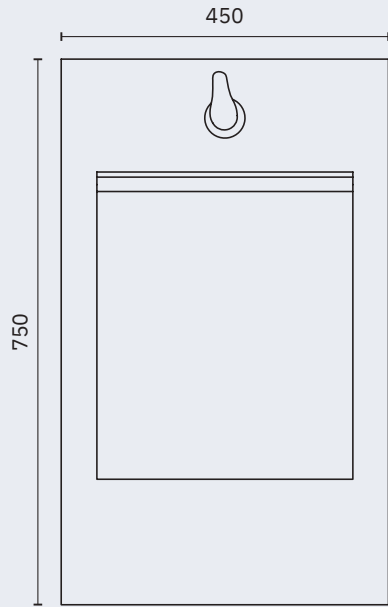
bed-pan washers

Flush installed bed-pan washer

Material
AISI 304 stainless steel

Custom made dimensions on request

Finish
Satin (.S)



15010.ST

With one self-closing faucet

Dimensions
750 x 450 x 260 mm
2'-5 1/2" x 1'-5 3/4" x 10 1/4"

15010.SM

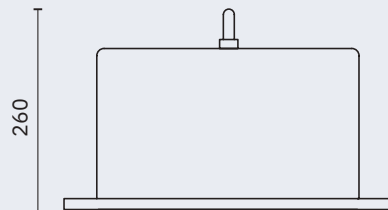
With one mixer

Dimensions
750 x 450 x 260 mm
2'-5 1/2" x 1'-5 3/4" x 10 1/4"

15010.STM

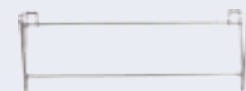
With one self-closing mixer

Dimensions
750 x 450 x 260 mm
2'-5 1/2" x 1'-5 3/4" x 10 1/4"



15011.S

Holder for one bed-pan



15013.S

Holder for one hygienic bottle







vandal-proof sanitary ware

Material
AISI 304 stainless steel

Finish
Satin (.S)



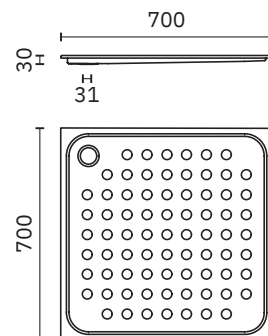
13052.70.S

Shower tray

Dimensions
31 x 700 x 700 mm
1 1/4" x 2'-3 1/2" x 2'-3 1/2"



Recommended faucet,
not included: 07680.M.N
Consult NOFER H₂O faucet
catalogue



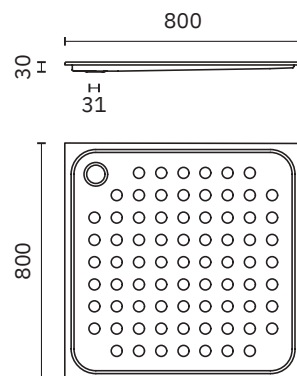
13052.80.S

Shower tray

Dimensions
31 x 800 x 800 mm
1 1/4" x 2'-7 1/2" x 2'-7 1/2"



Recommended faucet,
not included: 07680.M.N
Consult NOFER H₂O faucet
catalogue



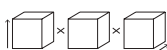
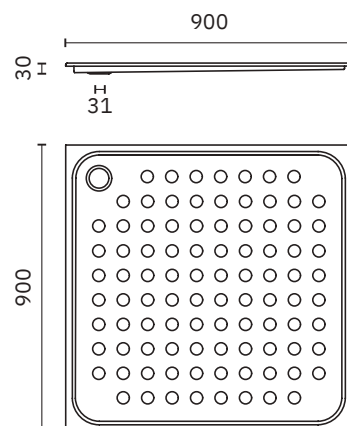
13052.90.S

Shower tray

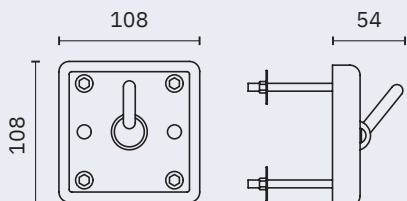
Dimensions
30 x 900 x 900 mm
1 1/4" x 30 x 2'-11 3/8" x 2'-11 3/8"



Recommended faucet,
not included: 07680.M.N
Consult NOFER H₂O faucet
catalogue



vandal-proof sanitary ware

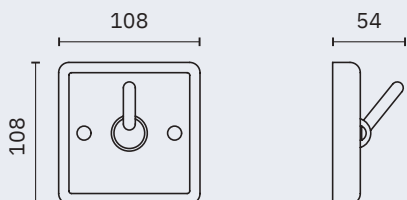


09013.R.S

Security vandal resistant front-mounted hanger

Material
Stainless steel

Dimensions
108 x 108 x 54 mm
4 1/4" x 4 1/4" x 2 1/8"

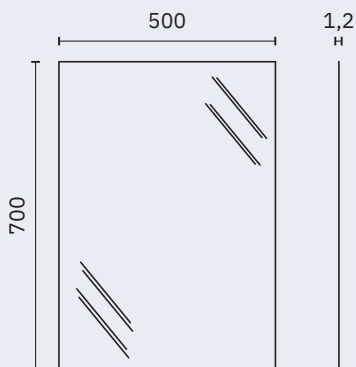


09013.P.S

Security vandal resistant front-mounted hanger

Material
Stainless steel

Dimensions
108 x 108 x 54 mm
4 1/4" x 4 1/4" x 2 1/8"



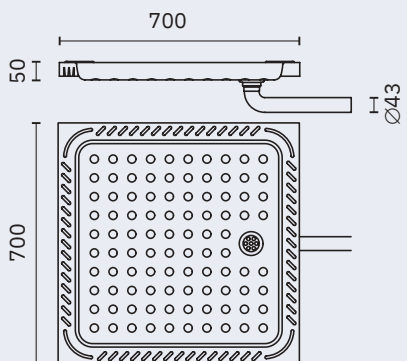
08071.B

Vandal-proof mirror

Material
Vandal-proof mirror

Dimensions
700 x 500 mm
2'-3 1/2" x 1' 7 5/8" x 1/16"

Thickness
1,2 mm
1/16"



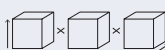
13054.P

With vandal-proof valve

Dimensions
50 x 700 x 700 mm
2" x 2'-3 1/2" x 2'-3 1/2"



Recommended faucet, not included: 07017.2.10.B
Consult NOFER H₂O faucet catalogue



vandal-proof sanitary ware

Material
AISI 304 stainless steel

Bolt length depending on the wall thickness (consult us)

Finish
Satin (.S)



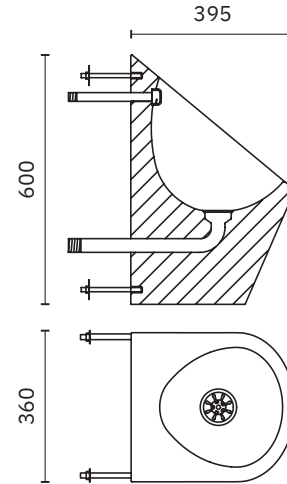
13004.P.S

Urinal for embedded flush systems.
Wall fixing with bolts included. Inside
filled with polyurethane foam and
anti-sound protection.

Dimensions
600 x 360 x 395 mm
1'-11 5/8" x 1'-2 1/8" x 1'-3 1/2"



Recommended flushometer,
not included: 07016.10.B
Consult NOFER H₂O faucet
catalogue



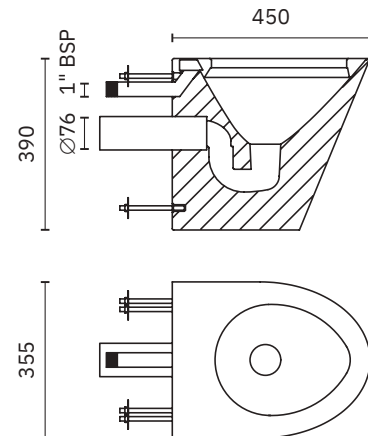
13012.P.S

Floor mounted toilet horizontal outlet.
Wall fixing bolts included.

Dimensions
390 x 355 x 450 mm
1'-3 3/8" x 1'-2" x 1'-5 3/4"



Recommended flushometer,
not included: 07016.10.B
Consult NOFER H₂O faucet
catalogue



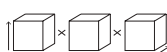
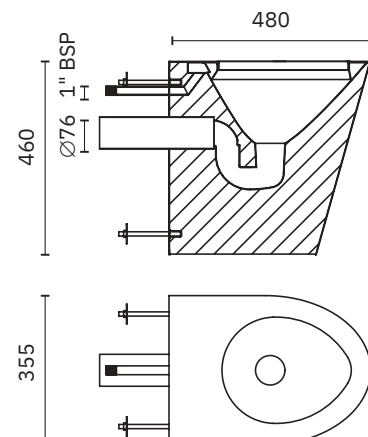
13012.P.M.S

Floor mounted toilet, adapted,
horizontal outlet. Wall fixing bolts
included.

Dimensions
460 x 355 x 480 mm
1'-6 1/8" x 1'-2" x 1'-6 7/8"



Recommended flushometer,
not included: 07016.10.B
Consult NOFER H₂O faucet
catalogue



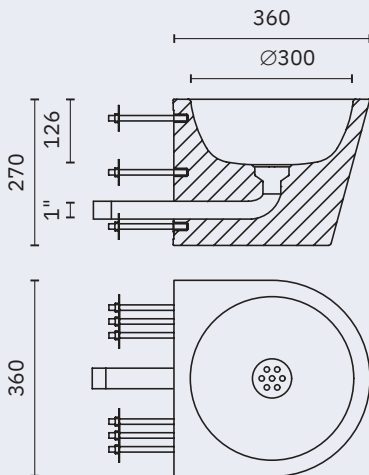
vandal-proof washbasins

Material
AISI 304 stainless steel

Bolt length depending on the wall thickness (consult us)

Finish
Satin (.S)


VANDAL-PROOF




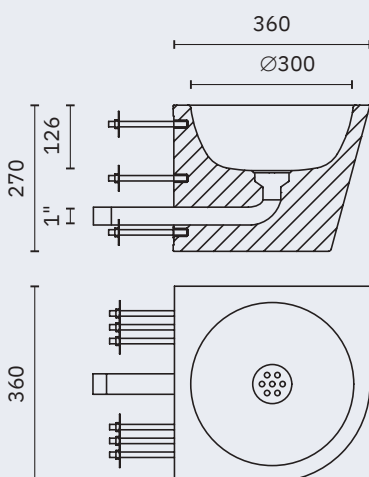
13036.P.S

Wall mounted washbasin.
Installation through wall, bolts included.

Dimensions
270 x 360 x 360 mm
10 5/8" x 1'-2 1/8" x 1'-2 1/8"

 Recommended faucet,
not included: 07015.10.N
Consult NOFER H₂O faucet
catalogue

 Recommended spout,
not included: 07011.10.B
Consult NOFER H₂O faucet
catalogue





13036.P.L.S

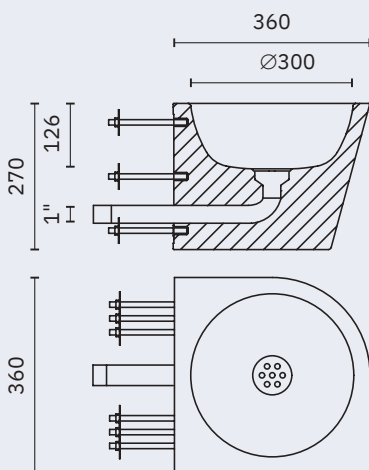
Wall mounted corner washbasin.
Installation through wall, bolts included.

Bolts, water inlet and outlet
left side.

Dimensions
270 x 360 x 360 mm
10 5/8" x 1'-2 1/8" x 1'-2 1/8"

 Recommended faucet,
not included: 07015.10.N
Consult NOFER H₂O faucet
catalogue


 Recommended spout,
not included: 07011.10.B
Consult NOFER H₂O faucet
catalogue




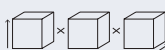
13036.P.R.S

Bolts, water inlet and outlet
right side.

Dimensions
270 x 360 x 360 mm
10 5/8" x 1'-2 1/8" x 1'-2 1/8"

 Recommended faucet,
not included: 07015.10.B
Consult NOFER H₂O faucet
catalogue

 Recommended spout,
not included: 07011.10.B
Consult NOFER H₂O faucet
catalogue



vandal-proof and washbasin

Vandal-proof. Suitable for installations that require a high degree of security. Includes bolts for installation through wall. Faucet not included.

Material
AISI 304 stainless steel

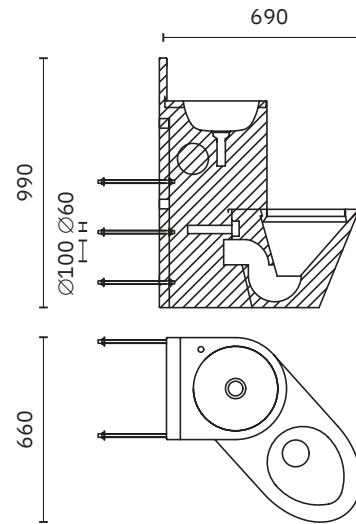
Inside filled with polyurethane foam and anti-sound protection.



13123.L

Toilet pan left position

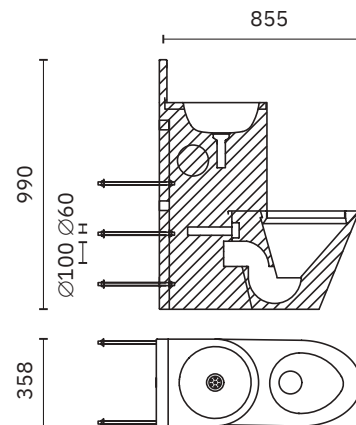
Dimensions
990 x 660 x 690 mm
3'-3" x 2'-2" x 2'-3 1/8"



13123.C

Toilet pan central position

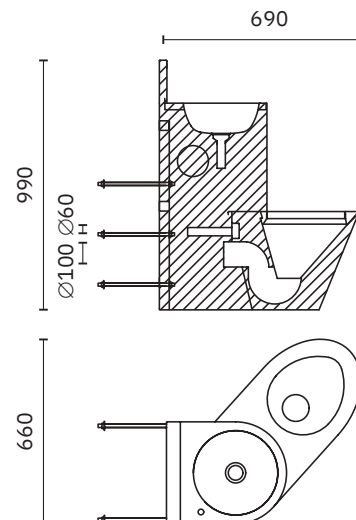
Dimensions
990 x 358 x 855 mm
3'-3" x 1'-2 1/8" x 2'-9 5/8"



13123.R

Toilet pan right position

Dimensions
990 x 660 x 690 mm
3'-3" x 2'-2" x 2'-3 1/8"



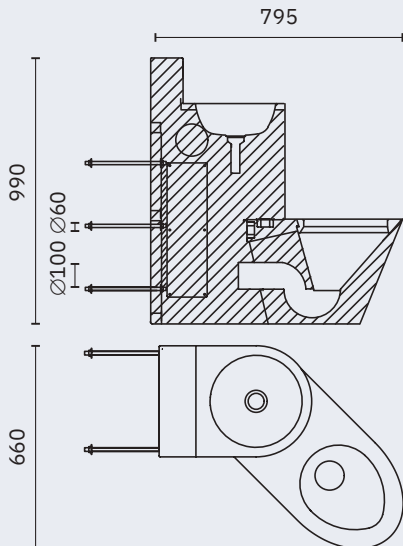
vandal-proof and washbasin

Anti-vandal. Wall installation.

Material
AISI 304 stainless steel

Inside filled with polyurethane foam and anti-sound protection.

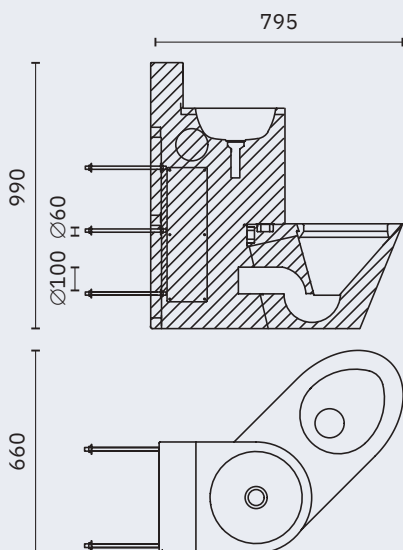
VANDAL-PROOF



13124.L

Toilet pan left position

Dimensions
990 x 660 x 796 mm
3'-3" x 2'-2" x 2'-7 3/8"



13124.R

Toilet pan right position

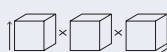
Dimensions
990 x 660 x 796 mm
3'-3" x 2'-2" x 2'-7 3/8"



07014.B

Faucet set for washbasin and toilet pan Combi units.

Self closing faucet with spout and flushometer included (both push button operated).











stainless steel sinks

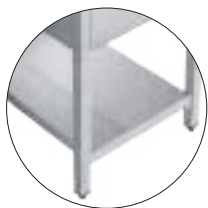
Industrial sinks with frame, with or without lower shelf.

DESIGN CHARACTERISTICS:

- ✓ Made of AISI 304 stainless steel.
- ✓ Drawn sinks with sound insulation.
- ✓ With drain valve and overflow tube.
- ✓ Trim 100 mm and frontal 65 mm.
- ✓ Frame included. Four feet 40 x 40 mm. Adjustable up to 900 mm height.
- ✓ Assembly with allen fixing material (key included).
- ✓ Detachable structure to facilitate the transport and storage.
- ✓ Rear feet moved forward 50 mm for sanitary floors.



Without shelf



With shelf



Industrial sink with frame and 1 bowl. Height: 850 mm

LENGTH x DEPTH	Sink + frame		Sink + frame + shelf		Sink		BOWL DIM.
	CODE		CODE		CODE		
FRAME 600							
600 x 600	11160.060.K		11160.060.E		11160.060.F		500 x 400 x 250
700 x 600	11160.070.K		11160.070.E		11160.070.F		500 x 500 x 300
FRAME 700							
700 x 700	11170.070.K		11170.070.E		11170.070.F		500 x 500 x 300
800 x 700	11170.080.K		11170.080.E		11170.080.F		600 x 500 x 330
1000 x 700	11170.100.K		11170.100.E		11170.100.F		860 x 500 x 380
1200 x 700	11170.120.K		11170.120.E		11170.120.F		1060 x 500 x 380
1400 x 700	11170.140.K		11170.140.E		11170.140.F		1200 x 500 x 380



Industrial sink with frame and 2 bowls. Height: 850 mm

LENGTH x DEPTH	Sink + frame		Sink + frame + shelf		Sink		BOWL DIM
	CODE		CODE		CODE		
FRAME 600							
1000 x 600	11260.100.K		11260.100.E		11260.100.F		400 x 400 x 250
1200 x 600	11260.120.K		11260.120.E		11260.120.F		500 x 400 x 250
1300 x 600	11260.130.K		11260.130.E		11260.130.F		500 x 500 x 300
FRAME 700							
1000 x 700	11270.100.K		11270.100.E		11270.100.F		400 x 500 x 250
1200 x 700	11270.120.K		11270.120.E		11270.120.F		500 x 500 x 300
1400 x 700	11270.140.K		11270.140.E		11270.140.F		600 x 500 x 330
1800 x 700	11270.180.K		11270.180.E		11270.180.F		800 x 500 x 380

Industrial sink with frame, 1 bowl and 1 drainer surface. Height: 850 mm

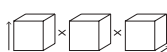


Drainer position: left.



Drainer position: right.

LENGTH x DEPTH	Sink + frame		Sink + frame + shelf		Sink		BOWL DIM
	CODE	CODE	CODE	CODE	CODE	CODE	
FRAME 500							
800 x 500	112L50.080.K	112R50.080.K	112L50.080.E	112R50.080.E	112L50.080.F	112R50.080.F	365 x 340 x 150
1000 x 500	112L50.100.K	112R50.100.K	112L50.100.E	112R50.100.E	112L50.100.F	112R50.100.F	365 x 340 x 150
FRAME 550							
1000 x 550	112L55.100.K	112R55.100.K	112L55.100.E	112R55.100.E	112L55.100.F	112R55.100.F	400 x 400 x 200
1200 x 550	112L55.120.K	112R55.120.K	112L55.120.E	112R55.120.E	112L55.120.F	112R55.120.F	400 x 400 x 200
1400 x 550	112L55.140.K	112R55.140.K	112L55.140.E	112R55.140.E	112L55.140.F	112R55.140.F	400 x 400 x 200
FRAME 600							
1000 x 600	112L60.100.K	112R60.100.K	112L60.100.E	112R60.100.E	112L60.100.F	112R60.100.F	400 x 400 x 250
1200 x 600	112L60.120.K	112R60.120.K	112L60.120.E	112R60.120.E	112L60.120.F	112R60.120.F	500 x 400 x 250
1300 x 600	112L60.130.K	112R60.130.K	112L60.130.E	112R60.130.E	112L60.130.F	112R60.130.F	500 x 400 x 300
1400 x 600	112L60.140.K	112R60.140.K	112L60.140.E	112R60.140.E	112L60.140.F	112R60.140.F	500 x 400 x 250
FRAME 700							
1000 x 700	112L70.100.K	112R70.100.K	112L70.100.E	112R70.100.E	112L70.100.F	112R70.100.F	500 x 500 x 300
1200 x 700	112L70.120.K	112R70.120.K	112L70.120.E	112R70.120.E	112L70.120.F	112R70.120.F	500 x 500 x 300
1300 x 700	112L70.130.K	112R70.130.K	112L70.130.E	112R70.130.E	112L70.130.F	112R70.130.F	600 x 500 x 330
1400 x 700	112L70.140.K	112R70.140.K	112L70.140.E	112R70.140.E	112L70.140.F	112R70.140.F	600 x 500 x 330
1600 x 700	112L70.160.K	112R70.160.K	112L70.160.E	112R70.160.E	112L70.160.F	112R70.160.F	860 x 500 x 380
1800 x 700	112L70.180.K	112R70.180.K	112L70.180.E	112R70.180.E	112L70.180.F	112R70.180.F	1160 x 500 x 380
2000 x 700	112L70.200.K	112R70.200.K	112L70.200.E	112R70.200.E	112L70.200.F	112R70.200.F	1160 x 500 x 380



large capacity stainless steel sinks

Industrial large capacity sinks with frame, with or without lower shelf.

DESIGN CHARACTERISTICS:

- ✓ Made of AISI 304 stainless steel with reinforced structure.
- ✓ Drawn sinks with sound insulation.
- ✓ With drain valve and overflow tube.
- ✓ Trim 100 mm and frontal 65 mm.
- ✓ Frame included. Four feet 40 x 40 mm. Adjustable up to 900 mm height.
- ✓ Assembly with allen fixing material (key included).
- ✓ Detachable structure to facilitate the transport and storage.
- ✓ Rear feet moved forward 50 mm for sanitary floors.



Without shelf



With shelf



Industrial sink with 3 bowls.
Height: 850 mm

LENGTH x DEPTH	Sink + frame		Sink + frame + shelf		Sink		BOWL DIM
	CODE		CODE		CODE		
FRAME 700							
1800 x 700	11370.180.K		11370.180.E		11370.180.F		500 x 500 x 300



Industrial sink with 2 bowls and 2 drainer surfaces
Height: 850 mm

LENGTH x DEPTH	Sink + frame		Sink + frame + shelf		Sink		BOWL DIM
	CODE		CODE		CODE		
FRAME 600							
2000 x 600	11460.200.K		11460.200.E		11460.200.F		500 x 400 x 250
FRAME 700							
2000 x 700	11470.220.K		11470.220.E		11470.220.F		600 x 500 x 300

Industrial sink with 2 bowls and 1 drainer surface. Height: 850 mm

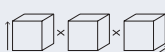


Drainer position: left.



Drainer position: right.

LENGTH x DEPTH	Sink + frame		Sink + frame + shelf		Sink		BOWL DIM
	CODE	CODE	CODE	CODE	CODE	CODE	
FRAME 500							
1200 x 500	113L50.120.K	113R50.120.K	113L50.120.E	113R50.120.E	113L50.120.F	113R50.120.F	365 x 340 x 150
1350 x 500	113L50.135.K	113R50.135.K	113L50.135.E	113R50.135.E	113L50.135.F	113R50.135.F	365 x 340 x 150
FRAME 600							
1400 x 600	113L60.140.K	113R60.140.K	113L60.140.E	113R60.140.E	113L60.140.F	113R60.140.F	400 x 400 x 250
1600 x 600	113L60.160.K	113R60.160.K	113L60.160.E	113R60.160.E	113L60.160.F	113R60.160.F	500 x 400 x 250
1800 x 600	113L60.180.K	113R60.180.K	113L60.180.E	113R60.180.E	113L60.180.F	113R60.180.F	500 x 400 x 300
FRAME 700							
1600 x 700	113L70.160.K	113R70.160.K	113L70.160.E	113R70.160.E	113L70.160.F	113R70.160.F	500 x 500 x 300
1800 x 700	113L70.180.K	113R70.180.K	113L70.180.E	113R70.180.E			500 x 500 x 300
2000 x 700	113L70.200.K	113R70.200.K	113L70.200.E	113R70.200.E	113L70.200.F	113R70.200.F	600 x 500 x 300



industrial tables

Industrial tables with trim



Without shelf .K

LENGTH	CODE	CODE	CODE	CODE
600			11555.060.K	11555.060.E
800		11550.080.E	11555.080.K	11555.080.E
1000	11550.100.K		11555.100.K	11555.100.E
1200	11550.120.K		11555.120.K	11555.120.E
1400	11550.140.K		11555.140.K	11555.140.E
1500		11550.150.E	11555.150.K	11555.150.E
1600	11550.160.K	11550.160.E	11555.160.K	11555.160.E
1800	11550.180.K	11550.180.E	11555.180.K	11555.180.E
2000	11550.200.K	11550.200.E	11555.200.K	11555.200.E
2200	11550.220.K	11550.220.E	11555.220.K	11555.220.E
2400	11550.240.K	11550.240.E	11555.240.K	11555.240.E

Industrial tables with trim and shelf



With shelf .E

LENGTH	CODE	CODE	CODE	CODE
600	11560.060.K	11560.060.E	11570.060.K	11570.060.E
800	11560.080.K	11560.080.E	11570.080.K	11570.080.E
1000	11560.100.K	11560.100.E	11570.100.K	11570.100.E
1200	11560.120.K	11560.120.E	11570.120.K	11570.120.E
1400	11560.140.K	11560.140.E	11570.140.K	11570.140.E
1500	11560.150.K	11560.150.E	11570.150.K	11570.150.E
1600	11560.160.K	11560.160.E	11570.160.K	11570.160.E
1800	11560.180.K	11560.180.E	11570.180.K	11570.180.E
2000	11560.200.K	11560.200.E	11570.200.K	11570.200.E
2200	11560.220.K	11560.220.E	11570.220.K	11570.220.E
2400	11560.240.K	11560.240.E	11570.240.K	11570.240.E

Wall mounted low table with trim and shelf. Height: 600 mm

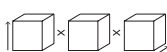


CODE	LENGTH x DEPTH	CODE	LENGTH x DEPTH
FRAME 600		FRAME 700	
115A60.080.E	800 x 600	115A70.080.E	800 x 700
115A60.100.E	1000 x 600	115A70.100.E	1000 x 700
115A60.120.E	1200 x 600	115A70.120.E	1200 x 700
115A60.140.E	1400 x 600	115A70.140.E	1400 x 700
115A60.160.E	1600 x 600	115A70.160.E	1600 x 700

Corner table with trim and shelf



FRAME 600	FRAME 700
115Y60.E	115Y70.E
Dimensions 600 x 600 x 850 mm 1'-11 5/8" x 1'-11 5/8" x 2'-9 1/2"	Dimensions 700 x 700 x 850 mm 2'-3 1/2" x 2'-3 1/2" x 2'-9 1/2"



industrial tables

Central tables. Height: 850 mm



Without shelf .K

LENGTH	CODE	CODE	CODE	CODE
600	11650.060.K	11650.060.E	11655.060.K	11655.060.E
800	11650.080.K	11650.080.E	11655.080.K	11655.080.E
1000	11650.100.K	11650.100.E	11655.100.K	11655.100.E
1200	11650.120.K	11650.120.E	11655.120.K	11655.120.E
1400	11650.140.K	11650.140.E	11655.140.K	11655.140.E
1500	11650.150.K	11650.150.E	11655.150.K	11655.150.E
1600	11650.160.K	11650.160.E	11655.160.K	11655.160.E
1800	11650.180.K	11650.180.E	11655.180.K	11655.180.E
2000	11650.200.K	11650.200.E	11655.200.K	11655.200.E
2200	11650.220.K	11650.220.E	11655.220.K	11655.220.E
2400	11650.240.K	11650.240.E	11655.240.K	11655.240.E

Central tables with shelf.
Height: 850 mm



With shelf .E

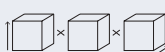
LENGTH	FRAME 600		FRAME 700	
	CODE	CODE	CODE	CODE
600	11660.060.K	11660.060.E	11670.060.K	11670.060.E
800	11660.080.K	11660.080.E	11670.080.K	11670.080.E
1000	11660.100.K	11660.100.E	11670.100.K	11670.100.E
1200	11660.120.K	11660.120.E	11670.120.K	11670.120.E
1400	11660.140.K	11660.140.E	11670.140.K	11670.140.E
1500	11660.150.K	11660.150.E	11670.150.K	11670.150.E
1600	11660.160.K	11660.160.E	11670.160.K	11670.160.E
1800	11660.180.K	11660.180.E	11670.180.K	11670.180.E
2000	11660.200.K	11660.200.E	11670.200.K	11670.200.E
2200	11660.220.K	11660.220.E	11670.220.K	11670.220.E
2400	11660.240.K	11660.240.E	11670.240.K	11670.240.E

LENGTH	CODE	CODE
FRAME 800		
1000	11680.100.E	
1200	11680.120.E	
1400	11680.140.E	
1600	11680.160.E	
1800	11680.180.E	
2000	11680.200.E	

Wall mounted low table with shelf. Height: 600 mm



LENGTH	FRAME 600		FRAME 700	
	CODE	CODE	CODE	CODE
800	116A60.080.E		116A70.080.E	
1000	116A60.100.E		116A70.100.E	
1200	116A60.120.E		116A70.120.E	
1400	116A60.140.E		116A70.140.E	
1600	116A60.160.E		116A70.160.E	



chef tables

Drain valve and overflow tube included.

Wall mounted chef tables with trim and integrated 500 x 400 x 250 mm bowl. Height: 850 mm



CODE	LENGTH x DEPTH
FRAME 600	
115L60.120.K	1200 x 600
115L60.140.K	1400 x 600
115L60.160.K	1600 x 600
115L60.180.K	1800 x 600
115R60.120.K	1200 x 600
115R60.140.K	1400 x 600
115R60.160.K	1600 x 600
115R60.180.K	1800 x 600

CODE	LENGTH x DEPTH
FRAME 700	
115L70.120.K	1200 x 700
115L70.140.K	1400 x 700
115L70.160.K	1600 x 700
115L70.180.K	1800 x 700
115R70.120.K	1200 x 700
115R70.140.K	1400 x 700
115R70.160.K	1600 x 700
115R70.180.K	1800 x 700

Drain valve and overflow tube included.

Wall mounted chef tables with trim, shelf and integrated 500 x 400 x 250 mm bowl. Height: 850 mm



CODE	LENGTH x DEPTH
FRAME 600	
115L60.120.E	1200 x 600
115L60.140.E	1400 x 600
115L60.160.E	1600 x 600
115L60.180.E	1800 x 600
115R60.120.E	1200 x 600
115R60.140.E	1400 x 600
115R60.160.E	1600 x 600
115R60.180.E	1800 x 600



CODE	LENGTH x DEPTH
FRAME 700	
115L70.120.E	1200 x 700
115L70.140.E	1400 x 700
115L70.160.E	1600 x 700
115L70.180.E	1800 x 700
115R70.120.E	1200 x 700
115R70.140.E	1400 x 700
115R70.160.E	1600 x 700
115R70.180.E	1800 x 700

special items




Sink with frame, 1 bowl, 1 drainer surface and sliding doors.

Height: 850 mm




LENGTH x DEPTH	CODE 	CODE 	
FRAME 550			
1000 x 550	114Z55L.100.K	114Z55R.100.K	
1200 x 550	114Z55L.120.K	114Z55R.120.K	
1400 x 550	114Z55L.140.K	114Z55R.140.K	

Sink with frame, 1 bowl and hinged door.




Height: 850 mm

LENGTH x DEPTH	CODE 	
FRAME 600		
600 x 600	114Z60.060.K	
FRAME 700		
700 x 700	114Z70.060.K	




Sink with frame, bowls/drainer surface and sliding doors. Height: 850 mm

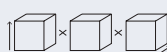
LENGTH x DEPTH	CODE 	CODE 		CODE 	
FRAME 600					
1000 x 600	114Z60L.100.K	114Z60R.100.K		114Z60X.100.K	
1200 x 600	114Z60L.120.K	114Z60R.120.K		114Z60X.120.K	
1400 x 600	114Z60L.140.K	114Z60R.140.K			
FRAME 700					
1000 x 700	114Z70L.100.K	114Z70R.100.K		114Z70X.100.K	
1200 x 700	114Z70L.120.K	114Z70R.120.K		114Z70X.120.K	
1300 x 700	114Z70L.130.K	114Z70R.130.K			
1400 x 700	114Z70L.140.K	114Z70R.140.K		114Z70X.140.K	

Sink with frame, 2 bowls, drainer surface and sliding doors. Height: 850 mm

LENGTH x DEPTH	CODE 	CODE 		CODE 	
FRAME 600					
1400 x 600	114Z60L2.140.K	114Z60R2.140.K			
1600 x 600	114Z60L2.160.K	114Z60R2.160.K			
1800 x 600	114Z60L2.180.K	114Z60R2.180.K			
2000 x 600				114Z60X2.200.K	

Sink with frame, bowls/drainer surface and sliding doors. Height: 850 mm



LENGTH x DEPTH	CODE 	CODE 		CODE 	
FRAME 700					
1600 x 700	114Z70L2.160.K	114Z70R2.160.K			
1800 x 700	114Z70L2.180.K	114Z70R2.180.K		114Z70X3.180.K	





special items



Sink with frame, 1 bowl, 1 drainer surface, hinged door and space for dishwasher. Height: 850 mm

LENGTH x DEPTH	CODE 	CODE 	
FRAME 550			
1200 x 550	114V55L.120.K	114V55R.120.K	
1400 x 550	114V55L.140.K	114V55R.140.K	
FRAME 600			
1200 x 600	114V60L.120.K	114V60R.120.K	
1400 x 600	114V60L.140.K	114V60R.140.K	
FRAME 700			
1200 x 700	114V70L.120.K	114V70R.120.K	
1400 x 700	114V70L.140.K	114V70R.140.K	

Sink with frame, 2 bowls, drainer surface, sliding door and space for dishwasher. Height: 850 mm

LENGTH x DEPTH	CODE 	CODE 	
FRAME 600			
1800 x 600	114V60L2.180.K	114V60R2.180.K	
FRAME 700			
1800 x 700	114V70L2.180.K	114V70R2.180.K	







Without shelf



With shelf

Sink with frame, 1 bowl, 1 drainer surface, and space for dishwasher. Height: 850 mm

LENGTH x DEPTH	Sink + frame		Sink + frame + shelf		
	CODE 	CODE 	CODE 	CODE 	
FRAME 550					
1200 x 550	114S55L.120.K	114S55R.120.K	114S55L.120.E	114S55R.120.E	
1400 x 550	114S55L.140.K	114S55R.140.K	114S55L.140.E	114S55R.140.E	
FRAME 600					
1200 x 600	114S60L.120.K	114S60R.120.K	114S60L.120.E	114S60R.120.E	
1400 x 600	114S60L.140.K	114S60R.140.K	114S60L.140.E	114S60R.140.E	
1800 x 600	114S60L2.180.K	114S60R2.180.K	114S60L2.180.E	114S60R2.180.E	
FRAME 700					
1200 x 700	114S70L.120.K	114S70R.120.K	114S70L.120.E	114S70R.120.E	
1400 x 700	114S70L.140.K	114S70R.140.K	114S70L.140.E	114S70R.140.E	
1800 x 700	114S70L2.180.K	114S70R2.180.K	114S70L2.180.E	114S70R2.180.E	

special items

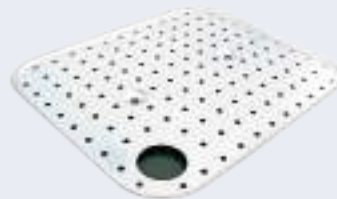


NEW

Detachable side lateral splash for industrial sinks

Material
AISI 304 stainless steel

DIMENSIONS	CODE	CODE	
100 x 550	11501.55D.S	11501.55I.S	
100 x 600	11501.60D.S	11501.60I.S	
100 x 700	11501.70D.S	11501.70I.S	



NEW

Perforated bases for industrial sinks

Material
AISI 304 stainless steel

DIMENSIONS	CODE	CODE	
500 x 400	11502.40D.S	11502.40I.S	
500 x 500	11502.50D.S	11502.50I.S	
600 x 500	11502.60D.S	11502.60I.S	



115Z40.100.S

Wall cabinet with sliding doors and draining rack.

Dimensions
400 x 1000 x 600 mm. 1'-3 3/4" x 3'-3 3/8" x 1'-11 5/8"



11560.100.S

Counter with one shelf.

Dimensions
1050 x 1000 x 600 mm.
3'-5 3/8" x 3'-3 3/8" x 1'-11 5/8"



11527.S

Cutting table

Dimensions
850 x 500 x 500 mm
2'-9 1/2" x 1'-7 3/4" x 1'-7 3/4"



11509.60.S

Module with three drawers

Dimensions
510 x 465 x 590 mm
1'-8 1/8" x 1'-6 1/4" x 1'-11 1/4"



11508.S

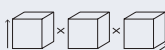
High capacity drawer

Dimensions
150 x 460 x 450 mm
5 7/8" x 1'-6 1/8" x 1'-5 3/4"

11509.70.S

Module with three drawers

Dimensions
610 x 465 x 590 mm
2' x 1'-6 1/4" x 1'-11 1/4"



special items



11510.S

Spare wheels,
four units pack



11532.K

Trim ring for hole in clearing tables
and sinks

Material
Caucho de alta densidad

Dimensions
Ø 200 mm. Ø 7 7/8"



11530.S

Cleaner's sink

Material
AISI 304 stainless steel

Dimensions
500 x 600 x 600 mm
1'-7 3/4" x 1'-11 5/8" x 1'-11 5/8"



NEW

11503.S

Industrial sink support

Material
AISI 304 stainless steel



NEW

11504.S

Industrial sink wall support

Material
AISI 304 stainless steel



NEW

11531.S

Waste industrial sink with grid

Material
AISI 304 stainless steel

Dimensions
160 x 362 x 365 mm
6 1/4" x 1'-2 1/4" x 1'-2 3/8"



NEW

11505.4.S

4 legs

Material
AISI 304 stainless steel



NEW

11505.6.S

6 legs

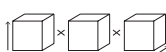
Material
AISI 304 stainless steel

FAUCET HOLE

Faucet hole for industrial sinks.
For industrial sinks in special units
with space for dishwasher the hole
cannot be between the drainer and
the tray

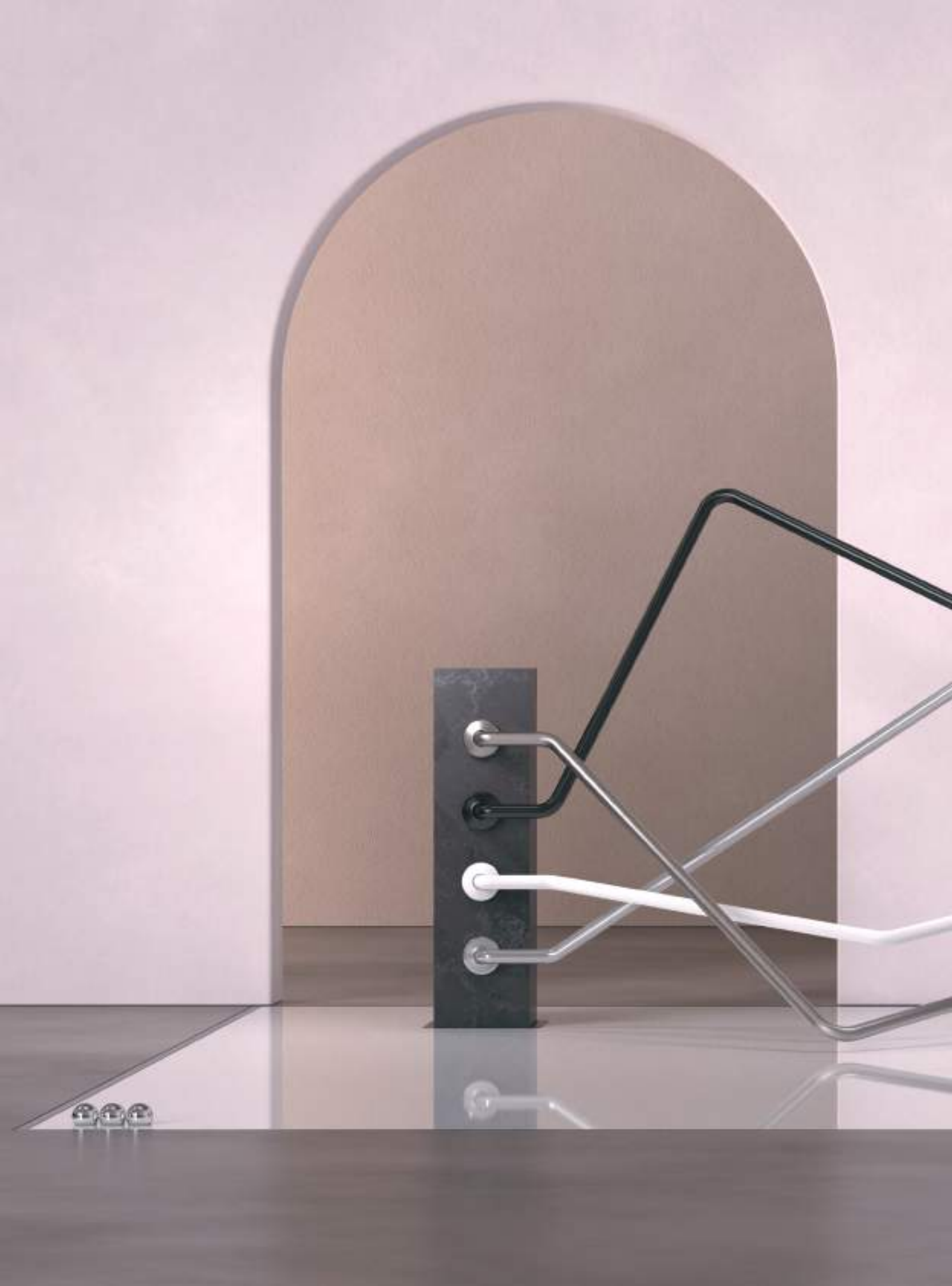
Dimensions
Ø 33 mm

MODEL	POSITION	CODE	
Right	<input type="checkbox"/>	OP.0154.D	
Left	<input type="checkbox"/>	OP.0154.I	
Centered	<input type="checkbox"/>	OP.0154.C	
Between sink	<input type="checkbox"/>	OP.0154.EC	





INDUSTRIAL
FURNITURE







grab bars inox straight

Straight bars with two points of support. Anti-conductive kit and bolts included.

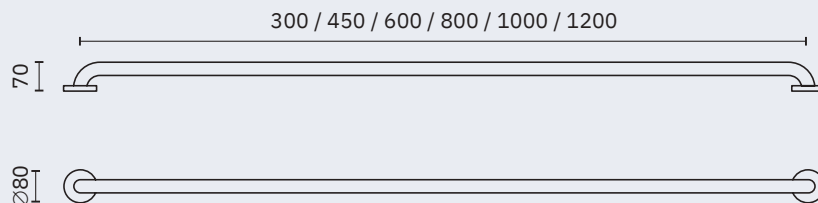
Finish
Satin (.S) Polished (.B) White (.W) Black (.N)
White (.F)

Material

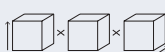
AISI 304 stainless steel for finishes (.S), (.B), (.W) and (.N)
White epoxy painted steel for finish (.F)

Grab bar Ø
32 mm, 1 1/4"

Inox AISI 304 (.B) Inox AISI 304 (.S) Inox AISI 304 (.W) Inox AISI 304 (.N) White epoxy steel (.F)



Dimensions (Length)	AISI 304-Satin	AISI 304-Polished	AISI 304-White	AISI 304-Black	Epoxy-White
1200 mm. 3'-11 1/4"	15054.120.S	15054.120.B	15054.120.W		
1000 mm. 3'-3 3/8"	15054.100.S	15054.100.B	15054.100.W		
800 mm. 2'-7 1/2"	15054.80.S	15054.80.B	15054.80.W	15054.80.N	15054.80.F
600 mm. 1'-11 5/8"	15054.60.S	15054.60.B	15054.60.W	15054.60.N	15054.60.F
450 mm. 1'-5 3/4"	15054.45.S	15054.45.B	15054.45.W	15054.45.N	15054.45.F
300 mm. 11 3/4"	15054.30.S	15054.30.B	15054.30.W	15054.30.N	15054.30.F



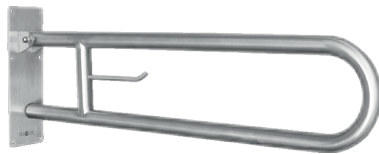
grab bars inox foldable

Material
 AISI 304 stainless steel for finishes (.S), (.B), (.W) and (.N)
 White epoxy painted steel for finish (.F)

Bar diameter
 32 mm, 1 1/4"

Anti-conductive kit and bolts included

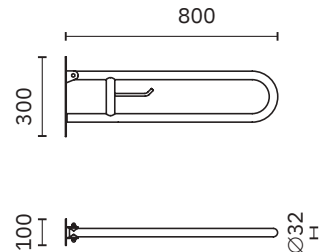
Finish
 Satin (.S) Polished (.B) White (.W) Black (.N) White (.F)



- 15051.80.S
- 15051.80.B
- 15051.80.W
- 15051.80.N
- 15051.80.F

With toilet paper roll holder

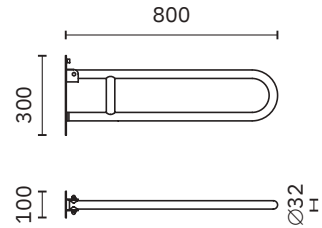
Dimensions
 300 x 800 x 100 mm
 11 3/4" x 2'-7 1/2" x 3 7/8"



- 15051.SP.80.S
- 15051.SP.80.B
- 15051.SP.80.W

Without toilet paper roll holder

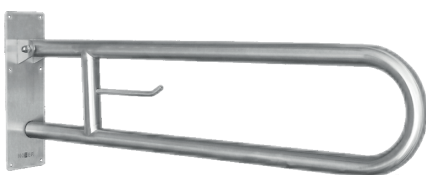
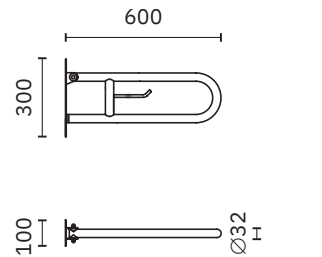
Dimensions
 300 x 800 x 100 mm
 11 3/4" x 2'-7 1/2" x 3 7/8"



- 15051.60.S
- 15051.60.B
- 15051.60.W
- 15051.60.N
- 15051.60.F

With toilet paper roll holder

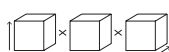
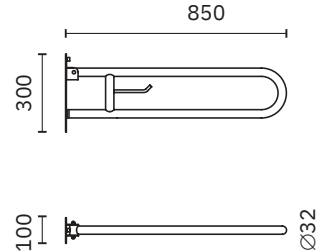
Dimensions
 300 x 600 x 100 mm
 11 3/4" x 1'-11 5/8" x 3 7/8"



- 15051.85.S
- 15051.85.B
- 15051.85.W

With toilet paper roll holder

Dimensions
 300 x 850 x 100 mm
 11 3/4" x 2'-9 1/2" x 3 7/8"



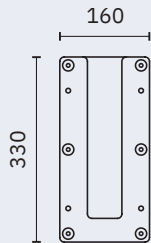
grab bars inox foldable

Material
 AISI 304 stainless steel for finishes (.S), (.B), (.W) and (.N)
 White epoxy painted steel for finish (.F)

Bar diameter
 32 mm, 1 1/4"

Anti-conductive kit and bolts included

Finish
 Satin (.S) Polished (.B) White (.W) Black (.N)

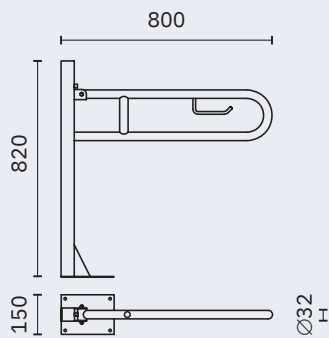


15053.S 15053.B

15053.W

Set of fixings for hotels.
 Suitable for
 15051.80, 15051.60, 15051.85, 15206

Dimensions
 330 x 160 mm
 1'-1" x 6 1/4"

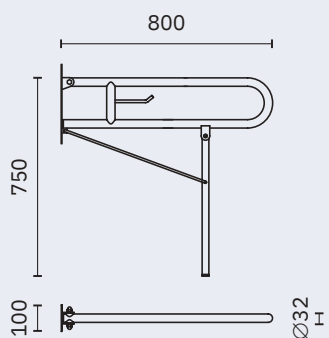


15064.S 15064.B

15064.W 15064.N

With anchor to flooring and toilet
 paper roll holder

Dimensions
 820 x 800 x 150 mm
 2'-8 1/4" x 2'-7 1/2" x 5 7/8"

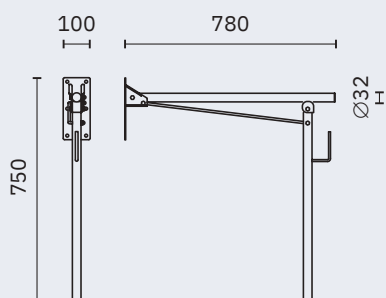


15206.S 15206.B

15206.W 15206.N

With support leg to floor and
 toilet paper roll holder

Dimensions
 750 x 800 x 100 mm
 2'-5 1/2" x 2'-7 1/2" x 3 7/8"

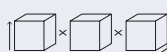


15062.S 15062.B

15062.W

With support leg to floor and
 toilet paper roll holder

Dimensions
 750 x 780 x 100 mm
 2'-5 1/2" x 2'-6 3/4" x 3 7/8"



wall support grab bars

Material
AISI 304 stainless steel

Bar diameter
32 mm, 1 1/4"

Finish
Satin (.S) Polished (.B) White (.W)

Anti-conductive kit and bolts included

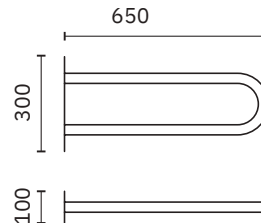
NEW



15055.S 15055.B

Stainless steel grab bar

Dimensions
300 x 650 x 100 mm
11 3/4" x 2'-1 5/8" x 3 7/8"



NEW

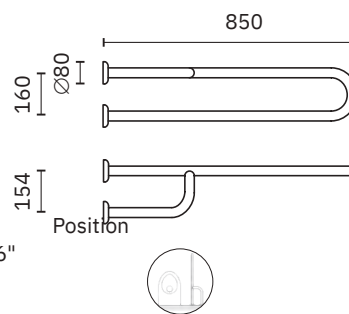


15047.85.S 15047.85.B

15047.85.W

Triple wall support

Dimensions
160 x 850 x 154 mm. 6 1/4" x 2'-9 1/2" x 6"

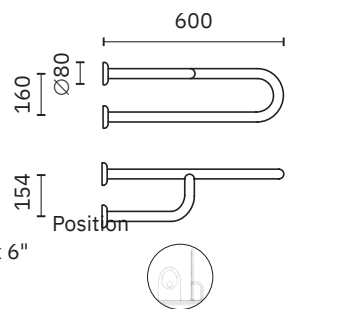


15047.S 15047.B

15047.W

Triple wall support

Dimensions
160 x 600 x 154 mm. 6 1/4" x 1'-11 5/8" x 6"



NEW

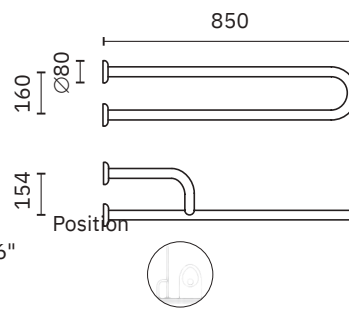


15048.85.S 15048.85.B

15048.85.W

Triple wall support

Dimensions
160 x 850 x 154 mm. 6 1/4" x 2'-9 1/2" x 6"

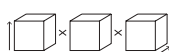
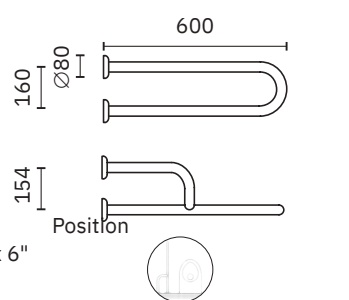


15048.S 15048.B

15048.W

Triple wall support

Dimensions
160 x 600 x 154 mm. 6 1/4" x 1'-11 5/8" x 6"



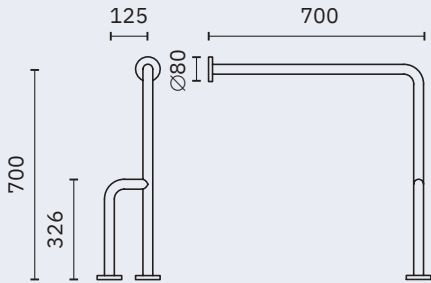
wall-floor support grab bars

Material
AISI 304 stainless steel

Bar diameter
32 mm, 1 1/4"

Finish
Satin (.S) Polished (.B) White (.W)

Anti-conductive kit and bolts included



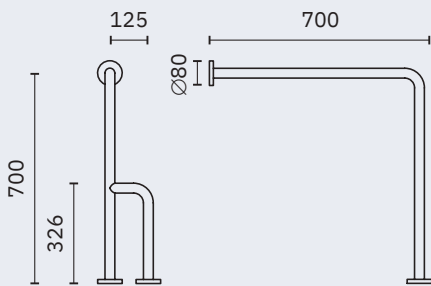
15203.S

15203.B

15203.W

Dimensions
700 x 125 x 700 mm
2'-3 1/2" x 0 7/8" x 2'-3 1/2"

Position



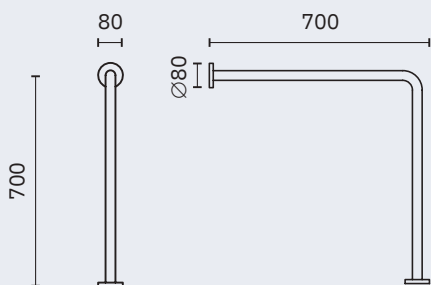
15204.S

15204.B

15204.W

Dimensions
700 x 125 x 700 mm
2'-3 1/2" x 0 7/8" x 2'-3 1/2"

Position



15198.S

15198.B

15198.W

Dimensions
700 x 700 x 32 mm
2'-3 1/2" x 2'-3 1/2" x 1 1/4"

Position

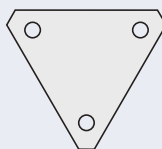


NON-CONDUCTIVE PLATES



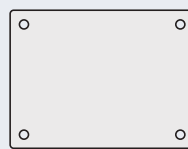
15210.K

Suitable for 15051 and 15062 grab



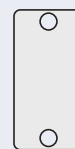
15211.K

Suitable for straight bars (two units needed)



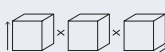
15213.K

Suitable for 15064 bars



15220.K

Suitable for 15045 and 15046 shower seats. 15045 requires two units, 15046 requires three units



grab bars inox angular

Material
AISI 304 stainless steel

Bar diameter
32 mm, 1 1/4"

Finish
Satin (.S) Polished (.B) White (.W)

Anti-conductive kit and bolts included

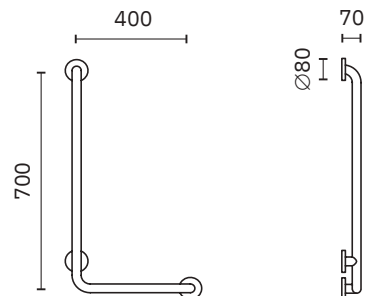


15158.S

15158.B

15158.W

Dimensions
700 x 400 x 70 mm
2'-3 1/2" x 1'-3 3/4" x 2 3/4"

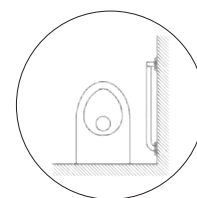


15258.S

15258.B

15258.W

Dimensions
1200 x 400 x 70 mm
3'-11 1/4" x 1'-3 3/4" x 2 3/4"



15058.W

Dimensions
460 x 300 x 70 mm
1'-6 1/8" x 11 3/4" x 2 3/4"

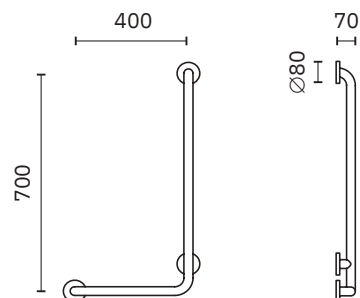


15159.S

15159.B

15159.W

Dimensions
700 x 400 x 70 mm
2'-3 1/2" x 1'-3 3/4" x 2 3/4"

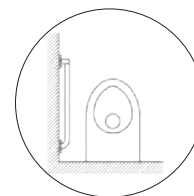


15259.S

15259.B

15259.W

Dimensions
1200 x 400 x 70 mm
3'-11 1/4" x 1'-3 3/4" x 2 3/4"

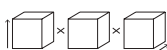


15059.B

15059.W

Without rosette

Dimensions
460 x 300 x 70 mm
1'-6 1/8" x 11 3/4" x 2 3/4"



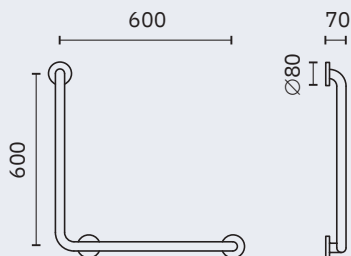
grab bars inox angular

Material
AISI 304 stainless steel

Bar diameter
32 mm, 1 1/4"

Finish
Satin (.S) Polished (.B) White (.W) Black (.N)

Anti-conductive kit and bolts included



15060.S

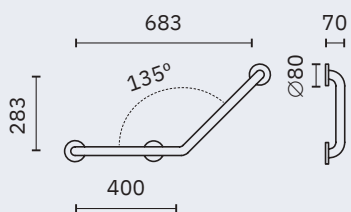
15060.B

15060.W

15060.N

Reversible position

Dimensions
600 x 600 x 70 mm
1'-11 5/8" x 1'-11 5/8" x 2 3/4"



15161.S

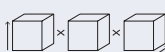
15161.B

15161.W

15161.N

135° angle

Dimensions
283 x 683 x 70 mm
11 1/8" x 2'-2 7/8" x 2 3/4"



grab bars inox angular

Material
AISI 304 stainless steel

Bar diameter
32 mm, 1 1/4"

Finish
Satin (.S) Polished (.B) White (.W) Black (.N)

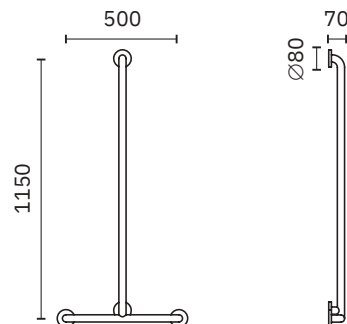
Anti-conductive kit and bolts included



15162.S 15162.B

15162.W

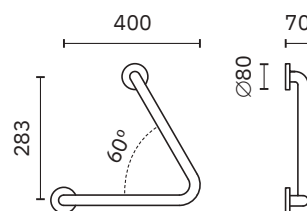
Dimensions
1150 x 500 x 70 mm
3'-9 1/4" x 1'-7 5/8" x 2 3/4"



15069.S 15069.B

15069.W

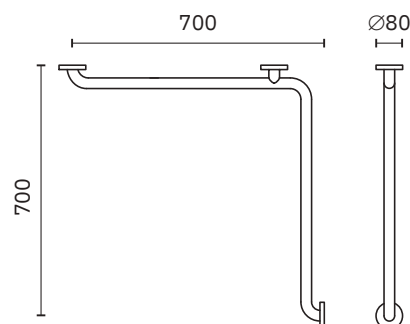
60° angle
Dimensions
362 x 400 x 70 mm
11 1/8" x 1'-3 3/4" x 2 3/4"



15052.S 15052.B

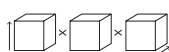
15052.W 15052.N

90° angle
Dimensions
700 x 700 x 32 mm
2'-3 1/2" x 2'-3 1/2" x 1 1/4"



15209.34.B 15209.32.B

Support for shower head Support for shower head
Suitable for bar Suitable for bar
Ø 34 mm, Ø 1 3/8" Ø 32 mm, Ø 1 1/4"



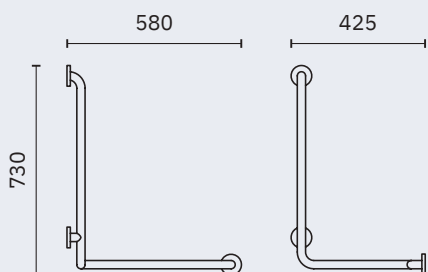
grab bars inox angular

Material
AISI 304 stainless steel

Bar diameter
32 mm, 1 1/4"

Finish
Satin (.S) Polished (.B) White (.W)

Anti-conductive kit and bolts included



15049.S 15049.B

15049.W

Double angle bar

Dimensions
730 x 580 x 425 mm
2'-4 3/4" x 1'-10 7/8" x 1'-4 3/4"

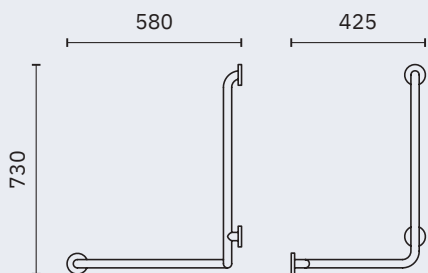
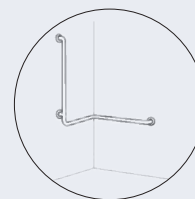


15149.S 15149.B

15149.W

Double angle bar

Dimensions
1200 x 580 x 425 mm
3'-11 1/4" x 1'-10 7/8" x 1'-4 3/4"



15050.S 15050.B

15050.W

Double angle bar

Dimensions
730 x 580 x 425 mm
2'-4 3/4" x 1'-10 7/8" x 1'-4 3/4"

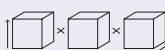
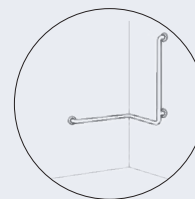


15150.S 15150.B

15150.W

Double angle bar

Dimensions
1200 x 580 x 425 mm
3'-11 1/4" x 1'-10 7/8" x 1'-4 3/4"





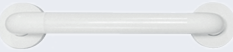

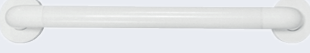
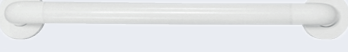
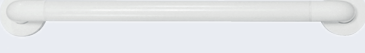
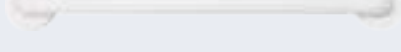


straight and swing-up nylon grab bars

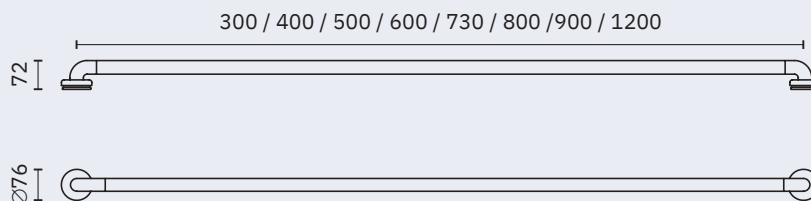
Material
Aluminum coated with polymer anti-bacteria.
Brackets in AISI 304 stainless steel with NYLON trim

Finish
White

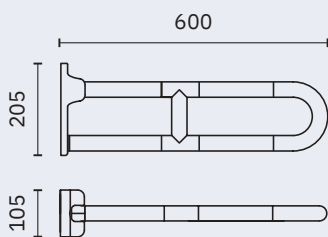
Bar Ø
34 mm, 1 3/8"

STRAIGHT BARS

15054.30.NBA	300 mm	
15054.40.NBA	400 mm	
15054.50.NBA	500 mm	
15054.60.NBA	600 mm	
15054.73.NBA	730 mm	
15054.80.NBA	800 mm	
15054.90.NBA	900 mm	
15054.120.NBA	1200 mm	

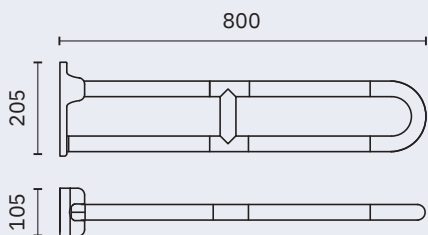


FOLDING BARS



15051.60.NBA

Dimensions
205 x 600 x 105 mm
5 1/8" x 1'-11 5/8" x 4 1/8"



15051.80.NBA

Dimensions
205 x 800 x 105 mm
5 1/8" x 2'-7 1/2" x 4 1/8"


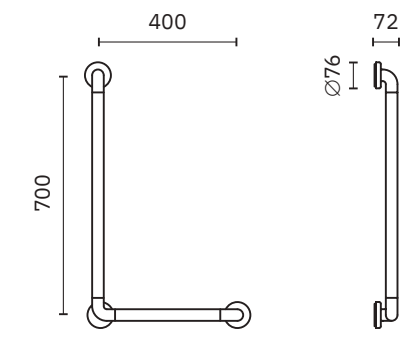

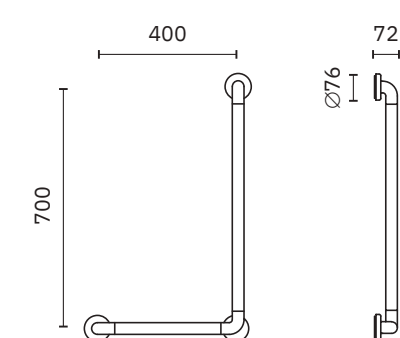

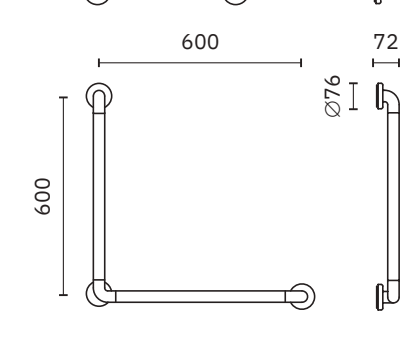

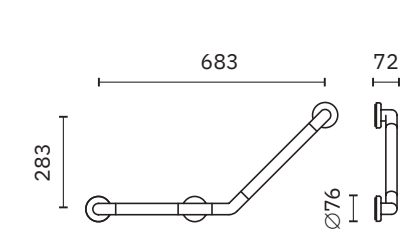

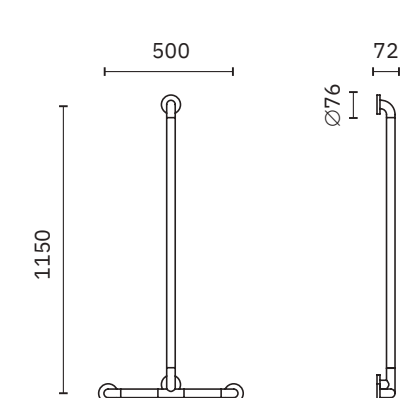


angled nylon grab bars

Material
Aluminum coated with polymer anti-bacteria.
Brackets in AISI 304 stainless steel with NYLON trim

Finish
White

Bar \varnothing
34 mm, 1 3/8"

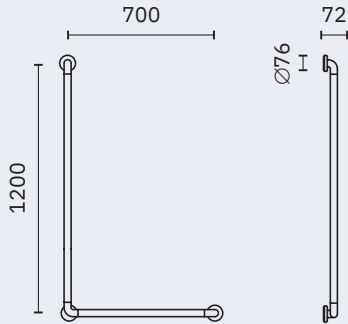
	<p>15158.NBA</p> <p>Dimensions 700 x 400 x 72 mm 2'-3 1/2" x 1'-3 3/4" x 2 7/8"</p>	
	<p>15159.NBA</p> <p>Dimensions 700 x 400 x 72 mm 2'-3 1/2" x 1'-3 3/4" x 2 7/8"</p>	
	<p>15060.NBA</p> <p>Dimensions 600 x 600 x 72 mm 1'-11 5/8" x 1'-11 5/8" x 2 7/8"</p>	
	<p>15161.NBA</p> <p>Dimensions 683 x 283 x 72 mm 2'-2 7/8" x 11 1/8" x 2 7/8"</p>	
	<p>15162.NBA</p> <p>Dimensions 1150 x 500 x 72 mm 3'-9 1/4" x 1'-7 5/8" x 2 7/8"</p>	

angled nylon grab bars

Material
Aluminum coated with polymer anti-bacteria.
Brackets in AISI 304 stainless steel with NYLON trim

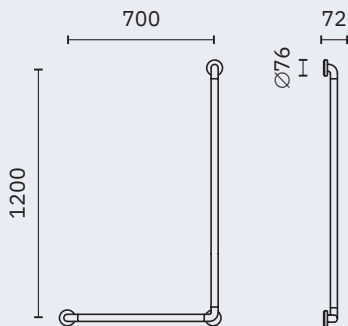
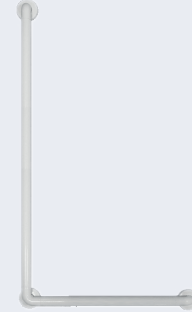
Finish
White

Bar Ø
34 mm, 1 3/8"



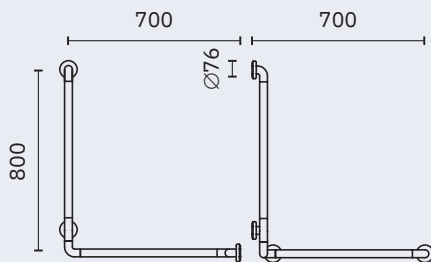
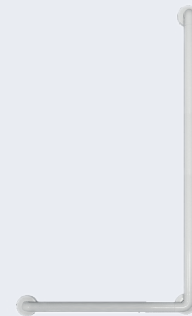
15158.120.70.NBA

Dimensions
1200 x 700 x 72 mm
3'-11 1/4" x 2'-3 1/2" x 2 7/8"



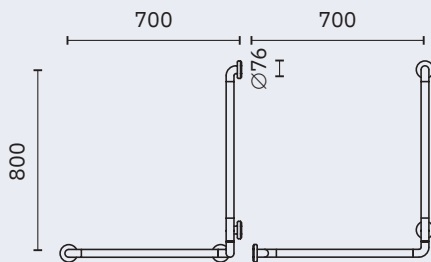
15159.120.70.NBA

Dimensions
1200 x 700 x 72 mm
3'-11 1/4" x 2'-3 1/2" x 2 7/8"



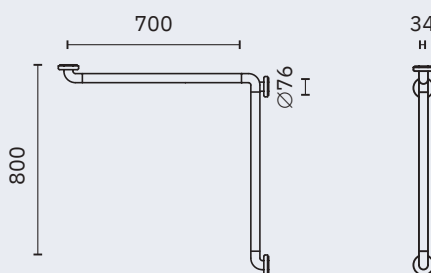
15049.NBA

Dimensions
800 x 700 x 700 mm
2'-7 1/2" x 2'-3 1/2" x 2'-3 1/2"



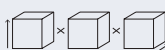
15050.NBA

Dimensions
800 x 700 x 700 mm
2'-7 1/2" x 2'-3 1/2" x 2'-3 1/2"



15052.NBA

Dimensions
800 x 700 x 34 mm
2'-7 1/2" x 2'-3 1/2" x 1 3/8"



nylon grab bars

Material
Aluminum coated with polymer anti-bacteria.
Brackets in AISI 304 stainless steel with NYLON trim

Finish
White

Bar Ø
34 mm, 1 3/8"

15209.34.NBA



NYLON support for shower head

Suitable for bars
Ø 34 mm
Ø 1 3/8"

15209.32.NBA

NYLON support for shower head

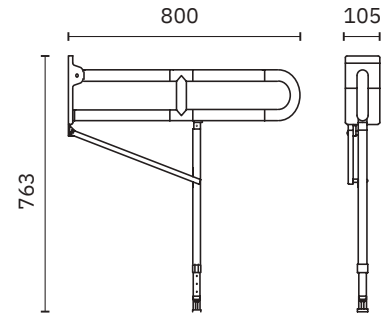
Suitable for bars
Ø 32 mm
Ø 1 3/8"

15206.NBA



Folding bar with support to ground. Height-adjustable leg

Dimensions
763 x 800 x 105 mm
2'-6" x 2'-7 1/2" x 4 1/8"



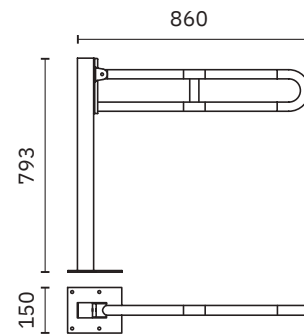
15064.NBA



Folding bar with anchor to floor

Total dimensions
793 x 860 x 150 mm
2'-7 1/4" x 2'-9 7/8" x 5 7/8"

Support height 800 mm
2'-7 1/2"

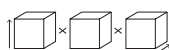
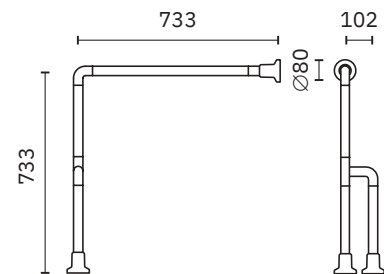


15203.NBA



Wall-floor bar with double support to floor. Reversible position

Dimensions
733 x 102 x 733 mm
2'-4 7/8" x 4" x 2'-4 7/8"

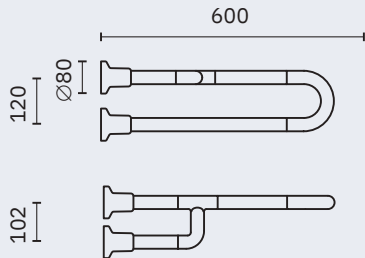


nylon grab bars

Material
Aluminum coated with polymer anti-bacteria.
Brackets in AISI 304 stainless steel with NYLON trim

Finish
White

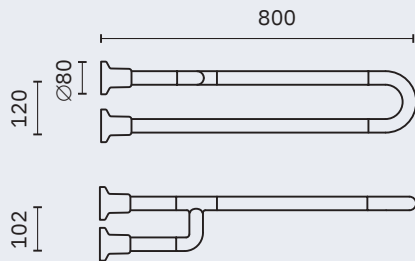
Bar Ø
34 mm, 1 3/8"



15047.60.NBA

With triple wall support.
Reversible position

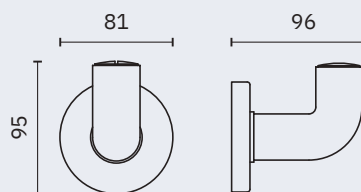
Dimensions
120 x 600 x 102 mm
4 3/4" x 1'-11 5/8" x 4"



15047.80.NBA

With triple wall support.
Reversible position

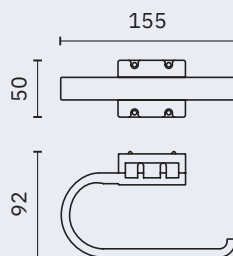
Dimensions
120 x 800 x 102 mm
4 3/4" x 2'-7 1/2" x 4"



15071.NBA

Hook

Dimensions
95 x 81 x 96 mm
3 3/4" x 3 1/4" x 3 3/4"

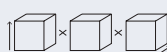


15051.NPR

Adaptable toilet paper holder and folding bar

Material
White ABS

Dimensions
50 x 155 x 92 mm
2" x 6 1/8" x 3 5/8"



nylon grab bars

Material
Polyamide-coated Aluminum

Bar diameter
36 mm, 1 3/8"

Finish
White



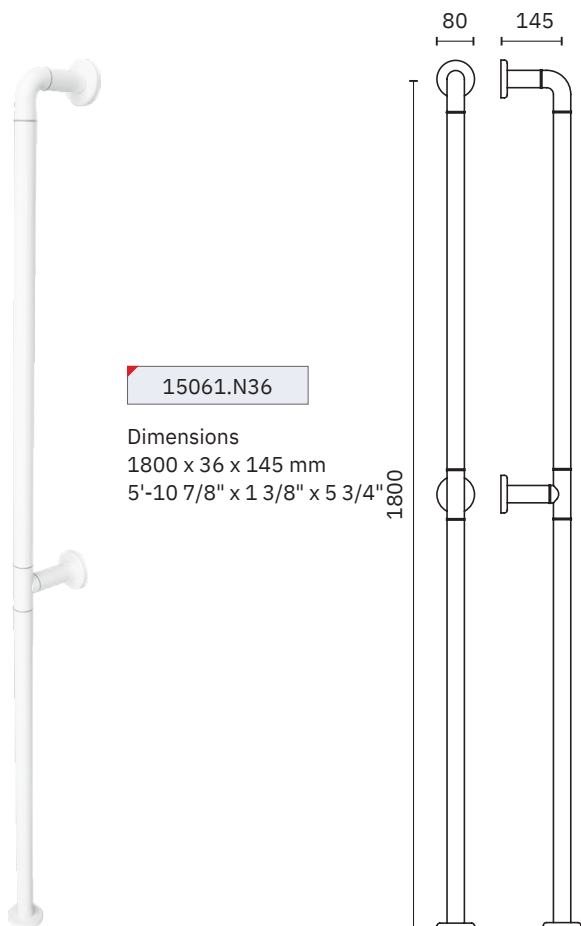
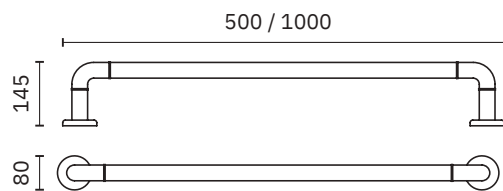
1000 mm

15054.100.N36



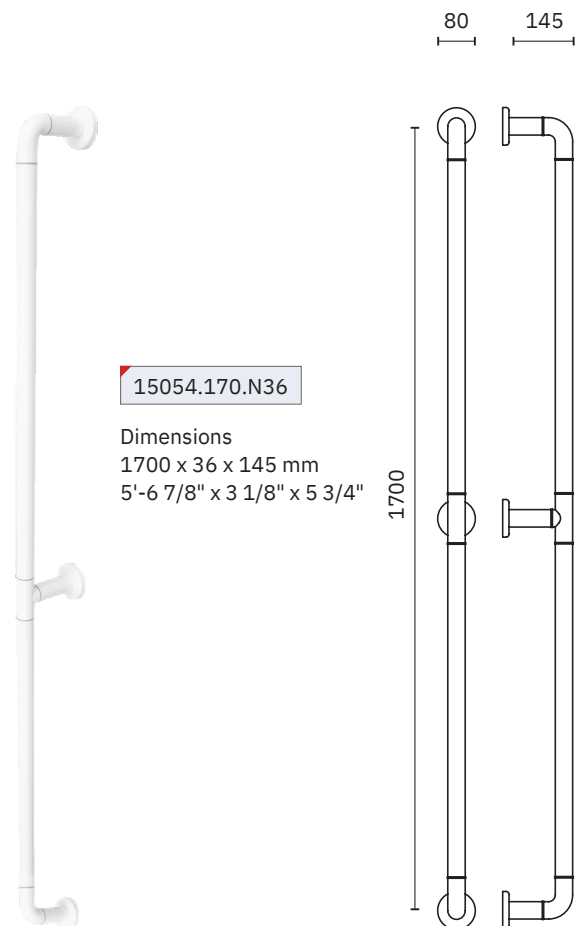
500 mm

15054.50.N36



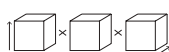
15061.N36

Dimensions
1800 x 36 x 145 mm
5'-10 7/8" x 1 3/8" x 5 3/4"



15054.170.N36

Dimensions
1700 x 36 x 145 mm
5'-6 7/8" x 3 1/8" x 5 3/4"

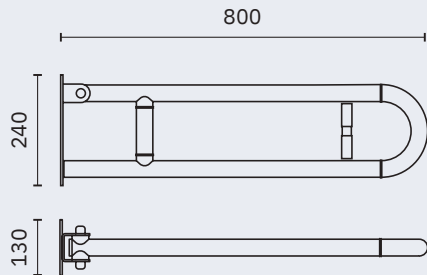


nylon grab bars

Material
Polyamide-coated Aluminum

Bar diameter
36 mm, 1 3/8"

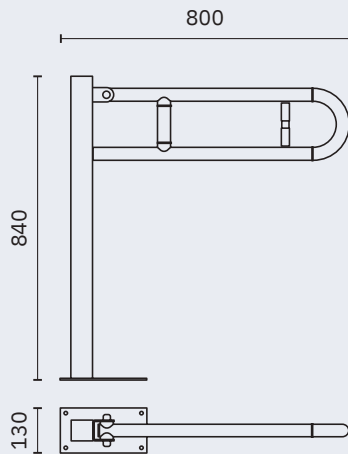
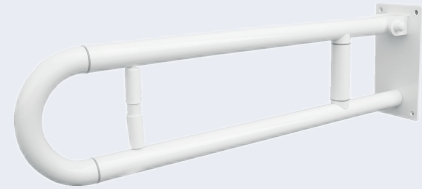
Finish
White



15051.80.N36

Folding support bar.
Wall flange to support of
galvanized steel

Dimensions
240 x 800 x 130 mm
9 1/2" x 2'-7 1/2" x 5 1/8"

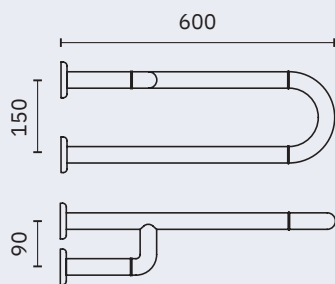


15064.N36

Folding support bar with
support to floor

Total dimensions
840 x 130 x 800 mm
2'-9" x 5 1/8" x 2'-7 1/2"

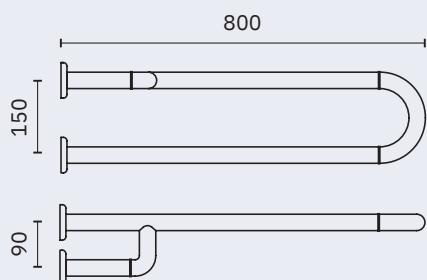
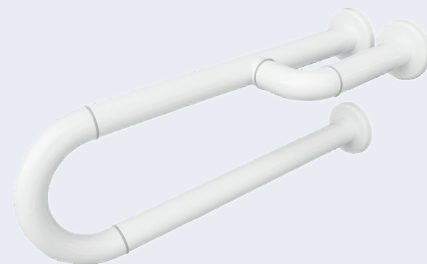
Support height
750 mm



15047.60.N36

Bar with triple wall support.
Reversible position

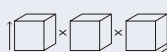
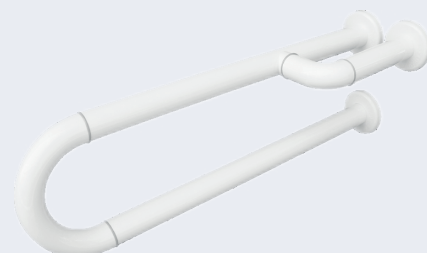
Dimensions
150 x 600 x 90 mm
5 7/8" x 1'-11 5/8" x 3 1/2"



15047.80.N36

Bar with triple wall support.
Reversible position

Dimensions
150 x 800 x 90 mm
5 7/8" x 2'-7 1/2" x 3 1/2"



angled nylon grab bars

Material
Polyamide-coated Aluminum

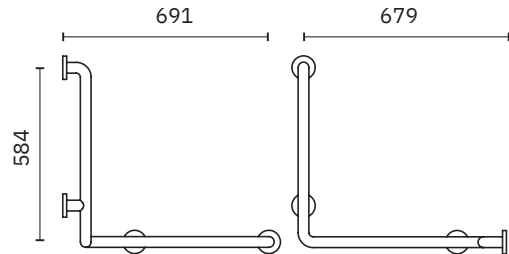
Bar diameter
36 mm, 1 3/8"

Finish
White



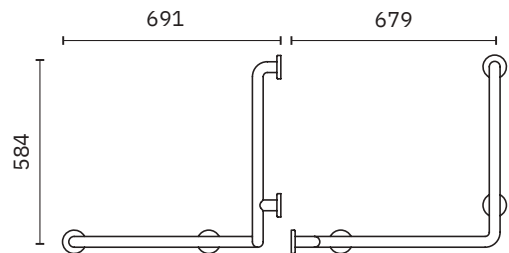
15049.N36

Dimensions
584 x 691 x 679 mm
1'-11" x 2'-3 1/4" x 2'-2 3/4"



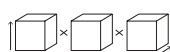
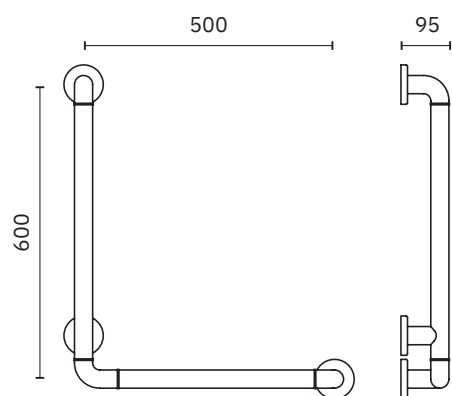
15050.N36

Dimensions
584 x 691 x 679 mm
1'-11" x 2'-3 1/4" x 2'-2 3/4"



15158.N36

Dimensions
600 x 500 x 65 mm
1'-11 5/8" x 1'-7 3/4" x 2 1/2"

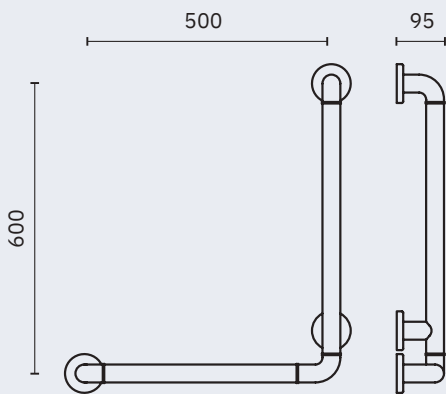


angled nylon grab bars

Material
Polyamide-coated Aluminum

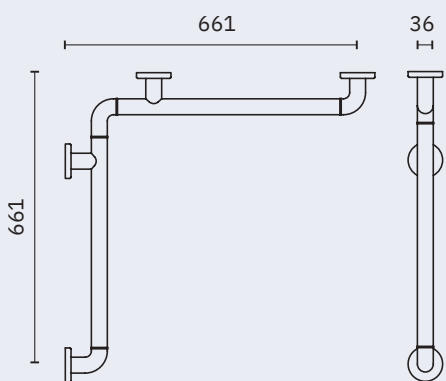
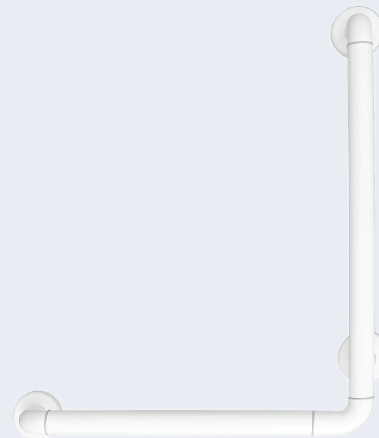
Bar diameter
36 mm, 1 3/8"

Finish
White



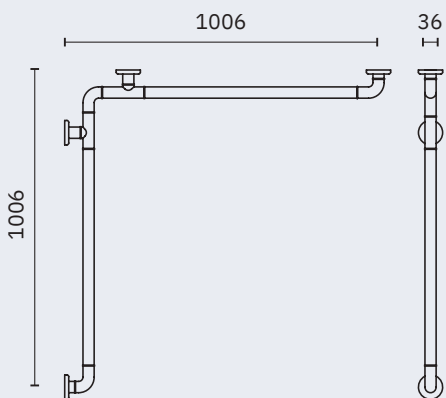
15159.N36

Dimensions
600 x 500 x 65 mm
1'-11 5/8" x 1'-7 3/4" x 2 1/2"



15052.N36

Dimensions
661 x 661 x 36 mm
2'-2" x 2'-2" x 1 3/8"

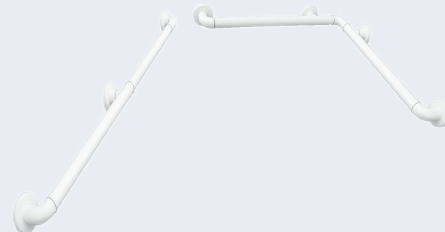


15052.105.N36

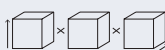
Two grab bar set: angled and straight

Dimensions
1006 x 1006 x 36 mm
3'-3 5/8" x 3'-3 5/8" x 1 3/8"

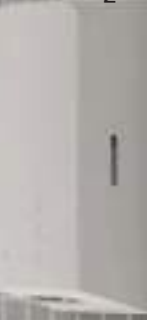
36 x 1612 x 95 mm
1 3/8" x 5'-3 1/2" x 3 3/4"



MOBILITY







nylon folding shower seats

Material
Antibacterial
Polypropylene. AISI 304 stainless steel wall fixations

Finish
White

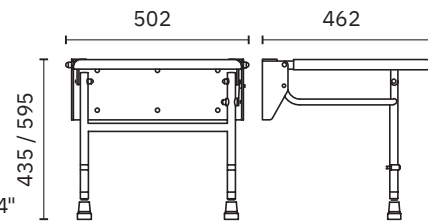
NEW



15045.NBA

Folding shower seat with two adjustable legs

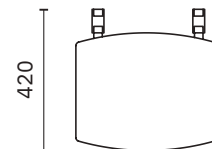
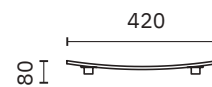
Dimensions
435-595 x 502 x 462 mm
1'-5 1/8" - 1'-11 3/8" x 1'-7 3/4" x 1'-6 1/4"



15042.NBA

Folding seat

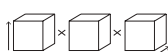
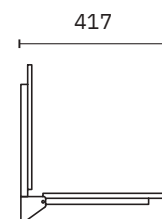
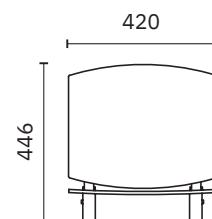
Dimensions
80 x 420 x 420 mm
3 1/8" x 1'-4 1/2" x 1'-4 1/2"



15042.FIX.NBA

Folding seat with backrest

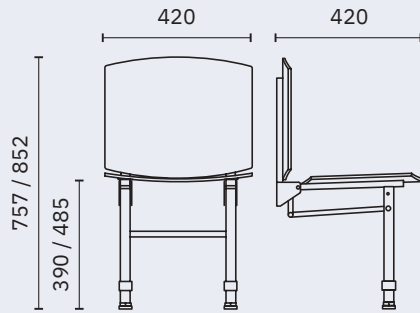
Dimensions
446 x 420 x 417 mm
1'-5 1/2" x 1'-4 1/2" x 1'-4 3/8"



nylon folding shower seats

Material
Antibacterial
Polypropylene. AISI 304 stainless steel wall fixations

Finish
White
Black (.N)

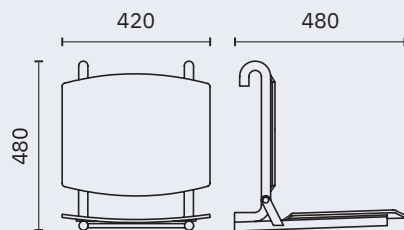


15042.PAT.NBA

15042.PAT.N

Folding seat with backrest and two adjustable legs

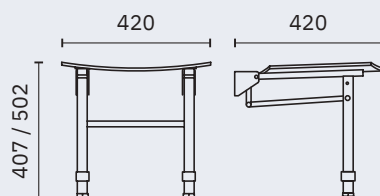
Dimensions
740 - 835 x 420 x 420 mm
2'-5 1/8" - 2'-8 7/8" x 1'-4 1/2" x 1'-4 1/2"



15042.MOV.NBA

Removable and foldable seat with backrest

Dimensions
480 x 420 x 480 mm
1'-6 7/8" x 1'-4 1/2" x 1'-6 7/8"

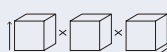


15042.PIE.NBA

15042.PIE.N

Folding seat with backrest and two adjustable legs

Dimensions
407 - 502 x 420 x 420 mm
1'-4" - 1'-7 3/4" x 1'-4 1/2" x 1'-4 1/2"



folding shower seats

Material
AISI 304 stainless steel

Finish
Satin (.S) Polished (.B) White (.W)



15045.S

15045.B

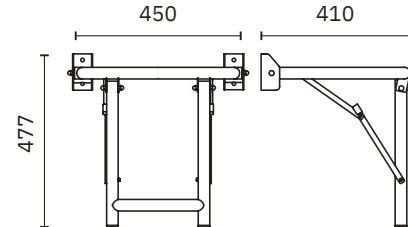
15045.W

With double support to floor

Dimensions

477 x 450 x 410 mm

1'-6 3/4" x 1'-5 3/4" x 1'-4 1/8"



15046.S

15046.B

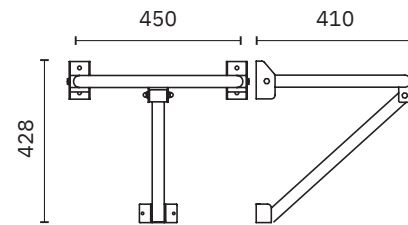
15046.W

With wall support

Dimensions

428 x 450 x 410 mm

1'-4 7/8" x 1'-5 3/4" x 1'-4 1/8"



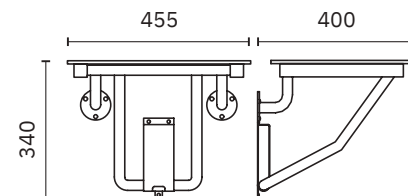
15065.S

With phenolic board seat and wall support

Dimensions

340 x 455 x 400 mm

1'-3 3/4" x 1'-5 7/8" x 1'-3 3/4"



15065.50.S

With phenolic board seat and wall support

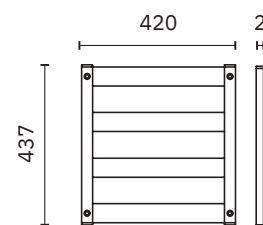
Dimensions

Seat: 340 x 500 x 530 mm

1'-3 3/4" x 1'-8 7/8" x 1'-8 7/8"

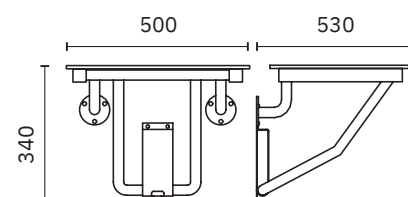
Closed: 437 x 420 x 2 mm

1'-5 1/4" x 1'-4 1/2" x 3/4"



15077.S

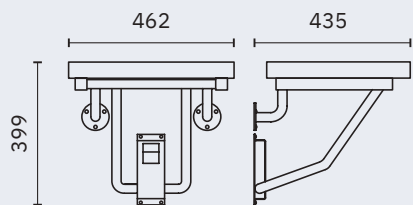
Backrest for shower seat



folding shower seats

Material
AISI 304 stainless steel

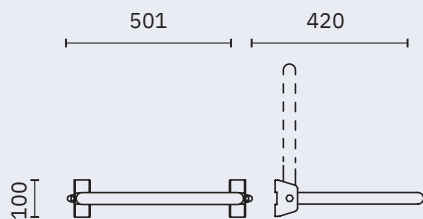
Finish
Satin (.S) Polished (.B) White (.W) Black (.N)



15066.S

With seat cushion and wall support

Dimensions
399 x 462 x 435 mm
1'-3 3/4" x 1'-6 1/4" x 1'-5 1/8"



15041.S

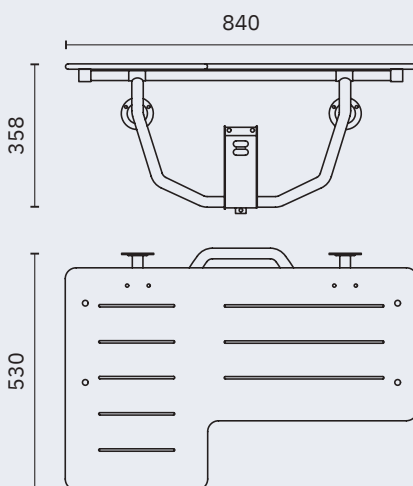
15041.B

15041.W

15041.N

Wall mounted shower seat

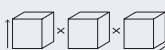
Dimensions
100 x 501 x 420 mm
3 7/8" x 1'-7 3/4" x 1'-4 1/2"



15074.L

With phenolic board seat and wall support

Dimensions
358 x 840 x 530 mm
1'-2 1/8" x 2'-9 1/8" x 1'-8 7/8"



folding shower seats

Finish
White (.W)

NEW

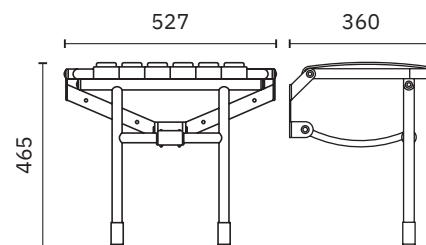


15035.XL.W

Folding shower seat with side handles and two height adjustable legs.

Material
Painted stainless steel

Dimensions
465 x 527 x 360 mm
1'-6 1/4" x 1'-8 3/4" x 1'-2 1/4"



NEW

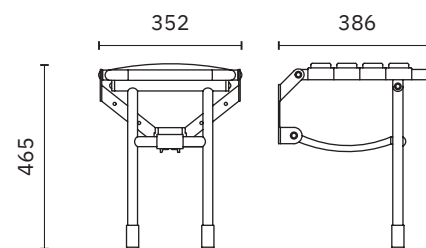


15035.2.W

Folding shower seat with two height adjustable legs.

Material
Painted stainless steel

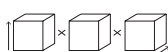
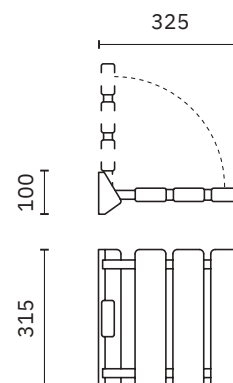
Dimensions
465 x 352 x 386 mm
1'-6 1/4" x 1'-1 7/8" x 1'-3 1/4"



15067.2.W

Material
Aluminium and ABS

Dimensions
100 x 325 x 315 mm
3 7/8" x 1'-0 3/4" x 1'-3 3/8"



adapted baths

Material
Polyester resin

Finish
Gelcoat white polished



H500

Height-adjustable bath with powered seat elevation and rotation. Operation through a waterproof pneumatic control panel.
Drain 1 1/4. Weight: 185 kg. Maximum seat load: 150 kg
Capacity 209 litres. Available left and right version.

Dimensions
1085 x 1600 x 700-800 mm
3'-6 3/4" x 5'-3" x 2'-3 1/2" - 2'-7 1/2"



H501

Full length bath with walk-in facility and seat lift.
Drain 1 1/4. Maximum seat load: 165 kg.
Capacity: 190 litres. Available left and right version.

Dimensions
565 x 1500 x 700 mm / 565 x 1700 x 700 mm
1'-10 1/4" x 4'-11" x 2'-3 1/2" / 1'-10 1/4" x 5'-6 7/8" x 2'-3 1/2"



H502

Bath with frontal walk-in facility.
Drain 1"-1/4. Weight: 41 kg

Dimensions
930 x 660 x 980 mm
3'-0 5/8" x 2'-2" x 3'-2 5/8"



H503

Bath with side walk-in facility.
Available left and right version

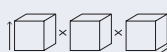
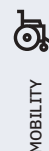
Dimensions
900 x 1245 x 660 mm
2'-11 1/2" x 4'-1" x 2'-2"



H504

Bath with side walk-in facility.
Available left and right version

Dimensions
930 x 950 x 660 mm
3'-0 5/8" x 3'-1 3/8" x 2'-2"



bath and shower seats

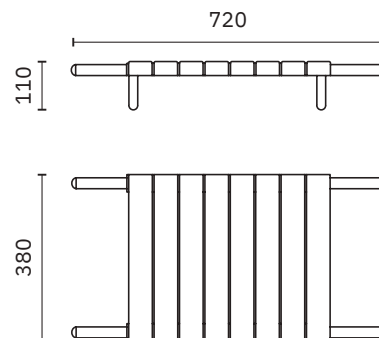
Finish
Satin (.S) Polished (.B) White (.W)

NEW



15040.NBA

Bath seat
Adjustable length
Material
White polypropylene
Dimensions
110 x 720 x 380 mm
4 3/8" x 2'-4 3/8" x 1'-3"

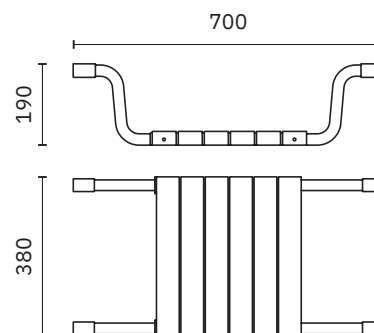


NEW



15043.2.NBA

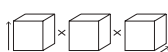
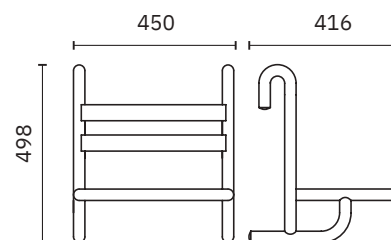
Seat for bath
Material
AISI 304 stainless steel
Dimensions
190 x 700 x 380 mm
7 1/2" x 2'-3 1/2" x 1'-3"



15042.MOV.S 15042.MOV.B

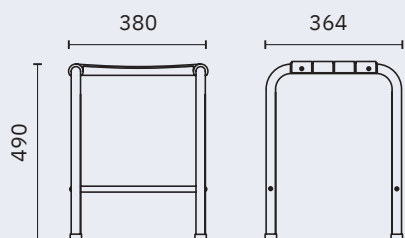
15042.MOV.W

Removable shower seat
(non-folding)
Material
AISI 304 stainless steel
Dimensions
498 x 450 x 416 mm
1'-7 5/8" x 1'-5 3/4" x 1'-4 3/8"



shower seats

Finish
White (.W)



15044.2.NBA

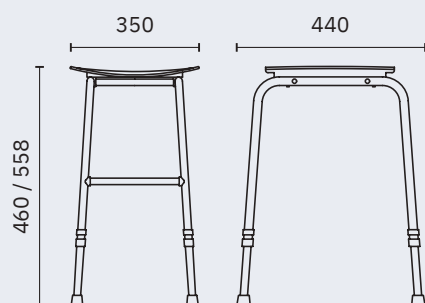
Shower seat

Material
AISI 304 stainless steel

Dimensions
490 x 380 x 364 mm
1'- 7 1/4" x 1'- 3" x 1'- 2 3/8"



NEW

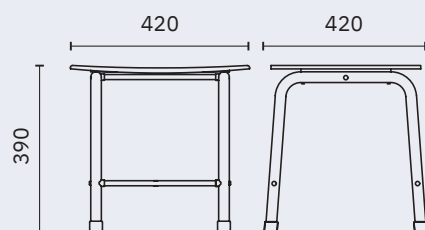


15037.W

Shower seat
With aluminium adjustable feet

Material
White polypropylene

Dimensions
460 - 558 x 350 x 440 mm
1'-6 1/8" - 1'-10" x 1'-1 3/4" x 1'-5 3/8"

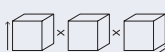


15038.W

Shower seat
Stainless steel AISI 304 feet

Material
White polypropylene

Dimensions
390 x 420 x 420 mm
1'-3 3/8" x 1'-4 1/2" x 1'-4 1/2"



ergonomic toilets to floor



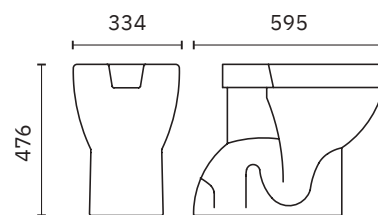
21S

Floor mounted toilet with vertical outlet.
Front opening.

Cover 2040AR not included

Material
White ceramic

Dimensions
476 x 334 x 595 mm
1'-6 3/4" x 1'-1 1/8" x 1'-11 3/8"



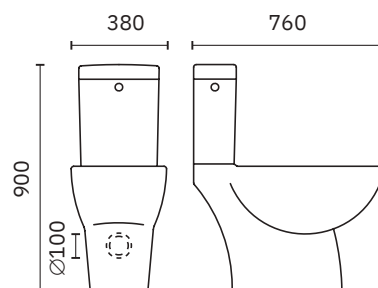
21M

Floor mounted with vertical /
horizontal outlet. Front opening.

Cover 13144.I not included

Material
White ceramic

Dimensions
900 x 380 x 760 mm
2'-11 1/2" x 1'-3" x 2'-5 7/8"



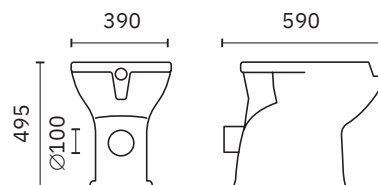
31P

Floor mounted with horizontal outlet.
Front opening.

Cover 13144.I not included

Material
White ceramic

Dimensions
495 x 390 x 590 mm
1'-7 1/2" x 1'-3 3/8" x 1'-11 1/4"



TOILET SEATS



2040AR

Toilet seat with hygienic opening and cover.
Universal adaptation

Material
Durolux

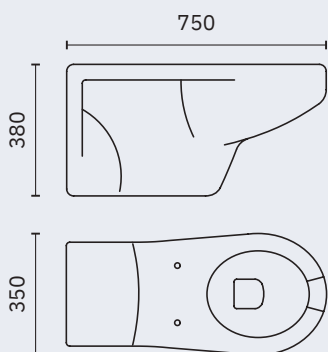


13144.I

Toilet seat with hygienic opening and cover.
Universal adaptation

Material
White polyester

wall-hung ergonomic toilets



13153.W

Wall-hung toilet

Cover 13144.I not included

Frame 304H.2 not included

Material

White ceramic

Dimensions

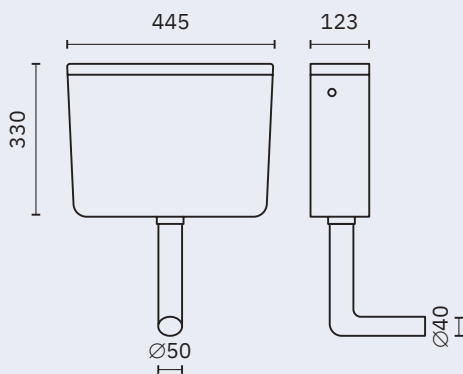
380 x 350 x 750 mm

1'-3" x 1'-1 3/4" x 2'-5 1/2"



NEW

TOILET ACCESSORIES



C1

Manually-operated cistern.

Includes toilet connection tube

Material

ABS

Dimensions

330 x 445 x 123 mm

1'-1" x 1'-5 1/2" x 4 7/8"



304H.2

Metal frame for wall hung WC support



13182.B

Embedded pneumatic manual control with push-button for cistern C1



13184.B

Manual pneumatic surface control with push-button for cistern C1

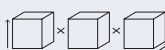


15075.N

Padded backrest. Support to wall with AISI 304 stainless steel tube

Material

Black polyurethane



ergonomic washbasin



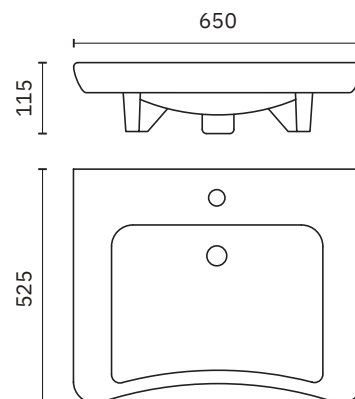
H5

Deep washbasin. Concave elbow supports and front

Accessories not included

Material
White ceramic

Dimensions
155 x 650 x 525 mm
6 1/8" x 2'-1 5/8" x 1'-8 3/4"



ACCESSORIES FOR WASHBASINS



303A

Fixed bracket for washbasin H5



303B

Manual recliner stand for washbasin H5



303C

Pneumatic recliner stand for washbasin H5



NEW

303D

Fixed bracket adaptor for pneumatic recliner stand for washbasin 13024.2.S



302P

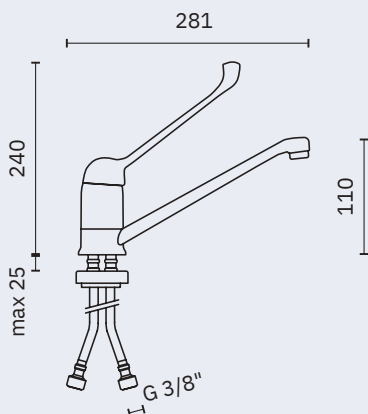
Set built-in siphon, hose and valve for washbasins H5 and 13024.2.S



302A

Set siphon on surface, flexible hose and valve for washbasin H5 and 13024.2.S

gerontologic faucets

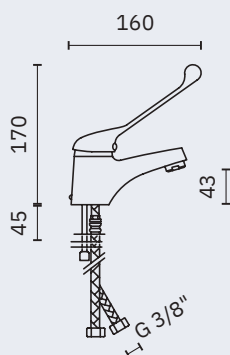


07200.B

One handle mixer faucet with clinical lever. Countertop installation. Suitable for washbasin H5

Material
Chrome-plated brass

Dimensions
240 x 50 x 281 mm
9 1/2" x 2" x 11"



07210.B

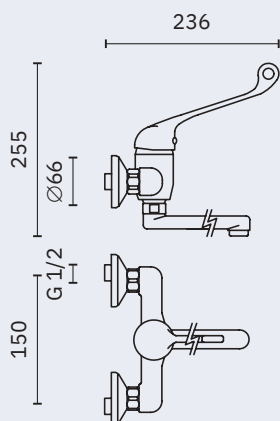
One handle mixer faucet with clinical lever. Installation on countertop

Material
Chrome-plated brass

Dimensions
170 x 50 x 160 mm
6 3/4" x 2" x 6 1/4"



NEW



07201.B

One handle mixer faucet with clinical lever. Wall installation.

Material
Chrome-plated brass

Dimensions
255 x 216 x 236 mm
10" x 8 1/2" x 9 1/4"



SHOWER FOR BIDET



186D

Wall thermostatic mixer for personal hygiene. Operated by lever



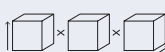
187D

Bidet hand shower with automatic return lever and continuous flow position in chromed ABS, holder in ABS and 120cm reinforced flexible PVC hose



188D

Bidet hand shower with automatic return lever and continuous flow position in black ABS, holder in ABS and 120cm reinforced flexible PVC hose



toilet kits



13142.KIT

Toilet kit consists of:

- 21S Toilet with outlet to ground
- C1 ABS cistern
- 2040AR Seat with cover

H42

Toilet kit consists of:

- 21S Toilet with outlet to ground
- C1 ABS cistern
- 2040AR Seat with cover
- 186D Thermostatic mixer lever for personal hygiene



13143.KIT

Toilet kit consists of:

- 31P Toilet with outlet to wall
- C1 ABS cistern
- 13144.I Seat with cover

H42A

Toilet kit consists of:

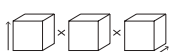
- 31P Toilet with outlet to wall
- C1 ABS cistern
- 13144.I Seat with cover
- 186D Thermostatic mixer lever for personal hygiene



13153.KIT

Wall-hung toilet kit consists of:

- 13153.W Wall-hung toilet
- 13144.I Seat with cover



washbasin kits / help kit

Washbasin kit consists of:

- 07200.B One handle mixer faucet
- H5 Ceramic washbasin
- 303A Fixed bracket
- 302A Siphon set

H14



Washbasin kit consists of:

- 07200.B One handle mixer faucet
- H5 Ceramic wash basin
- 303B Manual recliner stand
- 302A Siphon set

H11



Washbasin kit consists of:

- 07200.B One handle mixer faucet
- H5 Ceramic wash basin
- 303C Pneumatic recliner stand
- 302A Siphon set

H12



Washbasin kit consists of:

- 13024.2.S Stainless steel washbasin
- 303C Pneumatic recliner stand
- 303D Fixed bracket adaptor
- 302A Siphon set

H15



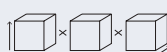
NEW

HELP KIT



HK

- ✓ H5: Ergonomic wash basin
- ✓ 303A: Fixed support for wash basin H5
- ✓ 21S: Floor settled toilet pan
- ✓ 2040AR: Toilet seat for 21S
- ✓ 07200.B: Mixer with lever
- ✓ 15054.45.F: Straight bar 45 cm
- ✓ 15054.60.F: Straight bar 60 cm
- ✓ 15051.60.F: 60cm swing-up grab bar
- ✓ 08026.W: Mirror
- ✓ C1: Cistern



elevated seats

Material
Polypropylene

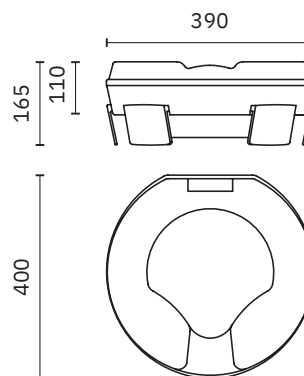


15032.W

Ergonomic seat without cover.

Dimensions
165 x 390 x 400 mm
6 1/2" x 1'-3 3/8" x 1'-3 3/4"

Elevator supplement 110 mm

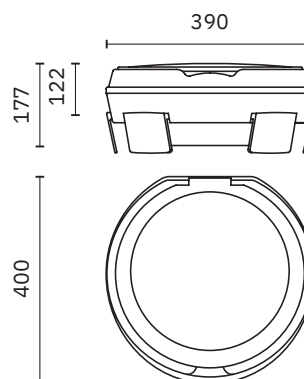


15033.W

Ergonomic seat with cover.

Dimensions
177 x 390 x 400 mm
7" x 1'-3 3/8" x 1'-3 3/4"

Elevator supplement 110 mm

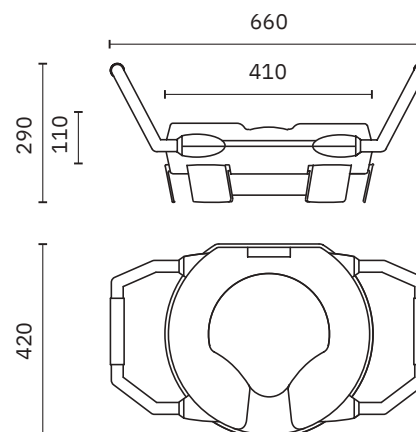


15034.W

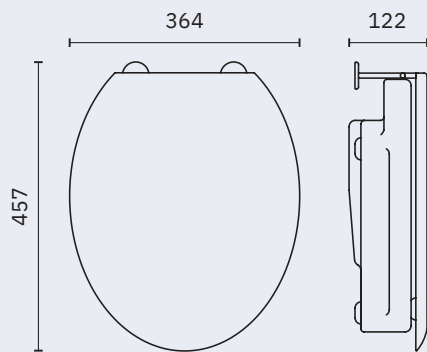
Ergonomic seat without cover and with handles.

Dimensions
290 x 660 x 420 mm
11 3/8" x 2'-2" x 1'-4 1/2"

Elevator supplement 110 mm



elevated seats



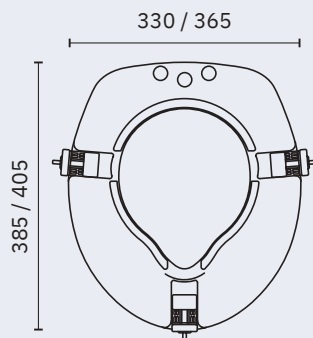
K10

Toilet seat with hygienic front opening, height adjuster of 100 mm and cover.

Universal adjustment

Material
Durolux

Dimensions
122 x 364 x 457 mm
4 3/4" x 1'-2 3/8" x 1'-6"



15039.W

Ergonomic seat with cover.

Material
Duraplast seat
Polyester cover

Dimensions
330 - 365 x 385 - 405 mm
1' - 1'-2 3/8" x 1'-3 1/8" - 1'-4"

Elevator supplement 100 mm



reclining mirrors

Material
Stainless steel AISI 304 frame

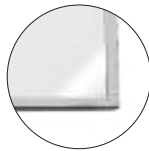
Other sizes available on request

Finish
Satin (.S) Polished (.B) White (.W)

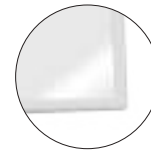
SATIN (.S)



POLISHED (.B)



WHITE (.W)

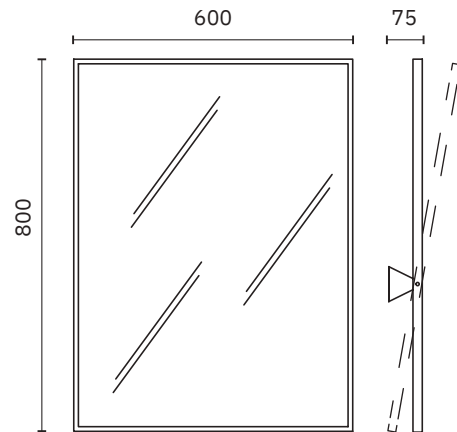


08024.S

08024.B

08024.W

Dimensions
800 x 600 x 75 mm
2'-7 1/2" x 1'-11 5/8" x 3"

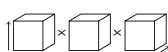
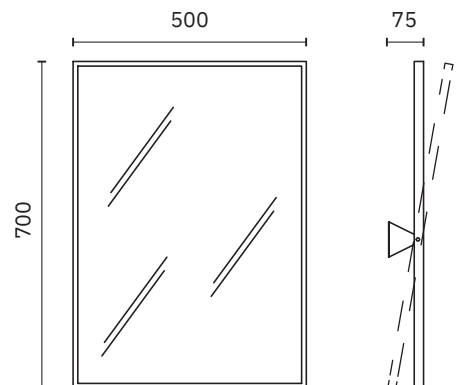


08023.S

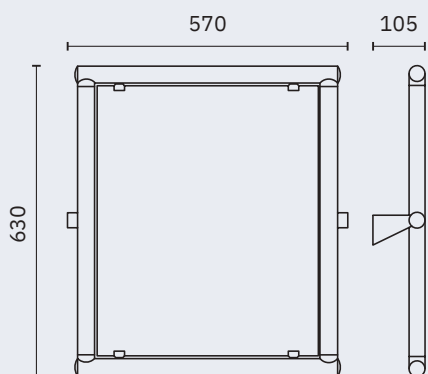
08023.B

08023.W

Dimensions
700 x 500 x 75 mm
2'-3 1/2" x 1'-7 5/8" x 3"



reclining mirrors



08025.W

Material
Nylon coated aluminium

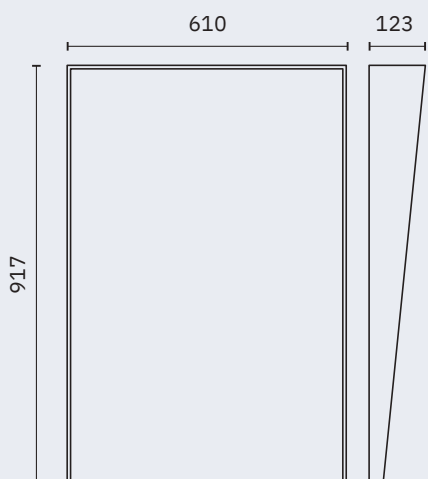
Dimensions
630 x 570 x 105 mm
2'-0 3/4" x 1'-10 1/2" x 4 1/8"



08026.W

Material
White ABS frame, stainless steel wall support

Dimensions
390 x 540 x 75 mm
1'-3 3/8" x 1'-9 1/4" x 3"



08053.S

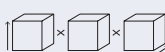
Mirror reclining not adjustable

Material
Stainless steel AISI 304 frame

Dimensions
917 x 610 x 123 mm
3'-0 1/8" x 2' x 4 7/8"



MOBILITY











emergency showers & eyewashers



Material
Galvanized steel

Finishing
Painted with epoxy in green colour

Connections
Brass



Emergency wall eyewasher

Operation
Manual side lever

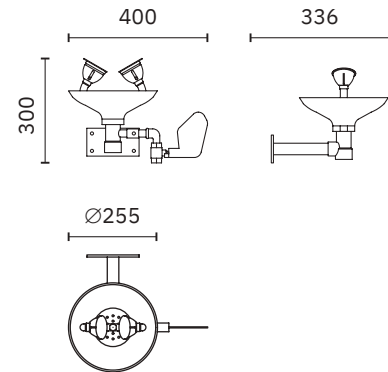
Dimensions
300 x 400 x 336 mm
11 3/4" x 1'-3 3/4" x 1'-1 1/4"

SC300.

Material
Polypropylene collector

SC300SS

Material
Stainless steel collector



Emergency eyewasher with pedestal

Operation
Manual side lever

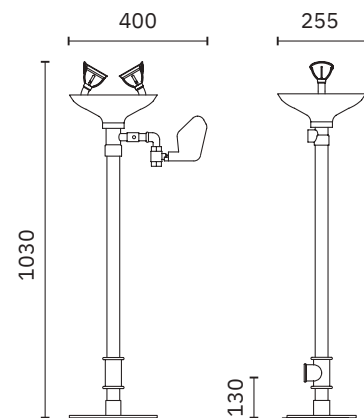
Dimensions
1030 x 400 x 255 mm
3'-4 1/2" x 1'-3 3/4" x 10"

SC320.

Material
Polypropylene collector

SC320SS

Material
Stainless steel collector



Emergency eyewasher with pedestal

Operation
Manual side lever and pedal

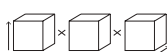
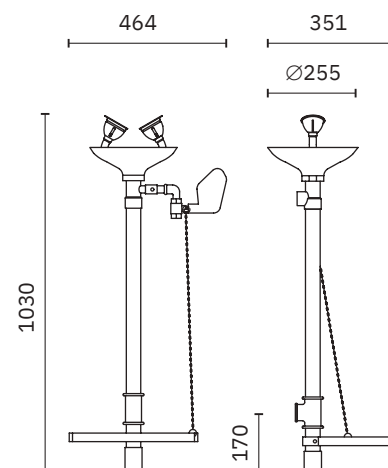
Dimensions
1030 x 464 x 351 mm.
3'-4" 1/2" x 1'-6 1/4" x 1'-1 3/4"

SC380.

Material
Polypropylene collector

SC380SS

Material
Stainless steel collector

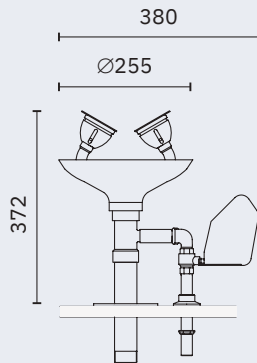


emergency showers & eyewashers

Material
Galvanized steel

Finishing
Painted with epoxy in green colour

Connections
Brass



Eyewasher with aerated jets,
manual shutoff valve.
Countertop installation

Operation
Manual side lever

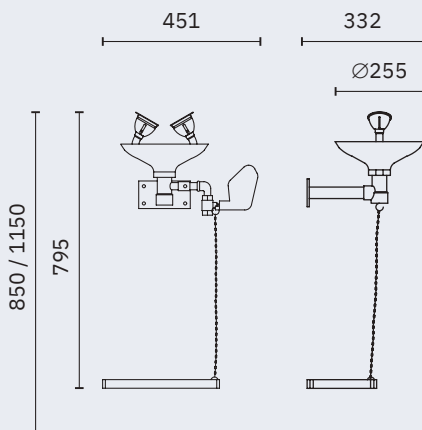
Dimensions
372 x 380 x 255 mm. 1'-2 5/8" x 1'-3" x 10"

SC410.

Material
Polypropylene collector

SC410SS

Material
Stainless steel collector



Eyewasher with aerated jets,
manual shutoff valve.
Wall installation

Operation
Manual side lever and pedal

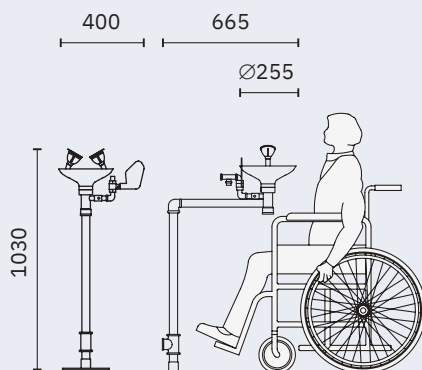
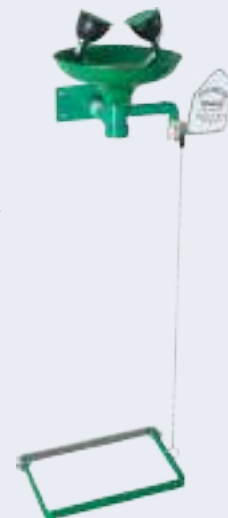
Dimensions
795 x 451 x 332 mm. 2'-7 1/4" x 1'-5 3/4" x 1'-1"

SC310.

Material
Polypropylene collector

SC310SS

Material
Stainless steel collector



Adapted floor-mounted eyewasher

Operation
Manual side lever

Dimensions
1030 x 400 x 665 mm
3'-4" 1/2" x 1'-3 3/4" x 2'-2 1/4"

SC330.

Material
Polypropylene collector

SC330SS

Material
Stainless steel collector



EMERGENCY

emergency showers & eyewashers



Material
Galvanized steel

Finishing
Painted with epoxy in green colour

Connections
Brass



Emergency shower, ceiling installation

Operation
Rigid pull lever with triangular grip

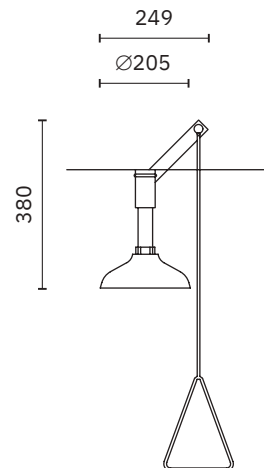
Dimensions
380 x 249 x 205 mm. 1'-3" x 9 3/4" x 8 1/8"

SC820.

Material
Polypropylene sprayer

SC820SS

Material
Stainless steel sprayer



Emergency shower, wall installation

Operation
Rigid pull lever with triangular grip

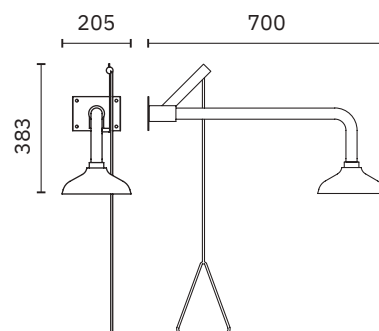
Dimensions
383 x 205 x 700 mm.
1'-3 1/8" x 8 1/8" x 2'-3 1/2"

SC830.

Material
Polypropylene sprayer

SC830SS

Material
Stainless steel sprayer



Emergency shower

Operation
Rigid pull lever with triangular grip

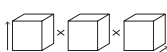
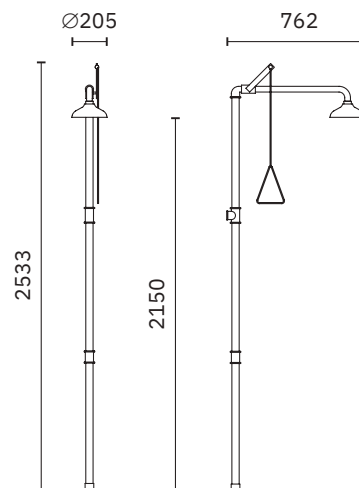
Dimensions
2533 x 205 x 762 mm. 8'-3 3/4" x 8 1/8" x 2'-6"

SC800.

Material
Polypropylene sprayer

SC800SS

Material
Stainless steel sprayer

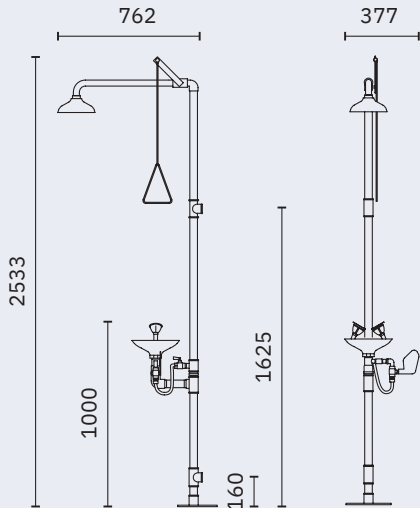


emergency showers & eyewashers

Material
Galvanized steel

Finishing
Painted with epoxy in green colour

Connections
Brass



Emergency eyewash and shower combination

Operation shower
Rigid pull lever with triangular grip

Operation eyewasher
Manual side lever

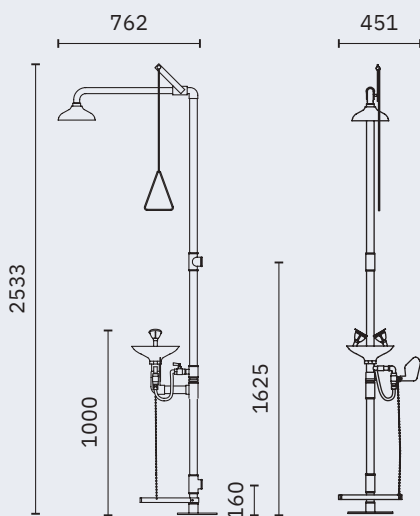
Dimensions
2533 x 377 x 762 mm. 8'-3 3/4" x 1'-2 7/8" x 2'-6"

SC700.

Material
Polypropylene shower sprayer and collector

SC700SS

Material
Stainless steel shower sprayer and collector



Emergency eyewash and shower combination

Operation shower
Rigid pull lever with triangular grip

Operation eyewasher
Manual side lever and pedal

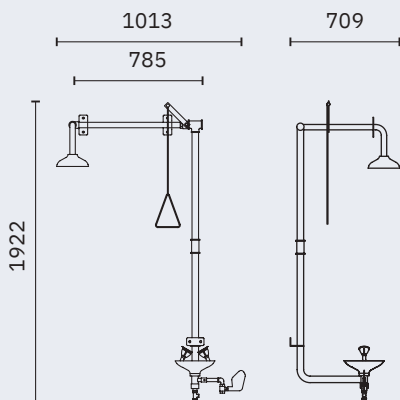
Dimensions
2533 x 451 x 762 mm. 8'-3 3/4" x 1'-5 3/4" x 2'-6"

SC710.

Material
Polypropylene shower sprayer and collector

SC710SS

Material
Stainless steel shower sprayer and collector



Set over-door shower and eyewasher

Operation
Manual side lever

Dimensions
1922 x 1013 x 709 mm
6'-3 5/8" x 3'-3 7/8" x 2'-3 7/8"

SC740.

Material
Polypropylene shower sprayer and collector

SC740SS

Material
Stainless steel shower sprayer and collector



emergency showers & eyewashers



Material
Galvanized steel

Finishing
Painted with epoxy in green colour

Connections
Brass



Platform with shower

Operation
Floor plate

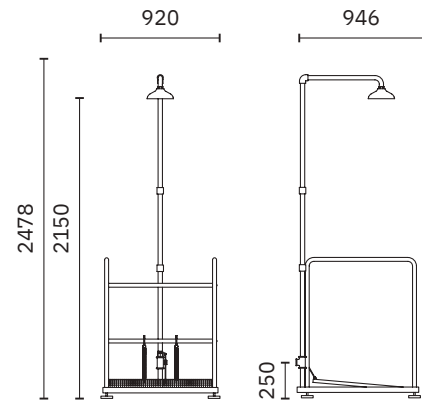
Dimensions
2478 x 920 x 946 mm. 8'-1 1/2 x 3'-0 1/4 x 3'-1 1/4

SCP800.

Material
Polypropylene sprayer

SCP800SS

Material
Stainless steel sprayer



Platform with eyewasher

Operation
Manual side lever

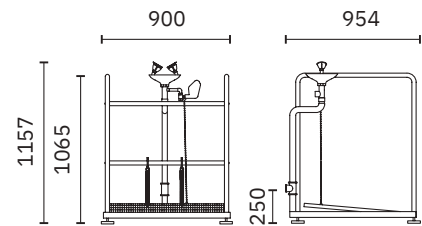
Dimensions
1157 x 900 x 954 mm. 3'-9 1/2" x 2'-11 1/2" x 3'-1 1/2"

SCP380.

Material
Polypropylene collector

SCP380SS

Material
Stainless steel collector



Platform with shower and eyewasher self-draining antifreeze valve with independent shower with pull lever activation

Operation shower
Rigid pull lever with triangular handle

Operation eyewasher
When stepping on the platform the eyewasher is activated

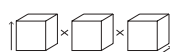
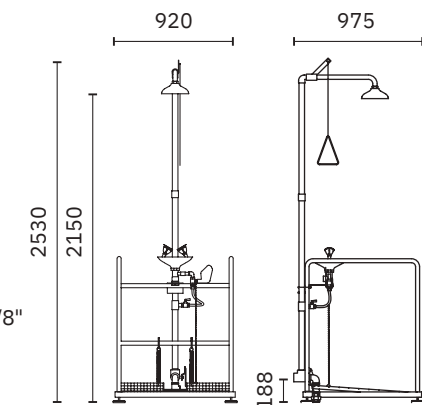
Dimensions
2530 x 920 x 975 mm. 8'-3 5/8" x 3'-0 1/4 x 3'-2 3/8"

SCP730.

Material
Polypropylene sprayer and collector

SCP730SS

Material
Stainless steel sprayer and collector



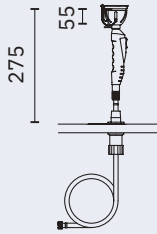
emergency showers & eyewashers



Material
Galvanized steel

Finishing
Painted with epoxy in green colour

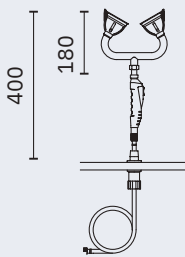
Connections
Brass



SC421.

Extendable desktop eyewasher

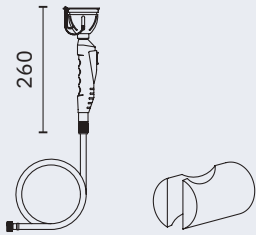
Dimensions
275 x 63 x 63 mm
10 7/8" x 2 1/2" x 2 1/2"



SC422.

Extendable double desktop eyewasher

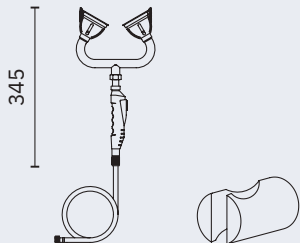
Dimensions
400 x 173 x 63 mm
15 3/4" x 6 3/4" x 2 1/2"



SC431.

Eyewasher with wall support

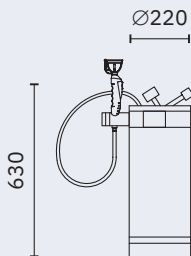
Dimensions
220 x 63 x 63 mm
8 5/8" x 2 1/2" x 2 1/2"



SC432.

Double eyewasher with wall support

Dimensions
345 x 173 x 63 mm
13 5/8" x 6 3/4" x 2 1/2"

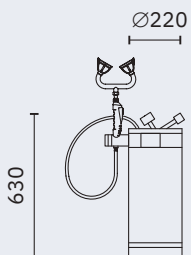


SC391.

Pressurized portable eyewasher unit

Dimensions
630 x 220 x 220 mm
2'-0 3/4" x 8 5/8" x 8 5/8"

Capacity
18 litres



SC392.

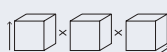
Double pressurized portable eyewasher unit

Dimensions
630 x 220 x 220 mm
2'-0 3/4" x 8 5/8" x 8 5/8"

Capacity
18 litres



EMERGENCY







water fountains

High capacity



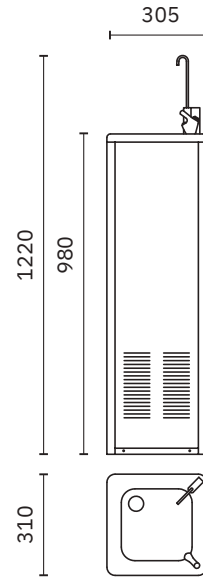
10002.S

Cold water fountain 50 l/h
With bottle filler and water jet
2 litre tank.

Casing
AISI 304 stainless steel

Finish
Satin

Dimensions
1220 x 310 x 305 mm
4' x 1'-0 1/4" x 1'



NEW



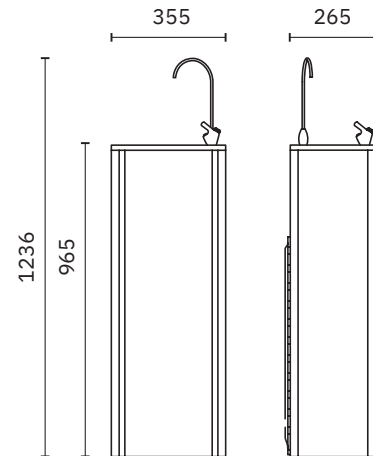
10006.B

Cold water fountain 25 l/h
With bottle filler and water jet
4 litre tank.

Casing
AISI 304 stainless steel

Finish
Polished

Dimensions
1236 x 355 x 265 mm
4'-0 5/8 x 1'-2" x 10 1/2"



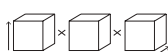
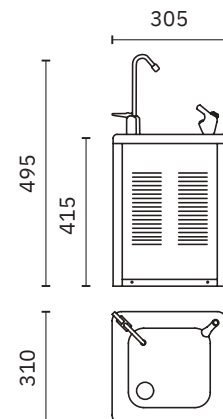
10080.S

Wall cold water fountain 30 l/h
With bottle filler and push button
water jet. 2 litre tank.

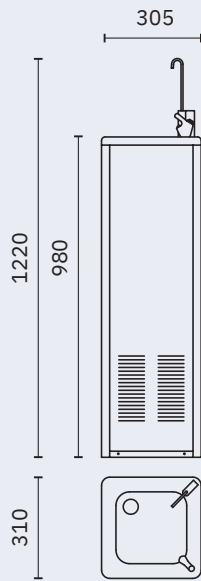
Casing
AISI 304 stainless steel

Finish
Satin

Dimensions
495 x 310 x 305 mm
2'-0 7/8" x 1'-0 1/4" x 1'



water fountains



10012.S

Cold water fountain 50 l/h
activated by laser sensor

With bottle filler and push button
water jet. 2 litre tank.

Casing
AISI 304 stainless steel

Finish
Satin

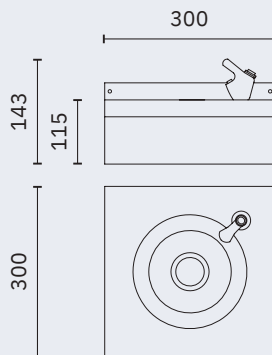
Dimensions
1220 x 310 x 305 mm
4' x 1'-0 1/4" x 1'



NEW

LASER
sensor

High
capacity



10023.B

Water fountain with faucet

Material
AISI 304 stainless steel

Dimensions
143 x 300 x 300 mm
5 5/8" x 11 3/4" x 11 3/4"



water fountains

ACCESSORIES



10010.K

Plastic cup dispenser

Capacity
70 cups



10071.B

Cup/bottle filler



10008.B

Push-button faucet



06046.K

Anti-chlorine filter



06047.K

Anti-chlorine cartridge



13113.B.2

Stainless steel stopper/plug
Ø 40 mm. 1 5/8"



06048.K

Filter cotton PP for 10006.B water fountain

NEW



06049.K

UDF carbon filter for water fountain 10006.B

NEW

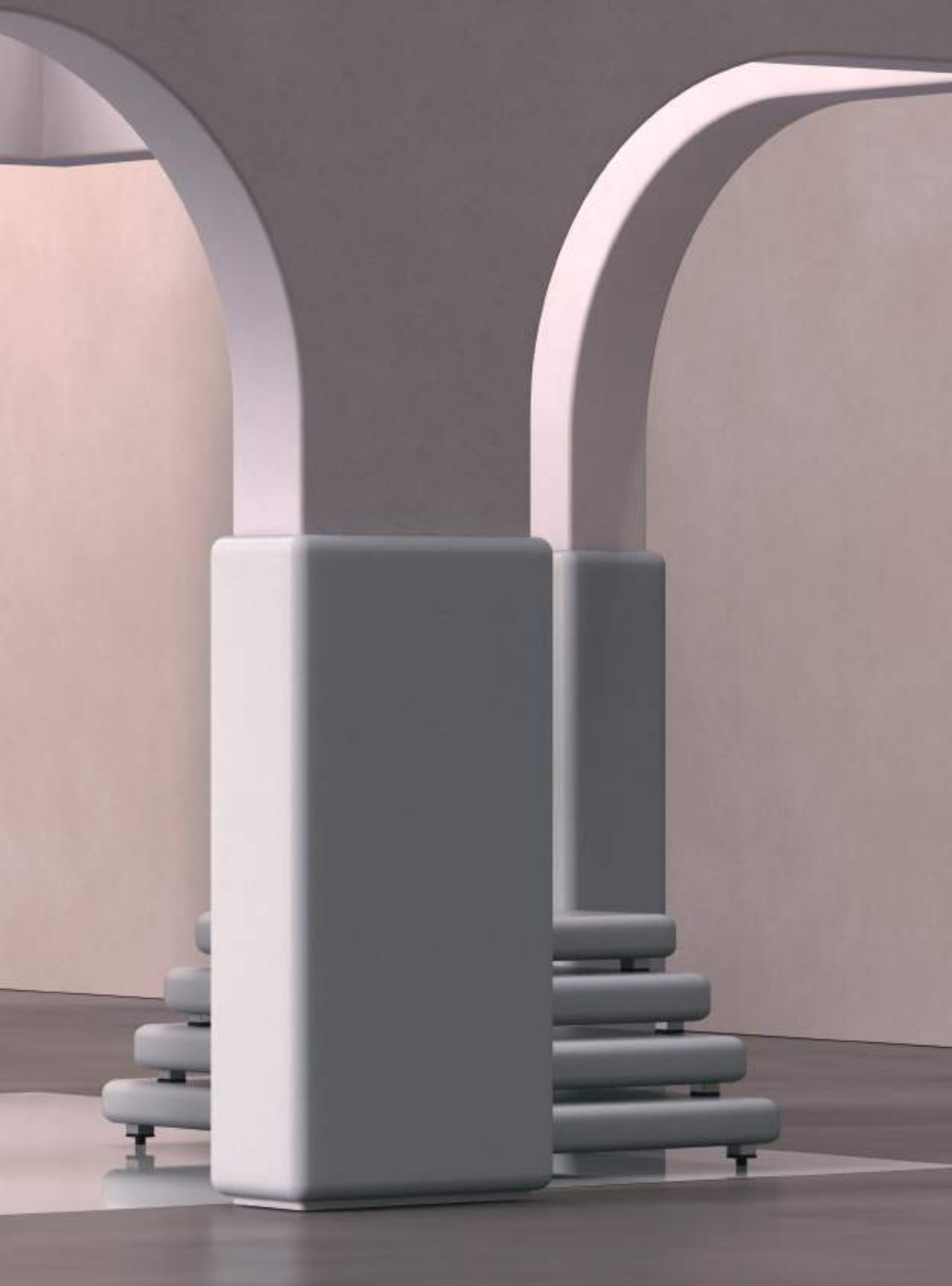
	10006.B	10002.S	10012.S	10080.S
CHARACTERISTICS				
Cold water flow at 10°C / water inlet T. / Room T.	25 l/h	50 l/h	50 l/h	30 l/h
Voltage	230 V~	230 V~	230 V~	230 V~
Frequency	50/60 Hz	50/60 Hz	50/60 Hz	50/60 Hz
Total power	120 W	190 W	190 W	170 W
Compressor power	1/6 Hp	1/6 Hp	1/6 Hp	1/6 Hp
Refrigerant type	R134A	R134A	R134A	R134A
Type of condenser	static	forced ventilation	forced ventilation	forced ventilation
Deposit / compressor	YES - 4 litres	YES - 2 litres	YES - 2 litres	YES - 2 litres
Tap for glass refill	YES	YES	YES	YES
Taps	YES	YES	YES	YES
Water inlet diameter	1/2"G	instant fitting or M G3/8"	instant fitting or M G3/8"	instant fitting or M G3/8"
Water outlet	Ø 18 mm	Ø 22 mm	Ø 22 mm	Ø 22 mm
Water outlet temperature regulation	YES	YES	YES	YES
Jet height adjustment	YES	YES	YES	YES



Water
^
v

WATER
FOUNTAINS



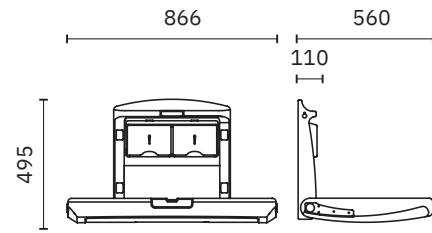


baby changing units



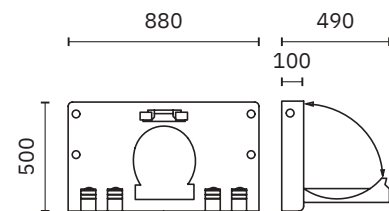
09213.W

Horizontal baby changing unit
 Permanent antibacterial protection
 Material
 High density polyethylene
 Dimensions
 495 x 866 x 560 mm
 1'-7 1/2" x 2'-10 1/8" x 1'-10" (open)
 560 x 866 x 110 mm
 1'-10" x 2'-10 1/8" x 4 3/8" (closed)



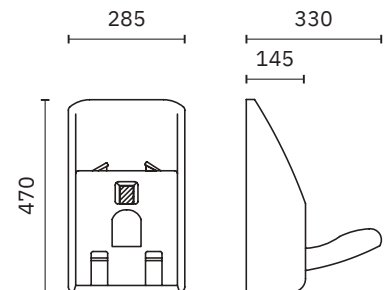
09209.W

Horizontal detached baby changing unit
 Permanent antibacterial protection
 Material
 High density polyethylene
 Dimensions
 500 x 880 x 490 mm
 1'-7 3/4" x 2'-10 5/8" x 1'-7 1/4" (open)
 500 x 880 x 100 mm
 1'-7 3/4" x 2'-10 5/8" x 3 7/8" (closed)



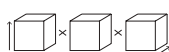
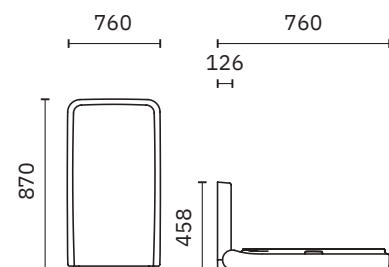
09211.W

Wall chair for babies
 Permanent antibacterial protection
 Material
 High density polyethylene
 Dimensions
 470 x 285 x 330 mm
 1'-6 1/2" x 11 1/4" x 1'-1" (open)
 470 x 285 x 145 mm
 1'-6 1/2" x 11 1/4" x 5 3/4" (closed)

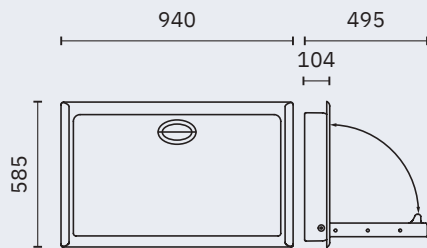


09215.W

Vertical baby changing unit
 Permanent antibacterial protection
 Material
 High density polyethylene
 Dimensions
 458 x 480 x 885 mm
 1'-6" x 1'-6 7/8" x 2'-10 7/8" (open)
 870 x 480 x 126 mm
 2'-10 1/4" x 1'-6 7/8" x 5" (closed)



baby changing units

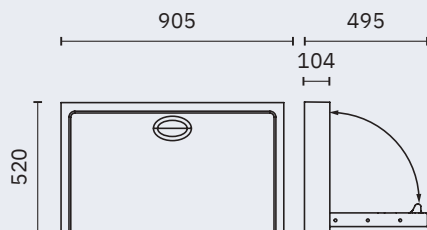


09200.2.S

Embedded baby changing unit
Permanent antibacterial protection

Material
AISI 304 stainless steel and high density polyethylene

Dimensions
585 x 940 x 495 mm
1'-11" x 3'-1" x 1'-7 1/2" (open)
585 x 940 x 104 mm
1'-11" x 3'-1" x 4 1/8" (closed)

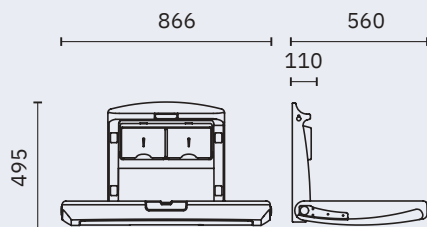


09203.2.S

Surface baby changing unit
Permanent antibacterial protection

Material
AISI 304 stainless steel and high density polyethylene

Dimensions
520 x 905 x 495 mm
1'-8 1/2" x 2'-11 5/8" x 1'-7 1/2" (open)
520 x 905 x 104 mm
1'-8 1/2" x 2'-11 5/8" x 4 1/8" (closed)

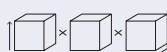


09214.S

Horizontal baby changing unit
Permanent antibacterial protection

Material
High density polyethylene with stainless steel front blade

Dimensions
495 x 866 x 560 mm
1'-7 1/2" x 2'-10 1/8" x 1'-10" (open)
560 x 866 x 110 mm
1'-10" x 2'-10 1/8" x 4 3/8" (closed)











air fresheners



17054.40.A

Insect-killer, 2 tubes 8 W.
Coverage 40 m²

Casing
Aluminium with ABS side covers

Dimensions
262 x 365 x 130 mm
10 1/4" x 14 3/8" x 5 1/8"

Spare tube
06020.08



17054.80.A

Insect-killer, 2 tubes 15 W.
Coverage 80 m²

Casing
Aluminium with ABS side covers

Dimensions
262 x 514 x 130 mm
10 1/4" x 1'-8 1/4" x 5 1/8"

Spare tube
06020.15



17054.240.I

Insect-killer, 2 tubes 40 W.
Coverage 240 m²

Casing
Stainless steel

Dimensions
262 x 670 x 130 mm
10 1/4" x 2'-2 3/8" x 5 1/8"

Spare tube
06020.40



17060.25.W

Insect-killer, 1 tube de 18 W.
Coverage 25 m²

Dimensions
200 x 450 x 177 mm
7 7/8" x 1'-5 3/4" x 7"

Material
Painted aluminium

Finish
White

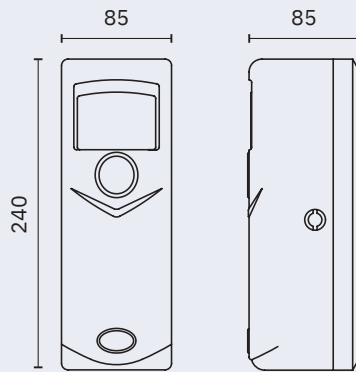
Spare tube
06020.18

Consumable
06019.3

air fresheners

Material
ABS

Finish
White (.W) Chrome-plated (.B)



17051.2.W

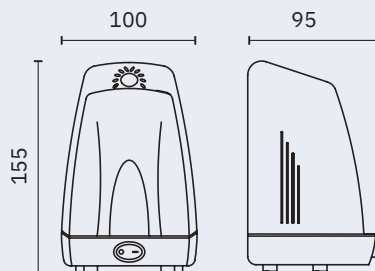
Wall mounted rechargeable air freshener.
Battery operation (2 x 1,5 V).
Timer (adjustable 5-20 min)

Dimensions
240 x 85 x 85 mm
9 1/2" x 3 3/8" x 3 3/8"



06016.2.K

Refill



17030.W

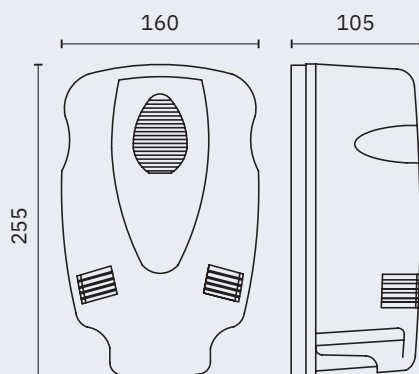
Wall mounted rechargeable air freshener.
Connected to the mains. Power 10 W.

Dimensions
155 x 100 x 95 mm
6 1/8" x 4" x 3 3/4"



06030.K

Refill



17100.W

17100.B

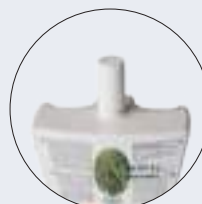
Wall mounted rechargeable air
freshener.

Dimensions
255 x 160 x 105 mm
10" x 6 1/4" x 4 1/8"



06050.K

Refill







advertising support & promotion



NOFER offers display stands with installed product, with the aim of enhancing the offer at the point of sale. Exhibitors are made of stainless steel, to communicate to the customer the main features of the product on display.

Exhibitor metallic stand

Metal with one side of exposure. Easy to assemble

Dimensions

2000 x 620 x 320 mm


6'-6 3/4" x 2'-0 3/8" x 1'-0 5/8"

Exhibitors may be fitted with products chosen by the client in collaboration with the commercial area.


certifications

Nofer employs the ISO 9000 standard as the basis for its quality management system. This means that there is a strong customer focus and working processes that ensure continuous control and self-improvement. In turn, this ensures that customers receive high quality products and service at the end of the process. NOFER works with the best national and European laboratories to constantly improve the technical, safety and ergonomic aspects of the products.







ISO




SGS



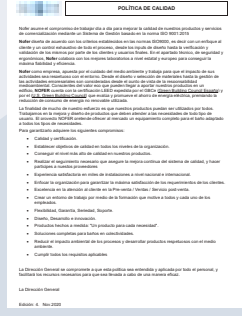
NOM



SASO




GOST




NOFER

Nofer as a company, is actively engaged in environmental care and works towards ensuring that its business activities have the minimal possible impact on the environment as possible. From the design and material selection to the business management, all the activities are managed and run with this in mind. NOFER is conscious about the eco value that the products can provide to a building and has the LEED certification, issued by the GBCe (Green Building Council España) and by the (U.S. Green Building Council). This certificate recognizes the benefits of equipment that has been designed to help the environment by using less energy.






Vandal-proof



Technical aids



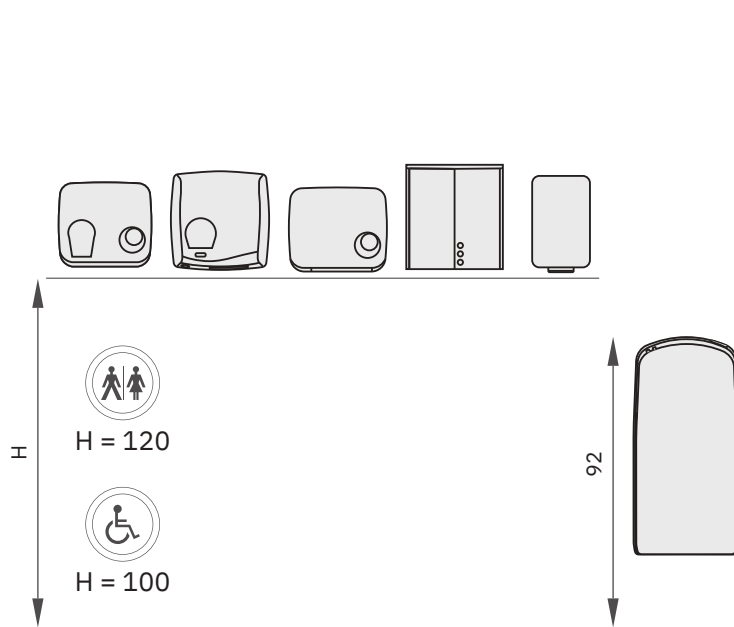
Hospital

CODE

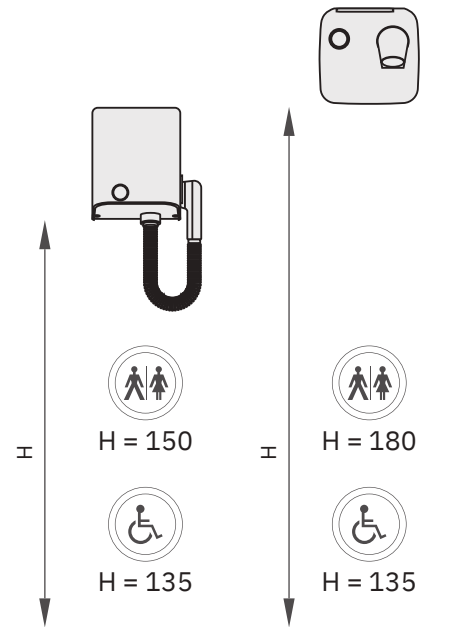
Consult availability

installation planning

HAND DRYERS

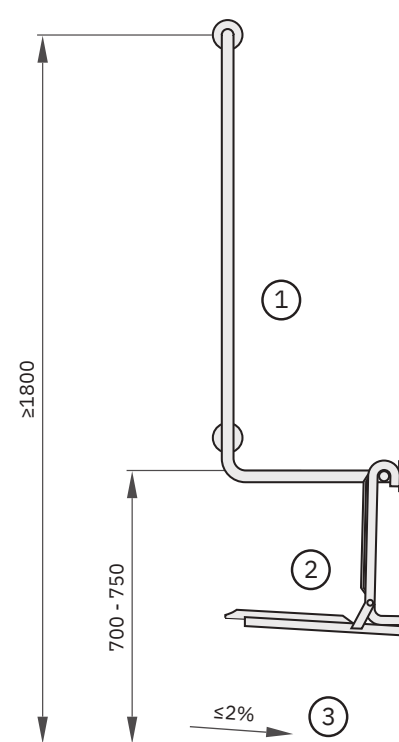


HAIR DRYERS



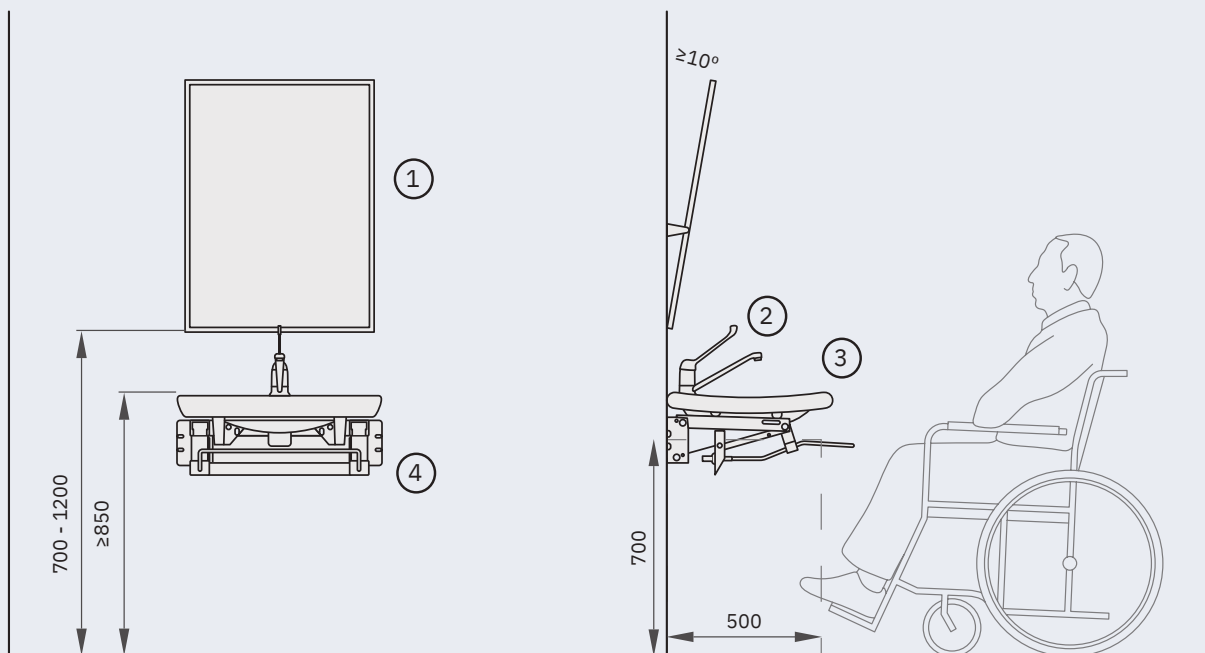
SHOWER AREA

- ① 15149.S
- ② 15042.MOV.NBA
- ③ 13052.80.S



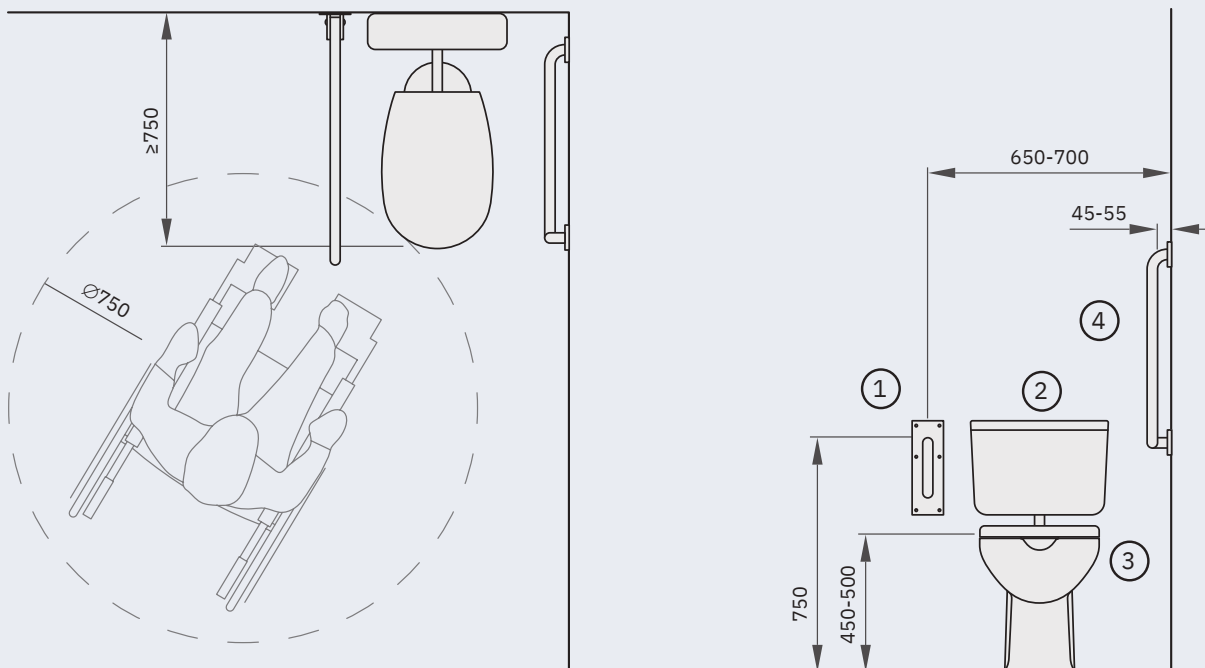
installation planning

WASH BASIN AREA



- ① 08024.S ② 07200.B ③ H5 ④ 303C

WC AREA



- ① 15051.80.S ② C1 ③ 21S ④ 15158.S

CODE	DESCRIPTION	PG.	CODE	DESCRIPTION	PG.
01100.B	CYCLON hand dryer push button, polished stainless steel casing	83	01305.ICR	V-JET Triblade hand dryer Cherry red colour, Ion Shield	77
01100.S	CYCLON hand dryer push button, satin stainless steel casing	83	01305.IDB	V-JET Triblade hand dryer Deep blue colour, Ion Shield	77
01100.W	CYCLON hand dryer push button, white stainless steel casing	83	01305.IN	V-JET Triblade hand dryer Black colour, Ion Shield	77
01101.B	CYCLON hand dryer automatic sensor, polished stainless steel casing	85	01305.IRF	V-JET Triblade hand dryer F1 red colour, Ion Shield	77
01101.S	CYCLON hand dryer automatic sensor, polished stainless steel casing	85	01305.IW	V-JET Triblade hand dryer White colour, Ion Shield	77
01101.W	CYCLON hand dryer automatic sensor, white stainless steel casing	85	01305.N	V-JET Triblade hand dryer Black colour, Ion Shield	77
01151.B	WINDFLOW hand dryer automatic sensor, polished stainless steel casing	81	01305.RF	V-JET Triblade hand dryer F1 red colour	77
01151.S	WINDFLOW hand dryer automatic sensor, satin stainless steel casing	81	01305.W	V-JET Triblade hand dryer White colour	77
01151.W	WINDFLOW hand dryer automatic sensor, white stainless steel casing	81	01306.AB	VELTIA Triblade hand dryer Atlantic blue colour	77
01250.B	KAI hand dryer push button, polished stainless steel casing	101	01306.AS	VELTIA Triblade hand dryer Silver grey colour	77
01250.S	KAI hand dryer push button, satin stainless steel casing	101	01306.BD	VELTIA Triblade hand dryer Bordeaux colour	77
01250.W	KAI hand dryer push button, white stainless steel casing	101	01306.CH	VELTIA Triblade hand dryer Champagne colour	77
01251.B	KAI hand dryer automatic sensor, polished stainless steel casing	103	01306.CR	VELTIA Triblade hand dryer Cherry red colour	77
01251.S	KAI hand dryer automatic sensor, satin stainless steel casing	103	01306.DB	VELTIA Triblade hand dryer Deep blue colour	77
01251.W	KAI hand dryer automatic sensor, white stainless steel casing	103	01306.IAB	VELTIA Triblade hand dryer Atlantic Blue colour, Ion Shield	77
01303.AB	V-JET hand dryer Atlantic blue colour	77	01306.IAS	V-JET Triblade hand dryer Silver grey colour, Ion Shield	77
01303.AS	V-JET hand dryer Silver grey colour	77	01306.IBD	VELTIA Triblade hand dryer Bordeaux colour, Ion Shield	77
01303.BD	V-JET hand dryer Bordeaux colour	77	01306.ICH	VELTIA Triblade hand dryer Champagne colour, Ion Shield	77
01303.CH	V-JET hand dryer Champagne colour	77	01306.ICR	V-JET hand dryer Cherry red colour, Ion Shield	77
01303.CR	V-JET hand dryer Cherry red colour	77	01306.IDB	V-JET hand dryer Deep blue colour, Ion Shield	77
01303.DB	V-JET hand dryer Deep blue colour	77	01306.IN	V-JET hand dryer Black colour, Ion Shield	77
01303.IAB	V-JET hand dryer Atlantic blue colour, Ion Shield	77	01306.IRF	V-JET Triblade hand dryer F1 red colour, Ion Shield	77
01303.IAS	V-JET hand dryer Silver grey colour, Ion Shield	77	01306.IW	V-JET Triblade hand dryer White colour, Ion Shield	77
01303.IBD	V-JET hand dryer Bordeaux colour, Ion Shield	77	01306.N	VELTIA Triblade hand dryer Black colour	77
01303.ICH	V-JET hand dryer Champagne colour, Ion Shield	77	01306.RF	VELTIA Triblade hand dryer F1 red colour	77
01303.ICR	V-JET hand dryer Cherry red colour, Ion Shield	77	01306.W	VELTIA Triblade hand dryer White colour	77
01303.IDB	V-JET hand dryer Deep blue colour, Ion Shield	77	01330.S	Inox V-JET hand dryer	71
01303.IN	V-JET hand dryer Black colour, Ion Shield	77	01450.B	BIGFLOW hand dryer, push button, polished stainless steel casing	97
01303.IRF	V-JET hand dryer F1 red colour, Ion Shield	77	01450.S	BIGFLOW hand dryer, push button, satin stainless steel casing	97
01303.IW	V-JET hand dryer White colour, Ion Shield	77	01450.W	BIGFLOW hand dryer, push button, white stainless steel casing	97
01303.N	V-JET hand dryer Black colour	77	01451.B	BIGFLOW hand dryer, automatic sensor, polished stainless steel casing	99
01303.RF	V-JET hand dryer F1 red colour	77	01451.S	BIGFLOW hand dryer, automatic sensor, satin stainless steel casing	99
01303.W	V-JET hand dryer White colour	77	01451.W	BIGFLOW hand dryer, automatic sensor, white stainless steel casing	99
01304.AB	V-JET hand dryer Atlantic blue colour	77	01460.W	BIGFLOW hand dryer, automatic sensor, white ABS casing	97
01304.AS	V-JET hand dryer Silver grey colour	77	01461.W	BIGFLOW hand dryer, automatic sensor, white ABS casing	99
01304.BD	VELTIA hand dryer Bordeaux colour	77	01481.B	BIGFLOW EVO hand dryer, polished stainless steel casing	93
01304.CH	VELTIA hand dryer Champagne colour	77	01481.N	BIGFLOW EVO hand dryer, black finish stainless steel casing	93
01304.CR	VELTIA hand dryer Cherry red colour	77	01481.S	BIGFLOW EVO hand dryer, satin finish stainless steel casing	93
01304.DB	VELTIA hand dryer Deep blue colour	77	01481.UV.B	BIGFLOW EVO UV-C hand dryer, polished finish	95
01304.IAB	VELTIA hand dryer Atlantic blue colour, Ion Shield	77	01481.UV.N	BIGFLOW EVO UV-C hand dryer, black finish	95
01304.IAS	VELTIA hand dryer Silver grey colour, Ion Shield	77	01481.UV.S	BIGFLOW EVO UV-C hand dryer, satin finish	95
01304.IBD	VELTIA hand dryer Bordeaux, Ion Shield	77	01481.UV.W	BIGFLOW EVO UV-C hand dryer, white finish	95
01304.ICH	VELTIA hand dryer Champagne, Ion Shield	77	01481.W	BIGFLOW EVO hand dryer, automatic sensor, white finish stainless steel casing	93
01304.ICR	VELTIA hand dryer Cherry red, Ion Shield	77	01491.UV.W	BIGFLOW EVO UV-C hand dryer, automatic sensor, white finish steel casing	95
01304.IDB	VELTIA hand dryer Deep blue, Ion Shield	77	01491.W	BIGFLOW EVO hand dryer, automatic sensor, white finish ABS casing	93
01304.IN	VELTIA hand dryer Black, Ion Shield	77	01600.B	THIN hand dryer, polished stainless steel casing	89
01304.IRF	VELTIA hand dryer F1 red, Ion Shield	77	01600.S	THIN hand dryer, satin stainless steel casing	89
01304.IW	VELTIA hand dryer White colour, Ion Shield	77	01600.W	THIN hand dryer, white stainless steel casing	89
01304.N	VELTIA hand dryer Black colour, Ion Shield	77	01610.B	THIN EVO hand dryer, polished stainless steel casing	87
01304.RF	VELTIA hand dryer F1 red colour	77	01610.S	THIN EVO hand dryer, satin stainless steel casing	87
01304.W	VELTIA hand dryer White colour	77	01831.B	FUGA EVO hand dryer, automatic sensor, polished stainless steel casing	59
01305.AB	V-JET Triblade hand dryer Atlantic blue colour	77	01831.N	FUGA EVO hand dryer, automatic sensor, black stainless steel casing	59
01305.AS	V-JET Triblade hand dryer Silver grey colour	77	01831.S	FUGA EVO hand dryer, automatic sensor, satin stainless steel casing	59
01305.BD	V-JET Triblade hand dryer Bordeaux colour	77	01831.UV.B	FUGA EVO UV-C hand dryer, automatic sensor, polished stainless steel casing	59
01305.CH	V-JET Triblade hand dryer Champagne colour	77	01831.UV.N	FUGA EVO UV-C hand dryer, automatic sensor, black stainless steel casing	59
01305.CR	V-JET Triblade hand dryer Cherry red colour	77	01831.UV.S	FUGA EVO UV-C hand dryer, automatic sensor, satin stainless steel casing	59
01305.DB	V-JET Triblade hand dryer Deep blue colour	77	01841.W	FUGA EVO UV-C hand dryer, automatic sensor, white ABS casing	59
01305.IAB	V-JET Triblade hand dryer Atlantic blue colour, Ion Shield	77			
01305.IAS	V-JET Triblade hand dryer Silver grey colour, Ion Shield	77			
01305.IBD	V-JET Triblade hand dryer Bordeaux colour, Ion Shield	77			
01305.ICH	V-JET Triblade hand dryer Champagne colour, Ion Shield	77			

CODE	DESCRIPTION	PG.	CODE	DESCRIPTION	PG.
01851.B	FUGA hand dryer, automatic sensor, polished stainless steel casing	61	01881.YL	FUSION UV-C FOOT DRYER, Yellow colour	68
01851.S	FUGA hand dryer, automatic sensor, satin stainless steel casing	61	01885.S	FUSION UV-C FOOT DRYER, Yellow colour	67
01851.W	FUGA hand dryer, automatic sensor, white stainless steel casing	61	01885.UV.S	FUSION UV-C FOOT DRYER, satin finish stainless steel	67
01861.W	FUGA hand dryer, automatic sensor, white ABS casing	61	01901.B	CONCEPT ³ hand dryer, soap dispenser, and tap set on countertop polished finish	23
01871.AB	FUSION hand dryer Atlantic blue colour	64	01901.GD	CONCEPT ³ hand dryer, soap dispenser, and tap set on countertop Gold finish	23
01871.AM	FUSION hand dryer Aluminium colour	64	01901.N	CONCEPT ³ Hand dryer, soap dispenser and tap set on countertop Black finish	23
01871.AS	FUSION hand dryer Silver grey colour	64	01901.S	CONCEPT ³ hand dryer, soap dispenser, and tap set on countertop Silver finish	23
01871.CH	FUSION hand dryer Champagne colour	64	01902.B	Long neck CONCEPT ³ hand dryer, soap dispenser, and tap set on countertop polished finish	23
01871.DB	FUSION hand dryer Deep blue colour	64	01902.GD	Long neck CONCEPT ³ hand dryer, soap dispenser, and tap set on countertop Gold finish	23
01871.N	FUSION hand dryer Black colour	64	01902.N	Long neck CONCEPT ³ Hand dryer, soap dispenser and tap set on countertop Black finish	23
01871.PK	FUSION hand dryer, Pink colour	64	01902.S	Long neck CONCEPT ³ hand dryer, soap dispenser, and tap set on countertop Silver finish	23
01871.PPK	FUSION hand dryer, Pumpkin colour	64	01910.B	AIRTAP hand dryer on countertop, chromed brass	57
01871.RB	FUSION hand dryer, Bourdeaux colour	64	02010.W	1600 W foldable hair dryer	118
01871.RC	FUSION hand dryer, Cherry red colour	64	02011.W	1800 - 2200 W hair dryer	118
01871.RF	FUSION hand dryer, F1 red colour	64	02012.W	1800 - 2200 W hair dryer	118
01871.SB	FUSION hand dryer, Pink colour	64	02013.B	1800 W hair dryer	119
01871.TQ	FUSION hand dryer, turquoise colour	64	02014.B	Hair dryer wall support holder	119
01871.UV.AB	FUSION UV-C hand dryer, Atlantic blue colour	65	02055.GR	1200 W Grey ABS wall mounted hair dryer	117
01871.UV.AM	FUSION UV-C hand dryer, Aluminium colour	65	02055.N	1200 W Black ABS wall mounted hair dryer	117
01871.UV.AS	FUSION UV-C hand dryer, Silver grey colour	65	02055.W	1200 W white ABS wall mounted hair dryer	117
01871.UV.CH	FUSION UV-C hand dryer, Champagne colour	65	02057.B	1600 W professional hair dryer	119
01871.UV.DB	FUSION UV-C hand dryer, Deep blue colour	65	02058.S	HOTEL LINE with wall support holder, satin finished stainless steel and Black ABS	119
01871.UV.N	FUSION UV-C hand dryer, Black colour	65	02200.B	ZONDA hair dryer, polished finish stainless steel casing	113
01871.UV.PK	FUSION UV-C hand dryer, Pink colour	65	02200.S	ZONDA hair dryer, satin finish stainless steel casing	113
01871.UV.PPK	FUSION UV-C hand dryer, Pumpkin colour	65	02200.W	ZONDA hair dryer, white finish stainless steel casing	113
01871.UV.RB	FUSION UV-C hand dryer, Bourdeaux colour	65	02300.S	MANGO hair dryer, satin finish AISI 304 stainless steel	115
01871.UV.RC	FUSION UV-C hand dryer, Cherry red colour	65	03001.06.B	600 ml vertical liquid soap dispenser, polished finish AISI 304 stainless steel	134
01871.UV.RF	FUSION UV-C hand dryer, F1 red colour	65	03001.06.S	600 ml vertical liquid soap dispenser, satin finish AISI 304 stainless steel	134
01871.UV.SB	FUSION UV-C hand dryer, Sky blue colour	65	03001.W	1200 ml vertical liquid soap dispenser, white finish AISI 304 stainless steel	132
01871.UV.TQ	FUSION UV-C hand dryer, Turquoise colour	65	03002.W	1200 ml horizontal liquid soap dispenser, white finish AISI 304 stainless steel	135
01871.UV.W	FUSION UV-C hand dryer, White colour	65	03003.B	345 ml polished finish stainless steel liquid soap dispenser	134
01871.UV.YL	FUSION UV-C hand dryer, Yellow colour	65	03004.B	1200 ml polished finish stainless steel liquid soap dispenser	136
01871.W	FUSION hand dryer, White colour	64	03004.S	1200 ml stainless steel liquid soap dispenser	136
01871.YL	FUSION hand dryer, Yellow colour	64	03005.B	Horizontal liquid soap dispenser, polished finish AISI 304 stainless steel	136
01875.S	FUSION hand dryer, satin stainless steel casing	63	03008.W	1500 ml polypropylene liquid soap dispenser	141
01875.UV.S	FUSION UV-C hand dryer, satin stainless steel casing	63	03009.W	3500 ml polypropylene liquid soap dispenser	141
01881.AB	FUSION FOOT DRYER, Atlantic blue colour	68	03010.N	BLACK series - liquid soap dispenser	285
01881.AM	FUSION FOOT DRYER, Aluminium colour	68	03011.N	BLACK series - liquid soap dispenser	285
01881.AS	FUSION FOOT DRYER, Silver grey colour	68	03012.N	BLACK series - liq+F19uid soap dispenser	285
01881.CH	FUSION FOOT DRYER, Champagne colour	68	03014.S	Soap dispenser with lever	137
01881.DB	FUSION FOOT DRYER, Deep blue colour	68	03015.ABS	Soap dispenser with long lever	137
01881.N	FUSION FOOT DRYER, Black colour	68	03016.ABS	Soap dispenser with extra long lever	137
01881.PK	FUSION FOOT DRYER, Pink colour	68	03016.AL	Soap dispenser with long lever	137
01881.PPK	FUSION FOOT DRYER, Pumpkin colour	68	03018.W	1000 ml ABS liquid soap dispenser	141
01881.RB	FUSION FOOT DRYER, Bourdeaux colour	68	03019.W	2000 ml ABS liquid soap dispenser	141
01881.RC	FUSION FOOT DRYER, Cherry red colour	68	03022.S	820 ml stainless steel liquid soap dispenser	134
01881.RF	FUSION FOOT DRYER, F1 red colour	68	03023.S	1200 ml stainless steel automatic liquid soap dispenser	126
01881.SB	FUSION FOOT DRYER, Sky blue colour	68	03024.B	300 ml stainless steel liquid soap dispenser	133
01881.TQ	FUSION FOOT DRYER, Turquoise colour	68	03024.S	300 ml stainless steel liquid soap dispenser	133
01881.UV.AB	FUSION UV-C FOOT DRYER, Atlantic blue colour	69	03025.S	300 ml stainless steel liquid soap dispenser	133
01881.UV.AM	FUSION UV-C FOOT DRYER, Aluminium colour	69	03032.T	Double soap dispenser 2 x 200 ml	140
01881.UV.AS	FUSION UV-C FOOT DRYER, Silver grey colour	69	03036.N	1000 ml CLASSIC series black ABS liquid soap dispenser	140
01881.UV.CH	FUSION UV-C FOOT DRYER, Champagne colour	69	03036.W	1000 ml CLASSIC series white ABS liquid soap dispenser	140
01881.UV.DB	FUSION UV-C FOOT DRYER, Deep blue colour	69	03038.N	1000 ml Black ABS automatic liquid soap dispenser	125
01881.UV.N	FUSION UV-C FOOT DRYER, Black colour	69	03038.W	1000 ml automatic soap dispenser	125
01881.UV.PK	FUSION UV-C FOOT DRYER, Pink colour	69	03039.B	1000 ml polished finish stainless steel automatic liquid soap dispenser	125
01881.UV.PPK	FUSION UV-C FOOT DRYER, Pumpkin colour	69			
01881.UV.RB	FUSION UV-C FOOT DRYER, Bourdeaux colour	69			
01881.UV.RC	FUSION UV-C FOOT DRYER, Cherry red colour	69			
01881.UV.RF	FUSION UV-C FOOT DRYER, F1 red colour	69			
01881.UV.SB	FUSION UV-C FOOT DRYER, Sky blue colour	69			
01881.UV.TQ	FUSION UV-C FOOT DRYER, Turquoise colour	69			
01881.UV.W	FUSION UV-C FOOT DRYER, White colour	69			
01881.UV.YL	FUSION UV-C FOOT DRYER, Yellow colour	69			
01881.W	FUSION UV-C FOOT DRYER, White colour	68			

CODE	DESCRIPTION	PG.	CODE	DESCRIPTION	PG.
03039.N	1000 ml Black finish stainless steel automatic liquid soap dispenser	125	04026.2.S	Satin finish AISI 304 stainless steel toilet paper hoops dispenser	298
03039.S	1000 ml satin finish stainless steel automatic liquid soap dispenser	125	04026.2.W	ABS toilet paper hoops dispenser	298
03040.N	Black ABS manual liquid soap dispenser	139	04027.N	BLACK series - Paper handkerchief dispenser	287
03040.W	White ABS manual liquid soap dispenser	139	04028.N	BLACK series - Paper hoop dispenser	287
03041.B	1200 ml vertical liquid soap dispenser, polished finish AISI 304 stainless steel	132	04029.N	BLACK series - Hygienic bag dispenser	288
03041.S	1200 ml vertical liquid soap dispenser, satin finish AISI 304 stainless steel	132	04030.N	BLACK series - Bulkpack toilet paper dispenser	286
03042.B	Horizontal liquid soap dispenser, polished finish AISI 304 stainless steel	135	04031.N	BLACK series - Towel dispenser	286
03042.S	Horizontal liquid soap dispenser, satin finish AISI 304 stainless steel	135	04032.2.N	Black ABS paper towel dispenser, manual cut and supply	175
03043.W	White ABS manual liquid soap dispenser	139	04032.2.W	White ABS paper towel dispenser, manual cut and supply	175
03046.B	300 ml chromed brass manual vertical liquid soap dispenser	133	04032.N	BLACK series - Auto-cut towel paper dispenser	287
03047.S	255 ml wall mounted liquid soap dispenser	133	04033.N	BLACK series - Towel dispenser	287
03050.B	1200 ml vertical liquid soap dispenser, polished finish AISI 304 stainless steel	131	04035.REC.S	Satin finish AISI 304 stainless steel semi-recessed towel paper dispenser	174
03050.N	1200 ml vertical liquid soap dispenser, Black finish AISI 304 stainless steel	131	04035.S	stainless steel towel paper dispenser	174
03050.S	1200 ml vertical liquid soap dispenser, satin finish AISI 304 stainless steel	131	04046.B	stainless steel towel paper dispenser	165
03061.B	Vertical liquid soap dispenser polished finish	132	04046.S	stainless steel towel paper dispenser	165
03061.S	Vertical liquid soap dispenser satin finish	132	04047.W	White ABS paper towel dispenser	165
03100.B	500 ml polished finish stainless steel liquid soap dispenser	142	04049.B.2	Chromed ABS hygienic bag dispenser	299
03101.B	1000 ml liquid soap dispenser with ABS container	142	04050.B	Polished finish stainless steel hygienic bag dispenser	299
03102.S	1000 ml liquid soap dispenser on countertop	142	04050.S	Satin finish stainless steel hygienic bag dispenser	299
03103.S	1000 ml countertop foam dispenser	142	04098.MINI.S	Satin finish stainless steel center-pull towel paper mini-roll dispenser	172
03106.B	1000 ml liquid soap dispenser with ABS container to built-in	57	04099.B	Polished finish stainless steel center-pull towel paper roll dispenser	172
03106.MUL.B	1000 ml chromed brass multifeed liquid soap dispenser	129	04099.MINI.B	Polished finish stainless steel center-pull towel paper mini-roll dispenser	172
03108.DEP1	6 l multifeed system liquid soap dispenser tank	129	04099.MINI.S	Satin finish stainless steel center-pull towel paper mini-roll dispenser	172
03108.DEP2	6 l multifeed system liquid soap dispenser tank, refill from countertop	129	04099.S	Satin finish stainless steel center-pull towel paper roll dispenser	172
03108.DEP3	Led warning 6 l multifeed system liquid soap dispenser tank	129	04101.T	ABS center-pull towel paper roll dispenser	173
03113.B	Countertop liquid soap dispenser	127	04108.MINI.N	Black ABS CLASSIC series center-pull towel paper mini-roll dispenser	173
03114.B	Countertop liquid soap dispenser	127	04108.MINI.W	White ABS CLASSIC series center-pull towel paper mini-roll dispenser	173
03120.B	Wall mounted electronic liquid soap dispenser	127	04108.N	Black ABS CLASSIC series center-pull towel paper roll dispenser	173
03201.S	1200 ml flush mounted stainless steel liquid soap dispenser	143	04108.W	White ABS CLASSIC series center-pull towel paper roll dispenser	173
03202.S	Dosificador de jabón líquido encastrar horizontal 1200 ml acero inoxidable satinado	143	04112.W	White ABS paper towel dispenser for center-pull roll	173
03312.B	Electronic soap dispenser on countertop, laser activation	126	05001.B	Polish finish stainless steel industrial toilet paper roll dispenser	150
03313.B	Wall mounted electronic soap dispenser, laser activation	126	05001.S	Satin finish stainless steel industrial toilet paper roll dispenser	150
04001.N	Black ABS towel paper dispenser with manual lever	175	05001.W	White finish steel industrial toilet paper roll dispenser	150
04001.W	White ABS towel paper dispenser with manual lever	175	05001.XL.B	Polish finish stainless steel industrial toilet paper roll dispenser	150
04003.W	White ABS towel paper dispenser, folded towels or roll	175	05001.XL.S	Satin finish stainless steel industrial toilet paper roll dispenser	150
04004.2.N	Black ABS manual cut and automatic supply paper towel dispenser	175	05001.XL.W	White finish steel industrial toilet paper roll dispenser	150
04004.2.W	White ABS manual cut and automatic supply paper towel dispenser	175	05002.W	ABS double toilet paper roll dispenser	152
04005.B	Polished finish stainless steel towel paper dispenser	169	05004.N	Black ABS CLASSIC series toilet paper dispenser	152
04005.S	Satin finish stainless steel towel paper dispenser	169	05004.W	White ABS CLASSIC series toilet paper dispenser	152
04006.B	Polished finish AISI 304 stainless steel paper towel dispenser	168	05005.N	Black ABS CLASSIC series toilet paper dispenser	152
04006.N	Black finish AISI 304 stainless steel paper towel dispenser	168	05005.W	White ABS CLASSIC series toilet paper dispenser	152
04006.S	Satin finish AISI 304 stainless steel paper towel dispenser	168	05006.B	Polished finish AISI 304 stainless steel toilet paper dispenser	151
04006.W	White finish steel paper towel dispenser	168	05006.N	Black finish AISI 304 stainless steel toilet paper dispenser	151
04007.W	White finish AISI 304 stainless steel curved paper towel dispenser	168	05006.S	Satin finish AISI 304 stainless steel toilet paper dispenser	151
04008.B	Industrial towel paper roll holder	153	05006.W	White finish AISI 304 stainless steel toilet paper dispenser	151
04009.B	Industrial towel paper roll holder	153	05006.XL.B	XL polished finish AISI 304 stainless steel toilet paper dispenser	151
04010.B	Polished finish stainless steel toilet paper dispenser	169	05006.XL.N	XL black finish AISI 304 stainless steel toilet paper dispenser	151
04010.S	Satin finish stainless steel toilet paper dispenser	169	05006.XL.S	XL satin finish AISI 304 stainless steel toilet paper dispenser	151
04020.N	Black ABS CLASSIC series towel paper dispenser	169	05006.XL.W	XL white finish AISI 304 stainless steel toilet paper dispenser	151
04020.W	White ABS CLASSIC series towel paper dispenser	169	05007.B	Polish finish stainless steel toilet paper dispenser	157
04024.B	Chromed steel paper handkerchief dispenser	247	05007.S	stainless steel toilet paper dispenser	157
04025.B	Built-in tissue dispenser	298	05008.B	Polish finish stainless steel double toilet paper dispenser	158
04026.2.B	Polished finish AISI 304 stainless steel toilet paper hoops dispenser	298	05010.N	BLACK series - Industrial toilet paper dispenser	285
			05011.N	BLACK series - Industrial toilet paper dispenser	286

CODE	DESCRIPTION	PG.	CODE	DESCRIPTION	PG.
05012.B	Chromed steel double toilet paper dispenser	158	08006.B	Extendable mirror	306
05012.N	BLACK series - Industrial toilet paper dispenser	286	08006.N	Led extendable mirror	306
05013.B	Polish finish stainless steel toilet paper dispenser	157	08007.B	Extendable mirror	306
05013.S	Stainless steel toilet paper dispenser	157	08009.2.B	Extendable mirror	307
05015.S	Stainless steel double toilet paper dispenser	158	08009.2.N	Extendable mirror	307
05018.B	Polish finish stainless steel toilet paper dispenser	157	08012.B	Chromed ABS adjustable height mirror	306
05018.S	Polish finish stainless steel toilet paper dispenser	157	08015.B	Extendable mirror	307
05023.S	Satin finish stainless steel toilet paper dispenser with cover	157	08023.B	Reclining mirror for disabled with polished finish AISI 304 stainless steel frame	432
05025.S	Zamac toilet paper roll reserve	290	08023.S	Reclining mirror for disabled with polished finish AISI 304 stainless steel frame	432
05046.B	Polished finish AISI 304 stainless steel toilet paper roll dispenser	147	08023.W	Reclining mirror for disabled with polished finish AISI 304 stainless steel frame	432
05046.S	Satin finish AISI 304 stainless steel toilet paper roll dispenser	147	08024.B	Reclining mirror for disabled with polished finish AISI 304 stainless steel frame	432
05047.W	White finish ABS toilet paper roll dispenser	147	08024.S	Reclining mirror for disabled with polished finish AISI 304 stainless steel frame	432
05099.W	White ABS double toilet paper dispenser	158	08024.W	Reclining mirror for disabled with polished finish AISI 304 stainless steel frame	432
05100.B	Polish finish stainless steel triple toilet paper dispenser	161	08025.W	ALUMINIUM-NYLON reclining mirror for disabled	433
05100.S	Stainless steel triple toilet paper dispenser	161	08026.W	White ABS frame, stainless steel support	433
05101.B	Polish finish stainless steel double toilet paper dispenser	161	08050.B	Mirror with polished finish AISI 304 stainless steel frame	301
05101.S	Stainless steel double toilet paper dispenser	161	08050.S	Mirror with satin finish AISI 304 stainless steel frame	301
05101.W	White finish steel double toilet paper dispenser	161	08050.W	Mirror with white finish AISI 304 stainless steel frame	301
05104.W	White finish steel industrial toilet paper roll dispenser	153	08051.B	Mirror with polished finish AISI 304 stainless steel frame	301
05105.B	Polish finish stainless steel quadruple toilet paper dispenser	161	08051.S	Mirror with satin finish AISI 304 stainless steel frame	301
05105.S	Satin finish stainless steel quadruple toilet paper dispenser	161	08051.W	Mirror with white finish AISI 304 stainless steel frame	301
05107.S	Satin finish stainless steel bulkpack toilet paper dispenser	163	08052.B	Mirror with polished finish AISI 304 stainless steel frame	301
05108.S	Satin finish stainless steel bulkpack toilet paper dispenser	163	08052.S	Mirror with satin finish AISI 304 stainless steel frame	301
05118.N	Black ABS CLASSIC series bulkpack toilet paper dispenser	163	08052.W	Mirror with white finish AISI 304 stainless steel frame	301
05118.W	White ABS CLASSIC series bulkpack toilet paper dispenser	163	08053.S	Adapted mirror with satin finish AISI 304 stainless steel frame	433
05202.S	Satin finish stainless steel flush mounted double toilet paper dispenser	159	08071.B	70 x 50 cm especial polished finish AISI 304 stainless steel vandalproof mirror	373
05203.B	Polish finish stainless steel flush mounted double toilet paper dispenser	159	09002.S	Satin finish stainless steel hygienic bin	330
05203.S	Satin finish stainless steel flush mounted toilet paper dispenser	159	09004.S	Satin finish stainless steel hygienic bin	330
05204.B	Polish finish stainless steel flush mounted double toilet paper dispenser	159	09007.2.W	White ABS hygienic bin	330
05204.S	Satin finish stainless steel flush mounted toilet paper dispenser	159	09008.S	Trim Ring for countertop trash bin satin finish stainless steel	329
05206.B	Polish finish stainless steel flush mounted double toilet paper dispenser	159	09009.S	Trim Ring for countertop trash bin satin finish stainless steel	329
06016.2.K	Air freshener	459	09010.S	AISI 304 stainless steel hook with rubber doorstop	245
06028.B	Waterless valve for urinal	340	09011.S	AISI 304 stainless steel hook	245
06029.BFE	BIGFLOW EVO HEPA filter	93	09013.P.S	Vandal-proof hook	373
06029.CPT	CONCEPT HEPA filter	23	09013.R.S	Vandal-proof hook	373
06029.FGE	FUGA EVO HEPA filter	59	09015.S	CLASSIC series - satin finish stainless steel hook	245
06029.FSN	FUSION HEPA filter	63	09016.85.B	Individual hook	244
06029.THE	THIN EVO HEPA filter	87	09016.85.S	Vandal-proof hook	244
06029.VJET	V-JET HEPA filter	76	09016.B	CLASSIC series - stainless steel hook	244
06029.VJI	V-JET INOX HEPA filter	71	09016.S	CLASSIC series - satin finish stainless steel hook	244
06030.K	17030.W air freshener refill	459	09017.B	CLASSIC series - stainless steel hook	244
06035.01	Zero Smell - 1	76	09017.S	CLASSIC series - satin finish stainless steel hook	244
06035.04	Zero Smell - 4	76	09018.B	CLASSIC series - stainless steel hook	244
06045.FIX	Bathroom accessories fixing adhesive	216	09018.S	CLASSIC series - satin finish stainless steel hook	244
06046.K	Anti-chlorine filter container	448	09019.B	CLASSIC series - stainless steel hook	245
06047.K	Anti-chlorine filter	448	09019.S	CLASSIC series - satin finish stainless steel hook	245
06048.K	PP cotton filter	448	09021.B	Chromed brass hook	290
06049.K	UDF carbon filter	448	09023.B	CLASSIC series - polished finish stainless steel towel shelf with lower bar	242
06050.K	Auto-sanitizer refill	459	09023.S	CLASSIC series - satin finish stainless steel towel shelf with lower bar	242
07014.B	Faucet kit for toilet pan and washbasin combi 13123 and 13124	377	09025.B	CLASSIC series - polished finish stainless steel towel rail	240
07200.B	Lever operated mixer on countertop	427	09026.B	CLASSIC series - polished finish stainless steel towel rail	240
07201.B	Wall mounted lever operated mixer	427	09027.B	CLASSIC series - polished finish stainless steel towel rail	241
07210.B	Lever operated mixer	427	09027.S	CLASSIC series - satin finish stainless steel towel rail	241
07250.B	Automatic faucet on countertop	57	09028.B	CLASSIC series - polished finish stainless steel towel rail	241
07360.B	Electronic tap activated by laser standard flow	126	09028.S	CLASSIC series - satin finish stainless steel towel rail	241
07360M.B	Electronic mixer activated by laser standard flow	126	09030.B	CLASSIC series - 450 mm polished finish stainless steel towel rail	241
07361.B	Electronic tap activated by laser standard flow	126	09030.S	CLASSIC series - 450 mm satin finish stainless steel towel rail	241
07361M.B	Electronic mixer activated by laser standard flow	126			
08004.B	Extendable mirror	307			
08005.B	Extendable mirror	307			

CODE	DESCRIPTION	PG.	CODE	DESCRIPTION	PG.
09031.S	CLASSIC series - 600 mm satin finish stainless steel towel rail	241	09100.05.S	5 l satin finish stainless steel bin	320
09033.B	CLASSIC series - 450 mm polished finish stainless steel towel shelf	242	09100.05.W	5 l white finish steel bin	320
09034.B	CLASSIC series - 600 mm polished finish stainless steel towel shelf	242	09100.12.B	12 l polish finish stainless steel bin	320
09036.B	CLASSIC series - 600 mm polished finish stainless steel towel shelf	242	09100.12.N	12 l black finish stainless steel bin	320
09036.S	CLASSIC series - 600 mm polished finish stainless steel towel shelf	242	09100.12.S	12 l satin finish stainless steel bin	320
09037.B	CLASSIC series - polished finish stainless steel built-in soap dish	243	09100.12.W	12 l white finish steel bin	320
09038.B	CLASSIC series - polished finish stainless steel built-in soap dish	243	09100.20.B	20 l polish finish stainless steel bin	320
09039.183.B	Curtain rod	304	09100.20.S	20 l satin finish stainless steel bin	320
09039.230.A	Curtain rod	304	09100.30.B	30 l polish finish stainless steel bin	320
09040.152.B	Curtain rod	304	09100.30.S	30 l satin finish stainless steel bin	320
09042.B	Curtain rod	304	09107.W	CLASSIC series - White ABS toilet brush	246
09043.B	Ring for shower curtain	305	09108.N	BLACK series - Self standing toilet brush	288
09044.B	CLASSIC series - polished finish stainless steel soap dish	243	09109.N	BLACK series - Self standing toilet brush	288
09044.S	CLASSIC series - satin finish stainless steel soap dish	243	09111.06.B	6 l Polished finish stainless steel bin	321
09045.B	CLASSIC series - polished finish stainless steel towel rail with soap dish	243	09111.06.S	6 l Satin finish stainless steel bin	321
09047.B	CLASSIC series - polished finish stainless steel towel hoop	240	09111.12.B	12 l Polish finish stainless steel bin	321
09047.S	CLASSIC series - polished finish stainless steel towel hoop	240	09111.12.S	12 l Satin finish stainless steel bin	321
09048.B	CLASSIC series - 450 mm polished finish stainless steel utility shelf	241	09112.S	30 l Satin finish stainless steel bin	321
09048.S	CLASSIC series - 450 mm satin finish stainless steel utility shelf	241	09113.S	32 l Satin finish stainless steel bin	321
09049.B	Polished finish stainless steel towel ring	290	09114.S	5 l Satin finish stainless steel bin	321
09049.S	Satin finish stainless steel towel ring	290	09200.2.S	Built-in baby changing unit	453
09051.106.V	Shower curtain - 1830 x 1065 mm	305	09203.2.S	Wall mounted baby changing unit	453
09051.178.V	Shower curtain - 1830 x 1780 mm	305	09209.W	Polyethylene horizontal wall mounted baby changing unit	452
09052.B	Chromed brass soap basket	294	09211.W	Polyethylene wall mounted baby chair	452
09053.B	Chromed brass soap basket	294	09213.W	Horizontal baby changing unit	452
09054.B	Chromed brass soap basket	294	09214.S	Horizontal baby changing unit	453
09055.B	Chromed brass soap basket	294	09215.W	Vertical baby changing unit	452
09055.S	Chromed brass soap basket	294	10002.S	AISI 304 stainless steel cold water fountain 50 l/h	446
09056.B	Polish finish stainless steel soap basket	295	10006.B	AISI 304 stainless steel cold water fountain 25 l/h	446
09057.B	Polish finish stainless steel soap basket	295	10008.B	Push button tap for fountain	448
09058.B	CLASSIC series - polished finish stainless steel clothes line	247	10010.K	Plastic cup dispenser	448
09059.B	CLASSIC series - polished finish stainless steel toilet brush	283	10012.S	AISI 304 stainless steel cold water fountain 50 l/h, activated by laser sensor	447
09059.N	Black finish AISI 304 stainless steel toilet brush	303	10023.B	Water fountain with faucet	447
09059.S	CLASSIC series - satin finish stainless steel toilet brush	211	10071.B	Faucet for glass refills	448
09063.B	Polish finish stainless steel corner soap basket	295	10080.S	Wall mounted cold water fountain 30 l/h	446
09063.S	Polish finish stainless steel soap basket	295	11160.060.E	Stainless steel sink with frame and shelf	382
09064.B	Polish finish stainless steel soap basket	295	11160.060.F	Stainless steel sink	382
09064.S	Polish finish stainless steel soap basket	295	11160.060.K	Stainless steel sink with frame	382
09065.B	Polish finish stainless steel soap basket	295	11160.070.E	Stainless steel sink with frame and shelf	382
09071.B	Polish finish AISI 304 stainless steel toilet brush	302	11160.070.F	Stainless steel sink	382
09071.S	Satin finish AISI 304 stainless steel toilet brush	302	11160.070.K	Stainless steel sink with frame	382
09073.B	Polish finish stainless steel toilet brush	302	11170.070.E	Stainless steel sink with frame and shelf	382
09073.S	Satin finish stainless steel toilet brush	302	11170.070.F	Stainless steel sink	382
09074.B	Polish finish AISI 304 stainless steel toilet brush	302	11170.070.K	Stainless steel sink with frame	382
09074.S	Satin finish AISI 304 stainless steel toilet brush	302	11170.080.E	Stainless steel sink with frame and shelf	382
09075.B	Polish finish AISI 304 stainless steel toilet brush	251	11170.080.F	Stainless steel sink	382
09075.S	Satin finish AISI 304 stainless steel toilet brush	303	11170.080.K	Stainless steel sink with frame	382
09076.B	Polished finish AISI 304 stainless steel toilet brush	303	11170.100.E	Stainless steel sink with frame and shelf	382
09076.S	Satin finish AISI 304 stainless steel toilet brush	303	11170.100.F	Stainless steel sink	382
09077.B	Polish finish stainless steel toilet brush	303	11170.100.K	Stainless steel sink with frame	382
09077.S	Satin finish stainless steel toilet brush	303	11170.120.E	Stainless steel sink with frame and shelf	382
09078.B	Polish finish stainless steel toilet brush	188	11170.120.F	Stainless steel sink	382
09078.N	Black finish stainless steel toilet brush	192	11170.120.K	Stainless steel sink with frame	382
09078.S	Satin finish stainless steel toilet brush	184	11170.140.E	Stainless steel sink with frame and shelf	382
09079.S	Wall support stainless steel toilet brush	246	11170.140.F	Stainless steel sink	382
09100.03.B	3 l polish finish stainless steel bin	320	11170.140.K	Stainless steel sink with frame	382
09100.03.N	3 l black finish stainless steel bin	320	11260.100.E	Stainless steel sink with frame and shelf	382
09100.03.S	3 l satin finish stainless steel bin	320	11260.100.F	Stainless steel sink	382
09100.03.W	3 l white finish steel bin	320	11260.100.K	Stainless steel sink with frame	382
09100.05.B	5 l Polish finish stainless steel bin	320	11260.120.E	Stainless steel sink with frame and shelf	382
09100.05.N	5 l black finish stainless steel bin	320	11260.120.F	Stainless steel sink	382
			11260.120.K	Stainless steel sink with frame	382
			11260.130.E	Stainless steel sink with frame and shelf	382
			11260.130.F	Stainless steel sink	382
			11260.130.K	Stainless steel sink with frame	382
			11270.100.E	Stainless steel sink with frame and shelf	382

CODE	DESCRIPTION	PG.	CODE	DESCRIPTION	PG.
11670.080.E	Stainless steel central table with shelf	385	12053.H1	MUMO - Bigflow Evo	32
11670.080.K	Stainless steel central table	385	12053.H2	MUMO - Fuga Evo	32
11670.100.E	Stainless steel central table with shelf	385	12053.H3	MUMO - Fusion	33
11670.100.K	Stainless steel central table	385	12053.M	MUMO - Laser Faucet	30
11670.120.E	Stainless steel central table with shelf	385	12053.P	MUMO - Manual Paper	34
11670.120.K	Stainless steel central table	385	12053.PA	MUMO - Automatic Paper	34
11670.140.E	Stainless steel central table with shelf	385	12053.S1	MUMO - Laser Soap	31
11670.140.K	Stainless steel central table	385	12053.S2	MUMO - Automatic Soap	31
11670.150.E	Stainless steel central table with shelf	385	12055.070	MUMO - 700 mm unit	47
11670.150.K	Stainless steel central table	385	12055.080	MUMO - 800 mm unit	47
11670.160.E	Stainless steel central table with shelf	385	12055.100	MUMO - 1000 mm unit	47
11670.160.K	Stainless steel central table	385	12055.120	MUMO - 1200 mm unit	47
11670.180.E	Stainless steel central table with shelf	385	12055.090	MUMO - 900 mm unit	47
11670.180.K	Stainless steel central table	385	13002.B	AISI 304 stainless steel urinal	340
11670.200.E	Stainless steel central table with shelf	385	13003.12.S	AISI 304 stainless steel collective urinal 1200 mm	341
11670.200.K	Stainless steel central table	385	13003.18.S	AISI 304 stainless steel collective urinal 1800 mm	341
11670.220.E	Stainless steel central table with shelf	385	13003.24.S	AISI 304 stainless steel collective urinal 2400 mm	341
11670.220.K	Stainless steel central table	385	13004.70.B	Polish finished AISI 304 stainless steel waterless urinal	340
11670.240.E	Stainless steel central table with shelf	385	13004.70.S	Satin finished AISI 304 stainless steel waterless urinal	340
11670.240.K	Stainless steel central table	385	13004.B	AISI 304 stainless steel urinal	340
11680.100.E	Stainless steel central table with shelf	385	13004.P.S	Satin finished AISI 304 stainless steel vandal-proof urinal	374
11680.120.E	Stainless steel central table with shelf	385	13004.S	AISI 304 stainless steel urinal	340
11680.140.E	Stainless steel central table with shelf	385	13006.S	AISI 304 stainless steel urinal	341
11680.160.E	Stainless steel central table with shelf	385	13007.S	AISI 304 stainless steel urinal divider	341
11680.180.E	Stainless steel central table with shelf	385	13008.S	AISI 304 stainless steel urinal divider	341
11680.200.E	Stainless steel central table with shelf	385	13009.S	AISI 304 stainless steel wall-hung bidet	338
116A60.080.E	Stainless steel low central table with shelf	385	13011.S	AISI 304 stainless steel wall hung toilet pan	335
116A60.100.E	Stainless steel low central table with shelf	385	13012.B	AISI 304 stainless steel floor setteld toilet pan	334
116A60.120.E	Stainless steel low central table with shelf	385	13012.M.B	AISI 304 stainless steel floor setteld adapted toilet pan	335
116A60.140.E	Stainless steel low central table with shelf	385	13012.M.S	AISI 304 stainless steel floor setteld adapted toilet pan	335
116A60.160.E	Stainless steel low central table with shelf	385	13012.P.S	AISI 304 stainless steel floor setteld vandal-proof toilet pan	374
116A70.080.E	Stainless steel low central table with shelf	385	13012.PM.S	AISI 304 stainless steel floor setteld adapted and vandal-proof toilet pan	374
116A70.100.E	Stainless steel low central table with shelf	385	13012.S	AISI 304 stainless steel floor setteld toilet pan	334
116A70.120.E	Stainless steel low central table with shelf	385	13013.B	AISI 304 stainless steel floor setteld toilet pan	334
116A70.140.E	Stainless steel low central table with shelf	385	13013.S	AISI 304 stainless steel floor setteld toilet pan	334
116A70.160.E	Stainless steel low central table with shelf	385	13014.S	AISI 304 stainless steel floor setteld toilet pan for children	338
12001.S	Stainless steel flush mounted bin	365	13016.B	AISI 304 stainless steel floor setteld toilet pan with cistern	338
12007.S	Built-in toilet paper dispenser	368	13016.S	AISI 304 stainless steel floor setteld toilet pan with cistern	338
12008.P.S	Stainless steel flush mounted unit	368	13018.B	AISI 304 stainless steel wall-hung toilet pan	335
12009.S	Built-in compact unit with hidden paper dispenser and liquid soap dispenser	368	13018.S	AISI 304 stainless steel wall-hung toilet pan	335
12010.S	Stainless steel flush mounted unit	368	13021.B	AISI 304 stainless steel squat pan	339
12012.ADO.S	Stainless steel flush mounted unit	362	13022.RJ	AISI 304 stainless steel squat pan	339
12012.S	Stainless steel flush mounted unit	362	13022.SH	AISI 304 stainless steel squat pan	339
12017.ADO.S	Stainless steel surface mounted kit	106	13023.B	AISI 304 stainless steel squat pan	339
12017.ADO.S	Stainless steel surface mounted kit	105	13024.2.S	AISI 304 stainless steel washbasin	348
12017.HD.S	Stainless steel embedded handdryer	105	13026.B	AISI 304 stainless steel washbasin	361
12017.P.S	Stainless steel flush mounted unit	105	13027.B	AISI 304 stainless steel washbasin	361
12018.S	Stainless steel flush mounted unit	364	13028.B	Polish finished AISI 304 stainless steel washbasin Ø 305 on countertop	346
12019.HD.S	Stainless steel embedded handdryer	106	13028.B.PLANA	Polish finished AISI 304 stainless steel washbasin Ø 305 under countertop	347
12019.P.S	Stainless steel flush mounted unit	106	13028.RB	Polish finished AISI 304 stainless steel washbasin Ø 305 on countertop with overflow	346
12020.ADO.P.S	Stainless steel surface mounted kit	365	13028.RB.PLANA	Polish finished AISI 304 stainless steel washbasin Ø 305 under countertop with overflow	347
12020.ADO.S	Stainless steel surface mounted kit	363	13028.RS	Satin finished AISI 304 stainless steel washbasin Ø 305 on countertop with overflow	346
12020.P.S	Stainless steel flush mounted unit	365	13028.RS.PLANA	Satin finished AISI 304 stainless steel washbasin Ø 305 under countertop with overflow	347
12020.S	Stainless steel flush mounted unit	363	13028.S	Satin finished AISI 304 stainless steel washbasin Ø 305 on countertop	346
12021.ADO.S	Stainless steel surface mounted kit	363	13028.S.PLANA	Satin finished AISI 304 stainless steel washbasin Ø 305 under countertop	347
12021.S	Stainless steel flush mounted unit	363	13029.B	Polish finished AISI 304 stainless steel washbasin Ø 355 on countertop	346
12021.SM.S	Stainless steel flush mounted unit	364	13029.B.PLANA	Polish finished AISI 304 stainless steel washbasin Ø 355 under countertop	347
12029.S	Stainless steel flush mounted unit	367	13029.RB	Polish finished AISI 304 stainless steel washbasin Ø 355 on countertop with overflow	346
12031.S	Stainless steel flush mounted unit	367			
12035.S	Stainless steel flush mounted unit	367			
12041.S	Stainless steel flush mounted unit	365			
12047.ADO.P.S	Stainless steel surface mounted kit	366			
12047.ADO.S	Stainless steel surface mounted kit	366			
12047.P.S	Stainless steel flush mounted unit	366			
12047.S	Stainless steel flush mounted unit	366			
12053.CTS	MUMO CONCEPT	44			

CODE	DESCRIPTION	PG.	CODE	DESCRIPTION	PG.
13029.RB.PLANA	Polish finished AISI 304 stainless steel washbasin Ø 355 under countertop with overflow	347	13050.C	Galvanized steel collective washbasin bracket	357
13029.RS	Satin finished AISI 304 stainless steel washbasin Ø 355 on countertop with overflow	346	13050.P	Stainless steel collective washbasin leg	357
13029.RS.PLANA	Satin finished AISI 304 stainless steel washbasin Ø 355 under countertop with overflow	347	13051.S	Back splash for utility sink	351
13029.S	Satin finished AISI 304 stainless steel washbasin Ø 355 on countertop	346	13052.70.S	AISI 304 stainless steel shower tray	343
13029.S.PLANA	Satin finished AISI 304 stainless steel washbasin Ø 355 under countertop	347	13052.80.S	AISI 304 stainless steel shower tray	343
13030.B	Polish finished AISI 304 stainless steel washbasin Ø 405 on countertop	346	13052.90.S	AISI 304 stainless steel shower tray	343
13030.B.PLANA	Polish finished AISI 304 stainless steel washbasin Ø 405 under countertop	347	13054.2.S	AISI 304 stainless steel shower tray	342
13030.RB	Polish finished AISI 304 stainless steel washbasin Ø 405 on countertop with overflow	346	13054.P	AISI 304 stainless steel shower tray water outlet through wall	373
13030.RB.PLANA	Polish finished AISI 304 stainless steel washbasin Ø 405 under countertop with overflow	347	13055.2.S	AISI 304 stainless steel shower tray	342
13030.RS	Satin finished AISI 304 stainless steel washbasin Ø 405 on countertop with overflow	346	13056.2.S	AISI 304 stainless steel shower tray	342
13030.RS.PLANA	Satin finished AISI 304 stainless steel washbasin Ø 405 under countertop with overflow	347	13058.2.S	AISI 304 stainless steel bathtub	342
13030.S	Satin finished AISI 304 stainless steel washbasin Ø 405 on countertop	346	13060.S	AISI 304 stainless steel design washbasin	360
13030.S.PLANA	Satin finished AISI 304 stainless steel washbasin Ø 405 under countertop	347	13061.S	AISI 304 stainless steel design washbasin	360
13032.S	AISI 304 stainless steel wall mounted utility sink	351	13062.S	AISI 304 stainless steel design washbasin	360
13033.S	AISI 304 stainless steel washbasin	349	13063.S	AISI 304 stainless steel design washbasin	361
13036.A.S	AISI 304 stainless steel washbasin	348	13070.1.S	AISI 304 stainless steel, one service	356
13036.ALR.S	AISI 304 stainless steel washbasin	348	13070.2.S	AISI 304 stainless steel, two services	356
13036.C.S	AISI 304 stainless steel washbasin	352	13070.3.S	AISI 304 stainless steel, three services	356
13036.CLR.S	AISI 304 stainless steel washbasin	352	13071.1.S	AISI 304 stainless steel, one service	356
13036.P.S	AISI 304 stainless steel vandal-proof washbasin	375	13071.2.S	AISI 304 stainless steel, two services	356
13036.PL.S	AISI 304 stainless steel vandal-proof washbasin	375	13071.3.S	AISI 304 stainless steel, three services	356
13036.PR.S	AISI 304 stainless steel vandal-proof washbasin	375	13080.1.S	AISI 304 stainless steel, one service	356
13036.W	AISI 304 stainless steel washbasin with faucet	352	13080.2.S	AISI 304 stainless steel, two services	356
13037.B	AISI 304 stainless steel washbasin	348	13080.3.S	AISI 304 stainless steel, three services	356
13038.B	AISI 304 stainless steel washbasin	349	13081.1.S	AISI 304 stainless steel, one service	356
13039.A.S	AISI 304 stainless steel washbasin	349	13081.2.S	AISI 304 stainless steel, two services	356
13041.B	AISI 304 stainless steel washbasin	349	13081.3.S	AISI 304 stainless steel, three services	356
13042.B	AISI 304 stainless steel washbasin	350	13097.B	Polish finished AISI 304 stainless steel wall mounted squared washbasin	352
13044.2.S	AISI 304 stainless steel washbasin	344	13105.B	Chromed brass valve and siphon	357
13044.BAT	AISI 304 stainless steel washbasin	344	13106.W	Valve with stopper	357
13044.MINI	AISI 304 stainless steel washbasin	345	13107.B	Chromed brass valve, siphon and overflow tube	357
13044.MOV	AISI 304 stainless steel washbasin	345	13108.W	ABS valve with siphon, overflow tube and stopper	357
13045.2.S	AISI 304 stainless steel washbasin	344	13110.B	Chromed brass valve, siphon and overflow tube	357
13046.BAT	AISI 304 stainless steel washbasin	350	13111.K	WC water outlet connection	334
13046.S	AISI 304 stainless steel washbasin	350	13111.K	WC water outlet connection	338
13047.S	AISI 304 stainless steel washbasin	351	13112.K	WC water outlet connection	334
13048.S	AISI 304 stainless steel wall mounted utility sink	351	13112.K	WC water outlet connection	338
13049.S	AISI 304 stainless steel wall mounted utility sink	351	13113.B.2	Chromed ABS drill cover	357
13050.06.S	600 mm AISI 304 stainless steel collective washbasin	354	13123.C	AISI 304 stainless steel compact equipment WC and wash basin. WC central position	376
13050.06.SO.S	600 mm AISI 304 stainless steel collective washbasin	354	13123.L	AISI 304 stainless steel compact equipment WC and wash basin. WC left position	376
13050.06.SP.S	600 mm AISI 304 stainless steel collective washbasin	355	13123.R	AISI 304 stainless steel compact equipment WC and wash basin. WC right position	376
13050.06.SPO.S	600 mm AISI 304 stainless steel collective washbasin	355	13124.L	AISI 304 stainless steel compact equipment WC and wash basin. WC left position	377
13050.12.S	1200 mm AISI 304 stainless steel collective washbasin	354	13124.R	AISI 304 stainless steel compact equipment WC and wash basin. WC right position	377
13050.12.SO.S	1200 mm AISI 304 stainless steel collective washbasin	354	13142.KIT	Ergonomic toilet pan kit with cistern and cover	428
13050.12.SP.S	1200 mm AISI 304 stainless steel collective washbasin	355	13143.KIT	Ergonomic toilet pan kit with cistern and cover	428
13050.12.SPO.S	1200 mm AISI 304 stainless steel collective washbasin	355	13144.I	Ergonomic toilet pan seat for H50M toilet pan	424
13050.18.S	1800 mm AISI 304 stainless steel collective washbasin	354	13147.W	Toilet seat with cover for toilet pan for children	337
13050.18.SO.S	1800 mm AISI 304 stainless steel collective washbasin	354	13148.W	Toilet seat with cover for toilet pan for children	337
13050.18.SP.S	1800 mm AISI 304 stainless steel collective washbasin	355	13153.KIT	Wall-hung toilet with cover	428
13050.18.SPO.S	1800 mm AISI 304 stainless steel collective washbasin	355	13153.W	White ceramic wall-hung toilet	425
13050.24.S	2400 mm AISI 304 stainless steel collective washbasin	354	13182.B	Manual pneumatic flush concealed installation	425
13050.24.SO.S	2400 mm AISI 304 stainless steel collective washbasin	354	13184.B	Manual pneumatic flush exposed installation	425
13050.24.SP.S	2400 mm AISI 304 stainless steel collective washbasin	355	14018.W	23 l plastic bin with white ABS pedal	326
13050.24.SPO.S	2400 mm AISI 304 stainless steel collective washbasin	355	14019.W	23 l plastic bin with polyethylene pedal	327
13050.30.S	3000 mm AISI 304 stainless steel collective washbasin	354	14020.W	120 l container with pedal, handle and polyethylene wheels	327
13050.30.SO.S	3000 mm AISI 304 stainless steel collective washbasin	354	14022.25.W	25 l hygienic bin with pedal and polypropylene inner bucket	330
13050.30.SP.S	3000 mm AISI 304 stainless steel collective washbasin	355	14022.W	8 l hygienic bin with pedal and polypropylene inner bucket	330
13050.30.SPO.S	3000 mm AISI 304 stainless steel collective washbasin	355	14024.GR	45 l polypropylene hygienic tip open bin	326
			14025.W	8 l hygienic bin with pedal and polypropylene inner bucket	326
			14026.W	23 l ABS squared bin with cover and pedal	326
			14027.W	55 l ABS rectangular tip open bin	327
			14028.N	BLACK series - black, foot trash bin 13 l	289

CODE	DESCRIPTION	PG.	CODE	DESCRIPTION	PG.
14029.N	Bagholder ring for trash 14028 BLACK series, black	289	14178.P	Free-standing painted steel coat hanger with 8 hangers	308
14030.N	ABS bin, square, cover and pedal 23 l	289	14188.2.S	Satin finish stainless steel bin with pin tumbler lock	325
14040.N	Cover for trash bin 14030 BLACK series, black	289	15002.07.S	Satin finish AISI 304 stainless steel surgical sink for one user	353
14048.CI.S	Satin finished AISI 304 stainless steel high capacity recycling bin with 3 x 42 l inner buckets	313	15002.14.S	Satin finish AISI 304 stainless steel surgical sink for two users	353
14071.15.S	15 l satin finish AISI stainless steel bin with cover	313	15002.21.S	Satin finish AISI 304 stainless steel surgical sink for three users	353
14071.15.SC.S	15 l satin finish AISI stainless steel bin	312	15010.SM	AISI 304 stainless steel flush mounted bedpan washer one mixer	369
14071.50.S	50 l satin finish AISI stainless steel bin with cover	313	15010.ST	AISI 304 stainless steel flush mounted bedpan washer one self-closing faucet	369
14071.50.SC.S	50 l satin finish AISI stainless steel bin	312	15010.STM	AISI 304 stainless steel flush mounted bed pan washer one self-closing mixer	369
14071.80.S	80 l satin finish AISI stainless steel bin with cover	313	15011.S	AISI 304 stainless steel holder for one bed pan	369
14071.80.SC.S	80 l satin finish AISI stainless steel bin	312	15013.S	AISI 304 stainless steel holder for one hygienic bottle	369
14071.SC.W	80 l white finish AISI stainless steel bin	312	15029.S	stainless steel toilet cover for 13012, 13013 and 13018 toilet pans	336
14073.S	150 l satin finish AISI 304 stainless steel high capacity recycling bin with three buckets and cover	313	15032.W	Polypropylene raised toilet seat without cover	430
14073.SC.S	150 l satin finish AISI 304 stainless steel high capacity bin	312	15033.W	Polypropylene ergonomic raised toilet seat without cover	430
14075.40.B	40 l polished finish stainless steel rectangular tip open bin	317	15034.W	Polypropylene ergonomic raised toilet seat with cover and handles	430
14075.40.SC.B	40 l polished finish stainless steel rectangular bin	316	15035.2.W	White stainless steel folding seat with two height adjustable legs	420
14075.65.B	65 l polished finish stainless steel rectangular tip open bin	317	15035.XL.W	White stainless steel folding seat with side handles and two height adjustable legs	420
14075.65.SC.B	65 l polished finish stainless steel rectangular bin	316	15037.W	White polypropylene bathstool with adjustable feet	423
14075.80.B	80 l polished finish stainless steel rectangular tip open bin	317	15038.W	White polypropylene bathstool with stainless steel feet	423
14075.80.SC.B	80 l polished finish stainless steel rectangular bin	316	15039.W	Polypropylene ergonomic raised toilet seat with cover	431
14077.65.EVO.S	65 l satin finish AISI 304 stainless steel wall mounted bin	323	15040.NBA	White polypropylene seat for bath	422
14077.80.EVO.S	80 l satin finish AISI 304 stainless steel wall mounted bin	323	15041.B	Polished finish AISI 304 stainless steel folding seat	419
14077.B	23 l polished finish AISI 304 stainless steel wall mounted bin	322	15041.N	Black finish AISI 304 stainless steel folding seat	419
14077.EVO.S	23 l satin finish AISI 304 stainless steel wall mounted bin	323	15041.S	Satin finish AISI 304 stainless steel folding seat	419
14077.S	23 l satin finish AISI 304 stainless steel wall mounted bin	322	15041.W	White finish AISI 304 stainless steel folding seat	419
14077.W	23 l white finish AISI 304 stainless steel wall mounted bin	322	15042.FIX.NBA	NYLON series - Polypropylene folding seat with backrest	416
14078.B	23 l polished finish AISI 304 stainless steel wall mounted bin with cover	322	15042.MOV.B	Polish finish stainless steel removable shower seat (not foldable)	422
14078.EVO.S	23 l satin finish AISI 304 stainless steel wall mounted bin with cover	323	15042.MOV.NBA	NYLON series - Polypropylene folding seat with backrest	417
14078.S	23 l polished finish AISI 304 stainless steel wall mounted bin with cover	322	15042.MOV.S	Satin finish stainless steel removable shower seat (not foldable)	422
14078.W	23 l white finish AISI 304 stainless steel wall mounted bin with cover	322	15042.MOV.W	White finish stainless steel removable shower seat (not foldable)	422
14079.B	23 l polished finish AISI 304 stainless steel wall mounted bin with cover and pin tumbler lock	324	15042.NBA	NYLON series - Polypropylene folding seat with backrest	416
14079.S	23 l satin finish AISI 304 stainless steel wall mounted bin with cover and pin tumbler lock	324	15042.PAT.N	NYLON series - Black polypropylene folding seat with adjustable legs and backrest	417
14079.W	23 l white finish AISI 304 stainless steel wall mounted bin with cover and pin tumbler lock	324	15042.PAT.NBA	NYLON series - White polypropylene folding seat with adjustable legs and backrest	417
14082.2.W	12 l white stainless steel bin	319	15042.PIE.N	NYLON series - Black polypropylene folding seat with adjustable legs	417
14096.2.S	12 l satin finish stainless steel bin	319	15042.PIE.NBA	NYLON series - White polypropylene folding seat with adjustable legs	417
14097.S	10 l satin finish stainless steel bin	319	15043.2.NBA	AISI 304 stainless steel seat for bath	422
14098.2.S	11 l white steel wall mounted waste bin	325	15044.2.NBA	AISI 304 stainless steel seat for shower	423
14098.2.W	11 l white steel wall mounted waste bin	325	15045.B	Polished finish stainless steel foldable shower seat	418
14100.S	High capacity recycling bin with three 30 l buckets and cover	313	15045.NBA	White polypropylene folding shower seat with two adjustable legs	416
14102.S	38 l satin finish AISI 304 stainless steel half-embedded wall waste paper bin	328	15045.S	Satin finish stainless steel foldable shower seat	418
14103.S	21 l satin finish AISI 304 stainless steel built-in waste paper bin	328	15045.W	White finish stainless steel seat with floor support	418
14104.P.S	38 l satin finish AISI 304 stainless steel built-in waste paper bin	328	15046.B	Polished finish stainless steel foldable shower seat	418
14105.S	35 l satin finish AISI 304 stainless steel waste paper bin attached to wall	329	15046.S	Satin finish stainless steel foldable shower seat	418
14106.P.S	21 l satin finish AISI 304 stainless steel built-in waste paper bin	328	15046.W	White finish stainless steel foldable shower seat	418
14107.S	13 l satin finish AISI 304 stainless steel waste paper bin attached to wall	329	15047.60.N36	NYLON series - Triple arm Aluminium grab bar	411
14113.10.S	10 l satin finish AISI 304 stainless steel push-open bin	318	15047.60.NBA	NYLON series - Grab bar with three wall fixing points. Reversible position.	409
14113.40.S	40 l satin finish AISI 304 stainless steel push-open bin	318	15047.80.N36	NYLON series - Triple arm Aluminium grab bar	411
14114.10.B	10 l polished finish AISI 304 stainless steel push-open bin	318	15047.80.NBA	NYLON series - Grab bar with three wall fixing points. Reversible position.	409
14114.35.B	35 l polished finish AISI 304 stainless steel push-open bin	318	15047.85.B	Polished finish AISI 304 stainless steel triple support grab bar	398
14118.2.W	40 l AISI 304 stainless steel push-open bin	318	15047.85.S	Satin finish AISI 304 stainless steel triple support grab bar	398
14118.S	40 l satin finish stainless steel bin	318	15047.85.W	White finish AISI 304 stainless steel triple support grab bar	398
14122.2.S	24 l satin finish stainless steel bin with ashtray	331	15047.B	Polished finish AISI 304 stainless steel triple support grab bar	398
14122.2.W	24 l painted steel bin with ashtray	331	15047.S	Satin finish AISI 304 stainless steel triple support grab bar	398
14124.2.S	24 l satin finish stainless steel bin with ashtray	331	15047.W	White finish AISI 304 stainless steel triple support grab bar	398
14124.2.W	24 l painted steel bin with ashtray	331	15048.85.B	Polished finish AISI 304 stainless steel triple support grab bar	398
14160.B	Polished finish stainless steel wall ashtray	247			
14173.N	Free-standing hanger with six ABS hangers. Black colour	308			
14173.P	Free-standing hanger with six ABS hangers. Silver grey colour	308			

CODE	DESCRIPTION	PG.	CODE	DESCRIPTION	PG.
15048.85.S	Satin finish AISI 304 stainless steel triple support grab bar	398	15054.30.N	Black finish AISI 304 stainless steel 300 mm straight grab bar	395
15048.85.W	White finish AISI 304 stainless steel triple support grab bar	398	15054.30.NBA	NYLON series - 300 mm straight grab bar	405
15048.B	Polished finish AISI 304 stainless steel triple support grab bar	398	15054.30.S	Polished finish AISI 304 stainless steel 300 mm straight grab bar	395
15048.S	Polished finish AISI 304 stainless steel triple support grab bar	398	15054.30.W	White finish AISI 304 stainless steel 300 mm straight grab bar	395
15048.W	Polished finish AISI 304 stainless steel triple support grab bar	398	15054.40.NBA	NYLON series - 400 mm straight grab bar	405
15049.B	Polished finish AISI 304 stainless steel shower grab bar	403	15054.45.B	Polished finish AISI 304 stainless steel 450 mm straight grab bar	395
15049.N36	NYLON series - Triple arm Aluminium grab bar	412	15054.45.F	White finish steel 450 mm straight grab bar	395
15049.NBA	NYLON series - Shower grab bar	407	15054.45.N	Black finish AISI 304 stainless steel 450 mm straight grab bar	395
15049.S	Satin finish AISI 304 stainless steel shower grab bar	403	15054.45.S	Polished finish AISI 304 stainless steel 300 mm straight grab bar	395
15049.W	Polished finish AISI 304 stainless steel shower grab bar	403	15054.45.W	White finish AISI 304 stainless steel 100 mm straight grab bar	395
15050.B	Polished finish AISI 304 stainless steel shower grab bar	403	15054.50.N36	NYLON series - Aluminium straight grab bar	410
15050.N36	NYLON series - Triple arm Aluminium grab bar	412	15054.50.NBA	NYLON series - 500 mm straight grab bar	405
15050.NBA	NYLON series - Shower grab bar	407	15054.60.B	Polished finish AISI 304 stainless steel 600 mm straight grab bar	395
15050.S	Satin finish AISI 304 stainless steel shower grab bar	403	15054.60.F	White finish steel 600 mm straight grab bar	395
15050.W	Polished finish AISI 304 stainless steel shower grab bar	403	15054.60.N	Black finish AISI 304 stainless steel 600 mm straight grab bar	395
15051.60.B	Polished finish AISI 304 stainless steel 600 mm swing-up grab bar	396	15054.60.NBA	NYLON series - 600 mm straight grab bar	405
15051.60.F	White finish steel 600 mm swing-up grab bar	396	15054.60.S	Polished finish AISI 304 stainless steel 600 mm straight grab bar	395
15051.60.N	Black finish AISI 304 stainless steel 600 mm swing-up grab bar	396	15054.60.W	Polished finish AISI 304 stainless steel 600 mm straight grab bar	395
15051.60.NBA	NYLON series - Swing-up grab bar	405	15054.73.NBA	NYLON series - 730 mm straight grab bar	405
15051.60.S	Satin finish AISI 304 stainless steel 600 mm swing-up grab bar	396	15054.80.B	Polish finish AISI 304 stainless steel 800 mm straight grab bar	395
15051.60.W	White finish steel 600 mm swing-up grab bar	396	15054.80.F	White finish steel 800 mm straight grab bar	395
15051.80.B	Polished finish AISI 304 stainless steel 800 mm swing-up grab bar	396	15054.80.N	Black finish AISI 304 stainless steel 800 mm straight grab bar	395
15051.80.F	White finish steel 800 mm swing-up grab bar	396	15054.80.NBA	NYLON series - 800 mm straight grab bar	405
15051.80.N	Black finish AISI 304 stainless steel 800 mm swing-up grab bar	396	15054.80.S	Polished finish AISI 304 stainless steel 800 mm straight grab bar	395
15051.80.N36	NYLON series - Aluminium swing-up grab bar	411	15054.80.W	White finish AISI 304 stainless steel 100 mm straight grab bar	395
15051.80.NBA	NYLON series - Swing-up grab bar	405	15054.90.NBA	NYLON series - 900 mm straight grab bar	405
15051.80.S	Satin finish AISI 304 stainless steel 800 mm swing-up grab bar	396	15055.B	Polished finish AISI 304 stainless steel 645 mm grab bar	398
15051.80.W	White finish AISI 304 stainless steel 800 mm swing-up grab bar	396	15055.S	Satin finish AISI 304 stainless steel 645 mm grab bar	398
15051.85.B	Polished finish AISI 304 stainless steel 850 mm swing-up grab bar	396	15058.W	White finish AISI 304 stainless steel 645 mm grab bar	400
15051.85.S	Satin finish AISI 304 stainless steel 850 mm swing-up grab bar	396	15059.B	Polish finish AISI 304 stainless steel grab bar	400
15051.85.W	White finish AISI 304 stainless steel 850 mm swing-up grab bar	396	15059.W	White finish AISI 304 stainless steel grab bar	400
15051.NPR	NYLON series - Toilet paper holder for swing-up grab bar	409	15060.B	Polished finish AISI 304 stainless steel shower grab bar	401
15051.SP.80.B	Polished finish AISI 304 stainless steel 800 mm swing-up grab bar	396	15060.N	Black finish AISI 304 stainless steel shower grab bar	401
15051.SP.80.S	Satin finish AISI 304 stainless steel 800 mm swing-up grab bar	396	15060.NBA	NYLON series - Shower grab bar	406
15051.SP.80.W	White finish AISI 304 stainless steel 800 mm swing-up grab bar	396	15060.S	Satin finish AISI 304 stainless steel shower grab bar	401
15052.105.N36	NYLON series - Aluminium shower grab bar	413	15060.W	White finish AISI 304 stainless steel 100 mm angled grab bar	401
15052.B	Polished finish AISI 304 stainless steel shower grab bar	402	15061.N36	NYLON series - Aluminium straight grab bar	410
15052.N	Black finish AISI 304 stainless steel shower grab bar	402	15062.B	Polished finish AISI 304 stainless steel swing-up grab bar floor support	397
15052.N36	NYLON series - Aluminium shower grab bar	413	15062.S	Satin finish AISI 304 stainless steel swing-up grab bar floor support	397
15052.NBA	NYLON series - Shower grab bar	407	15062.W	White finish AISI 304 stainless steel swing-up grab bar floor support	397
15052.S	Satin finish AISI 304 stainless steel shower grab bar	402	15064.B	Polished finish AISI 304 stainless steel swing-up grab bar floor support	397
15052.W	White finish AISI 304 stainless steel shower grab bar	402	15064.N	Black finish AISI 304 stainless steel swing-up grab bar floor support	397
15053.B	Polished finish AISI 304 stainless steel grab bar kit for hotel	397	15064.N36	NYLON series - Aluminium swing-up grab bar	411
15053.S	Satin finish AISI 304 stainless steel grab bar kit for hotel	397	15064.NBA	NYLON series - Swing-up grab bar with floor anchorage	408
15053.W	White finish AISI 304 stainless steel grab bar kit for hotel	397	15064.S	Satin finish AISI 304 stainless steel swing-up grab bar floor support	397
15054.100.B	Polished finish AISI 304 stainless steel 1000 mm straight grab bar	395	15064.W	White finish AISI 304 stainless steel swing-up grab bar floor support	397
15054.100.N36	NYLON series - Aluminium straight grab bar	410	15065.50.S	Adapted folding seat of phenolic board stainless steel AISI 304 satin	418
15054.100.S	Satin finish AISI 304 stainless steel 1000 mm straight grab bar	395	15065.S	Adapted folding seat of phenolic board stainless steel AISI 304 satin	418
15054.100.W	White finish AISI 304 stainless steel 1000 mm straight grab bar	395	15066.S	Adapted folding seat of phenolic board stainless steel AISI 304 satin	419
15054.120.B	Polished finish AISI 304 stainless steel 1200 mm straight grab bar	395	15067.2.W	ALUMINIUM-ABS foldable shower seat	420
15054.120.NBA	NYLON series - 1200 mm straight grab bar	405	15069.B	Polished finish AISI 304 stainless steel 60° grab bar	402
15054.120.S	Polished finish AISI 304 stainless steel 1200 mm straight grab bar	395	15069.S	Satin finish AISI 304 stainless steel 60° grab bar	402
15054.120.W	White finish AISI 304 stainless steel 1200 mm straight grab bar	395	15069.W	White finish AISI 304 stainless steel 60° grab bar	402
15054.170.N36	NYLON series - Aluminium straight grab bar	410	15071.NBA	NYLON series - Hook	409
15054.30.B	Polished finish AISI 304 stainless steel 300 mm straight grab bar	395	15074.L	AISI 304 stainless steel double shower seat with phenolic board and wall support	419
15054.30.F	White finish steel 300 mm straight grab bar	395			

CODE	DESCRIPTION	PG.	CODE	DESCRIPTION	PG.
15075.N	Polyurethane padded backrest	425	16202.B	Polished finish zamac towel rack	292
15077.S	AISI 304 stainless steel backrest	418	16204.B	Polished finish zamac double towel rack	292
15149.B	Polished finish AISI 304 stainless steel shower grab bar	403	16207.B	Polished finish zamac towel rack	292
15149.S	Satin finish AISI 304 stainless steel shower grab bar	403	16208.B	Polished finish zamac double towel rack	292
15149.W	Polished finish AISI 304 stainless steel shower grab bar	403	16212.B	Polished finish zamac soap dish	293
15150.B	Polished finish AISI 304 stainless steel shower grab bar	403	16213.B	Polished finish zamac soap basket	293
15150.S	Satin finish AISI 304 stainless steel shower grab bar	403	16216.B	Polished finish zamac toilet paper roll holder	293
15150.W	Polished finish AISI 304 stainless steel shower grab bar	403	16217.B	Polished finish zamac toilet paper roll holder	293
15158.120.70.NBA	NYLON series - Angled grab bar	407	16218.B	Polished finish zamac toilet brush	293
15158.B	Polished finish AISI 304 stainless steel 90° grab bar	400	16220.40.G	CAPRI GOLD series - Towel rack	268
15158.N36	NYLON series - Triple arm Aluminium grab bar	412	16220.40.N	CAPRI BLACK series - Towel rack	272
15158.NBA	NYLON series - Angled grab bar	406	16220.60.G	CAPRI GOLD series - Towel rack	268
15158.S	Satin finish AISI 304 stainless steel 90° grab bar	400	16220.60.N	CAPRI BLACK series - Towel rack	272
15158.W	White finish AISI 304 stainless steel 90° grab bar	400	16221.G	CAPRI GOLD series - Hook	269
15159.120.70.NBA	NYLON series - Angled grab bar	407	16221.N	CAPRI BLACK series - Hook	273
15159.B	Polished finish AISI 304 stainless steel 90° grab bar	400	16223.G	CAPRI GOLD series - Towel rack with bottom bar	268
15159.N36	NYLON series - Triple arm Aluminium grab bar	413	16223.N	CAPRI BLACK series - Towel rack with bottom bar	272
15159.NBA	NYLON series - Angled grab bar	406	16225.G	CAPRI GOLD series - Soap dish	270
15159.S	Satin finish AISI 304 stainless steel 90° grab bar	400	16225.N	CAPRI BLACK series - Soap dish	274
15159.W	White finish AISI 304 stainless steel 90° grab bar	400	16226.G	CAPRI GOLD series - Utility shelf	268
15161.B	135° polished finish AISI 304 stainless steel angular grab bar	401	16226.N	CAPRI BLACK series - Utility shelf	272
15161.N	135° black finish AISI 304 stainless steel angular grab bar	401	16227.G	CAPRI GOLD series - Toilet brush	270
15161.NBA	NYLON series - support bar Aluminium coated with antibacterial polymers	406	16227.N	CAPRI BLACK series - Toilet brush	274
15161.S	135° satin finish AISI 304 stainless steel angular grab bar	401	16228.G	CAPRI GOLD series - Toilet paper roll holder	269
15161.W	135° white finish steel angular grab bar	401	16228.N	CAPRI BLACK series - Toilet paper roll holder	273
15162.B	Adapted support bar, angled 135° AISI 304 stainless steel bright	402	16229.G	CAPRI GOLD series - Toilet paper roll reserve	269
15162.NBA	NYLON series - grab bar coated aluminium with antibacterial polymers	406	16229.N	CAPRI BLACK series - Toilet paper roll reserve	273
15162.S	Satin finish AISI 304 stainless steel support bar	402	16231.G	CAPRI GOLD series - Toothbrush glass	270
15162.W	White finish AISI 304 stainless steel support bar	402	16231.N	CAPRI BLACK series - Toothbrush glass	274
15198.B	Polish finish AISI 304 stainless steel wall-floor grab bar	399	16303.B	Chromed brass towel rack	290
15198.S	Satin finish AISI 304 stainless steel wall-floor grab bar	399	16330.40.B	SANTORINI series - Polish finish chromed brass towel rack	254
15198.W	White finish AISI 304 stainless steel wall-floor grab bar	399	16330.60.B	SANTORINI series - Polish finish chromed brass towel rack	254
15203.B	Polish finish AISI 304 stainless steel wall-floor grab bar	399	16331.B	SANTORINI series - Polish finish chromed brass towel rack	254
15203.NBA	NYLON series - Wall-floor anchored grab bar, reversible	408	16332.B	SANTORINI series - Polish finish chromed brass angular handle	255
15203.S	Satin finish AISI 304 stainless steel wall-floor grab bar	399	16333.B	SANTORINI series - Polish finish chromed brass toilet paper roll holder	255
15203.W	White finish AISI 304 stainless steel wall-floor grab bar	399	16334.B	SANTORINI series - Polish finish chromed brass toilet paper roll reserve	255
15204.B	Polish finish AISI 304 stainless steel wall-floor grab bar	399	16335.B	SANTORINI series - Polish finish chromed brass toilet paper roll holder	255
15204.S	Satin finish AISI 304 stainless steel wall-floor grab bar	399	16339.B	SANTORINI series - Glass for toothbrush	256
15204.W	White finish AISI 304 stainless steel wall-floor grab bar	399	16340.B	SANTORINI series - Soap dish	256
15206.B	Polish finish AISI 304 stainless steel swing-up grab bar with foot to floor	397	16341.B	SANTORINI series - Polish finish chromed brass towel ring	254
15206.N	Black finish AISI 304 stainless steel swing-up grab bar with foot to floor	397	16342.B	SANTORINI series - Polish finish chromed brass toilet brush	256
15206.NBA	NYLON series - 800 mm swing-up grab bar with support to floor	408	16343.B	SANTORINI series - Polish finish chromed brass toilet paper roll holder	256
15206.S	Satin finish AISI 304 stainless steel swing-up grab bar with foot to floor	397	16344.B	Shower support bar Chrome-plated brass bright	257
15206.W	White finish AISI 304 stainless steel swing-up grab bar with foot to floor	397	16345.B	Angular shower support bar Chrome-plated brass bright	257
15208.B	SANTORINI series - Support for shower head	257	16350.B	SIENA series - Chromed brass toilet paper reserve	261
15209.32.B	Brascket shower sprayer Chrome-plated ABS	402	16351.B	SIENA series - 520 mm chromed brass straightbar	258
15209.32.NBA	NYLON series - Bracket shower sprayer, white	408	16352.B	SIENA series - 300 mm chromed brass straight bar	258
15209.34.B	Brascket shower sprayer Chrome-plated ABS	402	16354.B	SIENA series - Chromed brass angled handle	259
15209.34.NBA	NYLON series - B+F1649racket shower sprayer, white	408	16355.B	SIENA series - Chromed brass angled handle with soap basket	259
15210.K	Non-conductive plate	399	16356.B	SIENA series - Toothbrush glass with chromed brass support	261
15211.K	Non-conductive plate	399	16357.B	SIENA series - Chromed brass large towel hoop	258
15213.K	Non-conductive plate	399	16358.B	SIENA series - Chromed brass towel shelf with lower bar	259
15220.K	Non-conductive plate	399	16359.B	SIENA series - Chromed brass hook	260
15258.B	Polished finish AISI 304 stainless steel 90° grab bar	400	16360.B	SIENA series - Chromed brass double hook	260
15258.S	Satin finish AISI 304 stainless steel 90° grab bar	400	16361.B	SIENA series - Chromed brass toilet paper dispenser	261
15258.W	White finish AISI 304 stainless steel 90° grab bar	400	16362.B	SIENA series - Chromed brass soap dish	260
15259.B	Polished finish AISI 304 stainless steel 90° grab bar	400	16363.B	SIENA series - Chromed brass hook	260
15259.S	Satin finish AISI 304 stainless steel 90° grab bar	400	16370.B	MONACO series - Chromed brass double hook	264
15259.W	White finish AISI 304 stainless steel 90° grab bar	400	16371.B	MONACO series - Chromed brass towel rail	262
16051.B	Polish finish AISI 304 stainless steel doorstop	247	16372.B	MONACO series - Chromed brass soap dish	265
16051.S	Satin finish AISI 304 stainless steel doorstop	247	16373.B	MONACO series - Chromed brass double hook	264
			16374.B	MONACO series - Chromed brass toilet paper dispenser	263
			16376.B	MONACO series - Toothbrush glass with chromed brass support	265
			16377.B	MONACO series - Chromed brass towel hoop	262

CODE	DESCRIPTION	PG.	CODE	DESCRIPTION	PG.
16378.B	MONACO series - Chromed brass towel shelf with lower bar	263	16805.S	ROMA series - Satin finish stainless steel double toilet paper holder	211
16379.B	MONACO series - Chromed brass double hook	264	16820.40.S	ROMA series - Satin finish AISI 304 stainless steel towel rack	208
16381.B	MONACO series - Chromed brass toilet paper reserve	263	16820.60.S	ROMA series - Satin finish AISI 304 stainless steel towel rack	208
16390.40.B	CRETA POLISHED series - Chromed brass towel rack	250	16821.S	ROMA series - Satin finish stainless steel double hook	209
16390.60.B	CRETA POLISHED series - Chromed brass towel rack	250	16822.S	ROMA series - 600 mm satin finish stainless steel towel shelf	209
16391.B	CRETA POLISHED series - Chromed brass hook	251	16823.S	ROMA series - Satin finish stainless steel soap dish	211
16395.B	CRETA POLISHED series - Chromed brass toilet paper roll holder	251	16824.S	ROMA series - Satin finish stainless steel utility shelf	209
16401.B	HOTEL series - 450 mm polished finish amac towel rail	276	16825.S	ROMA series - Satin finish stainless steel toilet brush	211
16402.B	HOTEL series - 600 mm polished finish amac towel rail	276	16826.S	ROMA series - satin finish stainless steel double toilet paper holder	210
16404.B	HOTEL series - 450 mm polished finish amac double towel rail	277	16827.S	ROMA series - Satin finish stainless steel towel hoop	208
16405.B	HOTEL series - 600 mm polished finish amac double towel rail	277	16828.S	ROMA series - Satin finish stainless steel towel hoop	209
16406.B	HOTEL series - Polish finish zamac towel shelf	277	16829.S	ROMA series - Toilet paper roll holder	210
16407.B	HOTEL series - Polish finish zamac towel hoop	276	16843.B	VERONA POLISHED series - AISI 304 stainless steel towel rack shelf with bottom bar	187
16408.B	HOTEL series - Polish finish zamac double towel rail	276	16843.G	VERONA GOLD series - AISI 304 stainless steel towel rack shelf with bottom bar	178
16409.B	HOTEL series - Polish finish zamac hook	278	16843.N	VERONA BLACK series - AISI 304 stainless steel towel rack shelf with bottom bar	191
16410.B	HOTEL series - Toothbrush glass with zamac support	278	16843.S	VERONA SATIN series - AISI 304 stainless steel towel rack shelf with bottom bar	183
16411.B	HOTEL series - Polish finish zamac toilet paper reserve	279	16849.B	NIZA POLISHED series - AISI 304 stainless steel hook	228
16412.B	HOTEL series - Polish finish zamac soap dish	277	16849.N	NIZA BLACK series - AISI 304 stainless steel hook	236
16413.B	HOTEL series - Glass soap dish with polished finish amac support	278	16849.S	NIZA SATIN series - AISI 304 stainless steel hook	220
16415.B	HOTEL series - Glass utility shelf with polished finish amac supports	277	16850.40.B	NIZA POLISHED series - AISI 304 stainless steel towel rack	226
16416.B	HOTEL series - Polish finish zamac toilet paper dispenser	279	16850.40.N	NIZA BLACK series - AISI 304 stainless steel towel rack	234
16417.B	HOTEL series - Polish finish zamac toilet paper dispenser	278	16850.40.S	NIZA SATIN series - AISI 304 stainless steel towel rack	218
16418.B	HOTEL series - Toilet brush with polished finish zamac support and ceramics container	279	16850.60.B	NIZA POLISHED series - AISI 304 stainless steel towel rack	226
16419.B	HOTEL series - Polish finish zamac hook	278	16850.60.N	NIZA BLACK series - AISI 304 stainless steel towel rack	234
16500.B	LINE series - Polished finish zamac toilet paper roll holder	282	16850.60.S	NIZA SATIN series - AISI 304 stainless steel towel rack	218
16500.S	LINE series - Satin finish zamac toilet paper dispenser	282	16851.B	NIZA POLISH series - AISI 304 stainless steel hook	228
16501.40.B	LINE series - Polished finish zamac towel rack	280	16851.N	NIZA BLACK series - AISI 304 stainless steel hook	236
16501.50.B	LINE series - Polished finish zamac towel rack	280	16851.S	NIZA SATIN series - AISI 304 stainless steel hook	220
16501.50.S	LINE series - Satin finish zamac towel rack	280	16852.B	NIZA POLISH series - AISI 304 stainless steel hook	228
16501.65.B	LINE series - Polished finish zamac towel rack	280	16852.N	NIZA BLACK series - AISI 304 stainless steel hook	236
16504.B	LINE series - Polish finish zamac towel hoop	280	16852.S	NIZA SATIN series - AISI 304 stainless steel hook	220
16504.W	LINE series - White finish zamac towel hoop	280	16853.B	NIZA POLISHED series - AISI 304 stainless steel double towel rail	227
16505.B	LINE series - Polish finish zamac toilet paper reserve	282	16853.N	NIZA BLACK series - AISI 304 stainless steel double towel rail	235
16506.B	LINE series - Polish finish zamac hook	282	16853.S	NIZA SATIN series - AISI 304 stainless steel double towel rail	219
16507.B	LINE series - Polish finish zamac hook strip with four hooks	281	16854.B	NIZA POLISHED series - AISI 304 stainless steel towel rail	227
16508.B	LINE series - Polish finish zamac hook strip with seven hooks	281	16854.N	NIZA BLACK series - AISI 304 stainless steel towel rail	235
16509.B	LINE series - 450 mm polished finish zamac double towel rail	281	16854.S	NIZA SATIN series - AISI 304 stainless steel towel rail	219
16510.B	LINE series - 600 mm polished finish zamac double towel rail	281	16855.B	NIZA POLISHED series - AISI 304 stainless steel soap dish	230
16515.B	LINE series - Glass utility shelf with polished finish zamac supports	281	16855.N	NIZA BLACK series - AISI 304 stainless steel soap dish	238
16515.S	LINE series - Glass utility shelf with satin finish zamac supports	281	16855.S	NIZA SATIN series - AISI 304 stainless steel soap dish	222
16515.W	LINE series - Glass utility shelf with satin finish zamac supports	281	16856.B	NIZA POLISHED series - Glass and AISI 304 stainless steel utility shelf	227
16518.B	LINE series - Polish finish zamac toilet brush	283	16856.N	NIZA BLACK series - Glass and AISI 304 stainless steel utility shelf	235
16518.S	LINE series - Satin finish zamac toilet brush	283	16856.S	NIZA SATIN series - Glass and AISI 304 stainless steel utility shelf	219
16519.B	LINE series - Polish finish zamac toilet paper reserve	283	16857.B	NIZA POLISHED series - AISI 304 stainless steel toilet brush	231
16519.S	LINE series - Satin finish zamac toilet brush	283	16857.N	NIZA BLACK series - AISI 304 stainless steel toilet brush	239
16525.B	Polished finish zamac toilet brush	290	16857.S	NIZA SATIN series - AISI 304 stainless steel toilet brush	223
16530.B	Polished finish chromed brass	291	16858.B	NIZA POLISHED series - AISI 304 stainless steel toilet paper roll holder	230
16531.B	Polished finish chromed brass	291	16858.N	NIZA BLACK series - AISI 304 stainless steel toilet paper roll holder	238
16533.B	Polished finish chromed brass toilet paper roll holder	291	16858.S	NIZA SATIN series - AISI 304 stainless steel toilet paper roll holder	222
16535.B	Polished finish chromed brass glass shelf	291	16859.B	NIZA POLISHED series - AISI 304 stainless steel toilet paper roll reserve	230
16537.B	Polished finish chromed brass towel ring	291	16859.N	NIZA BLACK series - AISI 304 stainless steel toilet paper roll reserve	238
16720.2.S	AISI 304 stainless steel pictogram	300	16859.S	NIZA SATIN series - AISI 304 stainless steel toilet paper roll reserve	222
16721.2.S	AISI 304 stainless steel pictogram	300	16860.B	NIZA POLISHED series - AISI 304 stainless steel towel rack	226
16722.2.S	AISI 304 stainless steel pictogram	300	16860.N	NIZA BLACK series - AISI 304 stainless steel towel rack	234
16723.2.S	AISI 304 stainless steel pictogram	300	16860.S	NIZA SATIN series - AISI 304 stainless steel towel rack	218
16724.2.S	AISI 304 stainless steel pictogram	300			
16725.2.S	AISI 304 stainless steel pictogram	300			
16730.2.S	AISI 304 stainless steel pictogram	300			
16733.2.S	AISI 304 stainless steel pictogram	300			
16735.2.S	AISI 304 stainless steel pictogram	300			
16804.S	ROMA series - Satin finish stainless steel double toilet paper holder	210			

CODE	DESCRIPTION	PG.	CODE	DESCRIPTION	PG.
16861.B	NIZA POLISHED series - Toothbrush glass with AISI 304 stainless steel support	231	16906.B	BARCELONA series - Polished finish AISI 304 stainless steelhook	216
16861.N	NIZA BLACK series - Toothbrush glass with AISI 304 stainless steel support	239	16907.B	BARCELONA series - Polished finish AISI 304 stainless steel	216
16861.S	NIZA SATIN series - Toothbrush glass with AISI 304 stainless steel support	223	16910.B	BARCELONA series - Polished finish AISI 304 utility shelf	215
16862.B	NIZA POLISHED series - AISI 304 stainless steel toilet paper roll holder	229	16911.B	BARCELONA series - Polished finish AISI 304 stainless steesoap dish	216
16862.N	NIZA BLACK series - AISI 304 stainless steel toilet paper roll holder	237	16912.B	BARCELONA series - Polished finish AISI 304 stainless steesoap dish	216
16862.S	NIZA SATIN series - AISI 304 stainless steel toilet paper roll holder	221	16913.B	BARCELONA series - Glass for toothbruses with polished finish AISI 304 stainless steel support	217
16869.B	NIZA POLISHED series - AISI 304 stainless steel toilet paper roll reserve	229	16914.B	BARCELONA series - Double glass for toothbruses with polished finish AISI 304 stainless steel support	217
16869.N	NIZA BLACK series - AISI 304 stainless steel toilet paper roll reserve	237	16915.B	BARCELONA series - Polished finish AISI 304 stainless steetoilet brush	217
16869.S	VERONA SATIN series - AISI 304 stainless steel toilet paper roll reserve	221	16916.B	BARCELONA series - Polished finish AISI 304 stainless steetowel shelf with lower bar	214
16870.40.B	VERONA POLISHED series - AISI 304 stainless steel toilet paper roll reserve	186	16917.B	AISI 304 stainless steel double towel rail	215
16870.40.G	VERONA GOLD series - AISI 304 stainless steel towel rack	178	16920.40.B	CORINTO POLISHED series - AISI 304 stainless steel towel rack	200
16870.40.N	VERONA BLACK series - AISI 304 stainless steel towel rack	190	16920.40.N	CORINTO BLACK series - AISI 304 stainless steel towel rack	204
16870.40.S	VERONA SATIN series - AISI 304 stainless steel towel rack	182	16920.40.S	CORINTO SATIN series - AISI 304 stainless steel towel rack	196
16870.60.B	VERONA POLISHED series - AISI 304 stainless steel towel rack	186	16920.60.B	CORINTO POLISHED series - AISI 304 stainless steel towel rack	200
16870.60.G	VERONA GOLD series - AISI 304 stainless steel towel rack	178	16920.60.N	CORINTO BLACK series - AISI 304 stainless steel towel rack	204
16870.60.N	VERONA BLACK series - AISI 304 stainless steel towel rack	190	16920.60.S	CORINTO SATIN series - AISI 304 stainless steel towel rack	196
16870.60.S	VERONA SATIN series - AISI 304 stainless steel towel rack	182	16921.B	CORINTO POLISHED series - AISI 304 stainless steel hook	201
16871.B	VERONA POLISHED series - AISI 304 stainless steel hook	187	16921.N	CORINTO BLACK series - AISI 304 stainless steel hook	205
16871.G	VERONA GOLD series - AISI 304 stainless steel hook	179	16921.S	CORINTO SATIN series - AISI 304 stainless steel hook	197
16871.N	VERONA BLACK series - AISI 304 stainless steel hook	191	16923.B	CORINTO POLISHED series - AISI 304 stainless steel shelf	201
16871.S	VERONA SATIN series - AISI 304 stainless steel hook	183	16923.N	CORINTO BLACK series - AISI 304 stainless steel shelf	205
16873.B	Polished finish AISI 304 stainless steel hook	201	16923.S	CORINTO SATIN series - AISI 304 stainless steel shelf	197
16873.N	Black finish AISI 304 stainless steel hook	191	16925.B	CORINTO POLISHED series - AISI 304 stainless steel soap dish	203
16873.S	Satinado finish AISI 304 stainless steel hook	183	16925.N	CORINTO BLACK series - AISI 304 stainless steel soap dish	207
16874.B	Polished finish AISI 304 stainless steel hook	186	16925.S	CORINTO SATIN series - AISI 304 stainless steel soap dish	199
16874.N	Black finish AISI 304 stainless steel towel rack	190	16929.B	CORINTO POLISHED series - AISI 304 stainless steel toilet paper roll holder	202
16874.S	Satin finish AISI 304 stainless steel towel rack	196	16929.N	CORINTO BLACK series - AISI 304 stainless steel toilet paper roll holder	206
16875.B	VERONA POLISHED series - AISI 304 stainless steel soap dish	188	16929.S	CORINTO SATIN series - AISI 304 stainless steel toilet paper roll holder	198
16875.G	VERONA GOLD series - AISI 304 stainless steel soap dish	179	16930.B	CORINTO POLISHED series - AISI 304 stainless steel towel rack	200
16875.N	VERONA BLACK series - AISI 304 stainless steel soap dish	192	16930.N	CORINTO BLACK series - AISI 304 stainless steel towel rack	204
16875.S	VERONA SATIN series - AISI 304 stainless steel soap dish	184	16930.S	CORINTO SATIN series - AISI 304 stainless steel towel rack	196
16876.B	Polish finish AISI 304 stainless steel toilet paper roll holder	187	16931.B	CORINTO POLISHED series - Toothbrush glass with AISI 304 stainless steel support	203
16876.G	VERONA GOLD series - AISI 304 stainless steel toilet paper roll holder	178	16931.N	CORINTO BLACK series - Toothbrush glass with AISI 304 stainless steel support	207
16876.N	Black finish AISI 304 stainless steel toilet paper roll holder	191	16931.S	CORINTO SATIN series - Toothbrush glass with AISI 304 stainless steel support	199
16876.S	Satin finish AISI 304 stainless steel toilet paper roll holder	183	16932.B	CORINTO POLISHED series - AISI 304 stainless steel toilet paper roll holder	202
16877.B	VERONA POLISHED series - AISI 304 stainless steel toilet brush	188	16932.N	CORINTO BLACK series - AISI 304 stainless steel toilet paper roll holder	206
16877.G	VERONA GOLD series - AISI 304 stainless steel toilet brush	179	16932.S	CORINTO SATIN series - AISI 304 stainless steel toilet paper roll holder	198
16877.N	VERONA BLACK series - AISI 304 stainless steel toilet brush	192	16937.B	CORINTO POLISHED series - AISI 304 stainless steel toilet brush	203
16877.S	VERONA SATIN series - AISI 304 stainless steel toilet brush	184	16937.N	CORINTO BLACK series - AISI 304 stainless steel toilet brush	207
16878.B	Polished finish AISI 304 stainless steel toilet paper roll holder	202	16937.S	CORINTO SATIN series - AISI 304 stainless steel toilet brush	199
16878.N	Black finish AISI 304 stainless steel toilet paper roll holder	206	17030.W	Air freshener	459
16878.S	Satin finish AISI 304 stainless steel toilet paper roll holder	198	17051.2.W	Air freshener	459
16880.B	VERONA POLISHED series - AISI 304 stainless steel towel rack	186	17054.240.I	Electric insect-killer. Coverage 240 m ²	458
16880.G	VERONA GOLD series - AISI 304 stainless steel towel rack	178	17054.40.A	Electric insect-killer. Coverage 40 m ²	458
16880.N	VERONA BLACK series - AISI 304 stainless steel towel rack	190	17054.80.A	Electric insect-killer. Coverage 80 m ²	458
16880.S	VERONA SATIN series - AISI 304 stainless steel towel rack	182	17060.25.W	White electric insect-killer. Coverage 25 m ²	458
16881.B	VERONA POLISHED series - Toothbrush glass with AISI 304 stainless steel support	188	17100.B	Chromed ABS rechargeable WC auto-sanitizer	459
16881.G	VERONA GOLD series - Toothbrush glass with AISI 304 stainless steel support	179	17100.W	White ABS rechargeable WC auto-sanitizer	459
16881.N	VERONA BLACK series - Toothbrush glass with AISI 304 stainless steel support	192	18003.B	65 W electric towel rail	299
16881.S	VERONA SATIN series - Toothbrush glass with AISI 304 stainless steel support	184	18010.T	Electronic scale	299
16900.B	BARCELONA series - Polished finish AISI 304 stainless steel toilet paper reserve	215	186D	Lever operated thermostatic self-closing mixer	427
16901.B	BARCELONA series - Polished finish AISI 304 stainless steetowel rack	214	187D	Manual shower for bidet	427
16902.B	BARCELONA series - Polished finish AISI 304 stainless steetowel rack	214	188D	Manual shower for bidet	427
16905.B	BARCELONA series - Polished finish AISI 304 stainless steetowel ring	214			

CODE	DESCRIPTION	PG.	CODE	DESCRIPTION	PG.
2040AR	White Durolux toilet seat with frontal opening	424	K10	Ergonomic raised toilet seat with cover and front opening	431
21M	White ceramics floor settled toilet pan with cistern, S-trap outlet and front opening	424	OP.0154.C	Faucet hole for industrial sinks. Centered	390
21S	White ceramics floor settled toilet pan with S-trap outlet and front opening	424	OP.0154.D	Faucet hole for industrial sinks. Right	390
302A	Exposed siphon with flexible pipe and valve for H5 washbasin	426	OP.0154.EC	Faucet hole for industrial sinks. Between sink	390
302P	Concealed siphon with flexible pipe and valve for H5 washbasin	426	OP.0154.I	Faucet hole for industrial sinks. Left	390
303A	Fixed washbasin support	426	SC300.	Eyewasher polypropylene bowl	438
303B	Manual washbasin support	426	SC300SS	Eyewasher stainless steel bowl	438
303C	Pneumatic washbasin support	426	SC310.	Eyewasher polypropylene bowl	439
303D	Fixed bracket adaptor for pneumatic recliner stand for washbasin 13024.2.S	426	SC310SS	Eyewasher stainless steel bowl	439
304H.2	Metallic frame for wall-jung WC support	425	SC320.	Eyewasher polypropylene bowl	438
31P	White ceramics floor settled toilet pan with P-trap outlet and front opening	424	SC320SS	Eyewasher stainless steel bowl	438
3460CL000	Toilet pan seat	337	SC330.	Adapted emergency eyewash polypropylene collector	439
5000AR	White colour pressed wood toilet pan seat with cover, universal adaptation	336	SC330SS	Adapted emergency eyewash polypropylene collector	439
5000AR047	White colour pressed wood toilet pan seat with cover, universal adaptation	336	SC380.	Eyewasher polypropylene bowl	438
5000AR492	White colour pressed wood toilet pan seat with cover, universal adaptation	336	SC380SS	Eyewasher stainless steel bowl	438
90329	Battery adapter	57	SC391.	18 l pressurized portable eyewasher unit	443
90775.B	Valve with plug	357	SC392.	18 l pressurized portable double eyewasher unit	443
90806.TR	AC/DC adaptor	125	SC410.	Adapted emergency eyewash polypropylene collector	439
90807.FP	Foam pump	125	SC410SS	Adapted emergency eyewash polypropylene collector	439
90807.LP	Liquid soap valve replacement	125	SC421.	Adapted emergency eyewash polypropylene collector	443
90807.SP	Spray valve replacement	125	SC422.	Adapted emergency eyewash polypropylene collector	443
98416.05	MUMO - 50 mm stainless steel brackets	35	SC431.	Adapted emergency eyewash polypropylene collector	443
98416.10	MUMO - 100 mm stainless steel brackets	35	SC432.	Adapted emergency eyewash polypropylene collector	443
98416.15	MUMO - 150 mm stainless steel brackets	35	SC700.	Emergency shower and eyewasher combination polypropylene bowl and shower head	441
100360	Durolux plastic toilet pan seat	337	SC700SS	Emergency shower and eyewasher combination stainless steel bowl and shower head	441
C1	ABS cistern for toilet pan	425	SC710.	Emergency shower and eyewasher combination polypropylene bowl and shower head	441
EJ0026612G	45 l Flame retardant waste paper bin	331	SC710SS	Emergency shower and eyewasher combination stainless steel bowl and shower head	441
EJ0026655G	200 l Flame retardant waste paper bin	331	SC740.	Combination of polypropylene emergency shower and eyewash	441
EJ00268501	Outdoor polyethylene ashtray. Grey colour	331	SC740SS	Combination of polypropylene emergency shower and eyewash	441
EJ00268502	Outdoor polyethylene ashtray. Grey colour	331	SC800.	Emergency shower polypropylene shower head	440
EJ00268503	Outdoor polyethylene ashtray. Grey colour	331	SC800SS	Emergency shower stainless steel shower head	440
H11	Ergonomic washbasin kit with manual reclinable mechanism	429	SC820.	Emergency shower polypropylene shower head	440
H12	Ergonomic washbasin kit with manual reclinable mechanism	429	SC820SS	Emergency shower stainless steel shower head	440
H14	Ergonomic washbasin kit with manual reclinable mechanism	429	SC830.	Emergency shower polypropylene shower head	440
H15	Ergonomic washbasin kit with manual reclinable mechanism	429	SC830SS	Emergency shower stainless steel shower head	440
H42	White CERAMICS floor settled toilet pan with S-trap outlet and front opening	428	SCP380.	Platform with emergency eyewash, polypropylene sprayer	442
H42A	White CERAMICS floor settled toilet pan with P-trap outlet and front opening	428	SCP380SS	Platform with emergency eyewash, stainless steel sprayer	442
H5	White CERAMICS ergonomic washbasin	426	SCP730.	Platform with emergency eyewash, antifreeze valve and selfdraining. Polypropylene sprayer and collector	442
H500	Adapted bath with seat	421	SCP730SS	Platform with emergency eyewash, antifreeze valve and selfdraining. Stainless steel sprayer and collector	442
H501	Adapted bath with seat	421	SCP800.	Platform with emergency shower stainless steel sprayer	442
H502	Adapted bath with seat	421	SCP800SS	Platform with emergency shower polypropylene sprayer	442
H503	Adapted bath with seat	421			
H504	Adapted bath with seat	421			
HK	Help Kit	429			

general conditions of sale

NOFER CONDITIONS OF SALE

The descriptions and photographs contained in our catalogue are with an information purpose only. Our company policy is to improve our products continuously; therefore we reserve the right to change specifications without prior notification. Colours shown in printed images may vary from the colours of the finished products.

PRICES

Prices do not include VAT or other taxes. The catalog prices can change without prior notification and are valid according to the current rates on the date of expedition.

ORDERS

All orders must be formalized in writing. Essential for the special manufacturing:

- To attach a sketch with the dimensions of the ordered product.
- To pay 50% of the amount at the time of the order acceptance. The remainder shall be paid according to the agreed conditions.
- Prices do not include installation or start-up.

DELIVERY

- The merchandise contained in this catalogue is subject of a process of manufacturing. For this reason the delivery time provided by NOFER, S.L. for the products ordered by the purchaser, shall be considered as approximate or estimated time.
- Any eventual delay in delivery shall not give rise to any penalty or compensation for damages, or allow the buyer to cancel the order.

TRANSPORTATION OF MERCHANDISE

- When the goods are freight due, NOFER, S.L. is exonerated of possible flaws or defects that might be due to transportation of the goods.
- When the goods freight is prepaid, the customer must notify to NOFER, S.L., in writing and **within 24 hours of the receipt of the goods**, any defect attributable to the forwarder, in order to facilitate the claim of responsibility according to Law 16/1987 of Management of Land Transport and RD 1.111 / 1990 laying down the rules of the LOTT.

- The claim against the carrier for damage or breakdown should be in the act of receiving the packages in case of visible damages and within 24 hours of receipt. If the damages were not visible, protest or reservation should be in writing.
- The goods travel always at the buyer's risk, even in cases of special agreements.
- Carriage prepaid: From 500 €.

CLAIMS AND REFUNDS

Will not be accepted after FIFTEEN DAYS from the date of the receipt of the goods. The date of the carrier's delivery note will record the date of receipt of the goods.

No refund without the original NOFER's packaging and the express consent by NOFER, S.L. will be accepted. No refunds are permitted for custom manufactured items.

Any unjustified returned material, if paid, will suffer a minimum of 15% automatic depreciation on the invoiced amount, for management expenses and storage. The depreciation can be increased after an expert valuation.

WARRANTIES

Under the conditions described in the certificates included in the relevant section, the warranty is limited to the replacement of parts and spares that the NOFER, S.L. technical staff recognize, in our company and without compensation of any kind. The warranty does not include transport or solving breakdowns caused by reasons beyond the design or manufacture of the product or originated by improper handling, installation or maintenance, or by the normal wear.

PAYMENT

Up to the granting of the appropriate classification and risk, all operations will be prepaid.

SUCCESSIVE OPERATIONS

Deferral of payment of our invoices shall be agreed between both parties. After the set deadlines, we are allowed to post automatically the interest for late payment at the rate of ONE PERCENT per month or fraction of a month.

TAXES

Invoice charged under applicable law.

RETENTION OF TITLE

The goods are considered property NOFER, S.L. until the full payment by the customer, taking NOFER, S.L. until then the retention of title.

JURISDICTION

Will be competent only in case of dispute, the Courts of Barcelona.

REPARATIONS

The reparations will be held for the authorized Assistance Services or in NOFER, S.L., previous the corresponding budget acceptance.
IMPORTANT: budget cost 15 €.

 **NOFER**
BRAND GROUP

close to you

products made in Spain





Barajas Airport - Madrid (Spain)





New Administrative Capital (NAC) - Egypt





Katara Towers - Lusail City (Qatar)





Almasa Alamein Hotel - Alamein City (Egypt)





Giardini Cala Ginepro Hotel - Sardinia (Italy)





Baracutey Hotel - Holguín (Cuba)





King Hussein Cancer Center, KHCC - Amman (Jordan)



San Paolo Stadium - Naples (Italy)



BARCELONA

NOFER, S.L.

📍 Ctra. Laureà Miró, 385-387
08980 Sant Feliu de Llobregat
Barcelona - Spain

☎ +34 934 742 423

☎ +34 934 743 548

✉ nofer@nofer.com

🌐 www.nofer.com

MILANO

BOCCHISAFEWORK, S.R.L.

📍 Via Torino, 10

20060 Liscate

Milano - Italy

☎ +39 0249 796 141

✉ info-bocchi@nofer.com

MOSCOW

107133, Moscow

Shumkina str.26a str.4

Russian Federation

☎ +7 (495) 602-05-85

✉ info@nofer-aparici.ru

DUBAI

Office #1, Industrial Area,

Maliha Road, P.O. Box

4316, Sharjah, UAE

☎ +971 65467420

✉ info@mena-gate.com



NOFER®



DECOSAN

BOCCHI SafeWORK

agetar, s.a.