

GENERAL PRESENTATION

MADAS[®]

Safety, filtration and regulation devices for:

GAS - BIOGAS - AIR - OIL - HEAVY OIL

Madas was founded in 1974 and started its run with the production of gas devices. Thanks to the tenacity and competency of the family management and the work team, Madas is today recognized worldwide as one of the major brands in the gas distribution and industrial market.

Madas production:

- Gas pressure regulators;
- Gas safety automatic solenoid valves;
- Gas manually reset N.C. and N.O. solenoid valves;
- Gas filters;
- Gas OPSO and UPSO shut-off valves;
- Gas relief valves;
- Heavy oil self-cleaning filters and other devices for gas and oil appliances.

Around 140 direct employees and well trained worldwide distributors contribute to the company's increase year by year.

The 2021 turnover: 21 Mil. Euro

Madas is working with almost all the countries in the world for the following markets:

- Heating
- Process Industry Systems
- Gas engines
- Gas distribution

The continuous research together with even more performing and competitive products allowed Madas to support well experienced and professional customers.

The Company Quality system is UNI EN ISO 9001: 2015

MADAS has an internal professional laboratory, recognized by IMQ to certify our products according the tests required by the following European rules:

- EN 88-1

Pressure regulators and associated safety devices for gas appliances - Part 1: Pressure regulators for inlet pressures up to and including 50 kPa (500 mbar);

- EN 88-2

Pressure regulators and associated safety devices for gas appliances - Part 2: Pressure regulators for inlet pressures over 50 kPa (500 mbar) till 5 bar;

- EN 161

Automatic shut-off valves for gas burners and gas appliances;

- EN 126

Multifunctional controls for gas burning appliances;

- EN 1643

Safety and control devices for gas burners and gas burning appliances - Valve proving systems for automatic shut-off valves.

Beside the above mentioned rules, Madas refers to the following Rules and Directives:

- EN 334

Gas pressure regulators for inlet pressures up to 100 bar;

- Regulation (EU) 2016/426

Appliances burning gaseous fuels;

- PED Directive 2014/68/EU

Pressure Equipment Directive;

- ATEX Directive 2014/34/EU

Harmonisation of the laws of the Member States relating to equipment and protective systems intended for use in potentially explosive atmospheres (recast).

MADAS is also certified for the distribution to the below listed Countries:

- **EAC** (Russian Certificates);
- **TSE** (Turkey);
- **UKRSEPR** (Ukraine);
- **GOSPROMNADZOR** (Belarus);
- **NEPSI ATEX** (China).

Madas' s laboratory is recognized by IMQ and since 1995 the products are tested in the lab. Madas works every day for a continuous production range development according to the market's demand.

New technology equipment are used for the products 's tests and at different temperatures (-40°C / + 180°C) by means of a professional thermostatic room.



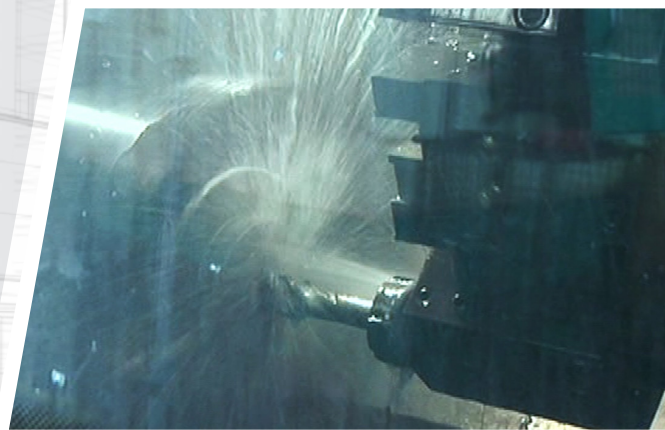
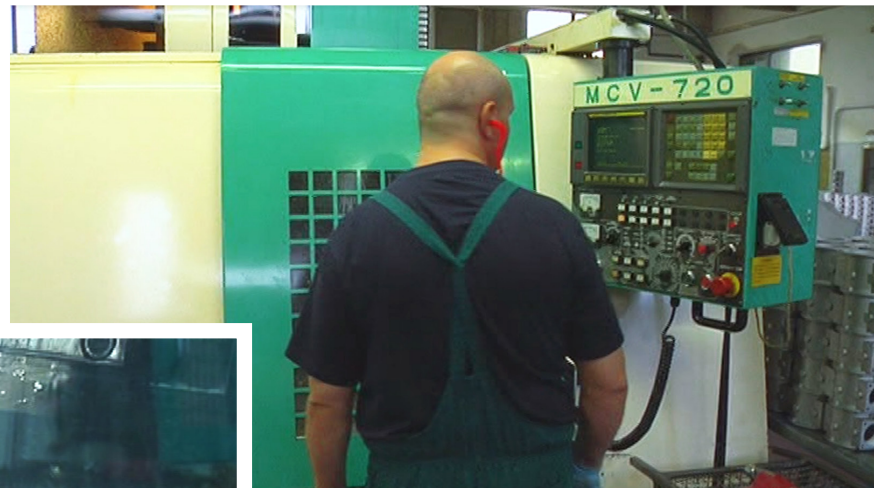
- Thermostatic room -



MADAS[®]

PRODUCTION

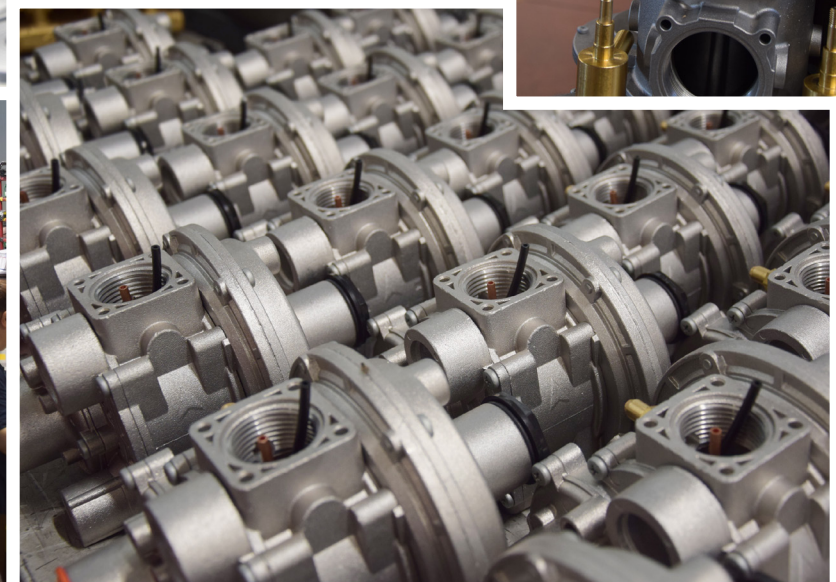
Processing of raw parts



MADAS[®]

PRODUCTION

Production lines divided into dedicated areas for medium and large product' s families.
Semi-automatic lines are used for small-sized products.

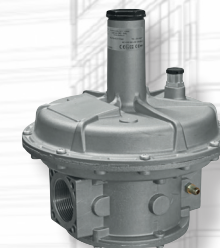
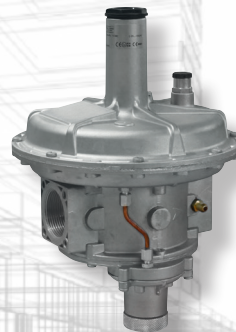
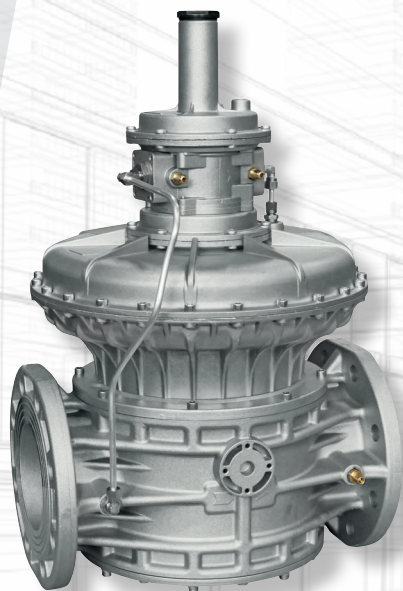


MADAS[®]

PRODUCTS

Gas pressure regulators

- Connections: DN 15 ÷ DN 150
- P.max: 0.5 - 1 - 2 - 5 bar

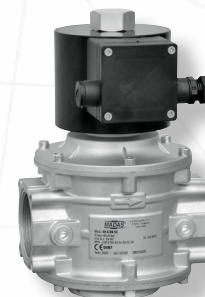
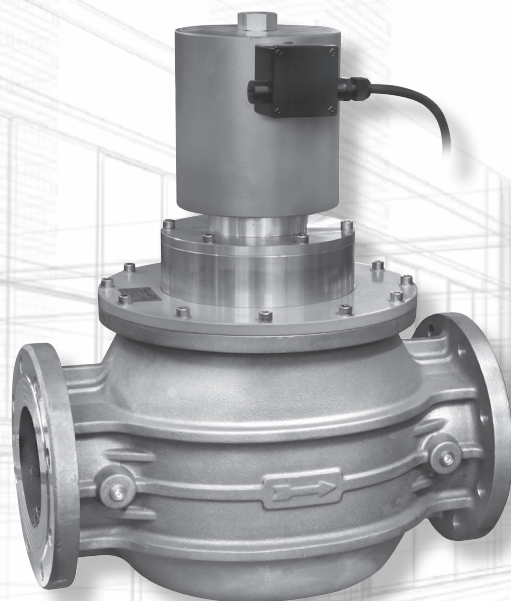


MADAS[®]

PRODUCTS

Gas safety automatic solenoid valves

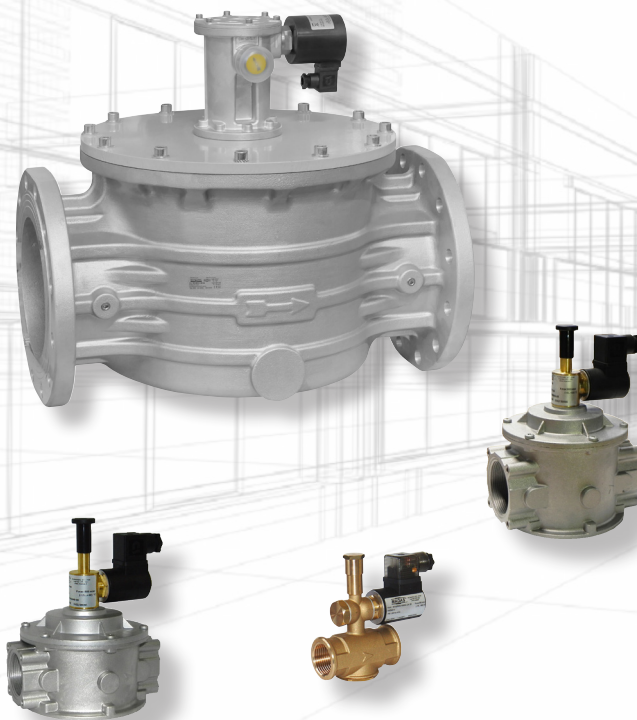
- Connections: DN 10 ÷ DN 300
- P.max: 0.2 - 0.36 - 0.5 - 1 - 3 - 6 bar



Gas manual reset solenoid valves

- P.max: 0.5 - 6 bar
- Connections: DN 15 ÷ DN 300

Normally Open



Normally Closed



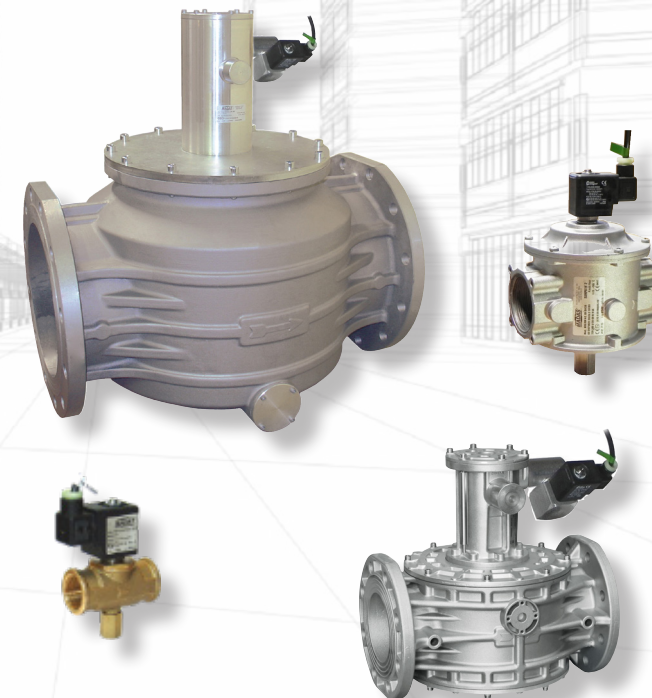
Gas manual reset solenoid valves

- P.max: 0.5 - 6 bar
- Connections: DN 15 ÷ DN 300
- ATEX Zone 1-21-2-22

Normally Open EEX

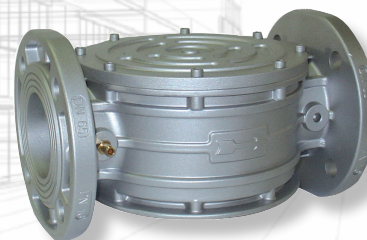
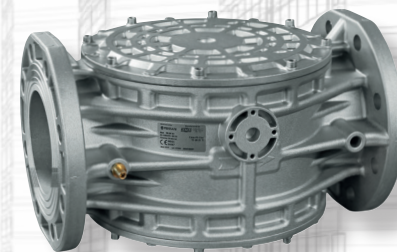
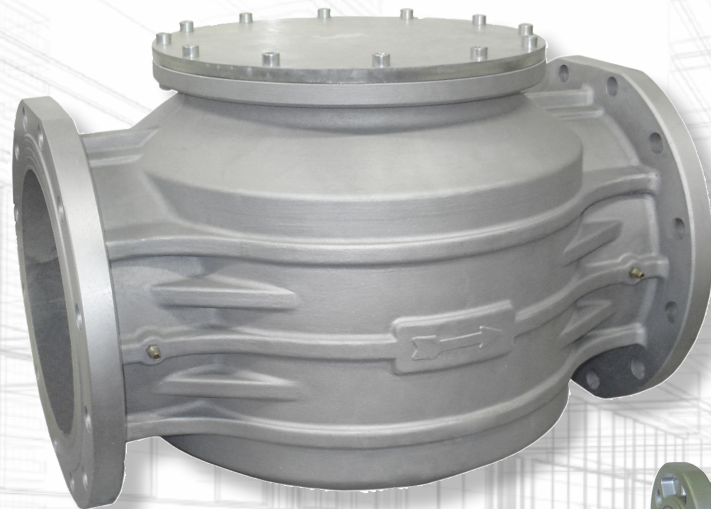


Normally Closed EEX



Gas filters

- P.max: 2 - 6 bar
- Connections: DN 15 ÷ DN 300

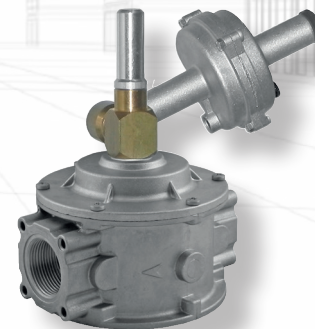
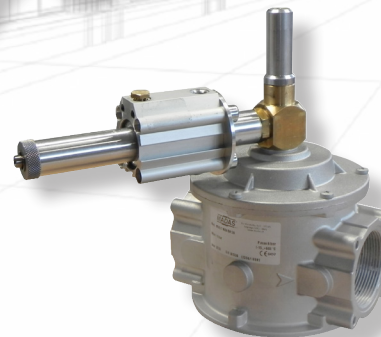
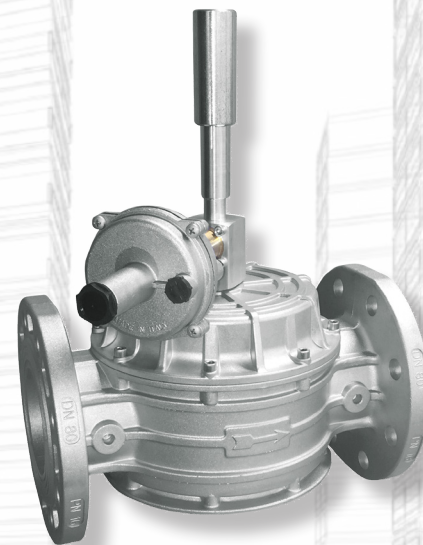
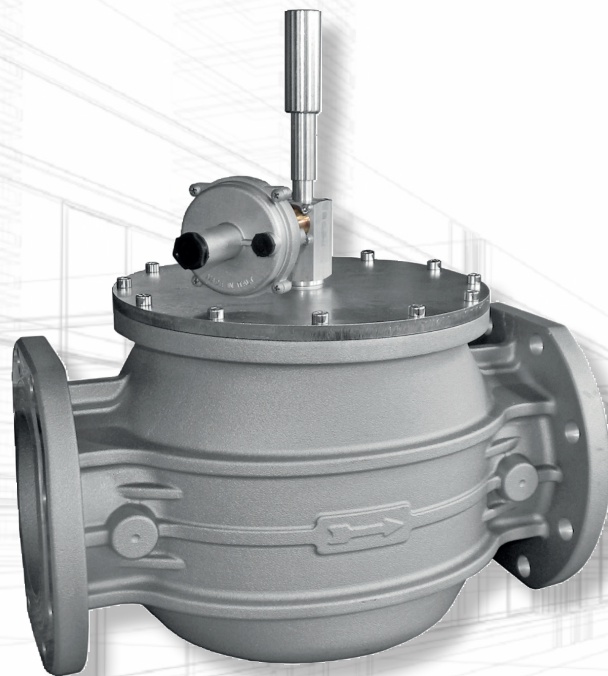


MADAS[®]

PRODUCTS

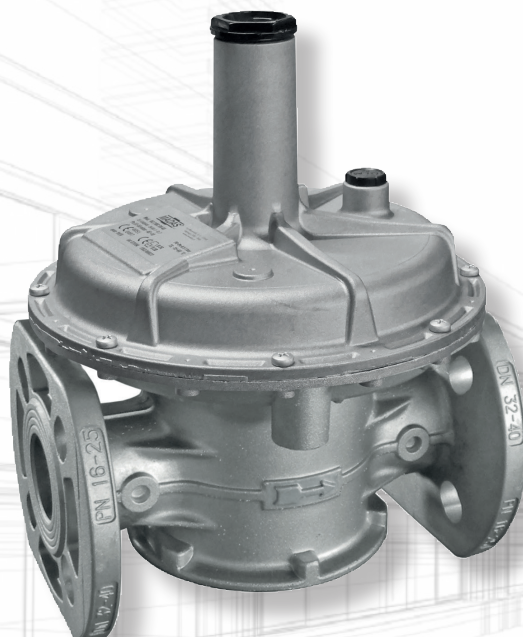
Gas OPSO and UPSO shut-off valves

- P.max: 1 - 6 bar
- Connections: DN 20 ÷ DN 150



Gas relief valves

- P.max: 1 ÷ 6 bar
- Connections: DN 15 ÷ DN 50

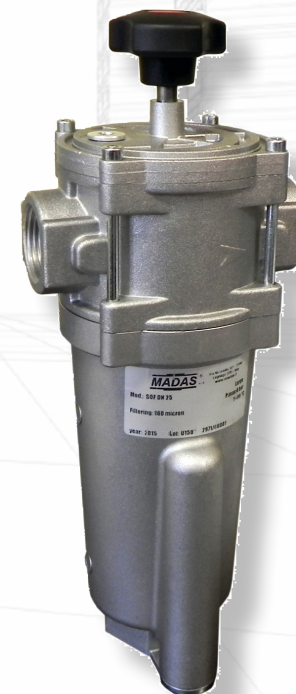


MADAS[®]

PRODUCTS

Heavy oil self-cleaning filters

- P.max: 4 - 15 bar
- Connections: DN 25 ÷ DN 50

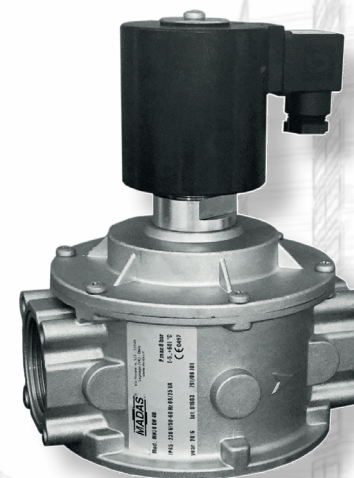


MADAS[®]

PRODUCTS

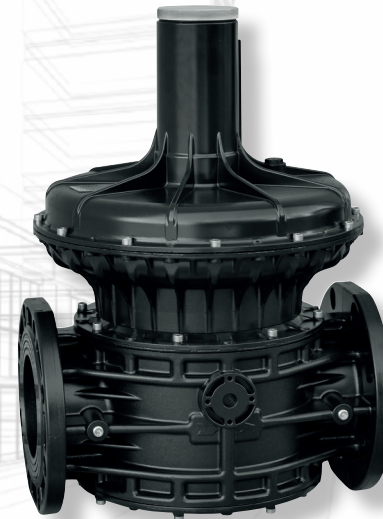
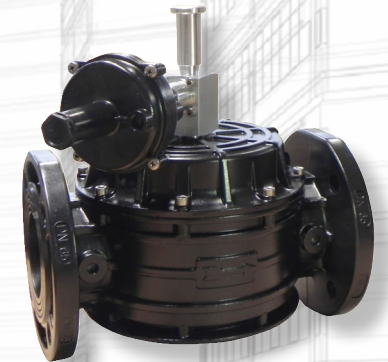
Oil and heavy oil solenoid valves

- P.max: 4 - 8 bar
- Connections: DN 10 ÷ DN 50



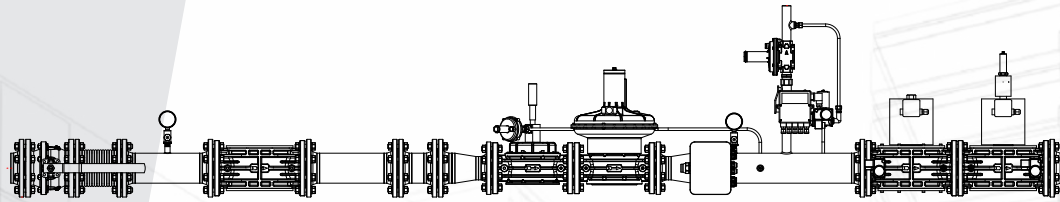
MADAS[®]

BIOGAS PRODUCTS

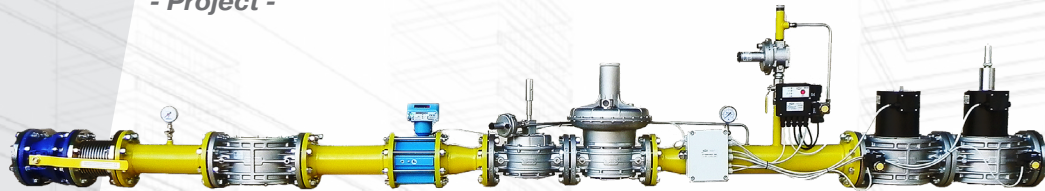


MADAS[®]

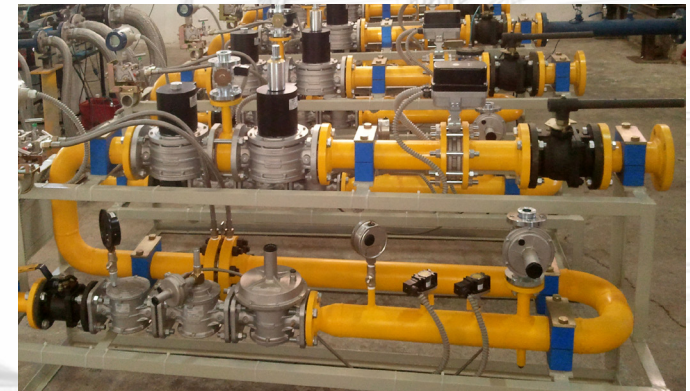
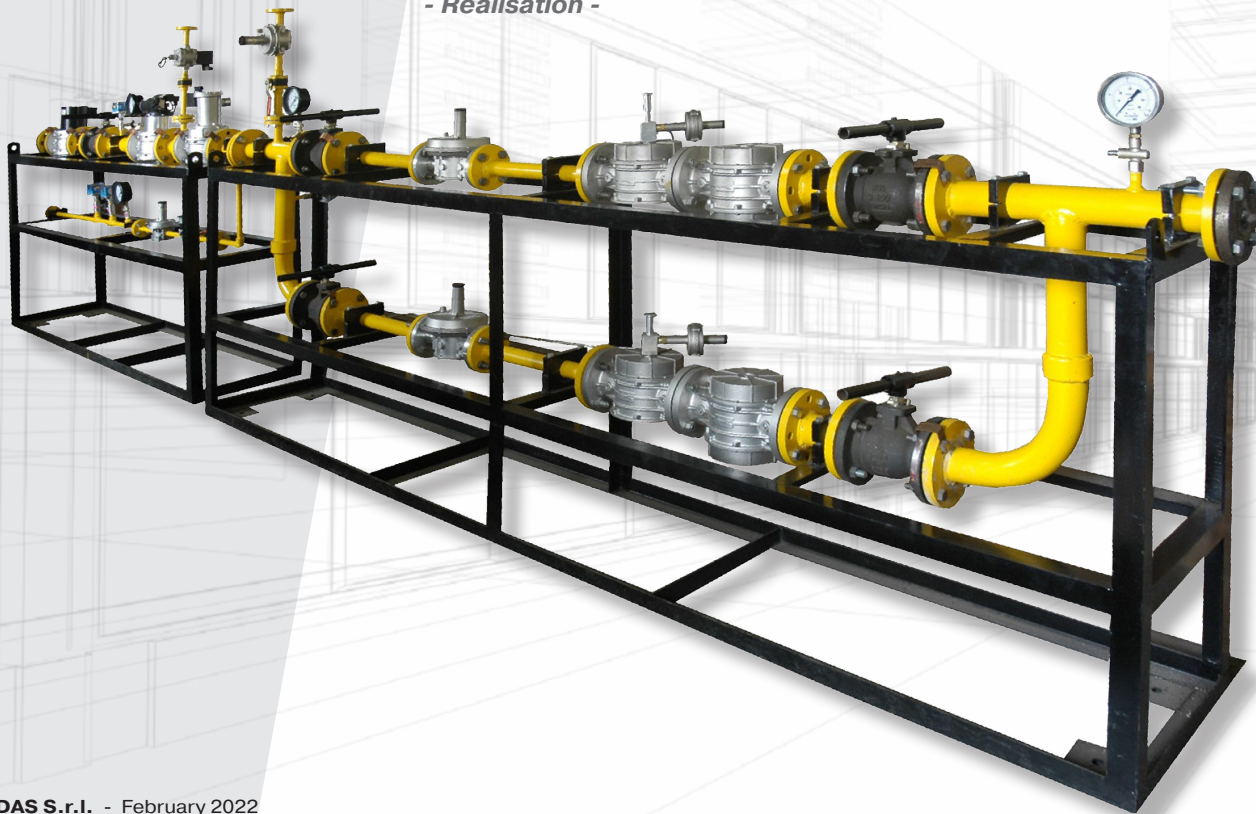
GAS TRAINS



- Project -



- Realisation -



A huge warehouse storing all the necessary parts for the production and spare parts.



The packing is well done according the shipping mode (truck / air or sea) and the customer's specifications.



The logo for MADAS, featuring the word "MADAS" in a bold, red, sans-serif font. The letters are set against a black background that has a horizontal bar above and below the text, creating a stylized, blocky appearance. A registered trademark symbol (®) is located to the upper right of the text.

MADAS[®]

CONTACT

MADAS S.r.l.

Registered office: Via V. Moratello, 5/6/7 - 37045 Z.A.I. Legnago (VR) Italy

Local unit: Via M. Hack, 1/3/5 - 37045 Z.A.I. Legnago (VR) Italy

Tel. +39 0442/23289

<http://www.madas.it> - e-mail: info@madras.it