



INDUSTRY-WIDE PROPELLER SHAFTS

A RELIABLE PARTNER FOR HEAVY-DUTY
TRUCKS WORLDWIDE



www.ddmcompany.kr

What Sets Us Apart From the Competition

Product Differentiation

We offer products and services that are more durable and higher quality than any other competitor in the aftermarket.

We define quality criteria are the most important things for our product goals.

Accumulated Technologies

For almost five decades, we have consistently built our own technologies and technical expertise in the commercial vehicle industry.

This is one of our strengths and attributes of a top-notch manufacturer.

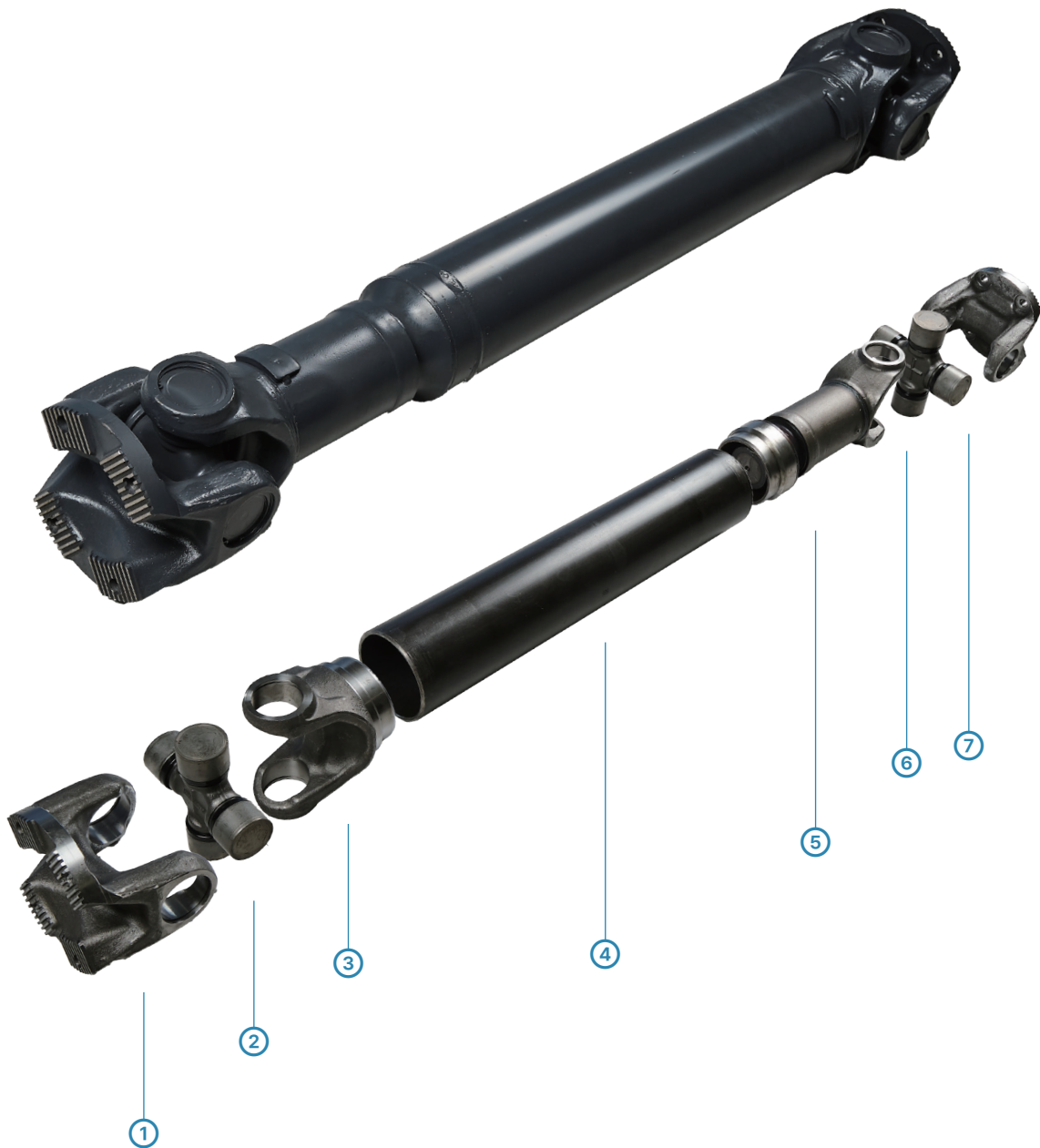
Commercial Vehicle MRO

We provide you with solutions such as Maintenance, Repair, and Overhaul that encompasses the upkeep, repairs, and operational needs to keep commercial vehicles safe and efficient.



PROPELLER SHAFT DIAGRAM

DDM produces a wide range of propeller shafts with the brand we own. We have quality assurance and experienced welding skills just name a few. We take pride in our consistent quality, and deliver great solutions compared to the genuine products and services.



① U-Joint

③ Center Bearing

⑤ End Yoke

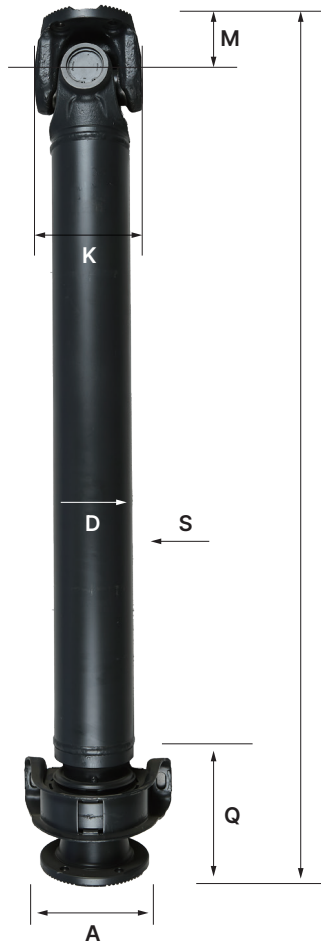
⑦ Tube

② Tube Yoke

④ Midship Shaft

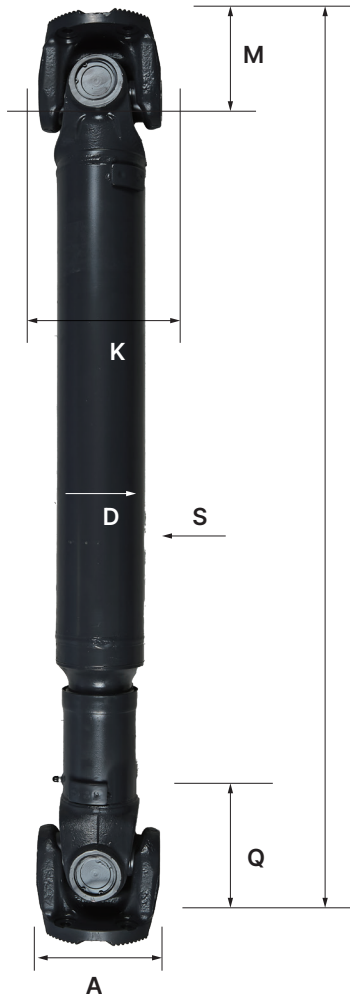
⑥ Tube Yoke

PRODUCT DESCRIPTIONS - COUPLING SHAFTS



Specifications	DDM-Propeller Shaft	
	DDM No. 1.1101	DDM No. 3.3318
UJ size	57*152	59*167.7
M (mm)	160	160
Q (mm)	110	110
K (mm)	238	238
A (mm)	180	180
S (T)	5.2+	6.1+
D (mm)	120	130

PRODUCT DESCRIPTIONS - MAIN SHAFTS



Specifications
UJ size
M (mm)
K (mm)
A (mm)
S (T)
D (mm)

DDM-Propeller Shaft	
DDM No. 1.1102	DDM No. 3.3312
57*152	59*167.7
160	160
222	237
238	238
5.2+	6.1+
120	130

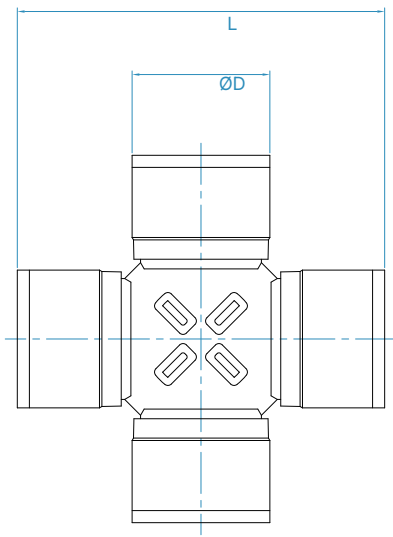
PRODUCT DESCRIPTIONS - INTERMEDIATE SHAFTS



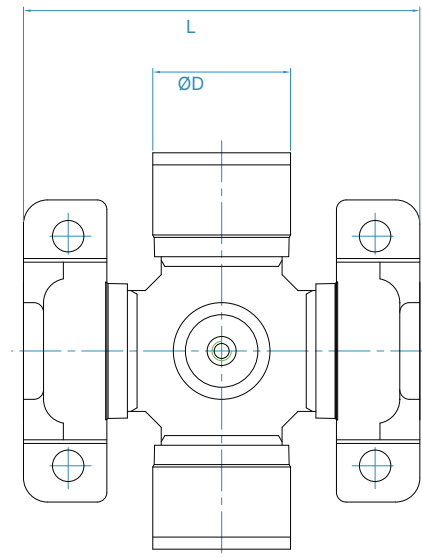
Specifications
UJ size
K (mm)
LZ (mm)
S (T)
D (mm)

DDM-Propeller Shaft	
DDM No. 2.2105	DDM No. 2.2398
48*161	57*164
170-	175
720, 740, 780	600
7-	7-
92-	92-

PRODUCT DESCRIPTIONS - UNIVERSAL JOINTS



TIP/TYPE A



TIP/TYPE B

Type	D	L	Remarks
A	30	106.2	Lubricated / Service Free
A	47.6	135.2	Lubricated / Service Free
B	48	161	Lubricated
A	52	133	Lubricated / Service Free
A	52	147.2	Lubricated / Service Free
A	53	135	Lubricated / Service Free
A	57	144	Lubricated / Service Free
A	57	152	Lubricated / Service Free
B	57	164	Lubricated
A	59	167.7	Lubricated / Service Free
A	65	190	Lubricated



We define ourselves through a combination of :

Driving Force	Propeller Shafts for Heavy-duty Vehicles
Durability	Building Robustness and Safety
Manufacturing	Sharing Technical Expertise and Creating Solutions

36, Chukhang-daero 212beon-gil, Jung-gu, Incheon, Republic of Korea

Tel : +82-32-832-1198 | E-mail : ddm351000@gmail.com

www.ddmcompany.co.kr