



# MAGNET

Our Magnet rail system.

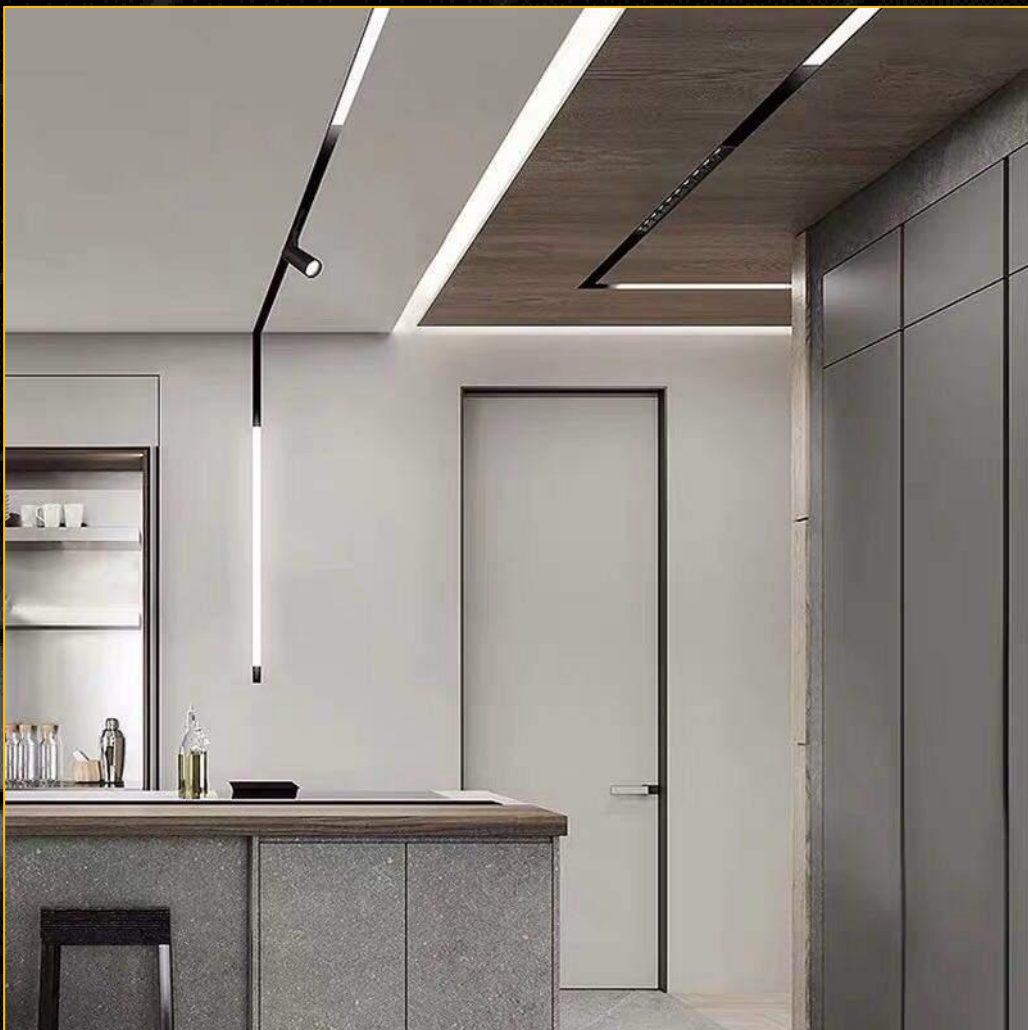
The Magnet Serie is Ultimate slim, perfect style Innovative slim linear connecting system, with a perfect combination between track and LED fixture.

Not only emphasizing on characteristics and rapid installation of the modules, it also creates simple and clean look.

Our

Slim designed spot, panel and downlight modules are available for lighting office and home situations

This is a perfect solution for lighting.





PRO series

# MAGNET

Our Magnet rail system.

48-volt Rail system / Dali / 0-10 Volt / Zigbee



The ART of Lighting



PRO series

# MAGNET

Our Magnet rail system.

Different fixtures and lamp, different design and custom products possible.

Surface or Recessed.

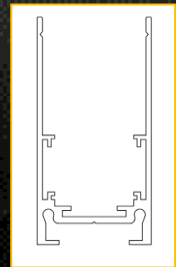







The ART of Lighting



# RAIL SURFACE

Surface rail system



Model	Size	Info	Length	Pic
LWS20A1M	W26mm H53mm	4Wires 0.6mm copper 1.5 thickness	1 meter	
LWS20A2M	W26mm H53mm	4Wires 0.6mm copper 1.5 thickness	2 meter	
LWS20A3M	W26mm H53mm	4Wires 0.6mm copper 1.5 thickness	3 meter	
LWHCCS20A	L100mm W100mm	Horizontal Corner connector for LWS20A with 2pcs Fixed pins		
LWVCCS20A	L100mm W100mm	Vertical Corner connector for LWS20A with 2pcs Fixed pins		



# RAIL COLORS

Surface rail system in Bronze / Champaign / Gold



Model	Size	Info	Length	Pic
LWS20A2M.BR	W26mm H53mm	4Wires 0.6mm copper 1.5 thickness Bronze	2 meter	
LWS20A3M.BR	W26mm H53mm	4Wires 0.6mm copper 1.5 thickness Bronze	3 meter	
LWS20A2M.CH	W26mm H53mm	4Wires 0.6mm copper 1.5 thickness Champaign	2 meter	
LWS20A3M.CH	W26mm H53mm	4Wires 0.6mm copper 1.5 thickness Champaign	3 meter	
LWS20A2M.G	W26mm H53mm	4Wires 0.6mm copper 1.5 thickness Gold	2 meter	



PRO series

# RAIL COLORS

Surface rail system in Bronze / Champaign / Gold






The ART of Lighting



# RAIL SURFACE

Surface rail system

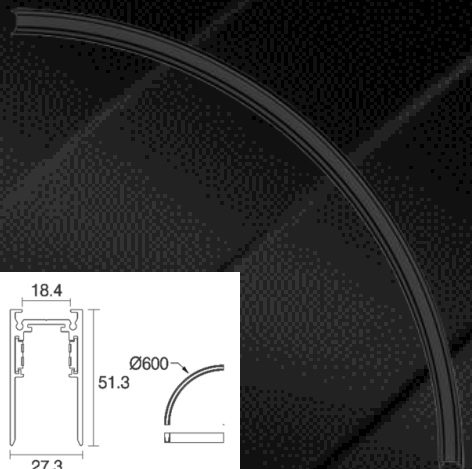
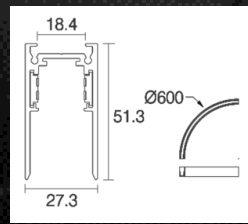


Model	Size	Info	Length	PIC
LWSBS20A	L50mm W22mm	Surface bracket using for Fixing the surface track rail		
LWSWS20A		Suspending Wires 2meter wires Using for R20 Track rail	2 meters	
LWFPS20A		Fixing the pole when you use the rebar to install the track rail		



# RAIL BEND

Surface rail system

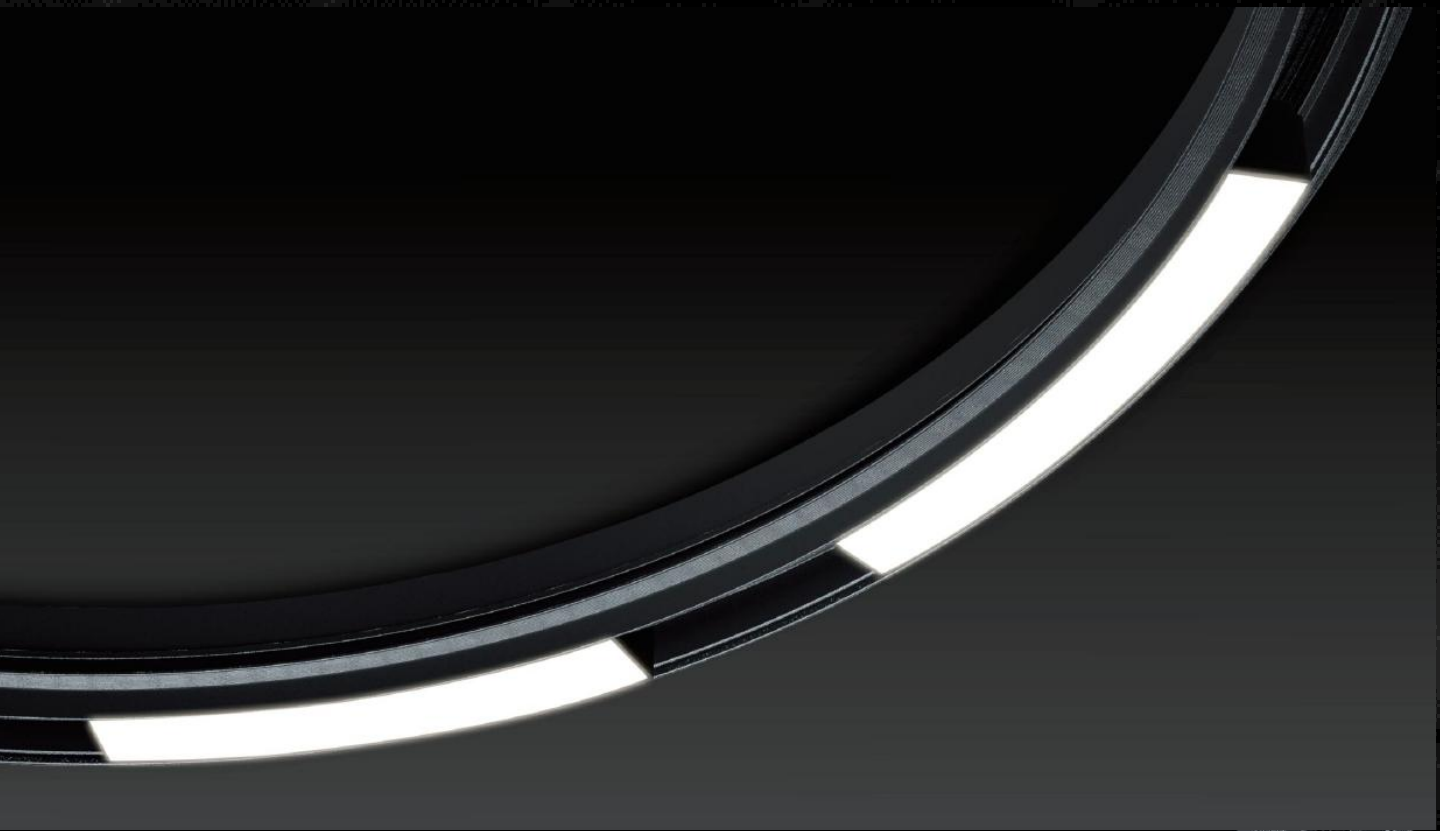


Model	Size	Info	Length	PIC
LW.MAG.R20.600cm	27mm x 51,3mm 600mm	Surface Curved track rail		
LW.MAG.R20.800mm	27mm x 51,3mm 800mm	Surface Curved track rail		



PRO series

# RAIL BEND

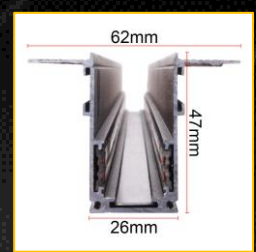


The ART of Lighting



# RAIL RECESSED

Recessed rail system

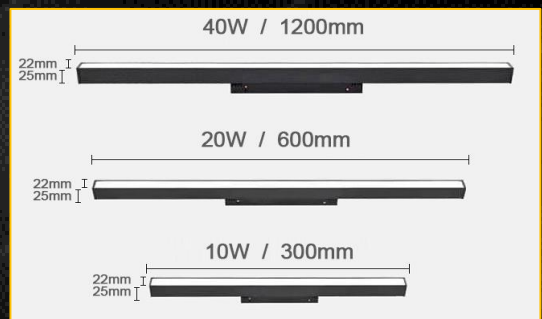


Model	Size	Info	Length	Pic
LW.MAG.R20A1M	W62mm H47mm	4Wires 0.6mm copper 2 mm thickness	1 meter	
LW.MAG.R20A2M	W62mm H47mm	4Wires 0.6mm copper 2 mm thickness	2 meter	
LW.MAG.R20A3M	W62mm H47mm	4Wires 0.6mm copper 2 mm thickness	3 meter	
LW.MAG.HCCR20A	L100mm W100mm	Horizontal Corner connector for LWS20A with 2pcs Fixed pins		
LW.MAG.VCCR20B	L100mm W100mm	Vertical Corner connector for LWS20A with 2pcs Fixed pins		



# MITO FLOOD

LWL20.FGxx Series are rail lights with 120 degrees light and available in 30 / 60 / 120 cm. 10 / 20 / 30 watt and 3000 and 4000k



Model	Size	Power LED / Color	CRI	PIC
LWL20.FG10W.WW	L300mm W22mm H25mm	10W DC48V 3000K	70~80LM/W RA≥90 120°	
LWL20.FG10W.DW	L300mm W22mm H25mm	10W DC48V 4000K	70~80LM/W RA≥90 120°	
LWL20.FG20W.WW	L600mm W22mm H25mm	20W DC48V 3000K	70~80LM/W RA≥90 120°	
LWL20.FG20W.DW	L600mm W22mm H25mm	20W DC48V 4000K	70~80LM/W RA≥90 120°	
LWL20.FG30W.WW	L1200mm W22mm H25mm	40W DC48V 3000K	70~80LM/W RA≥90 120°	
LWL20.FG30W.DW	L1200mm W22mm H25mm	40W DC48V 4000K	70~80LM/W RA≥90 120°	



# MITO BEAM

LWL20.GSxx Series are rail lights with 24 degrees light and available in 5 / 11 / 22 / 33 cm 4 / 6 / 12 / 18 watt and 3000 and 4000k



Model	Size	Power LED / Color	CRI	PIC
LWL20.GS.4W.WW	L41mm W22mm H25mm	6W DC48V 3000K	70~80LM/W RA≥90 24°	
LWL20.GS.4W.DW	L41mm W22mm H25mm	6W DC48V 4000K	70~80LM/W RA≥90 24°	
LWL20.GS.6W.WW	L110mm W22mm H25mm	6W DC48V 3000K	70~80LM/W RA≥90 24°	
LWL20.GS.6W.DW	L110mm W22mm H25mm	6W DC48V 4000K	70~80LM/W RA≥90 24°	
LWL20.GS.12W.WW	L220mm W22mm H25mm	12W DC48V 3000K	70~80LM/W RA≥90 24°	
LWL20.GS.12W.DW	L220mm W22mm H25mm	12W DC48V 4000K	70~80LM/W RA≥90 24°	



# MITO BEAM

LWL20.GSxx Series are rail lights with 24 degrees light and available in 5 / 11 / 22 / 33 cm 4 / 6 / 12 / 18 watt and 3000 and 4000k



Model	Size	Power LED / Color	CRI	PIC
LWL20.GS.18W.WW	L330mm W22mm H25mm	18W DC48V 3000K	70~80LM/W RA≥90 24°	
LWL20.GS.18W.DW	L330mm W22mm H25mm	18W DC48V 4000K	70~80LM/W RA≥90 24°	



PRO series

# MITO BEAM

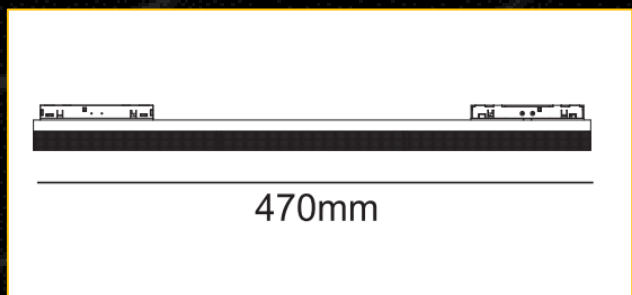


The ART of Lighting



# HIKARI no MICHI

LWL20.AS028SMD1.xx Series are rail lights with 45 degrees light and available in 47 cm 15 watt and 2700 / 3000 and 4000k



Model	Size	Power LED / Color	CRI	PIC
LWL20.AS028SMD1.3k	L470mm W32mm H25mm	15W DC48V 3000K	70~80LM/W RA≥90 45°	
LWL20.AS028SMD1.4k	L470mm W32mm H25mm	15W DC48V 4000K	70~80LM/W RA≥90 45°	



PRO series

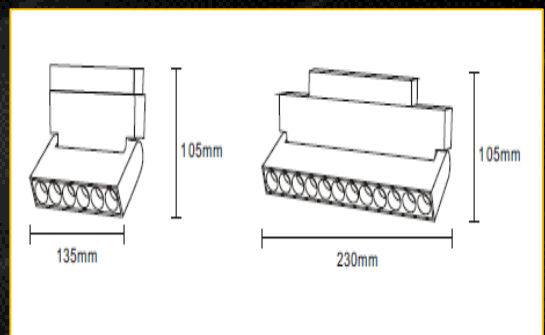
# HIKARI no MICHI



The ART of Lighting

# NIKKO BEAM

LWL20.SDxx Series are rail lights with 24 degrees light and available in 11 / 22 / 33 cm  
6 / 12 / 18 watt and 3000 and 4000k



Model	Size	Power LED / Color	CRI	PIC
LWL20.SD.6W.WW	L220mm W22mm H25mm	6W DC48V 3000K	70~80LM/W RA≥90 24°	
LWL20.SD.6W.DW	L220mm W22mm H25mm	6W DC48V 4000K	70~80LM/W RA≥90 24°	
LWL20.SD.12W.WW	L220mm W22mm H25mm	12W DC48V 3000K	70~80LM/W RA≥90 24°	
LWL20.SD.12W.DW	L220mm W22mm H25mm	12W DC48V 4000K	70~80LM/W RA≥90 24°	
LWL20.SD.18W.WW	L330mm W22mm H25mm	18W DC48V 3000K	70~80LM/W RA≥90 24°	
LWL20.SD.18W.DW	L330mm W22mm H25mm	18W DC48V 4000K	70~80LM/W RA≥90 24°	

PRO series

# NIKKO RO BEAM



The ART of Lighting

# NIKKO PLANTS

CURUE

## Special Lighting for Plant Growth

Our cutting-edge lighting solution replicates natural sunlight, providing the essential spectrum of light required for healthy plant growth



Model	Size	Power LED / Color	CRI	PIC
LW20.PLNT030.4k.RE	L220mm W22mm H25mm	6W DC48V 4000K RED 660nm	70~80LM/W RA≥90 24°	

# NIKKO PLANTS

CURVE

## Special Lighting for Plant Growth

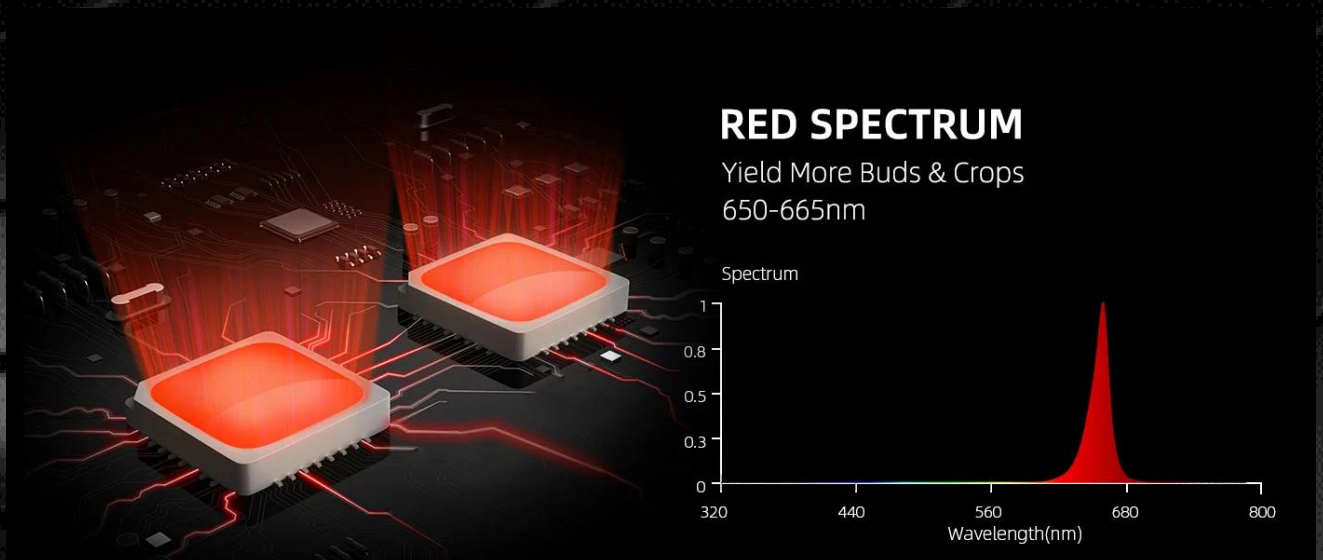
Our cutting-edge lighting solution replicates natural sunlight, providing the essential spectrum of light required for healthy plant growth.

This technology ensures that your indoor plants receive the necessary energy to flourish, no matter their location within your home or office.

**Full Spectrum LED:** Mimics the natural sunlight essential for photosynthesis, promoting healthy plant growth.

**Energy Efficient:** Uses less power while delivering optimal light for your plants.

**Adjustable Angles:** Allows you to direct light precisely where your plants need it, ensuring even light distribution.



# NIKKO PLANTS

CURVE

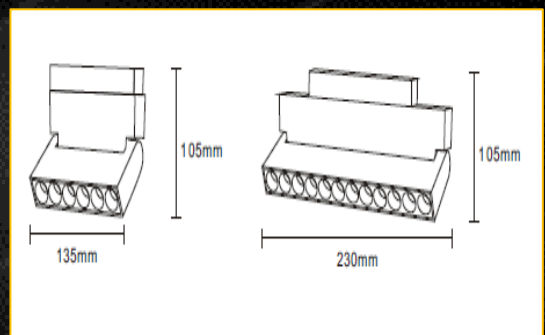
**White LED (4000K):** Provides the necessary spectrum for healthy, vibrant plant growth.

**RED LED (650-665nm):** Perfect for stimulating blooming and fruit production by mimicking the natural conditions plants need during their flowering phase.



# NIKKO RO BEAM

LWL20.CXYZDGSxx Series are rail lights with 24 degrees light and available in 11 / 22 / 33 cm  
6 / 12 / 18 watt and 3000 and 4000k

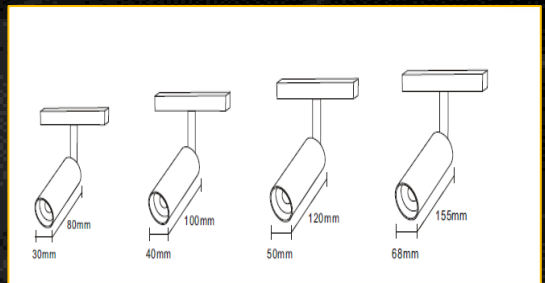


Model	Size	Power LED / Color	CRI	PIC
LWL20.CXYZDGS06.3K	L113mm W22mm H25mm	6W DC48V 3000K	70~80LM/W RA≥90 24°	
LWL20.CXYZDGS06.4K	L113mm W22mm H25mm	6W DC48V 4000K	70~80LM/W RA≥90 24°	
LWL20.CXYZDGS12.3K	L226mm W22mm H25mm	12W DC48V 3000K	70~80LM/W RA≥90 24°	
LWL20.CXYZDGS12.4K	L226mm W22mm H25mm	12W DC48V 4000K	70~80LM/W RA≥90 24°	
LWL20.CXYZDGS18.3K	L330mm W22mm H25mm	18W DC48V 3000K	70~80LM/W RA≥90 24°	
LWL20.CXYZDGS18.4K	L330mm W22mm H25mm	18W DC48V 4000K	70~80LM/W RA≥90 24°	



# OGI SPOT

LWL20.SDxx Series are rail lights with 24 degrees light and available in 30 - 68 mm diameter 6 / 10 / 15 / 30 watt and 3000 and 4000k

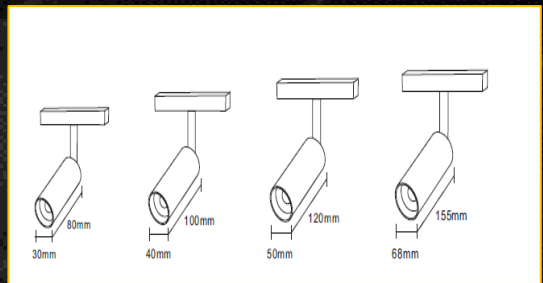



Model	Size	Power LED / Color	CRI	PIC
LWL20.GD.6W.WW	Φ30 L80mm	6W DC48V 3000K	70~80LM/W RA≥90 15°	
LWL20.GD.6W.DW	Φ30 L80mm	6W DC48V 4000K	70~80LM/W RA≥90 15°	
LWL20.GD.10W.WW	Φ40 L100mm	10W DC48V 3000K	70~80LM/W RA≥90 15°	
LWL20.GD.10W.DW	Φ40 L100mm	10W DC48V 4000K	70~80LM/W RA≥90 15°	
LWL20.GD.15W.WW	Φ50 L100mm	15W DC48V 3000K	70~80LM/W RA≥90 15°	
LWL20.GD.15W.DW	Φ50 L100mm	15W DC48V 4000K	70~80LM/W RA≥90 15°	



# OGI SPOT

LWL20.SDxx Series are rail lights with 24 degrees light and available in 30 - 68 mm diameter 6 / 10 / 15 / 30 watt and 3000 and 4000k

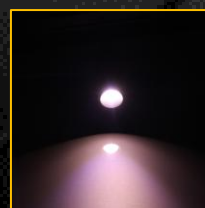
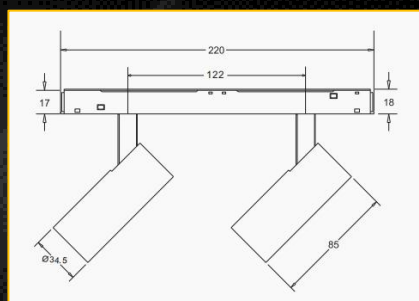


Model	Size	Power LED / Color	CRI	PIC
LWL20.GD.30W.WW	Φ68 L155mm	30W DC48V 3000K	70~80LM/W RA≥90 15°	
LWL20.GD.30W.DW	Φ68 L155mm	30W DC48V 4000K	70~80LM/W RA≥90 15°	



# OGI TWIN SPOT

LWL20.2220CA12W Series are rail lights with 24 degrees light and available in 30 - 68 mm diameter  
6 / 10 / 15 / 30 watt and 3000 and 4000k



Model	Size	Power LED / Color	CRI	PIC
LWL20.2220CA12W. 40.B.3K	Ø34.5mm L155mm	2 x 6 W DC48V 3000K	70~80LM/W RA≥90 15°	
LWL20.2220CA12W. 40.B.4K	Ø34.5mm L155mm	2 x 6 W DC48V 4000K	70~80LM/W RA≥90 15°	



PRO series

# OGI TWIN SPOT

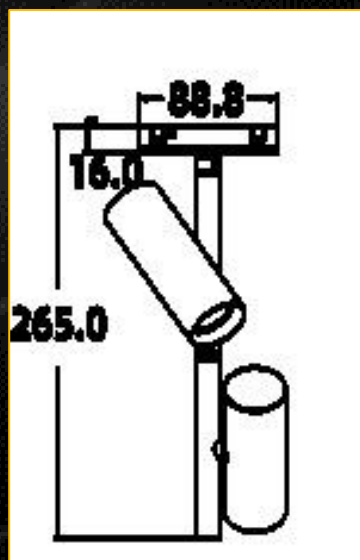


The ART of Lighting



# OGI TWIN AXIS SPOT

LWL20.SMS4020.27k Series are rail lights with 38 degrees light and available in 30 - 68 mm diameter 2 x 10 watt and 2700k / 3000k and 4000k



Model	Size	Power LED / Color	CRI	PIC
LWL20.SMS4020.27k	Φ34.5mm L265mm	2 x 10 W DC48V 2700K	70~80LM/W RA≥90 38°	
LWL20.SMS4020.3k	Φ34.5mm L265mm	2 x 10 W DC48V 3000K	70~80LM/W RA≥90 15°	





PRO series

# OGI TWIN AXIS SPOT



The ART of Lighting



# BETTY SPOT

LWL20.GDS10W.XX Series are rail lights with 24 degrees light and available in  $\Phi 55$  mm diameter 10 watt and 3000 and 4000k

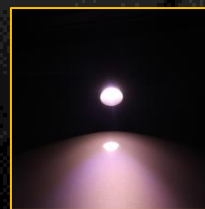
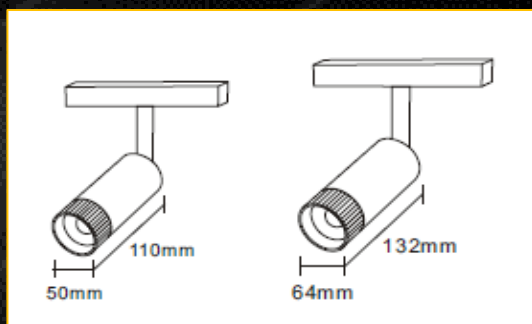


Model	Size	Power LED / Color	CRI	PIC
LWL20.GDS10W.WW	$\Phi 55$ mm L70mm	10W DC48V 3000K	70~80LM/W RA $\geq$ 90 24°	
LWL20.GDS10W.DW	$\Phi 55$ mm L70mm	10W DC48V 4000K	70~80LM/W RA $\geq$ 90 24°	



# OGI ZOOM

LWL20.SDxx Series are rail lights with zoom 18-60 degrees light and available in 50 / 64 mm diameter 8 / 15 watt and 3000 and 4000k

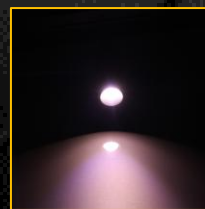
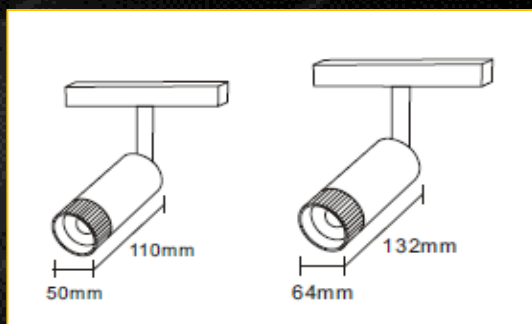


Model	Size	Power LED / Color	CRI	PIC
LWL20.GDZ.8W.WW	Φ50 L100mm	8W DC48V 3000K	70~80LM/W RA≥90 Zoomable 15~38°	
LWL20.GDZ.8W.DW	Φ50 L100mm	8W DC48V 4000K	70~80LM/W RA≥90 Zoomable 15~38°	
LWL20.GDZ.15W.WW	Φ68 L132mm	15W DC48V 3000K	70~80LM/W RA≥90 Zoomable 15~60°	
LWL20.GDZ.15W.DW	Φ68 L132mm	15W DC48V 4000K	70~80LM/W RA≥90 Zoomable 15~60°	



# OGI ZOOM

LWL20.SDxx Series are rail lights with zoom 18-60 degrees light and available in 50 / 64 mm diameter 8 / 15 watt and 3000 and 4000k



Model	Size	Power LED / Color	CRI	PIC
LWL20.GDZ.8W.WW	Φ50 L100mm	8W DC48V 3000K	70~80LM/W RA≥90 Zoomable 15~38°	
LWL20.GDZ.8W.DW	Φ50 L100mm	8W DC48V 4000K	70~80LM/W RA≥90 Zoomable 15~38°	
LWL20.GDZ.15W.WW	Φ68 L132mm	15W DC48V 3000K	70~80LM/W RA≥90 Zoomable 15~60°	
LWL20.GDZ.15W.DW	Φ68 L132mm	15W DC48V 4000K	70~80LM/W RA≥90 Zoomable 15~60°	



# OGI LOGO

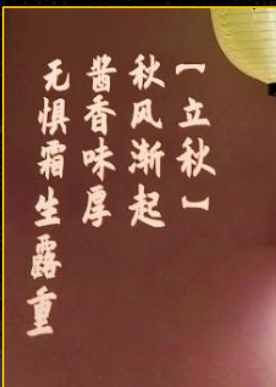
LW20.T0503Kxx Series are rail lights for logo or picture 15°-36° degrees light and available in 65 mm diameter 5 watt and 3000 and 4000k



Model	Size	Power LED / Color	CRI	PIC
LW20.T0503K.3K	Φ65mm L170mm	5W DC48V 3000K	70~80LM/W RA≥90 Zoomable 15~36°	
LW20.T0503K.4K	Φ65mm L170mm	5W DC48V 4000K	70~80LM/W RA≥90 Zoomable 15~36°	



# OGI LOGO





# OGI SHAPE

LW20.T0503Kxx Series are rail lights for painting or picture  
20° - 35° degrees light and available in 65 mm diameter  
10 watt and 3000 and 4000k



Model	Size	Power LED / Color	CRI	PIC
LWL20.0803L-3635.3K	Φ65mm L170mm	10W DC48V 3000K	70~80LM/W RA≥90 Zoomable Shapeable 20° - 35°	
LWL20.0803L-3635.4K	Φ65mm L170mm	10W DC48V 4000K	70~80LM/W RA≥90 Zoomable Shapeable 20° - 35°	



PRO series

# OGI SHAPE

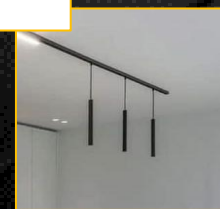
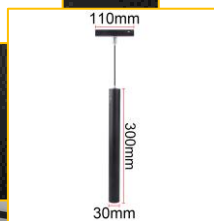


The ART of Lighting



# OGI DENPANT

LWL20.CCDxx Series are rail hanging lights  
Diameter  $\Phi$ 30mm - 300mm long  
6 / 10 watt and 3000 and 4000k



Model	Size	Power LED / Color	CRI	PIC
LWL20.GDZ.8W.WW	$\Phi$ 30 L300mm	8W DC48V 3000K	70~80LM/W RA $\geq$ 90 Zoomable 15~38°	
LWL20.GDZ.8W.DW	$\Phi$ 30 L300mm	8W DC48V 4000K	70~80LM/W RA $\geq$ 90 Zoomable 15~38°	
LWL20.GDZ.15W.WW	$\Phi$ 50 L300mm	15W DC48V 3000K	70~80LM/W RA $\geq$ 90 Zoomable 15~60°	
LWL20.GDZ.15W.DW	$\Phi$ 50 L300mm	15W DC48V 4000K	70~80LM/W RA $\geq$ 90 Zoomable 15~60°	



PRO series

# OGI DENPANT

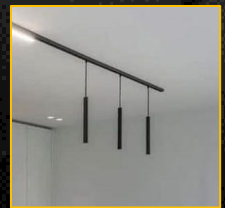
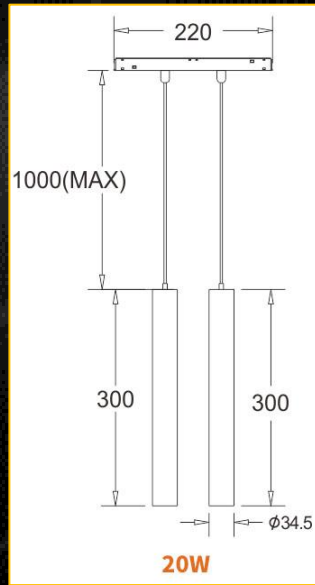
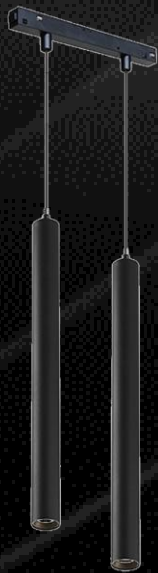


The ART of Lighting



# OGI TWIN DENPANT

LW2210CA.x Series are rail hanging lights  
Diameter  $\Phi 30\text{mm}$  - 300mm long  
2 x 10 watt and 3000 and 4000k



Model	Size	Power LED / Color	CRI	PIC
LW2210CA.40.B.3K	$\Phi 34,5$ L300mm	2 x 10 DC48V 3000K Black	70~80LM/W RA $\geq$ 90	
LW2210CA.40.B.4K	$\Phi 34,5$ L300mm	2 x 10 DC48V 4000K Black	70~80LM/W RA $\geq$ 90	



PRO series

# OGI TWIN DENPANT

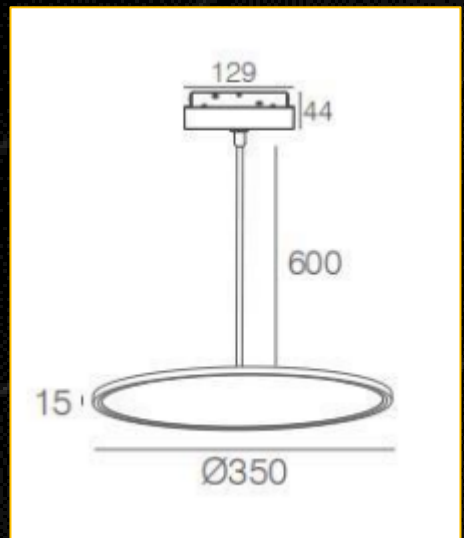
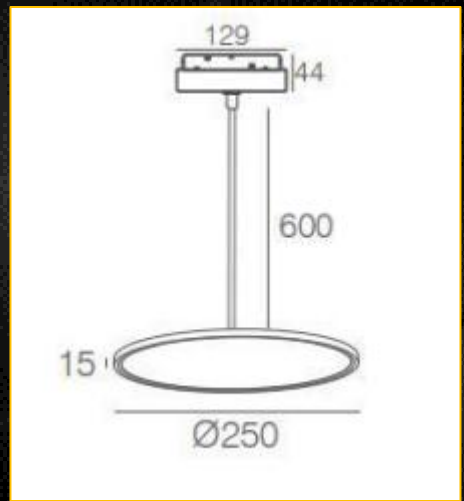
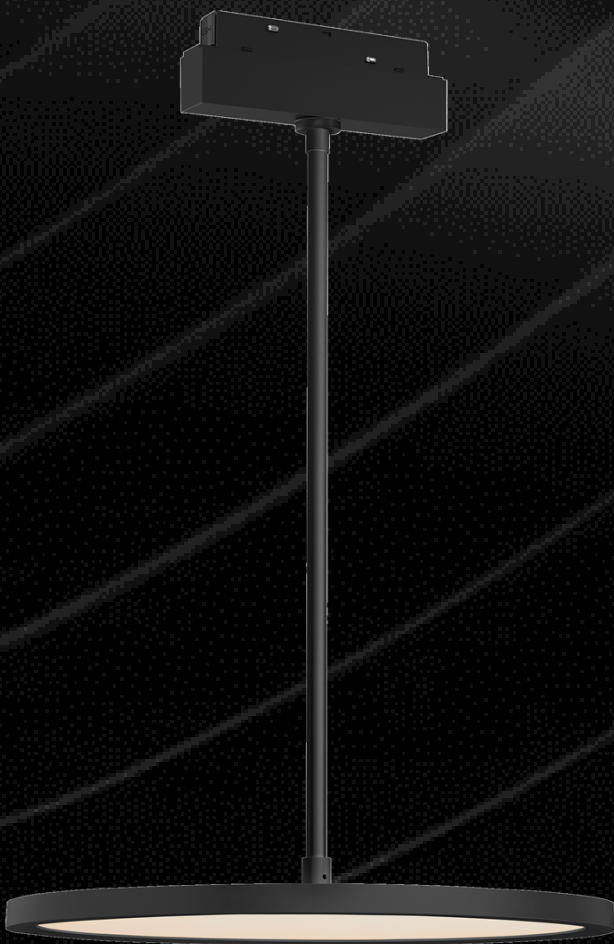


The ART of Lighting



# HIKARI DENPANT

LWL20.2280006.x.x Series are rail hanging lights  
Diameter  $\phi$ 250mm and  $\phi$ 350mm- 300mm long  
20 and 30 watt and 3000 and 4000k



Model	Size	Power LED / Color	CRI	PIC
LWL20.2280006.20WB .3K	$\phi$ 250mm L1500mm	20 Watt DC48V 3000K Black	70~80LM/W RA $\geq$ 90	
LWL20.2280006.30WB .3K	$\phi$ 350mm L1500mm	30 Watt DC48V 4000K Black	70~80LM/W RA $\geq$ 90	



PRO series

# HIKARI DENPANT

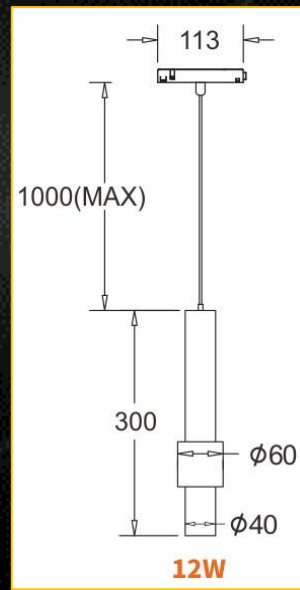


The ART of Lighting



# OGI DELUX DENPANT

LW2220CA.x Series are rail hanging lights  
Diameter  $\Phi$ 40 / 60mm - 300mm long  
1 x 12 watt and 3000 and 4000k



Model	Size	Power LED / Color	CRI	PIC
LWL20.2220CA.40.B.3K	$\Phi$ 40mm L300mm	12 Watt DC48V 3000K Black	70~80LM/W RA $\geq$ 90	
LWL20.2220CA.40.B.4K	$\Phi$ 40mm L300mm	12 Watt DC48V 4000K Black	70~80LM/W RA $\geq$ 90	
LWL20.2220CA.40.W.3K	$\Phi$ 40mm L300mm	12 Watt DC48V 3000K White	70~80LM/W RA $\geq$ 90	
LWL20.2220CA.40.W.4K	$\Phi$ 40mm L300mm	12 Watt DC48V 4000K White	70~80LM/W RA $\geq$ 90	



PRO series

# OGI DELUX DENPANT

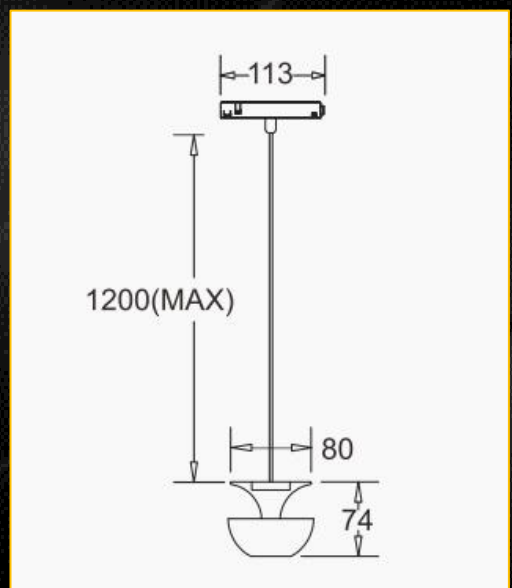


The ART of Lighting



# TROPICAL DENPANT

LW2216CA.x Series are rail hanging lights  
Diameter  $\Phi$ 80mm - 74mm long  
1 x 6 watt and 3000 and 4000k

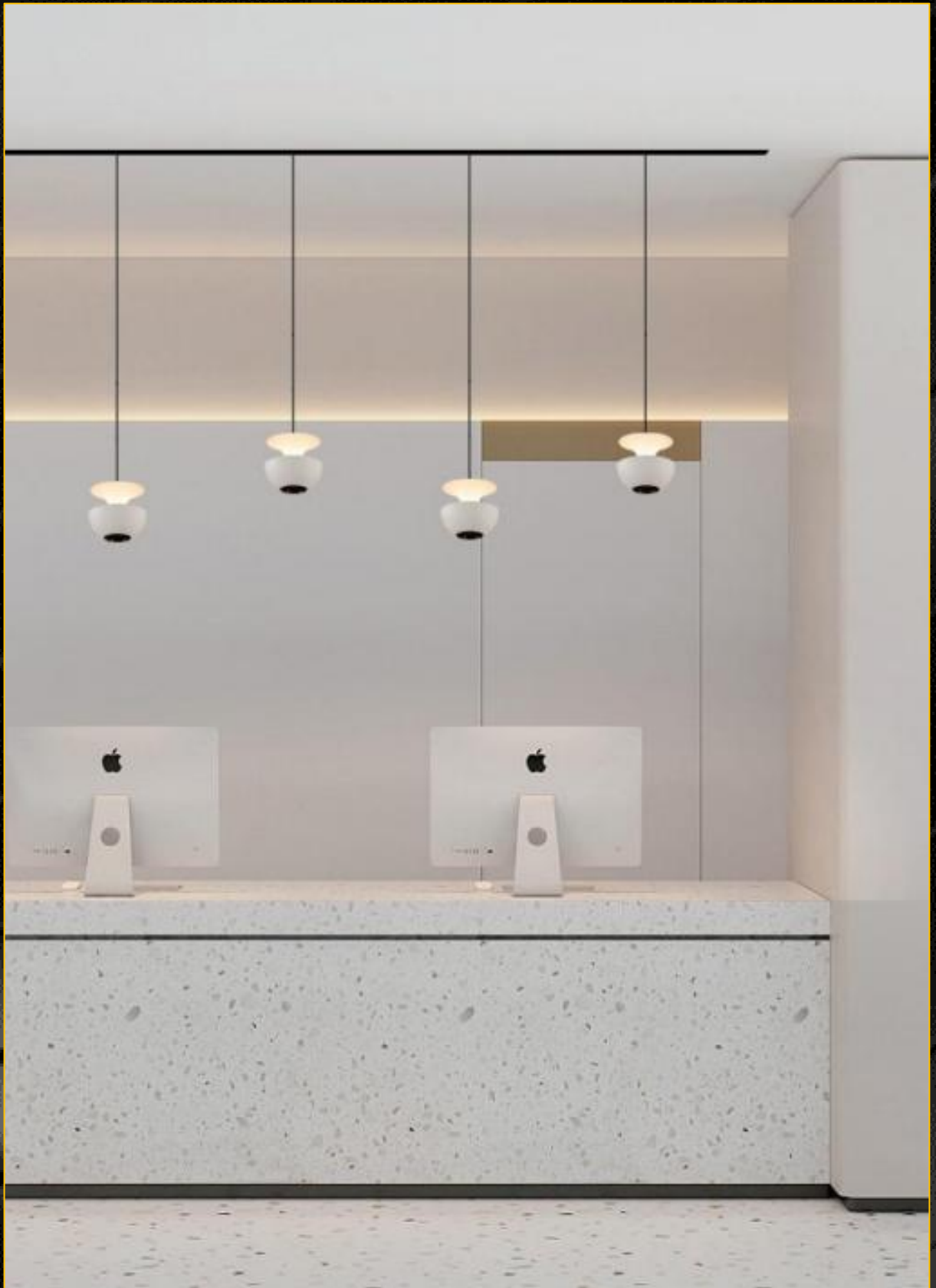


Model	Size	Power LED / Color	CRI	PIC
LWL20.2216CA.40.B.3K	$\Phi$ 80mm L74mm	6 Watt DC48V 3000K Black	70~80LM/W RA $\geq$ 90	
LWL20.2216CA.40.B.4K	$\Phi$ 80mm L74mm	6 Watt DC48V 4000K Black	70~80LM/W RA $\geq$ 90	
LWL20.2216CA.40.W.3K	$\Phi$ 80mm L74mm	6 Watt DC48V 3000K White	70~80LM/W RA $\geq$ 90	
LWL20.2220CA.40.W.4K	$\Phi$ 80mm L74mm	6 Watt DC48V 4000K White	70~80LM/W RA $\geq$ 90	



PRO series

# TROPICAL DENPANT

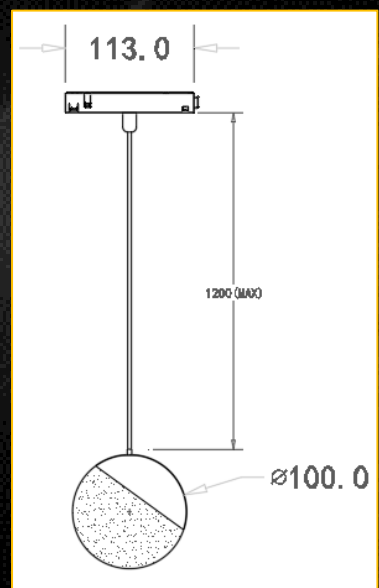


The ART of Lighting



# TAMA DENPANT

LW2218CA.x Series are rail hanging lights  
Diameter  $\Phi$ 100mm  
1 x 6 watt and 3000 and 4000k



Model	Size	Power LED / Color	CRI	PIC
LWL20.2218CA.40.B.3K	$\Phi$ 100mm	6 Watt DC48V 3000K Black	70~80LM/W RA $\geq$ 90	
LWL20.2218CA.40.B.4K	$\Phi$ 100mm	6 Watt DC48V 4000K Black	70~80LM/W RA $\geq$ 90	
LWL20.2218CA.40.W.3K	$\Phi$ 100mm	6 Watt DC48V 3000K White	70~80LM/W RA $\geq$ 90	
LWL20.2218CA.40.W.4K	$\Phi$ 100mm	6 Watt DC48V 4000K White	70~80LM/W RA $\geq$ 90	



PRO series

# TAMA PENDANT



The ART of Lighting

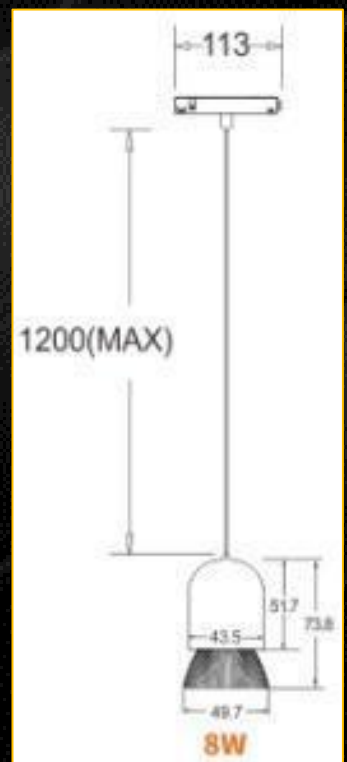
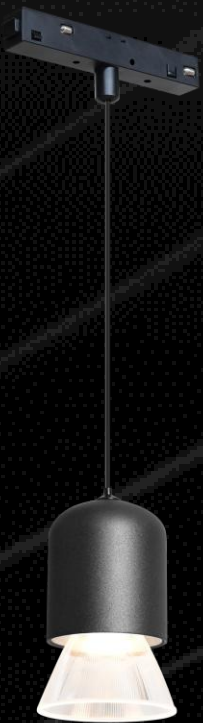


# DOUGO DENPANT

LW2225CA.x Series are rail hanging lights

Diameter  $\Phi$ 50mm

1 x 8 watt and 3000k and 4000k

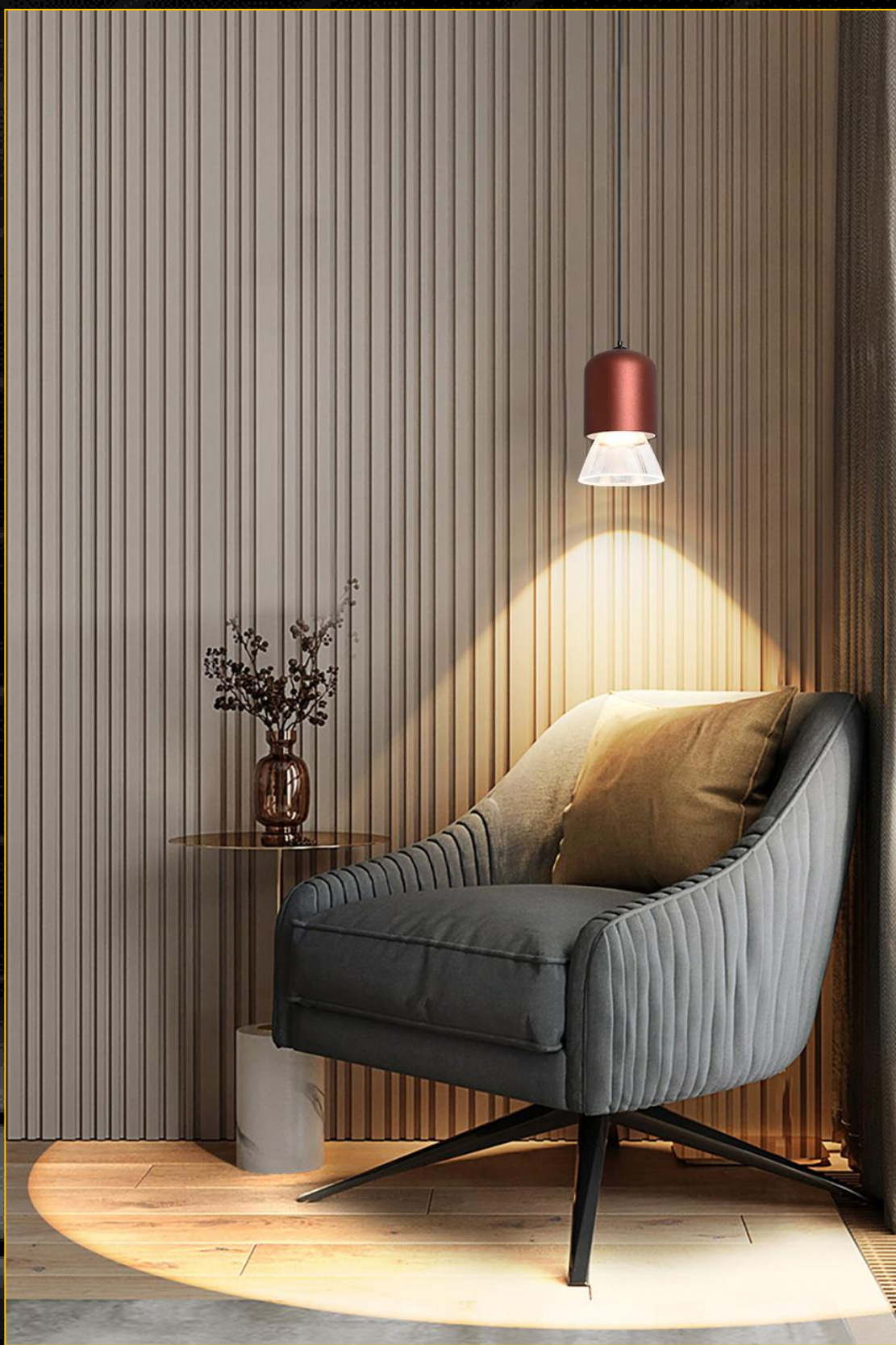


Model	Size	Power LED / Color	CRI	PIC
LWL20.2225CA.8W.B	$\Phi$ 50mm	8 Watt DC48V 3000K Black	70~80LM/W RA $\geq$ 90	
LWL20.2225CA.8W.BL	$\Phi$ 50mm	6 Watt DC48V 4000K Blue	70~80LM/W RA $\geq$ 90	
LWL20.2225CA.8W.BR	$\Phi$ 50mm	6 Watt DC48V 3000K Brown	70~80LM/W RA $\geq$ 90	



PRO series

# DOUGO DENPANT

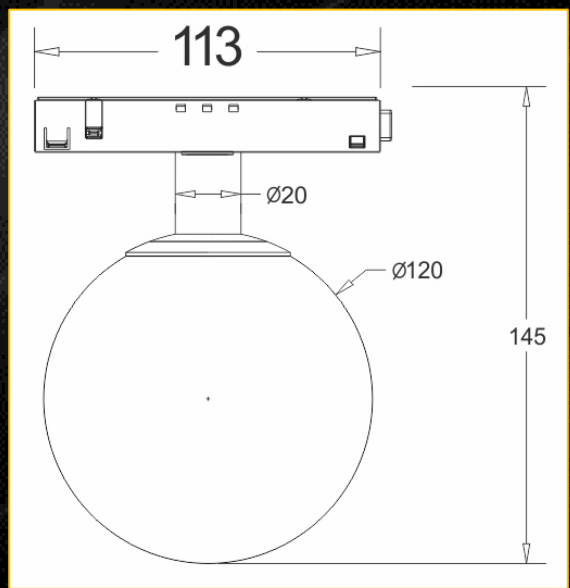


The ART of Lighting



# TAMA

LW2226CA.x Series are rail lights  
Diameter  $\Phi$ 100mm  
1 x 6 watt and 3000 and 4000k



Model	Size	Power LED / Color	CRI	PIC
LWL20.2226CA.40.B.3K	$\Phi$ 100mm	6 Watt DC48V 3000K Black	70~80LM/W RA $\geq$ 90	
LWL20.2226CA.40.B.4K	$\Phi$ 100mm	6 Watt DC48V 4000K Black	70~80LM/W RA $\geq$ 90	
LWL20.2226CA.40.W.3K	$\Phi$ 100mm	6 Watt DC48V 3000K White	70~80LM/W RA $\geq$ 90	
LWL20.2226CA.40.W.4K	$\Phi$ 100mm	6 Watt DC48V 4000K White	70~80LM/W RA $\geq$ 90	



PRO series

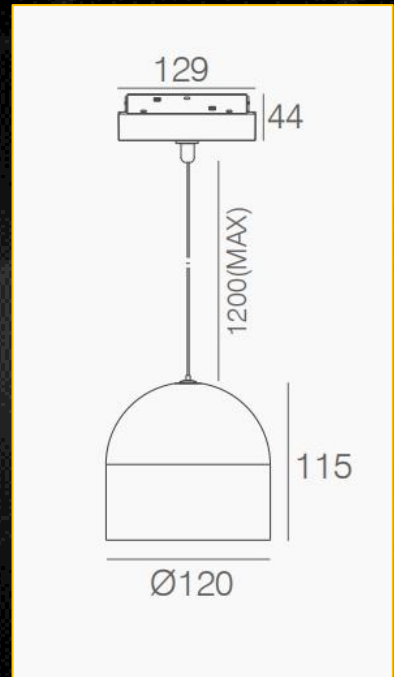
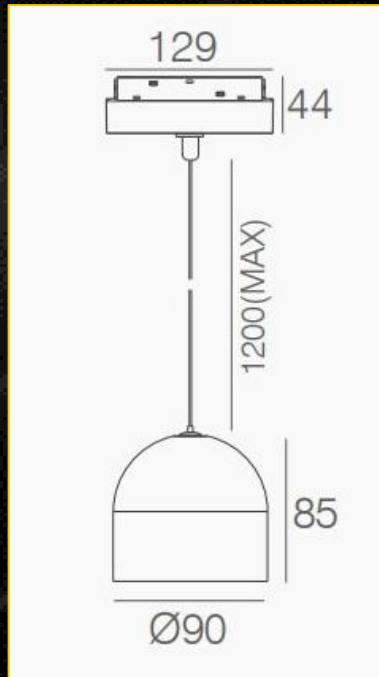
# TAMA



The ART of Lighting



# KUMO DENPANT



Model	Size	Power LED / Color	CRI	PIC
LWL20.2280125.20WB	Φ1200mm	20 Watt DC48V 3000K Black	70~80LM/W RA≥90	
LWL20.2280125.8WB	Φ90mm	8 Watt DC48V 3000K Black	70~80LM/W RA≥90	
LWL20.2280125.20WW	Φ100mm	6 Watt DC48V 3000K White	70~80LM/W RA≥90	
LWL20.2280125.8WW	Φ100mm	6 Watt DC48V 4000K White	70~80LM/W RA≥90	



PRO series

# KUMO DENPANT



The ART of Lighting



PRO series

# SHELVES

CURVE

CURVE.SHLV.2X.B.600.1050

Black – 2 x 60cm



The ART of Lighting



PRO series

# PLANTS

CURVE

CURVE.PLNTHOOK.12PLANT



The ART of Lighting



# ZIGBEE SERIES

LWL20.CCDxx Series are rail hanging lights  
Diameter  $\Phi$ 30mm - 300mm long  
6 / 10 watt and 3000 and 4000k

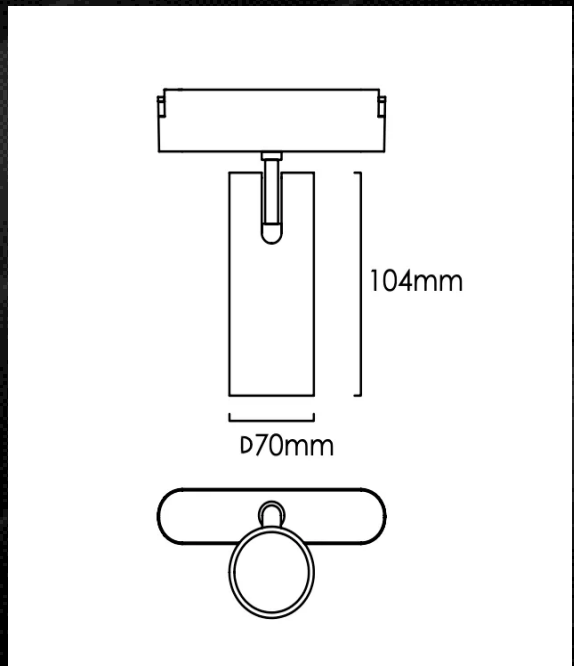



Model	Size	Power LED / Color	CRI	PIC
LWL20.FG.Z.12W.TW	L300mm W22mm H45mm	12W DC48V 3000+6000K	70~80LM/W RA $\geq$ 90 120°	
LWL20.FG.Z.20W.TW	L600mm W22mm H45mm	20W DC48V 3000+6000K	70~80LM/W RA $\geq$ 90 120°	
LWL20.GS.Z.12W.TW	L220mm W22mm H45mm	12W DC48V 3000+6000K	70~80LM/W RA $\geq$ 90 24°	
LWL20.GS.Z.20W.TW	L330mm W22mm H45mm	20W DC48V 3000+6000K	70~80LM/W RA $\geq$ 90 24°	
LWL20.SD.Z.12W.TW	L220mm W22mm H45mm	12W DC48V 3000+6000K	70~80LM/W RA $\geq$ 90 24°	
LWL20.GD.Z.12W	$\Phi$ 50*L120m m	12W DC48V 3000+6000K	70~80LM/W RA $\geq$ 90 24°	



# SPEAKER

LWL20.SPEAKER.B.001 Series are rail speakers Bluetooth /  
Master / Slave  
Diameter  $\Phi$ 65mm - 10 watt




Model	Size	Power LED / Color	Options	PIC
LWL20.SPEAKER.B.001	L104mm W70mm H70mm	10W DC48V	Bluetooth Mater / Slave 10 meter range	



# ZIGBEE SERIES

LWL20.CCDxx Series are rail hanging lights  
Diameter  $\Phi$ 30mm - 300mm long  
6 / 10 watt and 3000 and 4000k



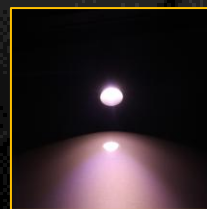
Model	Size	Power LED / Color	CRI	PIC
LWL20.CDD.Z.10W	$\Phi$ 30 L300mm	10W DC48V 3000+6000K	70~80LM/W RA $\geq$ 90 15°	



# ZIGBEE SERIES

DIM to WARM

When dimmed the color of the LED changes to 1800k base color 3000k



Model	Size	Power LED / Color	CRI	PIC
LWL20.DTW.Z.8W	Φ30 L300mm	8W DC48V 1800-3000K Dim to Warm	70~80LM/W RA≥90 38°	



# ACCESOIRES

Accessories for the Magnet tracklights



Model	Size	Power	Info	PIC
LWL20.MD100W	L230mm W22mm H43mm	100W DC48V	100W Magnetic Driver with connector Wires Input:AC230V Output:DC48V	
LWL20.MD200W	L305mm W22mm H43mm	200W DC48V	200W Magnetic Driver with connector Wires Input:AC230V Output:DC48V	
LWL20.CM01	L425mm (30CM Wires)		Conductive module Input connector	
LWL20.CM02A	L200mm		Conductive module Straight connector with wire	
LWL20.CM02B	L200mm		Conductive module Straight connector	
LWL20.CM03	L310mm (15CM Wires)		Conductive module Corner connector	



# CURVE™

## CURVE products for the Magnet tracklights

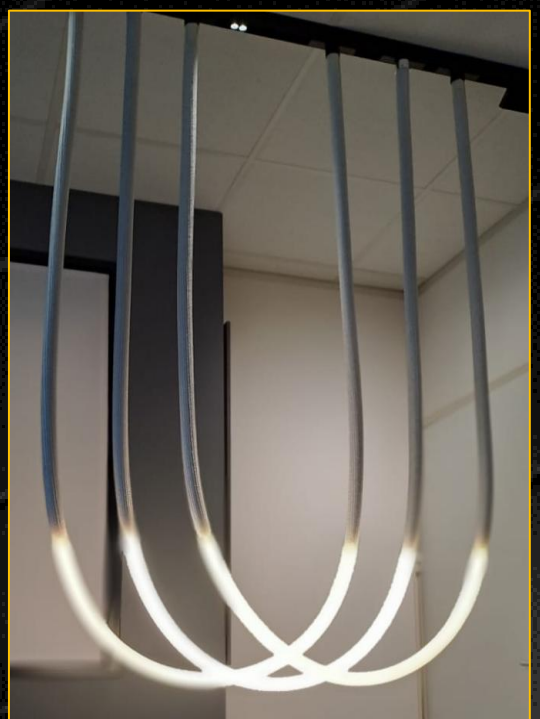


Model	Size	Power / Color	Info	PIC
LWL20.HOOK001	L200mm W22mm H43mm		Special hook for in the magnet rail	
LWL20.CURVE145.2 7k	L14500mm W22mm H43m	19W DC48V 2700k	70~80LM/W RA≥90 360°	
LWL20.CURVE175.2 7k	L17500mm W22mm H43m	19W DC48V 2700k	70~80LM/W RA≥90 360°	
LWL20.CURVE205.2 7k	L20500mm W22mm H43m	19W DC48V 2700k	70~80LM/W RA≥90 360°	
LWL20.CM02B	L200mm		Conductive module Straight connector	
LWL20.CM03	L310mm (15CM Wires)		Conductive module Corner connector	



# CURVE™

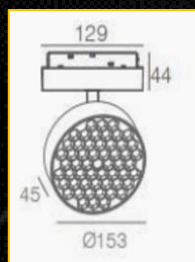
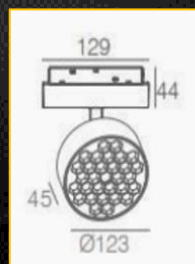
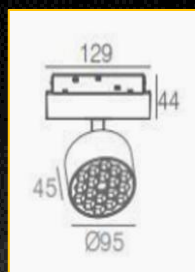
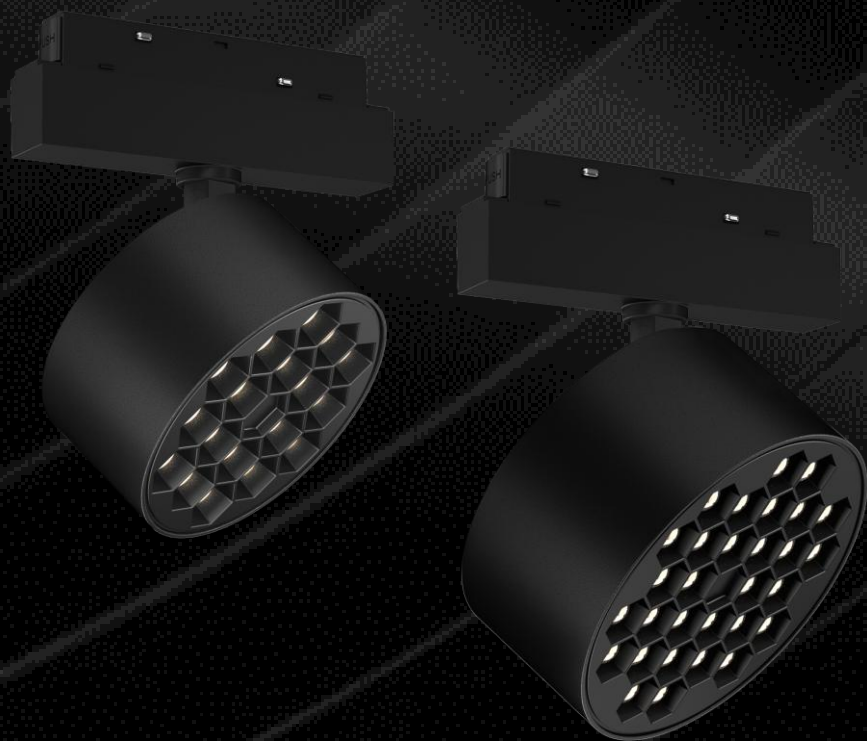
CURVE is a light with many options and combinations





# RAIDEN

LW20.ALGD2280106.x.x Series are rail lights  
Diameter  $\Phi 95$  /  $\Phi 123$  /  $\Phi 153$  mm  
12 / 20 / 30 watt and 3000 and 4000k



Model	Size	Power LED / Color	CRI	PIC
LW20.ALGD2280106.12 W.3K	$\Phi 95$ mm	10 Watt DC48V 3000K Black	70~80LM/W RA $\geq$ 90	
LW20.ALGD2280106.20 W.3K	$\Phi 123$ mm	20 Watt DC48V 4000K Black	70~80LM/W RA $\geq$ 90	
LW20.ALGD2280106.30 W.3K	$\Phi 153$ mm	30 Watt DC48V 3000K White	70~80LM/W RA $\geq$ 90	
LW20.ALGD2280106.30 W.4K	$\Phi 100$ mm	30 Watt DC48V 4000K White	70~80LM/W RA $\geq$ 90	

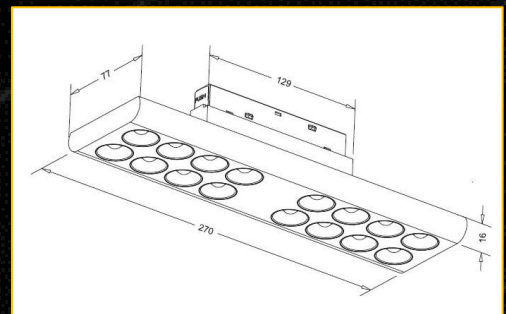


# OZU

LW20.ALGD22800107.x.x Series are rail lights

Size 270x77 mm

16 watt and 3000 and 4000k

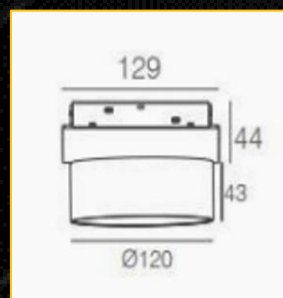
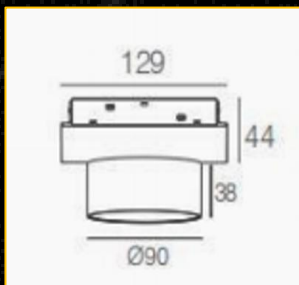
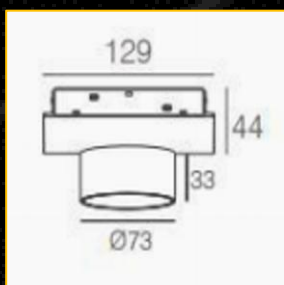


Model	Size	Power LED / Color	CRI	PIC
LW20.ALGD22800107.1 6W.3k	270x77mm	16 Watt DC48V 3000K Black	70~80LM/W RA≥90	
LW20.ALGD22800107.1 6W.4k	270x77mm	16 Watt DC48V 4000K Black	70~80LM/W RA≥90	



# MILO

LW20.ALGD2280106.x.x Series are rail lights  
Diameter  $\Phi 73$  /  $\Phi 90$  /  $\Phi 120$  mm  
5 / 8 / 12 watt and 3000 and 4000k



Model	Size	Power LED / Color	CRI	PIC
LW20.ALGD228012.5W.3K	$\Phi 73$ mm	5 Watt DC48V 3000K Black	70~80LM/W RA $\geq$ 90	
LW20.ALGD228012.8W.3K	$\Phi 90$ mm	8 Watt DC48V 3000K Black	70~80LM/W RA $\geq$ 90	
LW20.ALGD228012.12W.3K	$\Phi 120$ mm	12 Watt DC48V 3000K White	70~80LM/W RA $\geq$ 90	
LW20.ALGD228012.12W.3K	$\Phi 120$ mm	12 Watt DC48V 4000K White	70~80LM/W RA $\geq$ 90	



PRO series

# MILO

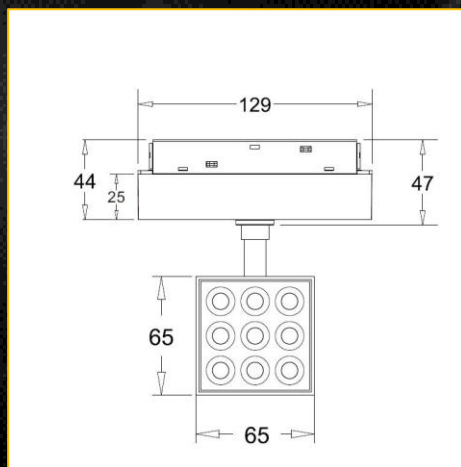


The ART of Lighting



# AXION

LW20.ALGD2215CA.x.x Series are rail lights  
Size 65x65mm  
8 watt and 3000 and 4000k

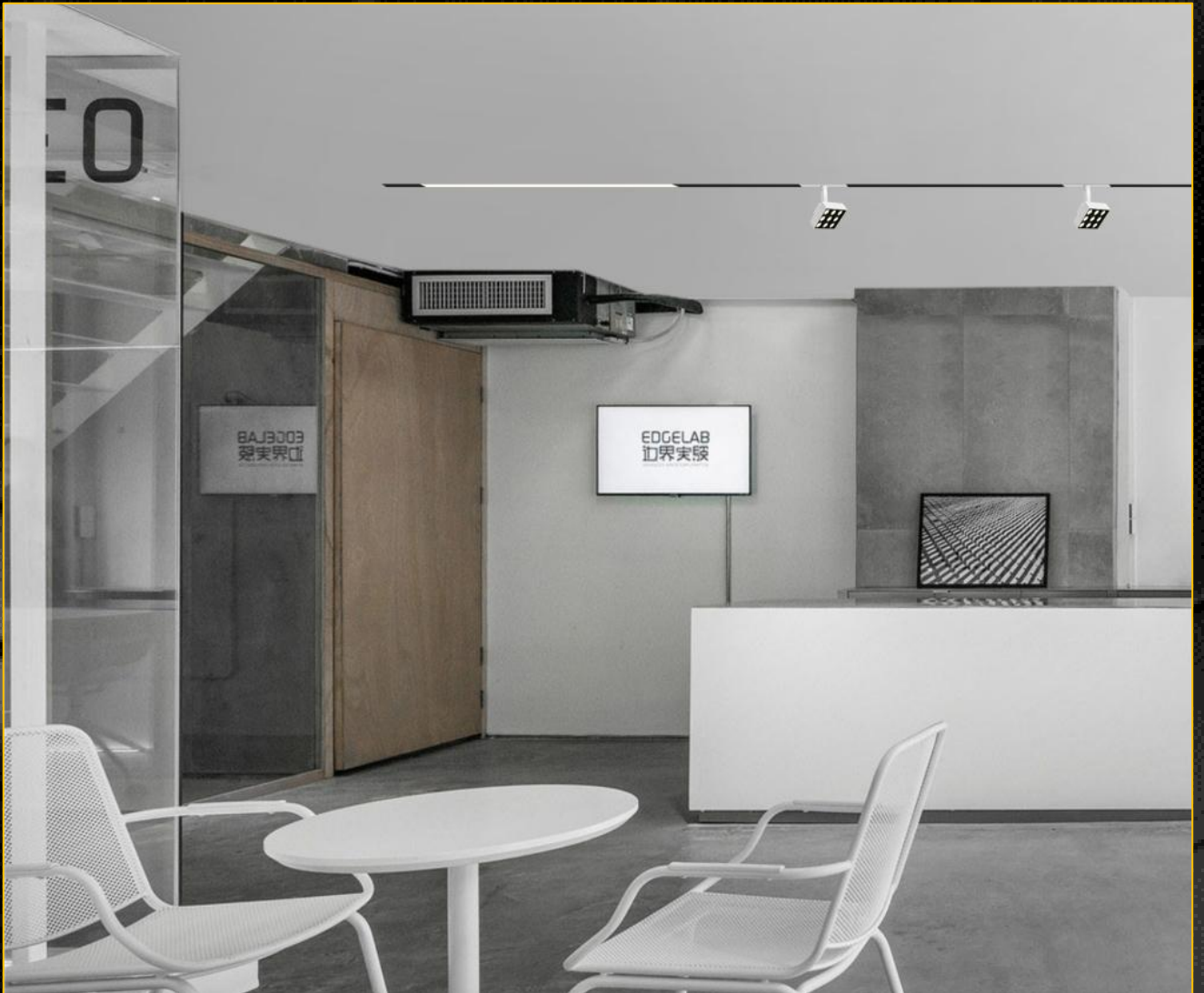


Model	Size	Power LED / Color	CRI	PIC
LW20.ALGD2215CA.8W.3K	65x65mm	8 Watt DC48V 3000K Black	70~80LM/W RA≥90	
LW20.ALGD2215CA.8W.4K	65x65mm	8 Watt DC48V 4000K Black	70~80LM/W RA≥90	



PRO series

# AXION

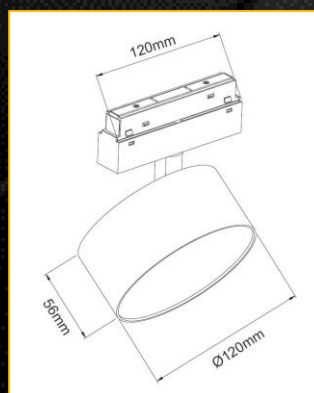
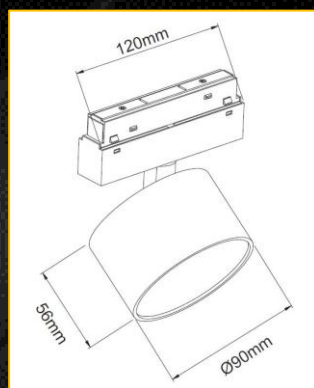


The ART of Lighting



# YAMA

W20.ALGD2231CA.x.x Series are rail lights  
Diameter  $\varnothing$ 65 and  $\varnothing$ 120mm  
10 and 15 watt and 3000 and 4000k

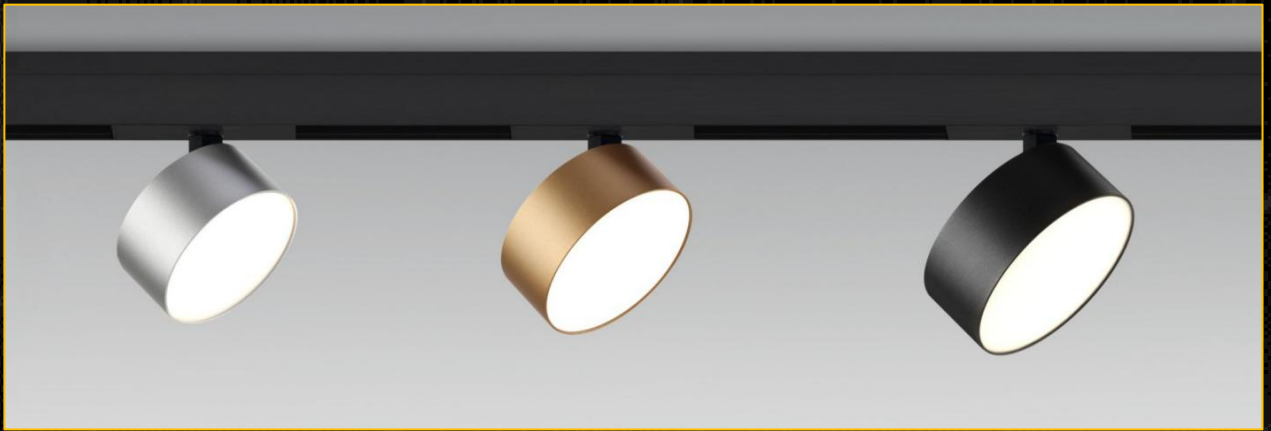


Model	Size	Power LED / Color	CRI	PIC
LW20.ALGD2231CA.10W.3K	$\varnothing$ 65mm	10 Watt DC48V 3000K Black	70~80LM/W RA $\geq$ 90	
LW20.ALGD2231CA.15W.3K	$\varnothing$ 120mm	15 Watt DC48V 3000K Black	70~80LM/W RA $\geq$ 90	



PRO series

# YAMA



The ART of Lighting



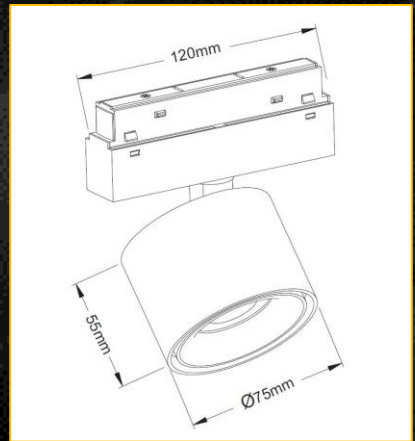
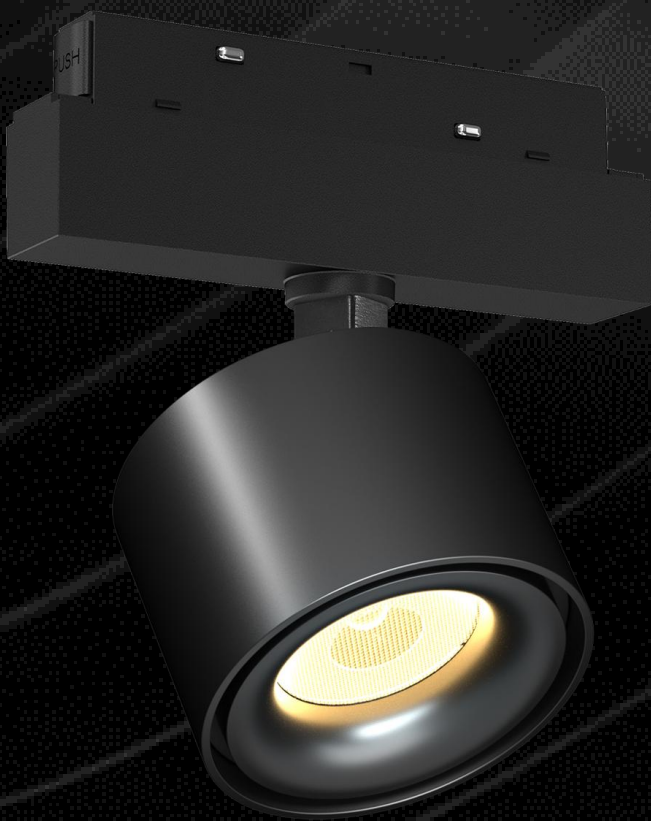
# RAYO

LW20.ALGD2233CA.x.x Series are rail lights

Diameter 65x65mm

mm

10 watt and 3000 and 4000k



Model	Size	Power LED / Color	CRI	PIC
LW20.ALGD2233CA.10W.3k	Ø65mm	10 Watt DC48V 3000K Black	70~80LM/W RA≥90	
LW20.ALGD2233CA.10W.4k	65x65mm	10 Watt DC48V 4000K Black	70~80LM/W RA≥90	



PRO series

# COMMING SOON RIBBON

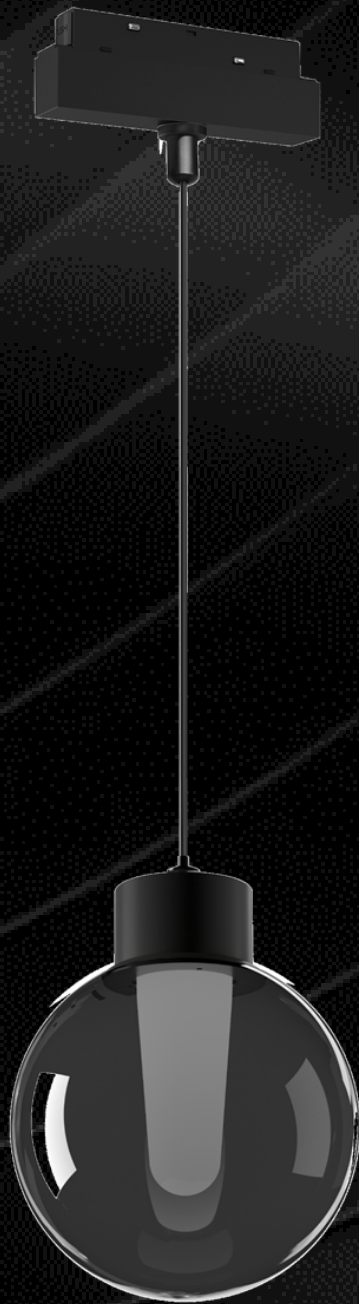


The ART of Lighting



PRO series

COMMING SOON



HELIO

The ART of Lighting



[www.ledware.nl](http://www.ledware.nl)  
Specialist in Light

---

## ABOUT US



[www.ledware.nl](http://www.ledware.nl)

LEDware

Einsteinstraat 8  
3316 GG – Dordrecht / Netherlands  
+31 6 11 30 30 33  
[info@ledware.nl](mailto:info@ledware.nl)  
[www.ledware.nl](http://www.ledware.nl)

---

The ART of LIGHT



Our other brands

