

RICOVO

Digital Lighting Control Solution Provider

DALI | 485 | 0-10V | TRIAC

SMART CONTROL MODULE & SYSTEM

深圳锐科光电科技有限公司
Shenzhen RICO Lighting Co., Ltd

CONTENTS

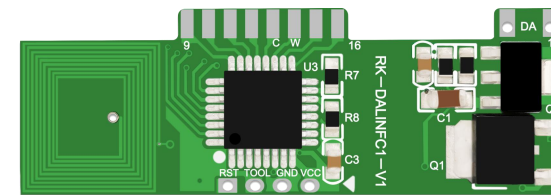
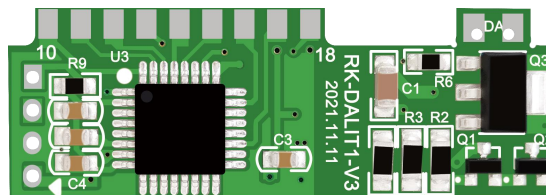
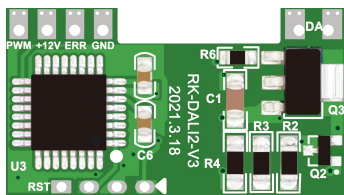
1. About us
2. DALI-2 & D4i Certification Testing Services
3. DALI-2 D4i Module
4. DALI-2 D4i NFC Module
5. DALI-2 DT6 Module
6. DALI-2/PushDim/0-10V 3-in-1 DT6 Module
7. DALI-2 DT8 Module
8. DALI-2 DT8 RGBCW Module
9. DALI-2 DT1 Emergency Module
10. DALI-2 to 0-10V Control Module
11. 0-10V NFC Module
12. 0-10V Dimming & Color Temperature Chip/Module
13. 0-10V Triac Dimming Chip/Module (4-in-1)
14. DALI-2 S1 4-Button Control Panel
15. DALI-2 S1 8-Button Control Panel
16. DALI-2 A8 4-Button Control Panel
17. DALI-2 4-Button Control Panel (EU Version)
18. DALI-2 Knob Dimmer (EU Version)
19. DALI-2 Dry Contact Switch
20. DALI-2 PIR Occupancy and Light Sensor
21. DALI USB 485 Master
22. DALI Touch Panel
23. DALI Production Testing Tool
24. CONTACT US

■ About us

Founded in 2015, **Shenzhen RICO Lighting Co., Ltd** is an innovative technology company specializing in providing smart lighting control system solutions for our partners.

These years, we have been focused on DALI solutions, providing complete DALI control systems, our main products include **DALI-2 DT6 Module, DALI-2 DT8 Module, DALI-2 DT8 RGBCW Module, DALI-2 D4i Module, DALI-2 D4i NFC Module, DALI-2/PushDim/0-10V 3-in-1 Module, DALI-2 DT1 Emergency Module, DALI USB 485 Master, DALI-2 Input Device, DALI-2 NFC Control Panel, DALI production testing tool, etc.**

Keep up with the DiiA trend, and our products can be customized according to your requirements. Your satisfaction is our pursuit, and look forward to cooperating with you.



■ DALI-2 & D4i Certification Testing Services

Our company is an officially authorized DALI Test-house of the DALI Alliance and is authorized to provide professional DALI-2 and D4i certification testing services to customers.



ProbitLab2

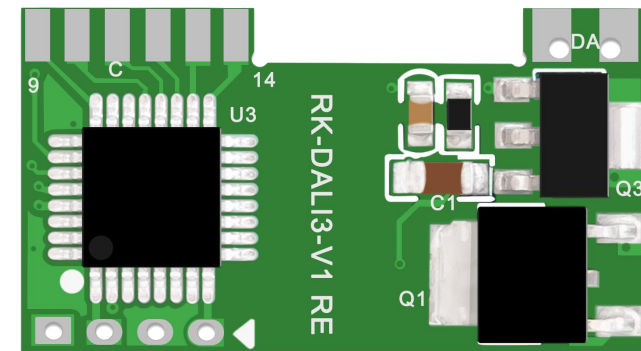


Certificate of DALI Alliance Test-house Accreditation

■ DALI-2 D4i Module



- **Model:** RK-DALI3-V1
- **Supported Protocols:** IEC62386-101, IEC62386-102, IEC62386-207, IEC62386-209, IEC62386-250, IEC62386-251, IEC62386-252, IEC62386-253.
- **Supported Functions:** DALI-2 DT6 dimming, DT8 color temperature adjustment, D4i (Data Collection, Energy Consumption Reporting, Diagnostics & Maintenance), PushDim.
- **Power Supply:** DC 5V, 10mA.
- **DALI Interface:** 9.5V-22.5V, 1.9mA, with 220V AC miswiring protection.
- **Output PWM:** 1-2 channels PWM, dimming range from 0.1% to 100% (frequency and minimum brightness can be customized, minimum dimming depth is 0.1%).
- **Working Temperature:** -40~85 °C.
- **Module Size:** 31.5X17.5X6mm.
- **Installation Method:** Gold finger/Pin header.
- **DALI Certification:** Compliant with DALI-2 and D4i certification standards, and we can assist customers in completing DALI-2 and D4i certifications.
- **Compatibility:** Be compatible with TRIDONIC, OSRAM, PHILIPS, Helvar, JUNG, ABB, Lutron and Crestron DALI control system, etc.



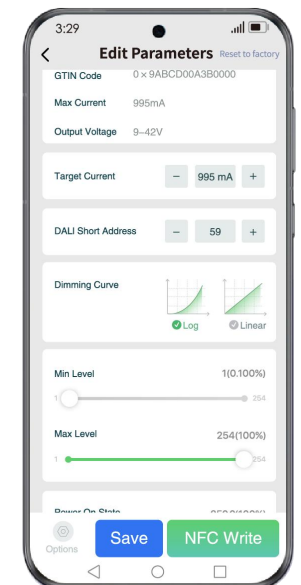
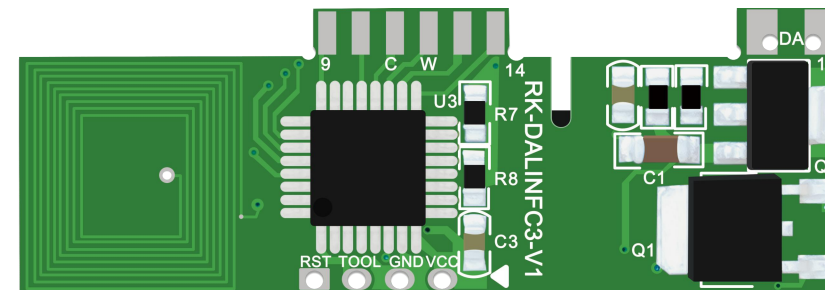
■ DALI-2 D4i NFC Module



- **Model:** RK-DALINFC3-V1
- **Supported Protocols:** IEC62386-101, IEC62386-102, IEC62386-207, IEC62386-209, IEC62386-250, IEC62386-251, IEC62386-252, IEC62386-253.
- **Supported Functions:** DALI-2 DT6 dimming, DT8 color temperature adjustment, D4i, PushDim. It adopts the ISO15693 international standard and features NFC settings, current reading, and various configurable parameters of DALI-2.

- **Power Supply:** DC 5V, 10mA.
- **DALI Interface:** 9.5V-22.5V, 1.9mA, with 220V AC miswiring protection.
- **Output PWM:** 1-2 channels PWM, dimming range from 0.1% to 100% (frequency and minimum brightness can be customized, minimum dimming depth is 0.1%).

- **Working Temperature:** -40~85 °C.
- **Module Size:** 49X17.5X1.2mm.
- **Installation Method:** Gold finger/Pin header.
- **DALI Certification:** Compliant with DALI-2 and D4i



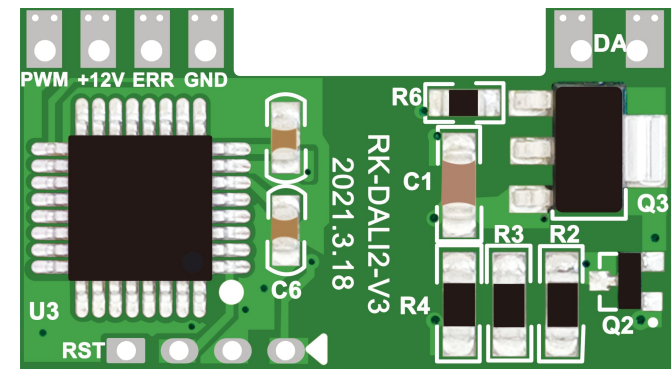
**Companion Software:
DALI NFC Tool**

- certification standards, and we can assist customers in completing DALI-2 and D4i certifications.
- **Compatibility:** Be compatible with TRIDONIC, OSRAM, PHILIPS, Helvar, JUNG, ABB, Lutron and Crestron DALI control system, etc.



■ DALI-2 DT6 Module

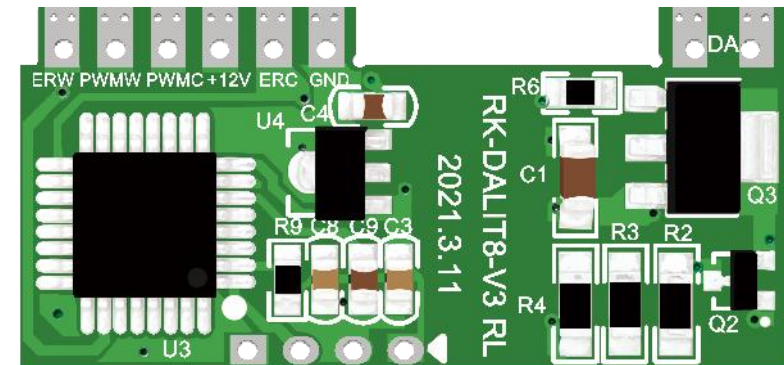
- **Model:** RK-DALI2-V3
- **Supported Protocols:** IEC62386-101, IEC62386-102, IEC62386-207.
- **Supported Functions:** DALI-2 dimming, PushDim (be compatible with Tridonic).
- **Power Supply:** DC7V~15V,10mA.
- **DALI Interface:** 9.5V-22.5V, 1.9mA, with 220V AC miswiring protection.
- **Output PWM:** 1 channel PWM, 4kHz · dimming range from 0.1% to 100% (frequency and minimum brightness can be customized, minimum dimming depth is 0.1%).
- **Working Temperature:** -40~85 °C.
- **Module Size:** 31.5X17.5X6mm.
- **Installation Method:** Gold finger/Pin header.
- **DALI Certification:** Compliant with DALI-2 certification standards, and we can assist customers in completing DALI-2 certifications.
- **Compatibility:** Be compatible with TRIDONIC, OSRAM, PHILIPS, Helvar, JUNG, ABB, Lutron and Crestron DALI control system, etc.





■ DALI-2/PushDim/0-10V 3-in-1 DT6 Module

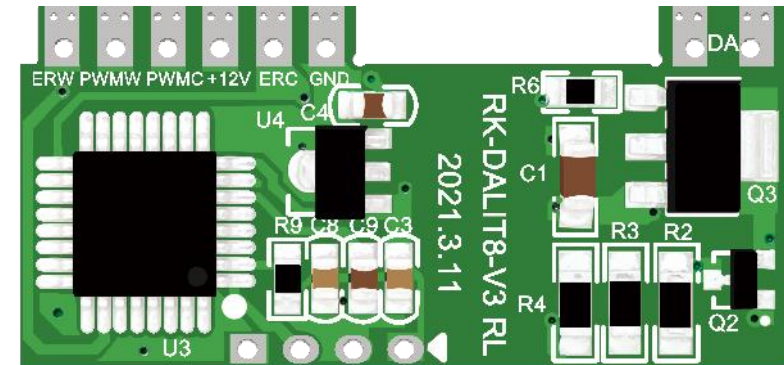
- **Model:** RK-DALIT8-V3-010V
- **Supported Protocols:** IEC62386-101, IEC62386-102, IEC62386-207
- **Supported Functions:** DALI-2 dimming, PushDim (be compatible with Tridonic), 0-10V.
- **Power Supply:** DC7V~15V,10mA.
- **DALI Interface:** 9.5V-22.5V, 1.9mA, with 220V AC miswiring protection.
- **Output PWM:** 1 channel PWM, 4kHz · dimming range from 0.1% to 100% (frequency and minimum brightness can be customized, minimum dimming depth is 0.1%).
- **Working Temperature:** -40~85 °C.
- **Module Size:** 37.5X17.5X6mm.
- **Installation Method:** Gold finger/Pin header
- **DALI Certification:** Compliant with DALI-2 certification standards, and we can assist customers in completing DALI-2 certifications.
- **Compatibility:** Be compatible with TRIDONIC, OSRAM, PHILIPS, Helvar, JUNG, ABB, Lutron and Crestron DALI control system, etc.





■ DALI-2 DT8 Module

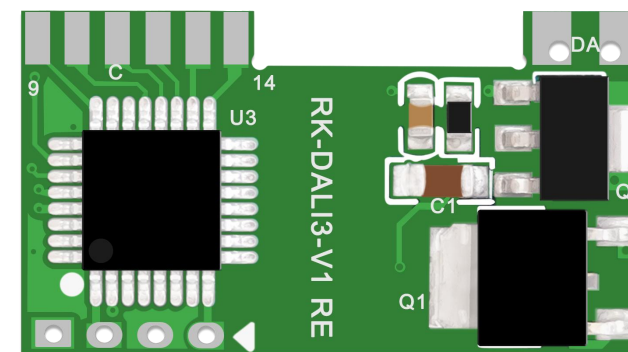
- **Model:** RK-DALIT8-V3-DT8
- **Supported Protocols:** IEC62386-101, IEC62386-102, IEC62386-207, IEC62386-209.
- **Supported Functions:** DALI-2 dimming, DALI-2 tunable color temperature, PushDim (be compatible with Tridonic).
- **Power Supply:** DC7V~15V, 10mA.
- **DALI Interface:** 9.5V-22.5V, 1.9mA, with 220V AC miswiring protection.
- **Output PWM:** 2 channels PWM , 4kHz, dimming range from 0.1% to 100% (frequency and minimum brightness can be customized, minimum dimming depth is 0.1%).
- **Working Temperature:** -40~85 °C.
- **Module Size:** 37.5X17.5X6mm.
- **Installation Method:** Gold finger/Pin header.
- **DALI Certification:** Compliant with DALI-2 certification standards, and we can assist customers in completing DALI-2 certifications.
- **Compatibility:** Be compatible with TRIDONIC, OSRAM, PHILIPS, Helvar, JUNG, ABB, Lutron and Crestron DALI control system, etc.





■ DALI-2 DT8 RGBCW Module

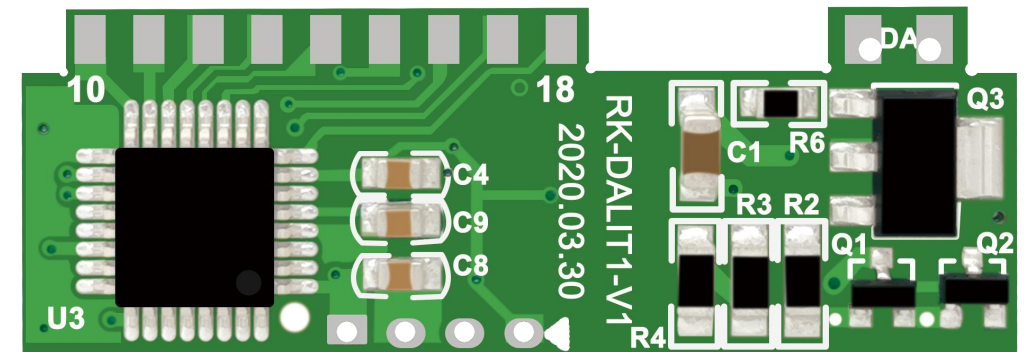
- **Model:** RK-DALI3-V1-RGBCW
- **Supported Protocols:** IEC62386-101, IEC62386-102, IEC62386-207, IEC62386-209.
- **Supported Functions:** DALI-2 DT8 Tc color temperature tuning, DT8 xy color coordinate tuning, DT8 RGBWAF channel mode.
- **Power Supply:** DC 5V, 10mA.
- **DALI Interface:** 9.5V-22.5V, 1.9mA, with 220V AC miswiring protection.
- **Output PWM:** 5 channels PWM, 4kHz, dimming range from 0.1% to 100% (frequency and minimum brightness can be customized, minimum dimming depth is 0.1%).
- **Working Temperature:** -40~85 °C.
- **Module Size:** 31.5X17.5X6mm.
- **Installation Method:** Gold finger/Pin header.
- **DALI Certification:** Compliant with DALI-2 certification standards, and we can assist customers in completing DALI-2 certifications.
- **Compatibility:** Be compatible with TRIDONIC, OSRAM, PHILIPS, Helvar, JUNG, ABB, Lutron and Crestron DALI control system, etc.



■ DALI-2 DT1 Emergency Module



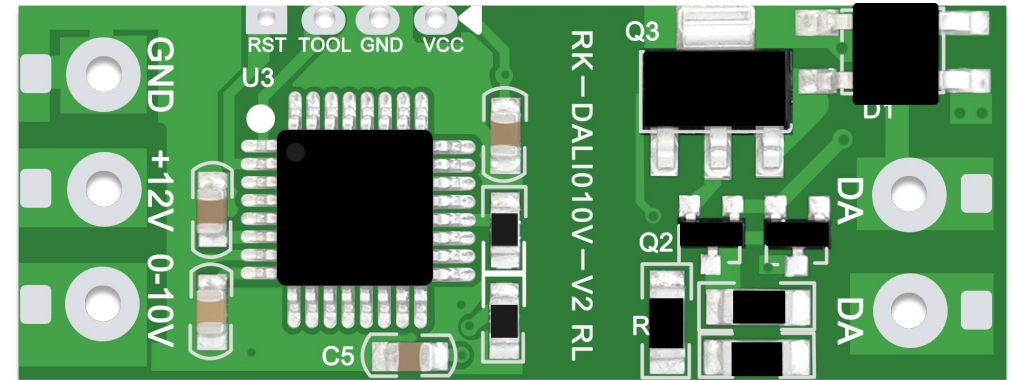
- **Model:** RK-DALIT1-V1-DT1
- **Supported Protocols:** IEC62386-101, IEC62386-102, IEC62386-202.
- **Supported Functions:** DALI-2 DT1 Self-contained emergency power supply.
- **Power Supply:** DC 5V, 10mA.
- **DALI Interface:** 9.5V-22.5V, 1.9mA, with 220V AC miswiring protection.
- **Working Temperature:** -40~85 °C.
- **Module Size:** 43X15X6mm.
- **Installation Method:** Gold finger/Pin header.
- **DALI Certification:** Compliant with DALI-2 certification standards, and we can assist customers in completing DALI-2 certifications.
- **Compatibility:** Be compatible with TRIDONIC, OSRAM, PHILIPS, Helvar, JUNG, ABB, Lutron and Crestron DALI control system, etc.





■ DALI-2 to 0-10V Control Module

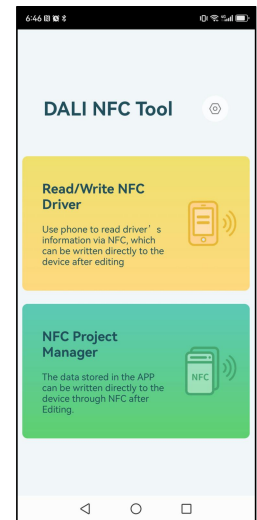
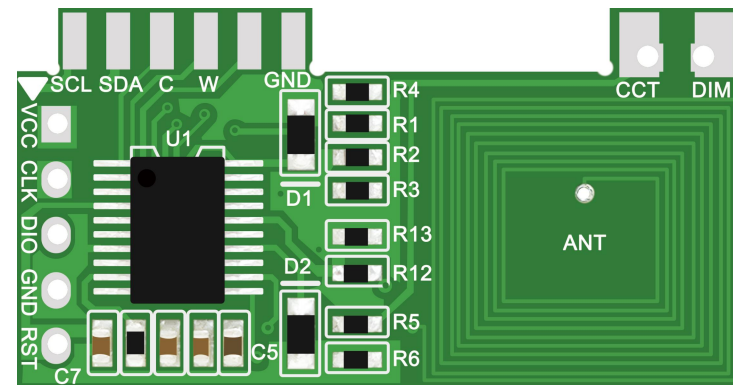
- **Model:** RK-DALI010V-V2
- **Supported Protocols:** IEC62386-101, IEC62386-102, IEC62386-207.
- **Supported Functions:** DALI and 0-10V output functions.
- **Power Supply:** DC 12V, 10mA.
- **DALI Interface:** Voltage: 9.5V to 22.5V (DALI PS BUS); Current: 1.9mA; Isolation Voltage from Control Circuit: 3000VAC.
- **0-10V Output:** 1 channel of 0-10V output, with a default minimum voltage value of 1V (customizable), and a maximum output current of 15mA.
- **Working Temperature:** -40~80 °C.
- **Module Size:** 44X17X12mm.
- **Installation Method:** Gold finger/Pin header.
- **Module Protection:** DALI interface 260V high-voltage protection.





0-10V NFC Module

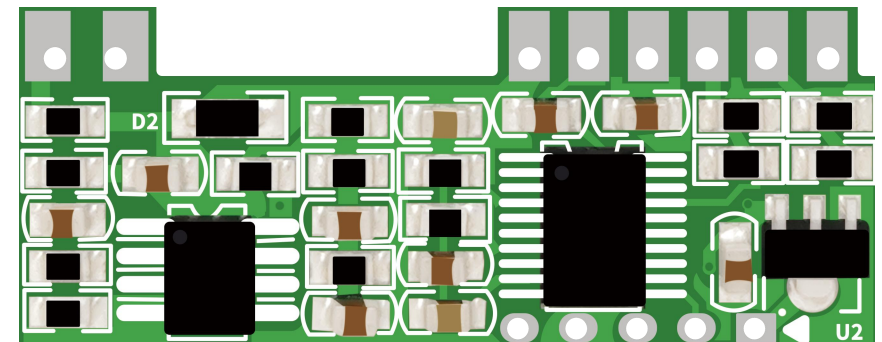
- **Model:** RK-010V-NFC
- **Supported Protocols:** 0-10V, 10V PWM, Potentiometer.
- **Supported Functions:** 2-channel 0-10V dimming signal, outputting 2-channel PWM signals, with selectable linked/independent color temperature adjustment modes. Parameters can be set via NFC.
- **Power Supply:** DC 12V~15V, 10mA.
- **0-10V Interface:** Support for active 0-10V dimmers, passive 0-10V dimmers, 10V PWM, and potentiometer dimming.
- **Output PWM:** 2 channels PWM, 4kHz · dimming range from 0.1% to 100% (frequency and minimum brightness can be customized, minimum dimming depth is 0.1%).
- **Working Temperature:** -40~85 °C.
- **Installation Method:** Gold finger/Pin header.
- **Compatibility:** Be compatible with TRIDONIC, OSRAM, PHILIPS, MI, Orvibo, Tuya 0-10V control system, etc.



**Companion Software:
DALI NFC Tool**

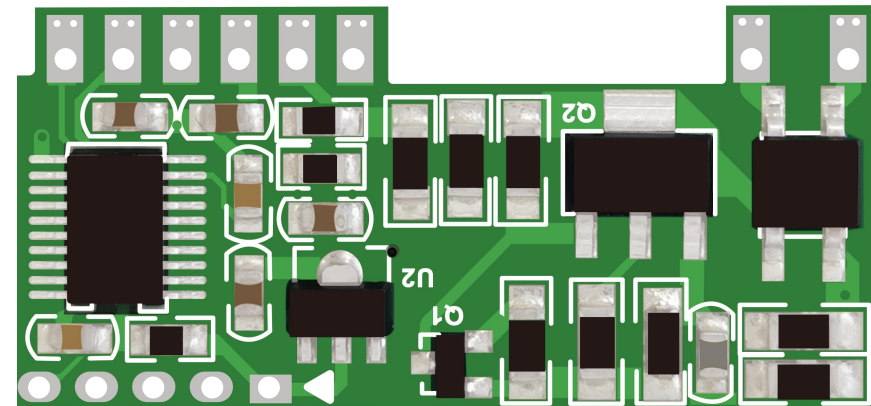
■ 0-10V Dimming & Color Temperature Chip/Module

- **Model:** RK-010V-V3
- **Supported Protocols:** 0-10V, 10V PWM, Potentiometer.
- **Supported Functions:** 2-channel 0-10V dimming signal, outputting 2-channel PWM signals, with selectable linked/independent color temperature adjustment modes.
- **Power Supply:** DC 12V~15V, 10mA.
- **0-10V Interface:** Support for active 0-10V dimmers, passive 0-10V dimmers, 10V PWM, and potentiometer dimming.
- **Output PWM:** 2 channels PWM, 4kHz · dimming range from 0.1% to 100% (frequency and minimum brightness can be customized, minimum dimming depth is 0.1%).
- **Working Temperature:** -40~85 °C.
- **Module Size:** 37.5X15X6mm.
- **Installation Method:** Gold finger/Pin header.
- **Compatibility:** Be compatible with TRIDONIC, OSRAM, PHILIPS, MI, Orvibo, Tuya 0-10V control system, etc.



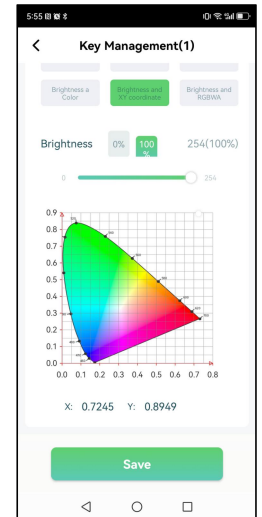
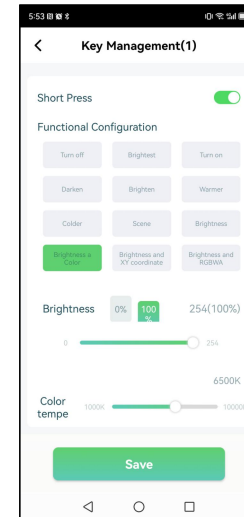
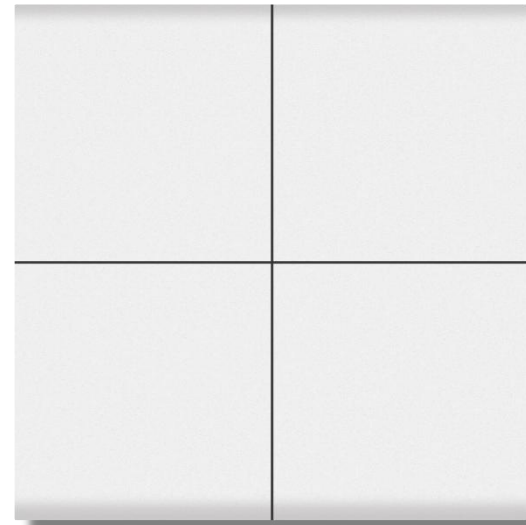
■ 0-10V Triac Dimming Chip/Module (4-in-1)

- **Model:** RK-TRIAC-V1
- **Supported Protocols:** 0-10V, 10V PWM, Potentiometer, Triac
- **Supported Functions:** Supports both 0-10V and Triac dimming.
- **Power Supply:** DC 5-15V (ripple less than 200mV).
- **Output Signal:** 1 channel PWM (4KHz, 5mA, minimum dimming depth is 0.3%, frequency can be customized).
- **Triac Interface:** AC 200-240V.
- **Working Temperature:** -20~80 °C.
- **Module Size:** 37.5X17.5X1.2mm.
- **Installation Method:** Gold finger/Pin header.
- **Compatibility:** Be compatible with TRIDONIC, OSRAM, PHILIPS, MI, Orvibo, Tuya 0-10V control system, etc.



■ DALI-2 S1 4-Button Control Panel

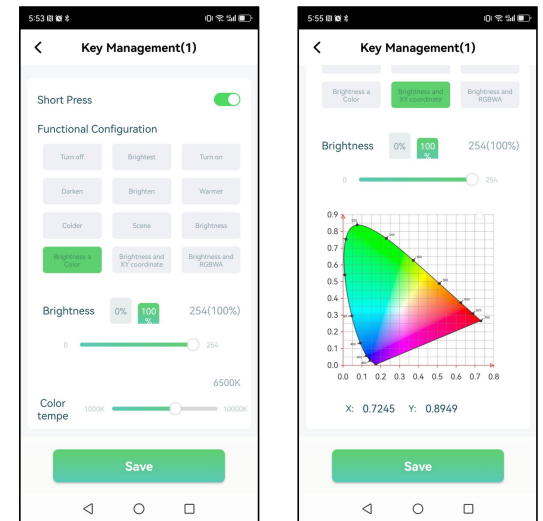
- **Model:** RK-DALIS1-4K
- **Supported Protocols:** IEC62386-101, IEC62386-103, IEC62386-301.
- **Functions:** Parameters can be configured via NFC or DALI-2 gateway. Supports on/off control, dimming, CCT adjustment, RGBWAF color control, xy chromaticity coordinate settings, address setting, etc.
- **Power Supply:** AC100-240V, 50/60Hz.
- **DALI PS Output:** 16V, 125mA (Built-in DALI power supply output) / None. (Two options available)
- **Size:** 86×88mm
- **Customization:** European standards customization available.
- **Supported Software:** DALI NFC Tool (Mobile & PC versions).
- **DALI Certification:** Complies with DALI-2 certification standards.
- **Key Feature:** Integrates DALI-2 input device and application controller dual modes, switchable via configuration tool.



DALI NFC Tool Software Interface

■ DALI-2 S1 8-Button Control Panel

- **Model:** RK-DALIS1-8K
- **Supported Protocols:** IEC62386-101, IEC62386-103, IEC62386-301.
- **Functions:** Parameters can be configured via NFC or DALI-2 gateway. Supports on/off control, dimming, CCT adjustment, RGBWAF color control, xy chromaticity coordinate settings, address setting, etc.
- **Power Supply:** AC100-240V, 50/60Hz.
- **DALI PS Output:** 16V, 125mA (Built-in DALI power supply output) / None. (Two options available)
- **Size:** 86×88mm
- **Customization:** European standards customization available.
- **Supported Software:** DALI NFC Tool (Mobile & PC versions).
- **DALI Certification:** Complies with DALI-2 certification standards.
- **Key Feature:** Integrates DALI-2 input device and application controller dual modes, switchable via configuration tool.

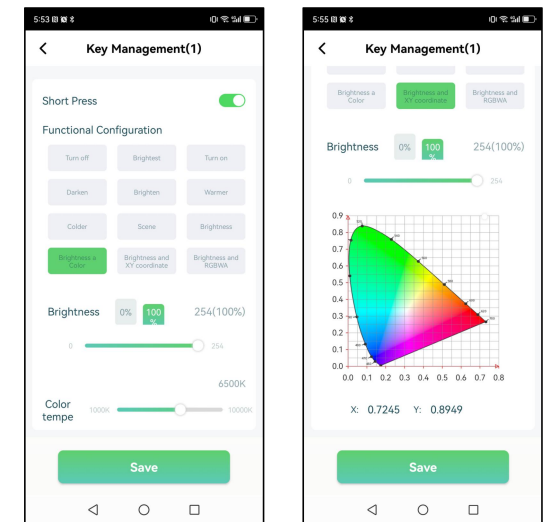
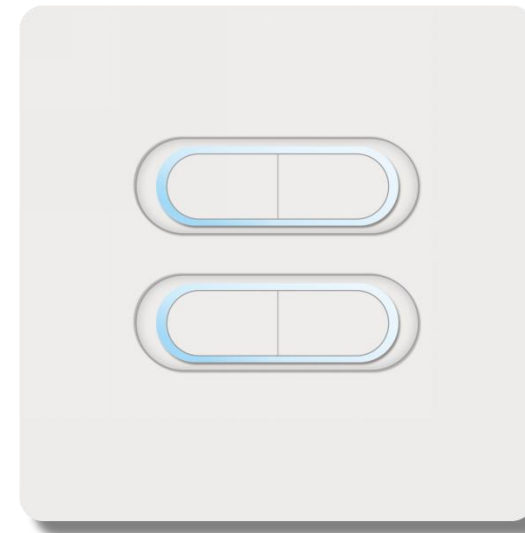


DALI NFC Tool Software Interface

■ DALI-2 A8 4-Button Control Panel



- **Model:** RK-DALIA8-4K
- **Supported Protocols:** IEC62386-101, IEC62386-103, IEC62386-301.
- **Functions:** Parameters can be configured via NFC or DALI-2 gateway. Supports on/off control, dimming, CCT adjustment, RGBWAF color control, xy chromaticity coordinate settings, address setting, etc.
- **Power Supply:** AC100-240V, 50/60Hz.
- **DALI PS Output:** 16V, 125mA (Built-in DALI power supply output) / None. (Two options available)
- **Size:** 86×88mm
- **Customization:** European standards customization available.
- **Supported Software:** DALI NFC Tool (Mobile & PC versions).
- **DALI Certification:** Complies with DALI-2 certification standards.
- **Key Feature:** Integrates DALI-2 input device and application controller dual modes, switchable via configuration tool.

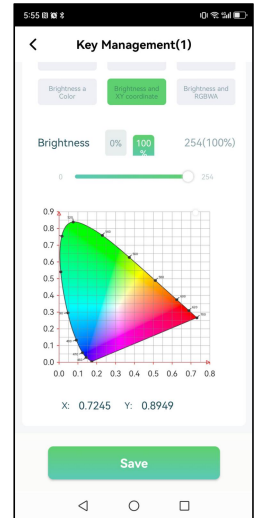
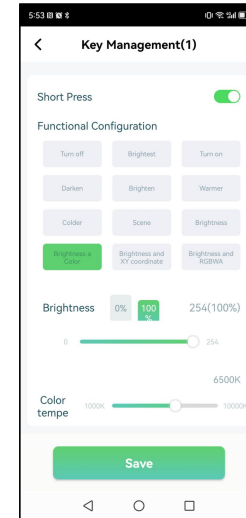


DALI NFC Tool Software Interface

■ DALI-2 4-Button Control Panel (EU Version)



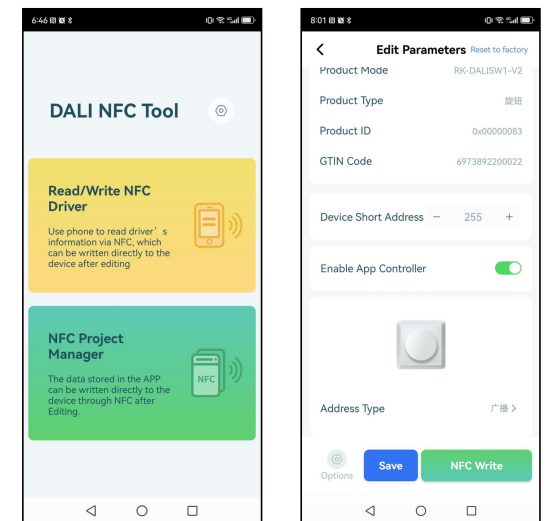
- **Model:** RK-DALIY10-4K
- **Supported Protocols:** IEC62386-101, IEC62386-103, IEC62386-301.
- **Functions:** Parameters can be configured via NFC or DALI-2 gateway. Supports on/off control, dimming, CCT adjustment, RGBWAF color control, xy chromaticity coordinate settings, address setting, etc.
- **Power Supply:** AC100-240V, 50/60Hz.
- **DALI PS Output:** 16V, 125mA (Built-in DALI power supply output) / None. (Two options available)
- **Size:** 86×86×34.85mm
- **Customization:** European standards customization available.
- **Supported Software:** DALI NFC Tool (Mobile & PC versions).
- **DALI Certification:** Complies with DALI-2 certification standards.
- **Key Feature:** Integrates DALI-2 input device and application controller dual modes, switchable via configuration tool.



DALI NFC Tool Software Interface

■ DALI-2 Knob Dimmer (EU Version)

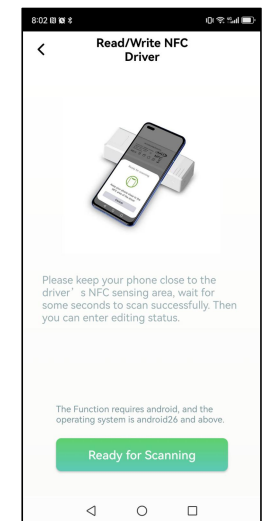
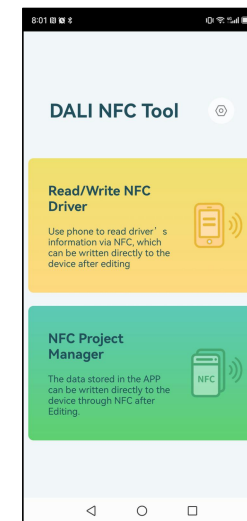
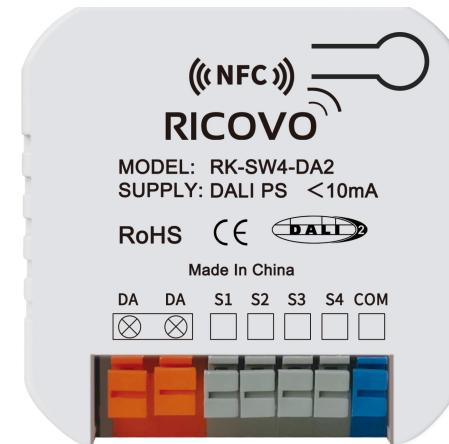
- **Model:** RK-DALISW1-V2
- **Supported Protocols:** IEC62386-101, IEC62386-103, IEC62386-301, IEC62386-302.
- **Functions:** Parameters can be set via NFC or DALI-2 gateway, Supports on/off control, dimming, color temperature adjustment, and address configuration.
- **Power Supply:** Powered by DALI PS (<10mA).
- **DALI PS Output:** 16V, 50mA (Built-in DALI PS power supply output)/None. (Two options available)
- **Size:** 83.5×83.5mm
- **Supported Software:** DALI NFC Tool (Mobile & PC versions).
- **DALI Certification:** Complies with DALI-2 certification standards.
- **Key Feature:** Integrates DALI-2 input device and application controller dual modes, switchable via configuration tool.



DALI NFC Tool Software Interface

■ DALI-2 Dry Contact Switch

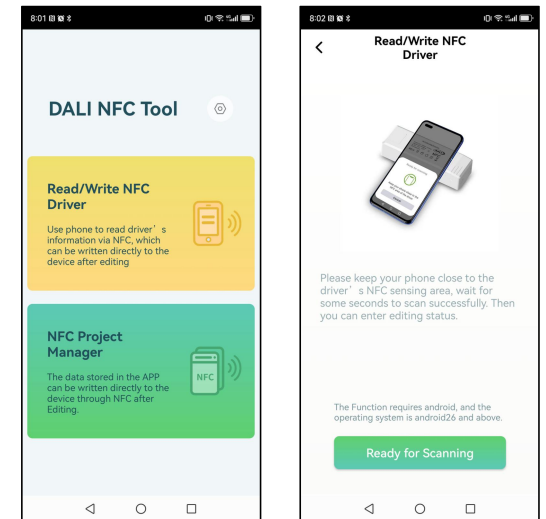
- **Model:** RK-SW4-DA2
- **Supported Protocols:** IEC62386-101, IEC62386-103, IEC62386-301.
- **Supported Functions:** 4-channel DALI-2 buttons, application controller. Parameters can be set via NFC or DALI-2 gateway.
- **Power Supply:** Powered by DALI PS (<10mA).
- **DALI Interface:** 9.5V-22.5V.
- **Working Temperature:** -20~60 °C.
- **Size:** 46X46X18.25mm.
- **Supported Software:** DALI NFC Tool (Mobile & PC versions).
- **DALI Certification:** Compliant with DALI-2 certification standards.
- **Key Feature:** Integrates DALI-2 input device and application controller dual modes, switchable via configuration tool.



DALI NFC Tool Software Interface

■ DALI-2 PIR Occupancy and Light Sensor

- **Model:** RK-DALIPIR-V1
- **Supported Protocols:** IEC62386-101, IEC62386-103, IEC62386-303, IEC62386-304.
- **Features:** Parameters can be set via NFC or DALI-2 gateway, 1-channel DALI-2 occupancy sensor and 1-channel DALI-2 light sensor.
- **Power Supply:** Powered by DALI PS (<10mA).
- **DALI Interface:** 9.5V-22.5V
- **Supported Software:** DALI NFC Tool (Mobile & PC versions).
- **DALI Certification:** Complies with DALI-2 certification standards.
- **Key Feature:** Integrates DALI-2 input device and application controller dual modes, switchable via configuration tool.

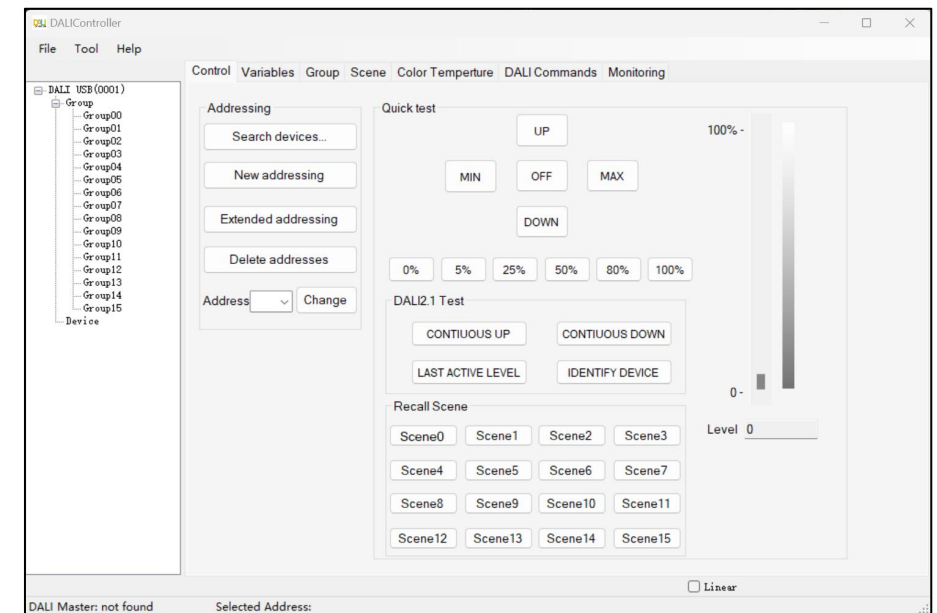


DALI NFC Tool software Interface



■ DALI USB 485 Master

- **Model:** RK-DALIUSB-V3
- **Supported Protocol:** IEC62386.
- **Features:** Supports communication via USB and 485 bus, featuring DALI-2 DT6 dimming, DT8 TC dimming and color temperature adjustment, DT8 xy dimming and color adjustment, D4i, DALI-2 DT1 emergency power supply control, as well as address allocation, group control, scene setting, and parameter configuration retrieval.
- **Power Supply:** DC24V, higher than 0.5A.
- **DALI Output:** 15.6V, 200mA (Built-in DALI PS power supply).
- **Signal Input:** One USB interface is used for computer communication, and one 485 interface is used for signal input. The protocol can be customized.
- **Size:** 87X71X57mm.



Companion Software: DALI Controller



■ DALI Touch Panel

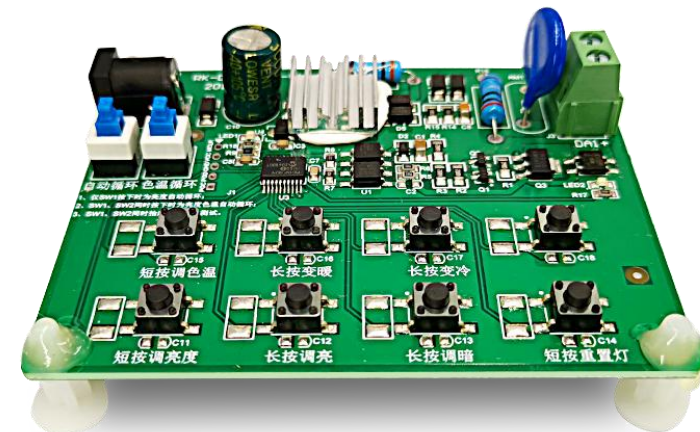
- **Model:** TDA-CCT
- **Supported Protocol:** IEC62386.
- **Features:** DALI-2 DT6 dimming, DT8 Tc dimming and color temperature adjustment. Supports single address, group, broadcast, and scene control, with long press and short press operations.
- **Power Supply:** Powered by DALI bus with a voltage range of 9.5V-22.5V, consuming less than 20mA.
- **Touch Buttons:** 3 buttons. The 1st button for dimming, the 2nd button for switching, and the 3rd button for color temperature adjustment.
- **Function Setting:** 8-digit dip switch for setting address, group, or scene functions.
- **Size:** 86X86X33mm
- **Installation Method:** 86-type box





■ DALI Production Testing Tool

- **Model:** RK-DALITEST-V1.
- **Supported Protocols:** IEC62386.
- **Features:** DALI on/off, dimming, and color temperature adjustment via buttons. Supports both manual and automated testing. Features data retrieval with success confirmation, mainly used for DALI power supply product development and production line testing.
- **Power Supply:** DC16-24V, 1A.
- **DALI Interface:** 15.6V, 200mA (Built-in DALI power supply output).
- **Buttons:** Eight buttons in total, short-press to adjust brightness, color temperature, long-press to brighten or darken, reset, etc.
- **Working Temperature:** -20~60 °C
- **Board Size:** 90X70X27mm
- **Whether With Enclosure:** Open Frame.



Shenzhen RICO Lighting Co., Ltd



CONTACT US



WeChat



Official Account

Shenzhen RICO Lighting Co., Ltd

Tel : (+86)18312522370 / 0755-82598815

Website : www.ricolighting.com

E-mail : liuyy@ricolighting.com

Address : Rm631, Bloc A, Huafeng Internet Creative Park,
Baoan District, Shenzhen, China