



TESTED PRODUCTS
EFFICIENT SERVICE
TRUSTED BRAND

An ISO 9001: 2015 Company

Product Catalog

Earthing & Lightning Protection System





AXIS ELECTRICAL COMPONENTS (I) P. LTD.

Our Vision

To be a leading global enterprise providing innovative & value based solutions in the Electrical & Energy Sector.

Our Mission

AXIS is committed to deliver excellence and superior value to our customers, shareholders, employees and society at large.

Our mission is driven through the 4 pillars of:

- 1. Customer Centricity:** To become the "Supplier of Choice", delivering products and services and creating value for our customers.
- 2. People Centricity:** To be the "Employer of Choice", nurturing and developing talent, fostering teamwork & capability with a high sense of pace, passion and pride driven by value & culture.
- 3. Community Centricity:** To be recognized as a responsible corporate citizen through facilities, being legally compliant and driven by a strong corporate governance.
- 4. Business & Technology Centricity:** To drive innovative, efficient & effective systems, processes and delivery backbone backed by technology for a sustainable and scalable business growth and value.

Company Profile

Leading Manufacturer & Exporter

Axis is the leading Indian Manufacturer & Exporter of a wide range of Electrical Components used in Electrical Installations and in the Equipment Building industry. Our main customer base consist of Distributors/Wholesalers of Electrical Products, Electrical Contractors & Installers, Equipment Manufacturers, Maintenance Companies and Government Authorities.

Exports to more than 80 Countries Worldwide

Over the years, Axis has supplied high quality and tested products to thousands of customers in over 80 countries. As a result, the Axis brand has become synonymous with Quality.

International Certifications

Axis invests heavily in continuous improvements in its products and manufacturing processes. This allows Axis to always be ahead of the curve through certifications and approvals from around the world. Products manufactured by Axis follow widely accepted international such as BS, DIN, UL, NFC, AS/NZ & Indian Standard (IS). CRISIL India, an S&P subsidiary, rated Axis as having the highest performance capabilities and strong financial strength.

Constant Improvement

Axis's dual focus on foreseeing customer requirements and looking at the future of the industry, translates to a continuous desire to evolve and upgrade our product offerings.

Quality Management

Our goal is to provide each customer with products, systems and services that meet the highest standards of quality. To assure quality management, Axis has achieved an ISO 9001 Certification.

Introduction

--- 02

EARTHING EQUIPMENTS

04

EARTH RODS

Copper Bonded Earth Rods (Threaded)
Copper Bonded Earth Rods (Threaded) Kit
Copper Bonded Earth Rods (Unthreaded)
Copper Bonded Earth Rods (Unthreaded) Kit
Pure Copper Earth Rods (Threaded)
Solid Copper Earth Rods (Internal Threaded)
Stainless Steel Earth Rod (Internal Threading)

--- 04
--- 05
--- 06
--- 07
--- 08
--- 09
--- 10



Index

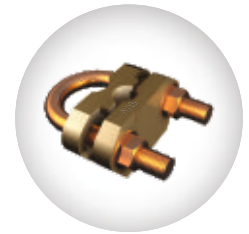
FITTINGS

ROD CLAMPS & EARTH PITS

11

Rod To Tape Clamp - Type 'A'
Rod To Cable Clamp - Type 'G'
Split Connector Clamp - Type 'B' (For Unthreaded Rods)
Split Connector Clamp - Type 'B' (For Threaded Rods)
Split Connector Clamp - Type 'B' (Adjustable)
U-bolt Rod Clamps - Type 'E' - Single Plate
U-bolt Rod Clamps - Type 'E' With Double Plate
U-Bolt Rod Clamps
U-bolt Rod Clamps 3 Conductor Type
Rebar Clamp
Cross clamps for above and underground connection
Cross Clamps For Above Ground
Rod To Conductor Clamps
Test Joint(Disconnecting Clamps)
Test Joint
Earth Rod Seal - Single & Double Flange
Light Weight Plastic Earth Pit
Concrete Earth Pit
Earth Plate
Earth Lattice

--- 11
--- 11
--- 12
--- 12
--- 12
--- 13
--- 13
--- 13
--- 14
--- 14
--- 15
--- 16
--- 16
--- 17
--- 18
--- 19
--- 20
--- 23
--- 24
--- 25



BONDS & CLAMPS

26

Watermain Pipe Bond
B Bond
RWP Bond
Tower Earth Bond With Plate
Tower Earth Bond Without Plate
Tower Earth Bond - Direct Clamping Type
Pipe Clamp
Pipe Clamp U Bolt Type For Bigger Pipe Sizes
Earthing Clamp - Type EC
Prepunched Earthing Straps
Earth Boss
Earth Points

--- 26
--- 26
--- 26
--- 27
--- 27
--- 28
--- 28
--- 29
--- 29
--- 29
--- 30
--- 30



LIGHTNING PROTECTION SYSTEM

FLAT TAPE SYSTEM

31

Round Pointed Air Rod
Multiple Points
Elevation Rod
Air Terminal Base
Ridge Saddle
Strike Pad
Rod Brackets
Rod To Tape Coupling
Rod To Cable Coupling

--- 31
--- 31
--- 32
--- 33
--- 33
--- 33
--- 34
--- 34
--- 34



FASTENERS & FIXINGS

TAPE FIXING

- Tape Clip With & Without Base
- D.C Tape Clip
- Glue Down Plastic Dc Tape Clip
- Square Tape Clamp
- Oblong Test Clamp
- Plate Test Clamp
- Bi-metallic Connector Tape To Tape
- Bi-metallic Connector Tape To Conductor
- Bi-metallic Connector Conductor To Conductor

CIRCULAR CONDUCTOR SYSTEM

- Air Terminal Base
- Multiple Function Air Terminal Base
- Heavy Duty Conductor Saddle
- One Hole Clip
- Push In Roof Conductor
- Square Clamp
- Tee Clamp
- Test Clamp
- Square Clamp With Combination
- Back Plate Holdfast Stem

EARTHING CONDUCTORS

- Bare Copper Tape
- PVC Covered Copper Tape
- Tinned Copper Tape
- PVC Covered Tinned Copper Tape
- Hard Drawn Copper Bar
- Flexible Copper Braid
- Flexible Tinned Copper Braid
- Flexible Connectors
- Bare Aluminium Tape
- PVC Covered Aluminium Tape
- Bare Stranded Copper Conductor
- Bare Stranded Copper Conductor With Tinned Plated
- PVC covered Soft Drawn Copper conductor.
- PVC Covered Stranded Copper Conductor With Tinned Plated.
- Copper Clad Steel Stranded Conductor

EARTH BAR & DISCONNECTING LINK

- Disconnecting Link
- Earth Bars
- Earth Bars With Single Disconnecting Link
- Earth Bars With Twin Disconnecting Link
- Earth Bus Bar For Telecommunication
- 'C' Type Connectors - Compression Type

FASTENERS & FIXINGS

- Hexagon Head Set Screw
- Hexagon Nut
- Flat Round Washer
- Spring Washer
- Nail
- Wood Screw
- Plastic Wall Plugs

35

- 35
- 35
- 36
- 36
- 37
- 37
- 38
- 38
- 38



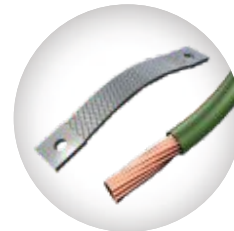
39

- 39
- 39
- 40
- 40
- 40
- 41
- 41
- 41
- 42
- 42



43

- 43
- 43
- 44
- 44
- 44
- 45
- 45
- 46
- 46
- 47
- 47
- 48
- 48
- 49
- 49
- 50



52

- 52
- 52
- 52
- 53
- 53
- 53
- 54



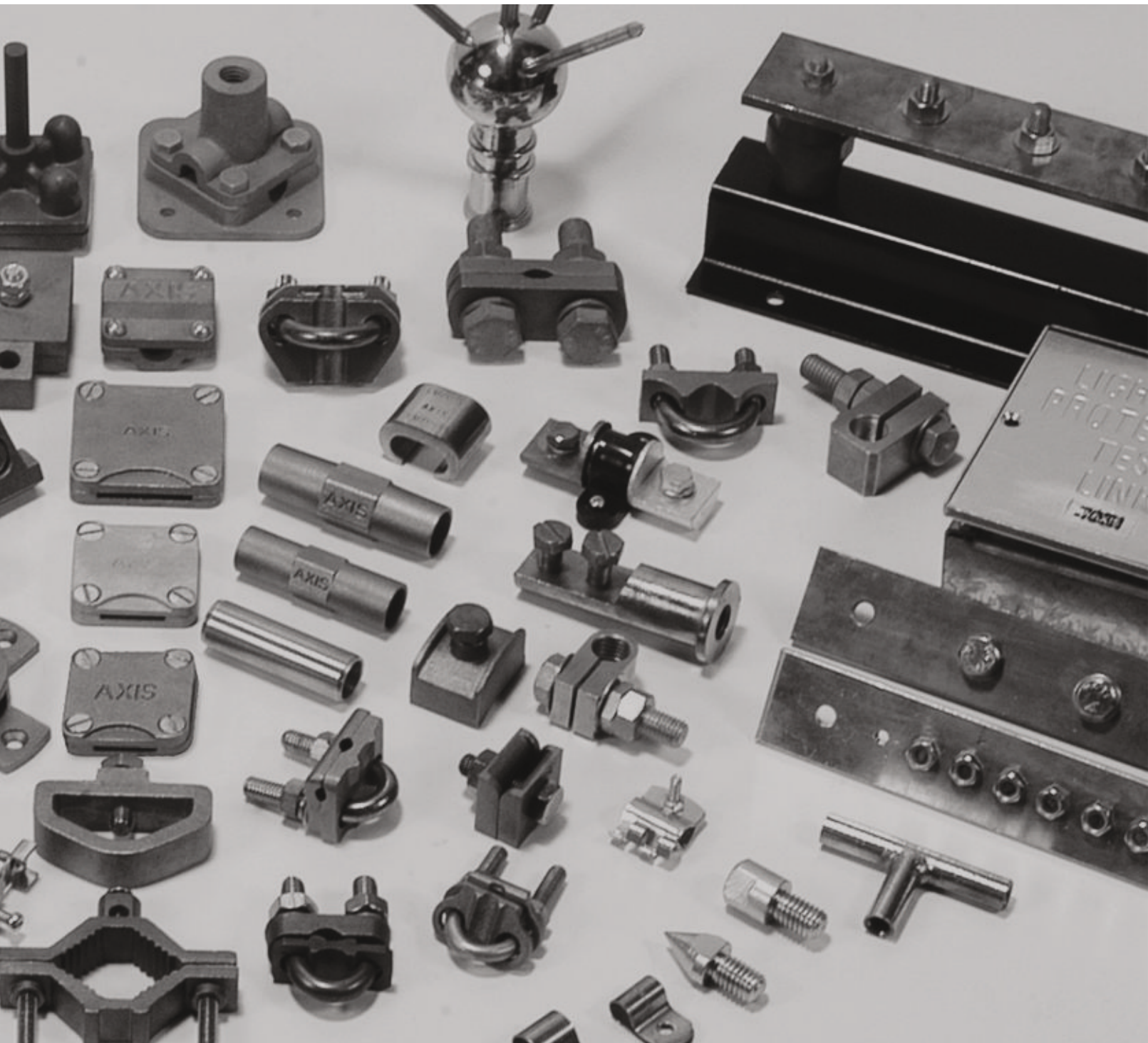
55

- 55
- 55
- 55
- 55
- 55
- 56
- 56
- 56





Earthing & Lightning Protection System



Over the years, AXIS has been supplying a wide range of quality products for Earthing and Lightning Protection.

AXIS Lightning Protection Systems are designed to protect structures and systems against Lightning damage. AXIS tests its lightning protection products in accordance with Major international standards such as IEC, BS EN, UL & IS. AXIS also provides design solutions including a proprietary risk assessment software complying to IEC 62305-2.

AXIS Earthing & Lightning protection systems are being used in core sectors of the economy such as Power, Industrial, Oil and many more.

Copper Bonded Earth Rods (Threaded)



Copper Bonded Earth Rods - Sectional

AXIS Copper Bonded Earth Rods have a core of high tensile low carbon steel with each rod made by molecularly bonding 99.9% Pure Electrolytic Copper. Threads on the rods are normally formed by a roll threading process giving strength to the threads & eliminating risk of chipping of threads while driving the rod into the ground. These rods are tested in accordance to UL 467 and IEC 62561-2 Standard.

Ground Rod Data			E-Code
Rod Dia (mm)	Thread Size (Inch)	Total Length (mm)	
12.7	1/2"	2440	CBR1224TUL
12.7	1/2"	3000	CBR1230TUL
12.7	1/2"	3600	CBR1236TUL
12.7	9/16"	2440	CBR1424TUL
12.7	9/16"	3000	CBR1430TUL
12.7	9/16"	3600	CBR1436TUL
14.2	5/8"	2440	CBR1624TUL
14.2	5/8"	3000	CBR1630TUL
14.2	5/8"	3600	CBR1636TUL
16	5/8"	2440	CBR1824TUL
16	5/8"	3000	CBR1830TUL
16	5/8"	3600	CBR1836TUL
17.2	3/4"	2440	CBR2024TUL
17.2	3/4"	3000	CBR2030TUL
17.2	3/4"	3600	CBR2036TUL
19	3/4"	2440	CBR2224TUL
19	3/4"	3000	CBR2230TUL
19	3/4"	3600	CBR2236TUL
25	1"	2440	CBR2524TUL
25	1"	3000	CBR2530TUL
25	1"	3600	CBR2536TUL



NOTE:

1. COUPLER CAN BE PROVIDED SEPARATELY ON REQUEST.
2. DIFFERENT LENGTHS CAN BE PROVIDED ON REQUEST.



Copper Bonded Earth Rods (Threaded) Kit



Axis Copper Bonded Earth Rod Kit includes 2 Earth Rods and 1 Coupler. This kit is UL Listed as a set.

Ground Rod Data			E-Code
Rod Dia (mm)	Thread Size (Inch)	Total Length (mm)	
12.7	1/2"	2440 (1220+1220)	CBR1224TKUL
12.7	1/2"	3000 (1500+1500)	CBR1230TKUL
12.7	1/2"	3600 (1800+1800)	CBR1236TKUL
12.7	9/16"	2440 (1220+1220)	CBR1424TKUL
12.7	9/16"	3000 (1500+1500)	CBR1430TKUL
12.7	9/16"	3600 (1800+1800)	CBR1436TKUL
14.2	5/8"	2440 (1220+1220)	CBR1624TKUL
14.2	5/8"	3000 (1500+1500)	CBR1630TKUL
14.2	5/8"	3600 (1800+1800)	CBR1636TKUL
16	5/8"	2440 (1220+1220)	CBR1824TKUL
16	5/8"	3000 (1500+1500)	CBR1830TKUL
16	5/8"	3600 (1800+1800)	CBR1836TKUL
17.2	3/4"	2440 (1220+1220)	CBR2024TKUL
17.2	3/4"	3000 (1500+1500)	CBR2030TKUL
17.2	3/4"	3600 (1800+1800)	CBR2036TKUL
19	3/4"	2440 (1220+1220)	CBR2224TKUL
19	3/4"	3000 (1500+1500)	CBR2230TKUL
19	3/4"	3600 (1800+1800)	CBR2236TKUL
25	1"	2440 (1220+1220)	CBR2524TKUL
25	1"	3000 (1500+1500)	CBR2530TKUL
25	1"	3600 (1800+1800)	CBR2536TKUL

Coupler for Ground Rod

Nominal Thread Size (Inch)	E-Code
1/2"	CC0012TUL
9/16"	CC0916TUL
5/8"	CC0058TUL
3/4"	CC0034TUL
1"	CC0001TUL

Driving Bolt

Thread Size (Inch)	E-Code
1/2"	DB0012
9/16"	DB0916
5/8"	DB0058
3/4"	DB0034
1"	DB0001

NOTE:

1. COUPLER SHOULD BE USE WITH THE RESPECTIVE ROD (THREAD) SIZE.
2. COUPLER CAN BE PROVIDED SEPARATELY ON REQUEST.



Copper Bonded Earth Rods (Unthreaded)

AXIS Copper Bonded Earth Rods have a core of high tensile low carbon steel with each rod made by molecularly bonding 99.9% Pure Electrolytic Copper. These rods are tested in accordance to UL 467 and IEC 62561-2 Standard.

Ground Rod Data			E-Code
Rod Dia (mm)	Thread Size (Inch)	Total Length (mm)	
12.7	9/16"	2400	CBR1424PUL
12.7	9/16"	3000	CBR1430PUL
12.7	9/16"	3600	CBR1436PUL
14.2	5/8"	2400	CBR1624PUL
14.2	5/8"	3000	CBR1630PUL
14.2	5/8"	3600	CBR1636PUL
16	5/8"	2400	CBR1824PUL
16	5/8"	3000	CBR1830PUL
16	5/8"	3600	CBR1836PUL
17.2	3/4"	2400	CBR2024PUL
17.2	3/4"	3000	CBR2030PUL
17.2	3/4"	3600	CBR2036PUL
19	3/4"	2400	CBR2224PUL
19	3/4"	3000	CBR2230PUL
19	3/4"	3600	CBR2236PUL
25	1"	2400	CBR2524PUL
25	1"	3000	CBR2530PUL
25	1"	3600	CBR2536PUL



NOTE:

1. COUPLER CAN BE PROVIDED SEPARATELY ON REQUEST.
2. DIFFERENT LENGTHS CAN BE PROVIDED ON REQUEST.



Copper Bonded Earth Rods (Unthreaded) Kit



The Axis Copper Bonded Earth Rod Kit includes 2 Grounds and 1 Coupler. This kit is UL Listed as a set.

Ground Rod Data		
Rod Dia (mm)	Total Length (mm)	E-Code
12.7	2440 (1220+1220)	CBR1424PKUL
12.7	3000 (1500+1500)	CBR1430PKUL
12.7	3600 (1800+1800)	CBR1436PKUL
14.2	2440 (1220+1220)	CBR1624PKUL
14.2	3000 (1500+1500)	CBR1630PKUL
14.2	3600 (1800+1800)	CBR1636PKUL
17.2	2440 (1220+1220)	CBR2024PKUL
17.2	3000 (1500+1500)	CBR2030PKUL
17.2	3600 (1800+1800)	CBR2036PKUL
25	2440 (1220+1220)	CBR2524PKUL
25	3000 (1500+1500)	CBR2530PKUL
25	3600 (1800+1800)	CBR2536PKUL



Couplers Press Fit For Unthreaded Rods

Made Up Of Copper Alloy

Nominal Size (Inch)	E-Code
1/2"	CC0916PUL
5/8"	CC0058PUL
3/4"	CC0034PUL
1"	CC0001PUL

NOTE:

1. COUPLER SHOULD BE USED WITH THE RESPECTIVE ROD SIZE.
2. COUPLER CAN BE PROVIDED SEPARATELY ON REQUEST.



Pure Copper Earth Rods (Threaded)



AXIS Solid Copper Earth Rods are made from high conductivity hard drawn copper. They are ideally suited to soil conditions that are very corrosive, such as soil with high salt & moisture content. These rods are also available with tin plating in order to reduce the risk of oxidation & thus increasing shelf life. Threads on the rods are normally formed by a roll threading process giving strength to the threads & eliminating risk of chipping of threads while driving the rod into the ground.

These rods are tested in accordance to UL 467 and IEC 62561-2 Standard.

Material : EC Grade Copper
 Finish : Natural and Clean



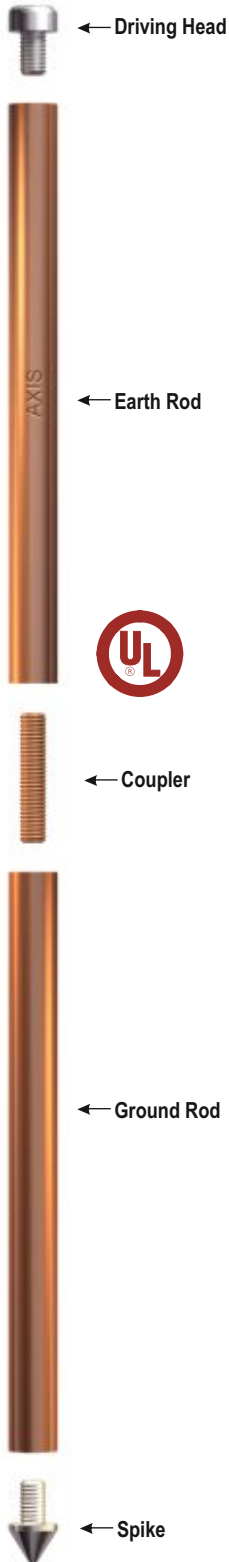
Ground Rod Data			E-Code
Rod Dia (mm)	Thread Size (Inch)	Total Length (mm)	
12.5	9/16"	1200	ARC1412
		1500	ARC1415
		1800	ARC1418
		2400	ARC1424
		3000	ARC1430
14.2	5/8"	1200	ARC1612
		1500	ARC1615
		1800	ARC1618
		2400	ARC1624
		3000	ARC1630
17.2	3/4"	1200	ARC2012
		1500	ARC2015
		1800	ARC2018
		2400	ARC2024
		3000	ARC2030
25	1"	1500	ARC2515
		3000	ARC2530

NOTE: GRAY MARK PRODUCT ARE UL LISTED (UL 467)



Solid Copper Earth Rods (Internal Threaded)

Material : EC Grade Copper
 Finish : Natural and Clean



Ground Rod Data			E-Code
Rod Dia (mm)	Thread Size (Inch)	Total Length (mm)	
14	M10	1200	SCR1412
		1500	SCR1415
		1800	SCR1418
		2400	SCR1424
		3000	SCR1430
15	M10	1200	SCR1512
		1500	SCR1515
		1800	SCR1518
		2400	SCR1524
		3000	SCR1530
16	M10	1200	SCR1612
		1500	SCR1515
		1800	SCR1518
		2400	SCR1524
		3000	SCR1530
20	M12	1200	SCR2012
		1500	SCR2015
		1800	SCR2018
		2400	SCR2024
		3000	SCR2030
25	M12	1200	SCR2512
		1500	SCR2515
		1800	SCR2518
		2400	SCR2524
		3000	SCR2530

NOTE: GRAY MARK PRODUCT ARE UL LISTED (UL 467)

Coupler For Ground Rod

Thread Size in Metric	E-Code
M10	Dc0010
M12	DC0012

Driving Head

Made Up Of Re-usable High Tensile Steel Can Be Used Many Times Over And Suitable For Power Hammering.

Thread Size in Metric	E-Code
M10	Dh0010
M12	DH0012

Spike

Made Up Of Re-usable High Tensile Steel

Thread Size in Metric	E-Code
M10	Ds0010
M12	DS0012



Stainless Steel Earth Rod (Internal Threading)



← Driving Stud



← Earth Rod



← Coupler



← Earth Rod



← Spike

**STAINLESS STEEL EARTH ROD
(Internal threading)**

Stainless Steel earth rods are used to overcome condition of galvanic corrosion which may be caused due to dissimilar metals being buried near by. Solid copper rods are likely to react adversely with the buried metal, thus allowing corrosion to take place. To overcome this situation, stainless steel rods which are more anodic than copper & highly resistant to corrosion are recommended. These rods are manufactured from austenitic stainless steel to BS970, grade 316.

Rod Dia (mm)	Total Length (mm)	Thread Size (mm)	E-Code
16	1500	M10	SER1615
16	1800	M10	SER1618
16	2400	M10	SER1624
20	1500	M12	SER2015
20	1800	M12	SER2018
20	2400	M12	SER2024

Driving Head

Made Up Of Re-usable High Tensile Steel Can Be Used Many Times Over And Suitable For Power Hammering.

Thread Dia	E-Code
M10	DH0010
M12	DH0012

Internal Coupling Dowel For Stainless Steel Rods

Made Up Of Stainless Steel

Thread Dia	E-Code
M10	DC0010S
M12	DC0012S

Galvanised Steel Earth Rod - Unthreaded & Pointed

These Rods Are Made Up Of High Strength Low Carbon Steel And Hot Dipped Galvanised . This Design Of Rod Is Actually Cost Effective Option For Earthing

Rod Dia (mm)	Total Length (mm)	E-Code
12	1200	GER1212
12	1500	GER1215
12	1800	GER1218
12	2400	GER1224
12	3000	GER1230
14	1200	GER1412
14	1500	GER1415
14	1800	GER1418
14	2400	GER1424
14	3000	GER1430
16	1200	GER1612
16	1500	GER1615
16	1800	GER1618
16	2400	GER1624
16	3000	GER1630
20	1200	GER2012
20	1500	GER2015
20	1800	GER2018
20	2400	GER2024
20	3000	GER2030



GALVANISED STEEL EARTH ROD



Clamps

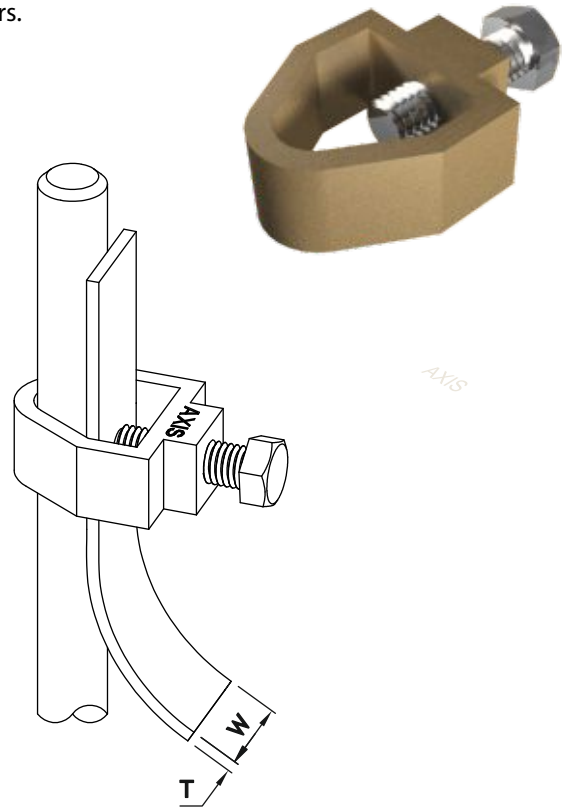
Suitable for use with a combination of rod size and tape or conductors.

Rod To Tape Clamp - Type 'A'

Material : High Grade Copper Alloy
 Bolt : Stainless Steel - SS304

Rod Dia mm	Tape Size (W x T) mm	E-Code
9.5 to 12.5	20 x 2	RTC0920A
	25 x 3	RTC0925A
14.2 to 16	25 x 3	RTC1625A
	30 x 3	RTC1630A
	50 x 6	RTC2050A
17.2 to 20	25 x 3	RTC1625A
	30 x 3	RTC1630A
	50 x 6	RTC2050A
20 to 25	30 x 3	RTC2030A
	50 x 6	RTC2050A

NOTE : OTHER SIZES AVAILABLE ON REQUEST



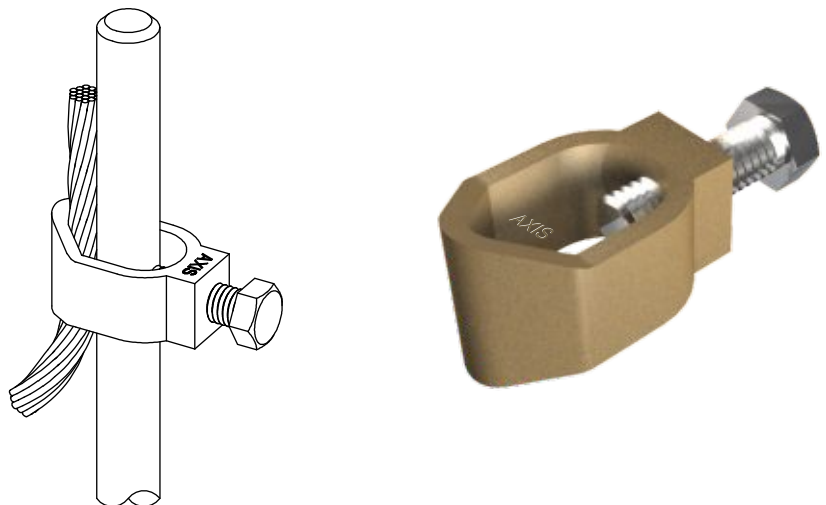
Rod To Cable Clamp - Type 'G'

Suitable for use with a combination of rod size and conductors

Material : High Grade Copper Alloy
 Bolt : Stainless Steel - SS304

Rod Dia mm	Conductor Range mm2	E-Code
9.5 to 12.5	6 - 35	RCC935G
12.5 to 14.2	16 - 70	RCC1470G
14.2 to 17.2	16 - 95	RCC1695G
17.2 to 20	50 - 95	RCC2095G

NOTE : OTHER SIZES AVAILABLE ON REQUEST



Split Connector Clamp - Type 'B' (For Unthreaded Rods)

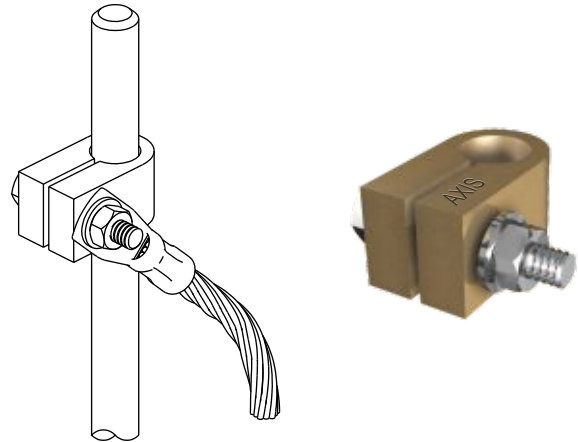
Most suitable for unthreaded rods.

Material : High Grade Copper Alloy

Bolt : Stainless Steel - SS304

Rod Dia mm	E-Code
14.2	SCG0014B
15	SCG0015B
16	SCG0016B
17.2	SCG0017B
19	SCG0019B
20	SCG0020B

NOTE : CABLE LUG IS NOT A PART OF THE CLAMP

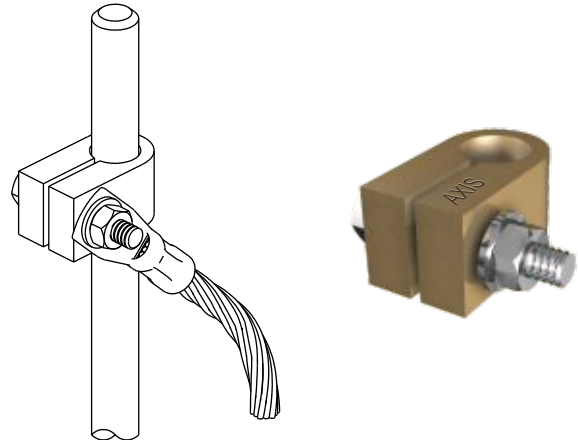


Split Connector Clamp - Type 'B' (For Threaded Rods)

Most suitable for threaded rods.

Rod Dia mm	E-Code
5/8"	SCG0016BT
3/4"	SCG0020BT

NOTE : CABLE LUG IS NOT A PART OF THE CLAMP



Split Connector Clamp - Type 'B' (Adjustable)

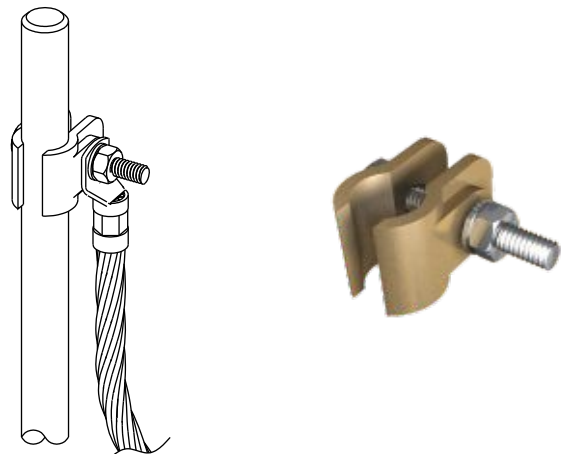
Most suitable for unthreaded rods.

Material : High Grade Copper Alloy

Bolt : Stainless Steel - SS304

Rod Dia mm	E-Code
9.5 to 14.2	SCG0914A
16 to 20	SCG1620A

NOTE : CABLE LUG IS NOT A PART OF THE CLAMP



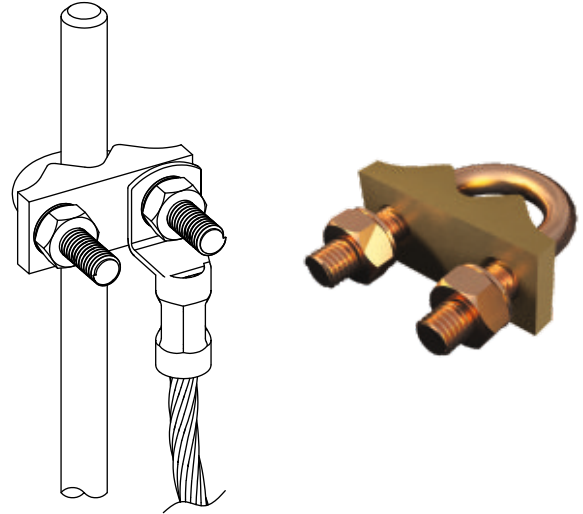
U-bolt Rod Clamps - Type 'E' - Single Plate

Suitable for use with a combination of rod to conductors

Material : High Grade Copper Alloy
 Bolt : Copper Plated Copper Alloy

Rod Dia mm	E-Code
9.5 to 12.5	URC1225E
14.2 to 16	URC1625E
17.2 to 20	URC2025E
20 to 25	URC2550E

NOTE : CABLE LUG IS NOT A PART OF THE CLAMP

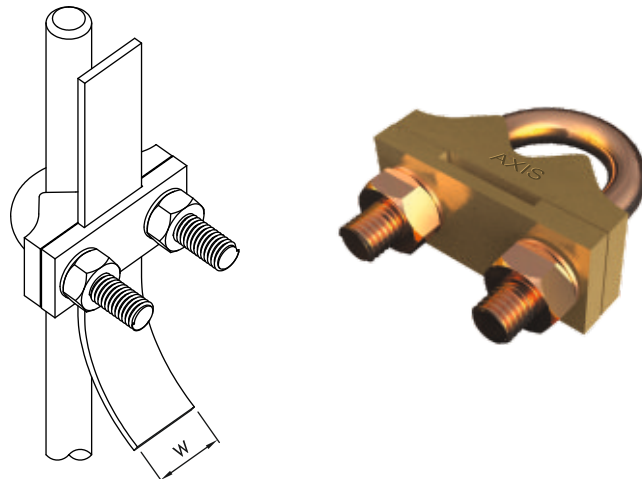


U-bolt Rod Clamps - Type 'E' with Double Plate

suitable for connecting copper tapes to the rods

Material : High Grade Copper Alloy
 Bolt : Copper Plated Copper Alloy

Rod Dia mm	Tape Size 'W' mm	E-Code
9.5 - 12.5	25	URC1225EP
14.2 to 16	25	URC1625EP
17.2 to 20	25	URC2025EP
20 to 25	50	URC2550EP

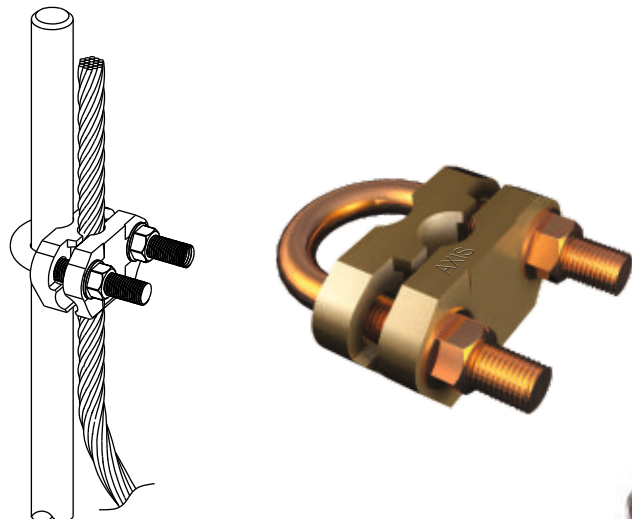


U-Bolt Rod Clamps

suitable for connecting copper conductor to the rod

Material : High Grade Copper Alloy
 Bolt : Copper Plated Copper Alloy

Rod Dia mm	Conductor Size In mm ²	E-Code
9.5 - 12.5	16 - 35	GUV935
14 - 16	16 - 35	GUV1435
14 - 16	16 - 95	GUV1695
14 - 20	35 - 185	GUV20185
16 - 20	120 - 300	GUV20300
20 - 25	300 - 500	GUV20500



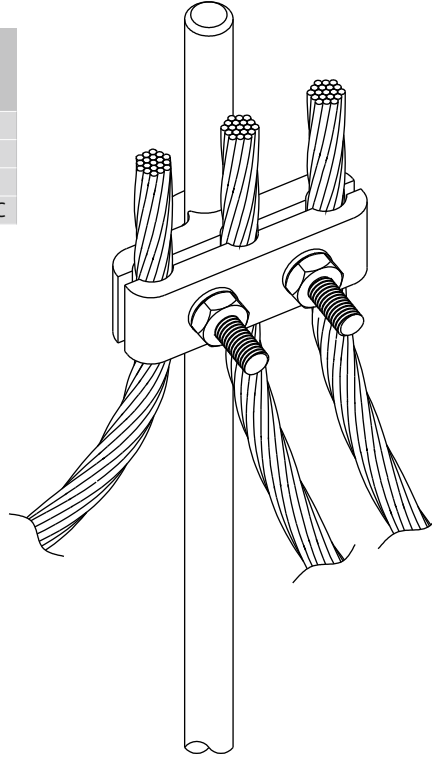
U-bolt Rod Clamps 3 Conductor Type

Suitable for connecting copper conductors to the rod

Material : High Grade Copper Alloy

Bolt : Copper Plated Copper Alloy

Rod Dia mm	Conductor Size In mm ²	E-Code
12.5 - 16	16 - 35	GUV16353C
12.5 - 16	50 - 70	GUV16703C
16 - 20	50 - 95	GUV20953C
20 - 25	120 - 150	GUV251503C



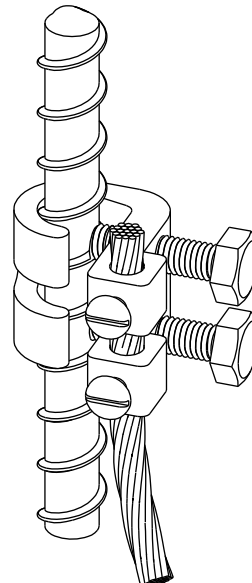
Rebar Clamp

Suitable to connect rebar rod to conductor

Material : High Grade Copper Alloy

Bolt : Stainless Steel - SS304

Conductor Diameter mm	Rebar Diameter mm	E-Code
8	8 - 18mm	RBC818
	18 - 38mm	RBC1838



Cross clamps for above and underground connection

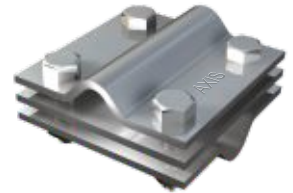
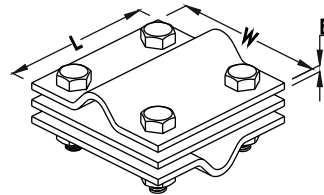
Suitable for cross and T connections between conductors

Material: Brass, Stainless Steel and Galvanized Mild Steel | Fastners: Stainless Steel.

Type : 1

Suitable to connect rod to rod conductor (with intermediate plate)

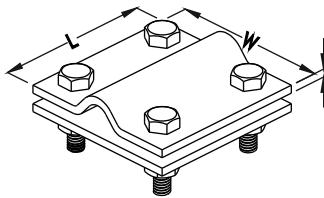
Dimension 'L x W x B'	Rod Size In mm	E-Code
60 x 60 x 3	8 - 10	RRC663P
60 x 60 x 4	8 - 10	RRC664P



Type : 2

Suitable to connect rod to flat conductor (without intermediate plate)

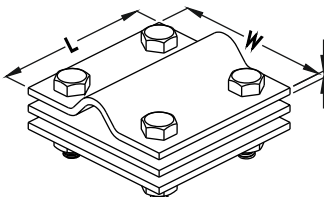
Dimension 'L x W x B'	Rod Size In mm	Tape Size In mm	E-Code
70 x 70 x 3	8 - 10	30 x 3	RFC773
70 x 70 x 4	8 - 10	40 x 3	RFC774



Type : 3

Suitable to connect rod to flat conductor (with intermediate plate) up to 40mm

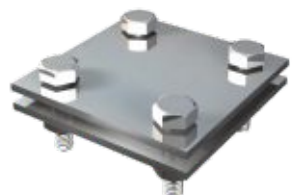
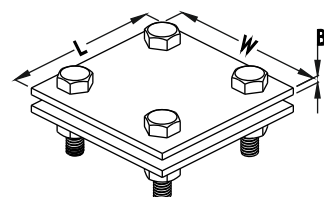
Dimension 'L x W x B'	Rod Size In mm	Tape Size In mm	E-Code
70 x 70 x 3	8 - 10	30 / 40	RFC773P
70 x 70 x 4	8 - 10	30 / 40	RFC774P



Type : 4

Suitable to connect flat to flat conductor (without intermediate plate)

Dimension 'L x W x B'	Tape Size In mm	E-Code
60 x 60 x 3	30 / 30	FFC663
70 x 70 x 4	40 / 40	FFC774



Cross Clamps For Above Ground

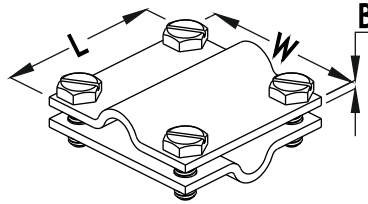
Suitable for cross and T connections between conductors

Material: Brass, Stainless Steel and Galvanized Mild Steel | Fastners: Stainless Steel.

Type : 1

Suitable to connect rod to rod conductor (without intermediate plate)

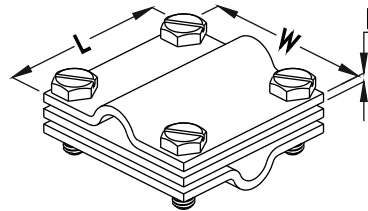
Dimension 'L x W x B'	Rod / Rod Size In mm	E-Code
50 x 50 x 2.5	8 - 10	CCC552



Type : 2

Suitable to connect rod to rod conductor with intermediate plate

Dimension 'L x W x B'	Rod / Rod Size In mm	E-Code
50 x 50 x 2.5	8 - 10	CCC552P



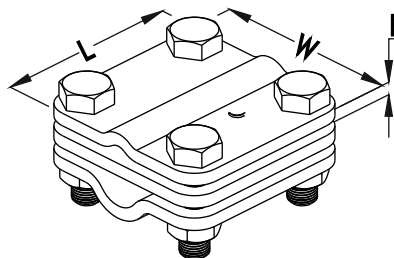
Rod To Conductor Clamps

Suitable to make cross & parallel connection of solid, stranded & flat conductors with earth rods,

Tape or stranded conductors to earth rods.

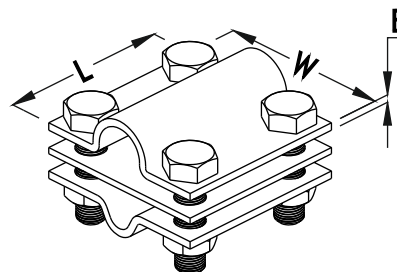
Type : 1

Dimension 'L x W x B'	Rod / Rod Size In mm	E-Code
75 x 75 x 5	8 - 12.5 / 40	RFC775P



Type : 2

Dimension 'L x W x B'	Rod / Rod Size In mm	E-Code
70 x 70 x 3	8 - 12.5 / 40	RRFC773P



Test Joint (Disconnecting Clamps)

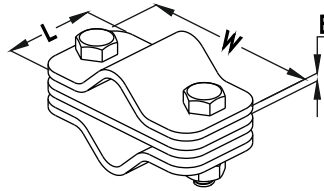
Suitable to connect earth rods to down conductors

Material: Brass, Stainless Steel and Galvanized Mild Steel | Fastners: Stainless Steel.

Type : 1

Suitable to connect rod to rod conductor with intermediate plate

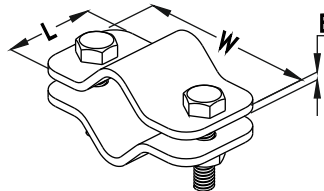
Dimension 'L x W x B'	Rod / Rod Size In mm	E-Code
30 x 58 x 2.5	8 - 10 / 8 - 10	RRC532P



Type : 2

Suitable to connect rod to rod conductor without intermediate plate

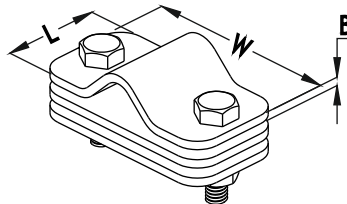
Dimension 'L x W x B'	Rod / Rod Size In mm	E-Code
30 x 58 x 2.5	8 - 10 / 8 - 10	RRC532



Type : 3

Suitable to connect rod to flat conductor with intermediate plate

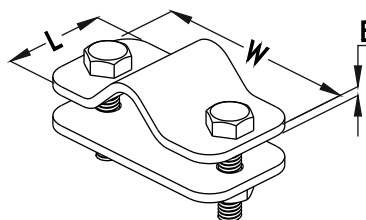
Dimension 'L x W x B'	Rod / Rod Size In mm	Tape Size In mm	E-Code
30 x 58 x 2.5	8 - 10 / 8 - 10	30	RFC532P



Type : 4

Suitable to connect rod to flat conductor without intermediate plate

Dimension 'L x W x B'	Rod / Rod Size In mm	Tape Size In mm	E-Code
30 x 58 x 2.5	8 - 10 / 8 - 10	30	RFC532



Test Joint

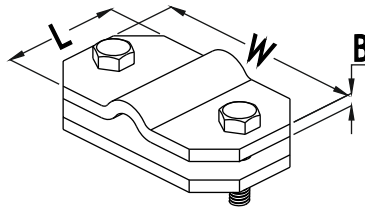
Fixed Earthing Terminals

Material: Brass, Stainless Steel and Galvanized Mild Steel | Fastners: Stainless Steel.

Type : 1

Two or three-part connection system with threaded base part

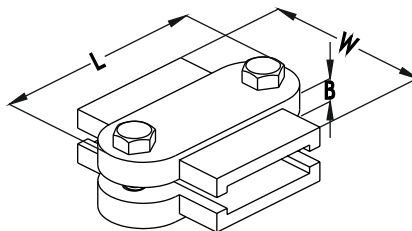
Dimension 'L x W x B'	Rod / Rod Size In mm	E-Code
30 x 58 x 2.5	8 - 10 / 8 - 10	RRC532P



Type : 2

Suitable to connect flat to flat conductor with two part

Dimension 'L x W x B'	Tape / Tape Size In mm	E-Code
58 x 54 x 8	30 / 30	FFC558



Earth Rod Seal - Single & Double Flange

The advantages this product brings are:

- Bigger contact surfaces compared to ground rods 50mm dia .
- High quality connect between ground rod and earth with a quality earth enhancement compound ease & rapidity of installation.
- Ability to pair with a variety of ground/earth inspection housings.
- Very high of corrosion resistance.
- Long life with stability of service over the life cycle.
- More effective conduction of Earthing / Grounding current.
- IEC recognized components as against other wide diameter (50 mm).
- Earthing / Grounding terminations available.
- Better water sealing ability due to moulded components.
- Suitable Earth Rod Diameter 12,14.2,15,17.2,19,20 mm.
- Suitable Earth Earth Pit size 245 x 245 x 200 & 300 x 300 x 300 mm.
- Standard Pipe 1 Mtr length provided for single & double flange.

Description	E-Code
Single Flange	AERSSF
Double Flange	AERSDF



Light Weight Plastic Earth Pit



Size	E-Code
245 x 245	EPP2424

Product Specification :

This Axis Polymer Earth housing pit is manufactured from heavy high-grade polypropylene for high strength & Stress levels to absorb a medium load. Stabilised against degradation by non-brittle and by sunlight to prevent cold weather damage. The light weight feature allows easy handling, storage and transportation, thus increasing installation efficiency. Termination area is increased by 100% due to simple locking of two units together, allowing deeper electrode connections to be made and reducing the effects from harmful voltage gradients.

Material : Polymer Body & Cover

Product Code : EPP2424

Dimensions : Outer Size : 245 mm (L) x 245 mm (W) x 195 mm (H)

Inner Size : 160 mm (L) x 160 mm (W) x 165 mm (H)

Weight : 1 kg (2.2 LBS)

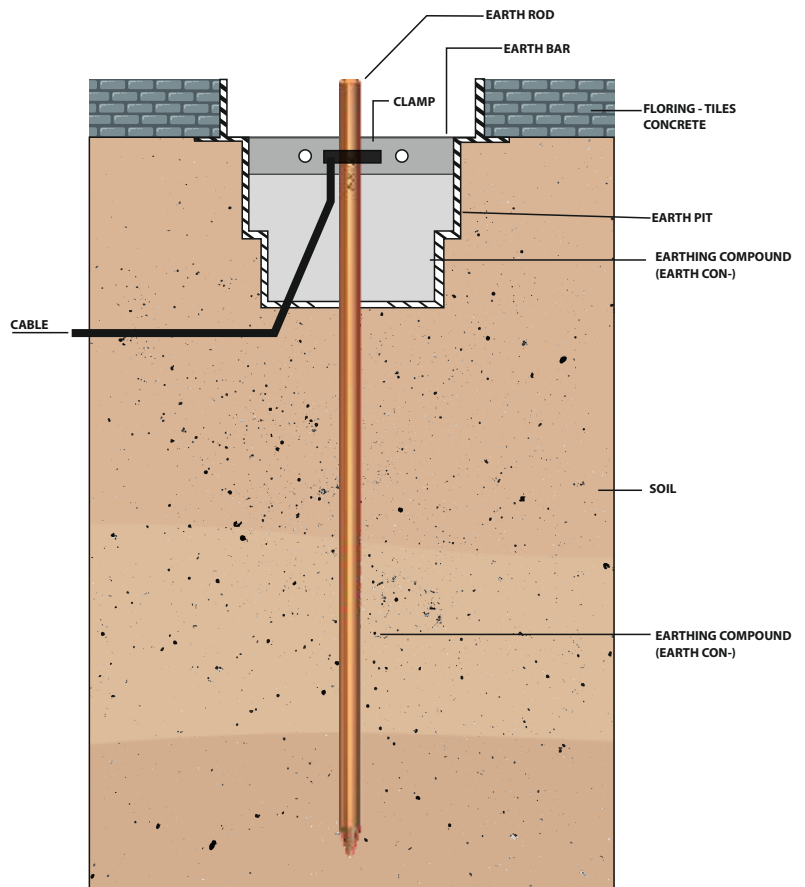
Suitable For Pipe In Pipe & Earth Rod

Certification :

Load Test Report, UV Stability & Other Test
Please contact us.

Compatibility :

IEC 62561-5(2018) Standard & Other Standard
Please contact us.



Light Weight Plastic Earth Pit

Size	E-Code
300 x 300	EPP3030



Product Specification :

This Axis Polymer Earth housing pit is manufactured from heavy high-grade polypropylene for high strength & Stress levels to absorb a maximum load of 5000kg. Stabilized against degradation by non-brittle and by sunlight to prevent cold weather damage. The light weight feature allows easy handling, storage and transportation, thus increasing installation efficiency. Termination area is increased by 100% due to simple locking of two units together, allowing deeper electrode connections to be made and reducing the effects from harmful voltage gradients.

Material : Polymer Body & Cover

Product Code : EPP3030

Dimensions : Outer Size : 308 mm (L) x 308 mm (W) x 215 mm (H)

Inner Size : 200 mm (L) x 200 mm (W) x 150 mm (H)

Weight : 2.5 kg (5.50 LBS)

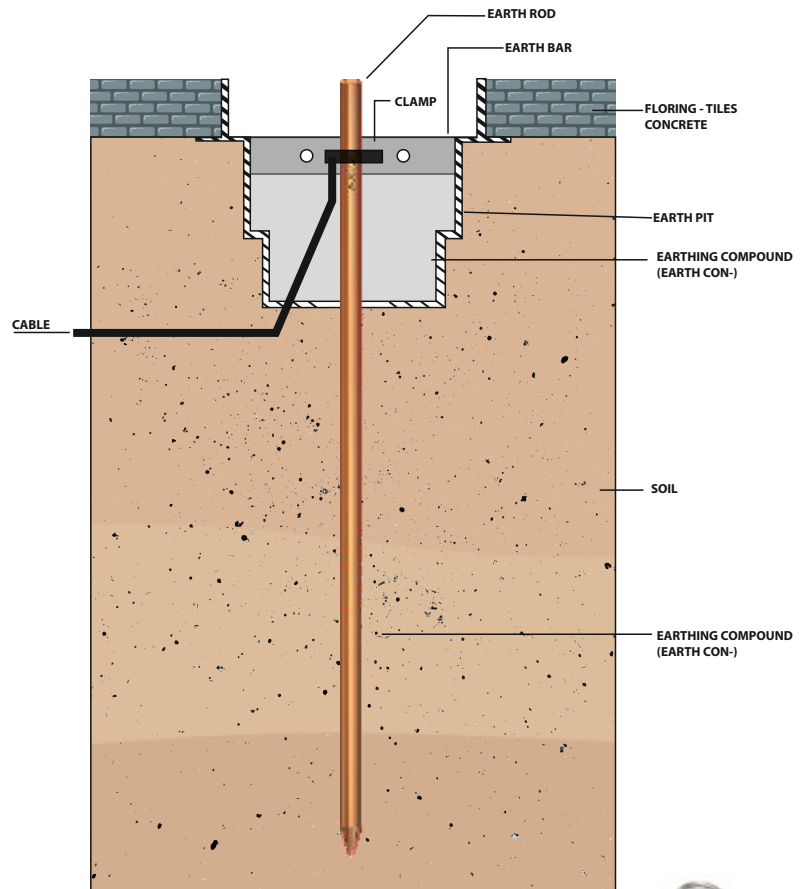
Suitable For Pipe In Pipe & Earth Rod

Certification :

Load Test Report, UV Stability & Other Test
Please contact us.

Compatibility :

IEC 62561-5(2018) Standard & Other Standard
Please contact us.



Light Weight Plastic Earth Pit

Size	E-Code
500 x 500	EPP5050



Product Specification :

This Product Specification : This Axis Polymer Earth housing pit is manufactured from heavy high-grade polypropylene for high strength & Stress levels to absorb a medium load. Stabilised against degradation by non-brittle and by sunlight to prevent cold weather damage. The light weight feature allows easy handling, storage and transportation, thus increasing installation efficiency. Termination area is increased by 100% due to simple locking of two units together, allowing deeper electrode connections to be made and reducing the effects from harmful voltage gradients.

Material : Polymer Body & Cover

Product Code : EPP5050

Dimensions : Outer Size : 500 mm (L) x 500 mm (W) x 315 mm (H))

Inner Size : 400 mm (L) x 400 mm (W) x 280 mm (H)

Weight : 5 kg (11 LBS)

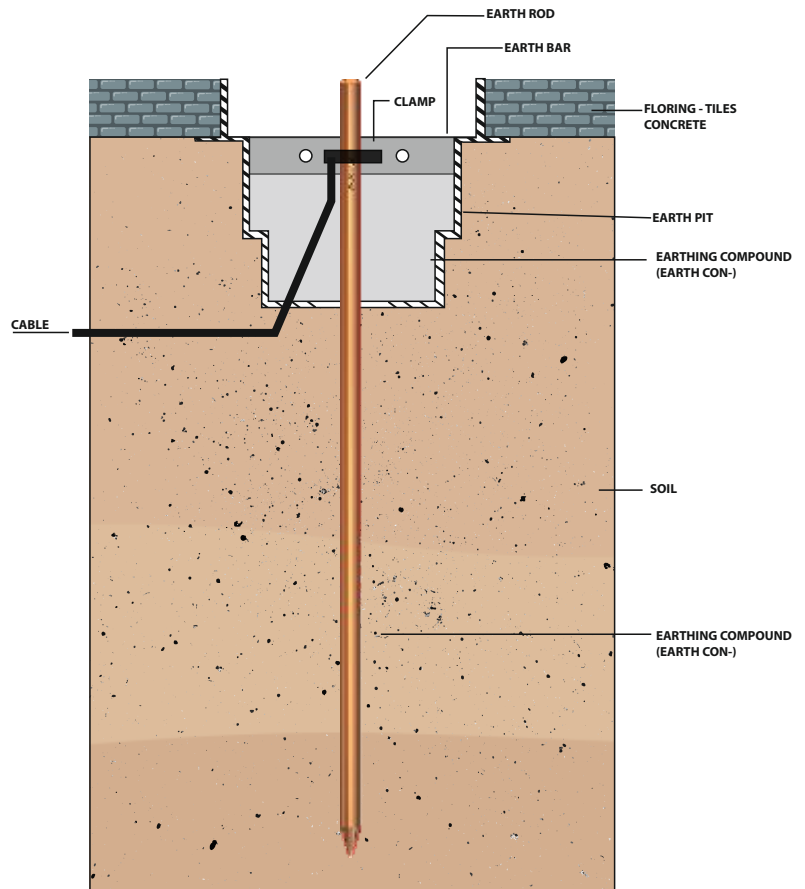
Suitable For Pipe In Pipe & Earth Rod

Certification :

Load Test Report, UV Stability & Other Test
Please contact us.

Compatibility :

IEC 62561-5(2018) Standard & Other Standard
Please contact us.

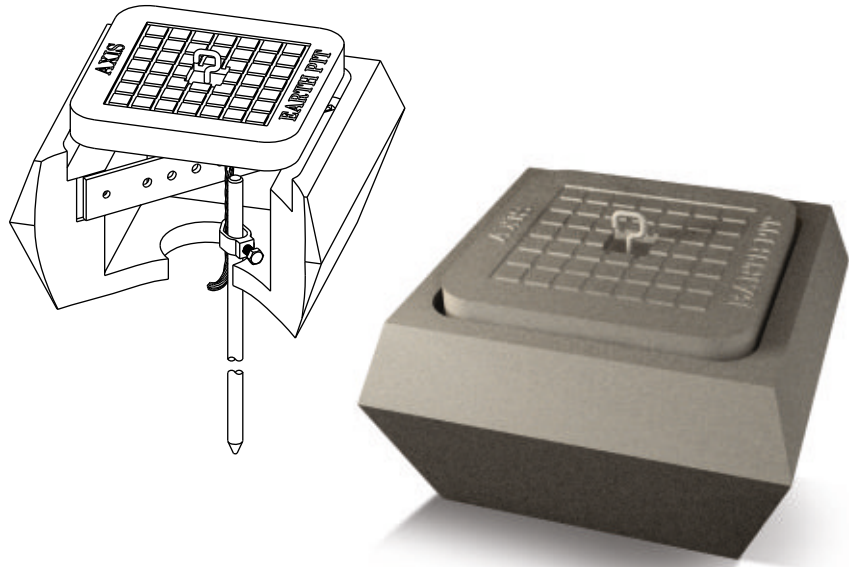


Concrete Earth Pit

The concrete earth pit is used for load ratings upto 4000 Kgs and is suitable for most types of earthing and lightning protection installations.

The Pit can have an earth bar fitted diagonally across in slots provided for multiple connections.

Description	E-Code
300 x 300	CEP3030



Earth Enhancing Compound

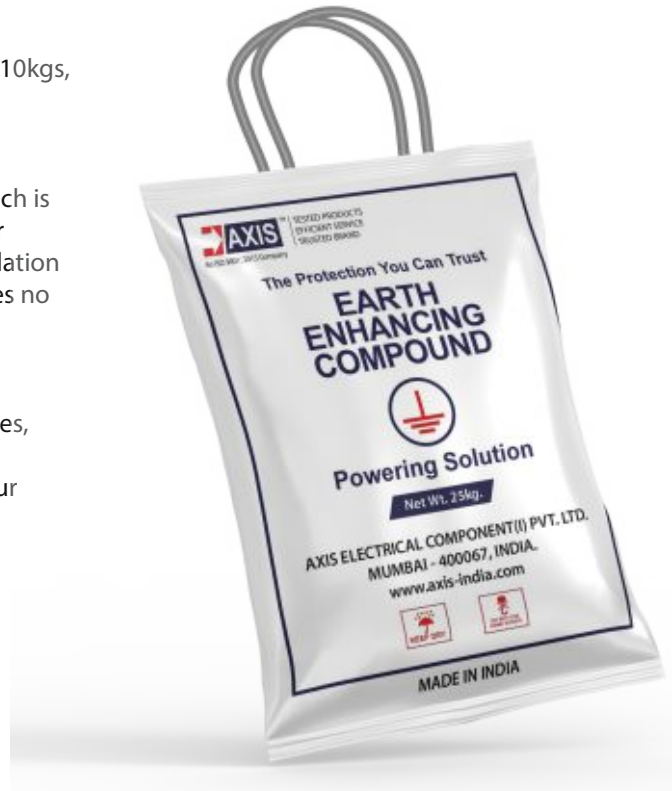
Standard Pack Size: 25kgs | Other Pack Sizes also available: 5kgs, 10kgs, 15kgs and 20kgs

Earth Enhancing Compound

Low resistance earthing compound is a conductive material which is silicon and carbon-based. It maintains low resistivity for a longer duration. It shall mix with water with 1:1 proportion while installation of Earthing. It creates a durable, low-resistivity earth that requires no maintenance

Bentonite

Bentonite is a type of clay with high moisture retention properties, utilized as a filling material for earth electrodes to reduce soil resistance. It comes in a powdered form, making it simple to pour into narrow openings and reach depths.

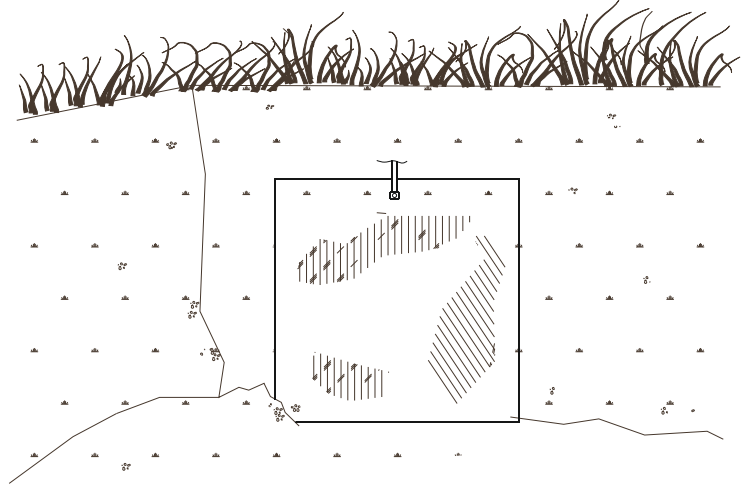


Earth Plate

Solid copper plates provide a long lasting earthing solution in places where driving earth rods might be impractical. Earth plates are made up of electrolytic grade solid copper sheet (Also on request made up of steel sheet with copper bonding)

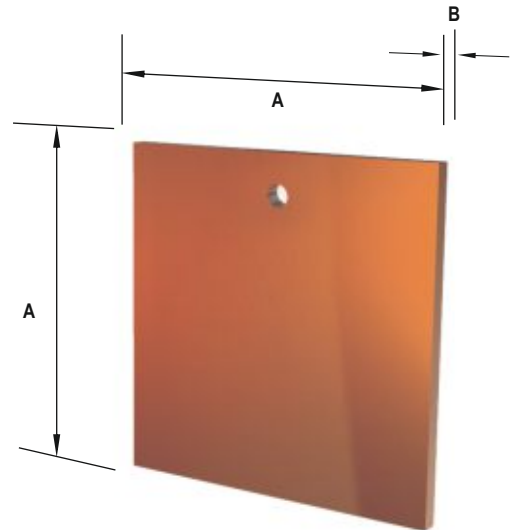
Solid Copper Earth Plates

Plate Size 'A x A x B' mm	E-Code
500 x 500 x 3	EPSC0553
500 x 500 x 5	EPSC0555
600 x 600 x 3	EPSC0663
600 x 600 x 5	EPSC0665
900 x 900 x 3	EPSC0993
900 x 900 x 5	EPSC0995
1000 x 1000 x 3	EPSC0113
1000 x 1000 x 5	EPSC0115



Copper Bonded Earth Plates

Plate Size 'A x A x B' mm	E-Code
500 x 500 x 3	EPCB0553
500 x 500 x 5	EPCB0555
600 x 600 x 3	EPCB0663
600 x 600 x 5	EPCB0665
900 x 900 x 3	EPCB0993
900 x 900 x 5	EPCB0995
1000 x 1000 x 3	EPCB0113
1000 x 1000 x 5	EPCB0115



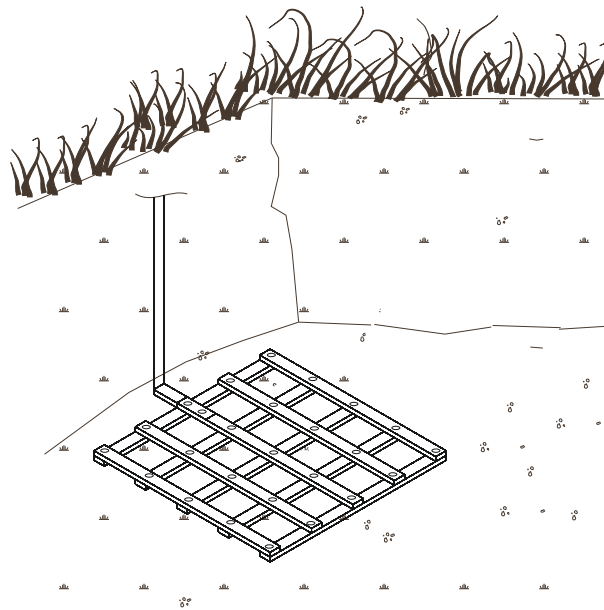
Earth Lattice

Solid copper lattice mats offer a more economical cost option to installing solid copper plates.

Material : Ec Grade Copper

Lattice Size mm	Copper Tape Size mm	No. Of Strips	E-Code
500 x 500	25 x 2	10	EL0552
500 x 500	25 x 3	10	EL0553
500 x 500	25 x 5	10	EL0555
600 x 600	25 x 2	10	EL0662
600 x 600	25 x 3	10	EL0663
600 x 600	25 x 5	10	EL0665
900 x 900	25 x 2	10	EL0992
900 x 900	25 x 3	10	EL0993
900 x 900	25 x 5	10	EL0995
1000 x 1000	25 x 2	12	EL0112
1000 x 1000	25 x 3	12	EL0113
1000 x 1000	25 x 5	12	EL0115

NOTE : OTHER SIZES & COMBINATIONS AVAILABLE



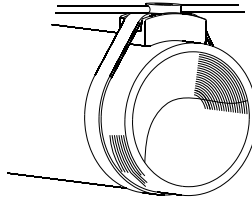
Watermain Pipe Bond

Water main pipe bond has application in bonding of metallic water main pipe & copper Tape to the Earthing or Lightning protection system.

Material : High Grade Copper Alloy
 Bolt : Stainless Steel - SS304

Tape Size mm. (W)	E-Code
25	WMC0025
30	WMC0030

NOTE : OTHER SIZES & COMBINATIONS AVAILABLE



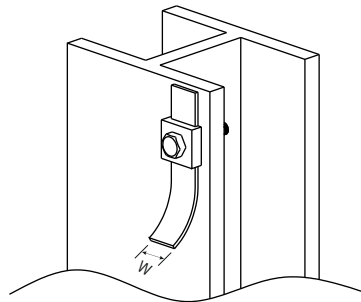
I) B Bond

Used for bonding Tape to steel structures.

Material : High Grade Copper Alloy
 Bolt : Stainless Steel - SS304

Tape Size mm. (W)	Bolt Size	E-Code
25	M10	SBB0025
30	M10	SBB0030

NOTE : OTHER SIZES & COMBINATIONS AVAILABLE



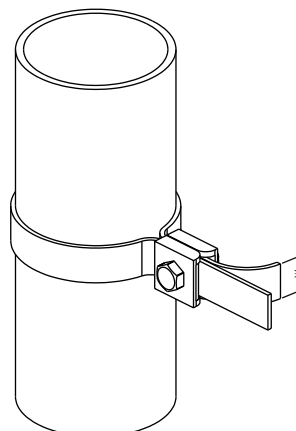
II) RWP Bond

Used for bonding tape to Rainwater pipes etc.

Material : High Grade Copper Alloy
 Bolt : Stainless Steel - SS304

Tape Size mm. (W)	Bolt Size	E-Code
25	M10	RWP0025
30	M10	RWP0030

NOTE : OTHER SIZES & COMBINATIONS AVAILABLE



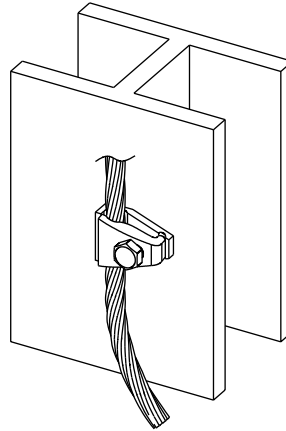
(I) Tower Earth Bond With Plate

Used for bonding copper cables or wires to steel structures.

Material : High Grade Copper Alloy

Bolt : Stainless Steel - SS304

Conductor Range mm ²	Channel Thickness mm	Bolt Size	E-Code
25 - 120	10	M10	TEB0120
25 - 150	10	M10	TEB0150
150 - 240	10	M12	TEB0240
300	10	M12	TEB0300
400	10	M12	TEB0400



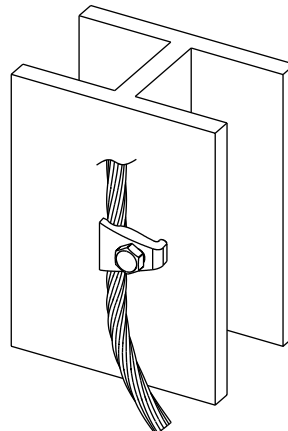
(II) Tower Earth Bond Without Plate

Used for bonding copper cables or wires to steel structures.

Material : High Grade Copper Alloy

Bolt : Stainless Steel - SS304

Conductor Range mm ²	Channel Thickness mm	Bolt Size	E-Code
25 - 120	10	M10	TEB0120WP
25 - 150	10	M10	TEB0150WP
150 - 240	10	M12	TEB0240WP
300	10	M12	TEB0300WP
400	10	M12	TEB0400WP



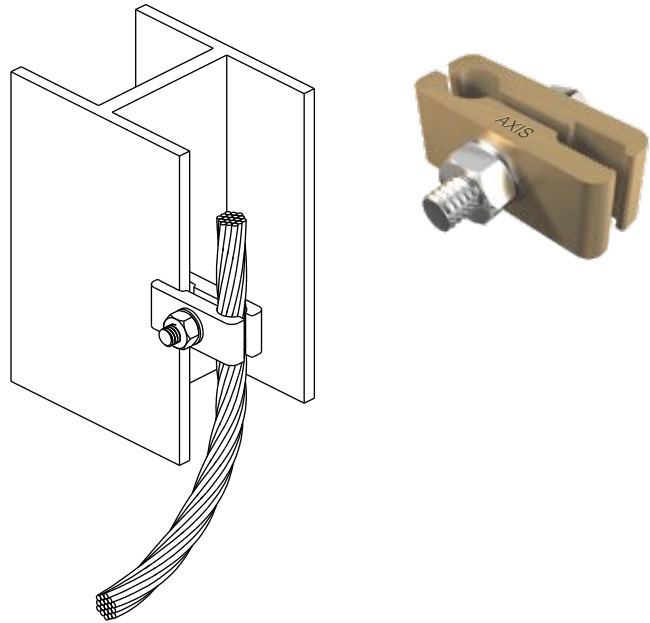
III) Tower Earth Bond - Direct Clamping Type

Used for bonding copper cables or wires to steel structures without making holes on the structures.

Material : High Grade Copper Alloy

Bolt : Stainless Steel - SS304

Conductor Range mm2	Channel Thickness mm	Bolt Size	E-Code
16 - 35	10	M10	TEB0035DC
50 - 70	10	M10	TEB0070DC
95 - 120	10	M10	TEB0120DC
185 - 240	10	M12	TEB0240DC



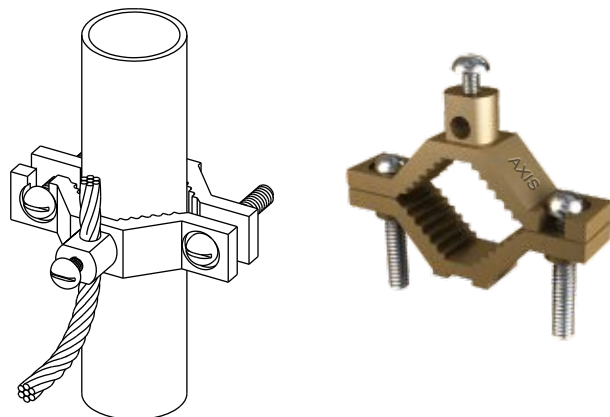
Pipe Clamps

Provide positive earth continuity for water pipes.

Material : High Grade Copper Alloy

Bolt : Stainless Steel - SS304

Pipe Size Inches	Conductor Range mm2	E-Code
1/2 - 1"	4 TO 16	PC001
1-1/4 - 2"	4 TO 16	PC002
2-1/2 - 4"	4 TO 16	PC004

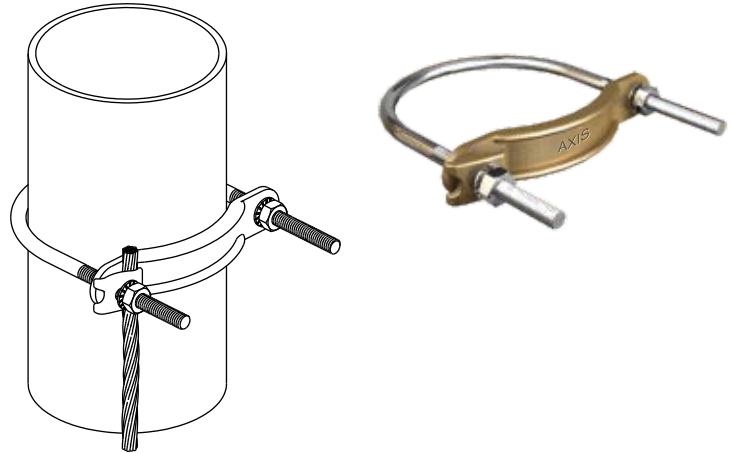


Pipe Clamp U Bolt Type For Bigger Pipe Sizes

Provide positive earth continuity for water pipes.

Material : High Grade Copper Alloy
 Bolt : Stainless Steel - SS304

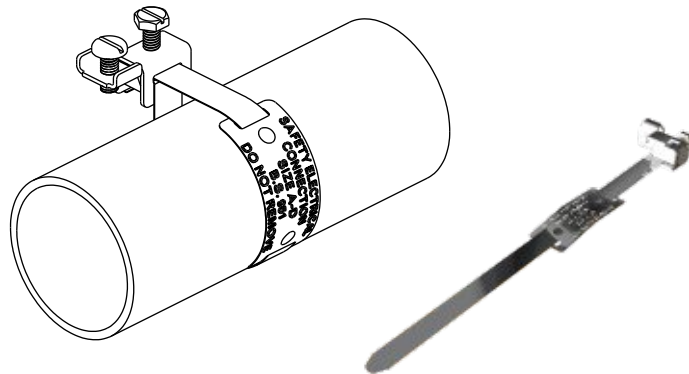
Pipe Size Inches	Conductor Range In mm ²	E-Code
1/2" - 1"	25 - 95	PCB195
1-1/4" - 2"	25 - 95	PCB295
2-1/2" - 3-1/2"	25 - 95	PCB395
4" - 5"	25 - 95	PCB595
6"	25 - 95	PCB695
8"	25 - 95	PCB895
10"	25 - 95	PCB1095
12"	25 - 95	PCB1295



Earthing Clamp - Type EC

Manufactured from SS straps with copper alloy connector.
 Typically used to make earth connections on pipes.

Pipe Size mm	Conductor Range In mm ²	E-Code
12 - 32	2.5 - 10	PEC001401
32 - 50	2.5 - 10	PEC001402
50 - 75	2.5 - 10	PEC001403



Prepunched Earthing Straps

Manufactured from copper strip.
 Available in continuous coils & pre Punched for faster earthing connection

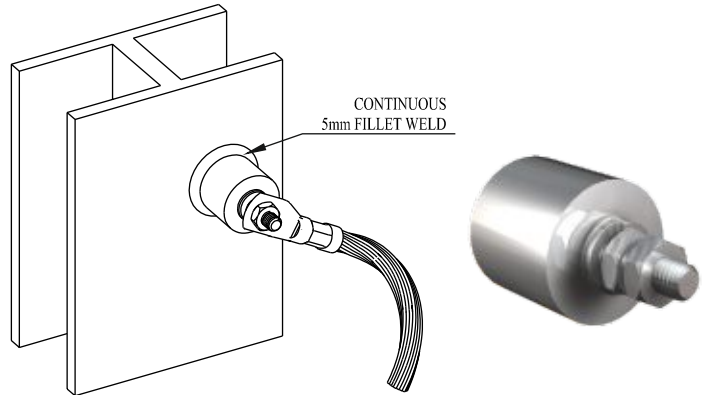
Size mm	Hole mm	E-Code
12 x 0.5	6	APES1205
12 x 1.5	6	APES121
20 x 2	8	APES202
25 x 2	8	APES252



Earth Boss

The earth boss is used to provide an earth connection point on a steel structure, It is welded onto steel vessels, tanks and other structures
 Manufactured from High Tensile mild steel, zinc plated to avoid corrosion
 & supplied with stud & bolt made of steel with spring & plain washer.

Length mm	Dia mm	Thread Dia. Inch	E-Code
20	20	M6	EB2020S6
20	20	M6	EB2020S7
25	50	M6	EB2550
30	30	M10	EB3030
38	30	M10	EB3038
40	30	M10	EB4030
40	40	M10	EB4040S6
40	40	M10	EB4040S7
40	40	M12	EB4040
40	40	M10	EB4040
40	40	M12	EB4040
40	150	M10	EB40150
50	50	M12	EB5050



NOTE :
 OTHER SIZES & COMBINATIONS AVAILABLE
 ALSO AVAILABLE IN STAINLESS STEEL

CABLE LUG IS NOT A PART OF THE EARTH BOSS

Earth Points

Provides an excellent earth point when connected to continuous reinforcing bars

Material : High Grade Copper Alloy
 Bolt : Stainless Steel - SS304

Size	Hole	E-Code
80	1 x M10	EP001
80	2 x M10	EP002
80	4 x M10	EP004

NOTE : STEM DIAMETER = 10.7 mm (70mm²)

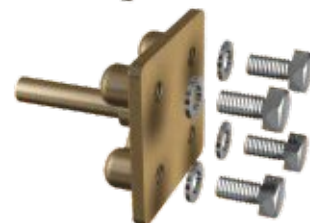
Single Point



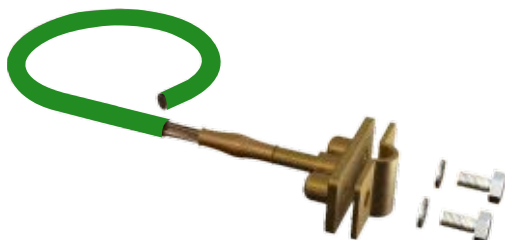
Two Point



Four Point



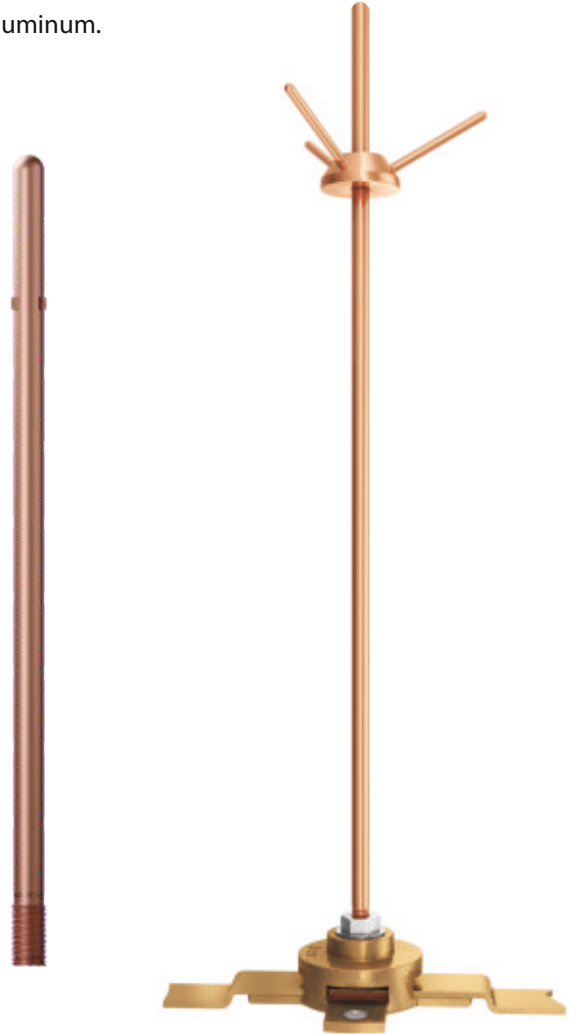
With Prewelded Tail



Round Pointed Air Rod

These Rods are made up of high conductivity EC Grade Copper & Aluminum.
Rods can be installed with or without Multiple Points

Rod Length mm	Rod Dia. mm	Thread Dia. Inch	Material	E-Code
300	14.2	5/8"	Copper	CRP1603
500	14.2	5/8"	Copper	CRP1605
600	14.2	5/8"	Copper	CRP1606
900	14.2	5/8"	Copper	CRP1609
1000	14.2	5/8"	Copper	CRP1610
1200	14.2	5/8"	Copper	CRP1612
1300	14.2	5/8"	Copper	CRP1613
1500	14.2	5/8"	Copper	CRP1615
2000	14.2	5/8"	Copper	CRP1620
2200	14.2	5/8"	Copper	CRP1622
3000	14.2	5/8"	Copper	CRP1630
500	17.2	3/4"	Copper	CRP2005
1000	17.2	3/4"	Copper	CRP2010
2000	17.2	3/4"	Copper	CRP2020
300	14.2	5/8"	Aluminium	ARP1603
500	14.2	5/8"	Aluminium	ARP1605
1000	14.2	5/8"	Aluminium	ARP1610
1500	14.2	5/8"	Aluminium	ARP1615
2000	14.2	5/8"	Aluminium	ARP1620
500	17.2	3/4"	Aluminium	ARP2005
1000	17.2	3/4"	Aluminium	ARP2010
2000	17.2	3/4"	Aluminium	ARP2020



Multiple Points

Multiple points are made from Copper Alloy & the Taper Spike from EC grade copper



Type - A

Thread Dia.	E-Code
5/8"	CMP0016
3/4"	CMP0020

Elevation Rod

Manufactured from High conductivity Copper to BS 2874 & Aluminium to BS 2987

Rod Length mm	Rod Dia. mm	Thread Dia. Inch	Material	E-Code
500	14.2	5/8"	Copper	CER1605
600	14.2	5/8"	Copper	CER1606
800	14.2	5/8"	Copper	CER1608
1000	14.2	5/8"	Copper	CER1610
1300	14.2	5/8"	Copper	CER1613
1500	14.2	5/8"	Copper	CER1615
1800	14.2	5/8"	Copper	CER1618
2000	14.2	5/8"	Copper	CER1620
2400	14.2	5/8"	Copper	CER1624
2500	14.2	5/8"	Copper	CER1625
3000	14.2	5/8"	Copper	CER1630
500	16	5/8"	Copper	CER1805
300	16	5/8"	Copper	CER1803
600	16	5/8"	Copper	CER1806
800	16	5/8"	Copper	CER1808
1000	16	5/8"	Copper	CER1810
1200	16	5/8"	Copper	CER1812
1300	16	5/8"	Copper	CER1813
1500	16	5/8"	Copper	CER1815
1800	16	5/8"	Copper	CER1818
2000	16	5/8"	Copper	CER1820
2400	16	5/8"	Copper	CER1824
2500	16	5/8"	Copper	CER1825
3000	16	5/8"	Copper	CER1830
500	17.2	3/4"	Copper	CER2005
800	17.2	3/4"	Copper	CER2008
1300	17.2	3/4"	Copper	CER2013
3000	17.2	3/4"	Copper	CER2030
500	14.2	5/8"	Aluminium	AER1605
1000	14.2	5/8"	Aluminium	AER1610
1300	14.2	5/8"	Aluminium	AER1613
2000	14.2	5/8"	Aluminium	AER1620
800	17.2	3/4"	Aluminium	AER2008
1300	17.2	3/4"	Aluminium	AER2013



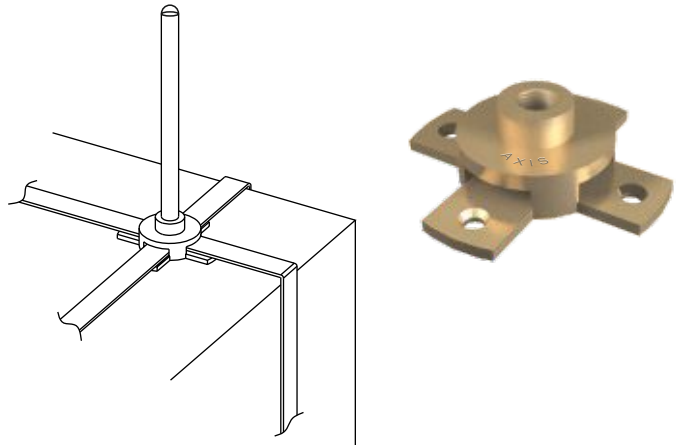
NOTE: OTHER SIZES AVAILABLE ON REQUEST

Air Terminal Base

For supporting air rods onto flat roof surfaces and to accommodate conductor tape for lightning protection system.

Material : High Grade Copper Alloy

Thread Dia. Inch	Max. Tape Size mm	Material	E-Code
5/8"	25 x 3	Copper Alloy	ATB0016C
5/8"	25 x 3	Copper Alloy	ATB0016B
3/4"	25 x 3	Copper Alloy	ATB0020C
3/4"	25 x 6	Copper Alloy	ATB20256B
5/8"	40 x 5	Copper Alloy	ATB16405B
5/8"	38 x 3	Copper Alloy	ATB16383B
5/8"	50 x 6	Copper Alloy	ATB16506B
3/4"	40 x 5	Copper Alloy	ATB20405B
M12	30,31 x 3-6	Copper Alloy	ATB12316B
5/8"	25 X 4-6	Copper Alloy	ATB16256B
5/8"	31 x 6	Copper Alloy	ATB16316B
3/4"	30,31 x 3-6	Copper Alloy	ATB20316B
3/4"	50 x 6	Copper Alloy	ATB20506B
5/8"	25 x 3	Copper Alloy	ATB16253BTN
5/8"	25 x 3	Aluminium	ATB0016A
3/4"	25 x 6	Aluminium	ATB0020A

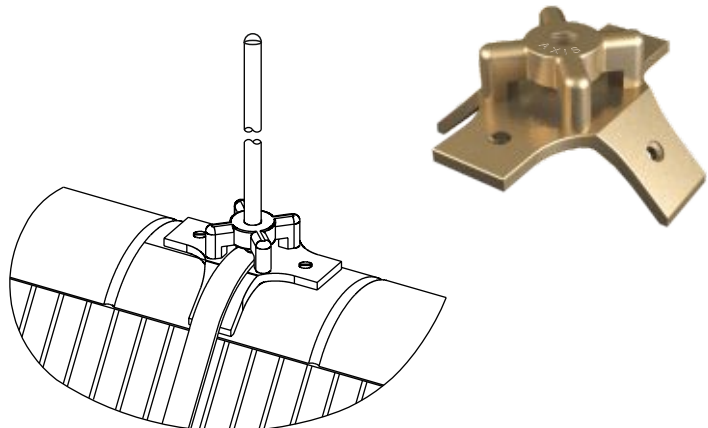


Ridge Saddle

This is used for supporting lightning conductor air terminals on the roof ridges.

Material : High Grade Copper Alloy

Thread Dia. Inch	Max. Tape Size mm	Material	E-Code
5/8"	25 x 3	Copper Alloy	RGS0016B
5/8"	25 x 3	Copper Alloy	RGS0016B
3/4"	30 x 6	Copper Alloy	RGS0020B
5/8"	25 x 3	Aluminium	RGS0016A
3/4"	30 x 6	Aluminium	RGS0020A



Strike Pad

Strike pads are used where it is not possible or preferred to attach conductors on the roof or side of the building.

Applications like ware houses or multi-story parking garages, where the conductors are laid into the tarmac, or the side of the building, but not possible to run the conductor outside.

Diameter	Height	Material	E-Code
112	20	Aluminium	SPA120
		Copper Alloy	SPB120
		Stainless Steel	SPS120



NOTE: ADD 'WF' AS SUFFIX FOR WITH FASTNERS

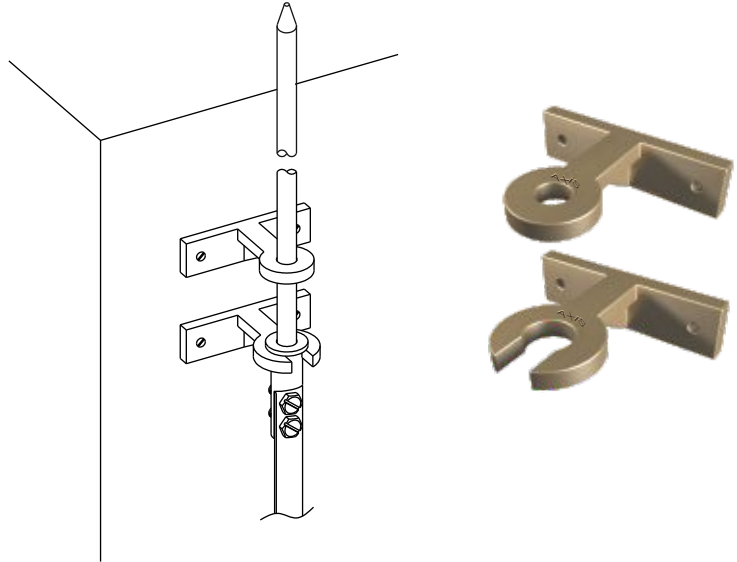
Rod Brackets

Used to support & continue air rod

Material : High Grade Copper Alloy

Rod Dia mm	Material	E-Code
14.2	Copper Alloy	RB0016C
17.2	Copper Alloy	RB0020C
14.2	Aluminium	RB0016A

NOTE : TO BE USED IN A SET



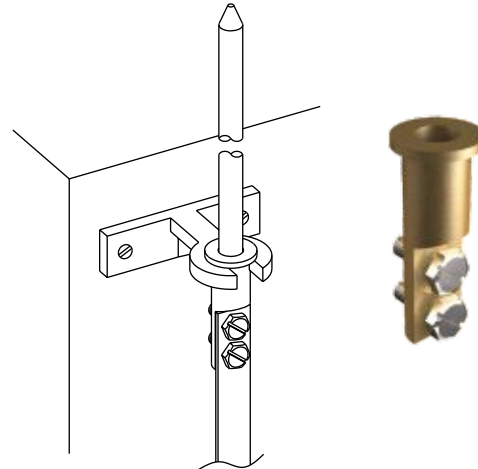
Rod To Tape Coupling

Used to connect air rod to earthing tape.

Material : High Grade Copper Alloy

Fasteners : Stainless Steel - SS304

Rod Dia mm	Thread Dia. Inch	Max. Tape Size mm	Material	E-Code
14.2	5/8"	25 x 6	Copper Alloy	RTC0016C
17.2	3/4"	25 x 6	Copper Alloy	RTC0020C
14.2	5/8"	25 x 6	Aluminium	RTC0016A
17.2	3/4"	25 x 6	Aluminium	RTC0020A



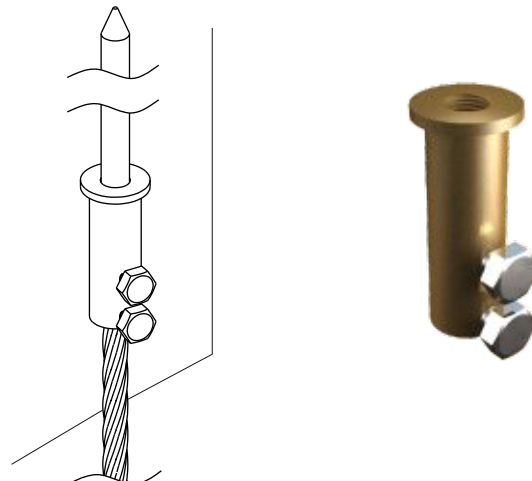
Rod To Cable Coupling

Suitable to connect air rod to down conductor. To be used along with Brackets

Material : High Grade Copper Alloy

Bolt : Stainless Steel - SS304

Thread Dia. Inch	Conductor Size In mm ²	E-Code
5/8"	35 - 50	RC5850
5/8"	50 - 95	RC5895
3/4"	35 - 50	RC3450
3/4"	70 - 95	RC3495



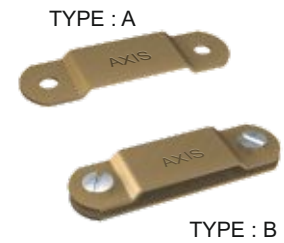
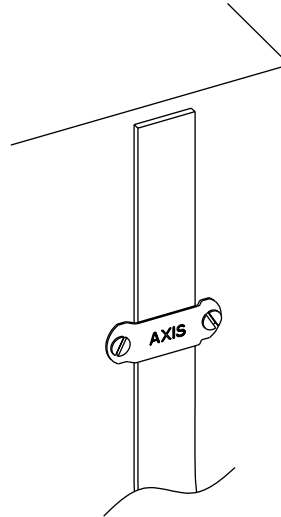
Tape Clip With & Without Base

They are used to Support & Secure Flat tape to the structure.

Material : High Grade Copper Alloy

Tape Size mm	Material	E-Code
20 x 3	Copper Alloy	TCC0020
25 x 3	Copper Alloy	TCC0025
30 x 3	Copper Alloy	TCC0030
50 x 3	Copper Alloy	TCC0050
25 x 3	Aluminium	TCA0025
30 x 3	Aluminium	TCA0030
50 x 3	Aluminium	TCA0050

NOTE : OTHER SIZES AVAILABLE ON REQUEST



D.C Tape Clip

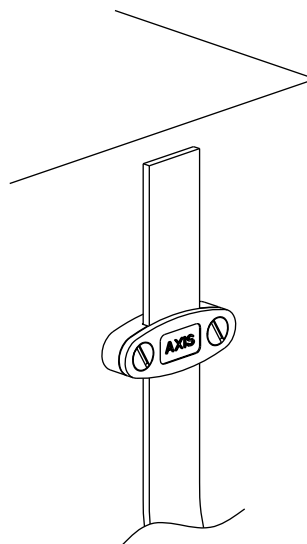
Used for Supporting & Secure Flat tape to the structure.

Material : High Grade Copper Alloy

Bolt : Stainless Steel - SS304

Tape Size mm	E-Code
20 x 3	DCG203
25 x 3	DCG253
25 x 6	DCG256
30 x 3	DCG303
30 x 6	DCG306
50 x 3	DCG503
50 x 6	DCG506

NOTE : OTHER SIZES AVAILABLE ON REQUEST
ALSO AVAILABLE IN ALUMINIUM



Glue Down Plastic Dc Tape Clip

It can be used to secure conductors to surfaces that cannot be penetrated by screw.

Material : PVC base with polypropylene clip

Tape Size mm	E-Code
25 x 3	GDDC253
30 x 3	GDDC303

NOTE : OTHER SIZES AVAILABLE ON REQUEST



Square Tape Clamp

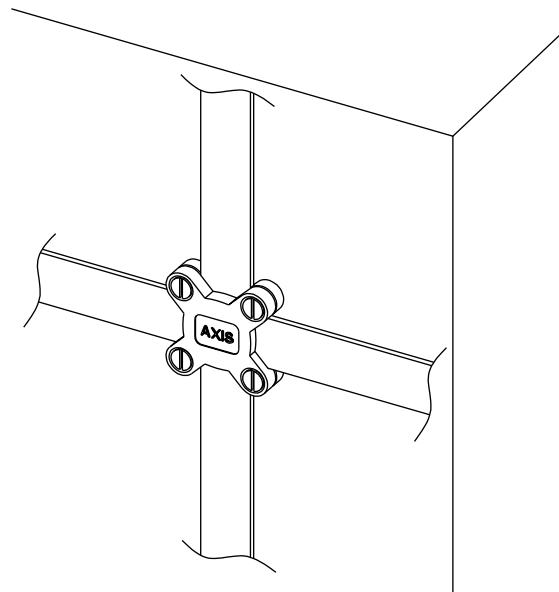
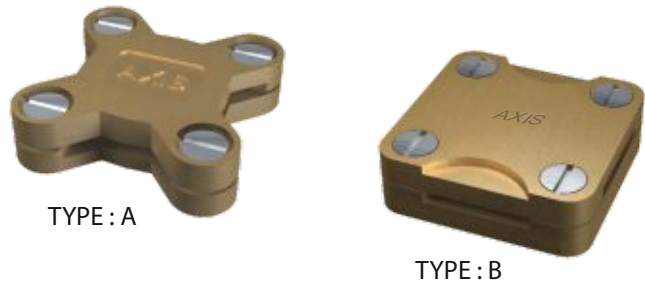
Suitable for 4 way connections, straight through or tee joints for tapes.

Material : High Grade Copper Alloy

Bolt : Stainless Steel - SS304

Tape Size mm	Material	E-Code
20 x 3	Copper Alloy	STC0203
25 x 3	Copper Alloy	STC0253
25 x 6	Copper Alloy	STC0256
30 x 3	Copper Alloy	STC0303
30 x 6	Copper Alloy	STC0306
50 x 3	Copper Alloy	STC0503
50 x 6	Copper Alloy	STC0506
25 x 3	Aluminium	STC0253A
30 x 3	Aluminium	STC0303A
50 x 6	Aluminium	STC0506A

NOTE : OTHER SIZES AVAILABLE ON REQUEST



Oblong Test Clamp

Suitable for straight through tape joint

Material : High Grade Copper Alloy

Bolt : Stainless Steel - SS304

Tape Size mm	E-Code
20 x 3	OTC0203
25 x 3	OTC0253
30 x 3	OTC0303
50 x 6	OTC0506

NOTE : OTHER SIZES AVAILABLE ON REQUEST
ALSO AVAILABLE IN ALUMINIUM

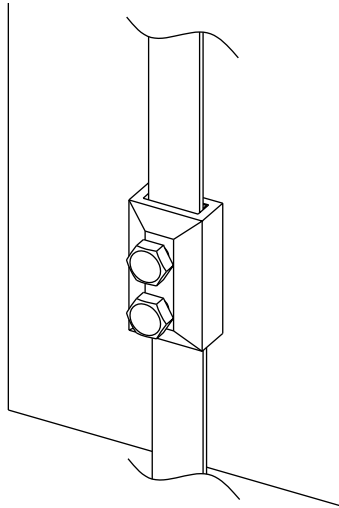


Plate Test Clamp

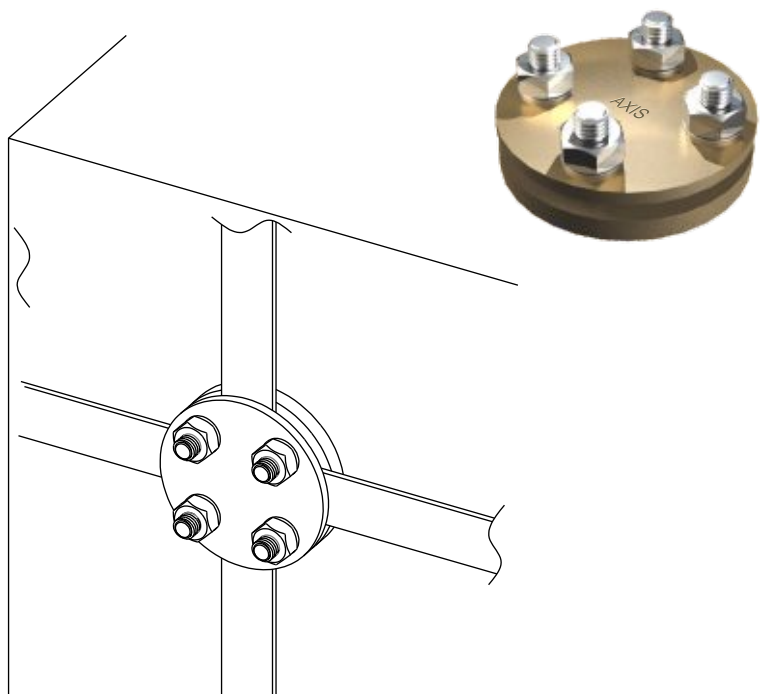
A Disconnecting joint between the down conductor system & earthing system can be formed using this clamp the clamp can be used as a 4-way clamp.

Material : High Grade Copper Alloy

Bolt : Stainless Steel - SS304

Tape Size mm	E-Code
25 x 3	PTC253
30 x 3	PTC303
50 x 6	PTC506

ALSO AVAILABLE IN ALUMINIUM



Bi-metallic Connector Tape To Tape

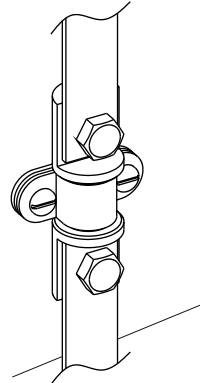
This connectors are used in bi-metallic earthing systems.

It is recommended to use inhibiting compound with this assembly.

Material : High Grade Copper Alloy

Fasteners : Stainless Steel - SS304

Cu Tape Size mm	Alu Tape Size In mm	E-Code
25 x 3	25 x 3	BMCC0253



Bi-metallic Connector Tape To Conductor

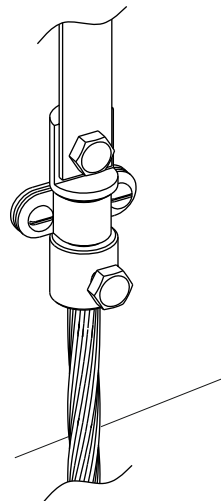
This connectors are used in bi-metallic earthing systems.

It is recommended to use inhibiting compound with this assembly.

Material : High Grade Copper Alloy

Fasteners : Stainless Steel - SS304

Cu Tape Size mm	Alu Conductor Size In mm ²	E-Code
25 x 3	35 - 50	BMCTC25350
25 x 3	70 - 95	BMCTC25395



Bi-metallic Connector Conductor To Conductor

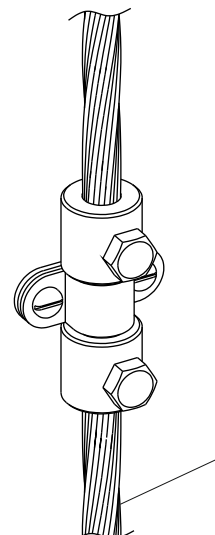
This connectors are used in bi-metallic earthing systems.

It is recommended to use inhibiting compound with this assembly.

Material : EC Grade Aluminium & Copper

Bolt : Stainless Steel - SS304

Cu Conductor Size In mm ²	Alu Conductor Size In mm ²	E-Code
35 - 50	35 - 50	BMCC3550
70 - 95	70 - 95	BMCC7095



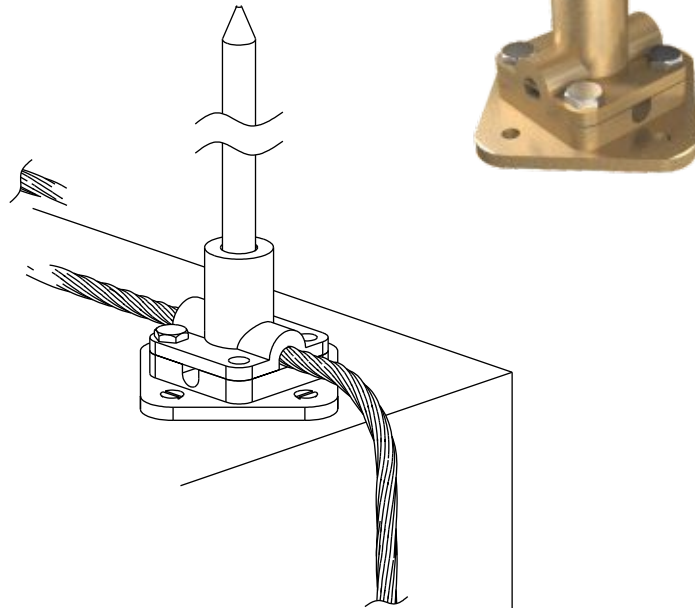
Air Terminal Base

Suitable to install Air terminal and make positive continuity to earthing conductor.

Material : High Grade Copper Alloy

Bolt : Stainless Steel - SS304

Conductor Size, mm ²	Thread Dia. Inch	E-Code
50	5/8"	ATB1650C
70	5/8"	ATB1670C
95	5/8"	ATB1695C
50	3/4"	ATB2050C
70	3/4"	ATB2070C
95	3/4"	ATB2095C



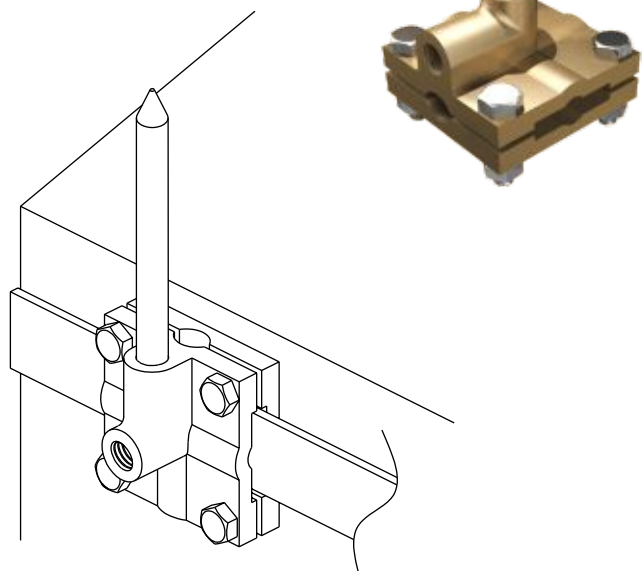
Multiple Function Air Terminal Base

Used for Supporting & Secure Flat Tape to the Structure.

Material : High Grade Copper Alloy

Bolt : Stainless Steel - SS304

Rod Thread Dia. In Inch	Conductor Size In mm ²	Copper Flat Size In mm	E-Code
5/8"	35 - 50	25 x 3	ATBM5850
5/8"	70 - 95	25 x 3	ATBM5895
3/4"	35 - 50	25 x 3	ATBM3450
3/4"	70 - 95	25 x 3	ATBM3495



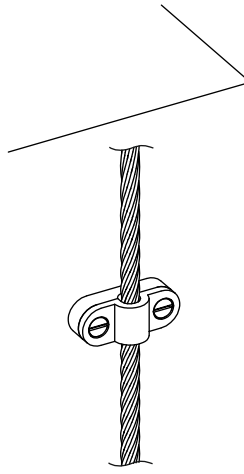
Heavy Duty Conductor Saddle

Used in conjunction with wall mounted air terminal base.

Material : High Grade Copper Alloy

Fasteners : Stainless Steel - SS304

Conductor Size, mm ²	E-Code
25 - 35	HDS0035
8mm ROD	HDS0050
50 - 70	HDS0070
95	HDS0095
120 - 150	HDS0150
185	HDS0185



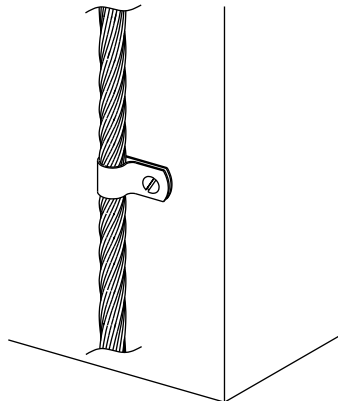
One Hole Clip

Used in fixing cable conductors.

Material : High Grade Copper Alloy

Conductor Size, mm ²	E-Code
25 - 35	OHC0035
8mm ROD	OHC0050
50 - 70	OHC0070
95	OHC0095
120	OHC0120
150	OHC0150
185	OHC0185

NOTE : OTHER SIZES AVAILABLE ON REQUEST

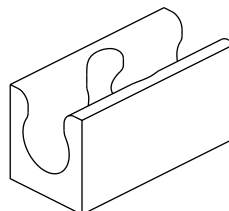


Push In Roof Conductor

Used for easy installation of solid circular conductors.

Material : Polypropylene

Conductor Dia in mm	L mm	W mm	H mm	Colour	E-Code
8	29	18	14	BLACK	PRC008BL
				BROWN	PRC008BR
				WHITE	PRC008WH



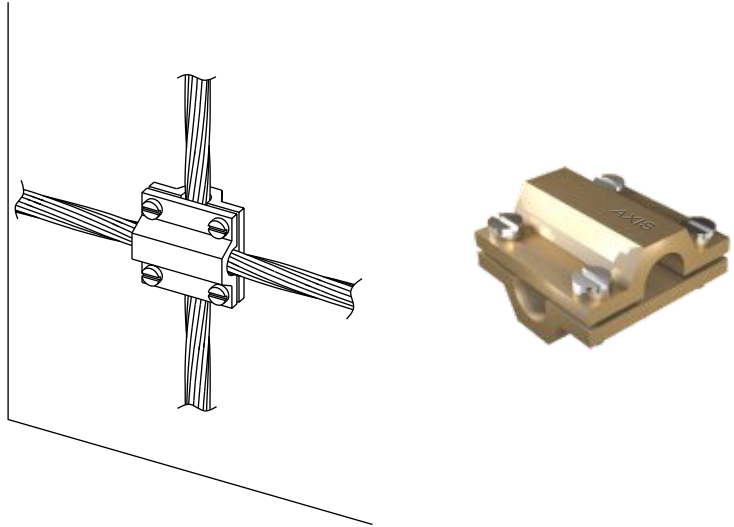
Square Clamp

Suitable for 4 way connections, straight through or tee joints for rods.

Material : High Grade Copper Alloy

Bolt : Stainless Steel - SS304

Conductor Size, mm ²	E-Code
35	GSQ0035
50	GSQ0050
70 - 95	GSQ0095
120	GSQ0120



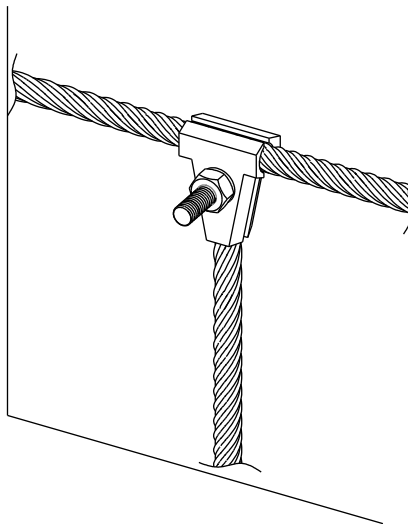
Tee Clamp

Used for forming tee joints

Material : High Grade Copper Alloy

Bolt : Stainless Steel - SS304

Conductor Size, mm ²	E-Code
35 - 50	GTC0035
70 - 95	GTC0095
120	GTC0120



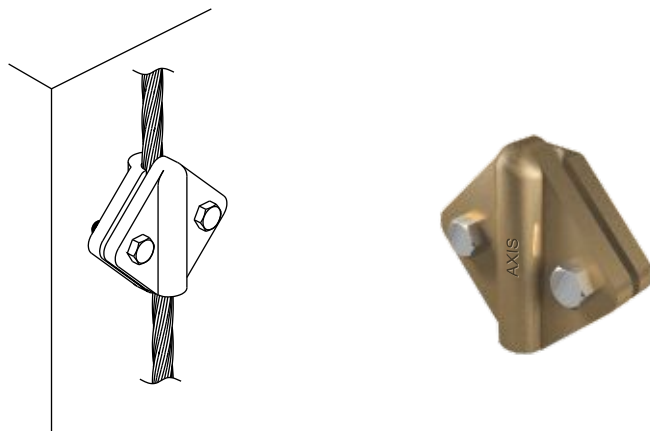
Test Clamp

Used in overlapping joints.

Material : High Grade Copper Alloy

Bolt : Stainless Steel - SS304

Conductor Size, mm ²	E-Code
35	TEC0035
50	TEC0050
70 - 95	TEC0095



Square Clamp With Combination

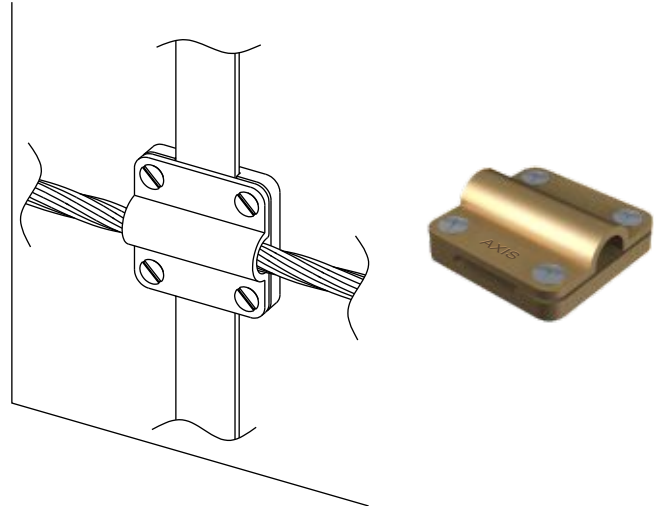
Suitable to connect conductor to tape

Material : High Grade Copper Alloy

Fasteners : Stainless Steel - SS304

Conductor Size In mm ²	Copper Flat Size In mm	E-Code
35 - 50	20 x 3	SCC50203
35 - 50	25 x 3	SCC50253
70 - 95	25 x 3	SCC95253
70 - 95	30 x 3	SCC95303

NOTE : OTHER SIZES & COMBINATIONS AVAILABLE



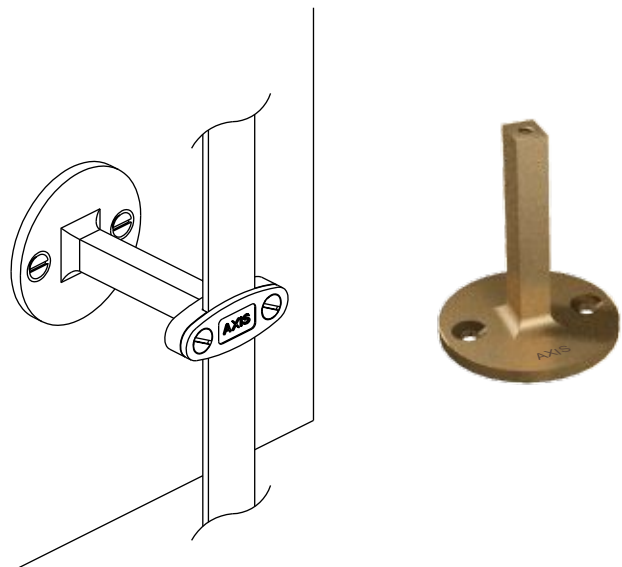
Back Plate Holdfast Stem

Required for installation of tape when the tape is to be secured away from the face of wall.

This should be used with appropriate D.C Clip.

Material : High Grade Copper Alloy

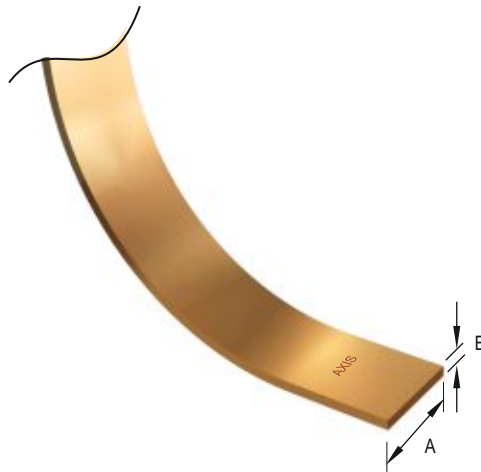
Tape Material	E-Code
Copper Alloy	BPHS01



Bare Copper Tape

Copper Tapes are manufactured from high conductivity EC grade Copper.

Tape Size (A x B) mm	E-Code
12.5 x 1.5	ECT0121
12.5 x 3	ECT0123
20 x 1.5	ECT0201
20 x 3	ECT0203
25 x 1.5	ECT0251
25 x 3	ECT0253
25 x 4	ECT0254
25 x 6	ECT0256
30 x 3	ECT0303
30 x 6	ECT0306
38 x 3	ECT0383
38 x 5	ECT0385
38 x 6	ECT0386
40 x 4	ECT0404
40 x 6	ECT0406
50 x 3	ECT0503
50 x 4	ECT0504
50 x 6	ECT0506

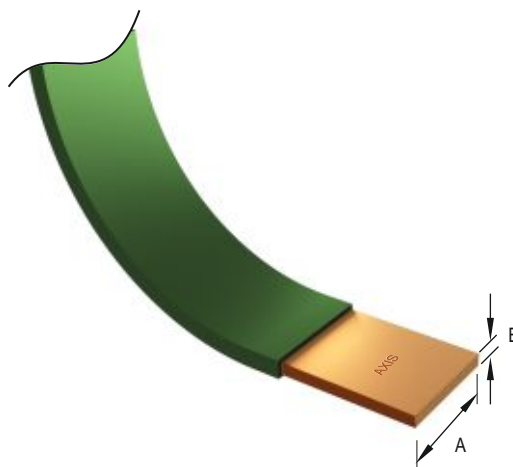


NOTE : OTHER SIZES AVAILABLE ON REQUEST

Pvc Covered Copper Tape

High conductivity copper tapes, PVC covered.

Tape Size (A x B) mm	E-Code
12.5 x 1.5	PCT0121
12.5 x 3	PCT0123
20 x 1.5	PCT0201
20 x 3	PCT0203
25 x 1.5	PCT0251
25 x 3	PCT0253
25 x 4	PCT0254
25 x 6	PCT0256
30 x 3	PCT0303
30 x 6	PCT0306
38 x 3	PCT0383
38 x 5	PCT0385
38 x 6	PCT0386
40 x 4	PCT0404
40 x 6	PCT0406
50 x 3	PCT0503
50 x 4	PCT0504
50 x 6	PCT0506



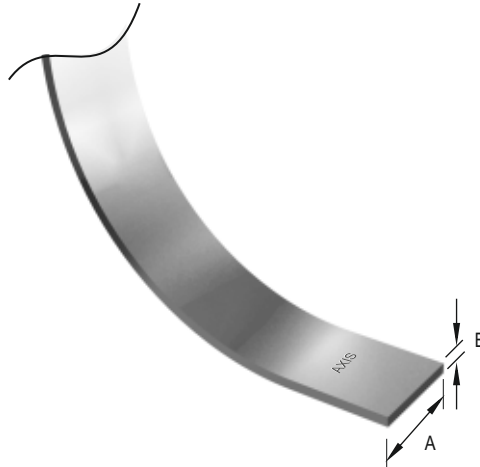
NOTE : OTHER SIZES AVAILABLE ON REQUEST



Tinned Copper Tape

Tinned Copper Tapes are manufactured from high conductivity EC grade Copper.

Tape Size (A x B) mm	E-Code
12.5 x 1.5	TCT0121
12.5 x 3	TCT0123
20 x 1.5	TCT0201
20 x 3	TCT0203
25 x 1.5	TCT0251
25 x 3	TCT0253
25 x 4	TCT0254
25 x 6	TCT0256
30 x 3	TCT0303
30 x 6	TCT0306
38 x 3	TCT0383
38 x 5	TCT0385
38 x 6	TCT0386
40 x 4	TCT0404
40 x 6	TCT0406
50 x 3	TCT0503
50 x 4	TCT0504
50 x 6	TCT0506

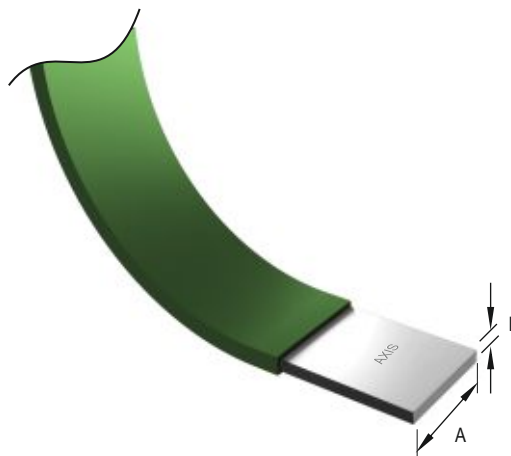


NOTE : OTHER SIZES AVAILABLE ON REQUEST

PVC Covered Tinned Copper Tape

High conductivity tinned copper tapes, PVC covered.

Tape Size (A x B) mm	E-Code
12.5 x 1.5	PTCT0121
12.5 x 3	PTCT0123
20 x 1.5	PTCT0201
20 x 3	PTCT0203
25 x 1.5	PTCT0251
25 x 3	PTCT0253
25 x 4	PTCT0254
25 x 6	PTCT0256
30 x 3	PTCT0303
30 x 6	PTCT0306
38 x 3	PTCT0383
38 x 5	PTCT0385
38 x 6	PTCT0386
40 x 4	PTCT0404
40 x 6	PTCT0406
50 x 3	PTCT0503
50 x 4	PTCT0504
50 x 6	PTCT0506



NOTE : OTHER SIZES AVAILABLE ON REQUEST

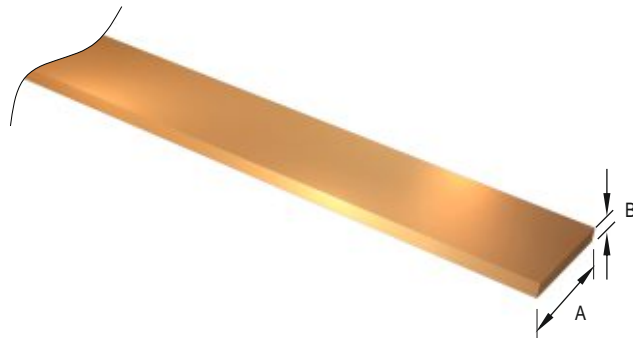


Hard Drawn Copper Bar

Manufactured from high conductivity copper.

Tape Size (A x B) mm	E-Code
25 x 3	HCB253
25 x 6	HCB256
38 x 6	HCB386
50 x 6	HCB506
50 x 10	HCB5010
75 x 6	HCB756

NOTE : OTHER SIZES AVAILABLE ON REQUEST



Flexible Copper Braid

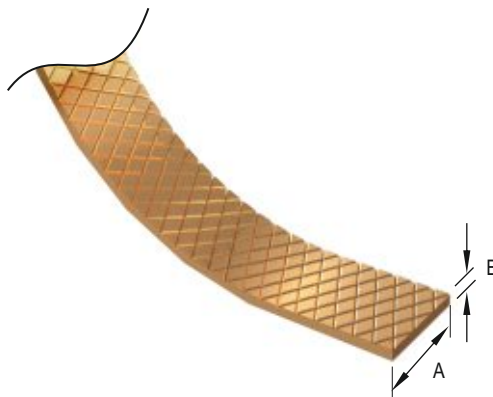
Manufactured from high conductivity copper wire to BS4109-C101.

Suitable for earth bonding. Also supplied as standard pre-cut & Drilled Bonds.

This is used for bonding of gates, Metal doors, Fences and application where flexibility is required.

Overall Size (A x B) mm	Size (mm ²)	Current Rating AMP	E-Code
12 x 1.5	8.4	40	FB0121
12 x 3	16.8	105	FB0123
19 x 1.5	12.1	63	FB0191
19 x 3.0	22.4	140	FB0193
25 x 1.5	19.6	85	FB0251
25 x 3	36.5	200	FB0253
25 x 6	73	400	FB0256
32 x 1.5	36.5	120	FB0321
32 x 3	42.1	240	FB0323
32 x 6	81.4	400	FB0326
38 x 3	53.3	800	FB0383
38 x 6	80	500	FB0386
50 x 3	70.2	400	FB0503
50 x 6	109.5	800	FB0506
50 x 12	280	1500	FB5012
75 x 6	140.4	1000	FB0756

NOTE : OTHER SIZES AVAILABLE ON REQUEST



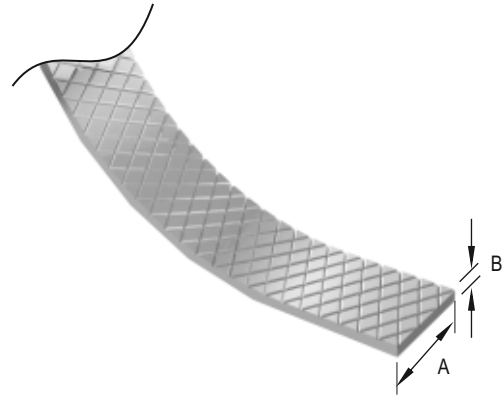
Flexible Tinned Copper Braid

Manufactured from high conductivity copper wire to BS4109-C101.

Suitable for earth bonding. Also supplied as standard pre-cut & Drilled Bonds.

This is used for bonding of gates, Metal doors, Fences & application where flexibility is required.

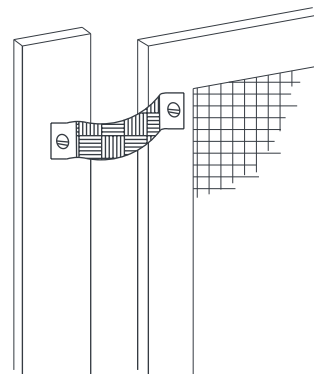
Overall Size (A x B) mm	Size (mm ²)	Current Rating AMP	E-Code
12 x 1.5	8.4	40	FTB0121
12 x 3	16.8	105	FTB0123
19 x 1.5	12.1	63	FTB0191
19 x 3.0	22.4	140	FTB0193
25 x 1.5	19.6	85	FTB0251
25 x 3	36.5	200	FTB0253
25 x 6	73	400	FTB0256
32 x 1.5	36.5	120	FTB0321
32 x 3	42.1	240	FTB0323
32 x 6	81.4	400	FTB0326
38 x 3	53.3	800	FTB0383
38 x 6	80	500	FTB0386
50 x 3	70.2	400	FTB0503
50 x 6	109.5	800	FTB0506
50 x 12	280	1500	FTB5012
75 x 6	140.4	1000	FTB0756



Flexible Connectors

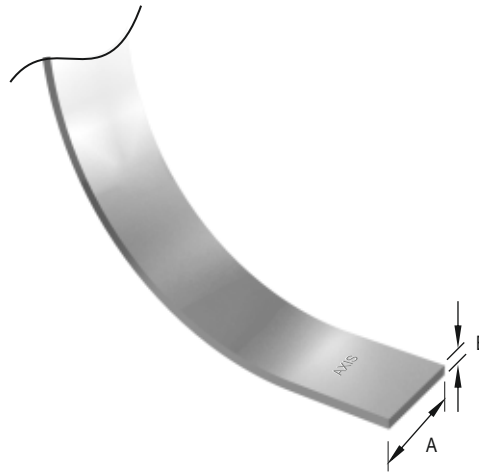
Overall Size (A x B) mm	Center To Center Dist. Of Fixing Hole, mm	Braid Dim. mm	Hole Size mm	E-Code
Single Bond	200	25 x 3	12	FDB0200
	300	25 x 3	12	FDB0300
	400	25 x 3	12	FDB0400

NOTE : OTHER SIZES AND TYPES OF BRAID MADE ON ORDER.



Bare Aluminium Tape

Tape Size (A x B) mm	E-Code
12.5 x 1.5	BAT0121
12.5 x 3	BAT0123
20 x 1.5	BAT0201
20 x 3	BAT0203
25 x 1.5	BAT0251
25 x 3	BAT0253
25 x 4	BAT0254
25 x 6	BAT0256
30 x 3	BAT0303
30 x 6	BAT0306
38 x 3	BAT0383
38 x 5	BAT0385
38 x 6	BAT0386
40 x 4	BAT0404
40 x 6	BAT0406
50 x 3	BAT0503
50 x 4	BAT0504
50 x 6	BAT0506



NOTE : OTHER SIZES AVAILABLE ON REQUEST

PVC Covered Aluminium Tape

High Conductivity Aluminium Tapes PVC Covered.

Tape Size (A x B) mm	E-Code
12.5 x 1.5	PAT0121
12.5 x 3	PAT0123
20 x 1.5	PAT0201
20 x 3	PAT0203
25 x 1.5	PAT0251
25 x 3	PAT0253
25 x 4	PAT0254
25 x 6	PAT0256
30 x 3	PAT0303
30 x 6	PAT0306
38 x 3	PAT0383
38 x 5	PAT0385
38 x 6	PAT0386
40 x 4	PAT0404
40 x 6	PAT0406
50 x 3	PAT0503
50 x 4	PAT0504
50 x 6	PAT0506



NOTE : OTHER SIZES AVAILABLE ON REQUEST



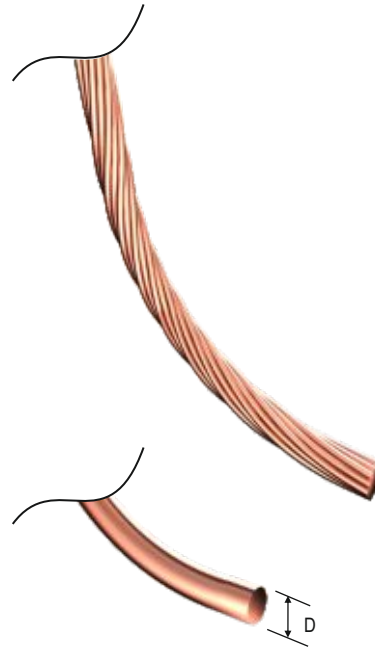
Bare Stranded Copper Conductor

Made from Soft Drawn Stranded Copper

Conductor Size mm ²	No. Of Stranding / Wire Dia. mm	E-Code
6	7/1.04	SSBC0006
10	7/1.4	SSBC0010
16	7/1.7	SSBC0016
25	7/2.14	SSBC0025
35	7/2.52	SSBC0035
50	19/1.78	SSBC0050
70	19/2.14	SSBC0070
95	19/2.52	SSBC0095
120	37/2.03	SSBC0120
150	37/2.25	SSBC0150
185	37/2.52	SSBC0185
240	61/2.25	SSBC0240
300	61/2.50	SSBC0300

NOTE : OTHER SIZES AVAILABLE ON REQUEST

Rod Dia In mm 'D'	E-Code
8	BCR08



Bare Stranded Copper Conductor With Tinned Plated

Made from Soft Drawn Stranded Copper

Conductor Size mm ²	No. Of Stranding / Wire Dia. mm	E-Code
6	7/1.04	SSBCT0006
10	7/1.4	SSBCT0010
16	7/1.7	SSBCT0016
25	7/2.14	SSBCT0025
35	7/2.52	SSBCT0035
50	19/1.78	SSBCT0050
70	19/2.14	SSBCT0070
95	19/2.52	SSBCT0095
120	37/2.03	SSBCT0120
150	37/2.25	SSBCT0150
185	37/2.52	SSBCT0185
240	61/2.25	SSBCT0240
300	61/2.50	SSBCT0300

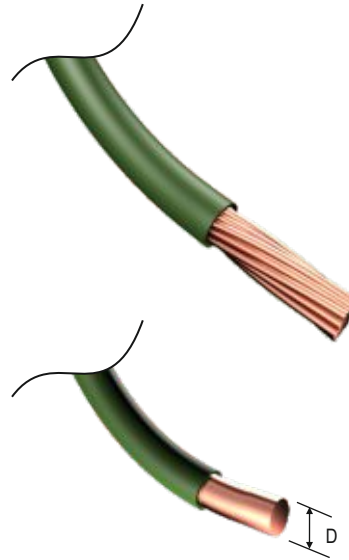
Rod Dia In mm 'D'	E-Code
8	BCRT08



PVC covered Soft Drawn Copper Conductor

Conductor Size mm ²	No. Of Stranding / Wire Dia. mm	E-Code
16	7/1.7	PSC0016
25	7/2.14	PSC0025
35	7/2.52	PSC0035
50	19/1.78	PSC0050
70	19/2.14	PSC0070
95	19/2.52	PSC0095
120	37/2.03	PSC0120
150	37/2.25	PSC0150
185	37/2.52	PSC0185
240	61/2.25	PSC0240
300	61/2.52	PSC0300
400	61/2.85	PSC0400

Rod Dia IN mm 'D'	E-Code
8	PBCR08

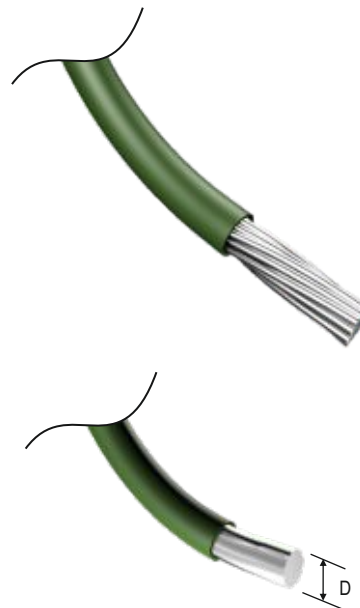


PVC Covered Stranded Copper Conductor with Tinned Plated

PVC covered Soft Drawn Copper conductor.

Conductor Size mm ²	No. Of Stranding / Wire Dia. mm	E-Code
16	7/1.7	PSCT0016
25	7/2.14	PSCT0025
35	7/2.52	PSCT0035
50	19/1.78	PSCT0050
70	19/2.14	PSCT0070
95	19/2.52	PSCT0095
120	37/2.03	PSCT0120
150	37/2.25	PSCT0150
185	37/2.52	PSCT0185
240	61/2.25	PSCT0240
300	61/2.52	PSCT0300
400	61/2.85	PSCT0400

Rod Dia IN mm 'D'	E-Code
8	PBCRT08

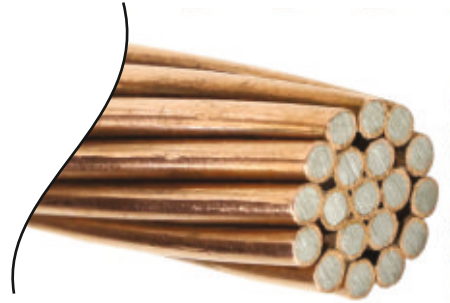


Copper Clad Steel Stranded Conductor

Copper clad steel stranded conductor is stranded by a certain number of single copper clad steel wire.

It has strength and toughness of steel, as well as the good conductivity and corrosion resistance of copper.

Compared to the single copper wire, it has the advantages of small density, high strength and low cost, and can fit perfectly replace the traditional pure copper wire.



Why Copper Clad Steel Conductor?

High intensity: CCS wire has higher tensile strength than pure copper wire.

Light weight: Lighter 9-13% than pure copper wire. Under the same wire size and weight, its length is 1.13 times than that of pure copper wire. So buying 1 ton of CCS wire is the same as buying 1.13 tons' pure copper wire.

Saving cost: CCS wire is much cheaper than pure copper wire, while its surface quality is the same with pure copper wire. Using of copper cladding steel wire will reduce greatly the production cost while guaranteeing the same quality as pure copper wire.

Reducing copper theft since copper cannot be recovered by scrap dealers.

Applications:

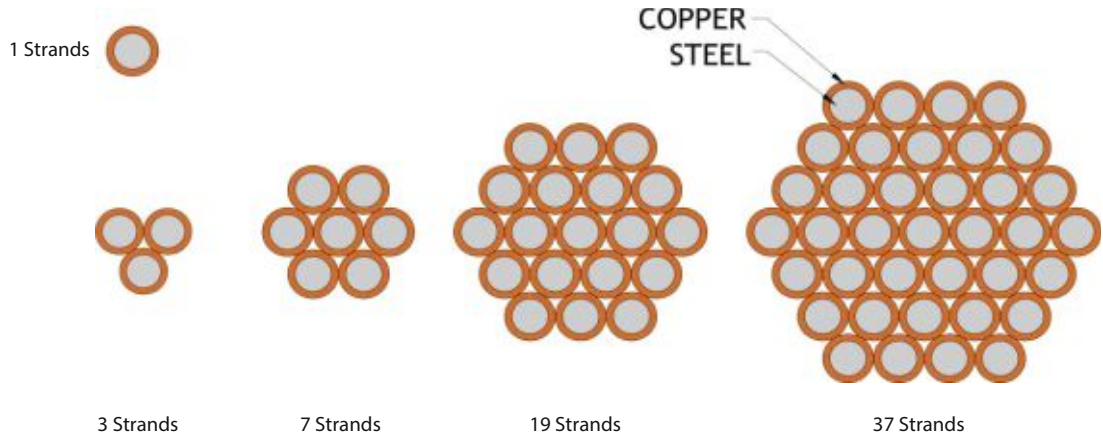
- Overhead system for power transmission and telephone lines.
- Overhead-contact systems for railway and Light Rail Transit.
- Earthing for electrical power industry.

Technical details of copper clad steel conductor :

Material for producing CCS wire:	Low carbon steel or high carbon steel
Wire Diameter:	0.20mm – 10 mm.
Tensile strength:	Low carbon min 300N/mm ²
Conductivity:	30% IACS, 40% IACS or as per client's requirement.
Packing:	In coils or on reels/spools.



Technical Parameter:



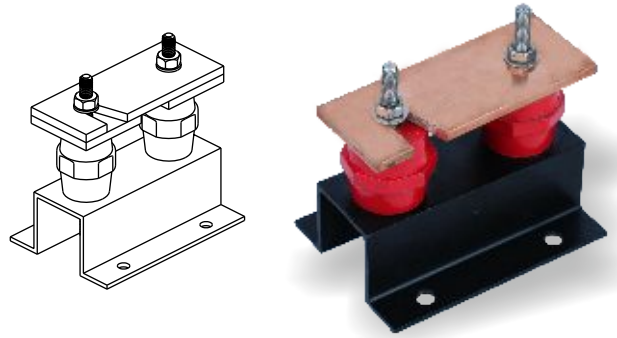
Size in (mm ²)	AWG	Strands/ diameter (mm)	Weight/M	Wire Crosssection Area mm ²	Diameter (mm)	Item Code
33.63	No. 2	1 / 6.54	27.404	33.63	6.54	ACCSC01
21.15	No. 4	1 / 5.19	17.234	21.15	5.19	ACCSC02
13.3	No. 6	1 / 4.12	10.839	13.3	4.12	ACCSC03
63.45	3 No. 4	3/5.19	52.117	63.45	11.18	ACCSC04
50.3	3 No. 5	3/4.62	41.315	50.3	9.96	ACCSC05
39.89	3 No. 6	3/4.12	32.77	39.89	8.87	ACCSC06
31.65	3 No. 7	3/3.66	26	31.65	7.9	ACCSC07
25.1	3 No. 8	3 / 3.26	20.618	25.1	7.03	ACCSC08
19.89	3 No. 9	3/2.90	16.342	19.89	6.26	ACCSC09
15.78	3 No. 10	3/2.58	12.966	15.78	5.58	ACCSC10
9.92	3 No. 12	3/2.05	8.152	9.92	4.42	ACCSC11
148.04	7 No. 4	7/5.19	121.848	148.04	15.57	ACCSC12
117.36	7 No. 5	7/4.62	96.593	117.36	13.86	ACCSC13
93.09	7 No 6	7/4.12	76.615	93.09	12.34	ACCSC14
73.86	7 No. 7	7/3.66	60.787	73.86	11	ACCSC15
58.57	7 No. 8	7/3.26	48.204	58.57	9.79	ACCSC16
46.42	7 No. 9	7/2.90	38.206	46.42	8.72	ACCSC17
36.83	7 No. 10	7/2.58	30.313	36.83	7.76	ACCSC18
318.55	19 No. 5	19/4.62	26.322	318.55	23.1	ACCSC19
252.66	19 No. 6	19/4.12	208.777	252.66	20.57	ACCSC20
200.47	19 No. 7	19/3.66	165.648	200.47	18.33	ACCSC21
158.97	19 No 8	19/3.26	131.359	158.97	16.32	ACCSC22
126	19 No. 9	19/2.90	104.113	126	14.53	ACCSC23
50.2	NO. 1/0	1/8.0	394.384	50.2	8	ACCSC24
78.5	NO. 3/0	1/10.0	616.225	78.5	10	ACCSC25

NOTE: OTHER SIZE ALSO AVAILABLE ON CUSTOMERS REQUEST.



Disconnecting Link

Description	Length (mm)	E-Code
DISCONNECTING LINK	125	DL001

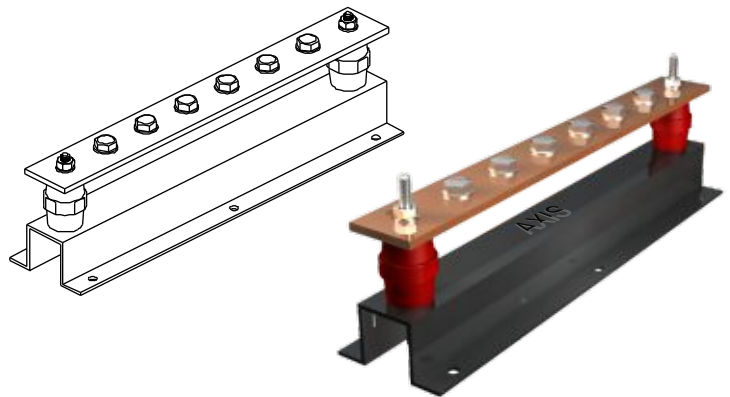


Earth Bars

Made out of 50 x 6 mm pure copper bar pre-fitted on epoxy powder coated metal or plastic base mounted on insulators.

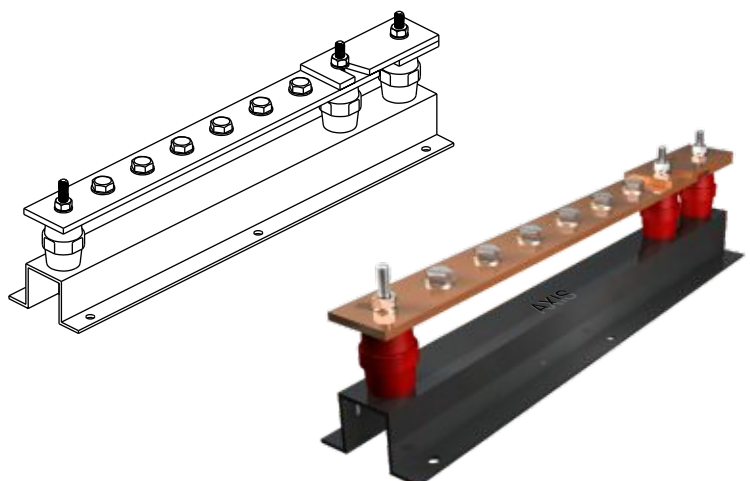
Recommended fixing - round head woodscrew 1-1/2" x no. 16 and wall plug. Range : 6 ways to 24 ways.

Description	Length (mm)	E-Code
6 Way	400	EB006
8 Way	500	EB008
10 Way	600	EB010
12 Way	700	EB012
14 Way	800	EB014
16 Way	900	EB016
18 Way	1000	EB018
20 Way	1100	EB020
22 Way	1200	EB022
24 Way	1300	EB024



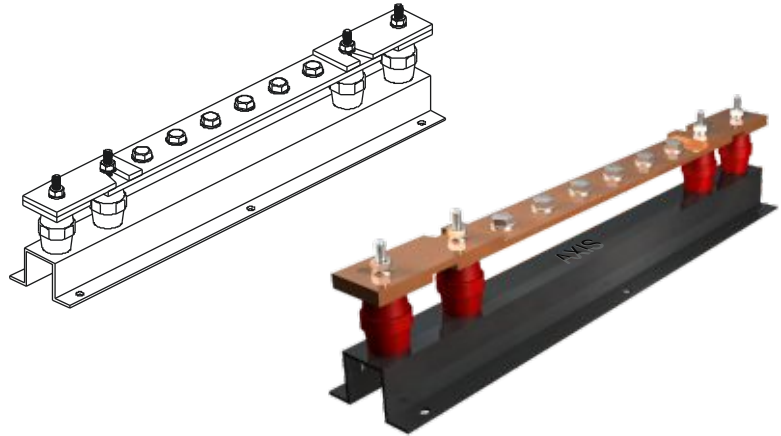
Earth Bars With Single Disconnecting Link

Description	Length (mm)	E-Code
6 Way	475	EBS006
8 Way	575	EBS008
10 Way	675	EBS010
12 Way	775	EBS012
14 Way	875	EBS014
16 Way	975	EBS016
18 Way	1075	EBS018
20 Way	1175	EBS020
22 Way	1275	EBS022
24 Way	1375	EBS024



Earth Bars With Twin Disconnecting Link

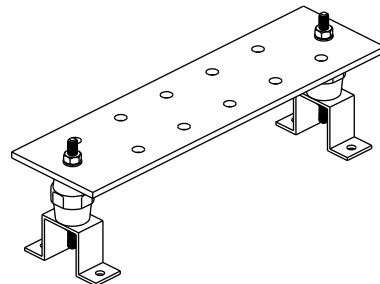
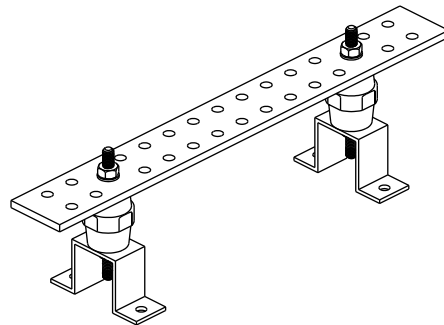
Description	Length (mm)	E-Code
6 Way	550	EBD006
8 Way	650	EBD008
10 Way	750	EBD010
12 Way	850	EBD012
14 Way	950	EBD014
16 Way	1050	EBD016
18 Way	1150	EBD018
20 Way	1250	EBD020
22 Way	1350	EBD022
24 Way	1450	EBD024



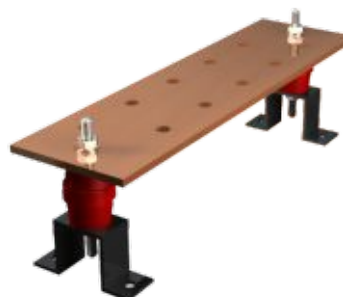
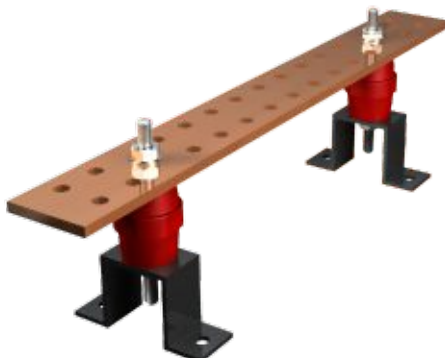
NOTE: OTHER TYPES AND SIZES AVAILABLE ON CUSTOMERS REQUEST.

Earth Bus Bar For Telecommunication

Bar Size In mm	Length In mm	No. Of M8 Size Holes	No. Of M12 Size Holes	E-Code
50 x 6	750	18	5	EBT506750
50 x 6	650	14	5	EBT506650
50 x 6	500	12	3	EBT506500
50 x 6	450	10	3	EBT506450
50 x 6	400	8	3	EBT506400
50 x 6	350	6	3	EBT506350
100 x 6	750	41	5	EBT1006750
100 x 6	650	33	5	EBT1006650
100 x 6	500	27	3	EBT1006500
100 x 6	450	23	3	EBT1006450
100 x 6	400	19	3	EBT1006400
100 x 6	350	15	3	EBT1006350



NOTE: OTHER TYPES AND SIZES AVAILABLE ON CUSTOMERS REQUEST.



'C' Type Connectors - Compression Type

These connectors are used for tap and Parallel connection of stranded copper cable in earthing application and are ideal for making permanent joints where periodic disconnection is not required.

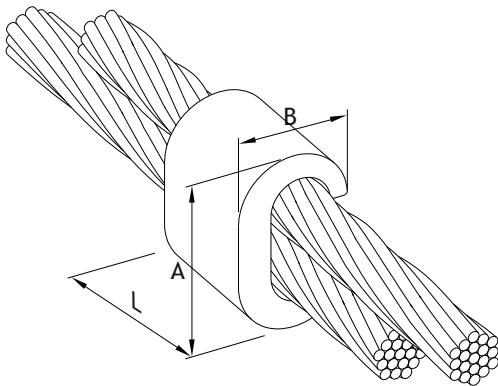
Material : Ec Grade Copper

Finish : Electro Tinned / Untinned

Cable Size In mm	Dimensions In mm			E-Code
	A	B	L	
C25 - C25	20.6	12	21	CC2525C
C35 - C35	26.4	15.4	21	CC3535C
C50 - C50	31	19.8	28	CC5050C
C70 - C70	31	19.8	28	CC7070C
C95 - C95	40	25.5	29	CC9595C
C120 - C120	44	27	31	CC120120C
C150 - C150	44.5	29.7	35	CC150150C
C185 - C185	51.8	30	35	CC185185C
C240 - C240	57.7	33.6	35	CC240240C
C16-35 - 50-70C	33.4	21	23	CC7035C
C25-50 - 70-95C	40.8	26	28	CC9550C



NOTE: OTHER TYPES AND SIZES AVAILABLE ON CUSTOMERS REQUEST.



Hexagon Head Set Screw

Material : Stainless Steel / Copper Alloy

Thread Size	Thread Length	E-Code
M6	10	AXS0610
	12	AXS0612
	16	AXS0616
	20	AXS0620
M8	16	AXS0816
	20	AXS0820
	25	AXS0825
	30	AXS0830
M10	16	AXS1016
	20	AXS1020
	25	AXS1025
	30	AXS1030
M12	35	AXS1035
	25	AXS1225
	30	AXS1230
	35	AXS1235
	40	AXS1240
	50	AXS1250



Hexagon Nut

Material : Stainless Steel / Copper Alloy

Thread Size	E-Code
M6	AXN006
M8	AXN008
M10	AXN010
M12	AXN012



Flat Round Washer

Material : Stainless Steel / Copper Alloy

Thread Size	E-Code
M6	AXW006
M8	AXW008
M10	AXW010
M12	AXW012



Spring Washer

Material : Stainless Steel / Copper Alloy

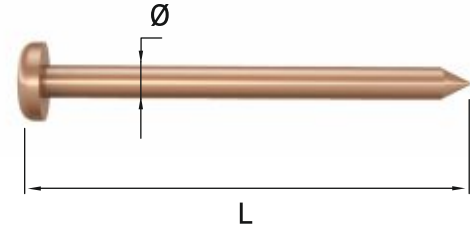
Thread Size	E-Code
M6	AXSW006
M8	AXSW008
M10	AXSW010
M12	AXSW012



Nail

Material : Copper Plated Mild Steel

Ø x L In (mm)	E-Code
3 x 50	AXSN0350
4 x 50	AXSN0450
5 x 50	AXSN0550
6 x 50	AXSN0650



Wood Screw

Material : Stainless Steel / Copper Alloy

Thread Size	E-Code
1 1/4" x NO. 10	AXWS114010
1 1/4" x NO. 12	AXWS114012
1 1/2" x NO. 10	AXWS112010
1 1/2" x NO. 12	AXWS112012



Plastic Wall Plugs

Material : Pvc Plastic

Screw Size	E-Code
M10	RWP010
M12	RWP012
M14	RWP014

OTHER SIZES ALSO AVAILABLE AS PER CUSTOMER REQUIREMENT



Benefits Of Using Stainless Steel Fasteners.

- All SS fasteners are manufactured from non magnetic grade SS 304.
- Highly corrosion resistant.
- No extra surface treatment required for protection against corrosion.
- High tensile strength for better torque ratings to ensure proper functioning of the products.



Axiweld

Exothermic welding



Axiweld



Exothermic welding

AxiWeld Exothermic welding is a simple, cost effective, self contained and portable process of forming high quality and permanent metal-to-metal connections.

The AxiWeld line of products are manufactured and tested in accordance to IEEE 837.

Through this process, connections are made by a reaction of a powdered copper compound and aluminium which allows superheated molten copper alloy to form on and around the conductors to be joined. The final connections are electrically conductive due to their high copper content and have strong corrosion resistant properties.

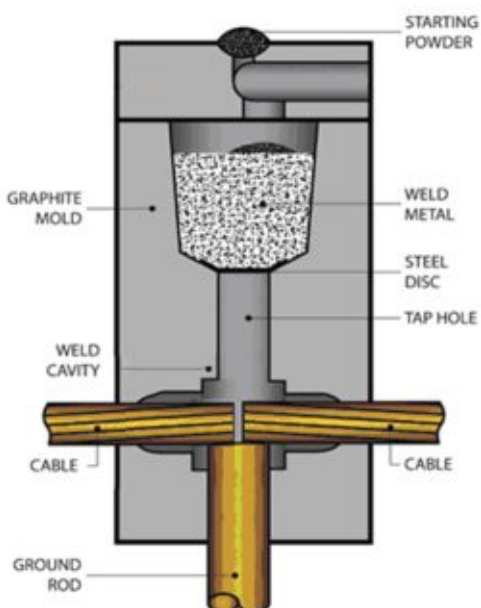
The exothermic welding process can be used to weld materials for electrical purposes including but not limited to:

Stainless Steel, Brass, Copper, Bronze, Galvanized Steel, Steel Rail, Cast Iron and Copper Clad Steel.



Tools and Accessories required :

1. Mould
2. Handle Clamp
3. Welding Powder
4. Retaining Disc
5. Brushes (Cable cleaning brush, Busbar cleaning brush, Mould cleaning brush.
6. Mould scrapper
7. Mould sealing compound
8. Flint Gun
9. Gloves
10. Safety Glasses
11. Hammer
12. Screw Driver
13. Flat file
14. Combination Plier



Axis Chemically Charged Rod Electrodes (ACRE)

Axis's Chemically Charged Rod Electrodes (ACRE) are made of Galvanised or Copper bonded steel pipes filled with Crystalline Chemical Compounds with ~60% Sodium Chloride and ~40% Calcium Chloride.

This combination permits high conductivity between the electrode and the ground allowing high fault currents to dissipate faster, thus making the structure safe.

AXIS
EARTHING
ELECTRODE

ACRE
Axis Chemically Charged Rod Electrodes

Galvanised or Copper bonded steel pipe

Crystalline Chemical Compounds with ~60% Sodium Chloride and ~40% Calcium Chloride

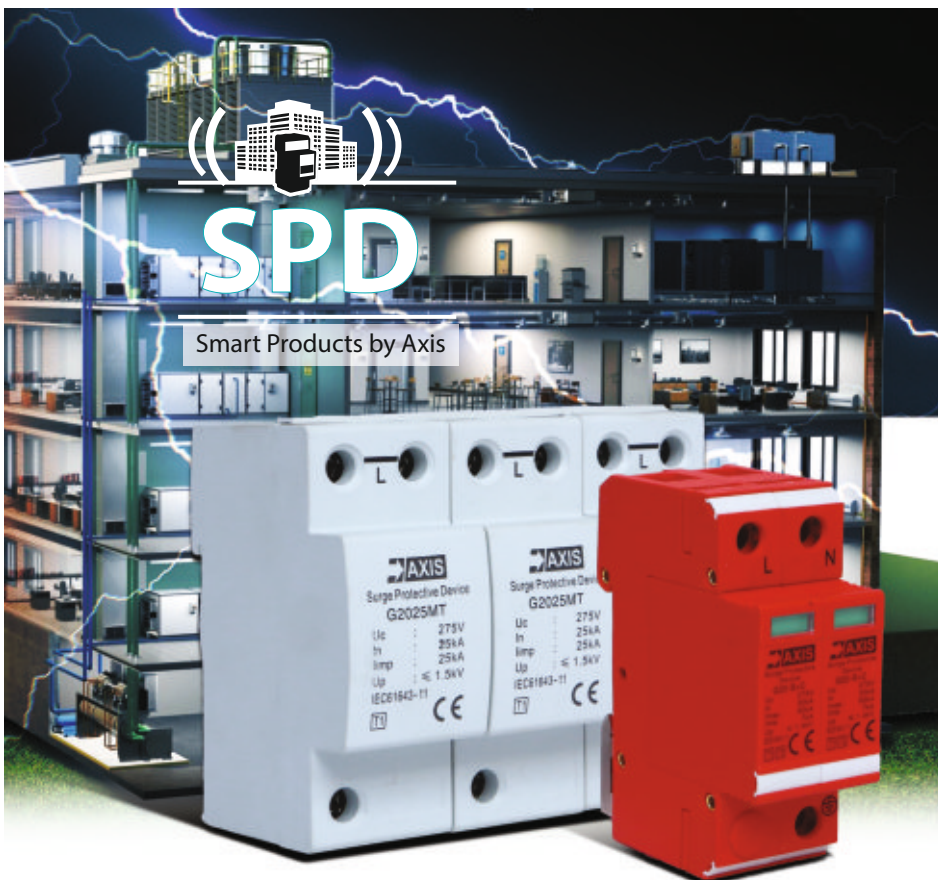
Crystalline Chemical Compounds filled in copper bonded steel pipes, increasing the conductivity between the electrode and the

INSTRUCTION
Please Remove
Indicap Before
Installation

Axis Smart Lightning Arrestors (ASLA)



Surge Protection Device (SPD)

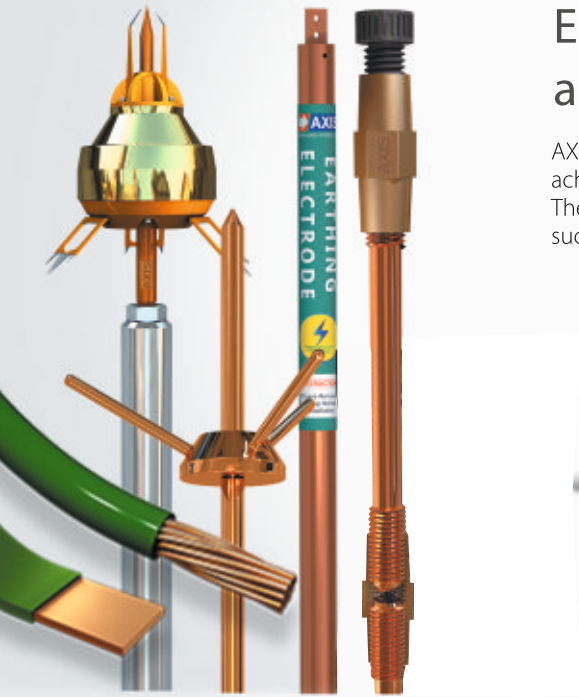


For more information,
Please visit:

www.axis-india.com

Earthing & Lightning Protection System and Exo Thermic Welding

AXIS provides complete range of E & LP products & system in order to achieve total protection to the Structures, Equipment and community. These products are manufactured in accordance to International standards such as BS EN, UL & IS



Electrical Connectors

Axis manufactures wide range of Lugs and Connectors sizes ranging from 1.5mm² - 1200mm² of Copper, Aluminum & Bimetal. These products are Compression or Bolted type. Popular standards such as BSEN, IS & UL are followed to manufacture and to test these Connectors.



65



Cable Management System

AXIS Cable Glands and accessories are manufactured according to the functional requirements of IEC 62444 and DIN standards. AXIS Cable Cleats are manufactured in accordance with IEC 61914.

AXIS Cable Ties can be supplied with other accessories like Markers, I.D. Tags & Carriers used in oil refineries, petrochemical industries and other utilities worldwide. These cable ties comply to UL-1565 and BS EN 62275 standards.





TESTED PRODUCTS
EFFICIENT SERVICE
TRUSTED BRAND

Aerial Bundled Conductor Solution

AXIS Aerial Bundled Cable (ABC) fittings provide high quality, long lasting and safe solutions for LT distribution networks.

We have supplied these products to major utilities across the world and our products are manufactured as per NFC, IEC, BS EN and IS standards.



Poleline Hardware

AXIS offers complete range of OH line Hardware for LV, MV & HV Electrical distribution line systems. These products are manufactured taking into consideration international standards and Utility specific requirements.



CERTIFICATIONS

AN ISO 9001 : 2015 COMPANY



20000284 QM15



Underwriter Laboratories Inc. (UL)

Grounding and Bonding Equipment

UL-491 File No. E232885

Wire Connectors and Soldering Lugs

UL-467 File No. E236342



Power Grid Corporation
of India Limited

NFC
Standards



NATIONAL THERMAL POWER
CORPORATION



STAR EXPORT HOUSE

Recognition by Government of India

2025 Edition

Talk to us



International Sales

AXIS ELECTRICAL COMPONENTS (I) P. LTD.

Registered Office: AXIS House, Plot No. 149 BCD
Kandivali Co-op Industrial Estate Ltd., Kandivali (W),
Mumbai – 400067, Maharashtra, India. Tel: +91-22-67756000
email: sales@axis-india.com | Website: www.axis-india.com