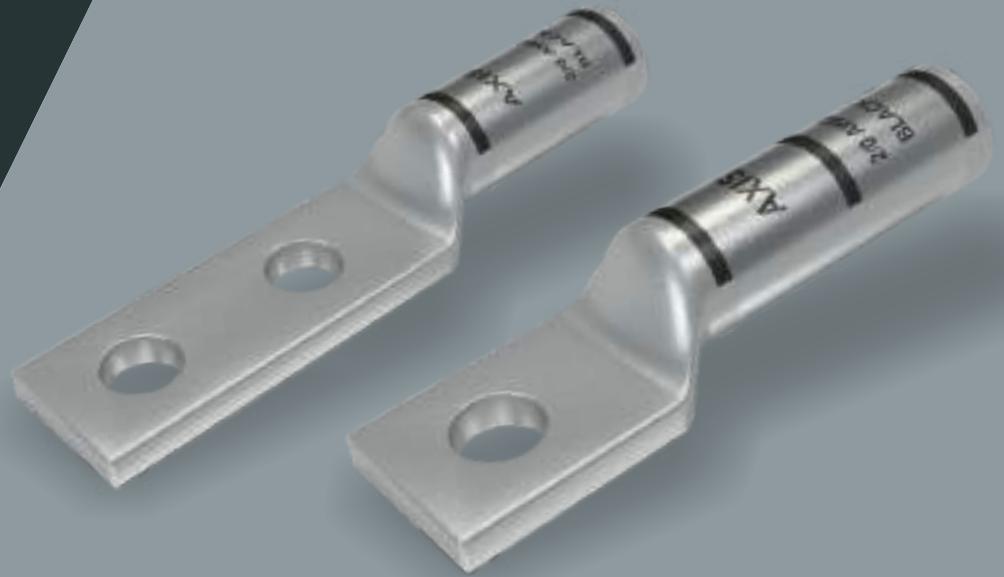


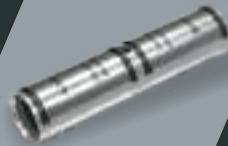


TM | TESTED PRODUCTS
EFFICIENT SERVICE
TRUSTED BRAND

Product Catalog



Cable Lugs & Connectors



Also Includes

Flexible Connectors

Axi-Weld - Exothermic Welding

Cable Ties



AXIS ELECTRICAL COMPONENTS (I) P. LTD.

AN ISO 9001 : 2015 COMPANY



NFC
Standards



Company Profile

Leading Manufacturer & Exporter

Axis is the leading Indian Manufacturer & Exporter of a wide range of Electrical Components used in Electrical Installations and in the Equipment Building industry. Our main customer base consist of Distributors/Wholesalers of Electrical Products, Electrical Contractors & Installers, Equipment Manufacturers, Maintenance Companies and Government Authorities.

Exports to more than 80 Countries Worldwide

Over the years, Axis has supplied high quality and tested products to thousands of customers in over 80 countries. As a result, the Axis brand has become synonymous with Quality.

International Certifications

Axis invests heavily in continuous improvements in its products and manufacturing processes. This allows Axis to always be ahead of the curve through certifications and approvals from around the world. Products manufactured by Axis follow widely accepted international such as BS, DIN, UL, NFC, AS/NZ & Indian Standard (IS). CRISIL India, an S&P subsidiary, rated Axis as having the highest performance capabilities and strong financial strength.

Constant Improvement

Axis's dual focus on foreseeing customer requirements and looking at the future of the industry, translates to a continuous desire to evolve and upgrade our product offerings.

Quality Management

Our goal is to provide each customer with products, systems and services that meet the highest standards of quality. To assure quality management, Axis has achieved an ISO 9001 Certification.

INDEX

COPPER COMPRESSION LUGS (TERMINALS)

Standard Barrel - 1 Hole Tongue With Inspection Window	01 - 03
Standard Barrel - Blank Tongue Without Inspection Window (For 1 Hole)	04 - 05
Long Barrel - 1 Hole Tongue With Or Without Inspection Window	06 - 08
Long Barrel - Blank Tongue With Or Without Inspection Window (For 1 Hole)	09 - 10
Standard Barrel - 2 Hole Tongue With Inspection Window	11 - 14
Standard Barrel - Blank Tongue With Inspection Window (For 2 Holes)	15 - 17
Standard Barrel - 2 Hole Tongue Break Away Feature Without Inspection Window	18 - 19
Standard Barrel - 2 Hole Slotted Tongue Without Inspection Window	20 - 21
Standard Barrel - 2 Hole Slotted Tongue Break Away Feature Without Inspection Window	22 - 23
Long Barrel - 2 Hole Tongue With Or Without Inspection Window	24 - 27
Long Barrel - Blank Tongue With Or Without Inspection Window (For 2 Holes)	28 - 30
Long Barrel - 2 Hole Tongue Break Away Feature With Or Without Inspection Window	31 - 33
Long Barrel - 2 Hole Slotted Tongue With Or Without Inspection Window	34 - 36
Long Barrel - 2 Hole Slotted Tongue Break Away Feature With Or Without Inspection Window	37 - 39

COPPER COMPRESSION CONNECTORS (SPLICES)

Standard Length Compression Connector	40
Long Length Compression Connector	41

COPPER COMPRESSION LUGS (TERMINALS) - FLARED BARREL

Standard Flared Barrel - 1 Hole Tongue With Inspection Window	42 - 44
Standard Flared Barrel - Blank Tongue Without Inspection Window (For 1 Hole)	45 - 46
Long Flared Barrel - 1 Hole Tongue With Or Without Inspection Window	47 - 49
Long Flared Barrel - Blank Tongue With Or Without Inspection Window (For 1 Hole)	50 - 51
Standard Flared Barrel - 2 Hole Tongue With Inspection Window	52 - 54
Standard Flared Barrel - Blank Tongue With Inspection Window (For 2 Holes)	55 - 57
Standard Flared Barrel - 2 Hole Tongue Break Away Feature Without Inspection Window	58 - 59
Standard Flared Barrel - 2 Hole Slotted Tongue Without Inspection Window	60 - 61
Standard Flared Barrel - 2 Hole Slotted Tongue Break Away Feature Without Inspection Window	62 - 63
Long Flared Barrel - 2 Hole Tongue With Or Without Inspection Window	64 - 67

INDEX

COPPER COMPRESSION LUGS (TERMINALS) - FLARED BARREL

Long Flared Barrel	- Blank Tongue With Or Without Inspection Window (For 2 Holes)	68 - 70
Long Flared Barrel	- 2 Hole Tongue Break Away Feature With Or Without Inspection Window	71 - 74
Long Flared Barrel	- 2 Hole Slotted Tongue With Or Without Inspection Window	75 - 77
Long Flared Barrel	- 2 Hole Slotted Tongue Break Away Feature With Or Without Inspection Window	78 - 80

COPPER COMPRESSION CONNECTOR (SPLICES) - FLARED BARREL

Standard Length Flared Barrel Compression Connector	81
Long Length Flared Barrel Compression Connector	82

COPPER COMPRESSION LUGS (TERMINALS)

Standard Barrel - 1 Hole Tongue - 45° Angle	83 - 84
Standard Barrel - 1 Hole Tongue - 90° Angle	85 - 86
Standard Barrel - 2 Hole Tongue - 45° Angle	87
Standard Barrel - 2 Hole Tongue - 90° Angle	88

ALUMINIUM COMPRESSION LUGS (TERMINALS)

Long Barrel - 1 Hole Tongue	89 - 90
Long Barrel - 2 Hole Tongue	91

ALUMINIUM COMPRESSION CONNECTOR (SPLICES)

Long Length Compression Connector	92
-----------------------------------	----

COPPER COMPRESSION CONNECTORS (SPLICES)

Copper Heavy Duty Starter Connector	93
Copper Standard Wall Starter Connector	94

COPPER COMPRESSION LUGS (TERMINALS)

Copper Standard Wall Starter Lugs	95
Copper Heavy Duty Starter Lugs	96
Copper Single Hole Soldering Lugs	97

INDEX

CRIMPING TOOL DETAILS

Crimping Tool Details For Copper Connectors	98
Crimping Tool Details For Aluminium Connectors	99

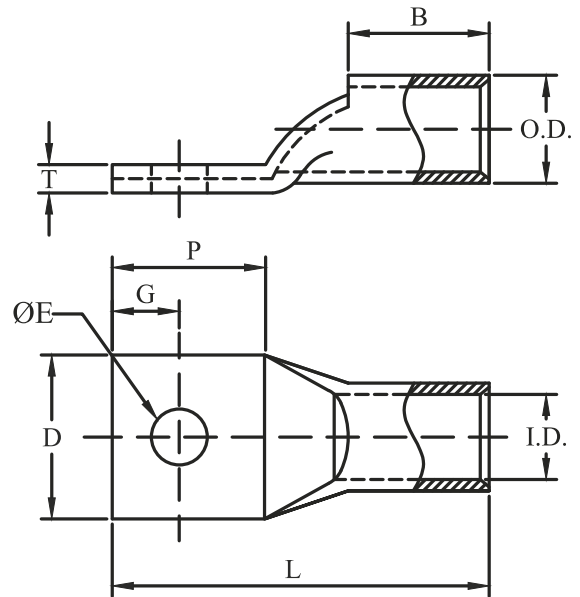
BIMETALLIC LUGS & CONNECTORS

ADTL 2	100
Bimetallic Connector	101

Copper Compression Lugs Standard Barrel - 1 Hole with Inspection Window

Material : E-Copper
Finish : Electro-Tinned
Application : Up To 35 kVA
Voltage Rating : 600 Volts / 90°C

Features :
 With Inspection Window

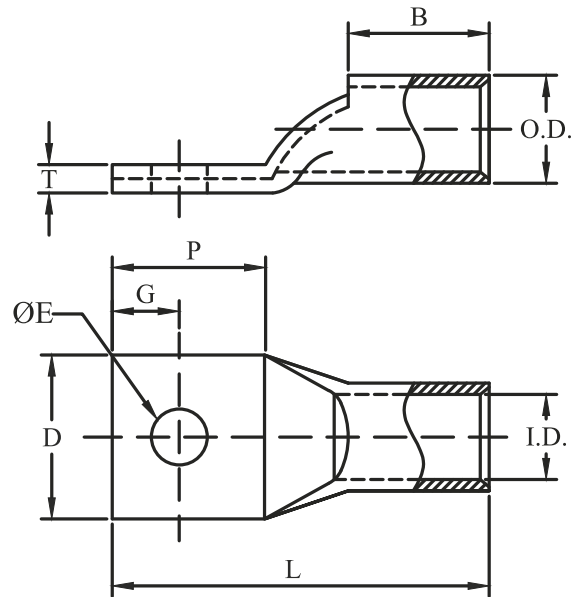


E-Code	Conductor AWG	Conductor MM ²	Bolt Size	Stud Hole ØE	Dimensions						Color Code		
					D	T	G	P	B	L			
ATS8C10I	8 AWG	10	#10	0.21	0.42	0.08	0.28	0.59	0.49	1.20	Red		
ATS8C14I			1/4	0.25									
ATS8C516I			5/16	0.33	0.49	0.06	0.30	0.63		1.24			
ATS8C38I			3/8	0.41	0.56	0.05				0.67		1.28	
ATS6C10I	6 AWG	-	#10	0.21	0.42	0.08	0.30	0.67	0.71	1.50	Blue		
ATS6C14I			1/4	0.25									
ATS6C516I			5/16	0.33	0.49	0.07							
ATS6C38I			3/8	0.41	0.57	0.05							
ATS6C12I			1/2	0.51	0.71	0.04				0.40		0.90	1.73
ATS4C10I	4 AWG	-	#10	0.21	0.49	0.08	0.31	0.67	0.71	1.50	Gray		
ATS4C14I			1/4	0.25									
ATS4C516I			5/16	0.33	0.56	0.07							
ATS4C38I			3/8	0.41	0.56	0.07				0.40		0.90	1.73
ATS4C12I			1/2	0.51	0.71	0.05							
ATS3C10I	3 AWG	25	#10	0.21	0.50	0.09	0.31	0.81	0.83	1.80	White		
ATS3C14I			1/4	0.25									
ATS3C516I			5/16	0.33	0.55								
ATS3C38I			3/8	0.41	0.59					0.08			
ATS3C12I			1/2	0.51	0.71					0.07		0.40	0.90

Copper Compression Lugs Standard Barrel - 1 Hole with Inspection Window

Material : E-Copper
Finish : Electro-Tinned
Application : Up To 35 kVA
Voltage Rating : 600 Volts / 90°C

Features :
 With Inspection Window



E-Code	Conductor AWG	Conductor MM ²	Bolt Size	Stud Hole ØE	Dimensions						Color Code
					D	T	G	P	B	L	
ATS2C10I	2 AWG	35	#10	0.21	0.60	0.10	0.37	0.81	0.83	1.80	Brown
ATS2C14I			1/4	0.25							
ATS2C516I			5/16	0.33							
ATS2C38I			3/8	0.41							
ATS2C12I	1 AWG	50	1/2	0.51	0.71	0.08	0.40	0.90	0.83	1.89	Green
ATS1C14I			1/4	0.25	0.67	0.11	0.37	0.81		1.83	
ATS1C516I			5/16	0.33							
ATS1C38I			3/8	0.41							
ATS1C12I	1/0 AWG	-	1/2	0.51	0.71	0.10	0.40	0.90	0.83	1.92	Pink
ATS10C14I			1/4	0.25	0.74	0.13	0.37	0.81		1.83	
ATS10C516I			5/16	0.33							
ATS10C38I			3/8	0.41							
ATS10C12I	2/0 AWG	70	1/2	0.51	0.81	0.12	0.47	1.06	0.94	2.24	Black
ATS20C14I			1/4	0.25							
ATS20C516I			5/16	0.33							
ATS20C38I			3/8	0.41							
ATS20C12I	3/0 AWG	-	1/2	0.51	0.90	0.13	0.47	1.06	0.98	2.36	Orange
ATS30C14I			1/4	0.25							
ATS30C516I			5/16	0.33							
ATS30C38I			3/8	0.41							
ATS30C12I			1/2	0.51							

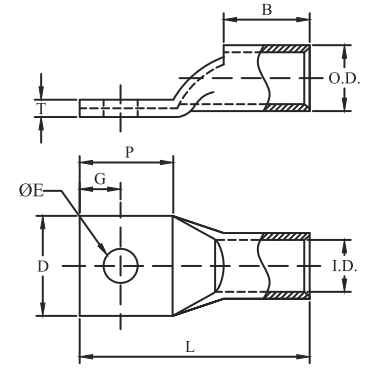
• For Crimping Tool details please refer to page no. 93

Copper Compression Lugs Standard Barrel - 1 Hole with Inspection Window

Material : E-Copper
 Finish : Electro-Tinned
 Application : Up To 35 kVA
 Voltage Rating : 600 Volts / 90°C

Features :
 With Inspection Window

• For Crimping Tool details please refer to page no. 111



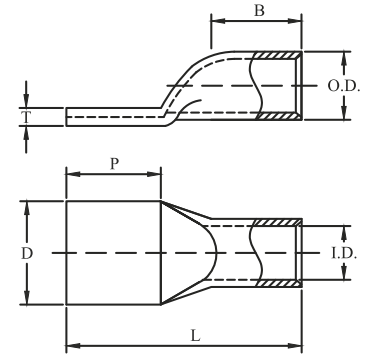
E-Code	Conductor AWG	Conductor MM ²	Bolt Size	Stud Hole ØE	Dimensions						Color Code
					D	T	G	P	B	L	
ATS40C14I	4/0 AWG	-	1/4	0.25	1.00	0.13	0.47	1.06	0.98	2.36	Purple
ATS40C516I			5/16	0.33							
ATS40C38I			3/8	0.41							
ATS40C12I			1/2	0.51							
ATS40C34I			3/4	0.75	1.19	0.12	0.63	1.46			
ATS250C14I	250 kcmil	-	1/4	0.25	1.09	0.15	0.47	1.06	1.06	2.48	Yellow
ATS250C516I			5/16	0.33							
ATS250C38I			3/8	0.41							
ATS250C12I			1/2	0.51							
ATS300C516I	300 kcmil	150	5/16	0.33	1.19	0.15	0.52	1.06	1.06	2.48	White
ATS300C38I			3/8	0.41							
ATS300C12I			1/2	0.51							
ATS300C58I			5/8	0.67			1.38	2.80			
ATS300C34I			3/4	0.75			0.63	1.46		2.88	
ATS350C38I	350 kcmil	185	3/8	0.41	1.28	0.17	0.52	1.06	1.10	2.60	Red
ATS350C12I			1/2	0.51							
ATS350C58I			5/8	0.67							
ATS400C38I	400 kcmil	-	3/8	0.41	1.39	0.18	0.52	1.46	1.18	3.11	Blue
ATS400C12I			1/2	0.51							
ATS400C58I			5/8	0.67							
ATS500C38I	500 kcmil	240	3/8	0.41	1.54	0.22	0.52	1.38	1.38	3.27	Brown
ATS500C12I			1/2	0.51							
ATS500C58I			5/8	0.67							
ATS500C34I			3/4	0.75			0.63	1.46		3.35	
ATS600C12I	600 kcmil	300	1/2	0.67	1.72	0.25	0.52	1.46	1.50	3.50	Green
ATS600C58I			5/8	0.51							
ATS700C12I	700 kcmil	-	1/2	0.67	1.78	0.27	0.69	1.85	1.85	4.37	Pink
ATS700C58I			5/8	0.51							
ATS750C12I	750 kcmil	-	1/2	0.51	1.90	0.27	0.69	1.85	1.85	4.37	Black
ATS750C58I			5/8	0.67							
ATS750C34I			3/4	0.75							
ATS800C12I	800 kcmil	400	1/2	0.51	1.93	0.27	0.69	1.85	1.85	4.37	Orange
ATS800C58I			5/8	0.67							
ATS1000C12I	1000 kcmil	500	1/2	0.51	2.18	0.33	0.69	1.85	1.91	4.43	White
ATS1000C58I			5/8	0.67							
ATS1000C1I			1	1.00							

Copper Compression Lugs Standard Barrel - 1 Hole Blank Tongue Without Inspection Window

Material : E-Copper
Finish : Electro-Tinned
Application : Up To 35 kVA
Voltage Rating : 600 Volts / 90°C

Features :
 Blank Tongue to select custom Hole sizes & Spacings

• For Crimping Tool details please refer to page no. 93



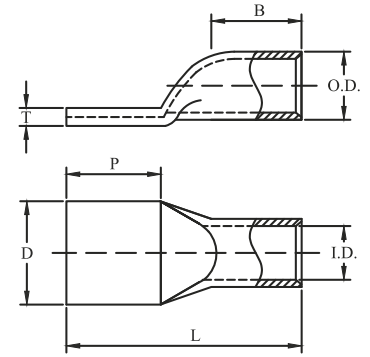
E-Code	Conductor AWG	Conductor MM ²	Bolt Size	Dimensions					Color Code				
				D	T	P	B	L					
ATS8CB14	8 AWG	10	#10	0.42	0.08	0.59	0.49	1.20	Red				
ATS8CB516			1/4							0.49	0.06	0.63	1.24
ATS8CB38			3/8							0.56	0.05	0.67	1.28
ATS6CB14	6 AWG	-	#10	0.42	0.08	0.67	0.71	1.50	Blue				
ATS6CB516			1/4							0.49	0.07		
ATS6CB38			3/8							0.57	0.05		
ATS6CB12			1/2			0.71				0.04	0.90	1.73	
ATS4CB516	4 AWG	-	#10	0.49	0.08	0.67	0.71	1.50	Gray				
ATS4CB38			1/4							0.49	0.07		
ATS4CB12			3/8							0.56	0.07		
ATS4CB12			1/2			0.71				0.05	0.90	1.73	
ATS3CB14	3 AWG	25	#10	0.50	0.09	0.81	0.83	1.80	White				
ATS3CB516			1/4							0.55			
ATS3CB38			3/8							0.59	0.08		
ATS3CB12			1/2		0.71					0.07	0.90	1.89	
ATS2CB38	2 AWG	35	#10	0.60	0.10	0.81	0.83	1.80	Brown				
ATS2CB12			1/4							0.60	0.10		
ATS2CB12			5/16							0.60	0.10		
ATS2CB12			3/8			0.60				0.10			
ATS1CB38	1 AWG	50	1/4	0.67	0.11	0.81	0.83	1.83	Green				
ATS1CB12			5/16							0.67	0.11	0.81	1.83
ATS1CB12			3/8							0.67	0.11	0.81	1.83
ATS10CB38	1/0 AWG	-	1/4	0.74	0.13	0.81	0.83	1.83	Pink				
ATS10CB12			5/16							0.74	0.13	0.81	1.83
ATS10CB12			3/8			0.74				0.13	0.81	1.83	
ATS20CB12	2/0 AWG	70	1/4	0.81	0.12	1.06	0.94	2.24	Black				
ATS20CB12			5/16							0.81	0.12	1.06	2.24
ATS20CB12			3/8							0.81	0.12	1.06	2.24
ATS20CB12			1/2							0.81	0.12	1.06	2.24
ATS30CB12	3/0 AWG	-	1/4	0.90	0.13	1.06	0.98	2.36	Orange				
ATS30CB12			5/16							0.90	0.13	1.06	2.36
ATS30CB12			3/8							0.90	0.13	1.06	2.36
ATS30CB12			1/2							0.90	0.13	1.06	2.36

Copper Compression Lugs Standard Barrel - 1 Hole Blank Tongue Without Inspection Window

Material : E-Copper
Finish : Electro-Tinned
Application : Up To 35 kVA
Voltage Rating : 600 Volts / 90°C

Features :
 Blank Tongue to select custom Hole sizes & Spacings

• For Crimping Tool details please refer to page no. 93



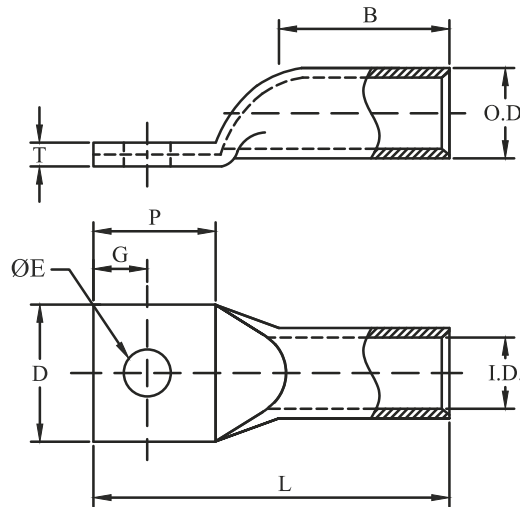
E-Code	Conductor AWG	Conductor MM ²	Bolt Size	Dimensions					Color Code	
				D	T	P	B	L		
ATS40CB12	4/0 AWG	-	1/4	1.00	0.13	1.06	0.98	2.36	Purple	
			5/16							
			3/8							
			1/2							
ATS40CB34			3/4	1.19	0.12	1.46		2.76		
ATS250CB12	250 kcmil	-	1/4	1.09	0.15	1.06	1.06	2.48	Yellow	
			5/16							
			3/8							
			1/2							
ATS300CB12	300 kcmil	150	5/16	1.19	0.15	1.06	1.06	2.48	White	
			3/8							
ATS300CB58						5/8		1.38		2.80
ATS300CB34						3/4				
ATS350CB12	350 kcmil	185	3/8	1.28	0.17	1.06	1.10	2.60	Red	
			1/2							
ATS350CB58						5/8		1.38		2.91
ATS400CB58	400 kcmil	-	3/8	1.39	0.18	1.46	1.18	3.11	Blue	
			1/2							
			5/8							
ATS500CB58	500 kcmil	240	3/8	1.54	0.22	1.38	1.38	3.27	Brown	
			1/2							
ATS500CB34						3/4		1.46		3.35
ATS600CB58	600 kcmil	300	1/2	1.72	0.25	1.46	1.50	3.50	Green	
			5/8							
ATS700CB58	700 kcmil	-	1/2	1.78	0.27	1.85	1.85	4.37	Pink	
			5/8							
ATS750CB34	750 kcmil	-	1/2	1.90	0.27	1.85	1.85	4.37	Black	
			5/8							
			3/4							
ATS800CB58	800 kcmil	400	1/2	1.93	0.27	1.85	1.85	4.37	Orange	
			5/8							
ATS1000CB1	1000 kcmil	500	1/2	2.18	0.33	1.85	1.91	4.43	White	
			5/8							
			1							

Copper Compression Lugs Long Barrel - 1 Hole With or Without Inspection Window

Material : E-Copper
Finish : Electro-Tinned
Application : Up To 35 kVA
Voltage Rating : 600 Volts / 90°C

Features :
 Long Barrel for Better Mechanical & Electrical Properties

• For Crimping Tool details please refer to page no. 93



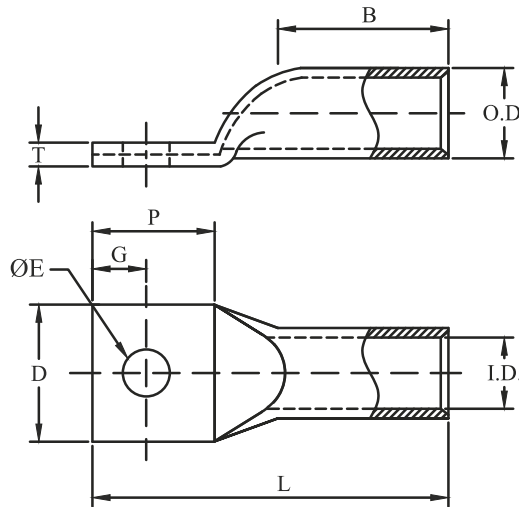
E-Code	Conductor AWG	Conductor MM ²	Bolt Size	Stud Hole ØE	Dimensions						Color Code					
					D	T	G	P	B	L						
ATL8C10	8 AWG	10	#10	0.21	0.42	0.08	0.28	0.59	0.81	1.52	Red					
ATL8C14			1/4	0.25												
ATL8C38			3/8	0.41								0.57	0.05	0.31	0.67	
ATL6C10	6 AWG	-	#10	0.21	0.42	0.08	0.30	0.67	0.98	1.77	Blue					
ATL6C14			1/4	0.25												
ATL6C516			5/16	0.33								0.51	0.07	0.37	0.81	1.91
ATL6C38			3/8	0.41								0.59	0.05			
ATL4C10	4 AWG	-	#10	0.21	0.49	0.09	0.31	0.67	0.98	1.77	Gray					
ATL4C14			1/4	0.25												
ATL4C516			5/16	0.33								0.59	0.07	0.37	0.81	1.91
ATL4C38			3/8	0.41												
ATL3C10	3 AWG	25	#10	0.21	0.50	0.09	0.31	0.81	1.10	2.07	White					
ATL3C14			1/4	0.25												
ATL3C516			5/16	0.33												
ATL3C38			3/8	0.41								0.59	0.08	0.37		
ATL3C12			1/2	0.51								0.74	0.06	0.47	1.10	2.36

Copper Compression Lugs Long Barrel - 1 Hole With or Without Inspection Window

Material : E-Copper
Finish : Electro-Tinned
Application : Up To 35 kVA
Voltage Rating : 600 Volts / 90°C

Features :
 Long Barrel for Better Mechanical & Electrical Properties

• For Crimping Tool details please refer to page no. 93



E-Code	Conductor AWG	Conductor MM ²	Bolt Size	Stud Hole ØE	Dimensions						Color Code
					D	T	G	P	B	L	
ATL2C10	2 AWG	35	#10	0.21	0.60	0.10	0.37	0.81	1.10	2.07	Brown
ATL2C14			1/4	0.25							
ATL2C516			5/16	0.33							
ATL2C38			3/8	0.41							
ATL2C12			1/2	0.51	0.74	0.06	0.47	1.10	2.36		
ATL1C10	1 AWG	50	#10	0.21	0.67	0.11	0.37	0.81	1.10	2.11	Green
ATL1C14			1/4	0.25							
ATL1C516			5/16	0.33							
ATL1C38			3/8	0.41							
ATL1C12			1/2	0.51	0.74	0.06	0.47	1.10	2.40		
ATL10C10	1/0 AWG	-	#10	0.21	0.74	0.13	0.37	0.81	1.20	2.21	Pink
ATL10C14			1/4	0.25							
ATL10C516			5/16	0.33							
ATL10C38			3/8	0.41							
ATL10C12			1/2	0.51	0.47	1.10	2.50				
ATL20C14	2/0 AWG	70	1/4	0.25	0.81	0.12	0.47	1.06	1.38	2.68	Black
ATL20C516			5/16	0.33							
ATL20C38			3/8	0.41							
ATL20C12			1/2	0.51							
ATL30C14	3/0 AWG	-	1/4	0.25	0.90	0.13	0.47	1.06	1.42	2.80	Orange
ATL30C516			5/16	0.33							
ATL30C38			3/8	0.41							
ATL30C12			1/2	0.51							

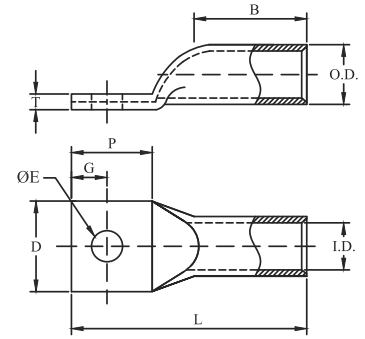
Note : Add Suffix "I" after E-Code for Inspection window feature

Copper Compression Lugs Long Barrel - 1 Hole With or Without Inspection Window

Material : E-Copper
Finish : Electro-Tinned
Application : Up To 35 kVA
Voltage Rating : 600 Volts / 90°C

Features :
 Long Barrel for Better Mechanical & Electrical Properties

• For Crimping Tool details please refer to page no. 93



E-Code	Conductor AWG	Conductor MM ²	Bolt Size	Stud Hole ØE	Dimensions						Color Code
					D	T	G	P	B	L	
ATL40C14	4/0 AWG	-	1/4	0.25	1.00	0.13	0.52	1.06	1.42	2.80	Purple
ATL40C516			5/16	0.33							
ATL40C38			3/8	0.41							
ATL40C12			1/2	0.51							
ATL250C516	250 kcmil	-	5/16	0.33	1.09	0.15	0.52	1.06	1.59	3.03	Yellow
ATL250C38			3/8	0.41							
ATL250C12			1/2	0.51							
ATL300C12	300 kcmil	150	1/2	0.51	1.19	0.15	0.52	1.06	1.95	3.39	White
ATL350C38	350 kcmil	185	3/8	0.41	1.28	0.17	0.51	1.06	1.97	3.46	Red
ATL350C12			1/2	0.51							
ATL350C58			5/8	0.67							
ATL400C38	400 kcmil	-	3/8	0.41	1.39	0.18	0.51	1.40	1.99	3.86	Blue
ATL400C12			1/2	0.51							
ATL400C58			5/8	0.67							
ATL500C38	500 kcmil	240	3/8	0.41	1.54	0.22	0.51	1.40	2.26	4.13	Brown
ATL500C12			1/2	0.51							
ATL500C58			5/8	0.67							
ATL600C12	600 kcmil	300	1/2	0.51	1.72	0.25	0.69	1.50	2.26	4.25	Green
ATL600C58			5/8	0.67							
ATL700C12	700 kcmil	-	1/2	0.51	1.77	0.27	0.69	1.85	2.64	5.16	Pink
ATL700C58			5/8	0.67							
ATL750C12	750 kcmil	-	1/2	0.51	1.90	0.27	0.69	1.85	2.64	5.16	Black
ATL750C58			5/8	0.67							
ATL800C12	800 kcmil	400	1/2	0.51	1.93	0.27	0.69	1.85	2.64	5.16	Orange
ATL800C58			5/8	0.67							
ATL1000C12	1000 kcmil	500	1/2	0.51	2.18	0.33	0.69	1.85	3.15	5.67	White
ATL1000C58			5/8	0.67							

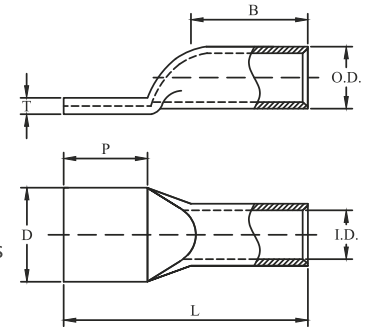
Note : Add Suffix "I" after E-Code for Inspection window feature

Copper Compression Lugs Long Barrel - Blank Tongue With or Without Inspection Window for 1 Hole

Material : E-Copper
Finish : Electro-Tinned
Application : Up To 35 kVA
Voltage Rating : 600 Volts / 90°C

Features :
 Long Barrel for Better Mechanical & Electrical Properties
 Blank Tongue to select custom Hole sizes & Spacings

• For Crimping Tool details please refer to page no. 93



E-Code	Conductor AWG	Conductor MM ²	Bolt Size	Dimensions					Color Code
				D	T	P	B	L	
ATL8CB14	8 AWG	10	#10	0.42	0.08	0.59	0.81	1.52	Red
ATL8CB38			1/4						
ATL6CB14	6 AWG	-	#10	0.42	0.08	0.67	0.98	1.77	Blue
ATL6CB516			1/4						
ATL6CB38			5/16	0.07	0.81	1.91			
ATL4CB516	4 AWG	-	#10	0.49	0.09	0.67	0.98	1.77	Gray
ATL4CB38			1/4						
ATL4CB38			5/16	0.05	0.81	1.91			
ATL3CB516	3 AWG	25	#10	0.50	0.09	0.81	1.10	2.07	White
ATL3CB38			1/4						
ATL3CB12			5/16	0.08	1.10	2.36			
ATL3CB12			3/8	0.06	1.10	2.36			
ATL2CB38	2 AWG	35	#10	0.60	0.10	0.81	1.10	2.07	Brown
ATL2CB12			1/4						
ATL2CB12			5/16	0.06	1.10	2.36			
ATL2CB12			3/8	0.06	1.10	2.36			
ATL1CB516	1 AWG	50	#10	0.67	0.11	0.81	1.10	2.11	Green
ATL1CB38			1/4						
ATL1CB12			5/16	0.06	1.10	2.40			
ATL1CB12			3/8	0.06	1.10	2.40			
ATL10CB38	1/0 AWG	-	#10	0.74	0.13	0.81	1.20	2.21	Pink
ATL10CB12			1/4						
ATL10CB12			5/16	0.06	1.10	2.50			
ATL10CB12			3/8	0.06	1.10	2.50			
ATL20CB12	2/0 AWG	70	1/4	0.81	0.12	1.06	1.38	2.68	Black
ATL20CB12			5/16						
ATL20CB12			3/8						
ATL20CB12			1/2						

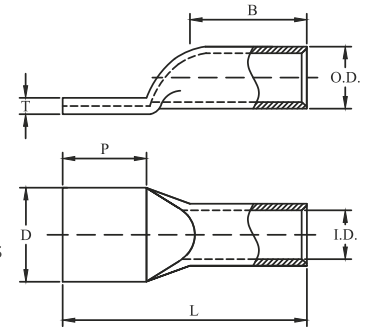
Note : Add Suffix "I" after E-Code for Inspection window feature

Copper Compression Lugs Long Barrel - Blank Tongue With or Without Inspection Window for 1 Hole

Material : E-Copper
Finish : Electro-Tinned
Application : Up To 35 kVA
Voltage Rating : 600 Volts / 90°C

Features :
 Long Barrel for Better Mechanical & Electrical Properties
 Blank Tongue to select custom Hole sizes & Spacings

• For Crimping Tool details please refer to page no. 93



E-Code	Conductor AWG	Conductor MM ²	Bolt Size	Dimensions					Color Code
				D	T	P	B	L	
ATL30CB12	3/0 AWG	-	1/4	0.90	0.13	1.06	1.42	2.80	Orange
			5/16						
			3/8						
			1/2						
ATL40CB12	4/0 AWG	-	1/4	1.00	0.13	1.06	1.42	2.80	Purple
			5/16						
			3/8						
			1/2						
ATL250CB12	250 kcmil	-	5/16	1.09	0.15	1.06	1.59	3.03	Yellow
			3/8						
			1/2						
ATL300CB12	300 kcmil	150	1/2	1.19	0.15	1.06	1.95	3.39	White
ATL350CB58	350 kcmil	185	3/8	1.28	0.17	1.06	1.97	3.46	Red
			1/2						
			5/8						
ATL400CB58	400 kcmil	-	3/8	1.39	0.18	1.40	1.99	3.86	Blue
			1/2						
			5/8						
ATL500CB58	500 kcmil	240	3/8	1.54	0.22	1.40	2.26	4.13	Brown
			1/2						
			5/8						
ATL600CB58	600 kcmil	300	1/2	1.72	0.25	1.50	2.26	4.25	Green
			5/8						
ATL700CB58	700 kcmil	-	1/2	1.77	0.27	1.85	2.64	5.16	Pink
			5/8						
ATL750CB58	750 kcmil	-	1/2	1.90	0.27	1.85	2.64	5.16	Black
			5/8						
ATL800CB58	800 kcmil	400	1/2	1.93	0.27	1.85	2.64	5.16	Orange
			5/8						
ATL1000CB58	1000 kcmil	500	1/2	2.18	0.33	1.85	3.15	5.67	White
			5/8						

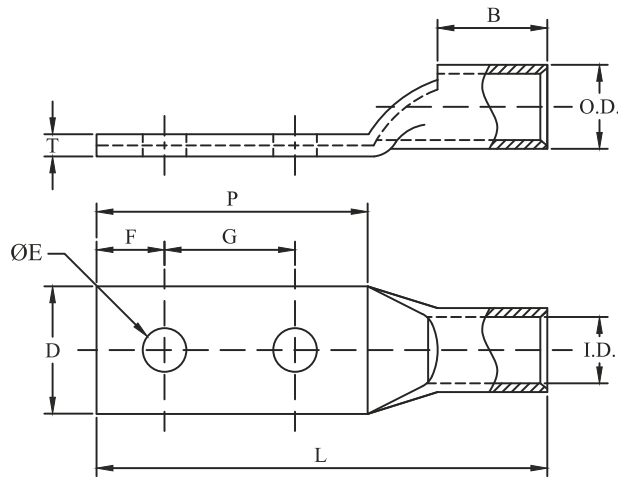
Note : Add Suffix "I" after E-Code for Inspection window feature

Copper Compression Lugs Standard Barrel - 2 Hole with Inspection Window

Material : E-Copper
Finish : Electro-Tinned
Application : Up To 35 kVA
Voltage Rating : 600 Volts / 90°C

Features :
 Two Mounting Holes for Better Secureness

• For Crimping Tool details please refer to page no. 93



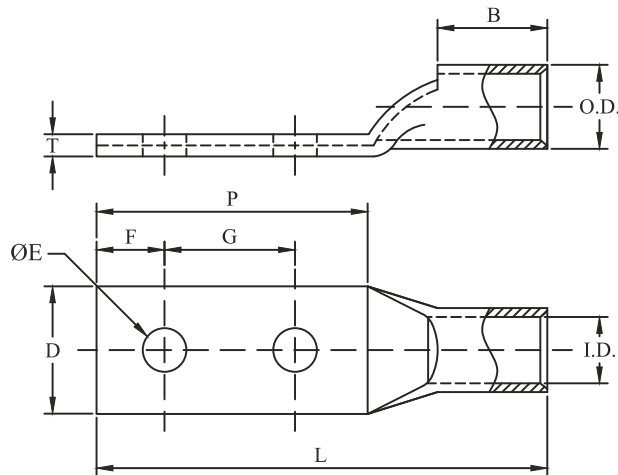
E-Code	Conductor AWG	Conductor MM ²	Bolt Size	Stud Hole ØE	Stud Hole Spacing	Dimensions							Color Code
						G	D	T	F	P	B	L	
ATS8C10G58I	8 AWG	10	#10	0.21	5/8	0.63	0.42	0.08	0.28	1.26	0.44	1.82	Red
ATS8C10G34I			#10		3/4	0.75				1.38		1.94	
ATS8C14G58I			1/4	0.25	5/8	0.63	0.42	0.08	0.28	1.26	1.82		
ATS8C14G34I			1/4		3/4	0.75				1.38	1.94		
ATS8C14G1I			1/4	0.41	1	1.00	0.56	0.05	0.38	1.81	2.37		
ATS8C38G1I			3/8		1	1.00				0.56	0.05	0.38	
ATS6C10G12I	6 AWG	-	#10	0.21	1/2	0.50	0.42	0.08	0.28	1.14	0.71	1.97	Blue
ATS6C10G58I			#10		5/8	0.63				1.26		2.09	
ATS6C10G34I			#10	3/4	0.75	0.42	0.08	0.28	1.38	2.20			
ATS6C14G12I			1/4	1/2	0.50				1.14	1.97			
ATS6C14G58I			1/4	0.25	5/8	0.63	0.42	0.08	0.28	1.26	2.09		
ATS6C14G1I			1/4		1	1.00				0.38	1.81	2.64	
ATS6C38G1I			3/8	0.41	1	1.00	0.57	0.06	0.38	1.81	2.64		
ATS6C12G134I			1/2	0.51	1-3/4	1.75	0.74	0.04	0.62	2.99	3.82		
ATS4C14G58I	4 AWG	-	1/4	0.25	5/8	0.63	0.49	0.09	0.28	1.26	0.75	2.09	Gray
ATS4C14G34I			1/4		3/4	0.75				1.38		2.20	
ATS4C14G1I			1/4	1	1.00	0.55	0.08	0.38	1.81	0.75	2.68		
ATS4C516G1I			5/16	0.33	1							1.00	
ATS4C38G1I			3/8	0.41	1	1.00	0.57	0.07	0.38	1.81	2.68		
ATS4C12G134I			1/2	0.51	1-3/4	1.75	0.74	0.04	0.62	2.99	3.82		

Copper Compression Lugs Standard Barrel - 2 Hole with Inspection Window

Material : E-Copper
Finish : Electro-Tinned
Application : Up To 35 kVA
Voltage Rating : 600 Volts / 90°C

Features :
 Two Mounting Holes for Better Secureness

• For Crimping Tool details please refer to page no. 93

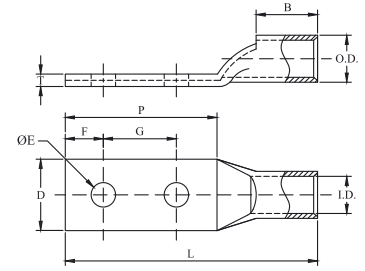


E-Code	Conductor AWG	Conductor MM ²	Bolt Size	Stud Hole ØE	Stud Hole Spacing	Dimensions							Color Code		
						G	D	T	F	P	B	L			
ATS3C14G58I	3 AWG	25	1/4	0.25	5/8	0.63	0.50	0.09	0.28	1.26	0.83	2.24	White		
ATS3C14G1I			1		1.00	0.38			1.81	2.80					
ATS3C516G58I			5/16	0.33	5/8	0.63	0.55	0.08	0.32	1.49		2.48			
ATS3C516G34I			5/16	0.33	3/4	0.75			1.61	2.60					
ATS3C38G1I			3/8	0.41	1	1.00	0.59	0.07	0.38	1.81		2.80			
ATS2C14G58I			2 AWG	35	1/4	0.25	5/8	0.63	0.60	0.10		0.28		1.26	0.83
ATS2C14G34I	3/4	0.75			1.38		2.36								
ATS2C14G1I	1	1.00			0.38	1.81	2.80								
ATS2C516G34I	5/16	0.33			3/4	0.75	0.32	1.61			2.60				
ATS2C516G1I	5/16	0.33			1	1.00	0.38	1.81			2.80				
ATS2C38G1I	3/8	0.41			1	1.00	0.38	1.81			2.80				
ATS2C12G134I	1/2	0.51			1-3/4	1.75	0.74	0.08			0.62	2.99	3.98		
ATS1C14G58I	1 AWG	50			1/4	0.25	5/8	0.63			0.67	0.11	0.28	1.26	
ATS1C14G34I			3/4	0.75	1.38		2.40								
ATS1C516G78I			5/16	0.33	7/8	0.88	0.32	1.61	2.63						
ATS1C516G1I			5/16	0.33	1	1.00	0.38	1.81	2.83						
ATS1C38G1I			3/8	0.41	1	1.00	0.38	1.81	2.83						
ATS1C12G134I			1/2	0.51	1-3/4	1.75	0.74	0.09	0.62	2.99			4.01		

Copper Compression Lugs Standard Barrel - 2 Hole with Inspection Window

Material : E-Copper
Finish : Electro-Tinned
Application : Up To 35 kVA
Voltage Rating : 600 Volts / 90°C

Features :
 Two Mounting Holes for Better Secureness



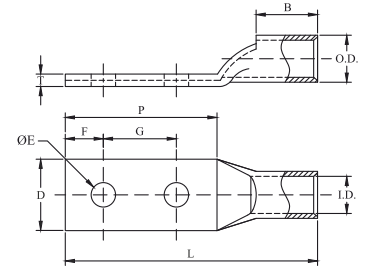
• For Crimping Tool details please refer to page no. 93

E-Code	Conductor AWG	Conductor MM ²	Bolt Size	Stud Hole ØE	Stud Hole Spacing	Dimensions						Color Code				
						G	D	T	F	P	B		L			
ATS10C14G58I	1/0 AWG	-	1/4	0.25	5/8	0.74	0.13	0.28	1.26	0.83	2.28	Pink				
ATS10C14G34I			3/4		0.75								2.40			
ATS10C14G1I			1		1.00								2.84			
ATS10C516G78I			5/16	0.33	7/8								0.88	0.32	1.61	2.64
ATS10C38G1I			3/8	0.41	1								1.00	0.38	1.81	2.84
ATS10C12G134I			1/2	0.51	1 3/4								1.75	0.62	2.99	4.02
ATS20C14G58I	2/0 AWG	70	1/4	0.25	5/8	0.81	0.12	0.28	1.26	0.94	2.44	Black				
ATS20C14G34I			3/4		0.75								2.56			
ATS20C14G1I			1		1.00								2.99			
ATS20C516G78I			5/16	0.33	7/8								0.87	0.32	1.61	2.79
ATS20C38G1I			3/8	0.41	1								1.00	0.38	1.81	2.99
ATS20C12G134I			1/2	0.51	1-3/4								1.75	0.62	2.99	4.17
ATS30C14G34I	3/0 AWG	-	1/4	0.25	3/4	0.90	0.13	0.28	1.38	0.98	2.68	Orange				
ATS30C516G1I			1		1.00								3.11			
ATS30C38G1I			3/8	0.41	1								1.00	0.38	1.81	3.11
ATS30C12G134I			1/2	0.51	1-3/4								1.75	0.62	2.99	4.29
ATS40C14G58I	4/0 AWG	-	1/4	0.25	5/8	1.00	0.13	0.28	1.26	0.98	2.56	Purple				
ATS40C14G34I			3/4		0.75								2.68			
ATS40C516G1I			5/16	0.33	1								1.00	0.38	1.81	3.11
ATS40C38G1I			3/8	0.41	1								1.00	0.38	1.81	3.11
ATS40C12G134I			1/2	0.51	1 3/4								1.75	0.62	2.99	4.29
ATS250C38G1I	250 kcmil	-	3/8	0.41	1	1.09	0.15	0.38	1.81	1.06	3.23	Yellow				
ATS250C38G134I			1-3/4		1.75								4.41			
ATS250C12G134I			1/2	0.51	1-3/4								1.75	0.62	2.99	4.41
ATS300C38G1I	300 kcmil	150	3/8	0.41	1	1.19	0.15	0.38	1.81	1.06	3.23	White				
ATS300C12G134I			1-3/4		1.75								4.41			
ATS350C38G1I	350 kcmil	185	3/8	0.41	1	1.28	0.17	0.38	1.81	1.10	3.35	Red				
ATS350C12G134I			1-3/4		1.75								4.53			
ATS400C38G1I	400 kcmil	-	3/8	0.41	1	1.39	0.18	0.38	1.81	1.18	3.51	Blue				
ATS400C12G134I			1-3/4		1.75								4.69			
ATS500C14G34I	500 kcmil	240	1/4	0.25	3/4	1.54	0.22	0.28	1.38	1.38	3.27	Brown				
ATS500C38G1I			1		1.00								3.70			
ATS500C12G134I			1-3/4		1.75								4.88			
ATS600C38G1I	600 kcmil	300	3/8	0.41	1	1.72	0.25	0.38	1.81	1.50	3.86	Green				
ATS600C38G134I			1-3/4		1.75								5.04			
ATS600C12G134I			1/2	0.51	1-3/4								1.75	0.62	2.99	5.04
ATS700C38G1I	700 kcmil	-	3/8	0.41	1	1.78	0.27	0.38	1.81	1.85	4.33	Pink				
ATS700C12G134I			1-3/4		1.75								5.51			
ATS700C58G134I			5/8		0.67								1-3/4	1.75	0.62	2.99

Copper Compression Lugs Standard Barrel - 2 Hole with Inspection Window

Material : E-Copper
Finish : Electro-Tinned
Application : Up To 35 kVA
Voltage Rating : 600 Volts / 90°C

Features :
 Two Mounting Holes for Better Secureness



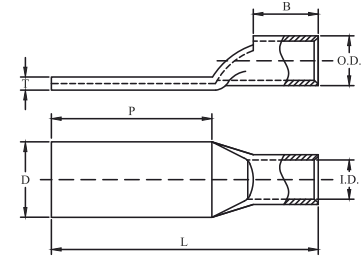
• For Crimping Tool details please refer to page no. 93

E-Code	Conductor AWG	Conductor MM ²	Bolt Size	Stud Hole ØE	Stud Hole Spacing	Dimensions							Color Code
						G	D	T	F	P	B	L	
ATS750C38G1I	750 kcmil	-	3/8	0.41	1	1.00	1.90	0.27	0.38	1.81	1.85	4.33	Black
ATS750C12G134I			1/2	0.51	1-3/4	1.75			0.62	2.99		5.51	
ATS750C58G134I			5/8	0.67	1-3/4	1.75			0.62	2.99		5.51	
ATS800C12G134I	800 kcmil	400	1/2	0.51	1-3/4	1.75	1.93	0.27	0.62	2.99	1.85	5.51	Orange
ATS800C58G134I			5/8	0.67	1-3/4								
ATS1000C12G134I	1000 kcmil	500	1/2	0.51	1-3/4	1.75	2.19	0.32	0.62	2.99	1.91	5.57	White
ATS1000C58G134I			5/8	0.67	1-3/4								

Copper Compression Lugs Standard Barrel - 2 Hole Blank Tongue with Inspection Window

Material : E-Copper
Finish : Electro-Tinned
Application : Up To 35 kVA
Voltage Rating : 600 Volts / 90°C

Features :
 Blank Tongue to select custom Hole sizes & Spacings



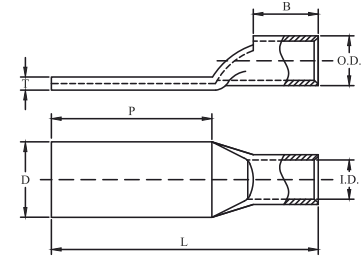
• For Crimping Tool details please refer to page no. 93

E-Code	Conductor AWG	Conductor MM ²	Bolt Size	Dimensions					Color Code
				D	T	P	B	L	
ATS8CB14G58I	8 AWG	10	#10	0.42	0.08	1.26	0.44	1.82	Red
ATS8CB14G34I			#10			1.38		1.94	
ATS8CB14G58I			1/4			1.26		1.82	
ATS8CB14G34I			1/4	1.38	1.94				
ATS8CB14G1I			1/4	1.81	2.37				
ATS8CB38G1I			3/8	0.56	0.05	1.81		2.37	
ATS6CB14G12I	6 AWG	-	#10	0.42	0.08	1.14	0.71	1.97	Blue
ATS6CB14G58I			#10			1.26		2.09	
ATS6CB10G34I			#10			1.38		2.20	
ATS6CB14G12I			1/4	1.14	1.97				
ATS6CB14G58I			1/4	1.26	2.09				
ATS6CB14G1I			1/4	1.81	2.64				
ATS6CB38G1I			3/8	0.57	0.06	1.81		2.64	
ATS6CB12G134I			1/2	0.74	0.04	2.99		3.82	
ATS4CB14G58I	4 AWG	-	1/4	0.49	0.09	1.26	0.75	2.09	Gray
ATS4CB14G34I			1/4			1.38		2.20	
ATS4CB14G1I			1/4	1.81	2.68				
ATS4CB516G1I			5/16	0.55	0.08	1.81		2.68	
ATS4CB38G1I			3/8	0.57	0.07	1.81		2.68	
ATS4CB12G134I			1/2	0.74	0.04	2.99		3.82	
ATS3CB14G58I	3 AWG	25	1/4	0.50	0.09	1.26	0.83	2.24	White
ATS3CB14G1I			1/4			1.81		2.80	
ATS3CB516G58I			5/16	0.55	0.08	1.49		2.48	
ATS3CB516G34I			5/16			1.61		2.60	
ATS3CB38G1I			3/8	0.59	0.07	1.81		2.80	
ATS2CB14G58I			2 AWG	35	1/4	0.60		0.10	
ATS2CB14G34I	1/4	1.38			2.36				
ATS2CB38G1I	1/4	1.81			2.80				
ATS2CB516G34I	5/16	0.60			0.10	1.61	2.60		
ATS2CB38G1I	5/16					1.81	2.80		
ATS2CB12G134I	3/8	0.74			0.08	2.99	3.98		
ATS1CB14G58I	1/2							0.67	0.11
ATS1CB14G34I	1/4	1.26			2.28				
ATS1CB516G78I	1/4	1.38	2.40						
ATS1CB38G1I	5/16	1.61	2.63						
ATS1CB38G1I	5/16	1.81	2.83						
ATS1CB12G134I	3/8	0.74	0.09	2.99	4.01				
ATS1CB12G134I	1/2					0.74	0.09	2.99	4.01

Copper Compression Lugs Standard Barrel - 2 Hole Blank Tongue with Inspection Window

Material : E-Copper
Finish : Electro-Tinned
Application : Up To 35 kVA
Voltage Rating : 600 Volts / 90°C

Features :
 Blank Tongue to select custom Hole sizes & Spacings



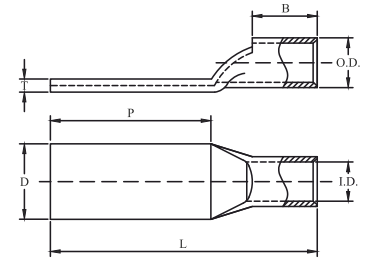
• For Crimping Tool details please refer to page no. 93

E-Code	Conductor AWG	Conductor MM ²	Bolt Size	Dimensions					Color Code
				D	T	P	B	L	
ATS10CB14G58I	1/0 AWG	-	1/4	0.74	0.13	1.26	0.83	2.28	Pink
ATS10CB14G34I			1/4			1.38		2.40	
ATS10CB38G1I			1/4			1.81		2.84	
ATS10CB516G78I			5/16			1.61		2.64	
ATS10CB38G1I			3/8			1.81		2.84	
ATS10CB12G134I			1/2			2.99		4.02	
ATS20CB14G58I	2/0 AWG	70	1/4	0.81	0.12	1.26	0.94	2.44	Black
ATS20CB14G34I			1/4			1.38		2.56	
ATS20CB38G1I			1/4			1.81		2.99	
ATS20CB516G78I			5/16			1.61		2.79	
ATS20CB38G1I			3/8			1.81		2.99	
ATS20CB12G134I			1/2			2.99		4.17	
ATS30CB14G34I	3/0 AWG	-	1/4	0.90	0.13	1.38	0.98	2.68	Orange
ATS30CB38G1I			5/16			1.81		3.11	
ATS30CB12G134I			3/8			2.99		4.29	
ATS40CB14G58I	4/0 AWG	-	1/4	1.00	0.13	1.26	0.98	2.56	Purple
ATS40CB14G34I			1/4			1.38		2.68	
ATS40CB38G1I			5/16			1.81		3.11	
ATS40CB12G134I			3/8			2.99		4.29	
ATS250CB38G1I	250 kcmil	-	3/8	1.09	0.15	1.81	1.06	3.23	Yellow
ATS250CB12G134I			3/8			2.99		4.41	
			1/2						
ATS300CB38G1I	300 kcmil	150	3/8	1.19	0.15	1.81	1.06	3.23	White
ATS300CB12G134I			1/2			2.99		4.41	
ATS350CB38G1I	350 kcmil	185	3/8	1.28	0.17	1.81	1.10	3.35	Red
ATS350CB12G134I			1/2			2.99		4.53	
ATS400CB38G1I	400 kcmil	-	3/8	1.39	0.18	1.81	1.18	3.51	Blue
ATS400CB12G134I			1/2			2.99		4.69	
ATS500CB14G34I	500 kcmil	240	1/4	1.54	0.22	1.38	1.38	3.27	Brown
ATS500CB38G1I			3/8			1.81		3.70	
ATS500CB12G134I			1/2			2.99		4.88	
ATS600CB38G1I	600 kcmil	300	3/8	1.72	0.25	1.81	1.50	3.86	Green
ATS600CB12G134I			3/8			2.99		5.04	
			1/2						

Copper Compression Lugs Standard Barrel - 2 Hole Blank Tongue with Inspection Window

Material : E-Copper
Finish : Electro-Tinned
Application : Up To 35 kVA
Voltage Rating : 600 Volts / 90°C

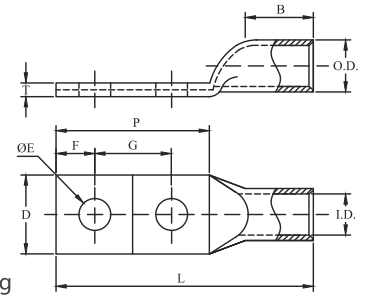
Features :
 Blank Tongue to select custom Hole sizes & Spacings



• For Crimping Tool details please refer to page no. 93

E-Code	Conductor AWG	Conductor MM ²	Bolt Size	Dimensions					Color Code
				D	T	P	B	L	
ATS700CB38G1I	700 kcmil	-	3/8	1.78	0.27	1.81	1.85	4.33	Pink
ATS700CB58G134I			1/2			2.99		5.51	
			5/8						
ATS750CB38G1I	750 kcmil	-	3/8	1.90	0.27	1.81	1.85	4.33	Black
ATS750CB58G134I			1/2			2.99		5.51	
			5/8						
ATS800CB58G134I	800 kcmil	400	1/2	1.93	0.27	2.99	1.85	5.51	Orange
			5/8						
ATS1000CB58G134I	1000 kcmil	500	1/2	2.19	0.32	2.99	1.91	5.57	White
			5/8						

Copper Compression Lugs Standard Barrel - 2 Hole Tongue Break AWAY Feature Without Inspection Window



Material : E-Copper
Finish : Electro-Tinned
Application : Up To 35 kVA
Voltage Rating : 600 Volts / 90°C

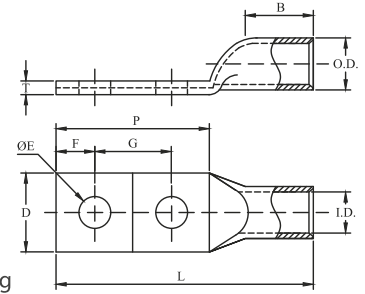
Features :
 Two Mounting Holes for Better Secureness
 Break AWAY feature to allow field modification of the Lug from 2 Hole to 1 Hole
 • For Crimping Tool details please refer to page no. 93

E-Code	Conductor AWG	Conductor MM ²	Bolt Size	Stud Hole ØE	Stud Hole Spacing	Dimensions							Color Code				
						G	D	T	F	P	B	L					
ATSB8C10G58	8 AWG	10	#10	0.21	5/8	0.63	0.42	0.08	0.28	1.26	0.44	1.82	Red				
1/4			0.25	5/8													
3/8			0.41	1	1.00									0.56	0.05	0.38	1.81
ATSB6C10G34	6 AWG	-	#10	0.21	3/4	0.75	0.42	0.08	0.28	1.38	0.71	2.20	Blue				
1/4			0.25	5/8	0.63	1.26								2.09			
1/4			0.41	1	1.00	0.57								0.06	0.38	1.81	2.64
3/8				1	0.57	0.06								0.38	1.81	2.64	
ATSB4C14G58	4 AWG	-	1/4	0.25	5/8	0.63	0.49	0.09	0.28	1.26	0.75	2.09	Gray				
1/4			1	1.00	0.55	0.38								1.81	2.68		
5/16			0.33	1	1.00	0.55								0.38	1.81	2.68	
3/8			0.41	1	1.00	0.57								0.07	0.38	1.81	2.68
ATSB3C14G58	3 AWG	25	1/4	0.25	5/8	0.63	0.55	0.09	0.28	1.26	0.83	2.24	White				
1/4			1	1.00	0.50	0.38								1.81	2.80		
5/16			0.33	3/4	0.75	0.55								0.32	1.61	2.60	
3/8			0.41	1	1.00	0.59								0.08	0.38	1.81	2.80
ATSB2C14G58	2 AWG	35	1/4	0.25	5/8	0.63	0.60	0.10	0.28	1.26	0.83	2.24	Brown				
1/4			3/4		0.75	1.38								2.36			
1/4			1		1.00	0.38								1.81	2.80		
5/16			0.33	3/4	0.75	0.32								1.61	2.60		
3/8			0.41	1	1.00	0.38								1.81	2.80		
1/2			0.51	1 3/4	1.75	0.74								0.08	0.62	2.99	3.98
ATSB1C14G58	1 AWG	50	1/4	0.25	5/8	0.63	0.67	0.11	0.28	1.26	0.83	2.28	Green				
5/16			0.33	1	1.00	0.38								1.81	2.83		
3/8			0.41	1	1.00	0.38								1.81	2.83		
ATSB10C14G34	1/0 AWG	-	1/4	0.25	3/4	0.75	0.74	0.13	0.28	1.38	0.83	2.40	Pink				
5/16			0.33	7/8	0.87	0.32								1.61	2.64		
3/8			0.41	1	1.00	0.38								1.81	2.83		
1/2			0.51	1 3/4	1.75	0.62								2.99	4.02		
ATSB20C14G34	2/0 AWG	70	1/4	0.25	3/4	0.75	0.81	0.12	0.28	1.38	0.94	2.56	Black				
5/16			0.33	7/8	0.87	0.32								1.61	2.80		
3/8			0.41	1	1.00	0.38								1.81	2.99		
1/2			0.51	1 3/4	1.75	0.62								2.99	4.17		
ATSB30C516G1	3/0 AWG	-	5/16	0.33	1	1.00	0.90	0.13	0.38	1.81	0.98	3.11	Orange				
3/8			0.41	1	1.00	0.62								2.99	4.29		
1/2			0.51	1 3/4	1.75	0.62								2.99	4.29		
ATSB40C14G58	4/0 AWG	-	1/4	0.25	5/8	0.63	1.00	0.13	0.28	1.26	0.98	2.56	Purple				
5/16			0.33	1	1.00	0.38								1.81	3.11		
3/8			0.41	1	1.00	0.38								1.81	3.11		
1/2			0.51	1 3/4	1.75	0.62								2.99	4.29		

Copper Compression Lugs Standard Barrel - 2 Hole Tongue Break Away Feature Without Inspection Window

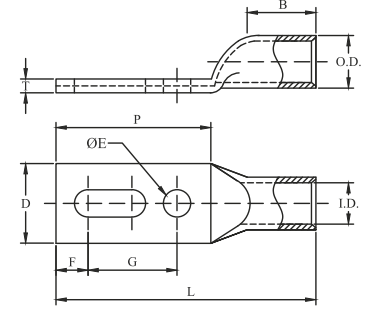
Material : E-Copper
Finish : Electro-Tinned
Application : Up To 35 kVA
Voltage Rating : 600 Volts / 90°C

Features :
 Two Mounting Holes for Better Secureness
 Break Away feature to allow field modification of the Lug from 2 Hole to 1 Hole
 • For Crimping Tool details please refer to page no. 93



E-Code	Conductor AWG	Conductor MM ²	Bolt Size	Stud Hole ØE	Stud Hole Spacing	Dimensions						Color Code	
						G	D	T	F	P	B		L
ATSB250C38G1	250 kcmil	-	3/8	0.41	1	1.00	1.09	0.15	0.38	1.81	1.06	3.23	Yellow
ATSB250C38G134			3/8		1 3/4	1.75			0.62	2.99		4.41	
ATSB250C12G134			1/2	0.51	1 3/4	1.75			0.62	2.99	1.06	4.41	
ATSB300C12G134	300 kcmil	150	1/2	0.51	1 3/4	1.75	1.19	0.15	0.62	2.99	1.06	4.41	White
ATSB350C38G1	350 kcmil	185	3/8	0.41	1	1.00	1.28	0.17	0.38	1.81	1.10	3.35	Red
ATSB350C12G134			1/2	0.51	1 3/4	1.75			0.62	2.99		4.53	
ATSB400C12G134	400 kcmil	-	1/2	0.51	1 3/4	1.75	1.39	0.18	0.62	2.99	1.18	4.69	Blue
ATSB500C38G1	500 kcmil	240	3/8	0.41	1	1.00	1.54	0.22	0.38	1.81	1.38	3.70	Brown
ATSB500C12G134			1/2	0.51	1 3/4	1.75			0.62	2.99		4.88	
ATSB600C38G134	600 kcmil	300	3/8	0.41	1 3/4	1.75	1.72	0.25	0.62	2.99	1.50	5.04	Green
ATSB600C12G134			1/2	0.51	1 3/4								
ATSB700C12G134	700 kcmil	-	1/2	0.51	1 3/4	1.75	1.78	0.27	0.62	2.99	1.85	5.51	Pink
ATSB700C58G134			5/8	0.67	1 3/4								
ATSB750C12G134	750 kcmil	-	1/2	0.51	1 3/4	1.75	1.90	0.27	0.62	2.99	1.85	5.51	Black
ATSB750C58G134			5/8	0.67	1 3/4								
ATSB800C12G134	800 kcmil	400	1/2	0.51	1 3/4	1.75	1.93	0.27	0.62	2.99	1.85	5.51	Orange
ATSB800C58G134			5/8	0.67	1 3/4								
ATSB1000C12G134	1000 kcmil	500	1/2	0.51	1 3/4	1.75	2.19	0.32	0.62	2.99	1.91	5.57	White
ATSB1000C58G134			5/8	0.67	1 3/4								

Copper Compression Lugs Standard Barrel - 2 Hole Slotted Tongue Without Inspection Window



Material : E-Copper
Finish : Electro-Tinned
Application : Up To 35 kVA
Voltage Rating : 600 Volts / 90°C

Features :
 Two Mounting Holes for Better Secureness
 Slotted Hole provides range for different Hole Spacings

• For Crimping Tool details please refer to page no. 93

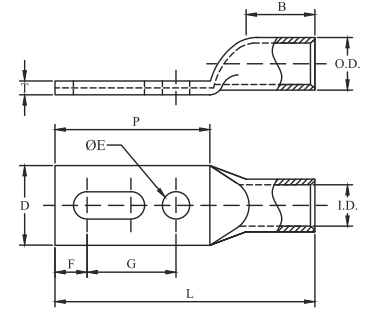
E-Code	Conductor AWG	Conductor MM ²	Bolt Size	Stud Hole ØE	Stud Hole Spacing	Dimensions						Color Code					
						G	D	T	F	P	B		L				
ATSS8C10G58	8 AWG	10	#10	0.21	5/8	0.63	0.42	0.08	0.28	1.26	0.44	1.82	Red				
ATSS8C14G58			1/4	0.25	5/8												
ATSS8C38G1			3/8	0.41	1									1.00	0.56	0.05	0.38
ATSS6C10G34	6 AWG	-	#10	0.21	3/4	0.75	0.42	0.08	0.28	1.38	0.71	2.20	Blue				
ATSS6C14G58			1/4	0.25	5/8	0.63				1.26		2.09					
ATSS6C14G1			1/4		1	1.00				0.38		1.81		2.64			
ATSS6C38G1			3/8	0.41	1	0.57				0.06							
ATSS4C14G58	4 AWG	-	1/4	0.25	5/8	0.63	0.49	0.09	0.28	1.26	0.75	2.09	Gray				
ATSS4C14G1			1/4		1	1.00								0.38	1.81	2.68	
ATSS4C516G1			5/16	0.33	1	1.00								0.55			
ATSS4C38G1			3/8	0.41	1	0.57								0.07			
ATSS3C14G58	3 AWG	25	1/4	0.25	5/8	0.63	0.55	0.09	0.28	1.26	0.83	2.24	White				
ATSS3C14G1			1/4		1	1.00								0.50	0.38	1.81	2.80
ATSS3C516G34			5/16	0.33	3/4	0.75								0.55	0.32	1.61	2.60
ATSS3C38G1			3/8	0.41	1	1.00								0.59	0.08	0.38	1.81
ATSS2C14G58	2 AWG	35	1/4	0.25	5/8	0.63	0.60	0.10	0.28	1.26	0.83	2.24	Brown				
ATSS2C14G34			1/4		3/4	0.75				1.38		2.36					
ATSS2C14G1			1/4		1	1.00				0.38		1.81		2.80			
ATSS2C516G34			5/16	0.33	3/4	0.75				0.32		1.61		2.60			
ATSS2C38G1			3/8	0.41	1	1.00				0.38		1.81		2.80			
ATSS2C12G134			1/2	0.51	1 3/4	1.75				0.74		0.08		0.62	2.99	3.98	
ATSS1C14G58	1 AWG	50	1/4	0.25	5/8	0.63	0.67	0.11	0.28	1.26	0.83	2.28	Green				
ATSS1C516G1			5/16	0.33	1	1.00								0.38	1.81	2.83	
ATSS1C38G1			3/8	0.41	1												
ATSS10C14G34	1/0 AWG	-	1/4	0.25	3/4	0.75	0.74	0.13	0.28	1.38	0.83	2.40	Pink				
ATSS10C516G78			5/16	0.33	7/8	0.87				0.32		1.61		2.64			
ATSS10C38G1			3/8	0.41	1	1.00				0.38		1.81		2.83			
ATSS10C12G134			1/2	0.51	1 3/4	1.75				0.62		2.99		4.02			
ATSS20C14G34	2/0 AWG	70	1/4	0.25	3/4	0.75	0.81	0.12	0.28	1.38	0.94	2.56	Black				
ATSS20C516G78			5/16	0.33	7/8	0.87				0.32		1.61		2.80			
ATSS20C38G1			3/8	0.41	1	1.00				0.38		1.81		2.99			
ATSS20C12G134			1/2	0.51	1 3/4	1.75				0.62		2.99		4.17			
ATSS30C516G1	3/0 AWG	-	5/16	0.33	1	1.00	0.90	0.13	0.38	1.81	0.98	3.11	Orange				
ATSS30C38G1			3/8	0.41	1												
ATSS30C12G134			1/2	0.51	1 3/4	1.75								0.62	2.99	4.29	
ATSS40C14G58	4/0 AWG	-	1/4	0.25	5/8	0.63	1.00	0.13	0.28	1.26	0.98	3.11	Purple				
ATSS40C516G1			5/16	0.33	1	1.00								0.38	1.81	4.29	
ATSS40C38G1			3/8	0.41	1												
ATSS40C12G134			1/2	0.51	1 3/4	1.75								0.62	2.99	4.29	

Copper Compression Lugs Standard Barrel - 2 Hole Slotted Tongue Without Inspection Window

Material : E-Copper
Finish : Electro-Tinned
Application : Up To 35 kVA
Voltage Rating : 600 Volts / 90°C

Features :
 Two Mounting Holes for Better Secureness
 Slotted Hole provides range for different Hole Spacings

• For Crimping Tool details please refer to page no. 93

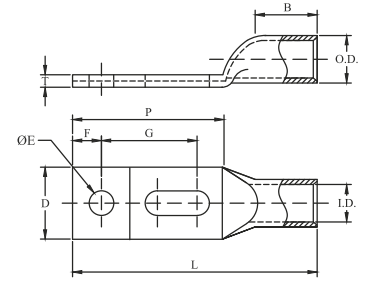


E-Code	Conductor AWG	Conductor MM ²	Bolt Size	Stud Hole ØE	Stud Hole Spacing	Dimensions						Color Code	
						G	D	T	F	P	B		L
ATSS250C38G1	250 kcmil	-	3/8	0.41	1	1.00	1.09	0.15	0.38	1.81	1.06	3.23	Yellow
ATSS250C38G134			3/8		1 3/4	0.62			2.99	4.41			
ATSS250C12G134			1/2	0.51	1 3/4	1.75			0.62	2.99		4.41	
ATSS300C12G134	300 kcmil	150	1/2	0.51	1 3/4	1.75	1.19	0.15	0.62	2.99	1.06	4.41	White
ATSS350C38G1	350 kcmil	185	3/8	0.41	1	1.00	1.28	0.17	0.38	1.81	1.10	3.35	Red
ATSS350C12G134			1/2	0.51	1 3/4	1.75			0.62	2.99		4.53	
ATSS400C12G134	400 kcmil	-	1/2	0.51	1 3/4	1.75	1.39	0.18	0.62	2.99	1.18	4.69	Blue
ATSS500C38G1	500 kcmil	240	3/8	0.41	1	1.00	1.54	0.22	0.38	1.81	1.38	3.70	Brown
ATSS500C12G134			1/2	0.51	1 3/4	1.75			0.62	2.99		4.88	
ATSS600C38G134	600 kcmil	300	3/8	0.41	1 3/4	1.75	1.72	0.25	0.62	2.99	1.50	5.04	Green
ATSS600C12G134			1/2	0.51	1 3/4								
ATSS700C12G134	700 kcmil	-	1/2	0.51	1 3/4	1.75	1.78	0.27	0.62	2.99	1.85	5.51	Pink
ATSS700C58G134			5/8	0.67	1 3/4								
ATSS750C12G134	750 kcmil	-	1/2	0.51	1 3/4	1.75	1.90	0.27	0.62	2.99	1.85	5.51	Black
ATSS750C58G134			5/8	0.67	1 3/4								
ATSS800C12G134	800 kcmil	400	1/2	0.51	1 3/4	1.75	1.93	0.27	0.62	2.99	1.85	5.51	Orange
ATSS800C58G134			5/8	0.67	1 3/4								
ATSS1000C12G134	1000 kcmil	500	1/2	0.51	1 3/4	1.75	2.19	0.32	0.62	2.99	1.91	5.57	White
ATSS1000C58G134			5/8	0.67	1 3/4								

Copper Compression Lugs Standard Barrel - 2 Hole Slotted Tongue Break Away Without Inspection Window

Material : E-Copper
Finish : Electro-Tinned
Application : Up To 35 kVA
Voltage Rating : 600 Volts / 90°C

Features :
 Long Barrel for Better Mechanical & Electrical Properties
 Two Mounting Holes for Better Secureness



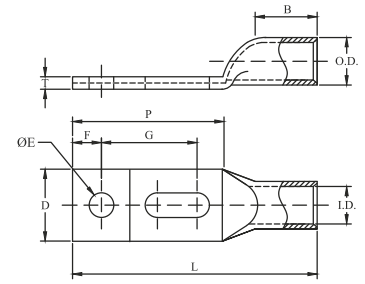
• For Crimping Tool details please refer to page no. 93

E-Code	Conductor AWG	Conductor MM ²	Bolt Size	Stud Hole ØE	Stud Hole Spacing	Dimensions						Color Code					
						G	D	T	F	P	B		L				
ATSSB8C10G58	8 AWG	10	#10	0.21	5/8	0.63	0.42	0.08	0.28	1.26	0.44	1.82	Red				
ATSSB8C14G58			1/4	0.25	5/8												
ATSSB8C38G1			3/8	0.41	1									1.00	0.56	0.05	0.38
ATSSB6C10G34	6 AWG	-	#10	0.21	3/4	0.75	0.42	0.08	0.28	1.38	0.71	2.20	Blue				
ATSSB6C14G58			1/4	0.25	5/8	0.63								1.26	2.09		
ATSSB6C14G1			1/4		1	1.00								0.38	1.81	2.64	
ATSSB6C38G1			3/8	0.41	1	0.57								0.06			
ATSSB4C14G58	4 AWG	-	1/4	0.25	5/8	0.63	0.49	0.09	0.28	1.26	0.75	2.09	Gray				
ATSSB4C14G1			1/4		1	1.00								0.55	0.38	1.81	2.68
ATSSB4C516G1			5/16	0.33	1	0.57								0.07			
ATSSB4C38G1			3/8	0.41	1												
ATSSB3C14G58	3 AWG	25	1/4	0.25	5/8	0.63	0.60	0.10	0.28	1.26	0.83	2.24	White				
ATSSB3C14G1			1/4		1	1.00								0.50	0.09	0.38	1.81
ATSSB3C516G34			5/16	0.33	3/4	0.75								0.55	0.32	1.61	2.60
ATSSB3C38G1			3/8	0.41	1	1.00								0.59	0.08	0.38	1.81
ATSSB2C14G58	2 AWG	35	1/4	0.25	5/8	0.63	0.60	0.10	0.28	1.26	0.83	2.24	Brown				
ATSSB2C14G34			1/4		3/4	0.75								0.38	1.38	2.36	
ATSSB2C14G1			1/4		1	1.00								0.38	1.81	2.80	
ATSSB2C516G34			5/16	0.33	3/4	0.75								0.32	1.61	2.60	
ATSSB2C38G1			3/8	0.41	1	1.00								0.38	1.81	2.80	
ATSSB2C12G134			1/2	0.51	1 3/4	1.75								0.74	0.08	0.62	2.99
ATSSB1C14G58	1 AWG	50	1/4	0.25	5/8	0.63	0.67	0.11	0.28	1.26	0.83	2.28	Green				
ATSSB1C516G1			5/16	0.33	1	1.00								0.38	1.81	2.83	
ATSSB1C38G1			3/8	0.41	1												
ATSSB10C14G34	1/0 AWG	-	1/4	0.25	3/4	0.75	0.74	0.13	0.28	1.38	0.83	2.40	Pink				
ATSSB10C516G78			5/16	0.33	7/8	0.87								0.32	1.61	2.64	
ATSSB10C38G1			3/8	0.41	1	1.00								0.38	1.81	2.83	
ATSSB10C12G134			1/2	0.51	1 3/4	1.75								0.62	2.99	4.02	
ATSSB20C14G34	2/0 AWG	70	1/4	0.25	3/4	0.75	0.81	0.12	0.28	1.38	0.94	2.56	Black				
ATSSB20C516G78			5/16	0.33	7/8	0.87								0.32	1.61	2.80	
ATSSB20C38G1			3/8	0.41	1	1.00								0.38	1.81	2.99	
ATSSB20C12G134			1/2	0.51	1 3/4	1.75								0.62	2.99	4.17	
ATSSB30C516G1	3/0 AWG	-	5/16	0.33	1	1.00	0.90	0.13	0.38	1.81	0.98	3.11	Orange				
ATSSB30C38G1			3/8	0.41	1												
ATSSB30C12G134			1/2	0.51	1 3/4	1.75								0.62	2.99	4.29	
ATSSB40C14G58	4/0 AWG	-	1/4	0.25	5/8	0.63	1.00	0.13	0.28	1.26	0.98	2.56	Purple				
ATSSB40C516G1			5/16	0.33	1	1.00								0.38	1.81	3.11	
ATSSB40C38G1			3/8	0.41	1												
ATSSB40C12G134			1/2	0.51	1 3/4	1.75								0.62	2.99	4.29	

Copper Compression Lugs Standard Barrel - 2 Hole Slotted Tongue Break Away Without Inspection Window

Material : E-Copper
Finish : Electro-Tinned
Application : Up To 35 kVA
Voltage Rating : 600 Volts / 90°C

Features :
 Long Barrel for Better Mechanical & Electrical Properties
 Two Mounting Holes for Better Secureness



• For Crimping Tool details please refer to page no. 93

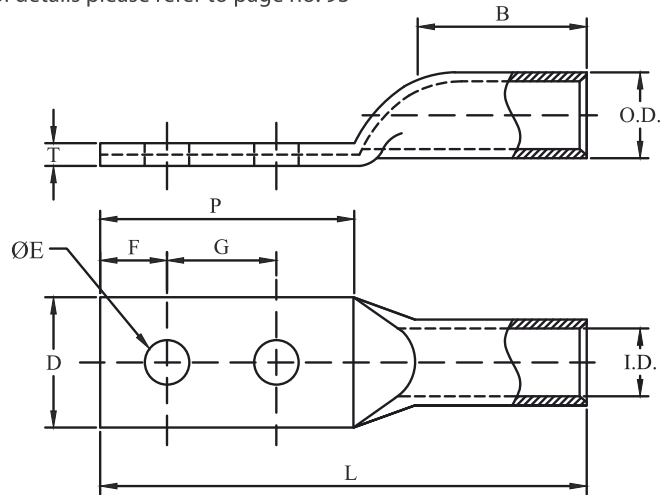
E-Code	Conductor AWG	Conductor MM ²	Bolt Size	Stud Hole ØE	Stud Hole Spacing	Dimensions						Color Code	
						G	D	T	F	P	B		L
ATSSB250C38G1	250 kcmil	-	3/8	0.41	1	1.00	1.09	0.15	0.38	1.81	1.06	3.23	Yellow
ATSSB250C38G134			3/8		1 3/4	0.62			2.99	4.41			
ATSSB250C12G134			1/2	0.51	1 3/4	1.75	0.62	2.99	1.06	4.41			
ATSSB300C12G134	300 kcmil	150	1/2	0.51	1 3/4	1.75	1.19	0.15	0.62	2.99	1.06	4.41	White
ATSSB350C38G1	350 kcmil	185	3/8	0.41	1	1.00	1.28	0.17	0.38	1.81	1.10	3.35	Red
ATSSB350C12G134			1/2	0.51	1 3/4	1.75			0.62	2.99		4.53	
ATSSB400C12G134	400 kcmil	-	1/2	0.51	1 3/4	1.75	1.39	0.18	0.62	2.99	1.18	4.69	Blue
ATSSB500C38G1	500 kcmil	240	3/8	0.41	1	1.00	1.54	0.22	0.38	1.81	1.38	3.70	Brown
ATSSB500C12G134			1/2	0.51	1 3/4	1.75			0.62	2.99		4.88	
ATSSB600C38G134	600 kcmil	300	3/8	0.41	1 3/4	1.75	1.72	0.25	0.62	2.99	1.50	5.04	Green
ATSSB600C12G134			1/2	0.51	1 3/4	1.75			0.62	2.99		1.50	
ATSSB700C12G134	700 kcmil	-	1/2	0.51	1 3/4	1.75	1.78	0.27	0.62	2.99	1.85	5.51	Pink
ATSSB700C58G134			5/8	0.67	1 3/4	1.75			0.62	2.99		1.85	
ATSSB750C12G134	750 kcmil	-	1/2	0.51	1 3/4	1.75	1.90	0.27	0.62	2.99	1.85	5.51	Black
ATSSB750C58G134			5/8	0.67	1 3/4	1.75			0.62	2.99		1.85	
ATSSB800C12G134	800 kcmil	400	1/2	0.51	1 3/4	1.75	1.93	0.27	0.62	2.99	1.85	5.51	Orange
ATSSB800C58G134			5/8	0.67	1 3/4	1.75			0.62	2.99		1.85	
ATSSB1000C12G134	1000 kcmil	500	1/2	0.51	1 3/4	1.75	2.19	0.32	0.62	2.99	1.91	5.57	White
ATSSB1000C58G134			5/8	0.67	1 3/4	1.75			0.62	2.99		1.91	

Copper compression Lugs Long Barrel - 2 Hole Tongue With Or Without Inspection Window

Material : E-Copper
Finish : Electro-Tinned
Application : Up To 35 kVA
Voltage Rating : 600 Volts / 90°C

Features :
 Long Barrel for Better Mechanical & Electrical Properties
 Two Mounting Holes for Better Secureness

• For Crimping Tool details please refer to page no. 93



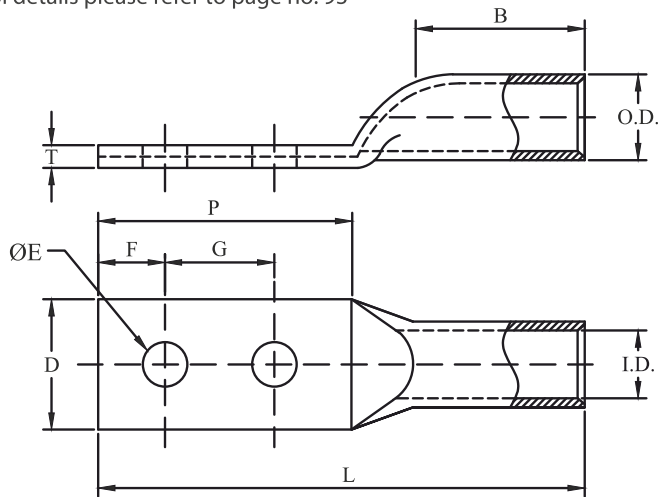
E-Code	Conductor AWG	Conductor MM ²	Bolt Size	Stud Hole ØE	Stud Hole Spacing	Dimensions						Color Code	
						G	D	T	F	P	B		L
ATL8C10G58	8 AWG	10	#10	0.21	5/8	0.63	0.42	0.08	0.28	1.26	0.81	2.19	Red
ATL8C14G58			1/4	5/8	1.38					2.30			
ATL8C14G34			1/4	0.25	3/4	0.75	0.38	1.81	2.74				
ATL8C14G1			1/4	1	1.00	0.62	2.99	3.92					
ATL8C516G134			5/16	0.33	1 3/4	1.75	0.55	0.06	0.38	1.81	2.74		
ATL8C38G134			3/8	0.41	1 3/4	1.00	0.57	0.06	0.38	1.81	2.74		
ATL8C38G1			3/8		1								
ATL6C14G12	6 AWG	-	1/4	0.25	1/2	0.50	0.42	0.08	0.28	1.14	0.98	2.24	Blue
ATL6C14G58			1/4	5/8	0.63	1.26				2.36			
ATL6C14G34			1/4	3/4	0.75	1.38	2.48						
ATL6C38G34			3/8	3/4	0.75	0.57	0.06	0.38	1.61	2.71			
ATL6C38G78			3/8	7/8	0.88	1.81	2.91						
ATL6C38G1			3/8	1	1.00	0.62	2.99	4.09					
ATL6C12G134			1/2	0.51	1 3/4	1.75	0.74	0.04	0.62	2.99	4.09		
ATL4C14G58	4 AWG	-	1/4	0.25	5/8	0.63	0.49	0.09	0.28	1.26	0.98	2.36	Gray
ATL4C14G34			1/4	3/4	0.75	1.38				2.48			
ATL4C14G1			1/4	1	1.00	0.38	1.81	2.91					
ATL4C516G1			5/16	0.33	1	0.57	0.07	0.38	1.62	2.71			
ATL4C38G34			3/8	0.41	3/4	0.75	1.81	2.91					
ATL4C38G1			3/8	1	1.00	0.62	2.99	4.09					
ATL4C12G134			1/2	0.51	1-3/4	1.75	0.74	0.05	0.62	2.99	4.09		

Copper compression Lugs Long Barrel - 2 Hole Tongue With Or Without Inspection Window

Material : E-Copper
Finish : Electro-Tinned
Application : Up To 35 kVA
Voltage Rating : 600 Volts / 90°C

Features :
 Long Barrel for Better Mechanical & Electrical Properties
 Two Mounting Holes for Better Secureness

• For Crimping Tool details please refer to page no. 93



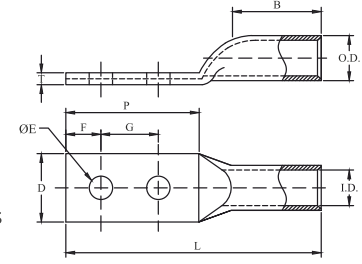
E-Code	Conductor AWG	Conductor MM ²	Bolt Size	Stud Hole ØE	Stud Hole Spacing	Dimensions						Color Code	
						G	D	T	F	P	B		L
ATL3C14G58	3 AWG	25	1/4	0.25	5/8	0.63	0.50	0.09	0.28	1.26	1.10	2.52	White
ATL3C14G34			3/4		1.38					2.64			
ATL3C516G34			5/16	0.33	3/4	0.75	0.55	0.08	0.32	1.61		2.87	
ATL3C38G34			3/8		0.41					3/4		0.59	
ATL3C38G1			3/8	0.41	1	1.00	0.59	0.07	0.38	1.81		3.07	
ATL3C12G134			1/2	0.51	1 3/4	1.75	0.74	0.05	0.62	2.99		4.25	
ATL2C14G58	2 AWG	35	1/4	0.25	5/8	0.63	0.60	0.10	0.28	1.26	1.10	2.52	Brown
ATL2C14G34			3/4		0.75					1.38		2.64	
ATL2C14G1			1/4	1	1.00	0.38	1.81	3.07					
ATL2C516G34			5/16	0.33	3/4	0.75	0.60	0.10	0.32	1.61	1.10	2.87	
ATL2C516G78			5/16		0.88								
ATL2C38G34			3/8	0.41	3/4	0.75	0.60	0.10	0.38	1.81	1.10	2.87	
ATL2C38G78			3/8		0.88								
ATL2C38G1			3/8	0.41	1	1.00	0.62	0.08	0.62	2.99	4.25		
ATL2C38G134			3/8	0.41	1-3/4	1.75	0.74	0.08	0.62	2.99	4.25		
ATL2C12G134			1/2	0.51	1-3/4	1.75	0.74	0.08	0.62	2.99	4.25		

Note : Add Suffix "I" after E-Code for Inspection window feature

Copper compression Lugs Long Barrel - 2 Hole Tongue With Or Without Inspection Window

Material : E-Copper
Finish : Electro-Tinned
Application : Up To 35 kVA
Voltage Rating : 600 Volts / 90°C

Features :
 Long Barrel for Better Mechanical & Electrical Properties
 Two Mounting Holes for Better Secureness



• For Crimping Tool details please refer to page no. 93

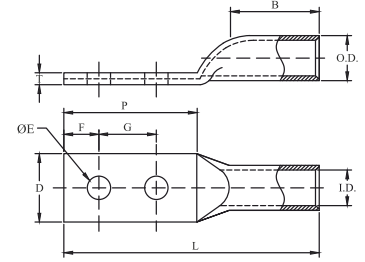
E-Code	Conductor AWG	Conductor MM ²	Bolt Size	Stud Hole ØE	Stud Hole Spacing	Dimensions						Color Code								
						G	D	T	F	P	B		L							
ATL1C14G58	1 AWG	50	1/4	0.25	5/8	0.63	0.67	0.11	0.28	1.26	1.10	2.56	Green							
ATL1C14G34			3/4		0.75					1.38		2.68								
ATL1C516G78			5/16	0.33	7/8				0.88	0.32		1.61		2.91						
ATL1C38G78			3/8	0.41	7/8					0.38		1.81		3.11						
ATL1C38G1			3/8		1				1.00					4.29						
ATL1C12G134			1/2	0.51	1-3/4				1.75	0.74		0.10		0.62	2.99	4.29				
ATL10C14G58			1/0 AWG	-	1/4				0.25	5/8		0.63		0.74	0.13	0.28	1.26	1.20	2.66	Pink
ATL10C14G34	3/4	0.75			1.38	2.78														
ATL10C516G78	5/16	0.33			7/8	0.88	0.32	1.61	3.01											
ATL10C38G34	3/8	0.41			3/4		0.38			1.81	3.21									
ATL10C38G78	3/8				7/8	0.88		4.39												
ATL10C38G1	3/8	1			1.00	4.39														
ATL10C38G134	3/8	1-3/4			1.75	4.39														
ATL10C12G134	1/2	0.51	1-3/4	1.75	0.62	2.99	4.39													
ATL20C14G58	2/0 AWG	70	1/4	0.25	5/8	0.63	0.81	0.12	0.28	1.26	1.38	2.87	Black							
ATL20C14G34			3/4		0.75					1.38		2.99								
ATL20C14G1			1/4	1	1.00				0.38	1.81		3.43								
ATL20C38G1			3/8	1	1.00															
ATL20C38G134			3/8	1-3/4	1.75				0.62	2.99		4.61								
ATL20C12G134			1/2	0.51	1-3/4									1.75						
ATL30C14G58			3/0 AWG	-	1/4				0.25	5/8		0.63		0.90	0.13	0.28	1.26	1.38	2.95	Orange
ATL30C14G34	3/4	0.75			1.38	3.07														
ATL30C516G1	5/16	0.33			1	1.00	0.38	1.81	3.50											
ATL30C38G1	3/8	1			1.00															
ATL30C38G134	3/8	1-3/4			1.75	0.62	2.99	4.69												
ATL30C12G134	1/2	0.51			1-3/4				1.75											
ATL40C14G58	4/0 AWG	-			1/4	0.25	5/8	0.63	1.00	0.13	0.28		1.26			1.42	2.99		Purple	
ATL40C14G34			3/4	0.75	1.38		3.11													
ATL40C38G1			3/8	1	1.00	0.38	1.81				3.54									
ATL40C38G134			3/8	1-3/4	1.75															
ATL40C12G134			1/2	0.51	1-3/4	1.75	0.62				2.99	4.72								
ATL250C38G1			250 kcmil	-	3/8	0.41	1				1.00	1.09	0.15	0.38	1.81		1.61	3.78		Yellow
ATL250C12G134			250 kcmil	-	1/2	0.51	1-3/4				1.75	1.09	0.15	0.62	2.99		1.61	4.96		
ATL300C38G1	300 kcmil	150	3/8	0.41	1	1.00	1.19	0.15	0.38	1.81	1.97	4.13	White							
ATL300C12G134			1/2	0.51	1-3/4	1.75						0.62		2.99	5.31					
ATL350C38G1	350 kcmil	-	3/8	0.41	1	1.00	1.28	0.17	0.38	1.81	1.97	4.21	Red							
ATL350C12G134			1/2	0.51	1-3/4	1.75						0.62		2.99	5.39					
ATL400C38G1	400 kcmil	-	3/8	0.41	1	1.00	1.39	0.18	0.38	1.81	1.97	4.29	Blue							
ATL400C12G134			1/2	0.51	1-3/4	1.75						0.62		2.99	5.47					

Note : Add Suffix "I" after E-Code for Inspection window feature

Copper compression Lugs Long Barrel - 2 Hole Tongue With Or Without Inspection Window

Material : E-Copper
Finish : Electro-Tinned
Application : Up To 35 kVA
Voltage Rating : 600 Volts / 90°C

Features :
 Long Barrel for Better Mechanical & Electrical Properties
 Two Mounting Holes for Better Secureness



• For Crimping Tool details please refer to page no. 93

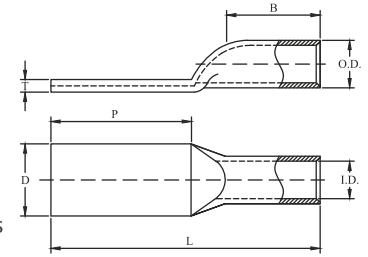
E-Code	Conductor AWG	Conductor MM ²	Bolt Size	Stud Hole ØE	Stud Hole Spacing	Dimensions							Color Code
						G	D	T	F	P	B	L	
ATL500C38G1	500 kcmil	240	3/8	0.41	1	1.00	1.54	0.22	0.38	1.81	2.24	4.57	Brown
ATL500C12G134			1/2	0.51	1-3/4	1.75			0.62	2.99		5.75	
ATL600C38G1	600 kcmil	300	3/8	0.41	1	1.00	1.72	0.25	0.38	1.81	2.24	4.61	Green
ATL600C12G134			1/2	0.51	1-3/4	1.75			0.62	2.99		5.79	
ATL700C38G1	700 kcmil	-	3/8	0.41	1	1.00	1.77	0.27	0.38	1.81	2.64	5.12	Pink
ATL700C12G134			1/2	0.51	1-3/4	1.75			0.62	2.99		6.30	
ATL700C58G134			5/8	0.67	1-3/4	1.75			0.62	2.99		6.30	
ATL750C38G1	750 kcmil	-	3/8	0.41	1	1.00	1.90	0.27	0.38	1.81	2.64	5.12	Black
ATL750C12G134			1/2	0.51	1-3/4	1.75			0.62	2.99		6.30	
ATL800C12G134	800 kcmil	400	1/2	0.51	1-3/4	1.75	1.93	0.27	0.62	2.99	2.64	6.30	Orange
ATL800C58G134			5/8	0.67	1-3/4								
ATL1000C12G134	1000 kcmil	500	1/2	0.51	1-3/4	1.75	2.18	0.33	0.62	2.99	3.15	6.81	White
ATL1000C58G134			5/8	0.67	1-3/4								

Note : Add Suffix "I" after E-Code for Inspection window feature

Copper compression Lugs Long Barrel - 2 Hole Blank Tongue With Or Without Inspection Window

Material : E-Copper
Finish : Electro-Tinned
Application : Up To 35 kVA
Voltage Rating : 600 Volts / 90°C

Features :
 Long Barrel for Better Mechanical & Electrical Properties
 Blank Tongue to select custom Hole sizes & Spacings



• For Crimping Tool details please refer to page no. 93

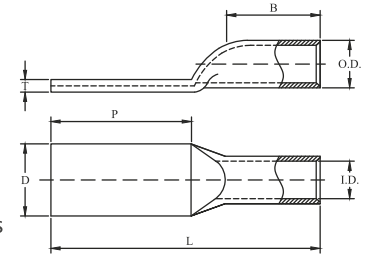
E-Code	Conductor AWG	Conductor MM ²	Bolt Size	Dimensions					Color Code						
				D	T	P	B	L							
ATL8CB14G58	8 AWG	10	#10	0.42	0.08	1.26	0.81	2.19	Red						
ATL8CB14G34			1/4			1.38		2.30							
ATL8CB14G1			1/4			1.81		2.74							
ATL8CB516G134			5/16	0.55	0.06	2.99		3.92							
ATL8CB38G134			3/8	0.57		1.81		2.74							
ATL8CB38G1			3/8			1.81		2.74							
ATL6CB14G12			6 AWG	-	1/4	0.42		0.08		1.14	0.98	2.24	Blue		
ATL6CB14G58	1/4	1.26			2.36										
ATL6CB14G34	1/4	1.38			2.48										
ATL6CB38G78	3/8	0.57			1.61	2.71									
ATL6CB38G1	3/8				1.81	2.91									
ATL6CB12G134	1/2				2.99	4.09									
ATL4CB14G58	4 AWG	-			1/4	0.49	0.09	1.26	0.98	2.36		Gray			
ATL4CB14G34			1/4	1.38	2.48										
ATL4CB14G1			1/4	1.81	2.91										
ATL4CB38G1			5/16	0.57	0.07	1.62	2.71								
ATL4CB38G34			3/8			1.81	2.91								
ATL4CB38G1			3/8			2.99	4.09								
ATL4CB12G134			1/2	0.74	0.05	2.99	4.09								
ATL3CB14G58	3 AWG	25	1/4	0.50	0.09	1.26	1.10	2.52	White						
ATL3CB14G34			1/4			1.38		2.64							
ATL3CB516G34			5/16	0.55	0.08	1.61		2.87							
ATL3CB38G34			3/8	0.59	0.07	1.61		2.87							
ATL3CB38G1			3/8			1.81		3.07							
ATL3CB12G134			1/2			2.99		4.25							
ATL2CB14G58			2 AWG	35	1/4	0.60		0.10		1.26	1.10	2.52	Brown		
ATL2CB14G34	1/4	1.38			2.64										
ATL2CB38G1	1/4	1.81			3.07										
ATL2CB38G78	5/16	0.60			0.10	1.61	1.10	2.87							
ATL2CB38G1	5/16								0.60	0.10		1.61		1.10	2.87
ATL2CB38G1	3/8														
ATL2CB38G1	3/8	0.60			0.10	1.61	1.10	2.87							
ATL2CB38G1	3/8								0.60	0.10		1.61		1.10	2.87
ATL2CB38G134	3/8														
ATL2CB12G134	1/2	0.74	0.08	2.99	4.25										

Note : Add Suffix "I" after E-Code for Inspection window feature

Copper compression Lugs Long Barrel - 2 Hole Blank Tongue With Or Without Inspection Window

Material : E-Copper
Finish : Electro-Tinned
Application : Up To 35 kVA
Voltage Rating : 600 Volts / 90°C

Features :
 Long Barrel for Better Mechanical & Electrical Properties
 Blank Tongue to select custom Hole sizes & Spacings



• For Crimping Tool details please refer to page no. 93

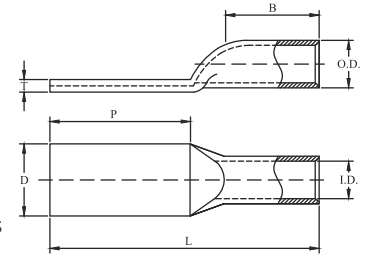
E-Code	Conductor AWG	Conductor MM ²	Bolt Size	Dimensions					Color Code
				D	T	P	B	L	
ATL1CB14G58	1 AWG	50	1/4	0.67	0.11	1.26	1.10	2.56	Green
ATL1CB14G34			1/4			1.38		2.68	
ATL1CB38G78			5/16			1.61		2.91	
ATL1CB38G1			3/8			1.81		3.11	
ATL1CB12G134			1/2			2.99		4.29	
ATL10CB14G58			1/0 AWG			-		1/4	
ATL10CB14G34	1/4	1.38		2.78					
ATL10CB38G78	5/16	1.61		3.01					
ATL10CB38G1	3/8	1.81		3.21					
ATL10CB12G134	3/8	2.99		4.39					
ATL10CB12G134	1/2	2.99		4.39					
ATL20CB14G58	2/0 AWG	70	1/4	0.81	0.12	1.26	1.38	2.87	Black
ATL20CB14G34			1/4			1.38		2.99	
ATL20CB38G1			1/4			1.81		3.43	
ATL20CB12G134			3/8			2.99		4.61	
ATL20CB12G134			1/2			2.99		4.61	
ATL20CB12G134			1/2			2.99		4.61	
ATL30CB14G58	3/0 AWG	-	1/4	0.90	0.13	1.26	1.38	2.95	Orange
ATL30CB14G34			1/4			1.38		3.07	
ATL30CB38G1			5/16			1.81		3.50	
ATL30CB12G134			3/8			2.99		4.69	
ATL30CB12G134			1/2			2.99		4.69	
ATL30CB12G134			1/2			2.99		4.69	
ATL40CB14G58	4/0 AWG	-	1/4	1.00	0.13	1.26	1.42	2.99	Purple
ATL40CB14G34			1/4			1.38		3.11	
ATL40CB38G1			3/8			1.81		3.54	
ATL40CB12G134			3/8			2.99		4.72	
ATL40CB12G134			1/2			2.99		4.72	
ATL40CB12G134			1/2			2.99		4.72	

Note : Add Suffix "I" after E-Code for Inspection window feature

Copper compression Lugs Long Barrel - 2 Hole Blank Tongue With Or Without Inspection Window

Material : E-Copper
Finish : Electro-Tinned
Application : Up To 35 kVA
Voltage Rating : 600 Volts / 90°C

Features :
 Long Barrel for Better Mechanical & Electrical Properties
 Blank Tongue to select custom Hole sizes & Spacings



• For Crimping Tool details please refer to page no. 93

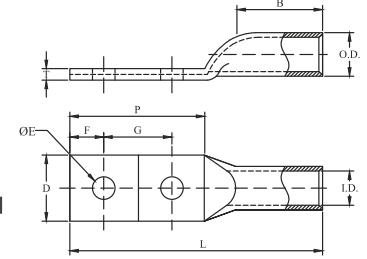
E-Code	Conductor AWG	Conductor MM ²	Bolt Size	Dimensions					Color Code
				D	T	P	B	L	
ATL250CB38G1	250 kcmil	-	3/8	1.09	0.15	1.81	1.61	3.78	Yellow
ATL250CB12G134			1/2			2.99		4.96	
ATL300CB38G1	300 kcmil	150	3/8	1.19	0.15	1.81	1.97	4.13	White
ATL300CB12G134			1/2			2.99		5.31	
ATL350CB38G1	350 kcmil	-	3/8	1.28	0.17	1.81	1.97	4.21	Red
ATL350CB12G134			1/2			2.99		5.39	
ATL400CB38G1	400 kcmil	-	3/8	1.39	0.18	1.81	1.97	4.29	Blue
ATL400CB12G134			1/2			2.99		5.47	
ATL500CB38G1	500 kcmil	240	3/8	1.54	0.22	1.81	2.24	4.57	Brown
ATL500CB12G134			1/2			2.99		5.75	
ATL600CB38G1	600 kcmil	300	3/8	1.72	0.25	1.81	2.24	4.61	Green
ATL600CB12G134			1/2			2.99		5.79	
ATL700CB38G1	700 kcmil	-	3/8	1.77	0.27	1.81	2.64	5.12	Pink
ATL700CB58G134			1/2			2.99		6.30	
			5/8						
ATL750CB38G1	750 kcmil	-	3/8	1.90	0.27	1.81	2.64	5.12	Black
ATL750CB12G134			1/2			2.99		6.30	
ATL800CB58G134	800 kcmil	400	1/2	1.93	0.27	2.99	2.64	6.30	Orange
			5/8						
ATL1000CB58G134	1000 kcmil	500	1/2	2.18	0.33	2.99	3.15	6.81	White
			5/8						

Note : Add Suffix "I" after E-Code for Inspection window feature

Copper Compression Lugs Long Barrel - 2 Hole Tongue Break Away With Or Without Inspection Window

Material : E-Copper
Finish : Electro-Tinned
Application : Up To 35 kVA
Voltage Rating : 600 Volts / 90°C

Features : Long Barrel for Better Mechanical & Electrical Properties • Two Mounting Holes for Better Secureness
 Break Away feature to allow field modification of the Lug from 2 Hole to 1 Hole
 • For Crimping Tool details please refer to page no. 93



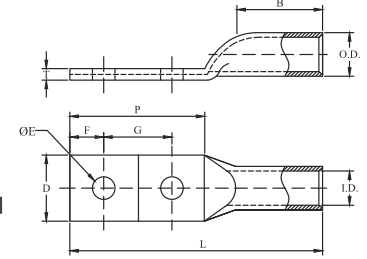
E-Code	Conductor AWG	Conductor MM ²	Bolt Size	Stud Hole ØE	Stud Hole Spacing	Dimensions						Color Code				
						G	D	T	F	P	B		L			
ATLB8C10G58	8 AWG	10	#10	0.21	5/8	0.63	0.42	0.08	0.28	1.26	0.81	2.19	Red			
ATLB8C14G58			5/8		1.38					2.30						
ATLB8C14G34			1/4	0.25		3/4	0.75	0.38	1.81	2.74						
ATLB8C14G1			1/4	0.33	1	1.00	0.55	0.06	0.62	2.99	3.92					
ATLB8C516G134			5/16		1 3/4	1.75					0.57	0.38		1.81	2.74	
ATLB8C38G134			3/8	0.41	1 3/4	1.00	0.57	0.06	0.38	1.81	2.74					
ATLB8C38G1			3/8		1						0.62	2.99		4.09		
ATLB6C14G12			6 AWG	-	1/4	0.25	1/2	0.50	0.42	0.08	0.28	1.14		0.98	2.24	Blue
ATLB6C14G58	5/8	0.63			1.26		2.36									
ATLB6C14G34	1/4	3/4			0.75	1.38	2.48									
ATLB6C38G34	3/8	3/4			0.75	0.57	0.06	0.38	1.61	2.71						
ATLB6C38G78	3/8	7/8			0.88					1.81	2.71					
ATLB6C38G1	3/8	1			1.00	1.81	2.91									
ATLB6C12G134	1/2	0.51			1 3/4	1.75	0.74	0.04	0.62	2.99	4.09					
ATLB4C14G58	4 AWG	-			1/4	0.25	5/8	0.63	0.49	0.09	0.28	1.26	0.98	2.36	Gray	
ATLB4C14G34			3/4	0.75	1.38		2.48									
ATLB4C14G1			1/4	1	1.00	0.57	0.07	0.38	1.81	2.91						
ATLB4C516G1			5/16	0.33	1					1.62	2.71					
ATLB4C38G34			3/8	0.41	3/4	0.75	1.81	2.91								
ATLB4C38G1			3/8	1	1.00	1.81	2.91									
ATLB4C12G134			1/2	0.51	1-3/4	1.75	0.74	0.05	0.62	2.99	4.09					
ATLB3C14G58			3 AWG	25	1/4	0.25	5/8	0.63	0.50	0.09	0.28	1.26	1.10	2.52		White
ATLB3C14G34	3/4	1.38			2.64											
ATLB3C516G34	5/16	0.33			3/4	0.75	0.55	0.08	0.32	1.61	2.87					
ATLB3C38G34	3/8	0.41			3/4	0.75	0.59	0.07	0.38	1.61	2.87					
ATLB3C38G1	3/8	1			1.00	1.81	3.07									
ATLB3C12G134	1/2	0.51			1 3/4	1.75	0.74	0.05	0.62	2.99	4.25					
ATLB2C14G58	2 AWG	35			1/4	0.25	5/8	0.63	0.60	0.10	0.28	1.26	1.10	2.52	Brown	
ATLB2C14G34					3/4		0.75					1.38		2.64		
ATLB2C14G1			1/4	1	1.00	0.38	1.81	3.07								
ATLB2C516G34			5/16	0.33	3/4	0.75	0.62	0.08	0.32	1.61	1.10	2.87				
ATLB2C516G78			5/16		7/8	0.88										
ATLB2C38G34			3/8	0.41	3/4	0.75	0.62	0.08	0.38	1.81	3.07					
ATLB2C38G78			3/8		7/8	0.88										
ATLB2C38G1			3/8	1	1.00	1.81	3.07									
ATLB2C38G134			3/8	1-3/4	1.75	0.62	2.99	4.25								
ATLB2C12G134			1/2	0.51	1-3/4	1.75	0.74	0.08	0.62	2.99	4.25					

Note : Add Suffix "I" after E-Code for Inspection window feature

Copper Compression Lugs Long Barrel - 2 Hole Tongue Break Away With Or Without Inspection Window

Material : E-Copper
Finish : Electro-Tinned
Application : Up To 35 kVA
Voltage Rating : 600 Volts / 90°C

Features : Long Barrel for Better Mechanical & Electrical Properties • Two Mounting Holes for Better Secureness
 Break Away feature to allow field modification of the Lug from 2 Hole to 1 Hole
 • For Crimping Tool details please refer to page no. 93



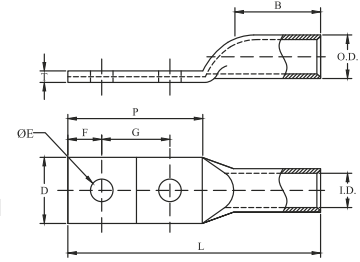
E-Code	Conductor AWG	Conductor MM ²	Bolt Size	Stud Hole ØE	Stud Hole Spacing	Dimensions						Color Code				
						G	D	T	F	P	B		L			
ATLB1C14G58	1 AWG	50	1/4	0.25	5/8	0.63	0.67	0.11	0.28	1.26	1.10	2.56	Green			
ATLB1C14G34			3/4		0.75									0.32	1.38	
ATLB1C516G78			5/16	0.33	7/8	0.88			1.61	2.91						
ATLB1C38G78			3/8	0.41	7/8									1.00	1.81	3.11
ATLB1C38G1			3/8		1	1.75			2.99	4.29						
ATLB1C12G134			1/2	0.51	1-3/4									1.75	0.74	0.10
ATLB10C14G58			1/0 AWG	-	1/4	0.25			5/8	0.63				0.74	0.13	0.28
ATLB10C14G34	3/4	0.75			0.32		1.38									
ATLB10C516G78	5/16	0.33				7/8		0.88	1.61	3.21						
ATLB10C38G34	3/8	0.41			3/4	1.00	1.81				4.39					
ATLB10C38G78	3/8				7/8			1.75	2.99	4.39						
ATLB10C38G1	3/8	1			1.75	2.99	4.39									
ATLB10C38G134	3/8	1-3/4						1.75	0.62	2.99	4.39					
ATLB10C12G134	1/2	0.51	1-3/4	1.75	0.62	2.99	4.39									
ATLB20C14G58	2/0 AWG	70	1/4	0.25	5/8	0.63	0.81	0.12	0.28	1.26	1.38	3.43	Black			
ATLB20C14G34			3/4		0.75									0.38	1.81	
ATLB20C14G1			1/4	1	1.00	2.99			4.61							
ATLB20C38G1			3/8	0.41						1				1.75	4.61	
ATLB20C38G134			3/8		1-3/4	1.75			2.99	4.61						
ATLB20C12G134			1/2	0.51	1-3/4									1.75	0.62	2.99
ATLB30C14G58			3/0 AWG	-	1/4	0.25			5/8	0.63				0.90	0.13	0.28
ATLB30C14G34	3/4	0.75			0.38		1.81									
ATLB30C516G1	5/16	0.33				1		1.00	2.99	4.69						
ATLB30C38G1	3/8	0.41			1	1.75	4.69									
ATLB30C38G134	3/8				1-3/4			1.75	2.99	4.69						
ATLB30C12G134	1/2	0.51			1-3/4	1.75	0.62				2.99	4.69				
ATLB40C14G58	4/0 AWG	-			1/4	0.25	5/8	0.63	1.00	0.13	0.28	1.26	1.42			3.54
ATLB40C14G34			3/4	0.75	0.38		1.81									
ATLB40C38G1			3/8	0.41		1		1.00			2.99	4.72				
ATLB40C38G134			3/8		1 3/4	1.75	2.99							4.72		
ATLB40C12G134			1/2	0.51	1-3/4			1.75			0.62	2.99			4.72	
ATLB250C38G1	250 kcmil	-	3/8	0.41	1	1.00	1.09	0.15	0.38	1.81	1.61	3.78	Yellow			
ATLB250C12G134	250 kcmil	-	1/2	0.51	1-3/4	1.75	1.09	0.15	0.62	2.99	1.61	4.96				
ATLB300C38G1	300 kcmil	150	3/8	0.41	1	1.00	1.19	0.15	0.38	1.81	1.97	4.13	White			
ATLB300C12G134			1/2	0.51	1-3/4	1.75			0.62	2.99		5.31				
ATLB350C38G1	350 kcmil	-	3/8	0.41	1	1.00	1.28	0.17	0.38	1.81	1.97	4.21	Red			
ATLB350C12G134			1/2	0.51	1-3/4	1.75			0.62	2.99		5.39				

Note : Add Suffix "I" after E-Code for Inspection window feature

Copper Compression Lugs Long Barrel - 2 Hole Tongue Break Away With Or Without Inspection Window

Material : E-Copper
Finish : Electro-Tinned
Application : Up To 35 kVA
Voltage Rating : 600 Volts / 90°C

Features : Long Barrel for Better Mechanical & Electrical Properties • Two Mounting Holes for Better Secureness
 Break Away feature to allow field modification of the Lug from 2 Hole to 1 Hole
 • For Crimping Tool details please refer to page no. 93



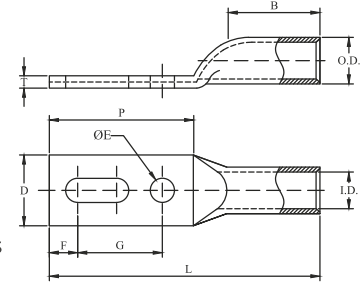
E-Code	Conductor AWG	Conductor MM ²	Bolt Size	Stud Hole ØE	Stud Hole Spacing	Dimensions						Color Code	
						G	D	T	F	P	B		L
ATLB400C38G1	400 kcmil	-	3/8	0.41	1	1.00	1.39	0.18	0.38	1.81	1.97	4.29	Blue
ATLB400C12G134			1/2	0.51	1-3/4	1.75			0.62	2.99		5.47	
ATLB500C38G1	500 kcmil	240	3/8	0.41	1	1.00	1.54	0.22	0.38	1.81	2.24	4.57	Brown
ATLB500C12G134			1/2	0.51	1-3/4	1.75			0.62	2.99		5.75	
ATLB600C38G1	600 kcmil	300	3/8	0.41	1	1.00	1.72	0.25	0.38	1.81	2.24	4.61	Green
ATLB600C12G134			1/2	0.51	1-3/4	1.75			0.62	2.99		5.79	
ATLB700C38G1	700 kcmil	-	3/8	0.41	1	1.00	1.77	0.27	0.38	1.81	2.64	5.12	Pink
ATLB700C12G134			1/2	0.51	1-3/4	1.75			0.62	2.99		6.30	
ATLB700C58G134			5/8	0.67	1-3/4								
ATLB750C38G1	750 kcmil	-	3/8	0.41	1	1.00	1.90	0.27	0.38	1.81	2.64	5.12	Black
ATLB750C12G134			1/2	0.51	1-3/4	1.75			0.62	2.99		6.30	
ATLB800C12G134	800 kcmil	400	1/2	0.51	1-3/4	1.75	1.93	0.27	0.62	2.99	2.64	6.30	Orange
ATLB800C58G134			5/8	0.67	1-3/4								
ATLB1000C12G134	1000 kcmil	500	1/2	0.51	1-3/4	1.75	2.18	0.33	0.62	2.99	3.15	6.81	White
ATLB1000C58G134I			5/8	0.67	1-3/4								

Note : Add Suffix "I" after E-Code for Inspection window feature

Copper Compression Lugs Long Barrel - 2 Hole Slotted Tongue With Or Without Inspection Window

Material : E-Copper
Finish : Electro-Tinned
Application : Up To 35 kVA
Voltage Rating : 600 Volts / 90°C

Features :
 Long Barrel for Better Mechanical & Electrical Properties
 Two Mounting Holes for Better Secureness
 Slotted Hole provides range for different Hole Spacings
 • For Crimping Tool details please refer to page no. 93



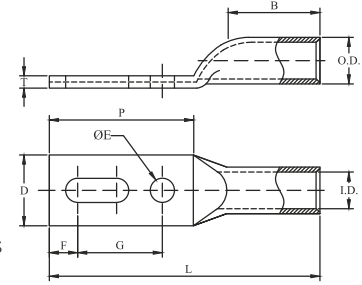
E-Code	Conductor AWG	Conductor MM ²	Bolt Size	Stud Hole ØE	Stud Hole Spacing	Dimensions						Color Code						
						G	D	T	F	P	B		L					
ATLS8C10G58	8 AWG	10	#10	0.21	5/8	0.63	0.42	0.08	0.28	1.26	0.81	2.19	Red					
ATLS8C14G58			1/4	5/8														
ATLS8C14G34			1/4	0.25	3/4	0.75	1.00	0.38	1.81	0.62	2.99	2.74						
ATLS8C14G1			1/4	1														
ATLS8C516G134			5/16	0.33	1 3/4	1.75	0.55	0.06	0.38	1.81	3.92							
ATLS8C38G134			3/8	0.41	1 3/4	1.00	0.57					2.74						
ATLS8C38G1			3/8	1	1.00	0.57	0.38	1.81	2.74									
ATLS6C14G12			6 AWG	-	1/4	0.25	1/2	0.50	0.42	0.08	0.28	1.14		0.98	2.24	Blue		
ATLS6C14G58	1/4	5/8			0.63		0.57	0.06					0.38				1.61	2.71
ATLS6C14G34	1/4	3/4			0.75													
ATLS6C38G34	3/8	0.41			3/4	0.75	0.57	0.06	0.38	1.61	2.71							
ATLS6C38G78	3/8	0.41			7/8	0.88						0.57	0.06	0.38	1.81		2.91	
ATLS6C38G1	3/8	1			1.00	0.57	0.06	0.38	1.81	2.91								
ATLS6C12G134	1/2	0.51			1 3/4						1.75	0.74	0.04	0.62	2.99		4.09	
ATLS4C14G58	4 AWG	-			1/4	0.25	5/8	0.63	0.49	0.09	0.28	1.26	0.98	2.36	Gray			
ATLS4C14G34			1/4	3/4	0.75		0.57	0.07								0.38	1.62	2.71
ATLS4C14G1			1/4	1	1.00													
ATLS4C516G1			5/16	0.33	1	1.00	0.57	0.07	0.38	1.62	2.71							
ATLS4C38G34			3/8	0.41	3/4	0.75						0.57	0.07	0.38		1.81	2.91	
ATLS4C38G1			3/8	0.41	1	1.00	0.57	0.07	0.38	1.81	2.91							
ATLS4C12G134			1/2	0.51	1-3/4	1.75						0.74	0.05	0.62		2.99	4.09	
ATLS3C14G58			3 AWG	25	1/4	0.25	5/8	0.63	0.50	0.09	0.28	1.26	1.10	2.52		White		
ATLS3C14G34	1/4	3/4			0.75		0.55	0.08							0.32		1.61	2.87
ATLS3C516G34	5/16	0.33			3/4	0.75			0.59	0.07	0.38	1.61	2.87					
ATLS3C38G34	3/8	0.41			3/4	0.75	0.59	0.07						0.38	1.81		3.07	
ATLS3C38G1	3/8	0.41			1	1.00			0.59	0.07	0.38	1.81	3.07					
ATLS3C12G134	1/2	0.51			1 3/4	1.75	0.74	0.05						0.62	2.99		4.25	
ATLS2C14G58	2 AWG	35			1/4	0.25	5/8	0.63	0.60	0.10	0.28	1.26	1.10	2.52	Brown			
ATLS2C14G34					1/4		3/4	0.75									0.60	0.10
ATLS2C14G1			1/4	1	1.00		0.60	0.10								0.38		
ATLS2C516G34			5/16	0.33	3/4	0.75			0.60	0.10	0.32	1.61	2.87					
ATLS2C516G78			5/16	0.33	7/8	0.88	0.60	0.10						0.32		1.61	2.87	
ATLS2C38G34			3/8	0.41	3/4	0.75			0.60	0.10	0.38	1.81	3.07					
ATLS2C38G78			3/8		7/8	0.88	0.60	0.10						0.38		1.81	3.07	
ATLS2C38G1			3/8	1	1.00	0.60			0.10	0.38	1.81	3.07						
ATLS2C38G134			3/8	1-3/4	1.75		0.60	0.10					0.38	1.81		3.07		
ATLS2C12G134			1/2	0.51	1-3/4	1.75			0.74	0.08	0.62	2.99					4.25	

Note : Add Suffix "I" after E-Code for Inspection window feature

Copper Compression Lugs Long Barrel - 2 Hole Slotted Tongue With Or Without Inspection Window

Material : E-Copper
Finish : Electro-Tinned
Application : Up To 35 kVA
Voltage Rating : 600 Volts / 90°C

Features :
 Long Barrel for Better Mechanical & Electrical Properties
 Two Mounting Holes for Better Secureness
 Slotted Hole provides range for different Hole Spacings
 • For Crimping Tool details please refer to page no. 93



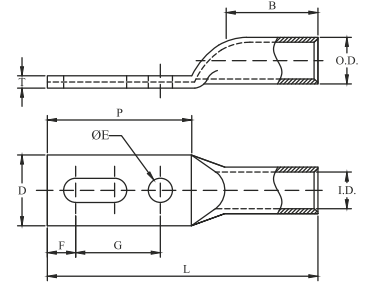
E-Code	Conductor AWG	Conductor MM ²	Bolt Size	Stud Hole ØE	Stud Hole Spacing	Dimensions						Color Code	
						G	D	T	F	P	B		L
ATLS1C14G58	1 AWG	50	1/4	0.25	5/8	0.63	0.67	0.11	0.28	1.26	1.10	2.56	Green
ATLS1C14G34			3/4		0.75				1.38				
ATLS1C516G78			5/16	0.33	7/8	0.88	0.32	1.61	2.91				
ATLS1C38G78			3/8	0.41	7/8		0.38			1.81	3.11		
ATLS1C38G1			3/8		1	1.00	1.75	0.74	0.10			0.62	
ATLS1C12G134			1/2	0.51	1-3/4	1.75							
ATLS10C14G58			1/0 AWG	-	1/4	0.25	5/8	0.63	0.74	0.13	0.28	1.26	
ATLS10C14G34	3/4	0.75			1.38		2.78						
ATLS10C516G78	5/16	0.33			7/8	0.88		0.32	1.61	3.01			
ATLS10C38G34	3/8	0.41			3/4		0.75	0.38			1.81	3.21	
ATLS10C38G78	3/8				7/8	0.88	1.75		0.74	0.13			0.62
ATLS10C38G1	3/8	1			1.00								
ATLS10C38G134	3/8	1-3/4			1.75								
ATLS10C12G134	1/2	0.51	1-3/4	1.75									
ATLS20C14G58	2/0 AWG	70	1/4	0.25	5/8	0.63	0.81	0.12	0.28	1.26	1.38	2.87	Black
ATLS20C14G34			3/4		0.75				1.38				
ATLS20C14G1			1/4	0.41	1	1.00	0.38	1.81	1.38	3.43			
ATLS20C38G1			3/8		1						1.75		
ATLS20C38G134			3/8	1-3/4	1.75	0.90	0.13	0.62	2.99	4.61			
ATLS20C12G134			1/2	0.51	1-3/4								
ATLS30C14G58			3/0 AWG	-	1/4	0.25	5/8	0.63	0.90	0.13	0.28	1.26	
ATLS30C14G34	3/4	0.75			1.38		3.07						
ATLS30C516G1	5/16	0.33			1	1.00		0.38	1.81	1.38	3.50		
ATLS30C38G1	3/8	0.41			1		1.75						
ATLS30C38G134	3/8				1-3/4	1.75		1.00	0.13	0.62	2.99	4.69	
ATLS30C12G134	1/2	0.51			1-3/4								
ATLS40C14G58	4/0 AWG	-			1/4	0.25	5/8	0.63	1.00	0.13	0.28	1.26	1.42
ATLS40C14G34			3/4	0.75	1.38		3.11						
ATLS40C38G1			3/8	0.41	1	1.00		0.38	1.81	1.42	3.54		
ATLS40C38G134			3/8		1 3/4		1.75					1.09	0.15
ATLS40C12G134			1/2	0.51	1-3/4								
ATLS250C38G1	250 kcmil	-	3/8	0.41	1	1.00	1.09	0.15	0.38	1.81	1.61	3.78	Yellow
ATLS250C12G134	1/2	0.51	1-3/4	1.75	0.62	2.99	4.96						
ATLS300C38G1	300 kcmil	150	3/8	0.41	1	1.00	1.19	0.15	0.38	1.81	1.97	4.13	White
ATLS300C12G134			1/2	0.51	1-3/4	1.75			0.62			2.99	
ATLS350C38G1	350 kcmil	-	3/8	0.41	1	1.00	1.28	0.17	0.38	1.81	1.97	4.21	Red
ATLS350C12G134			1/2	0.51	1-3/4	1.75			0.62			2.99	

Note : Add Suffix "I" after E-Code for Inspection window feature

Copper Compression Lugs Long Barrel - 2 Hole Slotted Tongue With Or Without Inspection Window

Material : E-Copper
Finish : Electro-Tinned
Application : Up To 35 kVA
Voltage Rating : 600 Volts / 90°C

Features :
 Long Barrel for Better Mechanical & Electrical Properties
 Two Mounting Holes for Better Secureness
 Slotted Hole provides range for different Hole Spacings
 • For Crimping Tool details please refer to page no. 93



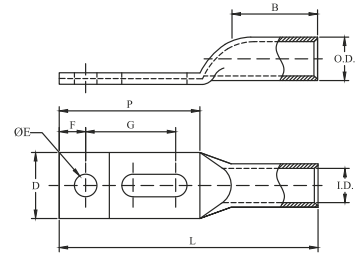
E-Code	Conductor AWG	Conductor MM ²	Bolt Size	Stud Hole ØE	Stud Hole Spacing	Dimensions							Color Code
						G	D	T	F	P	B	L	
ATLS400C38G1	400 kcmil	-	3/8	0.41	1	1.00	1.39	0.18	0.38	1.81	1.97	4.29	Blue
ATLS400C12G134			1/2	0.51	1-3/4	1.75			0.62	2.99		5.47	
ATLS500C38G1	500 kcmil	240	3/8	0.41	1	1.00	1.54	0.22	0.38	1.81	2.24	4.57	Brown
ATLS500C12G134			1/2	0.51	1-3/4	1.75			0.62	2.99		5.75	
ATLS600C38G1	600 kcmil	300	3/8	0.41	1	1.00	1.72	0.25	0.38	1.81	2.24	4.61	Green
ATLS600C12G134			1/2	0.51	1-3/4	1.75			0.62	2.99		5.79	
ATLS700C38G1	700 kcmil	-	3/8	0.41	1	1.00	1.77	0.27	0.38	1.81	2.64	5.12	Pink
ATLS700C12G134			1/2	0.51	1-3/4	1.75			0.62	2.99		6.30	
ATLS700C58G134			5/8	0.67	1-3/4								
ATLS750C38G1	750 kcmil	-	3/8	0.41	1	1.00	1.90	0.27	0.38	1.81	2.64	5.12	Black
ATLS750C12G134			1/2	0.51	1-3/4	1.75			0.62	2.99		6.30	
ATLS800C12G134	800 kcmil	400	1/2	0.51	1-3/4	1.75	1.93	0.27	0.62	2.99	2.64	6.30	Orange
ATLS800C58G134			5/8	0.67	1-3/4								
ATLS1000C12G134	1000 kcmil	500	1/2	0.51	1-3/4	1.75	2.18	0.33	0.62	2.99	3.15	6.81	White
ATLS1000C58G134			5/8	0.67	1-3/4								

Note : Add Suffix "I" after E-Code for Inspection window feature

Copper Compression Lugs Long Barrel - 2 Hole Slotted Tongue Break Away Feature With Or Without Inspection Window

Material : E-Copper
Finish : Electro-Tinned
Application : Up To 35 kVA
Voltage Rating : 600 Volts / 90°C

Features : Long Barrel for Better Mechanical & Electrical Properties
 Two Mounting Holes for Better Secureness
 Slotted Hole provides range for different Hole Spacings
 Break Away feature to allow field modification of the Lug from 2 Hole to 1 Hole

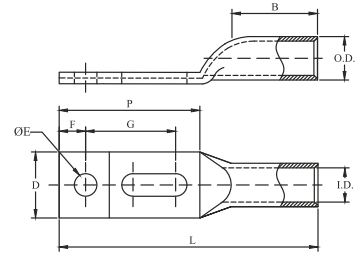


• For Crimping Tool details please refer to page no. 93

E-Code	Conductor AWG	Conductor MM ²	Bolt Size	Stud Hole ØE	Stud Hole Spacing	Dimensions							Color Code			
						G	D	T	F	P	B	L				
ATLSB8C10G58	8 AWG	10	#10	0.21	5/8	0.63	0.42	0.08	0.28	1.26	0.81	2.19	Red			
ATLSB8C14G58			1/4	5/8												
ATLSB8C14G34			1/4	0.25	3/4	0.75	1.00	0.38	1.81	3.92						
ATLSB8C14G1			1/4	1												
ATLSB8C516G134			5/16	0.33	1 3/4	1.75	0.55	0.06	0.62	2.99	2.74					
ATLSB8C38G134			3/8	0.41	1 3/4	1.00	0.57									
ATLSB8C38G1			3/8	1	1.00	0.38	1.81									
ATLSB6C14G12			6 AWG	-	1/4	0.25	1/2	0.50	0.42	0.08	0.28	1.14		0.98	2.24	Blue
ATLSB6C14G58	1/4	5/8			0.63		1.26									
ATLSB6C14G34	1/4	3/4			0.75	1.38	0.57	0.06	0.38	1.61	2.71					
ATLSB6C38G34	3/8	3/4			0.75	1.00						1.81				
ATLSB6C38G78	3/8	0.41			7/8	0.88	0.38	1.81	2.91							
ATLSB6C38G1	3/8	1			1.00	0.62	2.99	4.09								
ATLSB6C12G134	1/2	0.51			1 3/4	1.75	0.74	0.04	0.62	2.99	4.09					
ATLSB4C14G58	4 AWG	-			1/4	0.25	5/8	0.63	0.49	0.09	0.28	1.26	0.98	2.36	Gray	
ATLSB4C14G34			1/4	3/4	0.75		1.38									
ATLSB4C14G1			1/4	1	1.00	0.57	0.07	0.38	1.62	2.71						
ATLSB4C516G1			5/16	0.33	1						1.81					
ATLSB4C38G34			3/8	0.41	3/4	0.75	0.62	2.99	4.09							
ATLSB4C38G1			3/8	1	1.00	0.62	2.99	4.09								
ATLSB4C12G134			1/2	0.51	1-3/4	1.75	0.74	0.05	0.62	2.99	4.25					
ATLSB3C14G58			3 AWG	25	1/4	0.25	5/8	0.63	0.50	0.09	0.28	1.26	1.10	2.52		White
ATLSB3C14G34	1/4	3/4			0.75		1.38									
ATLSB3C516G34	5/16	0.33			3/4	0.75	0.55	0.08	0.32	1.61	2.87					
ATLSB3C38G34	3/8	0.41			3/4	0.75	0.59	0.07	0.38	1.61	2.87					
ATLSB3C38G1	3/8	1			1.00	0.59	0.07	0.38	1.61	3.07						
ATLSB3C12G134	1/2	0.51			1 3/4	1.75	0.74	0.05	0.62	2.99	4.25					
ATLSB2C14G58	2 AWG	35			1/4	0.25	5/8	0.63	0.60	0.10	0.28	1.26	1.10	2.87	Brown	
ATLSB2C14G34					1/4		3/4	0.75								
ATLSB2C14G1			1/4	1	1.00	0.38	1.81	3.07								
ATLSB2C516G34			5/16	0.33	3/4				0.75	0.32	1.61	1.10	2.87			
ATLSB2C516G78			5/16	0.41	7/8	0.88	0.38	1.81	3.07							
ATLSB2C38G34			3/8	3/4	0.75	0.62				2.99	4.25					
ATLSB2C38G78			3/8	7/8	0.88		0.62	2.99	4.25							
ATLSB2C38G1			3/8	1	1.00	0.62				2.99	4.25					
ATLSB2C38G134			3/8	1-3/4	1.75		0.62	2.99	4.25							
ATLSB2C12G134			1/2	0.51	1-3/4	1.75				0.74	0.08	0.62	2.99	4.25		

Note : Add Suffix "I" after E-Code for Inspection window feature

Copper Compression Lugs Long Barrel - 2 Hole Slotted Tongue Break Away Feature With Or Without Inspection Window



Material : E-Copper
Finish : Electro-Tinned
Application : Up To 35 kVA
Voltage Rating : 600 Volts / 90°C

Features : Long Barrel for Better Mechanical & Electrical Properties
 Two Mounting Holes for Better Secureness
 Slotted Hole provides range for different Hole Spacings
 Break Away feature to allow field modification of the Lug from 2 Hole to 1 Hole

• For Crimping Tool details please refer to page no. 93

E-Code	Conductor AWG	Conductor MM ²	Bolt Size	Stud Hole ØE	Stud Hole Spacing	Dimensions							Color Code									
						G	D	T	F	P	B	L										
ATLSB1C14G58	1 AWG	50	1/4	0.25	5/8	0.63	0.67	0.11	0.28	1.26	1.10	2.56	Green									
ATLSB1C14G34			1/4		3/4									0.75	1.38	2.68						
ATLSB1C516G78			5/16	0.33	7/8				0.88					0.32			1.61	2.91				
ATLSB1C38G78			3/8	0.41	7/8										1.00	0.38			1.81	3.11		
ATLSB1C38G1			3/8		1				1.75					0.62			2.99	4.29				
ATLSB1C12G134			1/2	0.51	1-3/4										0.74	0.13			0.28	1.26	1.20	3.01
ATLSB10C14G58			1/0 AWG	-	1/4				0.25					5/8			0.63	0.74				
ATLSB10C14G34	1/4	3/4			0.75	1.81	4.39															
ATLSB10C516G78	5/16	0.33			7/8			0.88	0.38	1.81	4.39											
ATLSB10C38G34	3/8	0.41			3/4	1.00	0.62					2.99	4.39									
ATLSB10C38G78	3/8				7/8			1.75	0.62	2.99	4.39											
ATLSB10C38G1	3/8	1			1.75	0.62	2.99					4.39										
ATLSB10C38G134	3/8	1-3/4						0.81	0.12	0.28	0.12		0.38	1.81	1.38	3.43						
ATLSB10C12G134	1/2	0.51	1-3/4	1.75	0.62	2.99	4.61															
ATLSB20C14G58	2/0 AWG	70	1/4									0.25					5/8	0.63	0.81	0.12	0.38	1.81
ATLSB20C14G34			1/4	3/4	0.75	1.00	0.62										2.99					
ATLSB20C14G1			1/4	1	1.75							0.62						2.99	4.61			
ATLSB20C38G1			3/8	0.41		1	1.75										0.62			2.99	4.61	
ATLSB20C38G134			3/8		1-3/4	1.75						0.62						2.99	4.61			
ATLSB20C12G134			1/2	0.51	1-3/4		0.90	0.13	0.28	1.26	1.38		3.50									
ATLSB30C14G58			3/0 AWG	-	1/4	0.25						5/8		0.63	0.90	0.13	0.38	1.81	1.38	3.50	Orange	
ATLSB30C14G34	1/4	3/4			0.75							1.00										0.62
ATLSB30C516G1	5/16	0.33			1	1.75								0.62	2.99	4.69						
ATLSB30C38G1	3/8	0.41			1							1.75					0.62	2.99	4.69			
ATLSB30C38G134	3/8				1-3/4	1.75								0.62	2.99	4.69						
ATLSB30C12G134	1/2	0.51			1-3/4							1.00					0.13	0.28	1.26	1.42		3.54
ATLSB40C14G58	4/0 AWG	-			1/4	0.25	5/8	0.63	1.00	0.13	0.38		1.81	1.42	3.54	Purple						
ATLSB40C14G34			1/4	3/4	0.75		1.00														0.62	
ATLSB40C38G1			3/8	0.41	1	1.75		0.62	2.99	4.72												
ATLSB40C38G134			3/8		1 3/4		1.75				0.62		2.99	4.72								
ATLSB40C12G134			1/2	0.51	1-3/4	1.09		0.15	0.38	1.81					1.61						3.78	
ATLSB250C38G1			250 kcmil	-	3/8		0.41				1		1.00	1.09								
ATLSB250C12G134					1/2						0.51	1-3/4					1.75	1.19	0.15	0.62		2.99
ATLSB300C38G1	300 kcmil	150	3/8	0.41	1		1.00				1.19	0.15	0.38	1.81		1.97	4.13					
ATLSB300C12G134			1/2		0.51													1-3/4	1.75	1.19		0.15

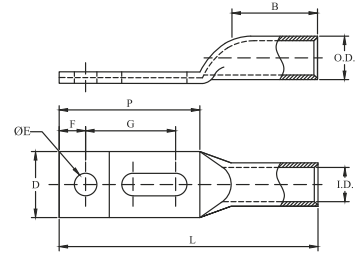
Note : Add Suffix "I" after E-Code for Inspection window feature

Copper Compression Lugs Long Barrel - 2 Hole Slotted Tongue Break Away Feature With Or Without Inspection Window

Material : E-Copper
Finish : Electro-Tinned
Application : Up To 35 kVA
Voltage Rating : 600 Volts / 90°C

Features : Long Barrel for Better Mechanical & Electrical Properties
 Two Mounting Holes for Better Secureness
 Slotted Hole provides range for different Hole Spacings
 Break Away feature to allow field modification of the Lug from 2 Hole to 1 Hole

• For Crimping Tool details please refer to page no. 93



E-Code	Conductor AWG	Conductor MM ²	Bolt Size	Stud Hole ØE	Stud Hole Spacing	Dimensions						Color Code	
						G	D	T	F	P	B		L
ATLSB350C38G1	350 kcmil	-	3/8	0.41	1	1.00	1.28	0.17	0.38	1.81	1.97	4.21	Red
ATLSB350C12G134			1/2	0.51	1-3/4	1.75			0.62	2.99		5.39	
ATLSB400C38G1	400 kcmil	-	3/8	0.41	1	1.00	1.39	0.18	0.38	1.81	1.97	4.29	Blue
ATLSB400C12G134			1/2	0.51	1-3/4	1.75			0.62	2.99		5.47	
ATLSB500C38G1	500 kcmil	240	3/8	0.41	1	1.00	1.54	0.22	0.38	1.81	2.24	4.57	Brown
ATLSB500C12G134			1/2	0.51	1-3/4	1.75			0.62	2.99		5.75	
ATLSB600C38G1	600 kcmil	300	3/8	0.41	1	1.00	1.72	0.25	0.38	1.81	2.24	4.61	Green
ATLSB600C12G134			1/2	0.51	1-3/4	1.75			0.62	2.99		5.79	
ATLSB700C38G1	700 kcmil	-	3/8	0.41	1	1.00	1.77	0.27	0.38	1.81	2.64	5.12	Pink
ATLSB700C12G134			1/2	0.51	1-3/4	1.75			0.62	2.99		6.30	
ATLSB700C58G134			5/8	0.67	1-3/4								
ATLSB750C38G1	750 kcmil	-	3/8	0.41	1	1.00	1.90	0.27	0.38	1.81	2.64	5.12	Black
ATLSB750C12G134			1/2	0.51	1-3/4	1.75			0.62	2.99		6.30	
ATLSB800C12G134	800 kcmil	400	1/2	0.51	1-3/4	1.75	1.93	0.27	0.62	2.99	2.64	6.30	Orange
ATLSB800C58G134			5/8	0.67	1-3/4								
ATLSB1000C12G134	1000 kcmil	500	1/2	0.51	1-3/4	1.75	2.18	0.33	0.62	2.99	3.15	6.81	White
ATLSB1000C58G134			5/8	0.67	1-3/4								

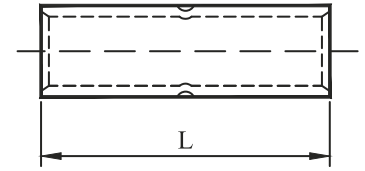
Note : Add Suffix "I" after E-Code for Inspection window feature

Copper Compression Connectors Standard Barrel

Material : E-Copper
Finish : Electro-Tinned
Application : Up To 35 kVA
Voltage Rating : 600 Volts / 90°C

Features :
 Cable Stop Facility

• For Crimping Tool details please refer to page no. 93



E-Code	Conductor AWG	Conductor MM ²	L	Color Code
AJS8C	8 AWG	10	0.90	Red
AJS6C	6 AWG	-	1.00	Blue
AJS4C	4 AWG	-	1.00	Gray
AJS3C	3 AWG	25	1.25	White
AJS2C	2 AWG	35	1.25	Brown
AJS1C	1 AWG	50	1.80	Green
AJS10C	1/0 AWG	-	1.60	Pink
AJS20C	2/0 AWG	70	1.75	Black
AJS30C	3/0 AWG	-	1.75	Orange
AJS40C	4/0 AWG	-	1.90	Purple
AJS250C	250 kcmil	-	2.00	Yellow
AJS300C	300 kcmil	150	2.10	White
AJS350C	350 kcmil	-	2.10	Red
AJS400C	400 kcmil	-	2.30	Blue
AJS500C	500 kcmil	240	2.50	Brown
AJS600C	600 kcmil	300	2.50	Green
AJS700C	700 kcmil	-	2.87	Pink
AJS750C	750 kcmil	-	3.20	Black
AJS800C	800 kcmil	400	3.20	Orange
AJS1000C	1000 kcmil	500	3.70	White

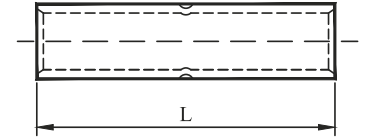


Copper Compression Connectors Long Barrel

Material : E-Copper
Finish : Electro-Tinned
Application : Up To 35 kVA
Voltage Rating : 600 Volts / 90°C

Features :
 Cable Stop Facility
 Long Barrel for Better Mechanical & Electrical Properties

• For Crimping Tool details please refer to page no. 93

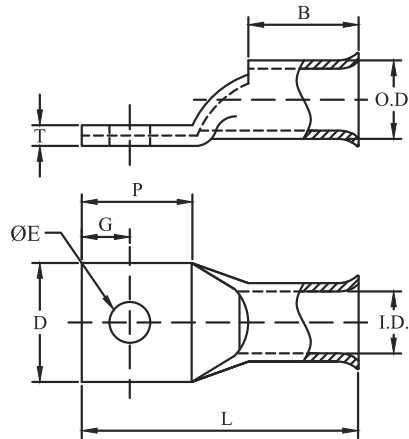


E-Code	Conductor AWG	Conductor MM ²	L	Color Code
AJL8C	8 AWG	10	1.75	Red
AJL6C	6 AWG	-	1.75	Blue
AJL4C	4 AWG	-	1.75	Gray
AJL3C	3 AWG	25	1.90	White
AJL2C	2 AWG	35	1.90	Brown
AJL1C	1 AWG	50	2.20	Green
AJL10C	1/0 AWG	-	2.20	Pink
AJL20C	2/0 AWG	70	2.25	Black
AJL30C	3/0 AWG	-	2.25	Orange
AJL40C	4/0 AWG	-	2.75	Purple
AJL250C	250 kcmil	-	3.25	Yellow
AJL300C	300 kcmil	150	3.50	White
AJL350C	350 kcmil	-	3.75	Red
AJL400C	400 kcmil	-	3.75	Blue
AJL500C	500 kcmil	240	4.25	Brown
AJL600C	600 kcmil	300	4.50	Green
AJL700C	700 kcmil	-	4.60	Pink
AJL750C	750 kcmil	-	4.75	Black
AJL800C	800 kcmil	400	4.75	Orange
AJL1000C	1000 kcmil	500	6.12	White

Copper Compression Lugs Standard Flared Barrel - 1 Hole with Inspection Window

Material : E-Copper
Finish : Electro-Tinned
Application : Up To 35 kVA
Voltage Rating : 600 Volts / 90°C

Features :
 With Inspection Window
 Flared End Barrel for easy insertion of fine Stranded Flexible Cables
 • For Crimping Tool details please refer to page no. 93



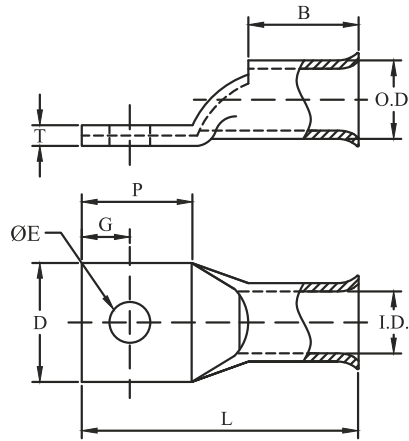
E-Code	Conductor AWG	Conductor MM ²	Bolt Size	Stud Hole ØE	Dimensions						Color Code	
					D	T	G	P	B	L		
ATS8C10IF	8 AWG	10	#10	0.21	0.42	0.08	0.28	0.59	0.49	1.20	Red	
ATS8C14IF			1/4	0.25								
ATS8C516IF			5/16	0.33	0.30	0.63	1.24					
ATS8C38IF			3/8	0.41				0.56		0.05		0.67
ATS6C10IF	6 AWG	-	#10	0.21	0.42	0.08	0.30	0.67	0.71	1.50	Blue	
ATS6C14IF			1/4	0.25								
ATS6C516IF			5/16	0.33	0.49	0.07				1.73		
ATS6C38IF			3/8	0.41								0.57
ATS6C12IF			1/2	0.51	0.71	0.04				0.40		0.90
ATS4C10IF	4 AWG	-	#10	0.21	0.49	0.08	0.31	0.67	0.71	1.50	Gray	
ATS4C14IF			1/4	0.25								
ATS4C516IF			5/16	0.33	0.56	0.07				1.73		
ATS4C38IF			3/8	0.41								0.71
ATS4C12IF			1/2	0.51								
ATS3C10IF	3 AWG	25	#10	0.21	0.50	0.09	0.31	0.81	0.83	1.80	White	
ATS3C14IF			1/4	0.25								
ATS3C516IF			5/16	0.33	0.55	0.08				1.89		
ATS3C38IF			3/8	0.41								0.59
ATS3C12IF			1/2	0.51								
ATS2C10IF	2 AWG	35	#10	0.21	0.60	0.10	0.37	0.81	0.83	1.80	Brown	
ATS2C14IF			1/4	0.25								
ATS2C516IF			5/16	0.33	0.60	0.10				1.89		
ATS2C38IF			3/8	0.41								0.71
ATS2C12IF			1/2	0.51								

• For Crimping Tool details please refer to page no. 93

Copper Compression Lugs Standard Flared Barrel - 1 Hole with Inspection Window

Material : E-Copper
Finish : Electro-Tinned
Application : Up To 35 kVA
Voltage Rating : 600 Volts / 90°C

Features :
 With Inspection Window
 Flared End Barrel for easy insertion of fine Stranded Flexible Cables
 • For Crimping Tool details please refer to page no. 93



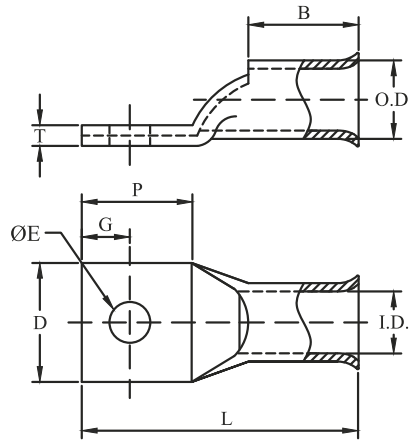
E-Code	Conductor AWG	Conductor MM ²	Bolt Size	Stud Hole ØE	Dimensions						Color Code
					D	T	G	P	B	L	
ATS1C14IF	1 AWG	50	1/4	0.25	0.67	0.11	0.37	0.81	0.83	1.83	Green
ATS1C516IF			5/16	0.33							
ATS1C38IF			3/8	0.41							
ATS1C12IF			1/2	0.51							
ATS10C14IF	1/0 AWG	-	1/4	0.25	0.74	0.13	0.37	0.81	0.83	1.83	Pink
ATS10C516IF			5/16	0.33							
ATS10C38IF			3/8	0.41							
ATS10C12IF			1/2	0.51							
ATS20C14IF	2/0 AWG	70	1/4	0.25	0.81	0.12	0.47	1.06	0.94	2.24	Black
ATS20C516IF			5/16	0.33							
ATS20C38IF			3/8	0.41							
ATS20C12IF			1/2	0.51							
ATS30C14IF	3/0 AWG	-	1/4	0.25	0.90	0.13	0.47	1.06	0.98	2.36	Orange
ATS30C516IF			5/16	0.33							
ATS30C38IF			3/8	0.41							
ATS30C12IF			1/2	0.51							
ATS40C14IF	4/0 AWG	-	1/4	0.25	1.00	0.13	0.47	1.06	0.98	2.36	Purple
ATS40C516IF			5/16	0.33							
ATS40C38IF			3/8	0.41							
ATS40C12IF			1/2	0.51							
ATS40C34IF			3/4	0.75						1.19	
ATS250C14IF	250 kcmil	-	1/4	0.25	1.09	0.15	0.47	1.06	1.06	2.48	Yellow
ATS250C516IF			5/16	0.33							
ATS250C38IF			3/8	0.41							
ATS250C12IF			1/2	0.51							

• For Crimping Tool details please refer to page no. 93

Copper Compression Lugs Standard Flared Barrel - 1 Hole with Inspection Window

Material : E-Copper
Finish : Electro-Tinned
Application : Up To 35 kVA
Voltage Rating : 600 Volts / 90°C

Features :
 With Inspection Window
 Flared End Barrel for easy insertion of fine Stranded Flexible Cables
 • For Crimping Tool details please refer to page no. 93



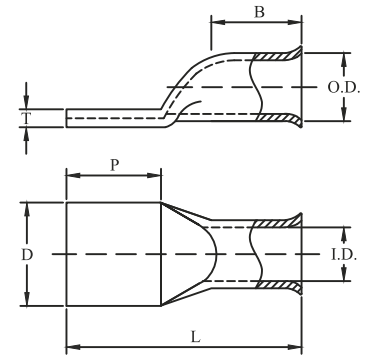
E-Code	Conductor AWG	Conductor MM ²	Bolt Size	Stud Hole ØE	Dimensions						Color Code		
					D	T	G	P	B	L			
ATS300C516IF	300 kcmil	150	5/16	0.33	1.19	0.15	0.52	1.06	1.06	2.48	White		
ATS300C38IF			3/8	0.41									
ATS300C12IF			1/2	0.51								1.38	2.80
ATS300C58IF			5/8	0.67								1.46	2.88
ATS300C34IF			3/4	0.75								0.63	1.46
ATS350C38IF	350 kcmil	185	3/8	0.41	1.28	0.17	0.52	1.06	1.10	2.60	Red		
ATS350C12IF			1/2	0.51								1.38	2.91
ATS350C58IF			5/8	0.67								1.38	2.91
ATS400C38IF	400 kcmil	-	3/8	0.41	1.39	0.18	0.52	1.46	1.18	3.11	Blue		
ATS400C12IF			1/2	0.51								1.46	3.11
ATS400C58IF			5/8	0.67								1.46	3.11
ATS500C38IF	500 kcmil	240	3/8	0.41	1.54	0.22	0.52	1.38	1.38	3.27	Brown		
ATS500C12IF			1/2	0.51								1.38	3.27
ATS500C58IF			5/8	0.67								1.46	3.35
ATS500C34IF			3/4	0.75								0.63	1.46
ATS600C12IF	600 kcmil	300	1/2	0.67	1.72	0.25	0.52	1.46	1.50	3.50	Green		
ATS600C58IF			5/8	0.51								1.46	3.50
ATS700C12IF	700 kcmil	-	1/2	0.67	1.78	0.27	0.69	1.85	1.85	4.37	Pink		
ATS700C58IF			5/8	0.51								1.85	4.37
ATS750C12IF	750 kcmil	-	1/2	0.51	1.90	0.27	0.69	1.85	1.85	4.37	Black		
ATS750C58IF			5/8	0.67								1.85	4.37
ATS750C34IF			3/4	0.75								1.85	4.37
ATS800C12IF	800 kcmil	400	1/2	0.51	1.93	0.27	0.69	1.85	1.85	4.37	Orange		
ATS800C58IF			5/8	0.67								1.85	4.37
ATS1000C12IF	1000 kcmil	500	1/2	0.51	2.18	0.33	0.69	1.85	1.91	4.43	White		
ATS1000C58IF			5/8	0.67								1.85	4.43
ATS1000C11IF			1	1.00								1.85	4.43

• For Crimping Tool details please refer to page no. 93

Copper Compression Lugs Standard Flared Barrel - 1 Hole Blank Tongue Without Inspection Window

Material : E-Copper
Finish : Electro-Tinned
Application : Up To 35 kVA
Voltage Rating : 600 Volts / 90°C

Features :
 Blank Tongue to select custom Hole sizes & Spacings
 Flared End Barrel for easy insertion of fine Stranded Flexible Cables
 • For Crimping Tool details please refer to page no. 93

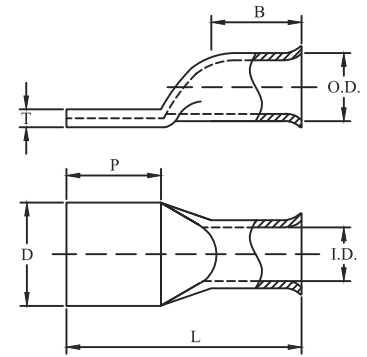


E-Code	Conductor AWG	Conductor MM ²	Bolt Size	Dimensions					Color Code		
				D	T	P	B	L			
ATS8CB14F	8 AWG	10	#10	0.42	0.08	0.59	0.49	1.20	Red		
ATS8CB516F			1/4								
ATS8CB38F			5/16	0.49	0.06	0.63					
ATS6CB14F	6 AWG	-	#10	0.42	0.08	0.67	0.71	1.50	Blue		
ATS6CB516F			1/4								
ATS6CB38F			5/16	0.49	0.07						
ATS6CB12F			3/8	0.57	0.05	0.90				1.73	
ATS4CB516F	4 AWG	-	#10	0.49	0.08	0.67	0.71	1.50	Gray		
ATS4CB38F			1/4								
ATS4CB12F			5/16	0.49	0.07						
ATS3CB14F			3/8	0.56	0.07	0.90				1.73	
ATS3CB516F	3 AWG	25	#10	0.50	0.09	0.81	0.83	1.80	White		
ATS3CB38F			1/4								
ATS3CB12F			5/16	0.55	0.08						
ATS2CB38F			3/8	0.59	0.08	0.90				1.89	
ATS2CB12F	2 AWG	35	#10	0.60	0.10	0.81	0.83	1.80	Brown		
ATS1CB38F			1/4								
ATS1CB12F			5/16	0.67	0.11					0.81	1.83
ATS10CB38F			3/8	0.71	0.10	0.90				1.92	
ATS10CB12F	1/0 AWG	-	1/4	0.74	0.13	0.81	0.83	1.83	Pink		
ATS20CB12F			5/16								
ATS30CB12F			3/8	0.74	0.13					0.90	1.92
ATS20CB12F	2/0 AWG	70	1/4	0.81	0.12	1.06	0.94	2.24	Black		
ATS30CB12F			5/16								
ATS30CB12F			3/8	0.81	0.12					1.06	0.98
ATS30CB12F			1/2	0.90	0.13	1.06				0.98	2.36
ATS30CB12F	3/0 AWG	-	1/4	0.90	0.13	1.06	0.98	2.36	Orange		
ATS30CB12F			5/16								
ATS30CB12F			3/8	0.90	0.13					1.06	0.98
ATS30CB12F	1/2	0.90	0.13	1.06	0.98	2.36					

Copper Compression Lugs Standard Flared Barrel - 1 Hole Blank Tongue Without Inspection Window

Material : E-Copper
Finish : Electro-Tinned
Application : Up To 35 kVA
Voltage Rating : 600 Volts / 90°C

Features :
 Blank Tongue to select custom Hole sizes & Spacings
 Flared End Barrel for easy insertion of fine Stranded Flexible Cables
 • For Crimping Tool details please refer to page no. 93

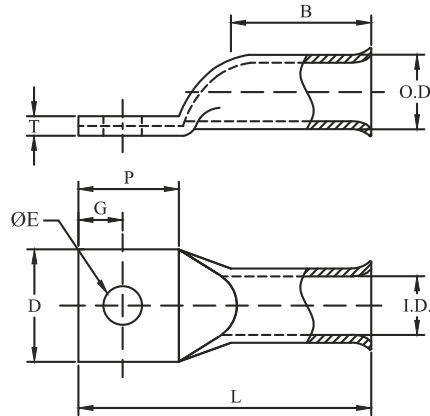


E-Code	Conductor AWG	Conductor MM ²	Bolt Size	Dimensions					Color Code
				D	T	P	B	L	
ATS40CB12F	4/0 AWG	-	1/4	1.00	0.13	1.06	0.98	2.36	Purple
			5/16						
			3/8						
			1/2						
ATS40CB34F			3/4	1.19	0.12	1.46		2.76	
ATS250CB12F	250 kcmil	-	1/4	1.09	0.15	1.06	1.06	2.48	Yellow
			5/16						
			3/8						
			1/2						
ATS300CB12F	300 kcmil	150	5/16	1.19	0.15	1.06	1.06	2.48	White
			3/8						
ATS300CB58F			1/2						
ATS300CB34F			5/8						
	3/4	1.46	2.88						
ATS350CB12F	350 kcmil	185	3/8	1.28	0.17	1.06	1.10	2.60	Red
			1/2						
ATS350CB58F			5/8						
ATS400CB58F	400 kcmil	-	3/8	1.39	0.18	1.46	1.18	3.11	Blue
			1/2						
			5/8						
ATS500CB58F	500 kcmil	240	3/8	1.54	0.22	1.38	1.38	3.27	Brown
			1/2						
ATS500CB34F			5/8						
	3/4								
ATS600CB58F	600 kcmil	300	1/2	1.72	0.25	1.46	1.50	3.50	Green
			5/8						
ATS700CB58	700 kcmil	-	1/2	1.78	0.27	1.85	1.85	4.37	Pink
			5/8						
ATS750CB34F	750 kcmil	-	1/2	1.90	0.27	1.85	1.85	4.37	Black
			5/8						
			3/4						
ATS800CB58F	800 kcmil	400	1/2	1.93	0.27	1.85	1.85	4.37	Orange
			5/8						
ATS1000CB1F	1000 kcmil	500	1/2	2.18	0.33	1.85	1.91	4.43	White
			5/8						
			1						

Copper Compression Lugs Long Flared Barrel - 1 Hole With or Without Inspection Window

Material : E-Copper
Finish : Electro-Tinned
Application : Up To 35 kVA
Voltage Rating : 600 Volts / 90°C

Features : Long Barrel for Better Mechanical & Electrical Properties
 Flared End Barrel for easy insertion of fine Stranded Flexible Cables
 • For Crimping Tool details please refer to page no. 93



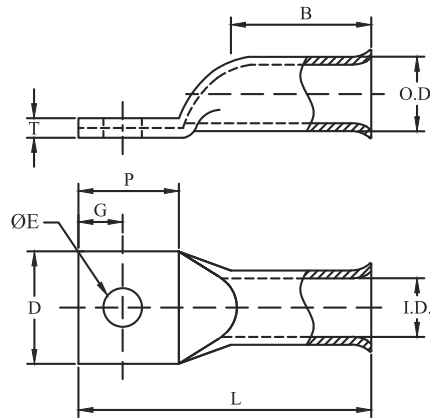
E-Code	Conductor AWG	Conductor MM ²	Bolt Size	Stud Hole ØE	Dimensions						Color Code					
					D	T	G	P	B	L						
ATL8C10F	8 AWG	10	#10	0.21	0.42	0.08	0.28	0.59	0.81	1.52	Red					
ATL8C14F			1/4	0.25												
ATL8C38F			3/8	0.41								0.57	0.05	0.31	0.67	1.59
ATL6C10F	6 AWG	-	#10	0.21	0.42	0.08	0.30	0.67	0.98	1.77	Blue					
ATL6C14F			1/4	0.25												
ATL6C516F			5/16	0.33								0.51	0.07	0.37	0.81	1.91
ATL6C38F			3/8	0.41								0.59	0.05			
ATL4C10F	4 AWG	-	#10	0.21	0.49	0.09	0.31	0.67	0.98	1.77	Gray					
ATL4C14F			1/4	0.25												
ATL4C516F			5/16	0.33								0.59	0.07	0.37	0.81	1.91
ATL4C38F			3/8	0.41												
ATL3C10F	3 AWG	25	#10	0.21	0.50	0.09	0.31	0.81	1.10	2.07	White					
ATL3C14F			1/4	0.25												
ATL3C516F			5/16	0.33												
ATL3C38F			3/8	0.41								0.59	0.08	0.37		
ATL3C12F			1/2	0.51				0.74				0.06	0.47	1.10	2.36	
ATL2C10F	2 AWG	35	#10	0.21	0.60	0.10	0.37	0.81	1.10	2.07	Brown					
ATL2C14F			1/4	0.25												
ATL2C516F			5/16	0.33												
ATL2C38F			3/8	0.41												
ATL2C12F			1/2	0.51				0.74				0.06	0.47	1.10	2.36	
ATL1C10F	1 AWG	50	#10	0.21	0.67	0.11	0.37	0.81	1.10	2.11	Green					
ATL1C14F			1/4	0.25												
ATL1C516F			5/16	0.33												
ATL1C38F			3/8	0.41								0.91	2.21			
ATL1C12F			1/2	0.51				0.74				0.06	0.47	1.10	2.40	

Note : Add Suffix "I" after E-Code for Inspection window feature

Copper Compression Lugs Long Flared Barrel - 1 Hole With or Without Inspection Window

Material : E-Copper
Finish : Electro-Tinned
Application : Up To 35 kVA
Voltage Rating : 600 Volts / 90°C

Features : Long Barrel for Better Mechanical & Electrical Properties
 Flared End Barrel for easy insertion of fine Stranded Flexible Cables
 • For Crimping Tool details please refer to page no. 93



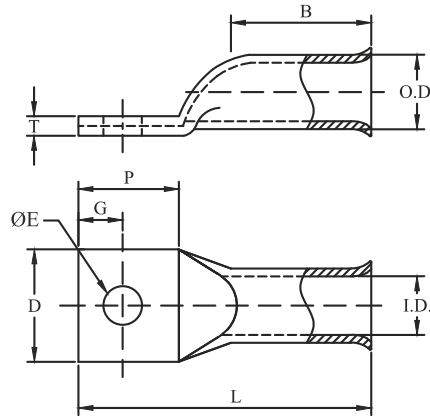
E-Code	Conductor AWG	Conductor MM ²	Bolt Size	Stud Hole ØE	Dimensions						Color Code
					D	T	G	P	B	L	
ATL10C10F	1/0 AWG	-	#10	0.21	0.74	0.13	0.37	0.81	1.20	2.21	Pink
ATL10C14F			1/4	0.25							
ATL10C516F			5/16	0.33							
ATL10C38F			3/8	0.41							
ATL10C12F			1/2	0.51							
ATL20C14F	2/0 AWG	70	1/4	0.25	0.81	0.12	0.47	1.06	1.38	2.68	Black
ATL20C516F			5/16	0.33							
ATL20C38F			3/8	0.41							
ATL20C12F			1/2	0.51							
ATL30C14F	3/0 AWG	-	1/4	0.25	0.90	0.13	0.47	1.06	1.42	2.80	Orange
ATL30C516F			5/16	0.33							
ATL30C38F			3/8	0.41							
ATL30C12F			1/2	0.51							
ATL40C14F	4/0 AWG	-	1/4	0.25	1.00	0.13	0.52	1.06	1.42	2.80	Purple
ATL40C516F			5/16	0.33							
ATL40C38F			3/8	0.41							
ATL40C12F			1/2	0.51							
ATL250C516F	250 kcmil	-	5/16	0.33	1.09	0.15	0.52	1.06	1.59	3.03	Yellow
ATL250C38F			3/8	0.41							
ATL250C12F			1/2	0.51							
ATL300C12F	300 kcmil	150	1/2	0.51	1.19	0.15	0.52	1.06	1.95	3.39	White

Note : Add Suffix "I" after E-Code for Inspection window feature

Copper Compression Lugs Long Flared Barrel - 1 Hole With or Without Inspection Window

Material : E-Copper
Finish : Electro-Tinned
Application : Up To 35 kVA
Voltage Rating : 600 Volts / 90°C

Features : Long Barrel for Better Mechanical & Electrical Properties
 Flared End Barrel for easy insertion of fine Stranded Flexible Cables
 • For Crimping Tool details please refer to page no. 93



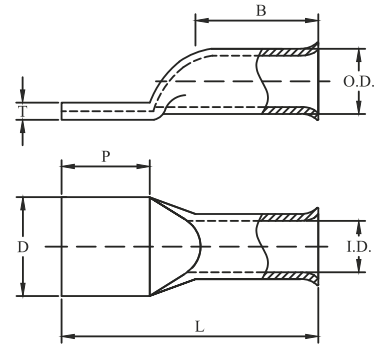
E-Code	Conductor AWG	Conductor MM ²	Bolt Size	Stud Hole ØE	Dimensions						Color Code
					D	T	G	P	B	L	
ATL350C38F	350 kcmil	185	3/8	0.41	1.28	0.17	0.51	1.06	1.97	3.46	Red
ATL350C12F			1/2	0.51							
ATL350C58F			5/8	0.67							
ATL400C38F	400 kcmil	-	3/8	0.41	1.39	0.18	0.51	1.40	1.99	3.86	Blue
ATL400C12F			1/2	0.51							
ATL400C58F			5/8	0.67							
ATL500C38F	500 kcmil	240	3/8	0.41	1.54	0.22	0.51	1.40	2.26	4.13	Brown
ATL500C12F			1/2	0.51							
ATL500C58F			5/8	0.67							
ATL600C12F	600 kcmil	300	1/2	0.51	1.72	0.25	0.69	1.50	2.26	4.25	Green
ATL600C58F			5/8	0.67							
ATL700C12F	700 kcmil	-	1/2	0.51	1.77	0.27	0.69	1.85	2.64	5.16	Pink
ATL700C58F			5/8	0.67							
ATL750C12F	750 kcmil	-	1/2	0.51	1.90	0.27	0.69	1.85	2.64	5.16	Black
ATL750C58F			5/8	0.67							
ATL800C12F	800 kcmil	400	1/2	0.51	1.93	0.27	0.69	1.85	2.64	5.16	Orange
ATL800C58F			5/8	0.67							
ATL1000C12F	1000 kcmil	500	1/2	0.51	2.18	0.33	0.69	1.85	3.15	5.67	White
ATL1000C58F			5/8	0.67							

Note : Add Suffix "I" after E-Code for Inspection window feature

Copper Compression Lugs Long Flared Barrel - Blank Tongue With or Without Inspection Window for 1 Hole

Material : E-Copper
Finish : Electro-Tinned
Application : Up To 35 kVA
Voltage Rating : 600 Volts / 90°C

Features : Long Barrel for Better Mechanical & Electrical Properties
 Blank Tongue to select custom Hole sizes & Spacings
 Flared End Barrel for easy insertion of fine Stranded Flexible Cables
 Cables
 • For Crimping Tool details please refer to page no. 93



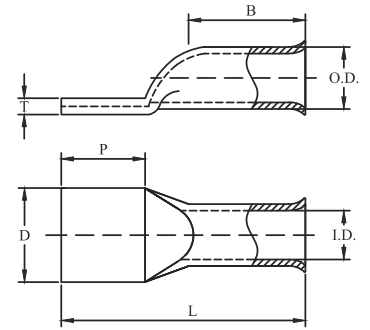
E-Code	Conductor AWG	Conductor MM ²	Bolt Size	Dimensions					Color Code
				D	T	P	B	L	
ATL8CB14F	8 AWG	10	#10	0.42	0.08	0.59	0.81	1.52	Red
ATL8CB38F			1/4						
ATL6CB14F	6 AWG	-	#10	0.42	0.08	0.67	0.98	1.77	Blue
ATL6CB516F			1/4						
ATL6CB38F			5/16	0.59	0.05	0.81		1.91	
ATL4CB516F	4 AWG	-	#10	0.49	0.09	0.67	0.98	1.77	Gray
ATL4CB38F			1/4						
ATL4CB38F			5/16	0.59	0.07	0.81		1.91	
ATL3CB516F	3 AWG	25	#10	0.50	0.09	0.81	1.10	2.07	White
ATL3CB38F			1/4						
ATL3CB12F			5/16	0.74	0.06	1.10		2.36	
ATL3CB12F			1/2	0.74	0.06	1.10		2.36	
ATL2CB38F	2 AWG	35	#10	0.60	0.10	0.81	1.10	2.07	Brown
ATL2CB12F			1/4						
ATL2CB12F			5/16	0.74	0.06	1.10		2.36	
ATL2CB12F			3/8	0.74	0.06	1.10		2.36	
ATL1CB516F	1 AWG	50	#10	0.67	0.11	0.81	1.10	2.11	Green
ATL1CB38F			1/4						
ATL1CB12			5/16	1.10	2.40				
ATL1CB12			3/8	1.10	2.40				
ATL10CB38F	1/0 AWG	-	#10	0.74	0.13	0.81	1.20	2.21	Pink
ATL10CB12F			1/4						
ATL10CB12F			5/16	1.10	2.50				
ATL10CB12F			3/8	1.10	2.50				
ATL20CB12F	2/0 AWG	70	1/4	0.81	0.12	1.06	1.38	2.68	Black
ATL20CB12F			5/16						
ATL20CB12F			3/8						
ATL20CB12F			1/2						

Note : Add Suffix "I" after E-Code for Inspection window feature

Copper Compression Lugs Long Flared Barrel - Blank Tongue With or Without Inspection Window for 1 Hole

Material : E-Copper
Finish : Electro-Tinned
Application : Up To 35 kVA
Voltage Rating : 600 Volts / 90°C

Features : Long Barrel for Better Mechanical & Electrical Properties
 Blank Tongue to select custom Hole sizes & Spacings
 Flared End Barrel for easy insertion of fine Stranded Flexible Cables
 • For Crimping Tool details please refer to page no. 93



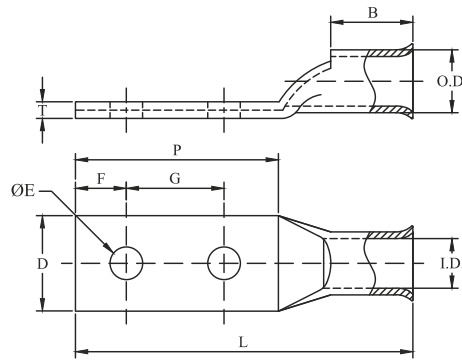
E-Code	Conductor AWG	Conductor MM ²	Bolt Size	Dimensions					Color Code
				D	T	P	B	L	
ATL30CB12F	3/0 AWG	-	1/4	0.90	0.13	1.06	1.42	2.80	Orange
			5/16						
			3/8						
			1/2						
ATL40CB12F	4/0 AWG	-	1/4	1.00	0.13	1.06	1.42	2.80	Purple
			5/16						
			3/8						
			1/2						
ATL250CB12F	250 kcmil	-	5/16	1.09	0.15	1.06	1.59	3.03	Yellow
			3/8						
			1/2						
ATL300CB12F	300 kcmil	150	1/2	1.19	0.15	1.06	1.95	3.39	White
ATL350CB58F	350 kcmil	185	3/8	1.28	0.17	1.06	1.97	3.46	Red
			1/2						
			5/8						
ATL400CB58F	400 kcmil	-	3/8	1.39	0.18	1.40	1.99	3.86	Blue
			1/2						
			5/8						
ATL500CB58F	500 kcmil	240	3/8	1.54	0.22	1.40	2.26	4.13	Brown
			1/2						
			5/8						
ATL600CB58F	600 kcmil	300	1/2	1.72	0.25	1.50	2.26	4.25	Green
			5/8						
ATL700CB58F	700 kcmil	-	1/2	1.77	0.27	1.85	2.64	5.16	Pink
			5/8						
ATL750CB58F	750 kcmil	-	1/2	1.90	0.27	1.85	2.64	5.16	Black
			5/8						
ATL800CB58F	800 kcmil	400	1/2	1.93	0.27	1.85	2.64	5.16	Orange
			5/8						
ATL1000CB58F	1000 kcmil	500	1/2	2.18	0.33	1.85	3.15	5.67	White
			5/8						

Note : Add Suffix "I" after E-Code for Inspection window feature

Copper Compression Lugs Standard Flared Barrel - 2 Hole with Inspection Window

Material : E-Copper
Finish : Electro-Tinned
Application : Up To 35 kVA
Voltage Rating : 600 Volts / 90°C

Features :
 Two Mounting Holes for Better Secureness
 Flared End Barrel for easy insertion of fine Stranded Flexible Cables
 Cables
 • For Crimping Tool details please refer to page no. 93

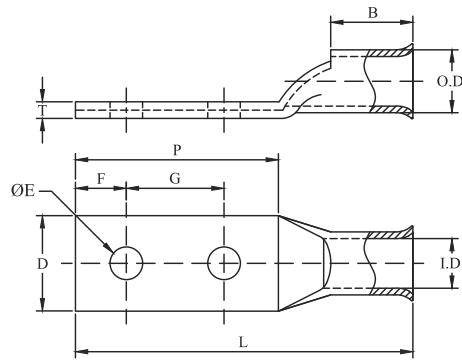


E-Code	Conductor AWG	Conductor MM ²	Bolt Size	Stud Hole ØE	Stud Hole Spacing	Dimensions							Color Code			
						G	D	T	F	P	B	L				
ATS8C10G58IF	8 AWG	10	#10	0.21	5/8	0.42	0.08	0.28	1.26	0.44	1.82	Red				
ATS8C10G34IF			3/4		0.75				1.38		1.94					
ATS8C14G58IF			1/4	0.25	5/8	1.00	0.38	1.81	1.26	1.82						
ATS8C14G34IF					3/4				0.75	1.38	1.94					
ATS8C14G11IF			1/4	0.41	1	1.00	0.56	0.05	0.38	1.81	0.71		2.37	Blue		
ATS8C38G11IF					1					1.00			0.38		1.81	2.64
ATS6C10G12IF					6 AWG					-			#10		0.21	1/2
ATS6C10G58IF	5/8	0.63	1.26	2.09												
ATS6C10G34IF	3/4	0.75	1.38	2.20												
ATS6C14G12IF	1/4	0.25	1/2	1.00		0.38	1.81	1.14	1.97							
ATS6C14G58IF			5/8					0.63	1.26		2.09					
ATS6C14G11IF	1/4	0.41	1	1.00		0.57	0.06	0.38	1.81		0.75	2.64	Gray			
ATS6C38G11IF			1						1.00			0.38		1.81	2.64	
ATS6C12G134IF	4 AWG	-	1/2	0.51		1-3/4	1.75	0.74	0.04		0.62	2.99	3.82	Gray		
ATS4C14G58IF			1/4	0.25	5/8	1.00	0.55	0.08	0.38	1.26	0.75	2.09				
ATS4C14G34IF					3/4					0.75		0.49	0.09		1.38	2.20
ATS4C14G11IF			1/4	0.33	1	1.00	0.55	0.08	0.38	1.81	0.83	2.68	White			
ATS4C516G11IF					1					1.00		0.55			0.08	0.38
ATS4C38G11IF			3/8	0.41	1	1.00	0.57	0.07	0.38	1.81	2.80					
ATS4C12G134IF	3 AWG	25	1/2	0.51	1-3/4	1.75	0.74	0.04	0.62	2.99	3.82	White				
ATS3C14G58IF			1/4	0.25	5/8	1.00	0.50	0.09	0.28	1.26	0.83		2.24			
ATS3C14G11IF					1					1.00			0.38	1.81	2.80	
ATS3C516G58IF			5/16	0.33	5/8	1.00	0.55	0.08	0.32	1.49	0.83		2.48			
ATS3C516G34IF					3/4					0.75			0.55	0.08	0.32	1.61
ATS3C38G11IF	3/8	0.41	1	1.00	0.59	0.07	0.38	1.81	2.80							

Copper Compression Lugs Standard Flared Barrel - 2 Hole with Inspection Window

Material : E-Copper
Finish : Electro-Tinned
Application : Up To 35 kVA
Voltage Rating : 600 Volts / 90°C

Features :
 Two Mounting Holes for Better Secureness
 Flared End Barrel for easy insertion of fine Stranded Flexible Cables
 • For Crimping Tool details please refer to page no. 93

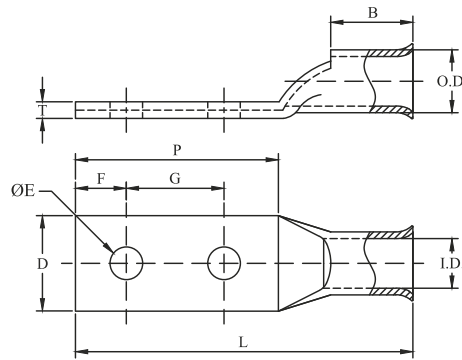


E-Code	Conductor AWG	Conductor MM ²	Bolt Size	Stud Hole ØE	Stud Hole Spacing	Dimensions							Color Code					
						G	D	T	F	P	B	L						
ATS2C14G58IF	2 AWG	35	1/4	0.25	5/8	0.60	0.10	0.28	1.26	0.83	2.24	Brown						
ATS2C14G34IF			1/4		3/4								0.75	1.38	2.36			
ATS2C14G11F			1/4		1								1.00			1.81	2.80	
ATS2C516G34IF			5/16	0.33	3/4								0.75	0.32	1.61			2.60
ATS2C516G11F			5/16		1											1.00	0.38	
ATS2C38G11F			3/8	0.41	1								1.00	0.38	1.81			2.80
ATS2C12G134IF			1/2	0.51	1-3/4											1.75	0.74	
ATS1C14G58IF	1 AWG	50	1/4	0.25	5/8	0.67	0.11	0.28	1.26	0.83	2.28	Green						
ATS1C14G34IF			1/4		3/4								0.75	1.38	2.40			
ATS1C516G78IF			5/16		0.33								7/8			0.88	0.32	1.61
ATS1C516G11F			5/16	1									1.00	0.38	1.81			
ATS1C38G11F			3/8	0.41	1											1.00	0.38	1.81
ATS1C12G134IF			1/2	0.51	1-3/4								1.75	0.74	0.09			
ATS10C14G58IF			1/0 AWG	-	1/4								0.25	5/8	0.74	0.13	0.28	1.26
ATS10C14G34IF	1/4	3/4			0.75	1.38	2.40											
ATS10C14G11F	1/4	1			1.00			1.81	2.84									
ATS10C516G78IF	5/16	0.33			7/8	0.88	0.32			1.61	2.64							
ATS10C38G11F	3/8				0.41			1	1.00			0.38	1.81	2.84				
ATS10C12G134IF	1/2	0.51			1 3/4	1.75	0.62	2.99		4.02								
ATS20C14G58IF	2/0 AWG	70			1/4	0.25	5/8	0.81	0.12	0.28	1.26	0.94	2.44	Black				
ATS20C14G34IF			1/4	3/4	0.75		1.38								2.56			
ATS20C14G11F			1/4	1	1.00											1.81	2.99	
ATS20C516G78IF			5/16	0.33	7/8	0.87	0.32								1.61			2.79
ATS20C38G11F			3/8		0.41											1	1.00	
ATS20C12G134IF			1/2	0.51	1-3/4	1.75	0.62								2.99	4.17		
ATS30C14G34IF			3/0 AWG	-	1/4	0.25	3/4								0.90	0.13	0.28	1.38
ATS30C516G11F	5/16	0.33			1	1.00	0.38	1.81	3.11									
ATS30C38G11F	3/8	0.41			1					1.00	0.62	2.99	4.29					
ATS30C12G134IF	1/2	0.51			1-3/4	1.75	0.62	2.99	4.29									

Copper Compression Lugs Standard Flared Barrel - 2 Hole with Inspection Window

Material : E-Copper
Finish : Electro-Tinned
Application : Up To 35 kVA
Voltage Rating : 600 Volts / 90°C

Features :
 Two Mounting Holes for Better Secureness
 Flared End Barrel for easy insertion of fine Stranded Flexible Cables
 Cables
 • For Crimping Tool details please refer to page no. 93

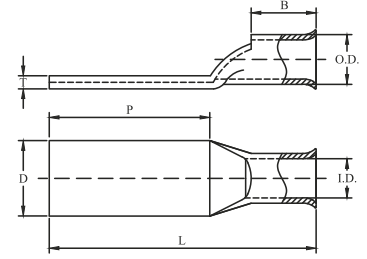


E-Code	Conductor AWG	Conductor MM ²	Bolt Size	Stud Hole ØE	Stud Hole Spacing	Dimensions						Color Code	
						G	D	T	F	P	B		L
ATS40C14G58IF	4/0 AWG	-	1/4	0.25	5/8	0.63	1.00	0.13	0.28	1.26	0.98	2.56	Purple
ATS40C14G34IF			3/4		1.38					2.68			
ATS40C516G11IF			5/16	0.33	1	1.00			0.38	1.81	3.11		
ATS40C38G11IF			3/8	0.41	1								
ATS40C12G134IF			1/2	0.51	1 3/4	1.75			0.62	2.99	4.29		
ATS250C38G11IF	250 kcmil	-	3/8	0.41	1	1.00	1.09	0.15	0.38	1.81	1.06	3.23	Yellow
ATS250C38G134IF			1-3/4		1.75				0.62	2.99		4.41	
ATS250C12G134IF			1/2	0.51	1-3/4				1.75	0.62	2.99	4.41	
ATS300C38G11IF	300 kcmil	150	3/8	0.41	1	1.00	1.19	0.15	0.38	1.81	1.06	3.23	White
ATS300C12G134IF			1-3/4		1.75				0.62	2.99		4.41	
ATS350C38G11IF	350 kcmil	185	3/8	0.41	1	1.00	1.28	0.17	0.38	1.81	1.10	3.35	Red
ATS350C12G134IF			1-3/4		1.75				0.62	2.99		4.53	
ATS400C38G11IF	400 kcmil	-	3/8	0.41	1	1.00	1.39	0.18	0.38	1.81	1.18	3.51	Blue
ATS400C12G134IF			1-3/4		1.75				0.62	2.99		4.69	
ATS500C14G34IF	500 kcmil	240	1/4	0.25	3/4	0.75	1.54	0.22	0.28	1.38	1.38	3.27	Brown
ATS500C38G11IF			1		1.00				0.38	1.81		3.70	
ATS500C12G134IF			1-3/4	1.75	0.62				2.99	4.88			
ATS600C38G11IF	600 kcmil	300	3/8	0.41	1	1.00	1.72	0.25	0.38	1.81	1.50	3.86	Green
ATS600C38G134IF			1-3/4		1.75				0.62	2.99		5.04	
ATS600C12G134IF			1-3/4	1.75	0.62				2.99	5.04			
ATS700C38G11IF	700 kcmil	-	3/8	0.41	1	1.00	1.78	0.27	0.38	1.81	1.85	4.33	Pink
ATS700C12G134IF			1-3/4		1.75				0.62	2.99		5.51	
ATS700C58G134IF			5/8	0.67	1-3/4				1.75	0.62	2.99	5.51	
ATS750C38G11IF	750 kcmil	-	3/8	0.41	1	1.00	1.90	0.27	0.38	1.81	1.85	4.33	Black
ATS750C12G134IF			1-3/4		1.75				0.62	2.99		5.51	
ATS750C58G134IF			5/8	0.67	1-3/4				1.75	0.62	2.99	5.51	
ATS800C12G134IF	800 kcmil	400	1/2	0.51	1-3/4	1.75	1.93	0.27	0.62	2.99	1.85	5.51	Orange
ATS800C58G134IF			5/8		0.67				1-3/4	1.75		0.62	
ATS1000C12G134IF	1000 kcmil	500	1/2	0.51	1-3/4	1.75	2.19	0.32	0.62	2.99	1.91	5.57	White
ATS1000C58G134IF			5/8		0.67				1-3/4	1.75		0.62	

Copper Compression Lugs Standard Flared Barrel - 2 Hole Blank Tongue with Inspection Window

Material : E-Copper
Finish : Electro-Tinned
Application : Up To 35 kVA
Voltage Rating : 600 Volts / 90°C

Features :
 Blank Tongue to select custom Hole sizes & Spacings
 Flared End Barrel for easy insertion of fine Stranded Flexible Cables
 • For Crimping Tool details please refer to page no. 93

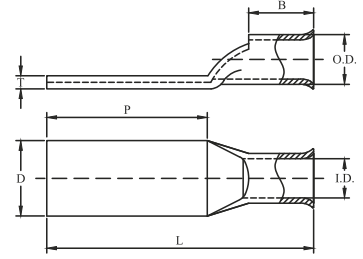


E-Code	Conductor AWG	Conductor MM ²	Bolt Size	Dimensions					Color Code
				D	T	P	B	L	
ATS8CB14G58IF	8 AWG	10	#10	0.42	0.08	1.26	0.44	1.82	Red
ATS8CB14G34IF			#10			1.38		1.94	
ATS8CB14G58IF			1/4			1.26		1.82	
ATS8CB14G34IF			1/4			1.38		1.94	
ATS8CB14G11IF			1/4			1.81		2.37	
ATS8CB38G11IF			3/8	0.56	0.05	1.81	2.37		
ATS6CB14G121FF	6 AWG	-	#10	0.42	0.08	1.14	0.71	1.97	Blue
ATS6CB14G58IF			#10			1.26		2.09	
ATS6CB10G34IF			#10			1.38		2.20	
ATS6CB14G121F			1/4			1.14		1.97	
ATS6CB14G58IF			1/4			1.26		2.09	
ATS6CB14G11IF			1/4	1.81	2.64				
ATS6CB38G11IF			3/8	0.57	0.06	1.81		2.64	
ATS6CB12G134IF			1/2	0.74	0.04	2.99		3.82	
ATS4CB14G58IF	4 AWG	-	1/4	0.49	0.09	1.26	0.75	2.09	Gray
ATS4CB14G34IF			1/4			1.38		2.20	
ATS4CB14G11IF			1/4	1.81	2.68				
ATS4CB516G11IF			5/16	0.55	0.08	1.81		2.68	
ATS4CB38G11IF			3/8	0.57	0.07	1.81		2.68	
ATS4CB12G134IF			1/2	0.74	0.04	2.99		3.82	
ATS3CB14G58IF	3 AWG	25	1/4	0.50	0.09	1.26	0.83	2.24	White
ATS3CB14G11IF			1/4			1.81		2.80	
ATS3CB516G58IF			5/16	0.55	0.08	1.49		2.48	
ATS3CB516G34IF			5/16	0.55	0.08	1.61		2.60	
ATS3CB38G11IF			3/8	0.59	0.07	1.81		2.80	
ATS2CB14G58IF	2 AWG	35	1/4	0.60	0.10	1.26	0.83	2.24	Brown
ATS2CB14G34IF			1/4			1.38		2.36	
ATS2CB38G11IF			1/4			1.81		2.80	
ATS2CB516G34IF			5/16			1.61		2.60	
ATS2CB38G11IF			5/16			1.81		2.80	
ATS2CB38G11IF			3/8	1.81	2.80				
ATS2CB12G134IF			1/2	0.74	0.08	2.99		3.98	
ATS1CB14G58IF	1 AWG	50	1/4	0.67	0.11	1.26	0.83	2.28	Green
ATS1CB14G34IF			1/4			1.38		2.40	
ATS1CB516G78IF			5/16			1.61		2.63	
ATS1CB38G11IF			5/16			1.81		2.83	
ATS1CB38G11IF			3/8			1.81		2.83	
ATS1CB12G134IF			1/2	0.74	0.09	2.99		4.01	

Copper Compression Lugs Standard Flared Barrel - 2 Hole Blank Tongue with Inspection Window

Material : E-Copper
Finish : Electro-Tinned
Application : Up To 35 kVA
Voltage Rating : 600 Volts / 90°C

Features :
 Blank Tongue to select custom Hole sizes & Spacings
 Flared End Barrel for easy insertion of fine Stranded Flexible Cables
 • For Crimping Tool details please refer to page no. 93

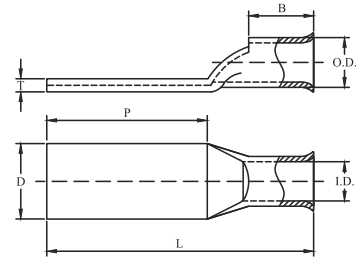


E-Code	Conductor AWG	Conductor MM ²	Bolt Size	Dimensions					Color Code
				D	T	P	B	L	
ATS10CB14G58IF	1/0 AWG	-	1/4	0.74	0.13	1.26	0.83	2.28	Pink
ATS10CB14G34IF			1/4			1.38		2.40	
ATS10CB38G1IF			1/4			1.81		2.84	
ATS10CB516G78IF			5/16			1.61		2.64	
ATS10CB38G1IF			3/8			1.81		2.84	
ATS10CB12G134IF			1/2			2.99		4.02	
ATS20CB14G58IF	2/0 AWG	70	1/4	0.81	0.12	1.26	0.94	2.44	Black
ATS20CB14G34IF			1/4			1.38		2.56	
ATS20CB38G1IF			1/4			1.81		2.99	
ATS20CB516G78IF			5/16			1.61		2.79	
ATS20CB38G1IF			3/8			1.81		2.99	
ATS20CB12G134IF			1/2			2.99		4.17	
ATS30CB14G34IF	3/0 AWG	-	1/4	0.90	0.13	1.38	0.98	2.68	Orange
ATS30CB38G1IF			5/16			1.81		3.11	
ATS30CB12G134IF			3/8			2.99		4.29	
ATS30CB12G134IF			1/2			2.99		4.29	
ATS40CB14G58IF	4/0 AWG	-	1/4	1.00	0.13	1.26	0.98	2.56	Purple
ATS40CB14G34IF			1/4			1.38		2.68	
ATS40CB38G1IF			5/16			1.81		3.11	
ATS40CB12G134IF			3/8			2.99		4.29	
ATS40CB12G134IF			1/2			2.99		4.29	
ATS250CB38G1IF	250 kcmil	-	3/8	1.09	0.15	1.81	1.06	3.23	Yellow
ATS250CB12G134IF			3/8			2.99		4.41	
ATS250CB12G134IF			1/2			2.99		4.41	
ATS300CB38G1IF	300 kcmil	150	3/8	1.19	0.15	1.81	1.06	3.23	White
ATS300CB12G134IF			1/2			2.99		4.41	
ATS350CB38G1IF	350 kcmil	185	3/8	1.28	0.17	1.81	1.10	3.35	Red
ATS350CB12G134IF			1/2			2.99		4.53	
ATS400CB38G1IF	400 kcmil	-	3/8	1.39	0.18	1.81	1.18	3.51	Blue
ATS400CB12G134IF			1/2			2.99		4.69	
ATS500CB14G34IF	500 kcmil	240	1/4	1.54	0.22	1.38	1.38	3.27	Brown
ATS500CB38G1IF			3/8			1.81		3.70	
ATS500CB12G134IF			1/2			2.99		4.88	
ATS600CB38G1IF	600 kcmil	300	3/8	1.72	0.25	1.81	1.50	3.86	Green
ATS600CB12G134IF			3/8			2.99		5.04	
ATS600CB12G134IF			1/2			2.99		5.04	

Copper Compression Lugs Standard Flared Barrel - 2 Hole Blank Tongue with Inspection Window

Material : E-Copper
Finish : Electro-Tinned
Application : Up To 35 kVA
Voltage Rating : 600 Volts / 90°C

Features :
 Blank Tongue to select custom Hole sizes & Spacings
 Flared End Barrel for easy insertion of fine Stranded Flexible Cables
 • For Crimping Tool details please refer to page no. 93

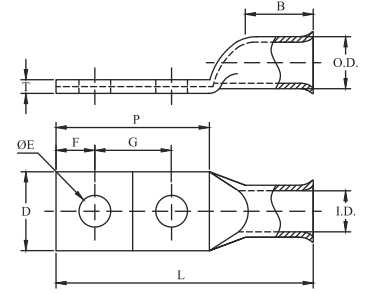


E-Code	Conductor AWG	Conductor MM ²	Bolt Size	Dimensions					Color Code
				D	T	P	B	L	
ATS700CB38G1IF	700 kcmil	-	3/8	1.78	0.27	1.81	1.85	4.33	Pink
ATS700CB58G134IF			1/2			2.99		5.51	
			5/8						
ATS750CB38G1IF	750 kcmil	-	3/8	1.90	0.27	1.81	1.85	4.33	Black
ATS750CB58G134IF			1/2			2.99		5.51	
			5/8						
ATS800CB58G134IF	800 kcmil	400	1/2	1.93	0.27	2.99	1.85	5.51	Orange
			5/8						
ATS1000CB58G134IF	1000 kcmil	500	1/2	2.19	0.32	2.99	1.91	5.57	White
			5/8						

Copper Compression Lugs Standard Flared Barrel - 2 Hole Tongue Break Away Feature Without Inspection Window

Material : E-Copper
Finish : Electro-Tinned
Application : Up To 35 kVA
Voltage Rating : 600 Volts / 90°C

Features : Two Mounting Holes for Better Secureness
 Break Away feature to allow field modification of the Lug from 2 Hole to 1 Hole
 Flared End Barrel for easy insertion of fine Stranded Flexible Cables
 • For Crimping Tool details please refer to page no. 93

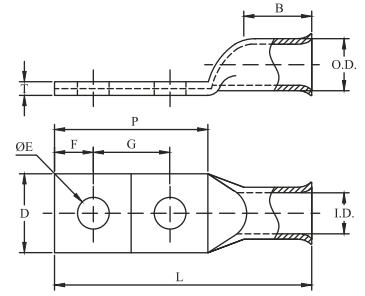


E-Code	Conductor AWG	Conductor MM ²	Bolt Size	Stud Hole ØE	Stud Hole Spacing	Dimensions							Color Code		
						G	D	T	F	P	B	L			
ATSB8C10G58F	8 AWG	10	#10	0.21	5/8	0.63	0.42	0.08	0.28	1.26	0.44	1.82	Red		
1/4			0.25	5/8	2.37										
3/8			0.41	1	1.00							0.56		0.05	0.38
ATSB6C10G34F	6 AWG	-	#10	0.21	3/4	0.75	0.42	0.08	0.28	1.38	0.71	2.20	Blue		
1/4			0.25	5/8	0.63	1.26						2.09			
1/4				1	1.00	0.38						1.81		2.64	
3/8			0.41	1	0.57	0.06						0.38		1.81	2.64
ATSB4C14G58F	4 AWG	-	1/4	0.25	5/8	0.63	0.49	0.09	0.28	1.26	0.75	2.09	Gray		
1/4				1	1.00	0.38						1.81		2.68	
5/16			0.33	1	1.00	0.55						0.38		1.81	2.68
3/8			0.41	1	0.57	0.07						0.38		1.81	2.68
ATSB3C14G58F	3 AWG	25	1/4	0.25	5/8	0.63	0.55	0.09	0.28	1.26	0.83	2.24	White		
1/4				1	1.00	0.50						0.38		1.81	2.80
5/16			0.33	3/4	0.75	0.55						0.32		1.61	2.60
3/8			0.41	1	1.00	0.59						0.08		0.38	1.81
ATSB2C14G58F	2 AWG	35	1/4	0.25	5/8	0.63	0.60	0.10	0.28	1.26	0.83	2.24	Brown		
1/4			3/4		0.75	1.38						2.36			
1/4				1	1.00	0.38						1.81		2.80	
5/16			0.33	3/4	0.75	0.32						1.61		2.60	
3/8			0.41	1	1.00	0.38						1.81		2.80	
1/2			0.51	1 3/4	1.75	0.74						0.08		0.62	2.99
ATSB1C14G58F	1 AWG	50	1/4	0.25	5/8	0.63	0.67	0.11	0.28	1.26	0.83	2.28	Green		
5/16			0.33	1	1.00	0.38						1.81		2.83	
3/8			0.41	1	0.38	1.81						2.83			
ATSB10C14G34F	1/0 AWG	-	1/4	0.25	3/4	0.75	0.74	0.13	0.28	1.38	0.83	2.40	Pink		
5/16			0.33	7/8	0.87	0.32						1.61		2.64	
3/8			0.41	1	1.00	0.38						1.81		2.83	
1/2			0.51	1 3/4	1.75	0.62						2.99		4.02	
ATSB20C14G34F	2/0 AWG	70	1/4	0.25	3/4	0.75	0.81	0.12	0.28	1.38	0.94	2.56	Black		
5/16			0.33	7/8	0.87	0.32						1.61		2.80	
3/8			0.41	1	1.00	0.38						1.81		2.99	
1/2			0.51	1 3/4	1.75	0.62						2.99		4.17	
ATSB30C516G1F	3/0 AWG	-	5/16	0.33	1	1.00	0.90	0.13	0.38	1.81	0.98	3.11	Orange		
3/8			0.41	1	0.62	2.99						4.29			
1/2			0.51	1 3/4	1.75	0.62						2.99		4.29	
ATSB40C14G58F	4/0 AWG	-	1/4	0.25	5/8	0.63	1.00	0.13	0.28	1.26	0.98	2.56	Purple		
5/16			0.33	1	1.00	0.38						1.81		3.11	
3/8			0.41	1	1.00	0.38						1.81		3.11	
1/2			0.51	1 3/4	1.75	0.62						2.99		4.29	

Copper Compression Lugs Standard Flared Barrel - 2 Hole Tongue Break Away Feature Without Inspection Window

Material : E-Copper
Finish : Electro-Tinned
Application : Up To 35 kVA
Voltage Rating : 600 Volts / 90°C

Features : Two Mounting Holes for Better Secureness
 Break Away feature to allow field modification of the Lug from 2 Hole to 1 Hole
 Flared End Barrel for easy insertion of fine Stranded Flexible Cables
 • For Crimping Tool details please refer to page no. 93



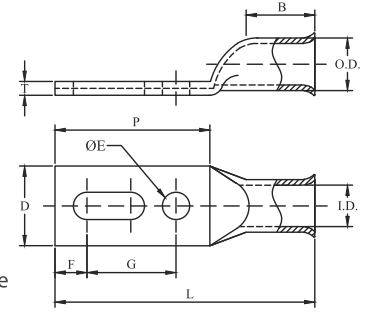
E-Code	Conductor AWG	Conductor MM ²	Bolt Size	Stud Hole ØE	Stud Hole Spacing	Dimensions							Color Code
						G	D	T	F	P	B	L	
ATSB250C38G1F	250 kcmil	-	3/8	0.41	1	1.00	1.09	0.15	0.38	1.81	1.06	3.23	Yellow
ATSB250C38G134F			3/8		1 3/4	0.62			2.99	4.41			
ATSB250C12G134F			1/2	0.51	1 3/4	1.75	0.62	2.99	1.06	4.41			
ATSB300C12G134F	300 kcmil	150	1/2	0.51	1 3/4	1.75	1.19	0.15	0.62	2.99	1.06	4.41	White
ATSB350C38G1F	350 kcmil	185	3/8	0.41	1	1.00	1.28	0.17	0.38	1.81	1.10	3.35	Red
ATSB350C12G134F			1/2	0.51	1 3/4	1.75			0.62	2.99		4.53	
ATSB400C12G134F	400 kcmil	-	1/2	0.51	1 3/4	1.75	1.39	0.18	0.62	2.99	1.18	4.69	Blue
ATSB500C38G1F	500 kcmil	240	3/8	0.41	1	1.00	1.54	0.22	0.38	1.81	1.38	3.70	Brown
ATSB500C12G134F			1/2	0.51	1 3/4	1.75			0.62	2.99		4.88	
ATSB600C38G134F	600 kcmil	300	3/8	0.41	1 3/4	1.75	1.72	0.25	0.62	2.99	1.50	5.04	Green
ATSB600C12G134F			1/2	0.51	1 3/4								
ATSB700C12G134F	700 kcmil	-	1/2	0.51	1 3/4	1.75	1.78	0.27	0.62	2.99	1.85	5.51	Pink
ATSB700C58G134F			5/8	0.67	1 3/4								
ATSB750C12G134F	750 kcmil	-	1/2	0.51	1 3/4	1.75	1.90	0.27	0.62	2.99	1.85	5.51	Black
ATSB750C58G134F			5/8	0.67	1 3/4								
ATSB800C12G134F	800 kcmil	400	1/2	0.51	1 3/4	1.75	1.93	0.27	0.62	2.99	1.85	5.51	Orange
ATSB800C58G134F			5/8	0.67	1 3/4								
ATSB1000C12G134F	1000 kcmil	500	1/2	0.51	1 3/4	1.75	2.19	0.32	0.62	2.99	1.91	5.57	White
ATSB1000C58G134F			5/8	0.67	1 3/4								

Copper Compression Lugs Standard Flared Barrel - 2 Hole Slotted Tongue Without Inspection Window

Material : E-Copper
Finish : Electro-Tinned
Application : Up To 35 kVA
Voltage Rating : 600 Volts / 90°C

Features : Two Mounting Holes for Better Secureness
 Slotted Hole provides range for different Hole Spacings
 Flared End Barrel for easy insertion of fine Stranded Flexible Cables

• For Crimping Tool details please refer to page no. 93



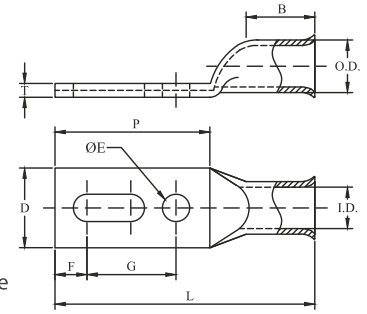
E-Code	Conductor AWG	Conductor MM ²	Bolt Size	Stud Hole ØE	Stud Hole Spacing	Dimensions							Color Code					
						G	D	T	F	P	B	L						
ATSS8C10G58F	8 AWG	10	#10	0.21	5/8	0.63	0.42	0.08	0.28	1.26	0.44	1.82	Red					
ATSS8C14G58F			1/4	0.25	5/8													
ATSS8C38G1F			3/8	0.41	1									1.00	0.56	0.05	0.38	1.81
ATSS6C10G34F	6 AWG	-	#10	0.21	3/4	0.75	0.42	0.08	0.28	1.38	0.71	2.20	Blue					
ATSS6C14G58F			1/4	0.25	5/8	0.63								1.26	2.09			
ATSS6C14G1F			1/4		1	1.00								0.38	1.81	2.64		
ATSS6C38G1F			3/8	0.41	1	1.00								0.57	0.06	0.38	1.81	2.64
ATSS4C14G58F	4 AWG	-	1/4	0.25	5/8	0.63	0.49	0.09	0.28	1.26	0.75	2.09	Gray					
ATSS4C14G1F			1/4		1	1.00								0.38	1.81	2.68		
ATSS4C516G1F			5/16	0.33	1	1.00								0.55		0.38	1.81	2.68
ATSS4C38G1F			3/8	0.41	1	1.00								0.57	0.07	0.38	1.81	2.68
ATSS3C14G58F	3 AWG	25	1/4	0.25	5/8	0.63	0.55	0.09	0.28	1.26	0.83	2.24	White					
ATSS3C14G1F			1/4		1	1.00								0.50	0.38	1.81	2.80	
ATSS3C516G34F			5/16	0.33	3/4	0.75								0.55	0.32	1.61	2.60	
ATSS3C38G1F			3/8	0.41	1	1.00								0.59	0.08	0.38	1.81	2.80
ATSS2C14G58F	2 AWG	35	1/4	0.25	5/8	0.63	0.60	0.10	0.28	1.26	0.83	2.24	Brown					
ATSS2C14G34F			3/4		0.75	1.38								2.36				
ATSS2C14G1F			1		1.00	1.81								2.80				
ATSS2C516G34F			5/16	0.33	3/4	0.75								0.32	1.61	2.60		
ATSS2C38G1F			3/8	0.41	1	1.00								0.38	1.81	2.80		
ATSS2C12G134F			1/2	0.51	1 3/4	1.75								0.74	0.08	0.62	2.99	3.98
ATSS1C14G58F	1 AWG	50	1/4	0.25	5/8	0.63	0.67	0.11	0.28	1.26	0.83	2.28	Green					
ATSS1C516G1F			5/16	0.33	1	1.00								0.38	1.81	2.83		
ATSS1C38G1F			3/8	0.41	1	1.00								0.38	1.81	2.83		
ATSS10C14G34F	1/0 AWG	-	1/4	0.25	3/4	0.75	0.74	0.13	0.28	1.38	0.83	2.40	Pink					
ATSS10C516G78F			5/16	0.33	7/8	0.87								0.32	1.61	2.64		
ATSS10C38G1F			3/8	0.41	1	1.00								0.38	1.81	2.83		
ATSS10C12G134F			1/2	0.51	1 3/4	1.75								0.62	2.99	4.02		
ATSS20C14G34F	2/0 AWG	70	1/4	0.25	3/4	0.75	0.81	0.12	0.28	1.38	0.94	2.56	Black					
ATSS20C516G78F			5/16	0.33	7/8	0.87								0.32	1.61	2.80		
ATSS20C38G1F			3/8	0.41	1	1.00								0.38	1.81	2.99		
ATSS20C12G134F			1/2	0.51	1 3/4	1.75								0.62	2.99	4.17		
ATSS30C516G1F	3/0 AWG	-	5/16	0.33	1	1.00	0.90	0.13	0.38	1.81	0.98	3.11	Orange					
ATSS30C38G1F			3/8	0.41	1	1.00								0.62	2.99	4.29		
ATSS30C12G134F			1/2	0.51	1 3/4	1.75								0.62	2.99	4.29		
ATSS40C14G58F	4/0 AWG	-	1/4	0.25	5/8	0.63	1.00	0.13	0.28	1.26	0.98	2.56	Purple					
ATSS40C516G1F			5/16	0.33	1	1.00								0.38	1.81	3.11		
ATSS40C38G1F			3/8	0.41	1	1.00								0.38	1.81	3.11		
ATSS40C12G134F			1/2	0.51	1 3/4	1.75								0.62	2.99	4.29		

Copper Compression Lugs Standard Flared Barrel - 2 Hole Slotted Tongue Without Inspection Window

Material : E-Copper
Finish : Electro-Tinned
Application : Up To 35 kVA
Voltage Rating : 600 Volts / 90°C

Features : Two Mounting Holes for Better Secureness
 Slotted Hole provides range for different Hole Spacings
 Flared End Barrel for easy insertion of fine Stranded Flexible Cables

• For Crimping Tool details please refer to page no. 93

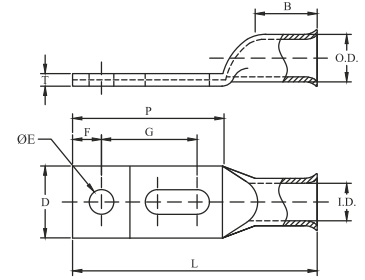


E-Code	Conductor AWG	Conductor MM ²	Bolt Size	Stud Hole ØE	Stud Hole Spacing	Dimensions						Color Code	
						G	D	T	F	P	B		L
ATSS250C38G1F	250 kcmil	-	3/8	0.41	1	1.00	1.09	0.15	0.38	1.81	1.06	3.23	Yellow
ATSS250C38G134F			3/8		1 3/4	0.62			2.99	4.41			
ATSS250C12G134F			1/2	1 3/4	1.75	2.99			4.41				
ATSS300C12G134F	300 kcmil	150	1/2	0.51	1 3/4	1.75	1.19	0.15	0.62	2.99	1.06	4.41	White
ATSS350C38G1F	350 kcmil	185	3/8	0.41	1	1.00	1.28	0.17	0.38	1.81	1.10	3.35	Red
ATSS350C12G134F			1/2	0.51	1 3/4	1.75			0.62	2.99		4.53	
ATSS400C12G134F	400 kcmil	-	1/2	0.51	1 3/4	1.75	1.39	0.18	0.62	2.99	1.18	4.69	Blue
ATSS500C38G1F	500 kcmil	240	3/8	0.41	1	1.00	1.54	0.22	0.38	1.81	1.38	3.70	Brown
ATSS500C12G134F			1/2	0.51	1 3/4	1.75			0.62	2.99		4.88	
ATSS600C38G134F	600 kcmil	300	3/8	0.41	1 3/4	1.75	1.72	0.25	0.62	2.99	1.50	5.04	Green
ATSS600C12G134F			1/2	0.51	1 3/4								
ATSS700C12G134F	700 kcmil	-	1/2	0.51	1 3/4	1.75	1.78	0.27	0.62	2.99	1.85	5.51	Pink
ATSS700C58G134F			5/8	0.67	1 3/4								
ATSS750C12G134F	750 kcmil	-	1/2	0.51	1 3/4	1.75	1.90	0.27	0.62	2.99	1.85	5.51	Black
ATSS750C58G134F			5/8	0.67	1 3/4								
ATSS800C12G134F	800 kcmil	400	1/2	0.51	1 3/4	1.75	1.93	0.27	0.62	2.99	1.85	5.51	Orange
ATSS800C58G134F			5/8	0.67	1 3/4								
ATSS1000C12G134F	1000 kcmil	500	1/2	0.51	1 3/4	1.75	2.19	0.32	0.62	2.99	1.91	5.57	White
ATSS1000C58G134F			5/8	0.67	1 3/4								

Copper Compression Lugs Standard Flared Barrel - 2 Hole Slotted Tongue Break Away Without Inspection Window

Material : E-Copper
Finish : Electro-Tinned
Application : Up To 35 kVA
Voltage Rating : 600 Volts / 90°C

Features : Two Mounting Holes for Better Secureness
 Slotted Hole provides range for different Hole Spacings
 Break Away feature to allow field modification of the Lug from 2 Hole to 1 Hole
 Flared End Barrel for easy insertion of fine Stranded Flexible Cables
 • For Crimping Tool details please refer to page no. 93

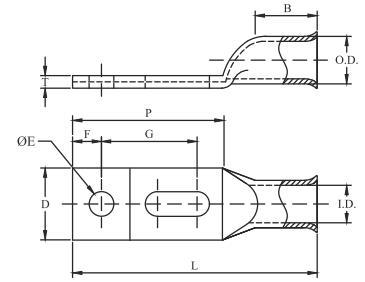


E-Code	Conductor AWG	Conductor MM ²	Bolt Size	Stud Hole ØE	Stud Hole Spacing	Dimensions						Color Code					
						G	D	T	F	P	B		L				
ATSSB8C10G58F	8 AWG	10	#10	0.21	5/8	0.63	0.42	0.08	0.28	1.26	0.44	1.82	Red				
ATSSB8C14G58F			1/4	0.25	5/8												
ATSSB8C38G1F			3/8	0.41	1									1.00	0.56	0.05	0.38
ATSSB6C10G34F	6 AWG	-	#10	0.21	3/4	0.75	0.42	0.08	0.28	1.38	0.71	2.20	Blue				
ATSSB6C14G58F			1/4	0.25	5/8	0.63				1.26		2.09					
ATSSB6C14G1F			1/4		1	1.00				0.38		1.81		2.64			
ATSSB6C38G1F			3/8	0.41	1					0.57		0.06					
ATSSB4C14G58F	4 AWG	-	1/4	0.25	5/8	0.63	0.49	0.09	0.28	1.26	0.75	2.09	Gray				
ATSSB4C14G1F			1/4		1												
ATSSB4C516G1F			5/16	0.33	1	1.00								0.55	0.38	1.81	2.68
ATSSB4C38G1F			3/8	0.41	1									0.57	0.07		
ATSSB3C14G58F	3 AWG	25	1/4	0.25	5/8	0.63	0.55	0.09	0.28	1.26	0.83	2.24	White				
ATSSB3C14G1F			1/4		1	1.00								0.50	0.38	1.81	2.80
ATSSB3C516G34F			5/16	0.33	3/4	0.75								0.55	0.32	1.61	2.60
ATSSB3C38G1F			3/8	0.41	1	1.00								0.59	0.08	0.38	1.81
ATSSB2C14G58F	2 AWG	35	1/4	0.25	5/8	0.63	0.60	0.10	0.28	1.26	0.83	2.24	Brown				
ATSSB2C14G34F			1/4		3/4	0.75				1.38				2.36			
ATSSB2C14G1F			1/4		1	1.00				0.38				1.81	2.80		
ATSSB2C516G34F			5/16	0.33	3/4	0.75				0.32				1.61	2.60		
ATSSB2C38G1F			3/8	0.41	1	1.00				0.38				1.81	2.80		
ATSSB2C12G134F			1/2	0.51	1 3/4	1.75				0.74				0.08	0.62	2.99	3.98
ATSSB1C14G58F	1 AWG	50	1/4	0.25	5/8	0.63	0.67	0.11	0.28	1.26	0.83	2.28	Green				
ATSSB1C516G1F			5/16	0.33	1	1.00								0.38	1.81	2.83	
ATSSB1C38G1F			3/8	0.41	1												
ATSSB10C14G34F	1/0 AWG	-	1/4	0.25	3/4	0.75	0.74	0.13	0.28	1.38	0.83	2.40	Pink				
ATSSB10C516G78F			5/16	0.33	7/8	0.87				0.32				1.61	2.64		
ATSSB10C38G1F			3/8	0.41	1	1.00				0.38				1.81	2.83		
ATSSB10C12G134F			1/2	0.51	1 3/4	1.75				0.62				2.99	4.02		
ATSSB20C14G34F	2/0 AWG	70	1/4	0.25	3/4	0.75	0.81	0.12	0.28	1.38	0.94	2.56	Black				
ATSSB20C516G78F			5/16	0.33	7/8	0.87				0.32				1.61	2.80		
ATSSB20C38G1F			3/8	0.41	1	1.00				0.38				1.81	2.99		
ATSSB20C12G134F			1/2	0.51	1 3/4	1.75				0.62				2.99	4.17		
ATSSB30C516G1F	3/0 AWG	-	5/16	0.33	1	1.00	0.90	0.13	0.38	1.81	0.98	3.11	Orange				
ATSSB30C38G1F			3/8	0.41	1												
ATSSB30C12G134F			1/2	0.51	1 3/4	1.75								0.62	2.99	4.29	
ATSSB40C14G58F	4/0 AWG	-	1/4	0.25	5/8	0.63	1.00	0.13	0.28	1.26	0.98	2.56	Purple				
ATSSB40C516G1F			5/16	0.33	1												
ATSSB40C38G1F			3/8	0.41	1												
ATSSB40C12G134F			1/2	0.51	1 3/4	1.75								0.62	2.99	4.29	

Copper Compression Lugs Standard Flared Barrel - 2 Hole Slotted Tongue Break Away Without Inspection Window

Material : E-Copper
Finish : Electro-Tinned
Application : Up To 35 kVA
Voltage Rating : 600 Volts / 90°C

Features : Two Mounting Holes for Better Secureness
 Slotted Hole provides range for different Hole Spacings
 Break Away feature to allow field modification of the Lug from 2 Hole to 1 Hole
 Flared End Barrel for easy insertion of fine Stranded Flexible Cables
 • For Crimping Tool details please refer to page no. 93

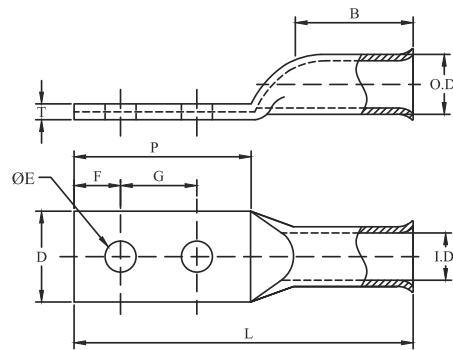


E-Code	Conductor AWG	Conductor MM ²	Bolt Size	Stud Hole ØE	Stud Hole Spacing	Dimensions						Color Code	
						G	D	T	F	P	B		L
ATSSB250C38G1F	250 kcmil	-	3/8	0.41	1	1.00	1.09	0.15	0.38	1.81	1.06	3.23	Yellow
ATSSB250C38G134F			3/8		1 3/4				0.62	2.99		4.41	
ATSSB250C12G134F			1/2	0.51	1 3/4	1.75	0.62	2.99	1.06	4.41			
ATSSB300C12G134F	300 kcmil	150	1/2	0.51	1 3/4	1.75	1.19	0.15	0.62	2.99	1.06	4.41	White
ATSSB350C38G1F	350 kcmil	185	3/8	0.41	1	1.00	1.28	0.17	0.38	1.81	1.10	3.35	Red
ATSSB350C12G134F			1/2	0.51	1 3/4				1.75	0.62		2.99	
ATSSB400C12G134F	400 kcmil	-	1/2	0.51	1 3/4	1.75	1.39	0.18	0.62	2.99	1.18	4.69	Blue
ATSSB500C38G1F	500 kcmil	240	3/8	0.41	1	1.00	1.54	0.22	0.38	1.81	1.38	3.70	Brown
ATSSB500C12G134F			1/2	0.51	1 3/4				1.75	0.62		2.99	
ATSSB600C38G134F	600 kcmil	300	3/8	0.41	1 3/4	1.75	1.72	0.25	0.62	2.99	1.50	5.04	Green
ATSSB600C12G134F			1/2	0.51	1 3/4								
ATSSB700C12G134F	700 kcmil	-	1/2	0.51	1 3/4	1.75	1.78	0.27	0.62	2.99	1.85	5.51	Pink
ATSSB700C58G134F			5/8	0.67	1 3/4								
ATSSB750C12G134F	750 kcmil	-	1/2	0.51	1 3/4	1.75	1.90	0.27	0.62	2.99	1.85	5.51	Black
ATSSB750C58G134F			5/8	0.67	1 3/4								
ATSSB800C12G134F	800 kcmil	400	1/2	0.51	1 3/4	1.75	1.93	0.27	0.62	2.99	1.85	5.51	Orange
ATSSB800C58G134F			5/8	0.67	1 3/4								
ATSSB1000C12G134F	1000 kcmil	500	1/2	0.51	1 3/4	1.75	2.19	0.32	0.62	2.99	1.91	5.57	White
ATSSB1000C58G134F			5/8	0.67	1 3/4								

Copper Compression Lugs Long Flared Barrel - 2 Hole Tongue With Or Without Inspection Window

Material : E-Copper
Finish : Electro-Tinned
Application : Up To 35 kVA
Voltage Rating : 600 Volts / 90°C

Features : Long Barrel for Better Mechanical & Electrical Properties
 Two Mounting Holes for Better Secureness
 Flared End Barrel for easy insertion of fine Stranded Flexible Cables
 • For Crimping Tool details please refer to page no. 93



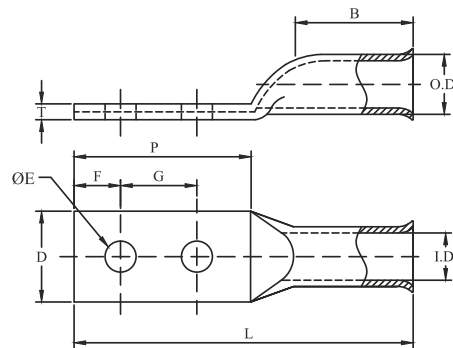
E-Code	Conductor AWG	Conductor MM ²	Bolt Size	Stud Hole ØE	Stud Hole Spacing	Dimensions							Color Code		
						G	D	T	F	P	B	L			
ATL8C10G58F	8 AWG	10	#10	0.21	5/8	0.63	0.42	0.08	0.28	1.26	0.81	2.19	Red		
ATL8C14G58F			1/4	0.25	5/8										
ATL8C14G34F			1/4		3/4	0.75	0.38	1.81	2.74						
ATL8C14G1F			1/4	1	1.00										
ATL8C516G134F			6 AWG	-	5/16	0.33	1 3/4	1.75	0.55	0.06	0.62	2.99		0.98	3.92
ATL8C38G134F					3/8	0.41	1 3/4								
ATL8C38G1F					3/8	1	1.00	0.57	0.06	0.38	1.81	2.74			
ATL6C14G12F					1/4	0.25	1/2							0.50	0.42
ATL6C14G58F	1/4	3/4	0.75	0.57	0.06	0.38	1.61	2.71							
ATL6C14G34F	1/4	3/4	0.75						0.57	0.06	0.38	1.61	2.71		
ATL6C38G34F	3/8	0.41	7/8	0.88	0.57	0.06	0.38	1.61						2.71	
ATL6C38G78F	3/8	1	1.00	0.57					0.06	0.38	1.61	2.71			
ATL6C38G1F	3/8	1	1.00		0.57	0.06	0.38	1.61					2.71		
ATL6C12G134F	1/2	0.51	1 3/4	1.75					0.74	0.04	0.62	2.99		4.09	
ATL4C14G58F	4 AWG	-	1/4	0.25	5/8	0.63	0.49	0.09	0.28	1.26	0.98	2.36	Gray		
ATL4C14G34F			1/4		3/4									0.75	
ATL4C14G1F			1/4	1	1.00	0.57	0.07	0.38	1.81	2.91					
ATL4C516G1F			5/16	0.33	1						1.00				
ATL4C38G34F			3/8	0.41	3/4	0.75	0.57	0.07	0.38	1.62	2.71				
ATL4C38G1F			3/8	1	1.00	0.57						0.07		0.38	1.81
ATL4C12G134F			1/2	0.51	1-3/4		1.75	0.74	0.05	0.62	2.99				
ATL3C14G58F			3 AWG	25	1/4	0.25	5/8	0.63	0.50	0.09	0.28	1.26		1.10	2.52
ATL3C14G34F	1/4	3/4			0.75		0.55						0.08		
ATL3C516G34F	5/16	0.33				3/4		0.59	0.07	0.38	1.61	2.87			
ATL3C38G34F	3/8	0.41			3/4	0.59	0.07						0.38	1.61	2.87
ATL3C38G1F	3/8	1			1.00			0.59	0.07	0.38	1.81	3.07			
ATL3C12G134F	1/2	0.51			1 3/4	1.75	0.74						0.05	0.62	2.99

Note : Add Suffix "I" after E-Code for Inspection window feature

Copper Compression Lugs Long Flared Barrel - 2 Hole Tongue With Or Without Inspection Window

Material : E-Copper
Finish : Electro-Tinned
Application : Up To 35 kVA
Voltage Rating : 600 Volts / 90°C

Features : Long Barrel for Better Mechanical & Electrical Properties
 Two Mounting Holes for Better Secureness
 Flared End Barrel for easy insertion of fine Stranded Flexible Cables
 • For Crimping Tool details please refer to page no. 93



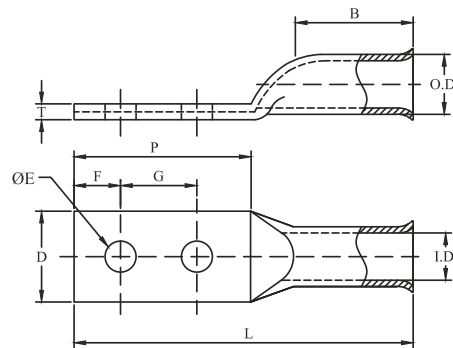
E-Code	Conductor AWG	Conductor MM ²	Bolt Size	Stud Hole ØE	Stud Hole Spacing	Dimensions						Color Code	
						G	D	T	F	P	B		L
ATL2C14G58F	2 AWG	35	1/4	0.25	5/8	0.63	0.60	0.10	0.28	1.26	1.10	2.52	Brown
ATL2C14G34F			3/4		0.75	1.38				2.64			
ATL2C14G1F			1		1.00	1.81				3.07			
ATL2C516G34F			5/16	0.33	3/4	0.75			0.32	1.61	1.10	2.87	
ATL2C516G78F			7/8		0.88								
ATL2C38G34F			3/8	0.41	3/4	0.75			0.38	1.81	3.07		
ATL2C38G78F			7/8		0.88								
ATL2C38G1F			1		1.00								
ATL2C38G134F			3/8	0.51	1-3/4	1.75			0.62	2.99	4.25		
ATL2C12G134F			1-3/4		0.74	0.08							
ATL1C14G58F	1 AWG	50	1/4	0.25	5/8	0.63	0.67	0.11	0.28	1.26	1.10	2.56	Green
ATL1C14G34F			3/4		0.75	1.38				2.68			
ATL1C516G78F			5/16	0.33	7/8	0.88			0.32	1.61	1.10	2.91	
ATL1C38G78F			7/8	0.41	1	1.00							
ATL1C38G1F			3/8		1	1.00			0.38	1.81	3.11		
ATL1C12G134F			1/2	0.51	1-3/4	1.75						0.74	
ATL10C14G58F	1/0 AWG	-	1/4	0.25	5/8	0.63	0.74	0.13	0.28	1.26	1.20	2.66	Pink
ATL10C14G34F			3/4		0.75	1.38				2.78			
ATL10C516G78F			5/16	0.33	7/8	0.88			0.32	1.61	1.20	3.01	
ATL10C38G34F			3/8	0.41	3/4	0.75							
ATL10C38G78F			7/8		0.88	0.38			1.81	3.21			
ATL10C38G1F			1		1.00								
ATL10C38G134F			3/8	0.51	1-3/4	1.75			0.62	2.99	4.39		
ATL10C12G134F			1-3/4										

Note : Add Suffix "I" after E-Code for Inspection window feature

Copper Compression Lugs Long Flared Barrel - 2 Hole Tongue With Or Without Inspection Window

Material : E-Copper
Finish : Electro-Tinned
Application : Up To 35 kVA
Voltage Rating : 600 Volts / 90°C

Features : Long Barrel for Better Mechanical & Electrical Properties
 Two Mounting Holes for Better Secureness
 Flared End Barrel for easy insertion of fine Stranded Flexible Cables
 • For Crimping Tool details please refer to page no. 93



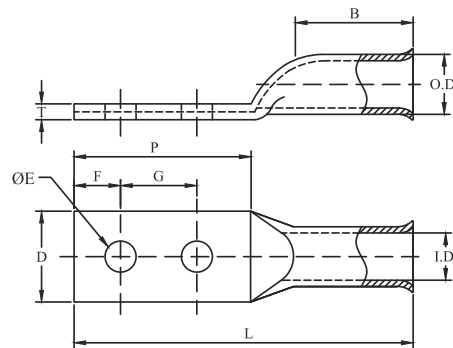
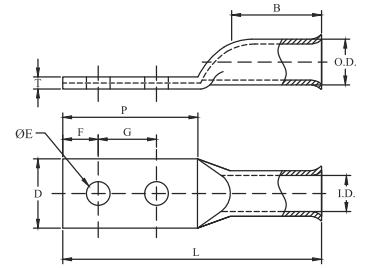
E-Code	Conductor AWG	Conductor MM ²	Bolt Size	Stud Hole ØE	Stud Hole Spacing	Dimensions							Color Code	
						G	D	T	F	P	B	L		
ATL20C14G58F	2/0 AWG	70	1/4	0.25	5/8	0.81	0.12	0.28	1.26	1.38	3.43	Black		
ATL20C14G34F			3/4		0.75									
ATL20C14G1F			1		1.00									
ATL20C38G1F			3/8	0.41	1	1.75	0.62	2.99	4.61					
ATL20C38G134F			1-3/4											
ATL20C12G134F			1-3/4											
ATL30C14G58F	3/0 AWG	-	1/4	0.25	5/8	0.90	0.13	0.28	1.26	1.38	3.50	Orange		
ATL30C14G34F			3/4		0.75									
ATL30C516G1F			1		1.00									
ATL30C38G1F			3/8	0.41	1	1.75	0.62	2.99	4.69					
ATL30C38G134F			1-3/4											
ATL30C12G134F			1-3/4											
ATL40C14G58F	4/0 AWG	-	1/4	0.25	5/8	1.00	0.13	0.28	1.26	1.42	3.54	Purple		
ATL40C14G34F			3/4		0.75									
ATL40C38G1F			3/8	0.41	1			1.75	0.62				2.99	4.72
ATL40C38G134F			1 3/4											
ATL40C12G134F			1-3/4											
ATL250C38G1F	250 kcmil	-	3/8	0.41	1	1.09	0.15	0.38	1.81	1.61	3.78	Yellow		
ATL250C12G134F			1/2	0.51	1-3/4			1.75	0.62		2.99		4.96	
ATL300C38G1F	300 kcmil	150	3/8	0.41	1	1.19	0.15	0.38	1.81	1.97	4.13	White		
ATL300C12G134F			1/2	0.51	1-3/4			1.75	0.62		2.99		5.31	
ATL350C38G1F	350 kcmil	-	3/8	0.41	1	1.28	0.17	0.38	1.81	1.97	4.21	Red		
ATL350C12G134F			1/2	0.51	1-3/4			1.75	0.62		2.99		5.39	
ATL400C38G1F	400 kcmil	-	3/8	0.41	1	1.39	0.18	0.38	1.81	1.97	4.29	Blue		
ATL400C12G134F			1/2	0.51	1-3/4			1.75	0.62		2.99		5.47	

Note : Add Suffix "I" after E-Code for Inspection window feature

Copper Compression Lugs Long Flared Barrel - 2 Hole Tongue With Or Without Inspection Window

Material : E-Copper
Finish : Electro-Tinned
Application : Up To 35 kVA
Voltage Rating : 600 Volts / 90°C

Features : Long Barrel for Better Mechanical & Electrical Properties
 Two Mounting Holes for Better Secureness
 Flared End Barrel for easy insertion of fine Stranded Flexible Cables
 • For Crimping Tool details please refer to page no. 93



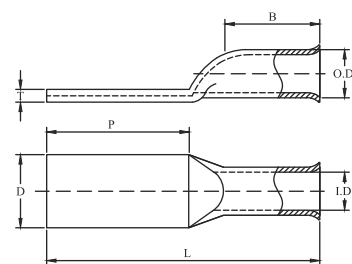
E-Code	Conductor AWG	Conductor MM ²	Bolt Size	Stud Hole ØE	Stud Hole Spacing	Dimensions						Color Code	
						G	D	T	F	P	B		L
ATL500C38G1F	500 kcmil	240	3/8	0.41	1	1.00	1.54	0.22	0.38	1.81	2.24	4.57	Brown
ATL500C12G134F			1/2	0.51	1-3/4	1.75			0.62	2.99		5.75	
ATL600C38G1F	600 kcmil	300	3/8	0.41	1	1.00	1.72	0.25	0.38	1.81	2.24	4.61	Green
ATL600C12G134F			1/2	0.51	1-3/4	1.75			0.62	2.99		5.79	
ATL700C38G1F	700 kcmil	-	3/8	0.41	1	1.00	1.77	0.27	0.38	1.81	2.64	5.12	Pink
ATL700C12G134F			1/2	0.51	1-3/4	1.75			0.62	2.99		6.30	
ATL700C58G134F			5/8	0.67	1-3/4	1.75			0.62	2.99		6.30	
ATL750C38G1F	750 kcmil	-	3/8	0.41	1	1.00	1.90	0.27	0.38	1.81	2.64	5.12	Black
ATL750C12G134F			1/2	0.51	1-3/4	1.75			0.62	2.99		6.30	
ATL800C12G134F	800 kcmil	400	1/2	0.51	1-3/4	1.75	1.93	0.27	0.62	2.99	2.64	6.30	Orange
ATL800C58G134F			5/8	0.67	1-3/4	1.75			0.62	2.99			
ATL1000C12G134F	1000 kcmil	500	1/2	0.51	1-3/4	1.75	2.18	0.33	0.62	2.99	3.15	6.81	White
ATL1000C58G134F			5/8	0.67	1-3/4	1.75			0.62	2.99			

Note : Add Suffix "I" after E-Code for Inspection window feature

Copper compression Lugs Long Flared Barrel - 2 Hole Blank Tongue With Or Without Inspection Window

Material : E-Copper
Finish : Electro-Tinned
Application : Up To 35 kVA
Voltage Rating : 600 Volts / 90°C

Features : Long Barrel for Better Mechanical & Electrical Properties
 Blank Tongue to select custom Hole sizes & Spacings
 Flared End Barrel for easy insertion of fine Stranded Flexible Cables
 • For Crimping Tool details please refer to page no. 93

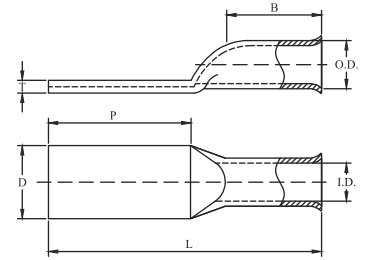


E-Code	Conductor AWG	Conductor MM ²	Bolt Size	Dimensions					Color Code
				D	T	P	B	L	
ATL8CB14G58F	8 AWG	10	#10	0.42	0.08	1.26	0.81	2.19	Red
ATL8CB14G34F			1/4			1.38		2.30	
ATL8CB14G1F			1/4			1.81		2.74	
ATL8CB516G134F			5/16	0.55	0.06	2.99		3.92	
ATL8CB38G134F			3/8	0.57		1.81		2.74	
ATL8CB38G1F			3/8			1.81		2.74	
ATL6CB14G12F			6 AWG	-	1/4	0.42		0.08	
ATL6CB14G58F	1/4	1.26			2.36				
ATL6CB14G34F	1/4	1.38			2.48				
ATL6CB38G78F	3/8	0.57			1.61	2.71			
ATL6CB38G1F	3/8				1.81	2.91			
ATL6CB12G134F	1/2				2.99	4.09			
ATL4CB14G58F	4 AWG	-			1/4	0.49	0.09	1.26	0.98
ATL4CB14G34F			1/4	1.38	2.48				
ATL4CB14G1F			1/4	1.81	2.91				
ATL4CB38G1F			5/16	0.57	0.07	1.62	2.71		
ATL4CB38G34F			3/8			1.81	2.91		
ATL4CB38G1F			3/8			1.81	2.91		
ATL4CB12G134F			1/2	0.74	0.05	2.99	4.09		
ATL3CB14G58F	3 AWG	25	1/4	0.50	0.09	1.26	1.10	2.52	White
ATL3CB14G34F			1/4			1.38		2.64	
ATL3CB516G34F			5/16	0.55	0.08	1.61		2.87	
ATL3CB38G34F			3/8	0.59	0.07	1.61		2.87	
ATL3CB38G1F			3/8			1.81		3.07	
ATL3CB12G134F			1/2			2.99		4.25	
ATL2CB14G58F			2 AWG	35	1/4	0.60		0.10	
ATL2CB14G34F	1/4	1.38			2.64				
ATL2CB38G1F	1/4	1.81			3.07				
ATL2CB38G78F	5/16	1.61			2.87				
ATL2CB38G1F	5/16								
ATL2CB38G1F	3/8								
ATL2CB38G1F	3/8	1.81			3.07				
ATL2CB38G134F	3/8	2.99			4.25				
ATL2CB12G134F	1/2								

Copper compression Lugs Long Flared Barrel - 2 Hole Blank Tongue With Or Without Inspection Window

Material : E-Copper
Finish : Electro-Tinned
Application : Up To 35 kVA
Voltage Rating : 600 Volts / 90°C

Features : Long Barrel for Better Mechanical & Electrical Properties
 Blank Tongue to select custom Hole sizes & Spacings
 Flared End Barrel for easy insertion of fine Stranded Flexible Cables
 • For Crimping Tool details please refer to page no. 93



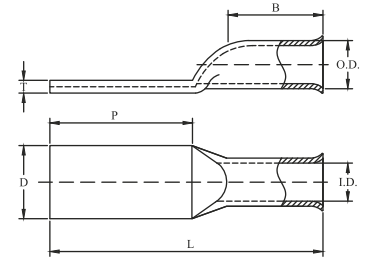
E-Code	Conductor AWG	Conductor MM ²	Bolt Size	Dimensions					Color Code
				D	T	P	B	L	
ATL1CB14G58F	1 AWG	50	1/4	0.67	0.11	1.26	1.10	2.56	Green
ATL1CB14G34F			1/4			1.38		2.68	
ATL1CB38G78F			5/16			1.61		2.91	
ATL1CB38G1F			3/8			1.81		3.11	
ATL1CB12G134F			1/2			2.99		4.29	
ATL10CB14G58F	1/0 AWG	-	1/4	0.74	0.13	1.26	1.20	2.66	Pink
ATL10CB14G34F			1/4			1.38		2.78	
ATL10CB38G78F			5/16			1.61		3.01	
ATL10CB38G1F			3/8			1.81		3.21	
ATL10CB12G134F			3/8			2.99		4.39	
ATL10CB12G134F			1/2						
ATL20CB14G58F	2/0 AWG	70	1/4	0.81	0.12	1.26	1.38	2.87	Black
ATL20CB14G34F			1/4			1.38		2.99	
ATL20CB38G1F			1/4			1.81		3.43	
ATL20CB12G134F			3/8			2.99		4.61	
ATL20CB12G134F			1/2						
ATL30CB14G58F	3/0 AWG	-	1/4	0.90	0.13	1.26	1.38	2.95	Orange
ATL30CB14G34F			1/4			1.38		3.07	
ATL30CB38G1F			5/16			1.81		3.50	
ATL30CB12G134F			3/8			2.99		4.69	
ATL30CB12G134F			1/2						
ATL40CB14G58F	4/0 AWG	-	1/4	1.00	0.13	1.26	1.42	2.99	Purple
ATL40CB14G34F			1/4			1.38		3.11	
ATL40CB38G1F			3/8			1.81		3.54	
ATL40CB12G134F			3/8			2.99		4.72	
ATL40CB12G134F	1/2								

Note : Add Suffix "I" after E-Code for Inspection window feature

Copper compression Lugs Long Flared Barrel - 2 Hole Blank Tongue With Or Without Inspection Window

Material : E-Copper
Finish : Electro-Tinned
Application : Up To 35 kVA
Voltage Rating : 600 Volts / 90°C

Features : Long Barrel for Better Mechanical & Electrical Properties
 Blank Tongue to select custom Hole sizes & Spacings
 Flared End Barrel for easy insertion of fine Stranded Flexible Cables
 • For Crimping Tool details please refer to page no. 93



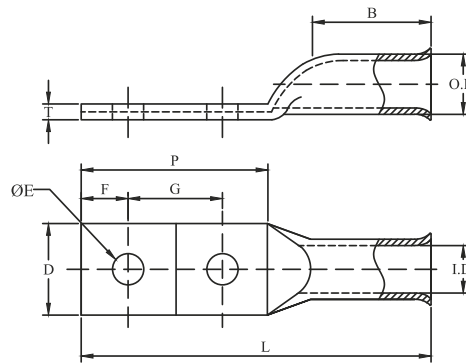
E-Code	Conductor AWG	Conductor MM ²	Bolt Size	Dimensions					Color Code
				D	T	P	B	L	
ATL250CB38G1F	250 kcmil	-	3/8	1.09	0.15	1.81	1.61	3.78	Yellow
ATL250CB12G134F			1/2			2.99		4.96	
ATL300CB38G1F	300 kcmil	150	3/8	1.19	0.15	1.81	1.97	4.13	White
ATL300CB12G134F			1/2			2.99		5.31	
ATL350CB38G1F	350 kcmil	-	3/8	1.28	0.17	1.81	1.97	4.21	Red
ATL350CB12G134F			1/2			2.99		5.39	
ATL400CB38G1F	400 kcmil	-	3/8	1.39	0.18	1.81	1.97	4.29	Blue
ATL400CB12G134F			1/2			2.99		5.47	
ATL500CB38G1F	500 kcmil	240	3/8	1.54	0.22	1.81	2.24	4.57	Brown
ATL500CB12G134F			1/2			2.99		5.75	
ATL600CB38G1F	600 kcmil	300	3/8	1.72	0.25	1.81	2.24	4.61	Green
ATL600CB12G134F			1/2			2.99		5.79	
ATL700CB38G1F	700 kcmil	-	3/8	1.77	0.27	1.81	2.64	5.12	Pink
ATL700CB58G134F			1/2			2.99		6.30	
			5/8						
ATL750CB38G1F	750 kcmil	-	3/8	1.90	0.27	1.81	2.64	5.12	Black
ATL750CB12G134F			1/2			2.99		6.30	
ATL800CB58G134F	800 kcmil	400	1/2	1.93	0.27	2.99	2.64	6.30	Orange
			5/8						
ATL1000CB58G134F	1000 kcmil	500	1/2	2.18	0.33	2.99	3.15	6.81	White
			5/8						

Note : Add Suffix "I" after E-Code for Inspection window feature

Copper Compression Lugs Long Flared Barrel - 2 Hole Tongue Break Away With Or Without Inspection Window

Material : E-Copper
Finish : Electro-Tinned
Application : Up To 35 kVA
Voltage Rating : 600 Volts / 90°C

Features : Long Barrel for Better Mechanical & Electrical Properties
 Two Mounting Holes for Better Secureness
 Break Away feature to allow field modification of the Lug from 2 Hole to 1 Hole
 Flared End Barrel for easy insertion of fine Stranded Flexible Cables
 • For Crimping Tool details please refer to page no. 93



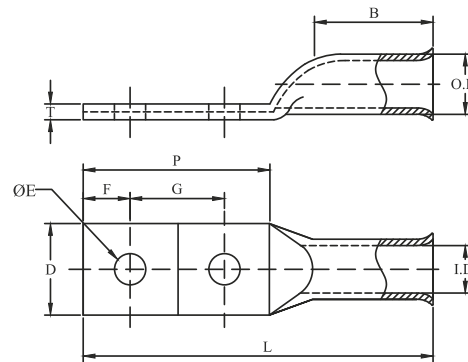
E-Code	Conductor AWG	Conductor MM ²	Bolt Size	Stud Hole ØE	Stud Hole Spacing	Dimensions							Color Code
						G	D	T	F	P	B	L	
ATLB8C10G58F	8 AWG	10	#10	0.21	5/8	0.63	0.42	0.08	0.28	1.26	0.81	2.19	Red
ATLB8C14G58F			1/4	5/8	1.38								
ATLB8C14G34F			1/4	3/4	0.75					1.81			
ATLB8C14G1F			1/4	1	1.00	0.38	1.81	2.74					
ATLB8C516G134F			5/16	0.33	1 3/4	1.75	0.55	0.06	0.62	2.99	3.92		
ATLB8C38G134F			3/8	0.41	1 3/4	0.57	0.38		1.81	2.74			
ATLB8C38G1F			3/8	1	1.00	0.38	1.81	2.74					
ATLB6C14G12F	6 AWG	-	1/4	0.25	1/2	0.50	0.42	0.08	0.28	1.14	0.98	2.24	Blue
ATLB6C14G58F			1/4		5/8	0.63				1.26			
ATLB6C14G34F			1/4		3/4	0.75				1.38			
ATLB6C38G34F			3/8	0.41	3/4	0.75	0.57	0.06	0.38	1.61	2.71		
ATLB6C38G78F			3/8	7/8	0.88	1.81				2.71			
ATLB6C38G1F			3/8	1	1.00	1.81	2.91						
ATLB6C12G134F			1/2	0.51	1 3/4	1.75	0.74	0.04	0.62	2.99	4.09		
ATLB4C14G58F	4 AWG	-	1/4	0.25	5/8	0.63	0.49	0.09	0.28	1.26	0.98	2.36	Gray
ATLB4C14G34F			1/4		3/4	0.75				1.38			
ATLB4C14G1F			1/4		1	1.00				1.81		2.91	
ATLB4C516G1F			5/16	0.33	1	1.00	0.57	0.07	0.38	1.62	2.71		
ATLB4C38G34F			3/8	0.41	3/4	0.75				1.81	2.91		
ATLB4C38G1F			3/8	1	1.00	1.81	2.91						
ATLB4C12G134F			1/2	0.51	1-3/4	1.75	0.74	0.05	0.62	2.99	4.09		
ATLB3C14G58F	3 AWG	25	1/4	0.25	5/8	0.63	0.50	0.09	0.28	1.26	1.10	2.52	White
ATLB3C14G34F			1/4		3/4	0.75				1.38			
ATLB3C516G34F			5/16	0.33	3/4	0.75	0.55	0.08	0.32	1.61	2.87		
ATLB3C38G34F			3/8	0.41	3/4	0.75				1.61	2.87		
ATLB3C38G1F			3/8	1	1.00	0.59	0.07	0.38	1.81	3.07			
ATLB3C12G134F			1/2	0.51	1 3/4	1.75	0.74	0.05	0.62	2.99	4.25		

Note : Add Suffix "I" after E-Code for Inspection window feature

Copper Compression Lugs Long Flared Barrel - 2 Hole Tongue Break Away With Or Without Inspection Window

Material : E-Copper
Finish : Electro-Tinned
Application : Up To 35 kVA
Voltage Rating : 600 Volts / 90°C

Features : Long Barrel for Better Mechanical & Electrical Properties
 Two Mounting Holes for Better Secureness
 Break Away feature to allow field modification of the Lug from 2 Hole to 1 Hole
 Flared End Barrel for easy insertion of fine Stranded Flexible Cables
 • For Crimping Tool details please refer to page no. 93



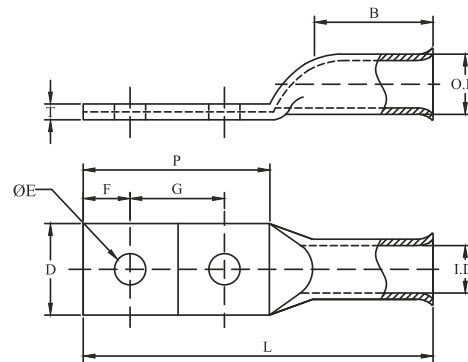
E-Code	Conductor AWG	Conductor MM ²	Bolt Size	Stud Hole ØE	Stud Hole Spacing	Dimensions							Color Code	
						G	D	T	F	P	B	L		
ATLB2C14G58F	2 AWG	35	1/4	0.25	5/8	0.63	0.60	0.10	0.28	1.26	1.10	2.52	Brown	
ATLB2C14G34F			3/4		0.75					1.38		2.64		
ATLB2C14G1F			1		1.00					1.81		3.07		
ATLB2C516G34F			5/16	0.33	3/4				0.75	0.32		1.61		2.87
ATLB2C516G78F			5/16		7/8				0.88					
ATLB2C38G34F			3/8	0.41	3/4				0.75	0.38		1.81		3.07
ATLB2C38G78F			3/8		7/8				0.88					
ATLB2C38G1F			3/8		1				1.00					
ATLB2C38G134F			3/8	0.51	1-3/4				1.75	0.62		2.99		4.25
ATLB2C12G134F			1/2		1-3/4				0.74					
ATLB1C14G58F	1 AWG	50	1/4	0.25	5/8	0.63	0.67	0.11	0.28	1.26	1.10	2.56	Green	
ATLB1C14G34F			3/4		0.75					1.38		2.68		
ATLB1C516G78F			5/16	0.33	7/8				0.88	0.32		1.61		2.91
ATLB1C38G78F			3/8	7/8	0.88									
ATLB1C38G1F			3/8	0.41	1				1.00	0.38		1.81		3.11
ATLB1C12G134F			1/2		1-3/4				1.75					
ATLB10C14G58F	1/0 AWG	-	1/4	0.25	5/8	0.63	0.74	0.13	0.28	1.26	1.20	2.66	Pink	
ATLB10C14G34F			3/4		0.75					1.38		2.78		
ATLB10C516G78F			5/16	0.33	7/8				0.88	0.32		1.61		3.01
ATLB10C38G34F			3/8	0.41	3/4				0.75					
ATLB10C38G78F			3/8		7/8				0.88	0.38		1.81		3.21
ATLB10C38G1F			3/8		1				1.00					
ATLB10C38G134F			3/8	0.51	1-3/4				1.75	0.62		2.99		4.39
ATLB10C12G134F			1/2		1-3/4									

Note : Add Suffix "I" after E-Code for Inspection window feature

Copper Compression Lugs Long Flared Barrel - 2 Hole Tongue Break Away With Or Without Inspection Window

Material : E-Copper
Finish : Electro-Tinned
Application : Up To 35 kVA
Voltage Rating : 600 Volts / 90°C

Features : Long Barrel for Better Mechanical & Electrical Properties
 Two Mounting Holes for Better Secureness
 Break Away feature to allow field modification of the Lug from 2 Hole to 1 Hole
 Flared End Barrel for easy insertion of fine Stranded Flexible Cables
 • For Crimping Tool details please refer to page no. 93



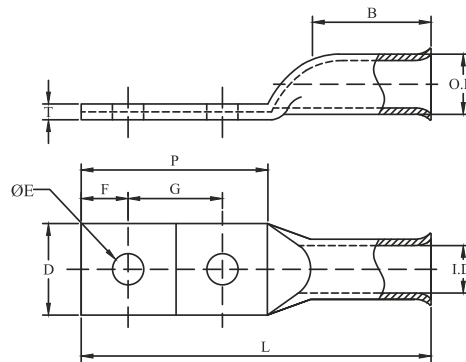
E-Code	Conductor AWG	Conductor MM ²	Bolt Size	Stud Hole ØE	Stud Hole Spacing	Dimensions							Color Code	
						G	D	T	F	P	B	L		
ATLB20C14G58F	2/0 AWG	70	1/4	0.25	5/8	0.63	0.81	0.12	0.28	1.26	1.38	2.87	Black	
ATLB20C14G34F			3/4		0.75	1.38				2.99				
ATLB20C14G1F			1/4	0.41	1	1.00			0.38	1.81		1.38		3.43
ATLB20C38G1F			3/8		1									
ATLB20C38G134F			3/8		1-3/4	1.75			0.62	2.99		4.61		
ATLB20C12G134F			1/2		1-3/4									
ATLB30C14G58F	3/0 AWG	-	1/4	0.25	5/8	0.63	0.90	0.13	0.28	1.26	1.38	2.95	Orange	
ATLB30C14G34F			3/4		0.75	1.38				3.07				
ATLB30C516G1F			5/16	0.33	1	1.00			0.38	1.81		1.38		3.50
ATLB30C38G1F			3/8	0.41	1									
ATLB30C38G134F			3/8	1-3/4	1.75	0.62			2.99	4.69				
ATLB30C12G134F			1/2	1-3/4										
ATLB40C14G58F	4/0 AWG	-	1/4	0.25	5/8	0.63	1.00	0.13	0.28	1.26	1.42	2.99	Purple	
ATLB40C14G34F			3/4		0.75	1.38				3.11				
ATLB40C38G1F			3/8	0.41	1	1.00			0.38	1.81		1.42		3.54
ATLB40C38G134F			3/8		1 3/4									
ATLB40C12G134F			1/2		1-3/4									
ATLB250C38G1F			250 kcmil		-	3/8			0.41	1		1.00		1.09
ATLB250C12G134F	1/2	0.51		1-3/4		1.75	0.62	2.99	4.96					
ATLB300C38G1F	300 kcmil	150	3/8	0.41	1	1.00	1.19	0.15	0.38	1.81	1.97	4.13	White	
ATLB300C12G134F			1/2	0.51	1-3/4	1.75			0.62	2.99		5.31		
ATLB350C38G1F	350 kcmil	-	3/8	0.41	1	1.00	1.28	0.17	0.38	1.81	1.97	4.21	Red	
ATLB350C12G134F			1/2	0.51	1-3/4	1.75			0.62	2.99		5.39		

Note : Add Suffix "I" after E-Code for Inspection window feature

Copper Compression Lugs Long Flared Barrel - 2 Hole Tongue Break Away With Or Without Inspection Window

Material : E-Copper
Finish : Electro-Tinned
Application : Up To 35 kVA
Voltage Rating : 600 Volts / 90°C

Features : Long Barrel for Better Mechanical & Electrical Properties
 Two Mounting Holes for Better Secureness
 Break Away feature to allow field modification of the Lug from 2 Hole to 1 Hole
 Flared End Barrel for easy insertion of fine Stranded Flexible Cables
 • For Crimping Tool details please refer to page no. 93



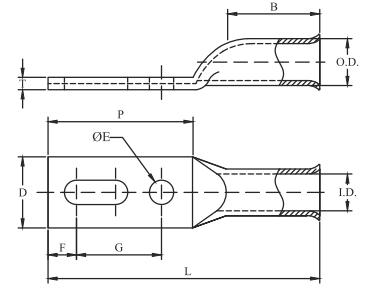
E-Code	Conductor AWG	Conductor MM ²	Bolt Size	Stud Hole ØE	Stud Hole Spacing	Dimensions							Color Code
						G	D	T	F	P	B	L	
ATLB400C38G1F	400 kcmil	-	3/8	0.41	1	1.00	1.39	0.18	0.38	1.81	1.97	4.29	Blue
ATLB400C12G134F			1/2	0.51	1-3/4	1.75			0.62	2.99		5.47	
ATLB500C38G1F	500 kcmil	240	3/8	0.41	1	1.00	1.54	0.22	0.38	1.81	2.24	4.57	Brown
ATLB500C12G134F			1/2	0.51	1-3/4	1.75			0.62	2.99		5.75	
ATLB600C38G1F	600 kcmil	300	3/8	0.41	1	1.00	1.72	0.25	0.38	1.81	2.24	4.61	Green
ATLB600C12G134F			1/2	0.51	1-3/4	1.75			0.62	2.99		5.79	
ATLB700C38G1F	700 kcmil	-	3/8	0.41	1	1.00	1.77	0.27	0.38	1.81	2.64	5.12	Pink
ATLB700C12G134F			1/2	0.51	1-3/4	1.75			0.62	2.99		6.30	
ATLB700C58G134F			5/8	0.67	1-3/4	1.75			0.62	2.99		6.30	
ATLB750C38G1F	750 kcmil	-	3/8	0.41	1	1.00	1.90	0.27	0.38	1.81	2.64	5.12	Black
ATLB750C12G134F			1/2	0.51	1-3/4	1.75			0.62	2.99		6.30	
ATLB800C12G134F	800 kcmil	400	1/2	0.51	1-3/4	1.75	1.93	0.27	0.62	2.99	2.64	6.30	Orange
ATLB800C58G134F			5/8	0.67	1-3/4								
ATLB1000C12G134F	1000 kcmil	500	1/2	0.51	1-3/4	1.75	2.18	0.33	0.62	2.99	3.15	6.81	White
ATLB1000C58G134F			5/8	0.67	1-3/4								

Note : Add Suffix "I" after E-Code for Inspection window feature

Copper Compression Lugs Long Flared Barrel - 2 Hole Slotted Tongue With Or Without Inspection Window

Material : E-Copper
Finish : Electro-Tinned
Application : Up To 35 kVA
Voltage Rating : 600 Volts / 90°C

Features : Long Barrel for Better Mechanical & Electrical Properties
 Two Mounting Holes for Better Secureness
 Slotted Hole provides range for different Hole Spacings
 Flared End Barrel for easy insertion of fine Stranded Flexible Cables



• For Crimping Tool details please refer to page no. 93

E-Code	Conductor AWG	Conductor MM ²	Bolt Size	Stud Hole ØE	Stud Hole Spacing	Dimensions						Color Code						
						G	D	T	F	P	B		L					
ATLS8C10G58F	8 AWG	10	#10	0.21	5/8	0.63	0.42	0.08	0.28	1.26	0.81	2.19	Red					
ATLS8C14G58F			1/4	5/8														
ATLS8C14G34F			1/4	0.25	3/4	0.75	1.00	0.38	1.81	2.74								
ATLS8C14G1F			1/4	1														
ATLS8C516G134F			5/16	0.33	1 3/4	1.75	0.55	0.06	0.62	2.99	3.92							
ATLS8C38G134F			3/8	0.41	1 3/4	1.00	0.57					0.38		1.81	2.74			
ATLS8C38G1F			3/8		1													
ATLS6C14G12F	6 AWG	-	1/4	0.25	1/2	0.50	0.42	0.08	0.28	1.14	0.98	2.24	Blue					
ATLS6C14G58F			1/4		5/8	0.63								0.42	0.08	0.28	1.26	2.36
ATLS6C14G34F			1/4		3/4	0.75												
ATLS6C38G34F			3/8	3/4	0.75	0.57	0.06	0.38	1.61	2.71								
ATLS6C38G78F			3/8	0.41	7/8						0.88	0.57		0.06	0.38	1.81	2.91	
ATLS6C38G1F			3/8	1	1.00	0.74	0.04	0.62	2.99	4.09								
ATLS6C12G134F			1/2	0.51	1 3/4						1.75							
ATLS4C14G58F	4 AWG	-	1/4	0.25	5/8	0.63	0.49	0.09	0.28	1.26	0.98	2.36	Gray					
ATLS4C14G34F			1/4		3/4	0.75								0.57	0.07	0.38	1.62	2.71
ATLS4C14G1F			1/4		1	1.00												
ATLS4C516G1F			5/16	0.33	1	1.00	0.57	0.07	0.38	1.62	2.71							
ATLS4C38G34F			3/8	0.41	3/4	0.75						0.57		0.07	0.38	1.62	2.71	
ATLS4C38G1F			3/8	1	1.00	0.74	0.05	0.62	2.99	4.09								
ATLS4C12G134F			1/2	0.51	1-3/4						1.75							
ATLS3C14G58F	3 AWG	25	1/4	0.25	5/8	0.63	0.50	0.09	0.28	1.26	1.10	2.52	White					
ATLS3C14G34F			1/4		3/4	0.75								0.55	0.08	0.32	1.61	2.87
ATLS3C516G34F			5/16	0.33	3/4		0.59	0.07	0.38	1.61	2.87							
ATLS3C38G34F			3/8	0.41	3/4	0.59						0.07		0.38	1.61	2.87		
ATLS3C38G1F			3/8	1	1.00		0.74	0.05	0.62	2.99	4.25							
ATLS3C12G134F			1/2	0.51	1 3/4	1.75												
ATLS2C14G58F			2 AWG	35	1/4	0.25	5/8	0.63	0.60	0.10	0.28	1.26		1.10	2.52	Brown		
ATLS2C14G34F	1/4	3/4			0.75		0.60	0.10					0.38				1.81	3.07
ATLS2C14G1F	1/4	1			1.00													
ATLS2C516G34F	5/16	0.33			3/4	0.75	0.60	0.10	0.32	1.61	1.10	2.87						
ATLS2C516G78F	5/16	0.41			7/8	0.88							0.60	0.10	0.38		1.61	1.10
ATLS2C38G34F	3/8				3/4	0.75	0.60	0.10	0.38	1.61	1.10	2.87						
ATLS2C38G78F	3/8	7/8			0.88	0.60							0.10	0.38	1.61		1.10	2.87
ATLS2C38G1F	3/8	1			1.00		0.60	0.10	0.38	1.61	1.10	2.87						
ATLS2C38G134F	3/8	1-3/4			1.75	0.60							0.10	0.62	2.99		4.25	
ATLS2C12G134F	1/2	0.51					1-3/4	1.75										

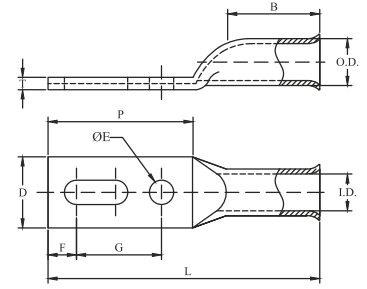
Note : Add Suffix "I" after E-Code for Inspection window feature

Copper Compression Lugs Long Flared Barrel - 2 Hole Slotted Tongue With Or Without Inspection Window

Material : E-Copper
Finish : Electro-Tinned
Application : Up To 35 kVA
Voltage Rating : 600 Volts / 90°C

Features : Long Barrel for Better Mechanical & Electrical Properties
 Two Mounting Holes for Better Secureness
 Slotted Hole provides range for different Hole Spacings
 Flared End Barrel for easy insertion of fine Stranded Flexible Cables

• For Crimping Tool details please refer to page no. 93



E-Code	Conductor AWG	Conductor MM ²	Bolt Size	Stud Hole ØE	Stud Hole Spacing	Dimensions						Color Code	
						G	D	T	F	P	B		L
ATLS1C14G58F	1 AWG	50	1/4	0.25	5/8	0.63	0.67	0.11	0.28	1.26	1.10	2.56	Green
ATLS1C14G34F			3/4		0.75				1.38	2.68			
ATLS1C516G78F			5/16	0.33	7/8	0.88	0.32	1.61	2.91				
ATLS1C38G78F			3/8	0.41	7/8		0.38	1.81	2.91				
ATLS1C38G1F			3/8	0.51	1	1.00	0.62	2.99	4.29				
ATLS1C12G134F			1/2		1-3/4	1.75				0.74	0.10	0.62	
ATLS10C14G58F			1/0 AWG	-	1/4	0.25	5/8	0.63	0.74	0.13	0.28	1.26	
ATLS10C14G34F	3/4	0.75			1.38		2.78						
ATLS10C516G78F	5/16	0.33			7/8	0.88	0.32	1.61	3.01				
ATLS10C38G34F	3/8	0.41			3/4		0.75	0.38	1.81	3.21			
ATLS10C38G78F	3/8	0.51			7/8	0.88	0.62				2.99	4.39	
ATLS10C38G1F	3/8				1	1.00							
ATLS10C38G134F	3/8	1-3/4			1.75								
ATLS10C12G134F	1/2	1-3/4			1.75								
ATLS20C14G58F	2/0 AWG	70	1/4	0.25	5/8	0.63	0.81	0.12	0.28	1.26	1.38	2.87	Black
ATLS20C14G34F			3/4		0.75				1.38	2.99			
ATLS20C14G1F			1/4	0.41	1	1.00	0.38	1.81	1.38	3.43			
ATLS20C38G1F			3/8		1	1.75							
ATLS20C38G134F			3/8	1-3/4	1.75	0.62	2.99	4.61					
ATLS20C12G134F			1/2	0.51	1-3/4								
ATLS30C14G58F	3/0 AWG	-	1/4	0.25	5/8	0.63	0.90	0.13	0.28	1.26	1.38	2.95	Orange
ATLS30C14G34F			3/4		0.75				1.38	3.07			
ATLS30C516G1F			5/16	0.33	1	1.00	0.38	1.81	1.38	3.50			
ATLS30C38G1F			3/8	0.41	1	1.75							
ATLS30C38G134F			3/8	1-3/4	1.75	0.62	2.99	4.69					
ATLS30C12G134F			1/2	0.51	1-3/4								
ATLS40C14G58F	4/0 AWG	-	1/4	0.25	5/8	0.63	1.00	0.13	0.28	1.26	1.42	2.99	Purple
ATLS40C14G34F			3/4		0.75				1.38	3.11			
ATLS40C38G1F			3/8	0.41	1	1.00	0.38	1.81	1.42	3.54			
ATLS40C38G134F			3/8	1 3/4	1.75								
ATLS40C12G134F			1/2	0.51	1-3/4	1.75	0.62	2.99	4.72				
ATLS250C38G1F	250 kcmil	-	3/8	0.41	1	1.00	1.09	0.15	0.38	1.81	1.61	3.78	Yellow
ATLS250C12G134F	1/2		0.51	1-3/4	1.75	0.62			2.99	4.96			
ATLS300C38G1F	300 kcmil	150	3/8	0.41	1	1.00	1.19	0.15	0.38	1.81	1.97	4.13	White
ATLS300C12G134F			1/2	0.51	1-3/4	1.75			0.62	2.99		5.31	
ATLS350C38G1F	350 kcmil	-	3/8	0.41	1	1.00	1.28	0.17	0.38	1.81	1.97	4.21	Red
ATLS350C12G134F			1/2	0.51	1-3/4	1.75			0.62	2.99		5.39	

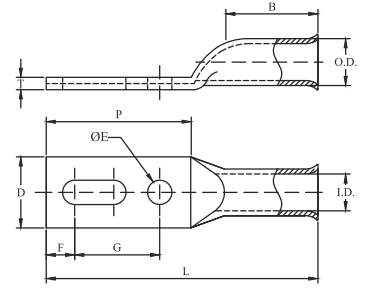
Note : Add Suffix "I" after E-Code for Inspection window feature

Copper Compression Lugs Long Flared Barrel - 2 Hole Slotted Tongue With Or Without Inspection Window

Material : E-Copper
Finish : Electro-Tinned
Application : Up To 35 kVA
Voltage Rating : 600 Volts / 90°C

Features : Long Barrel for Better Mechanical & Electrical Properties
 Two Mounting Holes for Better Secureness
 Slotted Hole provides range for different Hole Spacings
 Flared End Barrel for easy insertion of fine Stranded Flexible Cables

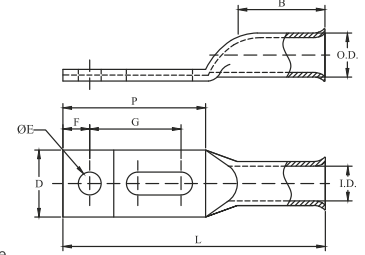
• For Crimping Tool details please refer to page no. 93



E-Code	Conductor AWG	Conductor MM ²	Bolt Size	Stud Hole ØE	Stud Hole Spacing	Dimensions							Color Code
						G	D	T	F	P	B	L	
ATLS400C38G1F	400 kcmil	-	3/8	0.41	1	1.00	1.39	0.18	0.38	1.81	1.97	4.29	Blue
ATLS400C12G134F			1/2	0.51	1-3/4	1.75			0.62	2.99		5.47	
ATLS500C38G1F	500 kcmil	240	3/8	0.41	1	1.00	1.54	0.22	0.38	1.81	2.24	4.57	Brown
ATLS500C12G134F			1/2	0.51	1-3/4	1.75			0.62	2.99		5.75	
ATLS600C38G1F	600 kcmil	300	3/8	0.41	1	1.00	1.72	0.25	0.38	1.81	2.24	4.61	Green
ATLS600C12G134F			1/2	0.51	1-3/4	1.75			0.62	2.99		5.79	
ATLS700C38G1F	700 kcmil	-	3/8	0.41	1	1.00	1.77	0.27	0.38	1.81	2.64	5.12	Pink
ATLS700C12G134F			1/2	0.51	1-3/4	1.75			0.62	2.99		6.30	
ATLS700C58G134F			5/8	0.67	1-3/4								
ATLS750C38G1F	750 kcmil	-	3/8	0.41	1	1.00	1.90	0.27	0.38	1.81	2.64	5.12	Black
ATLS750C12G134F			1/2	0.51	1-3/4	1.75			0.62	2.99		6.30	
ATLS800C12G134F	800 kcmil	400	1/2	0.51	1-3/4	1.75	1.93	0.27	0.62	2.99	2.64	6.30	Orange
ATLS800C58G134F			5/8	0.67	1-3/4								
ATLS1000C12G134F	1000 kcmil	500	1/2	0.51	1-3/4	1.75	2.18	0.33	0.62	2.99	3.15	6.81	White
ATLS1000C58G134F			5/8	0.67	1-3/4								

Note : Add Suffix "I" after E-Code for Inspection window feature

Copper Compression Lugs Long Flared Barrel - 2 Hole Slotted Tongue Break Away Feature With Or Without Inspection Window



Material : E-Copper
Finish : Electro-Tinned
Application : Up To 35 kVA
Voltage Rating : 600 Volts / 90°C

Features : Long Barrel for Better Mechanical & Electrical Properties
 Two Mounting Holes for Better Secureness
 Slotted Hole provides range for different Hole Spacings
 Break Away feature to allow field modification of the Lug from 2 Hole to 1 Hole
 Flared End Barrel for easy insertion of fine Stranded Flexible Cables

• For Crimping Tool details please refer to page no. 93

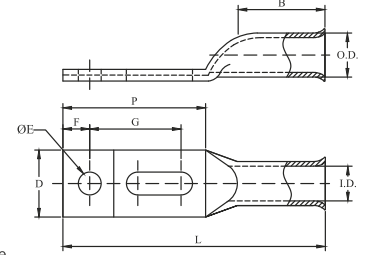
E-Code	Conductor AWG	Conductor MM ²	Bolt Size	Stud Hole ØE	Stud Hole Spacing	Dimensions							Color Code			
						G	D	T	F	P	B	L				
ATLSB8C10G58F	8 AWG	10	#10	0.21	5/8	0.63	0.42	0.08	0.28	1.26	0.81	2.19	Red			
ATLSB8C14G58F			1/4	5/8												
ATLSB8C14G34F			1/4	0.25	3/4	0.75	0.38	1.81	2.30							
ATLSB8C14G1F			1/4	1	1.00											
ATLSB8C516G134F			5/16	0.33	1 3/4	1.75	0.55	0.06	0.62	2.99	3.92					
ATLSB8C38G134F			3/8	0.41	1 3/4	1.00										
ATLSB8C38G1F			3/8	1	1.00	0.57	0.38	1.81	2.74							
ATLSB6C14G12F			6 AWG	-	1/4	0.25	1/2	0.50	0.42	0.08	0.28	1.14		0.98	2.24	Blue
ATLSB6C14G58F	5/8	0.63			1.26											
ATLSB6C14G34F	1/4	3/4			0.75	0.57	0.06	0.38	1.61	2.71						
ATLSB6C38G34F	3/8	3/4			0.75											
ATLSB6C38G78F	3/8	0.41			7/8	0.88	1.81	2.71								
ATLSB6C38G1F	3/8	1			1.00	0.38	1.81	2.91								
ATLSB6C12G134F	1/2	0.51			1 3/4	1.75	0.74	0.04	0.62	2.99	4.09					
ATLSB4C14G58F	4 AWG	-			1/4	0.25	5/8	0.63	0.49	0.09	0.28	1.26	0.98	2.36	Gray	
ATLSB4C14G34F			3/4	0.75	1.38											
ATLSB4C14G1F			1/4	1	1.00	0.57	0.07	0.38	1.81	2.91						
ATLSB4C516G1F			5/16	0.33	1											
ATLSB4C38G34F			3/8	0.41	3/4	0.75	1.62	2.71								
ATLSB4C38G1F			3/8	1	1.00	1.81	2.91									
ATLSB4C12G134F			1/2	0.51	1-3/4	1.75	0.74	0.05	0.62	2.99	4.09					
ATLSB3C14G58F			3 AWG	25	1/4	0.25	5/8	0.63	0.50	0.09	0.28	1.26	1.10	2.52		White
ATLSB3C14G34F	3/4	1.38														
ATLSB3C516G34F	5/16	0.33			3/4	0.75	0.55	0.08	0.32	1.61	2.87					
ATLSB3C38G34F	3/8	0.41			3/4	0.75										
ATLSB3C38G1F	3/8	1			1.00	0.59	0.07	0.38	1.61	2.87						
ATLSB3C12G134F	1/2	0.51			1 3/4	1.75	0.74	0.05	0.62	2.99	4.25					
ATLSB2C14G58F	2 AWG	35			1/4	0.25	5/8	0.63	0.60	0.10	0.28	1.26	1.10	2.52	Brown	
ATLSB2C14G34F					3/4		0.75	1.38								
ATLSB2C14G1F			1/4	1	1.00	0.38	1.81	3.07								
ATLSB2C516G34F			5/16	0.33	3/4				0.75							
ATLSB2C516G78F			5/16	0.33	7/8	0.88	0.32	1.61	1.10	2.87						
ATLSB2C38G34F			3/8	0.41	3/4	0.75										
ATLSB2C38G78F			3/8	0.41	7/8	0.88	0.38	1.81	3.07							
ATLSB2C38G1F			3/8	1	1.00											
ATLSB2C38G134F			3/8	1-3/4	1.75	0.62	2.99	4.25								
ATLSB2C12G134F			1/2	0.51	1-3/4				0.74	0.08						

Note : Add Suffix "I" after E-Code for Inspection window feature

Copper Compression Lugs Long Flared Barrel - 2 Hole Slotted Tongue Break Away Feature With Or Without Inspection Window

Material : E-Copper
Finish : Electro-Tinned
Application : Up To 35 kVA
Voltage Rating : 600 Volts / 90°C

Features : Long Barrel for Better Mechanical & Electrical Properties
 Two Mounting Holes for Better Secureness
 Slotted Hole provides range for different Hole Spacings
 Break Away feature to allow field modification of the Lug from 2 Hole to 1 Hole
 Flared End Barrel for easy insertion of fine Stranded Flexible Cables

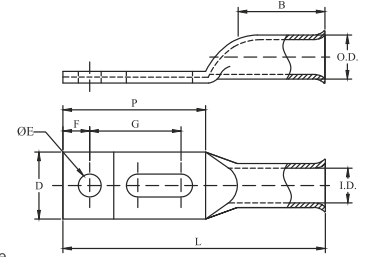


• For Crimping Tool details please refer to page no. 93

E-Code	Conductor AWG	Conductor MM ²	Bolt Size	Stud Hole ØE	Stud Hole Spacing	Dimensions						Color Code														
						G	D	T	F	P	B		L													
ATLSB1C14G58F	1 AWG	50	1/4	0.25	5/8	0.63	0.67	0.11	0.28	1.26	1.10	2.56	Green													
ATLSB1C14G34F			1/4		3/4									0.75	1.38	2.68										
ATLSB1C516G78F			5/16	0.33	7/8				0.88	0.32				1.61			2.91									
ATLSB1C38G78F			3/8	0.41	7/8										1.00	0.38		1.81	3.11							
ATLSB1C38G1F			3/8		1				1.75	0.62				2.99			4.29									
ATLSB1C12G134F			1/2	0.51	1-3/4										0.74	0.13		0.28	1.26	1.20	3.01					
ATLSB10C14G58F			1/0 AWG	-	1/4				0.25	5/8				0.74			0.13					0.28	1.26	1.20	3.01	Pink
ATLSB10C14G34F	1/4	3/4			0.75	1.38	2.78																			
ATLSB10C516G78F	5/16	0.33			7/8			0.88	0.32	1.61	3.21															
ATLSB10C38G34F	3/8	0.41			3/4	1.00	0.38					1.81	4.39													
ATLSB10C38G78F	3/8				7/8			1.75	0.62	2.99	4.39															
ATLSB10C38G1F	3/8	0.51			1	0.81	0.12					0.28	1.26									1.38	3.43			
ATLSB10C38G134F	3/8				1-3/4			1.75	0.62	2.99	4.61															
ATLSB10C12G134F	1/2	1-3/4	0.90	0.13	0.28									1.26	1.38	3.50										
ATLSB20C14G58F	2/0 AWG	70						1/4	0.25	5/8	0.81						0.12	0.28	1.26	1.38	3.43			Black		
ATLSB20C14G34F								1/4		3/4															0.75	1.38
ATLSB20C14G1F								1/4	0.41	1								1.00	0.38						1.81	
ATLSB20C38G1F								3/8		1																1.75
ATLSB20C38G134F						3/8	1-3/4	0.90	0.13	0.28		1.26	1.38					3.50								
ATLSB20C12G134F						1/2	1-3/4												1.75			0.62	2.99		4.61	
ATLSB30C14G58F			3/0 AWG	-	1/4	0.25	5/8							0.90	0.13	0.28										1.26
ATLSB30C14G34F	1/4	3/4			0.75		1.38				3.07															
ATLSB30C516G1F	5/16	0.33			1	1.00										0.38	1.81		4.69							
ATLSB30C38G1F	3/8	0.41			1		1.75				0.62									2.99	4.69					
ATLSB30C38G134F	3/8				1-3/4	1.00										0.13	0.28		1.26			1.42	3.54			
ATLSB30C12G134F	1/2	1-3/4			1.75		0.62	2.99	4.72																	
ATLSB40C14G58F	4/0 AWG	-								1/4	0.25	5/8	1.00					0.13		0.28	1.26			1.42	3.54	Purple
ATLSB40C14G34F			1/4	3/4	0.75		1.38	3.11																		
ATLSB40C38G1F			3/8	0.41	1				1.00	0.38	1.81	4.72														
ATLSB40C38G134F			3/8		1 3/4		1.75	0.62						2.99	4.72											
ATLSB40C12G134F			1/2	1-3/4	1.09				0.15	0.28	1.26	1.61								3.78						
ATLSB250C38G1F			250 kcmil	-		3/8	0.41	1						1.00	0.38	1.81	1.61		3.78							
ATLSB250C12G134F						1/2		1-3/4													1.75	0.62	2.99			
ATLSB300C38G1F	300 kcmil	150	3/8	0.41		1	1.00	0.38					1.81	1.97	4.13											
ATLSB300C12G134F			1/2			1-3/4										1.75	0.62	2.99	5.31							

Note : Add Suffix "I" after E-Code for Inspection window feature

Copper Compression Lugs Long Flared Barrel - 2 Hole Slotted Tongue Break Away Feature With Or Without Inspection Window



Material : E-Copper
Finish : Electro-Tinned
Application : Up To 35 kVA
Voltage Rating : 600 Volts / 90°C

Features : Long Barrel for Better Mechanical & Electrical Properties
 Two Mounting Holes for Better Secureness
 Slotted Hole provides range for different Hole Spacings
 Break Away feature to allow field modification of the Lug from 2 Hole to 1 Hole
 Flared End Barrel for easy insertion of fine Stranded Flexible Cables

• For Crimping Tool details please refer to page no. 93

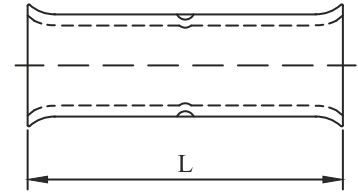
E-Code	Conductor AWG	Conductor MM ²	Bolt Size	Stud Hole ØE	Stud Hole Spacing	Dimensions						Color Code	
						G	D	T	F	P	B		L
ATLSB350C38G1F	350 kcmil	-	3/8	0.41	1	1.00	1.28	0.17	0.38	1.81	1.97	4.21	Red
ATLSB350C12G134F			1/2	0.51	1-3/4	1.75			0.62	2.99		5.39	
ATLSB400C38G1F	400 kcmil	-	3/8	0.41	1	1.00	1.39	0.18	0.38	1.81	1.97	4.29	Blue
ATLSB400C12G134F			1/2	0.51	1-3/4	1.75			0.62	2.99		5.47	
ATLSB500C38G1F	500 kcmil	240	3/8	0.41	1	1.00	1.54	0.22	0.38	1.81	2.24	4.57	Brown
ATLSB500C12G134F			1/2	0.51	1-3/4	1.75			0.62	2.99		5.75	
ATLSB600C38G1F	600 kcmil	300	3/8	0.41	1	1.00	1.72	0.25	0.38	1.81	2.24	4.61	Green
ATLSB600C12G134F			1/2	0.51	1-3/4	1.75			0.62	2.99		5.79	
ATLSB700C38G1F	700 kcmil	-	3/8	0.41	1	1.00	1.77	0.27	0.38	1.81	2.64	5.12	Pink
ATLSB700C12G134F			1/2	0.51	1-3/4	1.75			0.62	2.99		6.30	
ATLSB700C58G134F			5/8	0.67	1-3/4								
ATLSB750C38G1F	750 kcmil	-	3/8	0.41	1	1.00	1.90	0.27	0.38	1.81	2.64	5.12	Black
ATLSB750C12G134F			1/2	0.51	1-3/4	1.75			0.62	2.99		6.30	
ATLSB800C12G134F	800 kcmil	400	1/2	0.51	1-3/4	1.75	1.93	0.27	0.62	2.99	2.64	6.30	Orange
ATLSB800C58G134F			5/8	0.67	1-3/4								
ATLSB1000C12G134F	1000 kcmil	500	1/2	0.51	1-3/4	1.75	2.18	0.33	0.62	2.99	3.15	6.81	White
ATLSB1000C58G134F			5/8	0.67	1-3/4								

Note : Add Suffix "I" after E-Code for Inspection window feature

Copper Compression Connectors Standard Flared Barrel

Material : E-Copper
Finish : Electro-Tinned
Application : Up To 35 kVA
Voltage Rating : 600 Volts / 90°C

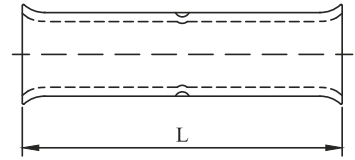
Features :
 Cable Stop Facility
 Flared End Barrel for easy insertion of fine Stranded Flexible Cables
 • For Crimping Tool details please refer to page no. 93



E-Code	Conductor AWG	Conductor MM ²	L	Color Code
AJS8CF	8 AWG	10	0.90	Red
AJS6CF	6 AWG	-	1.00	Blue
AJS4CF	4 AWG	-	1.00	Gray
AJS3CF	3 AWG	25	1.25	White
AJS2CF	2 AWG	35	1.25	Brown
AJS1CF	1 AWG	50	1.80	Green
AJS10CF	1/0 AWG	-	1.60	Pink
AJS20CF	2/0 AWG	70	1.75	Black
AJS30CF	3/0 AWG	-	1.75	Orange
AJS40CF	4/0 AWG	-	1.90	Purple
AJS250CF	250 kcmil	-	2.00	Yellow
AJS300CF	300 kcmil	150	2.10	White
AJS350CF	350 kcmil	-	2.10	Red
AJS400CF	400 kcmil	-	2.30	Blue
AJS500CF	500 kcmil	240	2.50	Brown
AJS600CF	600 kcmil	300	2.50	Green
AJS700CF	700 kcmil	-	2.87	Pink
AJS750CF	750 kcmil	-	3.20	Black
AJS800CF	800 kcmil	400	3.20	Orange
AJS1000CF	1000 kcmil	500	3.70	White

Copper Compression Connectors

Long Flared Barrel



Material : E-Copper
Finish : Electro-Tinned
Application : Up To 35 kVA
Voltage Rating : 600 Volts / 90°C

Features : Cable Stop Facility
 Long Barrel for Better Mechanical & Electrical Properties
 Flared End Barrel for easy insertion of fine Stranded Flexible Cables
 • For Crimping Tool details please refer to page no. 93

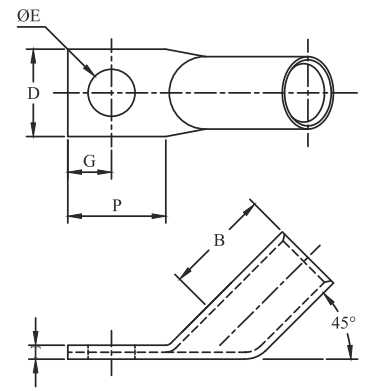
E-Code	Conductor AWG	Conductor MM ²	L	Color Code
AJL8CF	8 AWG	10	1.75	Red
AJL6CF	6 AWG	-	1.75	Blue
AJL4CF	4 AWG	-	1.75	Gray
AJL3CF	3 AWG	25	1.90	White
AJL2CF	2 AWG	35	1.90	Brown
AJL1CF	1 AWG	50	2.20	Green
AJL10CF	1/0 AWG	-	2.20	Pink
AJL20CF	2/0 AWG	70	2.25	Black
AJL30CF	3/0 AWG	-	2.25	Orange
AJL40CF	4/0 AWG	-	2.75	Purple
AJL250CF	250 kcmil	-	3.25	Yellow
AJL300CF	300 kcmil	150	3.50	White
AJL350CF	350 kcmil	-	3.75	Red
AJL400CF	400 kcmil	-	3.75	Blue
AJL500CF	500 kcmil	240	4.25	Brown
AJL600CF	600 kcmil	300	4.50	Green
AJL700CF	700 kcmil	-	4.60	Pink
AJL750CF	750 kcmil	-	4.75	Black
AJL800CF	800 kcmil	400	4.75	Orange
AJL1000CF	1000 kcmil	500	6.12	White

Copper Compression Lugs Short Barrel - 1 Hole Tongue - 45° Angle

Material : E-Copper
Finish : Electro-Tinned
Application : Up To 35 kVA
Voltage Rating : 600 Volts / 90°C

Features :
 With 45° Bend

• For Crimping Tool details please refer to page no. 93



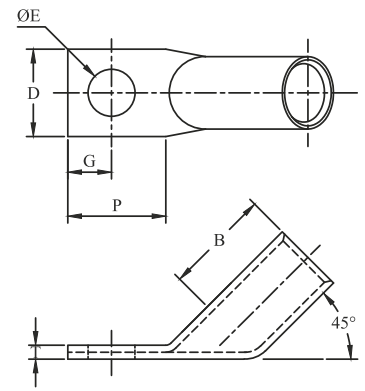
E-Code	Conductor AWG	Conductor MM ²	Bolt Size	Stud Hole ØE	Dimensions					Color Code
					D	T	G	P	B	
AT4S8C10	8 AWG	10	#10	0.21	0.42	0.08	0.28	0.59	0.44	Red
AT4S8C14			1/4	0.25						
AT4S6C10	6 AWG	-	#10	0.21	0.42	0.08	0.30	0.67	0.71	Blue
AT4S6C14			1/4	0.25						
AT4S6C516			5/16	0.33	0.49	0.07				
AT4S4C10	4 AWG	-	#10	0.21	0.49	0.08	0.31	0.67	0.71	Gray
AT4S4C14			1/4	0.25						
AT4S4C516			5/16	0.33	0.67	0.05				
AT4S4C38			3/8	0.41						
AT4S4C12			1/2	0.51						
AT4S2C14	2 AWG	35	1/4	0.25	0.60	0.10	0.37	0.81	0.83	Brown
AT4S2C516			5/16	0.33						
AT4S2C38			3/8	0.41						
AT4S1C14	1 AWG	50	1/4	0.25	0.67	0.11	0.37	0.81	0.83	Green
AT4S1C516			5/16	0.33						
AT4S1C38			3/8	0.41						
AT4S10C14	1/0 AWG	-	1/4	0.25	0.74	0.13	0.37	0.81	0.83	Pink
AT4S10C516			5/16	0.33						
AT4S10C38			3/8	0.41						
AT4S10C12			1/2	0.51						
AT4S20C14	2/0 AWG	70	1/4	0.25	0.81	0.12	0.47	1.06	0.94	Black
AT4S20C516			5/16	0.33						
AT4S20C38			3/8	0.41						
AT4S20C12			1/2	0.51						
AT4S30C14	3/0 AWG	-	1/4	0.25	0.90	0.13	0.47	1.06	0.98	Orange
AT4S30C516			5/16	0.33						
AT4S30C38			3/8	0.41						
AT4S30C12			1/2	0.51						
AT4S40C14	4/0 AWG	-	1/4	0.25	1.00	0.13	0.47	1.06	0.98	Purple
AT4S40C516			5/16	0.33						
AT4S40C38			3/8	0.41						
AT4S40C12			1/2	0.51						
AT4S250C38	250 kcmil	-	3/8	0.41	1.09	0.15	0.47	1.06	1.06	Yellow
AT4S250C12			1/2	0.51						
AT4S300C12	300 kcmil	150	1/2	0.51	1.19	0.15	0.52	1.06	1.06	White
AT4S300C58			5/8	0.67				1.38		

Copper Compression Lugs Short Barrel - 1 Hole Tongue - 45° Angle

Material : E-Copper
Finish : Electro-Tinned
Application : Up To 35 kVA
Voltage Rating : 600 Volts / 90°C

Features :
 With 45° Bend

• For Crimping Tool details please refer to page no. 93



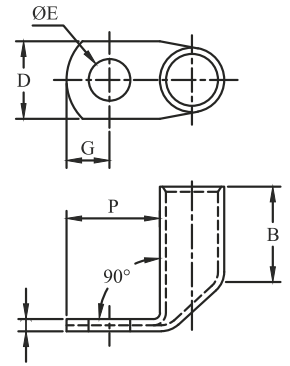
E-Code	Conductor AWG	Conductor MM ²	Bolt Size	Stud Hole ØE	Dimensions					Color Code
					D	T	G	P	B	
AT4S350C12	350 kcmil	-	1/2	0.51	1.28	0.17	0.52	1.06	1.10	Red
AT4S350C58			5/8	0.67				1.38		
AT4S400C12	400 kcmil	-	1/2	0.51	1.39	0.18	0.52	1.46	1.18	Blue
AT4S400C58			5/8	0.67				1.46		
AT4S500C12	500 kcmil	240	1/2	0.51	1.54	0.22	0.52	1.38	1.38	Brown
AT4S500C58			5/8	0.67				1.38		
AT4S600C12	600 kcmil	300	1/2	0.51	1.72	0.25	0.52	1.46	1.50	Green
AT4S600C58			5/8	0.67			0.69			
AT4S750C58	750 kcmil	-	5/8	0.67	1.90	0.27	0.69	1.85	1.85	Black

Copper Compression Lugs Short Barrel - 1 Hole Tongue - 90° Angle

Material : E-Copper
Finish : Electro-Tinned
Application : Up To 35 kVA
Voltage Rating : 600 Volts / 90°C

Features :
 With 90°Bend

• For Crimping Tool details please refer to page no. 93



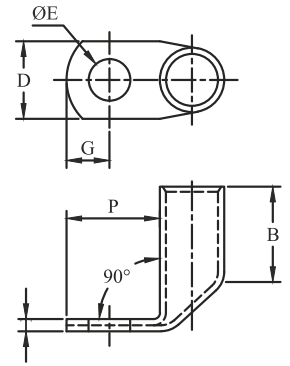
E-Code	Conductor AWG	Conductor MM ²	Bolt Size	Stud Hole ØE	Dimensions					Color Code
					D	T	G	P	B	
AT9S8C10	8 AWG	10	#10	0.21	0.42	0.08	0.28	0.59	0.44	Red
AT9S8C14			1/4	0.25						
AT9S6C10	6 AWG	-	#10	0.21	0.42	0.08	0.30	0.67	0.71	Blue
AT9S6C14			1/4	0.25						
AT9S6C516			5/16	0.33	0.49	0.07				
AT9S4C10	4 AWG	-	#10	0.21	0.49	0.08	0.31	0.67	0.71	Gray
AT9S4C14			1/4	0.25						
AT9S4C516			5/16	0.33	0.55	0.07				
AT9S4C38			3/8	0.41						
AT9S4C12			1/2	0.51						
AT9S2C14	2 AWG	35	1/4	0.25	0.60	0.10	0.37	0.81	0.83	Brown
AT9S2C516			5/16	0.33						
AT9S2C38			3/8	0.41						
AT9S1C14	1 AWG	50	1/4	0.25	0.67	0.11	0.37	0.81	0.83	Green
AT9S1C516			5/16	0.33						
AT9S1C38			3/8	0.41						
AT9S10C14	1/0 AWG	-	1/4	0.25	0.74	0.13	0.37	0.81	0.83	Pink
AT9S10C516			5/16	0.33						
AT9S10C38			3/8	0.41						
AT9S10C12			1/2	0.51						
AT9S20C14	2/0 AWG	70	1/4	0.25	0.81	0.12	0.47	1.06	0.94	Black
AT9S20C516			5/16	0.33						
AT9S20C38			3/8	0.41						
AT9S20C12			1/2	0.51						
AT9S30C14	3/0 AWG	-	1/4	0.25	0.90	0.13	0.47	1.06	0.98	Orange
AT9S30C516			5/16	0.33						
AT9S30C38			3/8	0.41						
AT9S30C12			1/2	0.51						
AT9S40C14	4/0 AWG	-	1/4	0.25	1.00	0.13	0.47	1.06	0.98	Purple
AT9S40C516			5/16	0.33						
AT9S40C38			3/8	0.41						
AT9S40C12			1/2	0.51						
AT9S250C38	250 kcmil	-	3/8	0.41	1.09	0.15	0.47	1.06	1.06	Yellow
AT9S250C12			1/2	0.51						

Copper Compression Lugs Short Barrel - 1 Hole Tongue - 90° Angle

Material : E-Copper
Finish : Electro-Tinned
Application : Up To 35 kVA
Voltage Rating : 600 Volts / 90°C

Features :
 With 90° Bend

• For Crimping Tool details please refer to page no. 93



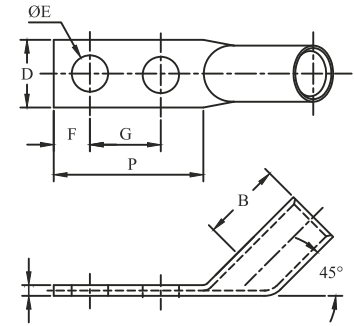
E-Code	Conductor AWG	Conductor MM ²	Bolt Size	Stud Hole ØE	Dimensions					Color Code
					D	T	G	P	B	
AT9S300C12	300 kcmil	150	1/2	0.51	1.19	0.15	0.52	1.06	1.06	White
AT9S300C58			5/8	0.67				1.38		
AT9S350C12	350 kcmil	-	1/2	0.51	1.28	0.17	0.52	1.06	1.10	Red
AT9S350C58			5/8	0.67				1.38		
AT9S400C12	400 kcmil	-	1/2	0.51	1.39	0.18	0.52	1.46	1.18	Blue
AT9S400C58			5/8	0.67				1.46		
AT9S500C12	500 kcmil	240	1/2	0.51	1.54	0.22	0.52	1.38	1.38	Brown
AT9S500C58			5/8	0.67				1.38		
AT9S600C12	600 kcmil	300	1/2	0.51	1.72	0.25	0.52	1.46	1.50	Green
AT9S600C58			5/8	0.67				1.46		
AT9S750C58	750 kcmil	-	5/8	0.67	1.90	0.27	0.69	1.85	1.85	Black

Copper Compression Lugs Short Barrel - 2 Hole Tongue - 45° Angle

Material : E-Copper
Finish : Electro-Tinned
Application : Up To 35 kVA
Voltage Rating : 600 Volts / 90°C

Features :
 With 45° Bend
 Two Mounting Holes for Better Secureness

• For Crimping Tool details please refer to page no. 93



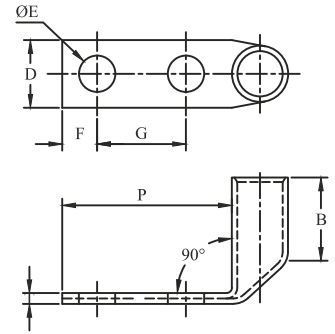
E-Code	Conductor AWG	Conductor MM ²	Bolt Size	Stud Hole ØE	Stud Hole Spacing	Dimensions						Color Code
						G	D	T	F	P	B	
AT4S8C10G58	8 AWG	10	#10	0.21	5/8	0.63	0.42	0.08	0.28	1.26	0.44	Red
AT4S6C14G58	6 AWG	-	1/4	0.25	5/8	0.63	0.42	0.08	0.28	1.26	0.71	Blue
AT4S6C14G1			1/4		1							
AT4S6C38G1			3/8	1								
AT4S4C14G58	4 AWG	-	1/4	0.25	5/8	0.63	0.49	0.09	0.28	1.26	0.75	Gray
AT4S4C14G1			1/4		1							
AT4S4C38G1			3/8	1								
AT4S2C14G58	2 AWG	35	1/4	0.25	5/8	0.63	0.60	0.10	1.26	1.38	0.83	Brown
AT4S2C14G34			1/4		3/4							
AT4S2C14G1			1/4	1	1.00							
AT4S2C516G34			5/16	3/4		0.75						
AT4S2C38G1			3/8	1					1.00			
AT4S1C14G58	1 AWG	50	1/4	0.25	5/8	0.63	0.67	0.11	0.28	1.26	0.83	Green
AT4S10C516G78	1/0 AWG	-	5/16	0.33	7/8	0.87	0.74	0.13	0.32	1.62	0.83	Pink
AT4S10C38G1			3/8	0.41	1	1.00			0.38	1.81		
AT4S20C38G1	2/0 AWG	70	3/8	0.41	1	1.00	0.81	0.12	0.38	1.81	0.94	Black
AT4S20C12G134			1/2	0.51	1 3/4	1.75			0.62	2.99		
AT4S30C38G1	3/0 AWG	-	3/8	0.41	1	1.00	0.90	0.13	0.38	1.81	0.98	Orange
AT4S30C12G134			1/2	0.51	1 3/4	1.75			0.62	2.99		
AT4S40C38G1	4/0 AWG	-	3/8	0.41	1	1.00	1.00	0.13	0.38	1.81	0.98	Purple
AT4S40C12G134			1/2	0.51	1 3/4	1.75			0.62	2.99		
AT4S250C38G1	250 kcmil	-	3/8	0.41	1	1.00	1.09	0.15	0.38	1.81	1.06	Yellow
AT4S250C12G134			1/2	0.51	1 3/4	1.75			0.62	2.99		
AT4S300C12G134	300 kcmil	150	1/2	0.51	1 3/4	1.75	1.19	0.15	0.62	2.99	1.06	White
AT4S350C38G1	350 kcmil	-	3/8	0.41	1	1.00	1.28	0.17	0.38	1.81	1.10	Red
AT4S350C12G134			1/2	0.51	1 3/4	1.75			0.62	2.99		
AT4S400C12G134	400 kcmil	-	1/2	0.51	1 3/4	1.75	1.39	0.18	0.62	2.99	1.18	Blue
AT4S500C38G1	500 kcmil	240	3/8	0.41	1	1.00	1.54	0.22	0.38	1.81	1.38	Brown
AT4S500C12G134			1/2	0.51	1 3/4	1.75			0.62	2.99		
AT4S600C38G134	600 kcmil	300	3/8	0.41	1 3/4	1.75	1.72	0.25	0.62	2.99	1.50	Green
AT4S600C12G134			1/2	0.51	1 3/4							
AT4S750C12G134	750 kcmil	-	1/2	0.51	1 3/4	1.75	1.90	0.27	0.62	2.99	1.85	Black

Copper Compression Lugs Short Barrel - 2 Hole Tongue - 90° Angle

Material : E-Copper
Finish : Electro-Tinned
Application : Up To 35 kVA
Voltage Rating : 600 Volts / 90°C

Features :
 With 90° Bend
 Two Mounting Holes for Better Secureness

• For Crimping Tool details please refer to page no. 93



E-Code	Conductor AWG	Conductor MM ²	Bolt Size	Stud Hole ØE	Stud Hole Spacing	Dimensions						Color Code
						G	D	T	F	P	B	
AT9S8C10G58	8 AWG	10	#10	0.21	5/8	0.63	0.42	0.08	0.28	1.26	0.44	Red
AT9S6C14G58	6 AWG	-	1/4	0.25	5/8	0.63	0.42	0.08	0.28	1.26	0.71	Blue
AT9S6C14G1			1		1.00					1.81		
AT9S6C38G1			3/8	0.41	1	0.49	0.07	0.38	1.81			
AT9S4C14G58	4 AWG	-	1/4	0.25	5/8	0.63	0.49	0.09	0.28	1.26	0.75	Gray
AT9S4C14G1			1		1.00					1.81		
AT9S4C38G1			3/8	0.41	1	0.49	0.09	0.28	1.81			
AT9S2C14G58	2 AWG	35	1/4	0.25	5/8	0.63	0.60	0.10	0.28	1.26	0.83	Brown
AT9S2C14G34			3/4		0.75					1.38		
AT9S2C14G1			1	1.00	1.81							
AT9S2C516G34			5/16	0.33	3/4	0.75	0.32	1.61				
AT9S2C38G1			3/8	0.41	1	1.00	0.38	1.81				
AT9S1C14G58	1 AWG	50	1/4	0.25	5/8	0.63	0.67	0.11	0.28	1.26	0.83	Green
AT9S10C516G78	1/0 AWG	-	5/16	0.33	7/8	0.87	0.74	0.13	0.32	1.62	0.83	Pink
AT9S10C38G1			3/8	0.41	1	1.00			0.38	1.81		
AT9S20C38G1	2/0 AWG	70	3/8	0.41	1	1.00	0.81	0.12	0.38	1.81	0.94	Black
AT9S20C12G134			1/2	0.51	1 3/4	1.75			0.62	2.99		
AT9S30C38G1	3/0 AWG	-	3/8	0.41	1	1.00	0.90	0.13	0.38	1.81	0.98	Orange
AT9S30C12G134			1/2	0.51	1 3/4	1.75			0.62	2.99		
AT9S40C38G1	4/0 AWG	-	3/8	0.41	1	1.00	1.00	0.13	0.38	1.81	0.98	Purple
AT9S40C12G134			1/2	0.51	1 3/4	1.75			0.62	2.99		
AT9S250C38G1	250 kcmil	-	3/8	0.41	1	1.00	1.09	0.15	0.38	1.81	1.06	Yellow
AT9S250C12G134			1/2	0.51	1 3/4	1.75			0.62	2.99		
AT9S300C12G134	300 kcmil	150	1/2	0.51	1 3/4	1.75	1.19	0.15	0.62	2.99	1.06	White
AT9S350C38G1	350 kcmil	-	3/8	0.41	1	1.00	1.28	0.17	0.38	1.81	1.10	Red
AT9S350C12G134			1/2	0.51	1 3/4	1.75			0.62	2.99		
AT9S400C12G134	400 kcmil	-	1/2	0.51	1 3/4	1.75	1.39	0.18	0.62	2.99	1.18	Blue
AT9S500C38G1	500 kcmil	240	3/8	0.41	1	1.00	1.54	0.22	0.38	1.81	1.38	Brown
AT9S500C12G134			1/2	0.51	1 3/4	1.75			0.62	2.99		
AT9S600C38G134	600 kcmil	300	3/8	0.41	1 3/4	1.75	1.72	0.25	0.62	2.99	1.50	Green
AT9S600C12G134			1/2	0.51	1 3/4				0.62	2.99		
AT9S750C12G134	750 kcmil	-	1/2	0.51	1 3/4	1.75	1.90	0.27	0.62	2.99	1.85	Black

Aluminium Compression Lugs - Long Barrel - 1 Hole Tongue

Material : Electrolytic Grade AL 99.5

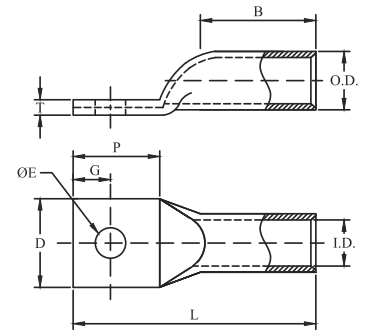
Finish : Natural or Electro-Tinned for Dual Rating

Application : Up To 35 kVA

Voltage Rating: 600 Volts / 90°C

Features :

Barrel pre-filled with Oxide Inhibiting Compound & sealed with Plastic Cap



• For Crimping Tool details please refer to page no. 94

E-Code	Conductor AWG	Conductor MM ²	Bolt Size	Stud Hole ØE	Dimensions						Color Code
					D	T	G	P	B	L	
ATL8A14	8 AWG	10	1/4	0.25	0.63	0.09	0.31	0.81	0.56	1.81	Blue
ATL8A516			5/16	0.33							
ATL8A38			3/8	0.41							
ATL6A14	6 AWG	-	1/4	0.25	0.57	0.10	0.38	0.88	0.86	2.01	Gray
ATL6A516			5/16	0.33							
ATL6A38			3/8	0.41	0.65	0.08				2.05	
ATL4A14	4 AWG	-	1/4	0.25	0.57	0.19	0.38	0.88	1.10	2.31	Green
ATL4A516			5/16	0.33							
ATL4A38			3/8	0.41	0.65	0.15				2.39	
ATL2A14	2 AWG	35	1/4	0.25	0.71	0.22	0.38	0.88	1.20	2.50	Pink
ATL2A516			5/16	0.33							
ATL2A38			3/8	0.41							
ATL2A12			1/2	0.51							
ATL1A14	1 AWG	50	1/4	0.25	0.73	0.18	0.38	0.88	1.20	2.50	Gold
ATL1A516			5/16	0.33							
ATL1A38			3/8	0.41							
ATL1A12			1/2	0.51							
ATL10A14	1/0 AWG	-	1/4	0.25	0.85	0.24	0.50	0.93	1.20	2.81	Tan
ATL10A516			5/16	0.33							
ATL10A38			3/8	0.41							
ATL10A12			1/2	0.51							
ATL20A14	2/0 AWG	70	1/4	0.25	0.94	0.24	0.50	0.12	1.30	2.81	Olive
ATL20A516			5/16	0.33							
ATL20A38			3/8	0.41							
ATL20A12			1/2	0.51							
ATL30A14	3/0 AWG	-	1/4	0.25	1.03	0.28	0.50	0.12	1.40	3.00	Ruby
ATL30A516			5/16	0.33							
ATL30A38			3/8	0.41							
ATL30A12			1/2	0.51							
ATL40A14	4/0 AWG	-	1/4	0.25	1.15	0.29	0.56	1.31	1.40	3.43	White
ATL40A516			5/16	0.33							
ATL40A38			3/8	0.41							
ATL40A12			1/2	0.51							
ATL40A58			5/8	0.67							

Aluminium Compression Lugs - Long Barrel - 1 Hole Tongue

Material : Electrolytic Grade AL 99.5

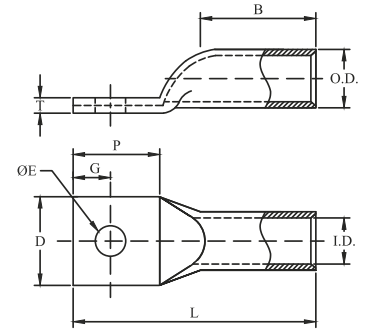
Finish : Natural or Electro-Tinned for Dual Rating

Application : Up To 35 kVA

Voltage Rating: 600 Volts / 90°C

Features :

Barrel pre-filled with Oxide Inhibiting Compound & sealed with Plastic Cap



• For Crimping Tool details please refer to page no. 94

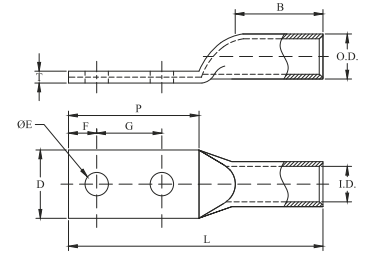
E-Code	Conductor AWG	Conductor MM ²	Bolt Size	Stud Hole ØE	Dimensions						Color Code
					D	T	G	P	B	L	
ATL250A516	250 kcmil	-	5/16	0.33	1.26	0.32	0.63	1.31	1.50	3.50	Red
ATL250A38			3/8	0.41							
ATL250A12			1/2	0.51							
ATL300A516	300 kcmil	150	5/16	0.33	1.37	0.35	0.63	1.50	1.60	4.00	Blue
ATL300A38			3/8	0.41							
ATL300A12			1/2	0.51							
ATL350A38	350 kcmil	-	3/8	0.41	1.52	0.39	0.69	1.50	1.90	4.25	Brown
ATL350A12			1/2	0.51							
ATL400A38	400 kcmil	-	3/8	0.41	1.61	0.42	0.69	1.50	2.30	4.68	Green
ATL400A12			1/2	0.51							
ATL500A38	500 kcmil	240	3/8	0.41	1.79	0.47	0.75	1.50	2.50	4.75	Pink
ATL500A12			1/2	0.51							
ATL500A58			5/8	0.67							
ATL600A12	600 kcmil	300	1/2	0.51	1.96	0.51	0.75	1.87	2.60	5.12	Black
ATL600A58			5/8	0.67							
ATL700A12	700 kcmil	-	1/2	0.51	2.07	0.52	0.75	2.00	2.87	5.39	Purple
ATL700A58			5/8	0.67							
ATL750A12	750 kcmil	-	1/2	0.51	2.19	0.55	0.94	2.00	3.20	6.12	Yellow
ATL750A58			5/8	0.67							
ATL800A12	800 kcmil	400	1/2	0.51	2.29	0.57	1.00	2.50	3.34	6.39	Gray
ATL800A58			5/8	0.67							
ATL900A12	900 kcmil	-	1/2	0.51	2.35	0.57	1.00	2.50	3.34	6.39	Gray
ATL900A58			5/8	0.67							
ATL1000A12	1000 kcmil	500	1/2	0.51	2.50	0.59	1.00	2.50	3.20	6.12	Brown
ATL1000A58			5/8	0.67							

Aluminium Compression Lugs - Long Barrel - 2 Hole Tongue

Material : Electrolytic Grade AL 99.5
Finish : Natural or Electro-Tinned for Dual Rating
Application : Up To 35 kVA
Voltage Rating: 600 Volts / 90°C

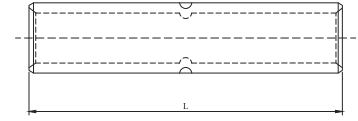
Features : Two Mounting Holes for Better Secureness
 Barrel pre-filled with Oxide Inhibiting Compound & sealed with Plastic Cap

• For Crimping Tool details please refer to page no. 94



E-Code	Conductor AWG	Conductor MM ²	Bolt Size	Stud Hole ØE	Stud Hole Spacing	Dimensions						Color Code			
						G	D	T	F	P	B		L		
ATL10A38G1	1/0 AWG	-	3/8	0.41	1	1.00	0.85	0.24	0.38	1.87	1.20	3.50	Tan		
ATL10A12G1			1/2	0.51	1										
ATL10A12G134			1/2	0.51	1 3/4										
ATL10A38G134			3/8	0.41	1 3/4										
ATL20A12G134	2/0 AWG	70	1/2	0.51	1 3/4	1.75	0.94	0.24	0.63	3.12	1.30	4.80	Olive		
ATL30A12G134	3/0 AWG	-	1/2		1 3/4		1.03	0.28			1.40	5.00	Ruby		
ATL40A12G134	4/0 AWG	-	1/2		1 3/4		1.15	0.29			5.25	White			
ATL250A12G134	250 kcmil	-	1/2		1 3/4		1.26	0.32			1.50	5.31	Red		
ATL300A12G134	300 kcmil	150	1/2		1 3/4		1.37	0.35			1.60	5.50	Blue		
ATL350A12G134	350 kcmil	-	1/2		1 3/4		1.52	0.39			1.90	5.87	Brown		
ATL400A12G134	400 kcmil	-	1/2		1 3/4		1.61	0.42			2.30	6.43	Green		
ATL500A12G134	500 kcmil	240	1/2		1 3/4		1.79	0.47			2.50	6.50	Pink		
ATL600A12G134	600 kcmil	300	1/2		1 3/4		1.96	0.51			2.60	6.75	Black		
ATL700A12G134	700 kcmil	-	1/2		1 3/4		2.00	0.52			2.87	7.00	Purple		
ATL750A12G134	750 kcmil	-	1/2		1 3/4		2.19	0.55			3.20	7.37	Yellow		
ATL800A12G134	800 kcmil	400	1/2		1 3/4		2.29	0.57			3.35	7.56	Gray		
ATL900A12G134	900 kcmil	-	1/2		1 3/4		2.35					7.68	Gray		
ATL1000A12G134	1000 kcmil	500	1/2		1 3/4		2.50	0.62			0.75	3.22	3.62	7.87	Brown

Long Length Compression Splices - Aluminium



Material : Electrolytic Grade AL 99.5

Finish : Natural or Electro-Tinned for Dual Rating

Application : Up To 35 kVA

Voltage Rating: 600 Volts / 90°C

Features : Cable Stop Facility

Barrel pre-filled with Oxide Inhibiting

Compound & sealed with Plastic Cap

• For Crimping Tool details please refer to page no. 94

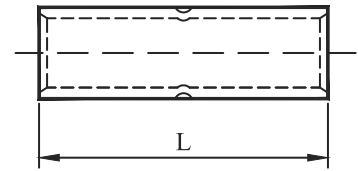
E-Code	Conductor AWG	Conductor MM ²	L	Color Code
AJL8A	8 AWG	10	1.38	Blue
AJL6A	6 AWG	-	1.63	Gray
AJL4A	4 AWG	-	2.00	Green
AJL2A	2 AWG	35	2.38	Pink
AJL1A	1 AWG	50	2.38	Gold
AJL10A	1/0 AWG	-	2.50	Tan
AJL20A	2/0 AWG	70	2.63	Olive
AJL30A	3/0 AWG	-	2.88	Ruby
AJL40A	4/0 AWG	-	3.13	White
AJL250A	250 kcmil	-	3.25	Red
AJL300A	300 kcmil	150	3.25	Blue
AJL350A	350 kcmil	-	3.88	Brown
AJL400A	400 kcmil	-	4.88	Green
AJL500A	500 kcmil	240	5.00	Pink
AJL600A	600 kcmil	300	5.13	Black
AJL700A	700 kcmil	-	5.24	Purple
AJL750A	750 kcmil	-	5.38	Yellow
AJL800A	800 kcmil	400	5.51	Gray
AJL900A	900 kcmil	-	5.75	Gray
AJL1000A	1000 kcmil	500	5.98	Brown

Copper Heavy Duty Starter Splices

Material : E-Copper
Finish : Electro-Tinned

Features :
 Cable Stop Facility

• For Crimping Tool details please refer to page no. 93



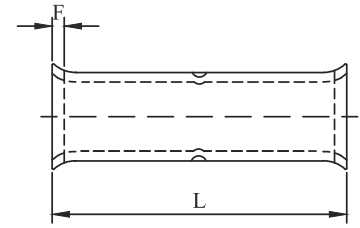
E-Code	Conductor AWG	Conductor MM ²	L	Color Code
AJHDS8C	8 AWG	10	1.181	Red
AJHDS6C	6 AWG	-	1.377	Blue
AJHDS4C	4 AWG	-	1.574	Grey
AJHDS2C	1-2 AWG	35	1.968	Pink
AJHDS10C	1/0 AWG	-	1.968	Black
AJHDS20C	2/0 AWG	70	2.165	Orange
AJHDS30C	3/0 AWG	-	3.362	Purple
AJHDS40C	4/0 AWG	-	2.559	Yellow

Copper Standard Wall Starter Splices

Material : E-Copper
Finish : Natural or Electro-Tinned
Application : Up To 35 kVA
Voltage Rating : 600 Volts / 90°C

Features :
 Cable Stop Facility
 Used with Crimping or Soldering Style

• For Crimping Tool details please refer to page no. 93

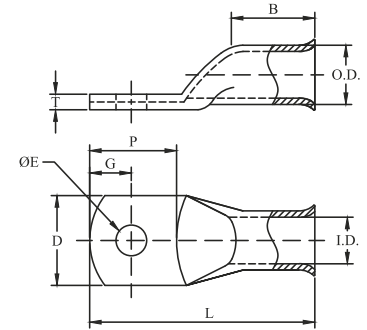


E-Code Copper Finish	E-Code Tin Finish	Conductor AWG	Conductor MM ²	Length (L)	Flare Length (F)
AJWS8B	AJWSS8C	8 AWG	10	1.100	0.100
AJWS6B	AJWSS6C	6 AWG	-	1.150	
AJWS4B	AJWSS4C	4 AWG	-	1.220	
AJWS2B	AJWSS2C	2 AWG	35	1.340	
AJWS1B	AJWSS1C	1 AWG	50		
AJWS10B	AJWSS10C	1/0 AWG	-	1.560	
AJWS20B	AJWSS20C	2/0 AWG	70	1.810	
AJWS30B	AJWSS30C	3/0 AWG	-	1.900	
AJWS40B	AJWSS40C	4/0 AWG	-	2.460	

Copper Standard Wall Starter Lugs

Material : E-Copper
Finish : Natural or Electro-Tinned
Application : Up To 35 kVA
Voltage Rating : 600 Volts / 90°C

Features :
 Cable Stop Facility
 Used with Crimping or Soldering Style



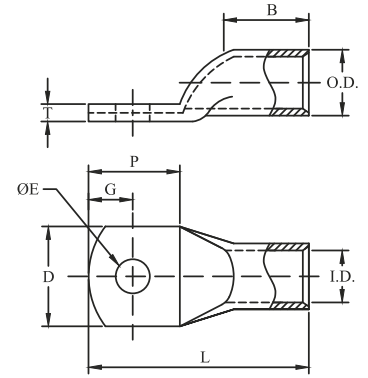
• For Crimping Tool details please refer to page no. 93

E-Code Copper Finish	E-Code Tin Finish	Conductor AWG	Conductor MM ²	Bolt Size	Stud Hole ØE	Dimensions							
						D	T	G	P	B	L		
ATWS8B10	ATWS8C10	8 AWG	10	#10	0.21	0.46	0.07	0.34	0.68	0.55	1.26		
ATWS8B14	ATWS8C14			1/4								0.25	
ATWS8B516	ATWS8C516			5/16								0.33	
ATWS8B38	ATWS8C38			3/8								0.41	
ATWS8B12	ATWS8C12			1/2								0.51	0.71
ATWS6B10	ATWS6C10	6 AWG	-	#10	0.21	0.54	0.07	0.30	0.70	0.55	1.29		
ATWS6B14	ATWS6C14			1/4								0.25	
ATWS6B516	ATWS6C516			5/16								0.33	
ATWS6B38	ATWS6C38			3/8								0.41	
ATWS6B12	ATWS6C12			1/2								0.51	0.71
ATWS4B10	ATWS4C10	4 AWG	-	#10	0.21	0.54	0.07	0.29	0.80	0.58	1.60		
ATWS4B14	ATWS4C14			1/4								0.25	
ATWS4B516	ATWS4C516			5/16								0.33	
ATWS4B38	ATWS4C38			3/8								0.41	0.57
ATWS4B12	ATWS4C12			1/2								0.51	0.71
ATWS2B14	ATWS2C14	2 AWG	35	1/4	0.25	0.65	0.07	0.33	0.77	0.67	1.73		
ATWS2B516	ATWS2C516			5/16								0.33	
ATWS2B38	ATWS2C38			3/8								0.41	
ATWS2B12	ATWS2C12			1/2								0.51	0.71
ATWS1B14	ATWS1C14	1 AWG	50	1/4	0.25	0.67	0.09	0.34	0.80	0.73	1.82		
ATWS1B516	ATWS1C516			5/16								0.33	
ATWS1B38	ATWS1C38			3/8								0.41	
ATWS1B12	ATWS1C12			1/2								0.51	0.71
ATWS10B14	ATWS10C14	1/0 AWG	-	1/4	0.25	0.73	0.09	0.40	0.84	0.76	1.91		
ATWS10B516	ATWS10C516			5/16								0.33	
ATWS10B38	ATWS10C38			3/8								0.41	
ATWS10B12	ATWS10C12			1/2								0.51	
ATWS20B14	ATWS20C14	2/0 AWG	70	1/4	0.25	0.82	0.10	0.44	0.96	0.85	2.20		
ATWS20B516	ATWS20C516			5/16								0.33	
ATWS20B38	ATWS20C38			3/8								0.41	
ATWS20B12	ATWS20C12			1/2								0.51	
ATWS30B14	ATWS30C14	3/0 AWG	-	1/4	0.25	0.90	0.11	0.49	0.99	0.85	2.25		
ATWS30B516	ATWS30C516			5/16								0.33	
ATWS30B38	ATWS30C38			3/8								0.41	
ATWS30B12	ATWS30C12			1/2								0.51	
ATWS40B38	ATWS40C38	4/0 AWG	-	3/8	0.41	1.04	0.11	0.53	1.12	0.91	2.61		
ATWS40B12	ATWS40C12			1/2								0.51	

Copper Heavy Duty Starter Lugs

Material : E-Copper
Finish : Electro-Tinned

• For Crimping Tool details please refer to page no. 93



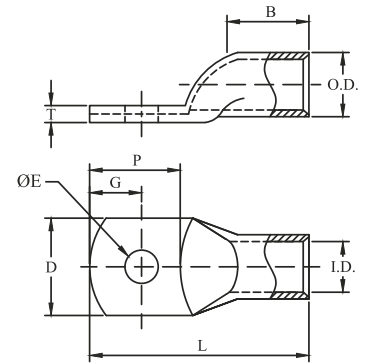
E-Code	Conductor AWG	Conductor MM ²	Bolt Size	Stud Hole ØE	Dimensions						Marking Information	
					D	T	G	P	B	L		
ATHDS8C14	8 AWG	10	1/4	0.25	0.47	0.08	0.26	0.55	0.39	1.12	8 M-K-RED	
ATHDS8C516			5/16	0.33	0.59	0.05	0.39	0.79		1.38		
ATHDS8C38			3/8	0.41	0.67	0.05	0.47	0.94		1.54		
ATHDS8C12			1/2	0.51	0.75	0.04	0.51	1.02		1.65		
ATHDS6C14	6 AWG	-	1/4	0.25	0.47	0.11	0.25	0.54	0.51	1.31	6 K-K-BU	
ATHDS6C516			5/16	0.33	0.59	0.08	0.34	0.71		1.48		
ATHDS6C38			3/8	0.41	0.67	0.07	0.41	0.87		1.63		
ATHDS6C12			1/2	0.51	0.75		0.47	0.98		1.77		
ATHDS4C14	4 AWG	-	1/4	0.25	0.55	0.12	0.29	0.59	0.59	1.48	4 J-H-GREY	
ATHDS4C516			5/16	0.33	0.63	0.10	0.39	0.79		1.65		
ATHDS4C38			3/8	0.41	0.71	0.09	0.47	0.94		1.81		
ATHDS4C12			1/2	0.51	0.75	0.08	0.51	1.02		1.89		
ATHDS2C14	1-2 AWG	25 - 35	1/4	0.25	0.79	0.16	0.39	0.79	0.79	1.85	1-2 H-H-PINK	
ATHDS2C516			5/16	0.33			0.47	0.94		2.01		
ATHDS2C38			3/8	0.41	0.13	0.51	1.02	2.21				
ATHDS2C12			1/2	0.51				0.91		0.13		0.51
ATHDS10C14	1/0 AWG	-	1/4	0.25	0.87	0.16	0.39	0.79	0.79	1.97	1/0 E-A-BLK	
ATHDS10C516			5/16	0.33			0.47	0.94		2.13		
ATHDS10C38			3/8	0.41			0.15	0.51		1.02		2.21
ATHDS10C12			1/2	0.51								0.91
ATHDS20C516	2/0 AWG	70	5/16	0.33	0.91	0.18	0.39	0.79	0.83	2.06	2/0 A-C-ORG	
ATHDS20C38			3/8	0.41			0.47	0.94		2.21		
ATHDS20C12			1/2	0.51			0.51	1.02		2.32		
ATHDS30C38	3/0 AWG	-	3/8	0.41	1.02	0.18	0.47	0.94	0.98	2.36	3/0 A-B-PUR	
ATHDS30C12			1/2	0.51			0.51	1.02		2.48		
ATHDS40C38	4/0 AWG	-	3/8	0.41	1.10	0.18	0.47	1.10	1.02	2.56	4/0 A-A-YEL	
ATHDS40C12			1/2	0.51			0.51					

Copper 1 Hole Soldering Lugs

Material : E-Copper
Finish : Electro-Tinned
Application : Up To 35 kVA
Voltage Rating : 600 Volts / 90°C

Features :
 Round Palm End for 25 to 250 AMP Rating
 Straight Palm End for 325 to 650 AMP Rating

• For Crimping Tool details please refer to page no. 93



E-Code	Conductor AWG	Conductor MM ²	Amp Rating	Stud Hole ØE	Dimensions				
					D	G	P	B	L
ATSL10C17	10 AWG	10	25	0.171	0.250	0.187	0.469	0.344	0.937
ATSL8C20	8 AWG	-	35	0.203	0.375	0.218	0.500		1.031
ATSL6C20	6 AWG	-	50		0.437	0.250	0.594		0.375
ATSL4C28	4 AWG	-	70	0.281	0.531	0.281	0.687	0.437	1.375
ATSL2C28	2 AWG	35	90		0.625	0.343	0.750	0.500	1.050
ATSL10C34	1/0 AWG	-	125	0.343	0.750	0.406	0.812	0.562	1.750
ATSL20C40	2/0 AWG	70	150	0.406	0.812	0.437	0.937	0.687	2.125
ATSL30C40	3/0 AWG	-	175		0.906	0.500	1.000	0.781	
ATSL40C40	4/0 AWG	-	225		0.968	0.531	1.156	0.844	
ATSL250C40	250 kcmil	-	250	0.406	1.187	0.625	1.250	0.969	2.656
ATSL400C40	400 kcmil	-	325		1.375	0.750	1.625	1.187	3.375
ATSL500C40	500 kcmil	240	400		1.562	0.937	2.125	1.050	4.156
ATSL600C40	600 kcmil	300	450	1.625	1.000	2.025	4.437		
ATSL800C53	800 kcmil	400	550	0.531	1.937	1.125	2.050	2.000	5.063
ATSL1000C90	1000 kcmil	500	650	0.906	2.125	1.187		2.000	5.375

Crimping Tool Details For Copper Connectors

SR.NO	CABLE SIZE	COLOR	BURNDY MODEL-Y35 DIE SET	BURNDY	TBM	ILSCO	HUSKIE	GREENLEE	GREENLEE	NSI M-250	NSI M-500
1	8 AWG	RED	U8CTR	49	21	1	N/A	KC12-8	Die-less	Die-less	Die-less
2	6 AWG	BLUE	U5CRT OR U8CABT	7 OR 374	24	2	HT41AT/HT41GL	KC12-6	Die-less	Die-less	Die-less
3	4 AWG	GRAY	U4CRT OR U6CABT	8 OR 346	29	3	HT41AU/HT41GE	KC12-4	Die-less	Die-less	Die-less
4	2 AWG	WHITE	U2CRT	10	33	4	HT41AW	KC12-2	Die-less	Die-less	Die-less
5	1 AWG	BROWN	U2CRT	10	33	5	HT41AW	KC12-2	Die-less	Die-less	Die-less
6	1/0 AWG	GREEN	U1CRT OR U4CABT	11 OR 375	37	6	HT41AX	KC12-1	Die-less	Die-less	Die-less
7	2/0 AWG	PINK	U25RT OR U2CART	12 OR 348	42H	7	HT41AY	KC12-1/0	Die-less	Die-less	Die-less
8	3/0 AWG	BLACK/GOLD	U26RT	13	45	8	HT41AZ	KC12-2/0	Die-less	Die-less	Die-less
9	4/0 AWG	ORANGE/BROWN	U27RT	14	50	9	HT41BA	KC12-3/0	Die-less	Die-less	Die-less
10	250 kcmil	PURPLE/GREEN	U28RT	15	54H	10	HT41BC	KC12-4/0	Die-less	Die-less	Die-less
11	300 kcmil	YELLOW	U29RT	16	62	11	HT41BE	KC12-250	Die-less	Die-less	Die-less
12	350 kcmil	WHITE	U30RT OR U28ART	17 OR 298	66	12	HT41BF	KC12-300	Die-less	N/A	Die-less
13	400 kcmil	RED	U31RT OR U29ART	18 OR 324	71H	13	HT41BJ	KC12-350	Die-less	N/A	Die-less
14	500 kcmil	BLUE	U32RT OR U30ART	19 OR 470	76	14	HT41BK	KC12- 400	Die-less	N/A	Die-less
15	600 kcmil	BROWN	U34RT OR U32ART	20 OR 299	87H	15	HT41BL	KC12- 500	Die-less	N/A	Die-less
16	700 kcmil	GREEN	U36RT OR U32ART	22 OR 472	94H	16	HT41/HH/HT41BM	KC12 -600	Die-less	N/A	N/A
17	750 kcmil	BLACK	U39RT	24	106H	17	HT41BP	KC12-750	Die-less	N/A	N/A

SR.NO	CABLE SIZE	COLOR	RANGE TAKING	GREENLEE HK 1210/ NSI N121D
1	6 AWG	BLUE	6-8 AWG	Die-less
2	4 AWG	GREY	4-6 AWG	Die-less
3	3 AWG	WHITE	3-6 AWG	Die-less
4	2 AWG	BROWN	2-6 AWG	Die-less
5	1 AWG	GREEN	1-6 AWG	Die-less
6	1/0 AWG	PINK	1/0-6 AWG	Die-less
7	2/0 AWG	BLACK/GOLD	2/0-4 AWG	Die-less
8	3/0 AWG	ORANGE/BROWN	3/0-2 AWG	Die-less
9	4/0 AWG	PURPLE/GREEN	4/0-1 AWG	Die-less
10	250 kcmil	YELLOW	250 kcmil-1/0 AWG	Die-less
11	300 kcmil	WHITE	300 kcmil-2/0 AWG	Die-less
12	350 kcmil	RED	350 kcmil-3/0 AWG	Die-less
13	400 kcmil	BLUE	400 kcmil-4/0 AWG	Die-less
14	500 kcmil	BROWN	500 kcmil-250 kcmil	Die-less
15	600 kcmil	GREEN	600 kcmil-250 kcmil	Die-less
16	700 kcmil	PINK	700 kcmil-500 kcmil	Die-less
17	750 kcmil	BLACK	750 kcmil-500 kcmil	Die-less
18	1000 kcmil	BLACK	1000 kcmil-750 kcmil	Die-less

Note :

- Select proper lug/splice according to cable size being used. Match the size with the description in the table.
- Strip the insulation of the cable to match the length of the barrel so that the stripped length of the cable can be inserted fully inside the barrel of the lug/splice.
- Do not damage the strands of the cable while stripping the insulation.
- The stripped surface of the cable must be clean and inserted completely into the lug/splice barrel.
- Use wire brush to remove oxide layer from the stripped surface of the cable.
- Apply 1 crimp for short barrel connectors and 2 crimps for long barrel connectors.

Crimping Tool Details For Aluminium Connectors

SR NO	CABLE SIZE	COLOR	BURNDY Y35 DIE SET	DIE INDEX	TOOL GREENLEE HK 12D
1	8 AWG	BLUE	U8CABT	374	Die-less
2	6 AWG	GRAY	U6CABT	346	Die-less
3	4 AWG	GREEN	U4CABT	375	Die-less
4	2 AWG	PINK	U2CABT	348	Die-less
5	1 AWG	GOLD	U1CABT	471	Die-less
6	1/0 AWG	TAN	U25ART	296	Die-less
7	2/0 AWG	OLIVE	U26ART	297	Die-less
8	3/0 AWG	RUBY	U27ART	467	Die-less
9	4/0 AWG	WHITE	U28ART	298	Die-less
10	250 kcmil	RED	U29ART	324	Die-less
11	300 kcmil	BLUE	U30ART	470	Die-less
12	350 kcmil	BROWN	U31ART	299	Die-less
13	400 kcmil	GREEN	U32ART	472	Die-less
14	500 kcmil	PINK	U34ART	300	Die-less
15	600 kcmil	BLACK	U36ART	473	Die-less
16	700 kcmil	PURPLE	-	-	-
17	750 kcmil	YELLOW	U39ART	936	Die-less
18	800 kcmil	-	-	-	Die-less
19	900 kcmil	GRAY	-	-	Die-less
20	1000 kcmil	BROWN	-	-	Die-less

Note :

- Select proper lug/splice according to cable size being used. Match the size with the description in the table.
- Strip the insulation of the cable to match the length of the barrel so that the stripped length of the cable can be inserted fully inside the barrel of the lug/splice.
- Do not damage the strands of the cable while stripping the insulation.
- The stripped surface of the cable must be clean and inserted completely into the lug/splice barrel.
- Use wire brush to remove oxide layer from the stripped surface of the cable.

Compression Cable Lugs - Bimetallic ADTL2 Series

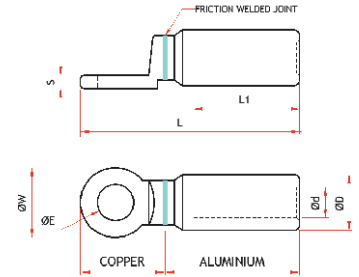
Material : E-Copper & AL 99.5%

Finish : Bright

Features : Barrel Prefilled With Oxide Inhibiting Compound & Capped At The End



Cable Size mm ²	Dimensions in mm							E-Code
	ØE	Ød	ØD	ØV	S	L1	L	
16	8.5	5.5	16	24	4	47	90	ADTL21608
	10.5							ADTL21610
	13							ADTL21612
25	8.5	6.5	16	24	4	47	90	ADTL22508
	10.5							ADTL22510
	13							ADTL22512
35	8.5	8.5	16	24	4	47	90	ADTL23508
	10.5							ADTL23510
	13							ADTL23512
50	8.5	9.5	20	24	5	50	98	ADTL25008
	10.5							ADTL25010
	13							ADTL25012
70	8.5	11	20	24	5	50	98	ADTL27008
	10.5							ADTL27010
	13							ADTL27012
95	8.5	12.5	20	24	5	50	98	ADTL29508
	10.5							ADTL29510
	13							ADTL29512
120	10.5	15	25	30	6	60	117	ADTL212010
	13			35	6.5		124	ADTL212012
	17			ADTL212016				
150	10.5	16	25	30	6	60	117	ADTL215010
	13			35	6.5		124	ADTL215012
	17			ADTL215016				
185	10.5	17	32	30	6	60	117	ADTL218510
	13			35	6.5		124	ADTL218512
	17			ADTL218516				
240	10.5	20	32	30	6	60	117	ADTL224010
	13			35	6.5		124	ADTL224012
	17			ADTL224016				
300	10.5	23.3	34	30	6	60	117	ADTL230010
	13			36	7		130	ADTL230012
	17			ADTL230016				
400	13	26	40	36	8	90	160	ADTL240012
	17							ADTL240016
	21							ADTL240020
	BL							ADTL2400BL
500	17	29	47	SQ 60x60	10	94	200	ADTL250016SQ
	21							ADTL250020SQ
	BL			ADTL2500BLSQ				
	17			36	8	90	160	ADTL250016
	21			ADTL250020				
BL	ADTL2500BL							
630	17	32.5	47	SQ 60x60	10	94	200	ADTL263016SQ
	21							ADTL263020SQ
	BL			ADTL2630BLSQ				
	17			50	8	90	160	ADTL263016
	21			ADTL263020				
BL	ADTL2630BL							

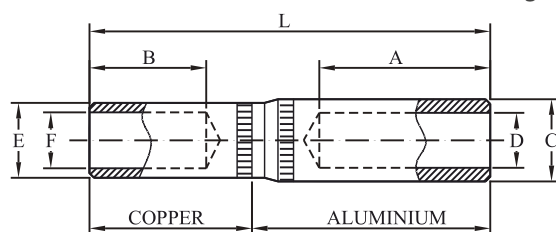


Bimetallic Joints - Straight Type

Material : Electrolytic Grade AL 99.5 and Copper

Finish : Bright

Features : Barrel Prefilled with Oxide inhibiting Compound & Capped



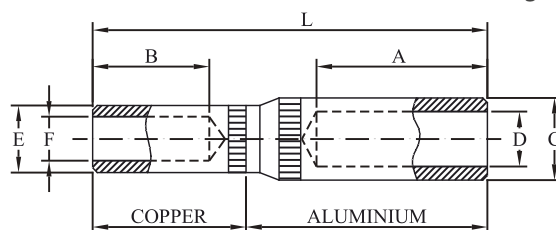
Cable Size (AL)mm ²	Cable Size (CU)mm ²	Dimensions in mm							E-Code
		A	B	C	D	E	F	L	
25	25	32	21.5	12	7	9.7	7	70	ABMCS25
35	35	32	21.5	12	8.5	11.5	8.4	70	ABMCS35
50	50	32	21.5	16	9.5	12.7	9.5	70	ABMCS50
70	70	32	21.5	16	11	14.3	11.1	70	ABMCS70
95	95	60	40	21.5	13	17.5	13.5	120	ABMCS95
120	120	60	40	21.5	15	20.6	15.5	120	ABMCS120
150	150	60	40	27	16.5	22.2	16.3	120	ABMCS150
185	185	60	40	27	18.5	24.3	18.3	120	ABMCS185
240	240	60	40	35	21	28.6	21.2	122	ABMCS240
300	300	60	40	35	23.5	31.9	23.8	125	ABMCS300
400	400	70	55	47	26.5	34.9	26.8	153	ABMCS400
500	500	70	58	47	29.5	38	30	155	ABMCS500
630	630	70	60	54	33.5	45	33.5	160	ABMCS630

Bimetallic Joints - Reducing Type

Material : Electrolytic Grade AL 99.5 and Copper

Finish : Bright

Features : Barrel Prefilled with Oxide inhibiting Compound & Capped



Cable Size (AL)mm ²	Cable Size (CU)mm ²	Dimensions in mm							E-Code
		A	B	C	D	E	F	L	
35	25	32	21.5	12	8.5	9.7	7	70	ABMC3525
50	35	32	21.5	16	9.5	11.5	8.4	70	ABMC5035
70	50	32	21.5	16	11	12.7	9.5	70	ABMC7050
95	70	60	40	21.5	13	14.3	11.1	70	ABMC9570
120	70	60	40	21.5	15	14.3	11.5	120	ABMC1270
120	95	60	40	21.5	15	17.5	13.5	120	ABMC1295
150	120	60	40	27	16.5	20.6	15.5	120	ABMC1512
185	70	60	40	27	18.5	14.3	11.5	120	ABMC1870
185	150	60	40	27	18.5	22.2	16.3	120	ABMC1815
240	100	60	40	35	21	17.5	13.5	122	ABMC2410
240	185	60	40	35	21	24.3	18.3	122	ABMC2418
300	185	60	40	35	23.5	24.3	18.5	125	ABMC3018
300	240	60	40	35	23.5	28.6	21.2	125	ABMC3024
400	185	70	55	47	28.5	24.3	18.3	153	ABMC4018
400	300	70	55	47	26.5	31.9	23.8	153	ABMC4030
500	400	70	58	47	29.5	34.9	26.8	155	ABMC5040
630	500	70	60	54	33.5	38	30	160	ABMC6350



An ISO 9001: 2015 Company

Global Presence

More than 80 Countries

	AFGHANISTAN		KUWAIT		SINGAPORE
	AUSTRALIA		LEBANON		SOUTH AFRICA
	BAHRAIN		MALAYSIA		SPAIN
	BELGIUM		MALDIVES		SRI LANKA
	CANADA		MALTA		SWITZERLAND
	CHILE		MAURITIUS		TAIWAN
	EGYPT		MYANMAR		TANZANIA
	ECUADOR		NEPAL		THAILAND
	FRANCE		NEW ZEALAND		USA
	GHANA		NIGERIA		U.A.E.
	GREECE		OMAN		UGANDA
	HONDURAS		PANAMA		UNITED KINGDOM
	INDONESIA		PHILIPPINES		VIETNAM
	ISRAEL		PORTUGAL		YEMEN
	ITALY		QATAR		ZAMBIA
	JAMAICA		SAUDI ARABIA		ZIMBABWE

For more information Please visit us at
www.axis-india.com

Grounding & Lightning Protection System and Exo Thermic Welding

AXIS provides complete range of E & LP products & system in order to achieve total protection to the Structures, Equipment and community. These products are manufactured in accordance to International standards such as BS EN 50164,UL & IS



Cable Lugs & Connectors

Axis manufactures wide range of Lugs and Connectors sizes ranging from 1.5mm² -1200mm² of Copper, Aluminum & Bimetal. These products are Compression or Bolted type. Popular standards such as BSEN, IS & UL are followed to manufacture and to test these Connectors.



Cable Management System

AXIS Cable Glands and accessories are manufactured according to the functional requirements of IEC 62444 and DIN standards. AXIS Cable Cleats are manufactured in accordance with IEC 61914. AXIS Cable Ties can be supplied with other accessories like Markers, I.D. Tags & Carriers used in oil refineries, petrochemical industries and other utilities worldwide. These cable ties comply to UL-1565 and BS EN 62275 standards.





TESTED PRODUCTS
EFFICIENT SERVICE
TRUSTED BRAND

Aerial Bundled Cable (ABC) Solutions

AXIS Aerial Bundled Cable (ABC) fittings provide high quality, long lasting and safe solutions for LT distribution networks. We have supplied these products to major utilities across the world and our products are manufactured as per NFC, IEC, BS EN and IS standards.



Poleline Hardware

AXIS offers complete range of OH line Hardware for LV, MV & HV Electrical distribution line systems. These products are manufactured taking into consideration international standards and Utility specific requirements.



CERTIFICATIONS

AN ISO 9001 : 2015 COMPANY



20000284 QM15



Underwriter Laboratories Inc. (UL)
Grounding and Bonding Equipment
UL 487196 No. 120089
Wire Connectors and Soldering Lugs
UL 487196 No. 120089



NFC
Standards





An ISO 9001: 2015 Company

3rd Edition

2023



Get in Touch!



AXIS ELECTRICAL COMPONENTS (I) P. LTD.

Registered Office: AXIS House, Plot No. 149 BCD
Kandivali Co-op Industrial Estate Ltd., Kandivali (W),
Mumbai – 400067, Maharashtra, India. Tel: +91-22-67756000
email: sales@axis-india.com | Website: www.axis-india.com