

# LUPA FAMILY

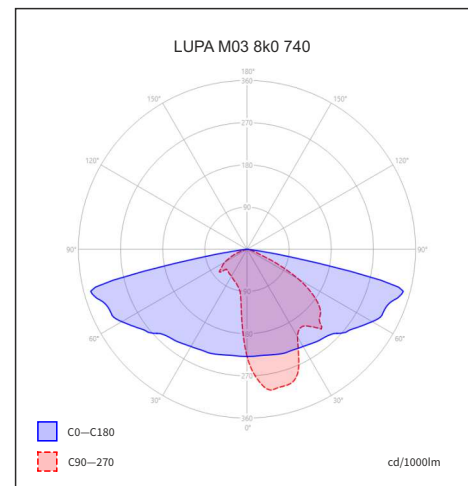
The LUPA family is a range of designer luminaires intended for public lighting of urban areas. These luminaires are designed for installation on the top end of a pole, or for mounting on any point of a mast or building wall.



## TECHNICAL SPECIFICATIONS

<b>Light source</b>	LED
<b>AC voltage</b>	AC 220-240 V / 50-60 Hz
<b>Connection</b>	leading out cable, leading out cable with connector (G) disconnect terminal block (O), without cable (WO)
<b>Driver</b>	electronic driver with surge protection L/N-Ground 10 kV
<b>Surge protection</b>	additional surge protection 10 kV (S)
<b>Fuse</b>	fuse 6,3 A (J)
<b>Dimming</b>	non-dimmable (not labeled), DALI, night dimming (A) preparation for wireless communication NEMA (N), Zhaga (Z) or 2× Zhaga (Z2)
<b>Sensor</b>	motion sensor (on request)
<b>Constant lumen output</b>	CLO (C)
<b>Optical system</b>	roads (Mxx), roads (Lxx), directional (Pxx) area (Uxx), combined optics (Kxx), BACK light shades (BL1/BL2) direct
<b>Light distribution</b>	
<b>Color rendering index</b>	Ra > 70
<b>Color temperature</b>	AMBER, 2 200 K, 2 700 K, 3 000 K, 4 000 K, 5 000 K
<b>Service life</b>	> 120 000 hrs. (L90)
<b>Housing</b>	aluminum cast
<b>Color</b>	RAL 7015
<b>Surface</b>	matte
<b>Cover</b>	tempered glass
<b>Protection class</b>	I, II
<b>Ambient operating temperature</b>	max. -40 / +55 °C
<b>Ingress protection</b>	IP 66
<b>Impact protection</b>	IK 09
<b>Method</b>	pole (48–89 mm), on the wall
<b>Recommended height</b>	up to 8 m

**Use:**  
residential neighborhoods, pedestrian zones, parks, sidewalks, cycle paths



This product contains a light source of energy efficiency class C (730/740), D (AMB/727), E (722).



VARIANTS (chip 3535)	POWER (W)				LUMINAIRE OUTPUT FLUX (lm)		LUMINAIRE EFFICIENCY (lm/W)	SERVICE LIFE (hrs.)	WEIGHT
	Color temperature (K)								
Catalog name	2200K Ra 70 U500 < 6.5%	2700K Ra 70 U500 < 10.5%	3000K Ra 70 U500 < 15%	4000K Ra 70 U500 < 23%	min	max	Up to	L90	kg*
LUPA P/L/W Mxx 1k0	7,8	7,1	6,9	6,5	887	933	143,5	> 120 000	7.5
LUPA P/L/W Mxx 1k5	11,8	10,4	9,9	9,4	1 330	1 400	148,9	> 120 000	7.5
LUPA P/L/W Mxx 2k0	14,5	12,8	12,3	11,7	1 773	1 866	159,5	> 120 000	7.5
LUPA P/L/W Mxx 2k5	18,1	16,1	15,1	14,7	2 217	2 333	158,7	> 120 000	7.5
LUPA P/L/W Mxx 3k0	22,6	19,5	18,3	17,5	2 660	2 800	160,0	> 120 000	7.5
LUPA P/L/W Mxx 3k5	26,4	23,4	21,7	20,7	3 103	3 266	157,8	> 120 000	7.5
LUPA P/L/W Mxx 4k0	30,6	27,1	25,1	23,9	3 547	3 733	156,2	> 120 000	7.5
LUPA P/L/W Mxx 5k0	39,6	34,3	32,1	30,6	4 434	4 666	152,5	> 120 000	7.5
LUPA P/L/W Mxx 6k0	45,3	42,6	39,5	37,4	5 320	5 599	149,7	> 120 000	7.5
LUPA P/L/W Mxx 7k0	-	46,2	43,9	41,3	6 207	6 532	158,2	> 120 000	7.5

VARIANTS (chip 5050)	POWER (W)					LUMINAIRE OUTPUT FLUX (lm)		LUMINAIRE EFFICIENCY (lm/W)	SERVICE LIFE (hrs.)	WEIGHT
	Color temperature (K)									
Catalog name	BLUE FREE AMBER U500 < 1.7%	2200K Ra 70 U500 < 7%	2700K Ra 70 U500 < 10.6%	3000K Ra 70 U500 < 14%	4000K Ra 70 U500 < 21%	min	max	Up to	L90	kg*
LUPA P/L/W Lxx 1k0	7,6	7,6	7,1	6,6	6,4	887	932	145,6	> 120 000	7.5
LUPA P/L/W Lxx 1k5	11,3	10,9	10,3	9,5	9,3	1 330	1 397	150,2	> 120 000	7.5
LUPA P/L/W Lxx 2k0	14,2	13,8	12,6	12	11,4	1 774	1 863	163,4	> 120 000	7.5
LUPA P/L/W Lxx 2k5	17,6	17,2	15,6	14,6	14	2 217	2 329	166,4	> 120 000	7.5
LUPA P/L/W Lxx 3k0	21,1	20,7	18,9	17,7	16,9	2 661	2 795	165,4	> 120 000	7.5
LUPA P/L/W Lxx 3k5	24,6	24,1	22,3	20,6	19,6	3 104	3 260	166,3	> 120 000	7.5
LUPA P/L/W Lxx 4k0	28,2	27,7	25,5	23,6	22,6	3 548	3 726	164,9	> 120 000	7.5
LUPA P/L/W Lxx 5k0	35,8	35,1	32,3	29,8	28,2	4 435	4 658	165,2	> 120 000	7.5
LUPA P/L/W Lxx 6k0	41,1	40,5	39,4	36,3	34,3	5 321	5 589	162,9	> 120 000	7.5
LUPA P/L/W Lxx 7k0	-	-	43,3	40,9	38,2	6 208	6 521	170,7	> 120 000	7.5

\* The weight may vary slightly depending on the luminaire variant.

Luminaire ambient temperature TQ 25 °C
Initial color consistency: ≤ 5 SDCM
Optical and electrical parameters tolerance ± 10 %

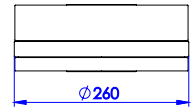
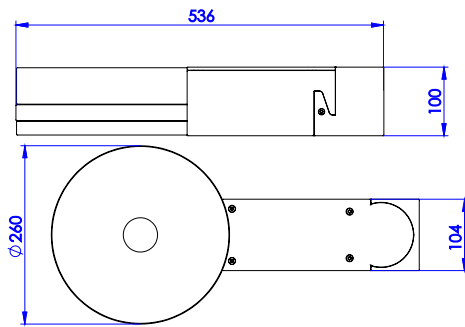
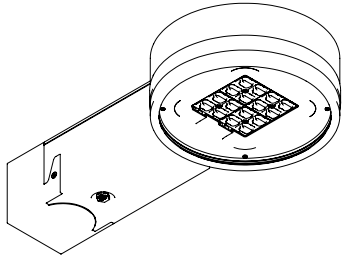
When using the CLO function, the initial power and luminous flux is 10 % lower than the value shown in the table. LDT curves with CLO function have the letter "C" at the end of their marking.

The term AMBER in lighting technology refers to light with a minimum amount of the blue part of the light spectrum.

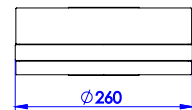
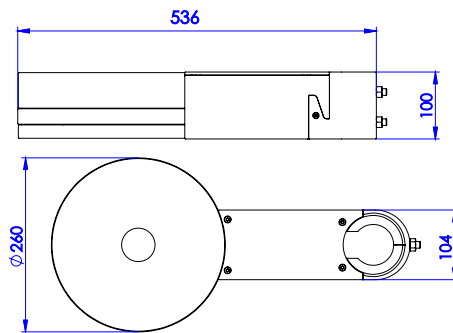
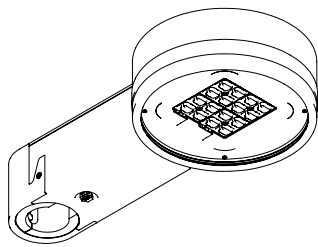
AMBER module - the light emitted from the LED chips on the module is already free of the blue part of the light spectrum (standard PMMA optics).

AMBER optics - the optical system absorbs the blue part of light from the LED module and transmits the remaining light spectrum (special AMBER optics).

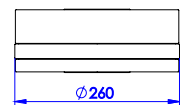
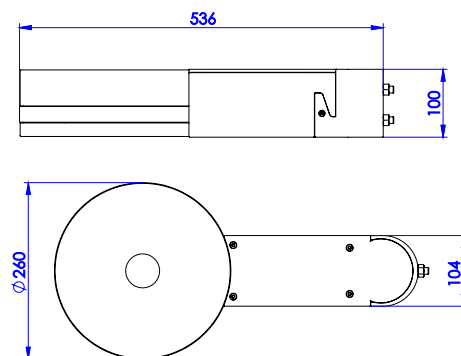
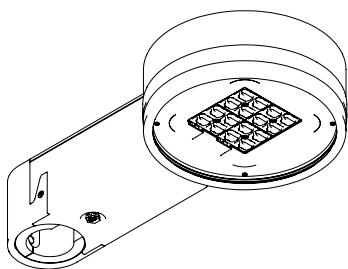
LUPA W



LUPA L



LUPA P



# LUPA FAMILY

LUPA P II M01 8k0 730 B124 45CAZ2 SJG H3S ENEC

**LUPA** Name and size of the luminaire

**P** mounting on top of the pole  
**L** mounting on the pole shaft  
**W** mounting on the wall

without marking class (standard)  
**II** class II

**M01** roads  
**L01** roads  
**P01** directional  
**U01** area  
**K01** combined optics

**BL1** BACK Light shades (straight)  
**BL2** BACK Light shades (curved)  
**FL1** FRONT Light shades (straight)  
**FL2** FRONT Light shades (curved)

**6k0** luminous flux marking (source)

**730** color rendering index Ra > 70,  
 color temperature 4 000 K

**B** LED module type  
**1** type of LED chip  
**2** Chip performance BIN  
**4** Mask type

**12** On/Off driver (non-DALI) + 2-pole terminal block  
**13** On/Off driver (non-DALI) + 3-pole terminal block  
**43** DALI driver + 3-pole terminal block  
**44** DALI driver + 4-pole terminal block  
**45** DALI driver + 5-pole terminal block  
**45P** DALI driver + 5-pole terminal block + motion sensor  
**40** DALI driver + disconnect terminal block (standard)  
**10** On/Off driver + disconnect terminal block (standard)  
**DO** D4i driver (for Zhaga connector) + disconnect terminal block (standard)

**C** Constant Lumen Output (CLO)  
**A** Autonomous dimming

**ZT** ZHAGA Top (top Zhaga connector), D4i driver  
**ZB** ZHAGA Bottom (bottom Zhaga connector), D4i driver  
**ZN** ZHAGA + NEMA connector (NEMA on top, Zhaga on bottom), D4i driver  
**ZZ** 2× ZHAGA (top and bottom connectors), D4i driver  
**Z** Zhaga connector, 4-pin D4i driver  
**N** NEMA connector, 7-pin (always top connector only), DALI driver

**S** Additional surge protection 10 kV  
**J** Fuse  
**G** Gesis connector

**H** H05(07)RN-F supply cable (1 mm<sup>2</sup>)  
**C** CYKY supply cable (1.5 mm<sup>2</sup>)  
**WO** Without cable

**2** 2-core cable  
**3** 3-core cable  
**5** 5-core cable

**S** Cable length from luminaire – 25 cm (standard)  
**1** 1 meter (lengths in full meters)

**ENEC** Certification



[lumenlights.eu/lupa-family-en](https://lumenlights.eu/lupa-family-en)  
 Aktualizace: 2.7. 2025