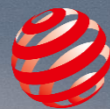


COLLECTIONS
DESIGNED
BY KLUŚ



reddot winner 2025
lighting design

KLUŚ Inspiring
Solutions

TULIP COLLECTION



Discover the TULIP Collection

The TULIP luminaire is more than just lighting; it's a way to express yourself through design.

Three unique style variants – Coastal, Industrial, and Natural correspond to different lifestyles, allowing for adaptation to any interior and personality.



reddot winner 2025
lighting design

Awarded Design



reddot winner 2025
lighting design

Red Dot Design Award – one of the most prestigious design awards in the world, granted for outstanding product design.



EdisonReport

The Business of Lighting™

Edison Report recognized TULIP as a "Must See" at LightFair 2025, highlighting its uniqueness and modern approach to architectural lighting.



red dot winner 2025
lighting design

KLUS Inspiring
Solutions

Three Styles three ways of life



COASTAL

Tranquillity and harmony
for slow life enthusiasts



INDUSTRIAL

For dynamic urban
lifestyle lovers



NATURAL

A sense of closeness
and harmony with nature



red dot winner 2025
lighting design

KLUS Inspiring
Solutions

Three types of optics



LENS OPTICS WITH MASKING COVER

- focused lighting with gentle diffusion
- highly efficient solution with maximum light effectiveness



LENS OPTICS

- intense, focused light
- perfect for illuminating workspaces or larger rooms



MICROPRISM

- soft, diffused light
- glare reduction
- surface with attractive "mirror" effect



red dot winner 2025
lighting design

KLUS Inspiring
Solutions

Available colors



COASTAL



INDUSTRIAL



NATURAL



Basic BLACK



Basic SILVER



red dot winner 2025
lighting design

KLUS Inspiring
Solutions

Excellent technical parameters

High efficiency: **up to 140 lm/W** depending on diffuser type, power, and driver

Low glare: **UGR < 19**

Excellent color rendering: **CRI 90**

Lifetime: **100,000 h**

Available color temperatures: **2700 K, 3000 K, 4000 K**

Available beam angles for DOT optics: 30°, 36°

HCL version available: adjustable range 2700–5000 K

Single luminaire length: up to 3 m

5-year warranty on construction quality and durability



red dot winner 2025
lighting design

KLUS Inspiring
Solutions

We desire to surround ourselves
with objects that not only serve
a functional purpose but also express
our personality and lifestyle



red dot winner 2025
lighting design

KLUS Inspiring
Solutions

Coastal

Tranquillity and harmony for slow life enthusiasts

The Coastal style, inspired by seaside ambiance, is perfect for those who value peace and harmony in life. It's designed for those embracing the slow life philosophy – slowing down and living in harmony with oneself and one's needs.



reddot winner 2025
lighting design

Coastal style

Inspiration

The TULIP fixture in Coastal version, featuring an off-white body, blue straps, and warm light temperature, evokes memories of summer days by the sea, creating bright and spacious interiors that encourage relaxation.

This lighting brings an atmosphere of calm and relaxation, offering an escape from daily hustle.

KLUS Inspiring
Solutions



Coastal



reddot winner 2025
lighting design

Collection items

MILKY WHITE - extrusion / end cap / canopy / wire

BLUE - straps / masking cover / lens optics



KLUS Inspiring Solutions





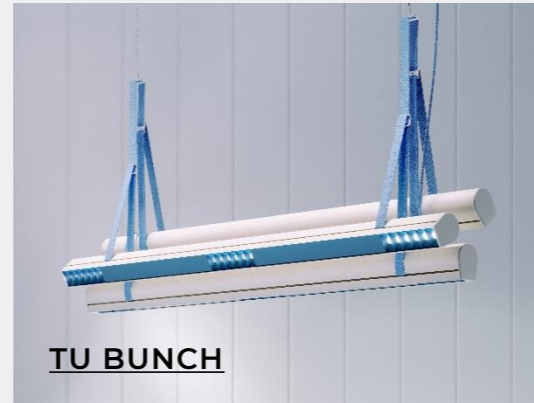
reddot winner 2025
lighting design

KLUS Inspiring
Solutions

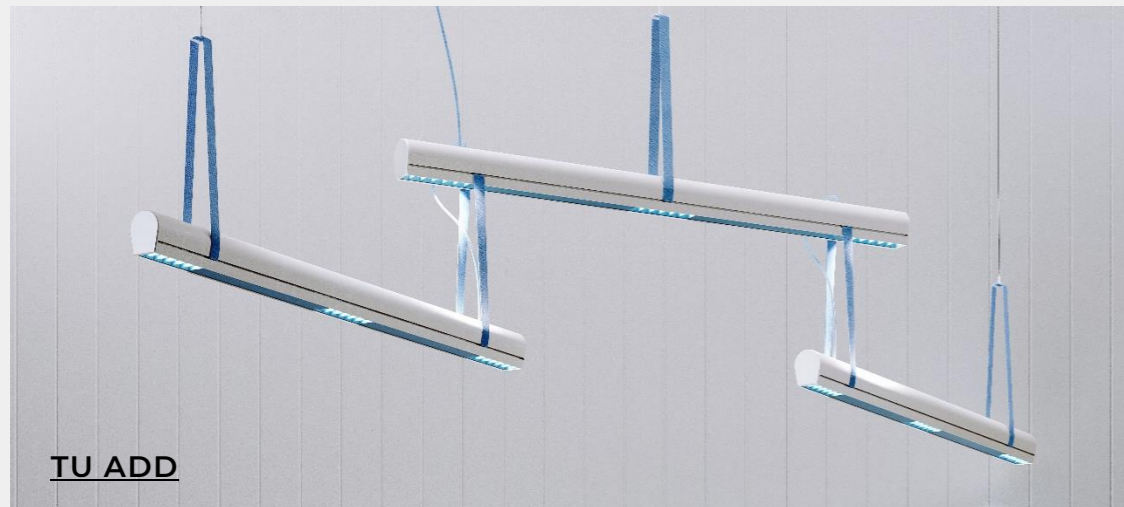
Collection items



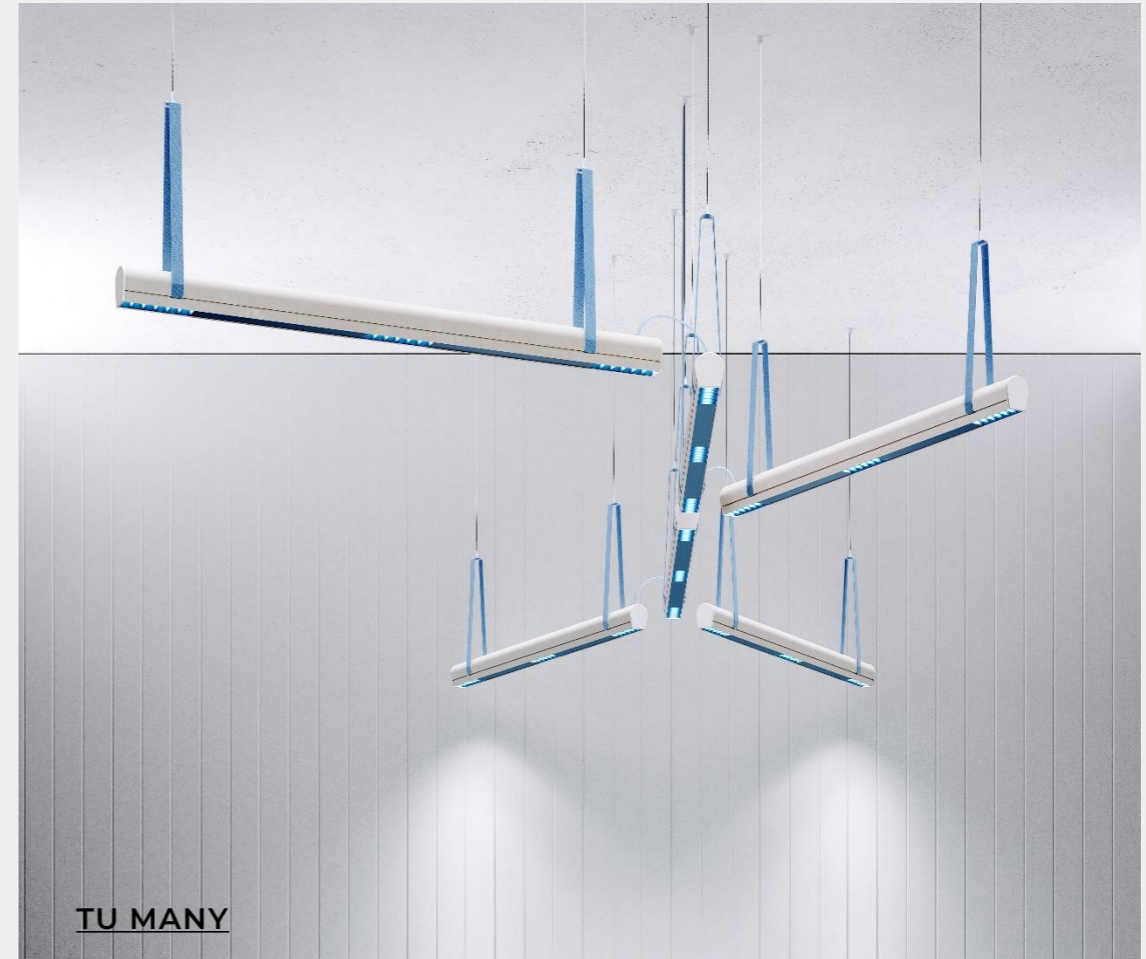
TU BEAM



TU BUNCH



TU ADD



TU MANY



red dot winner
lighting design

KLUS Inspiring
Solutions

Industrial

For dynamic urban lifestyle lovers

The Industrial variant is designed for those who draw energy from urban dynamics and modern spaces. It's a style for dynamic individuals who appreciate raw materials and minimalism.



reddot winner 2025
lighting design

Industrial style

Inspiration

The TULIP fixture in Industrial version with aluminum body, black straps, and natural light temperature (4000K) perfectly complements raw, modern, loft interiors dominated by concrete, steel, and dark colors.

This lighting reflects the spirit of a vibrant city – dynamic, modern, and somewhat raw.

KLUS Inspiring
Solutions



Industrial



reddot winner 2025
lighting design

Collection items

RAW ALUMINUM - extrusion / end cap / canopy

BLACK - straps / masking cover / lens optics / wire



KLUS Inspiring Solutions





reddot winner 2025
lighting design

KLUS Inspiring
Solutions

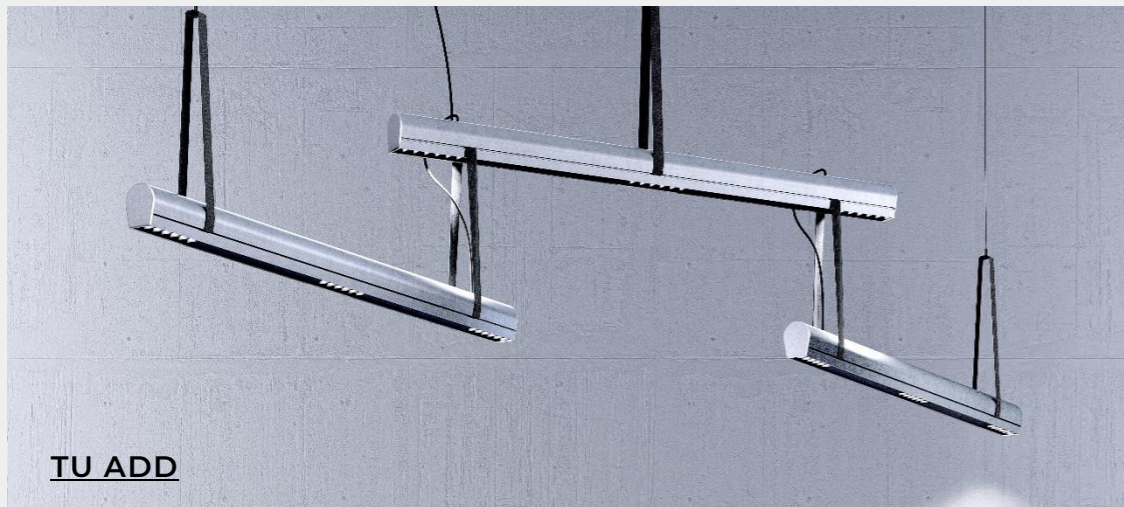
Collection items



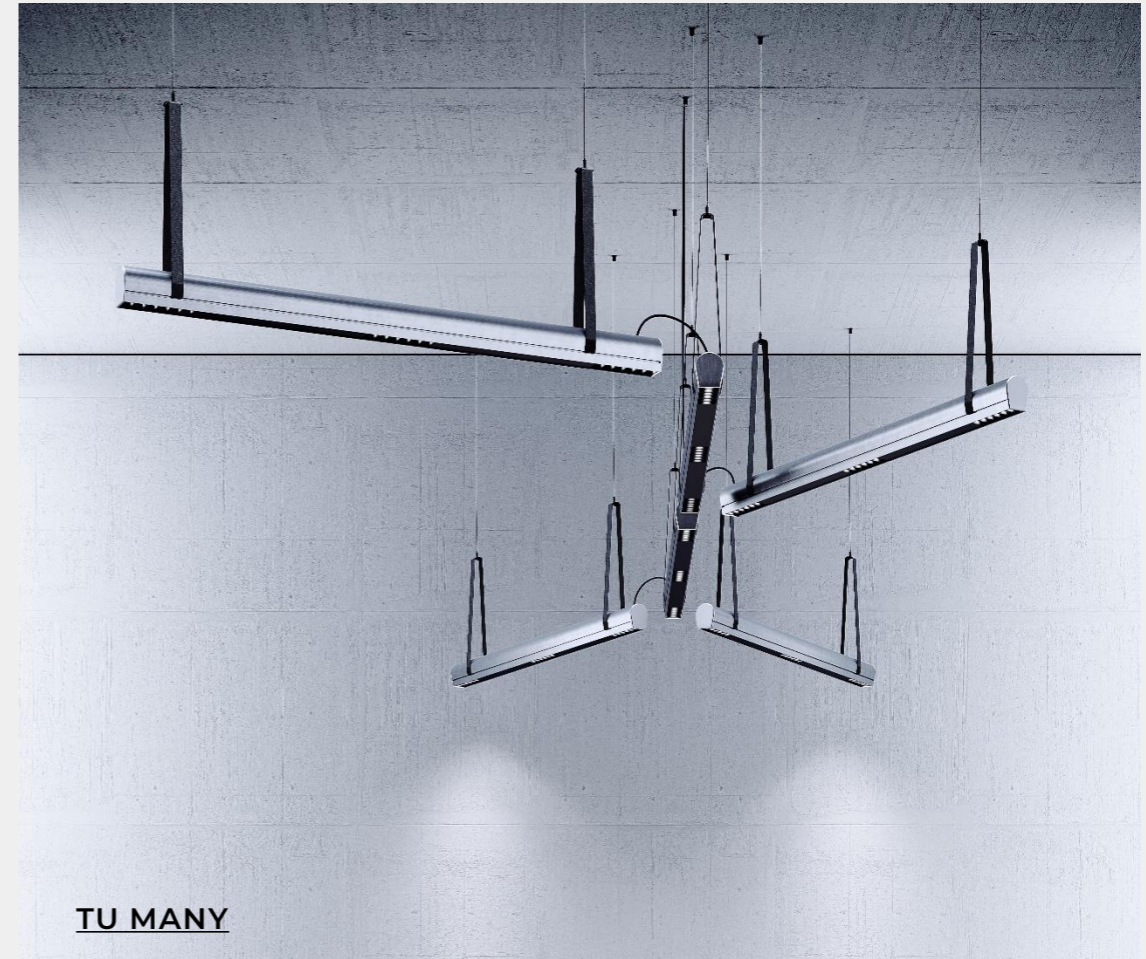
TU BEAM



TU BUNCH



TU ADD



TU MANY



reddot winner 2025
lighting design

KLUS® Inspiring
Solutions

Natural

A sense of closeness and harmony with nature

Perfect for those who love natural materials like wood, wicker, and weaving, and surround themselves with plants and natural fabrics.



reddot winner 2025
lighting design

Natural style

Inspiration

The TULIP fixture in Natural version, with pastel green body and green straps, creates a cozy and harmonious atmosphere inspired by nature. Earth colors, warm tones, and organic forms transform the interior into an oasis of peace and nature.

KLUS Inspiring Solutions



Natural



reddot winner 2025
lighting design

Collection items

PASTEL GREEN - extrusion / end cap

NAVY GREEN - straps / masking cover / lens optics

MILKY WHITE - canopy / wire



KLUS Inspiring
Solutions





reddot winner 2025
lighting design

KLUS Inspiring
Solutions

Collection items





red dot winner 2025
lighting design

KLUS Inspiring
Solutions

Basic offer

TULIP fixtures are also available in two basic finishes: silver anodized and black anodized.



reddot winner 2025
lighting design

KLUS Inspiring
Solutions

Basic color version - silver anodized





reddot winner 2025
lighting design

KLUS Inspiring
Solutions

Basic color version - black anodized



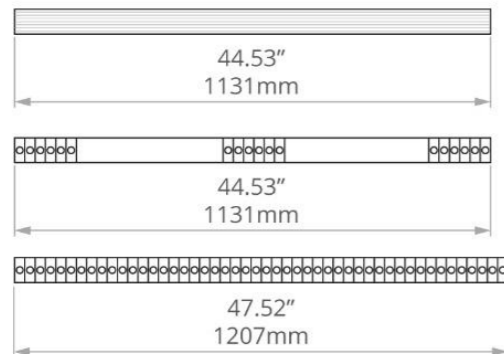
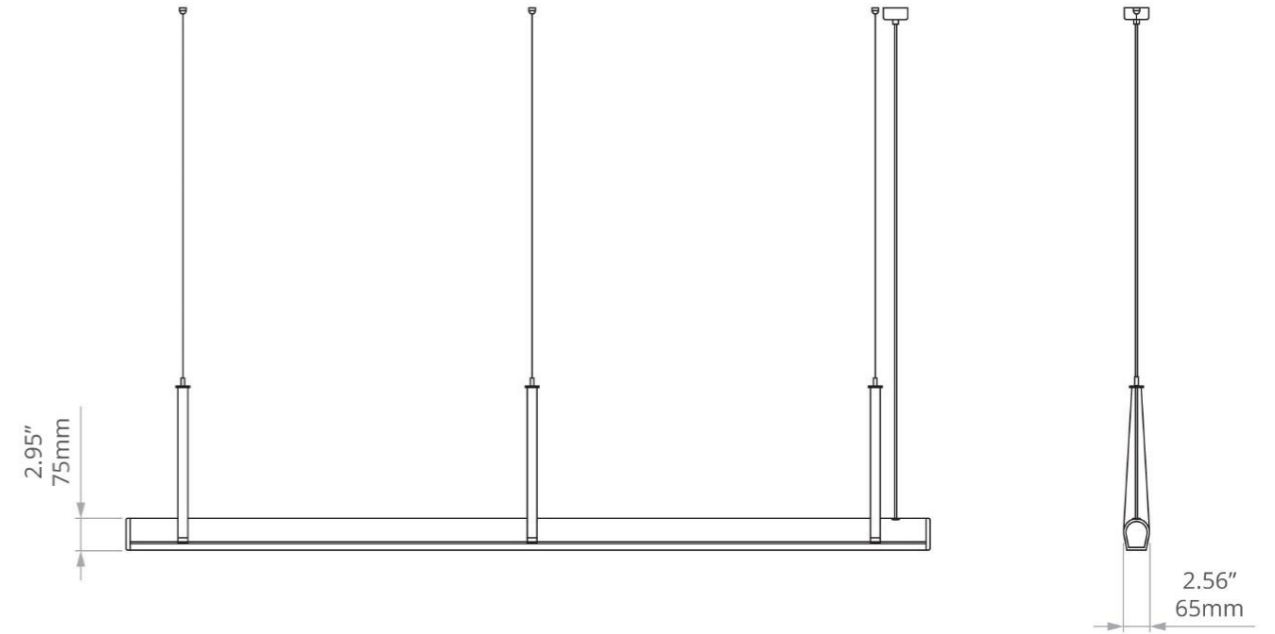
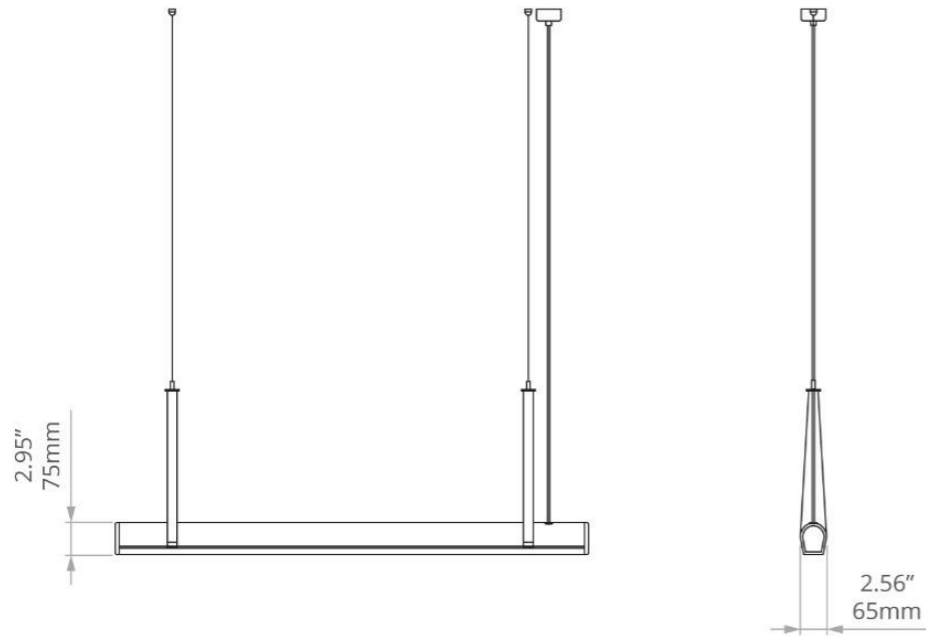


reddot winner 2025
lighting design

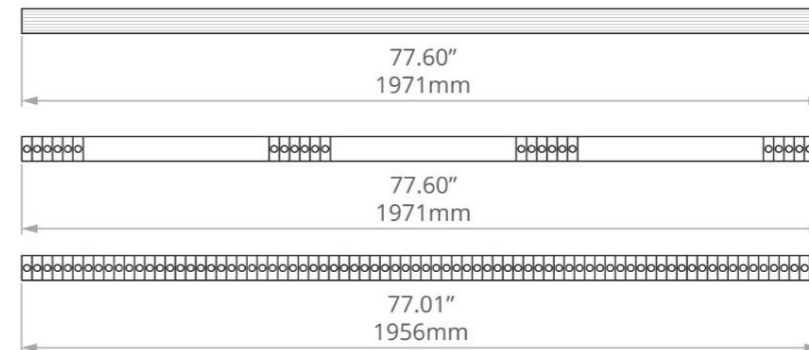
KLUS Inspiring Solutions

Luminaire TU BEAM 1m

Luminaire TU BEAM 2m



Microprism
DOT optics / blend
DOT optics



Microprism
DOT optics / blend
DOT optics

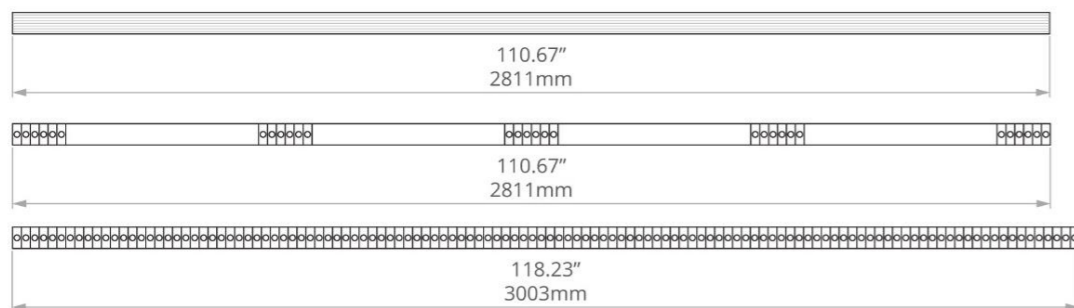
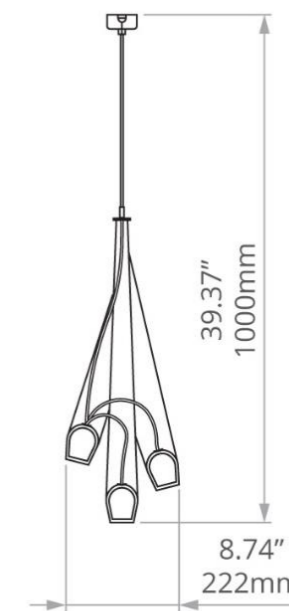
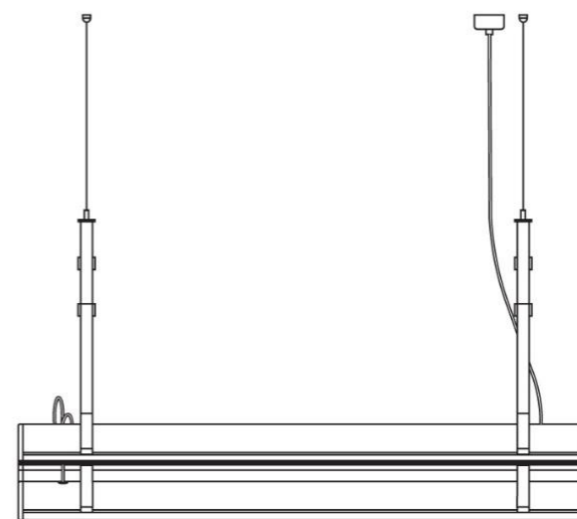
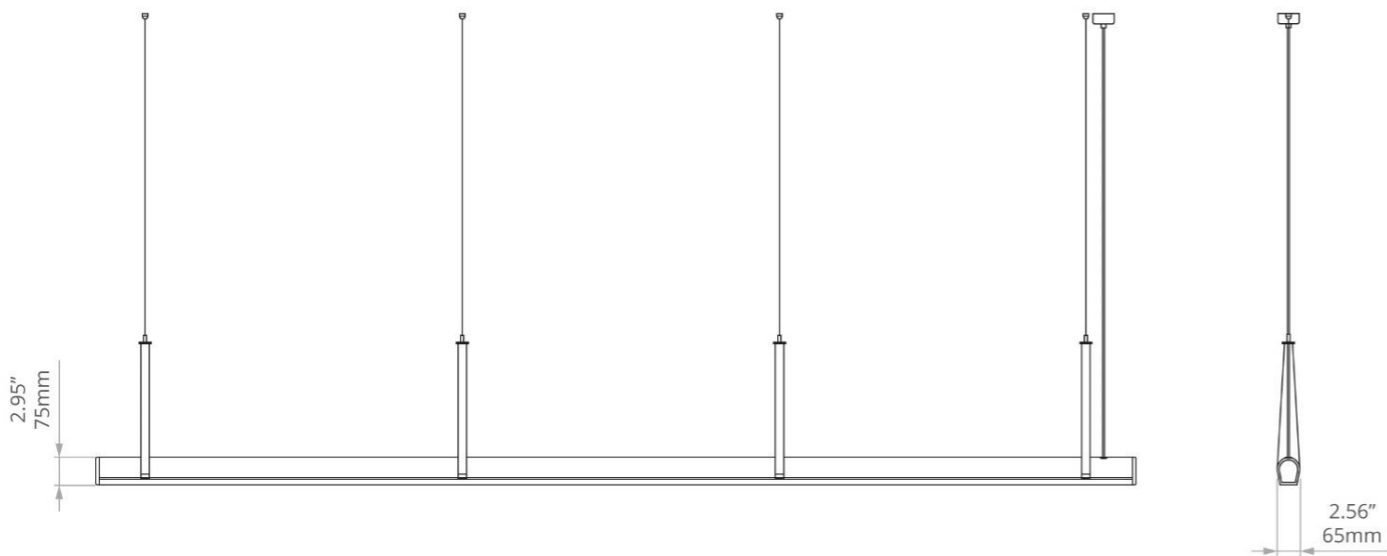


reddot winner 2025
lighting design

KLUS Inspiring
Solutions

Luminaire TU BEAM 3m

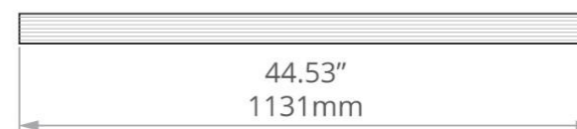
Luminaire TU BUNCH



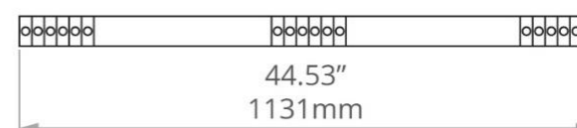
Microprism

DOT optics / blend

DOT optics



Microprism



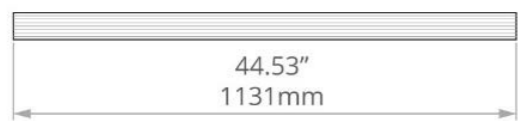
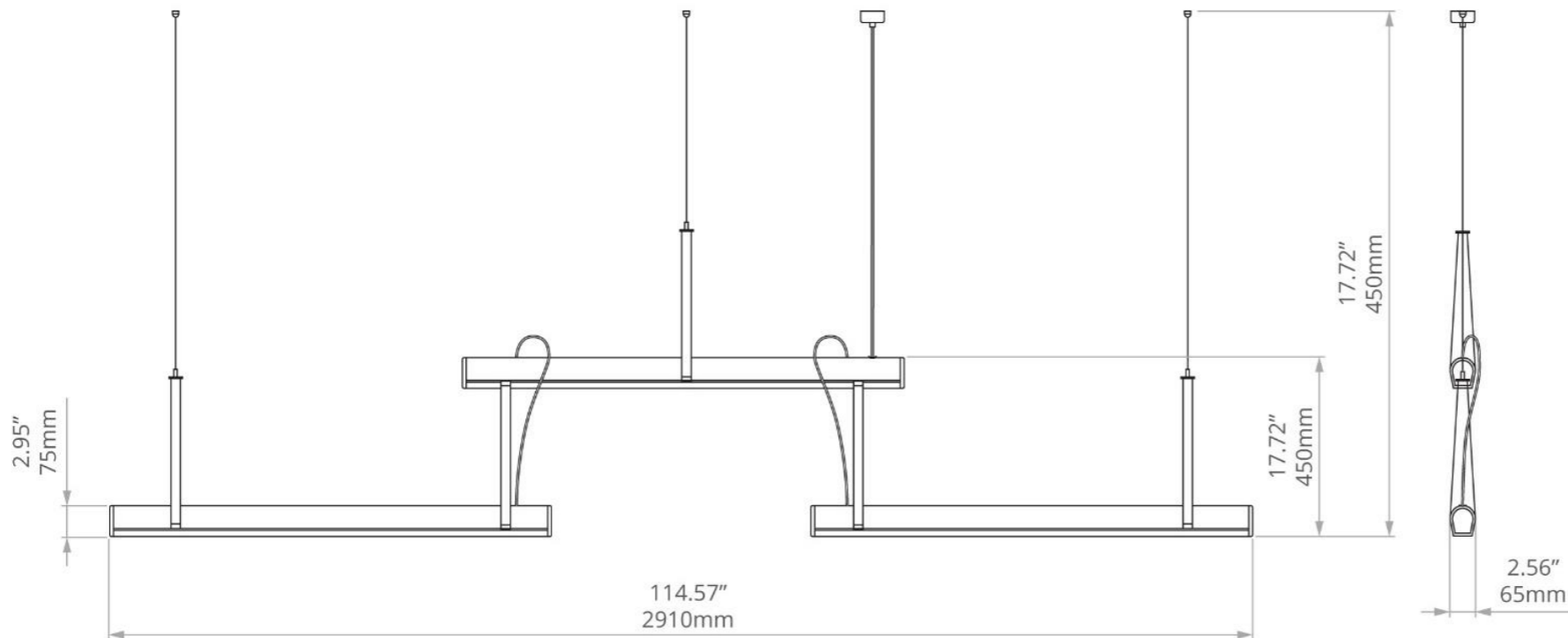
DOT optics / blend



reddot winner 2025
lighting design

KLUS Inspiring
Solutions

Luminaire TU ADD



Microprism



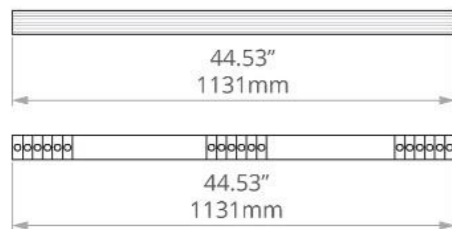
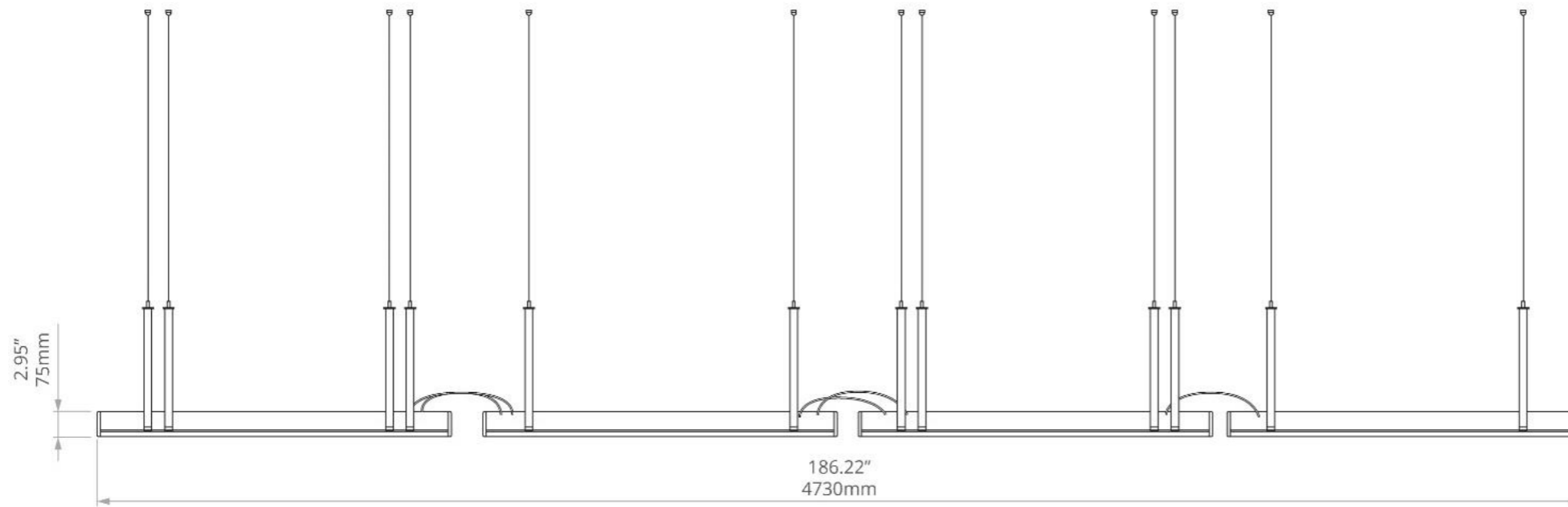
DOT optics / blend



reddot winner 2025
lighting design

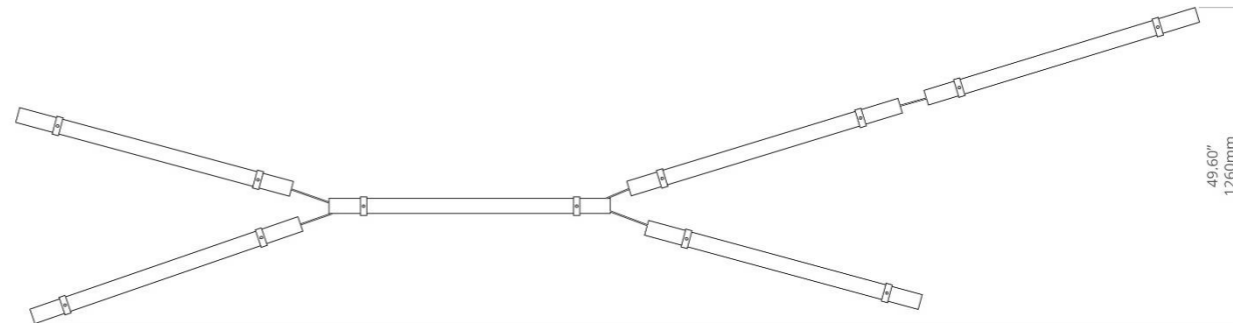
KLUS Inspiring
Solutions

Luminaire TU MANY



Microprism

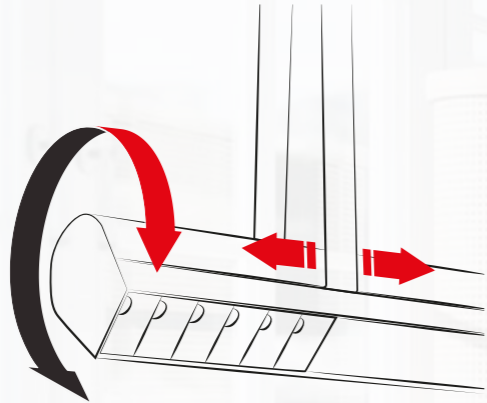
DOT optics / blend





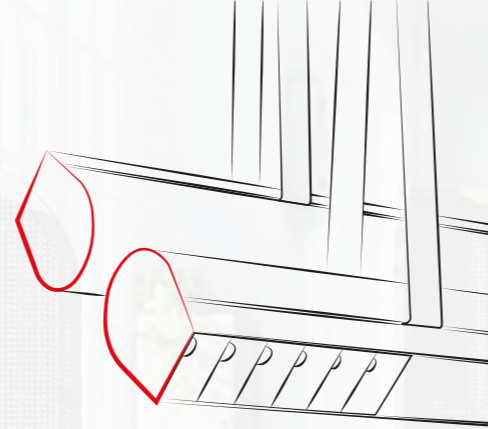
reddot winner 2025
lighting design

Innovative Construction



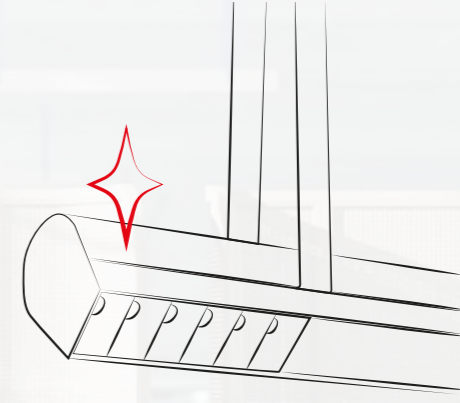
Easy and intuitive adjustment thanks to specially designed straps

- construction provides complete 360-degree rotation freedom in any direction
- ability to slide straps along the luminaire
- tool-free adjustment
- easy adjustment and stability in any position



Tulipan lamp ergonomics is based on a well-thought-out housing design

- semi-circular curvature of the upper part enables free rotation
- smooth strap arrangement on the lamp housing, no indentations
- straps automatically wedge under the lamp's weight



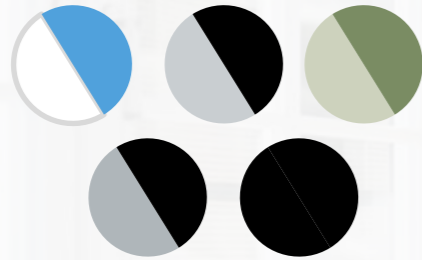
Ergonomic design and easy servicing

- smooth body and flexible elements make the lamp easy to clean and maintain in perfect condition
- well-designed lamp construction facilitates daily use
- good access to serviceable components



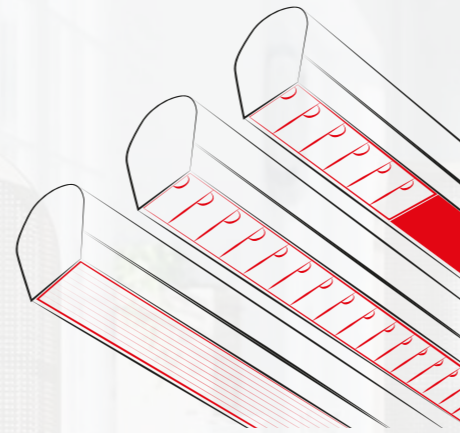
reddot winner 2025
lighting design

Functionality



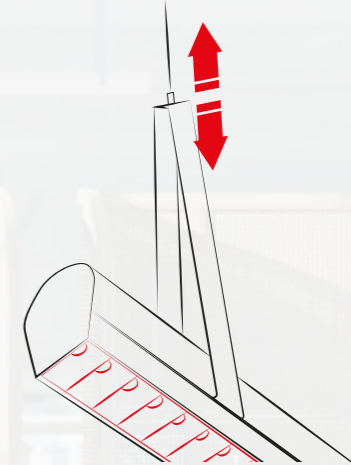
Ability to create unique luminaires as an expression of individuality

- choice of three style variants plus two basic finishes
- creative play with color and form
- multiple mounting configurations - horizontal or angled installation



Flexibility and functionality for every application

- three optical options: lens optics with masking cover, lens optics, microprism
- optical systems and adjustable suspension allow precise light direction control
- thanks to adjustability, the luminaire performs excellently in workplaces and public spaces



Intuitive and user-friendly product

- simple and quick installation process
- ability to customize the lamp to individual needs
- light distribution can be adjusted through suspension height modification



reddot winner 2025
lighting design

KLUS Inspiring
Solutions

Durability



5-year quality and construction warranty

- TULIP fixture comes with a 5-year quality warranty
- aluminum housing provides resistance to mechanical damage and external factors
- protective coating provides additional protection against oxidation
- aluminum is corrosion-resistant, ensuring the luminaire maintains its aesthetics and functionality
- aluminum's low weight facilitates installation



High-quality materials directly translate to luminaire longevity

- lamp construction with aluminum body enables effective heat dissipation, significantly extending the lifespan of installed LED diodes
- light sources in the TULIP fixture operate longer without losing efficiency or light quality



Refined details and precision craftsmanship demonstrate quality

- the luminaire's distinctive aesthetic feature is its smooth, curved form without protruding elements
- three carefully selected color variants create a cohesive offering
- adjustment straps arrange aesthetically on the luminaire body
- rounded suspension elements eliminate the risk of cuts



reddot winner 2025
lighting design

Sustainability



Aluminum - Lightweight and Recyclable

- the housing and most components of the TULIP fixture are made of aluminum, which is a fully recyclable material
- aluminum recycling uses only 5% of the energy required for new metal production, significantly reducing the carbon footprint
- aluminum can be recycled multiple times without quality loss, making it one of the most sustainable materials in the industry
- low aluminum weight reduces transportation costs and fuel consumption, contributing to lower CO2 emissions



Tulip Lamp: An Example of Energy- Efficient and High-Performance Lighting

- LED technology is known for exceptionally low energy consumption - LED diodes use up to 80% less energy than traditional bulbs while offering longer lifespan
- LEDs generate minimal heat, further increasing their energy efficiency
- The TULIP fixture utilizes advanced lens optics and LED modules



Easy Servicing as a Key Environmental Aspect

- thanks to modular construction, users can replace individual components without replacing the entire lamp
- easy repair capability extends product life and reduces waste
- KLUS, the manufacturer of the TULIP fixture, ensures spare parts availability, further emphasizing the eco-friendly nature of this luminaire

Corporate Headquarter

Słoneczna 126 St.
05-506 Kolonia Lesznówola

Business Development – EXPORT

+48 603 606 780
info@klus.pl

Handling of complex orders - EXPORT

phone +48 22 757 40 51 ext. 22
orders@klus.pl

Technical support:

Services for architects, lighting salons:
+48 539 269 354
architects@klus.pl