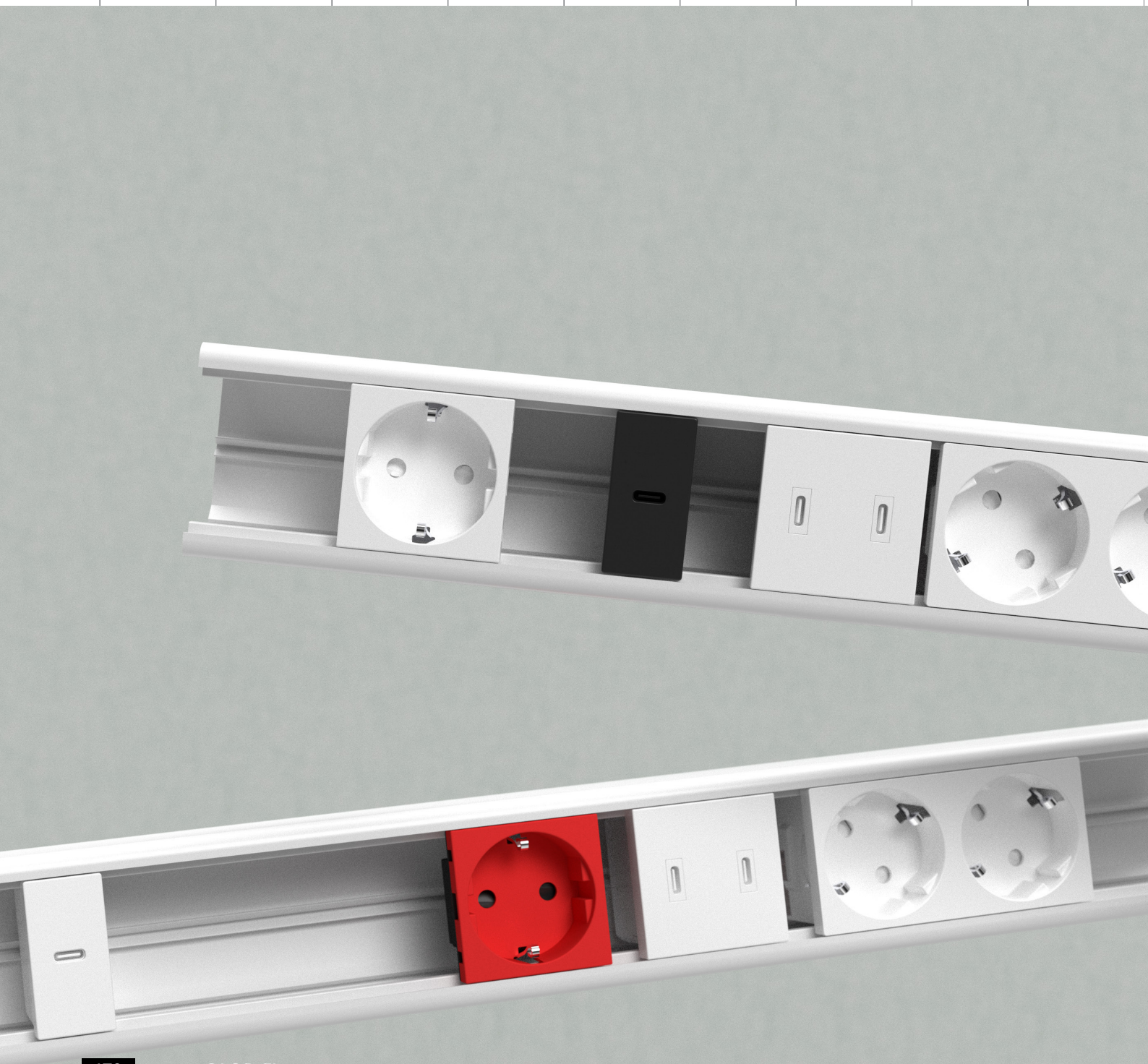


USB and trunking systems



Our USB charging modules are engineered with uncompromising standards for quality and safety, ensuring dependable performance around the clock.

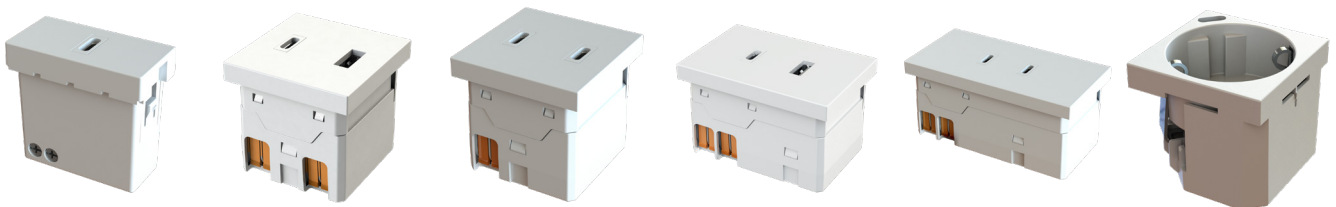
With fast-charging capability, these modules meet the growing demands of modern devices. We also offer flexible customisation, so each module can be tailored to suit your specific installation requirements without compromising efficiency or aesthetics.

Our comprehensive trunking system range provides a robust, organised solution for distributing power and connectivity across diverse spaces. Available in 0.5, 1.0, 1.5, and 2.0 module configurations,

these units integrate seamlessly with the industry's most widely used trunking channels. Choose from versatile Type C, Type A+C, or dual Type C options, delivering reliable charging power from 20W up to an impressive 140W.

The range also includes single and double socket modules, offering an all-in-one solution for keeping devices charged and plugged in securely. Designed for straightforward wall-mounted installation, our trunking systems are ideal for offices, educational institutions, healthcare facilities, and other professional settings where orderly wiring and dependable access to power are essential. Stay connected - efficiently, safely, and without compromise.

PRODUCT RANGE



FAST CHARGING CAPABILITIES

Our fast-charging modules cover every need, offering reliable power at 20W, 45W, 65W, 100W, and up to an impressive 140W, ensuring everything from smartphones to high-demand laptops are charged swiftly and efficiently.

USB and socket modules



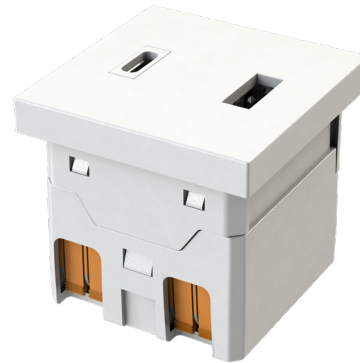
0.5 module Type C 20W

20W **IP20** **PP** **HALOGEN FREE**

Colour: white, black
 Complies with the standard(s): IEC60670-1,
 Fire hazard test: 850°C (IEC60695-2-11)
 ISO certifications: ISO 9001, ISO 14001, ISO 45001
 Certificates: CE, Intertek
 Conforms with: LVD, RoHS, WEEE

This is a compact, half-module (22.5×45×42mm) designed for seamless integration into trunking systems. It features a Type C port and provides reliable charging for various devices with an output of 5V-3A, 9V-2.22A, and 12V-1.67A, delivering up to 20W of power. The module operates on an input range of AC100-250V 50/60Hz and uses screw terminals for secure connections, supporting terminal capacities of 2 × 1 × 2.5mm². This charging module is ideal for efficient, high-speed charging in commercial and office environments.

| REFERENCE | PACKAGING OPTIONS |
|-----------|-------------------|
| 05C20W | 1PCS |



1.0 module Type A+C 20W two terminals

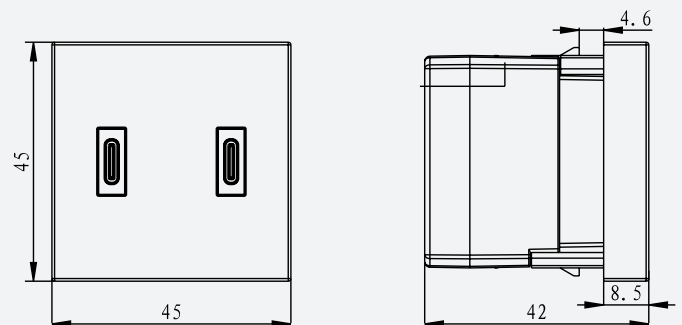
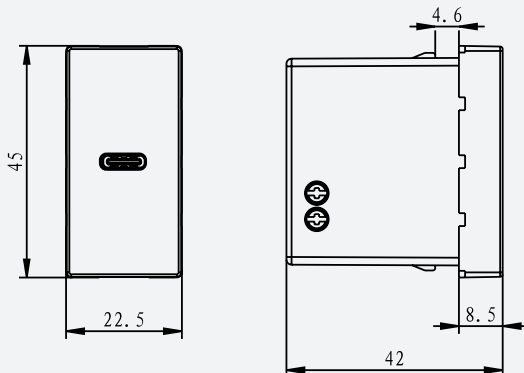
20W **IP20** **PP** **HALOGEN FREE**

Colour: white, black
 Complies with the standard(s): IEC60670-1,
 Fire hazard test: 850°C (IEC60695-2-11)
 ISO certifications: ISO 9001, ISO 14001, ISO 45001
 Certificates: CE, Intertek
 Conforms with: LVD, RoHS, WEEE

This 1-module (45×45×42mm) provides versatile charging options with both Type A and Type C ports. It operates on AC100-250V 50/60Hz input, delivering a total power of 20W. The Type A port supports QC18W (5V-3A; 9V-2A; 12V-1.5A), while the Type C port offers PD20W (5V-3A; 9V-2.22A; 12V-1.67A). When both ports are used simultaneously (A + C), the output is 5V-3A. The module features a screwless terminal with an operating lever, accommodating terminal capacities of 2 × 2 × 2.5 mm².

| REFERENCE | PACKAGING OPTIONS |
|-----------|-------------------|
| 10AC20W | 1PCS |

Technical drawings





1.0 module Type A+C 45W one terminal

45W

IP20

PP

HALOGEN FREE

Colour: white, black
 Complies with the standard(s): IEC60670-1,
 Fire hazard test: 850°C (IEC60695-2-11)
 ISO certifications: ISO 9001, ISO 14001, ISO 45001
 Certificates: CE, Intertek
 Conforms with: LVD, RoHS, WEEE

This 1-module (45×45×42mm) provides versatile charging options with both Type A and Type C ports. It operates on AC100-250V 50/60Hz input, delivering a total power of 20W. The Type A port supports QC18W (5V-3A; 9V-2A; 12V-1.5A), while the Type C port offers PD20W (5V-3A; 9V-2.22A; 12V-1.67A). When both ports are used simultaneously (A + C), the output is 5V-3A. The module features a screwless terminal with an operating lever, accommodating terminal capacities of 2 × 2 × 2.5 mm².

| REFERENCE | PACKAGING OPTIONS |
|-----------|-------------------|
| 10AC45W | 1PCS |



1.0 module Type A+C 65W one terminal

65W

IP20

PP

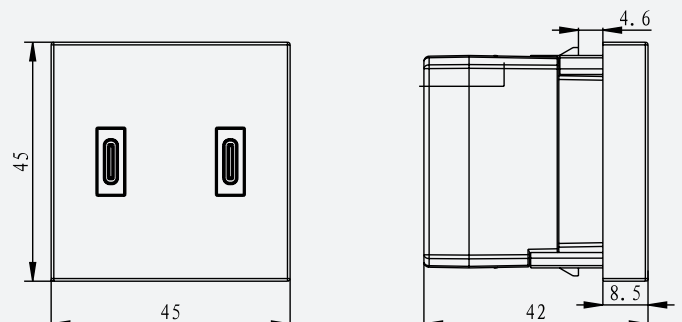
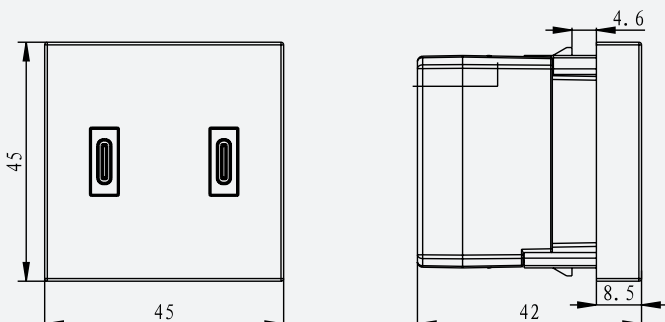
HALOGEN FREE

Colour: white, black
 Complies with the standard(s): IEC60670-1,
 Fire hazard test: 850°C (IEC60695-2-11)
 ISO certifications: ISO 9001, ISO 14001, ISO 45001
 Certificates: CE, Intertek
 Conforms with: LVD, RoHS, WEEE

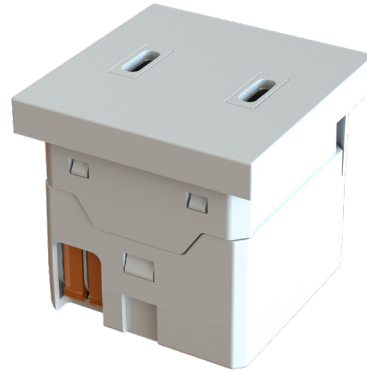
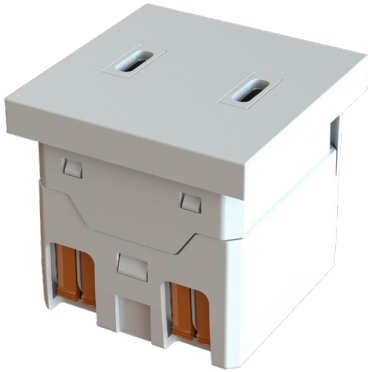
This 1-module operates on AC230V 50/60Hz input, providing up to 65W of power. The Type A port delivers QC36W (5V-3A; 9V-3A; 12V-3A), while the Type C port supports PD65W (5V-3A; 9V-3A; 12V-3A; 15V-3A; 20V-3.25A) for fast charging of a wide range of devices. When both ports are in use, the output is split into A18W (5V-3A; 9V-2A; 12V-1.5A) and C45W (5V-3A; 9V-3A; 12V-3A; 15V-3A; 20V-2.25A). The module features screwless terminals with a terminal capacity of 2 × 1 × 2.5 mm².

| REFERENCE | PACKAGING OPTIONS |
|-----------|-------------------|
| 10AC65W | 1PCS |

Technical drawings



USB and socket modules



1.0 module Type C+C 20W two terminals

20W **IP20** **PP** **HALOGEN FREE**

Colour: white, black
 Complies with the standard(s): IEC60670-1,
 Fire hazard test: 850°C (IEC60695-2-11)
 ISO certifications: ISO 9001, ISO 14001, ISO 45001
 Certificates: CE, Intertek
 Conforms with: LVD, RoHS, WEEE

This 1-module features dual Type C ports. Operating on an input of AC100-250V 50/60Hz, it provides a total power output of 20W. Each Type C port supports PD20W (5V-3A; 9V-2.22A; 12V-1.67A) for fast charging. When both ports are used simultaneously (C+C), the output is 5V-2A. The module is equipped with screwless terminals and an operating lever, allowing for quick and easy installation with a terminal capacity of $2 \times 2 \times 2.5 \text{ mm}^2$.

| REFERENCE | PACKAGING OPTIONS |
|-----------|-------------------|
| 10CC20W | 1PCS |

1.0 module Type C+C 45W one terminals

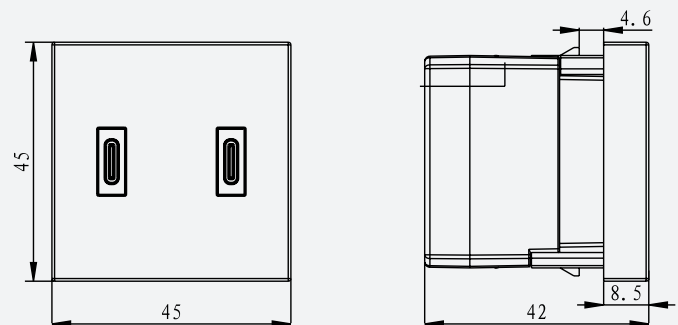
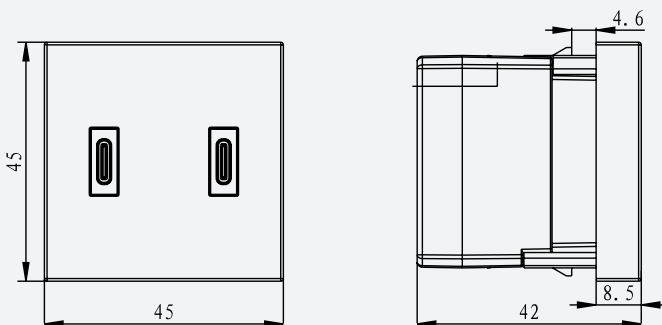
45W **IP20** **PP** **HALOGEN FREE**

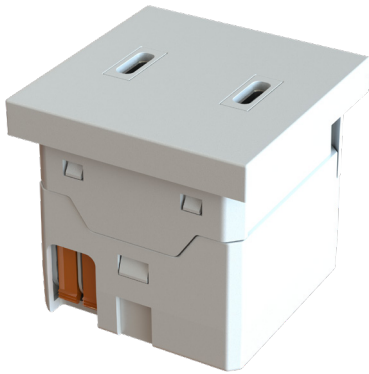
Colour: white, black
 Complies with the standard(s): IEC60670-1,
 Fire hazard test: 850°C (IEC60695-2-11)
 ISO certifications: ISO 9001, ISO 14001, ISO 45001
 Certificates: CE, Intertek
 Conforms with: LVD, RoHS, WEEE

This 1-module features dual Type C ports. With an input of AC100-250V 50/60Hz, it delivers up to 45W of power. A single Type C port provides PD45W (5V-3A; 9V-3A; 12V-3A; 15V-3A; 20V-2.25A) for fast charging of high-demand devices. When both ports (C1+C2) are used simultaneously, each port delivers PD20W (5V-3A; 9V-2.22A; 12V-1.67A; 15V-1.33A; 20V-1A). The module features screwless terminals and supports a terminal capacity of $2 \times 1 \times 2.5 \text{ mm}^2$.

| REFERENCE | PACKAGING OPTIONS |
|-----------|-------------------|
| 10CC45W | 1PCS |

Technical drawings





1.0 module Type C+C 65W one terminals

65W IP20 PP HALOGEN FREE

Colour: white, black
 Complies with the standard(s): IEC60670-1,
 Fire hazard test: 850°C (IEC60695-2-11)
 ISO certifications: ISO 9001, ISO 14001, ISO 45001
 Certificates: CE, Intertek
 Conforms with: LVD, RoHS, WEEE

This 1-module provides dual Type C ports. It operates on an input of AC230V 50/60Hz, delivering up to 65W of total power. A single Type C port offers PD65W (5V-3A; 9V-3A; 12V-3A; 15V-3A; 20V-3.25A), ideal for charging high-powered devices. When both ports (C1 + C2) are used simultaneously, C1 provides PD18W (5V-3A; 9V-2A; 12V-1.5A) and C2 delivers PD45W (5V-3A; 9V-3A; 12V-3A; 15V-3A; 20V-2.25A). Featuring screwless terminals, this module supports a terminal capacity of $2 \times 1 \times 2.5$ mm².

| REFERENCE | PACKAGING OPTIONS |
|-----------|-------------------|
| 10CC65W | 1PCS |



1.0 module socket Type C 7.5W

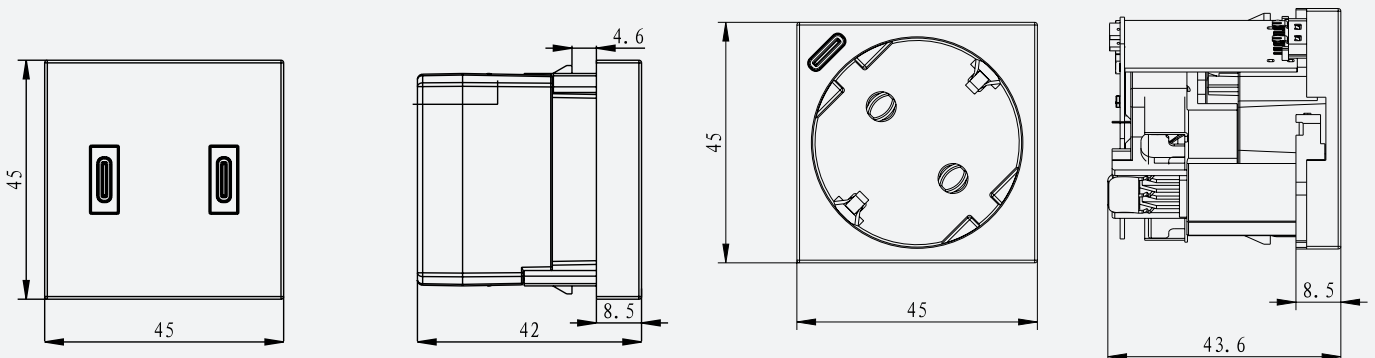
7.5W IP20 PP HALOGEN FREE

Colour: white, black
 Complies with the standard(s): IEC60670-1,
 Fire hazard test: 850°C (IEC60695-2-11)
 ISO certifications: ISO 9001, ISO 14001, ISO 45001
 Certificates: CE, Intertek
 Conforms with: LVD, RoHS, WEEE

This socket module is designed to provide both a standard socket and a USB Type C port for convenient device charging. It operates on an AC230V 50/60Hz input and delivers up to 7.5W of power with a 5V-1.5A output for efficient charging of low-power devices. The module features screwless terminals with an operating lever, ensuring quick and secure installation, and supports a terminal capacity of $3 \times 2 \times 2.5$ mm². Ideal for office environments, this compact solution combines power access with USB charging in a single module.

| REFERENCE | PACKAGING OPTIONS |
|-----------|-------------------|
| 10SC7W | 1PCS |

Technical drawings



USB and socket modules



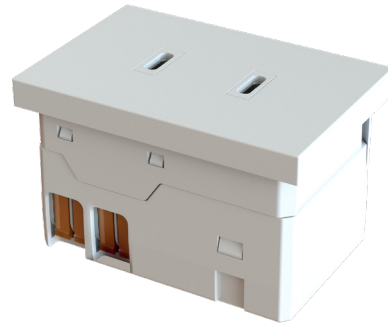
1.5 module Type A+C 65W two terminals

65W **IP20** **PP** **HALOGEN FREE**

Colour: white, black
 Complies with the standard(s): IEC60670-1,
 Fire hazard test: 850°C (IEC60695-2-11)
 ISO certifications: ISO 9001, ISO 14001, ISO 45001
 Certificates: CE, Intertek
 Conforms with: LVD, RoHS, WEEE

This 1.5-module operates on AC100-250V 50/60Hz input, providing up to 65W of total power. The Type A port delivers QC36W (5V-3A; 9V-3A; 12V-3A) for fast charging, while the Type C port supports PD65W (5V-3A; 9V-3A; 12V-3A; 15V-3A; 20V-3.25A). When both ports are used simultaneously, the output is A18W (5V-3A; 9V-2A; 12V-1.5A) and C45W (5V-3A; 9V-3A; 12V-3A; 15V-3A; 20V-2.25A). The module features screwless terminals and supports a terminal capacity of 2 × 2 × 2.5 mm².

| REFERENCE | PACKAGING OPTIONS |
|-----------|-------------------|
| 15AC65W | 1PCS |



1.5 module Type C+C 65W two terminals

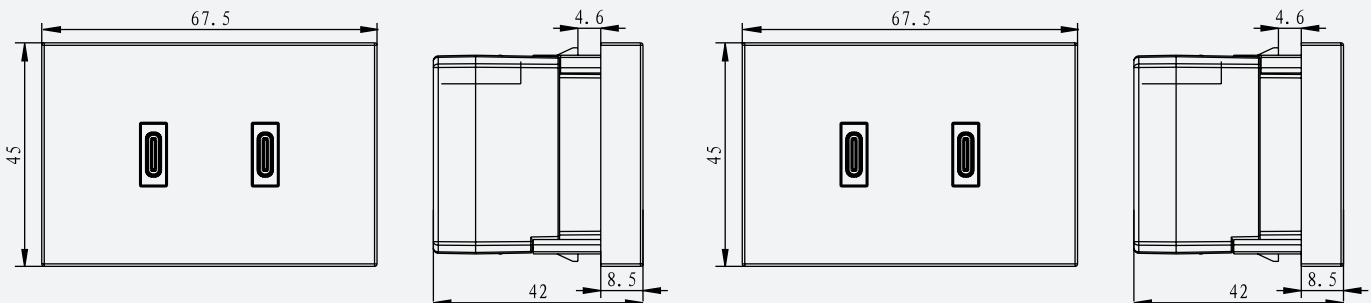
65W **IP20** **PP** **HALOGEN FREE**

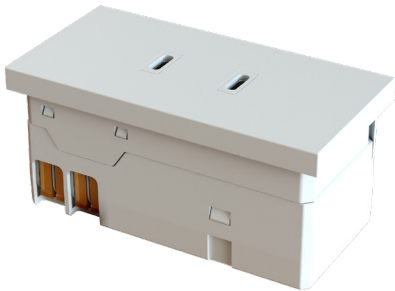
Colour: white, black
 Complies with the standard(s): IEC60670-1,
 Fire hazard test: 850°C (IEC60695-2-11)
 ISO certifications: ISO 9001, ISO 14001, ISO 45001
 Certificates: CE, Intertek
 Conforms with: LVD, RoHS, WEEE

This module offers dual Type C ports for powerful and flexible charging. It operates on an AC100-250V 50/60Hz input, providing up to 65W of total power. A single Type C port supports PD65W (5V-3A; 9V-3A; 12V-3A; 15V-3A; 20V-3.25A). When both ports are used simultaneously, the output is split between C1 (PD18W, 5V-3A; 9V-2A; 12V-1.5A) and C2 (PD45W, 5V-3A; 9V-3A; 12V-3A; 15V-3A; 20V-2.25A). The module features screwless terminals and supports a terminal capacity of 2 × 2 × 2.5 mm².

| REFERENCE | PACKAGING OPTIONS |
|-----------|-------------------|
| 15CC65W | 1PCS |

Technical drawings





2.0 module Type C+C 100W two terminals

100W

IP20

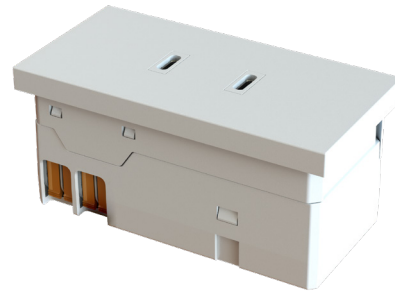
PP

HALOGEN FREE

Colour: white, black
 Complies with the standard(s): IEC60670-1,
 Fire hazard test: 850°C (IEC60695-2-11)
 ISO certifications: ISO 9001, ISO 14001, ISO 45001
 Certificates: CE, Intertek
 Conforms with: LVD, RoHS, WEEE

This 2-module has an input of AC100-250V 50/60Hz and a total power capacity of 100W. A single Type C port delivers up to PD100W (5V-3A; 9V-3A; 12V-3A; 15V-3A; 20V-5A). When both ports are used, C1 outputs PD65W (5V-3A; 9V-3A; 12V-3A; 15V-3A; 20V-3.25A) and C2 delivers PD30W (5V-3A; 9V-3A; 12V-2.5A; 15V-2A; 20V-1.5A), ensuring optimal power distribution. The module features screwless terminals and a terminal capacity of $2 \times 2 \times 2.5 \text{ mm}^2$.

| REFERENCE | PACKAGING OPTIONS |
|-----------|-------------------|
| 20CC100W | 1PCS |



2.0 module Type C+C 140W two terminals

140W

IP20

PP

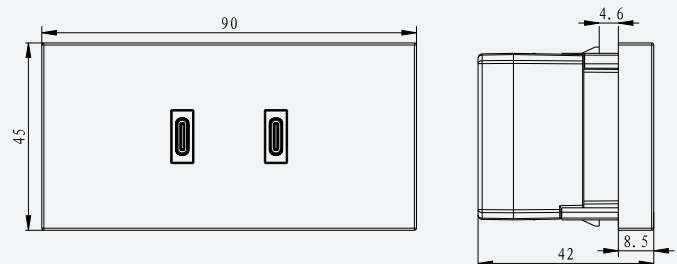
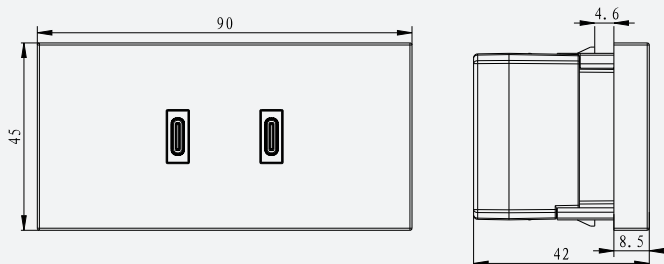
HALOGEN FREE

Colour: white, black
 Complies with the standard(s): IEC60670-1,
 Fire hazard test: 850°C (IEC60695-2-11)
 ISO certifications: ISO 9001, ISO 14001, ISO 45001
 Certificates: CE, Intertek
 Conforms with: LVD, RoHS, WEEE

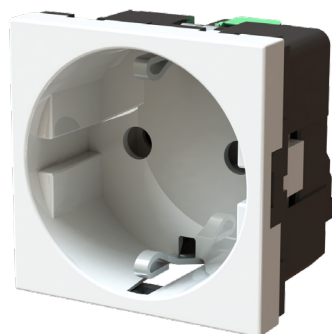
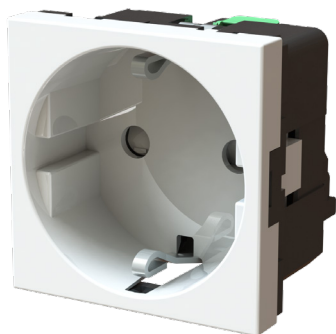
This module offers dual Type C ports with a high total power capacity of 140W. It operates on AC100-250V 50/60Hz input, providing a single port output of PD140W (5V-3A; 9V-3A; 12V-3A; 15V-3A; 20V-5A; 28V-5A). When both ports are used, each delivers PD65W (5V-3A; 9V-3A; 12V-3A; 15V-3A; 20V-3.25A). The module has screwless terminals and a terminal capacity of $2 \times 2 \times 2.5 \text{ mm}^2$.

| REFERENCE | PACKAGING OPTIONS |
|-----------|-------------------|
| 20CC140W | 1PCS |

Technical drawings



USB and socket modules



1.0 module 1-way socket, 0°, with shutter

ETM880SQ **IP20** **PC** **HALOGEN FREE**

Colour: white, black, red
 Technical data: 16A 250V 50Hz
 Complies with the standard(s): IEC60884-1,
 Fire hazard test: 850°C (IEC60695-2-11)
 ISO certifications: ISO 9001, ISO 14001, ISO 45001
 Certificates: Semko
 Conforms with: RoHS, WEEE
 Working temperature indoor: -25°C to +60°C
 Installation temperature: -5°C to +25°C

45mm series trunking module socket with shutter, designed for fixing cable conduit sockets in household, commercial, and industrial installations. Matches 45mm profile and fits F80 profiles via adaptor. Offers 0° orientation with improved screwless terminals for 0.75–2.5 mm² rigid or flexible conductors.

| REFERENCE | PACKAGING OPTIONS |
|-----------|-------------------|
| ETM880SQ | 1PCS |

1.0 module 1-way socket, 0°, without shutter

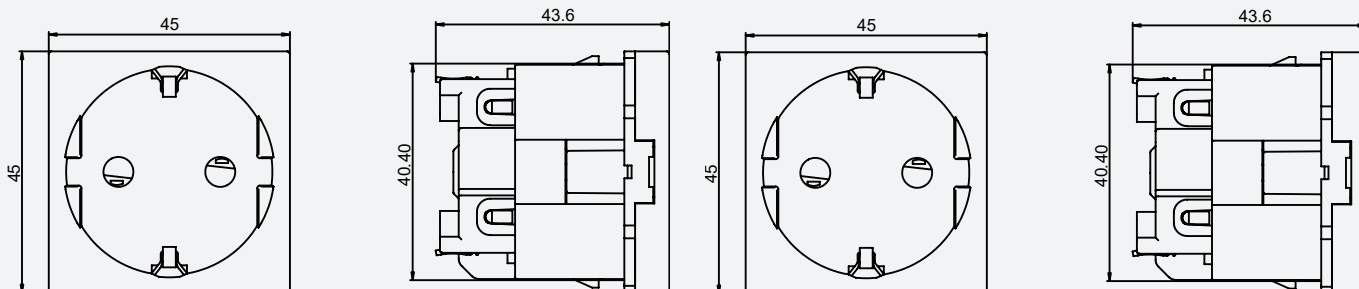
ETM880SQ **IP20** **PC** **HALOGEN FREE**

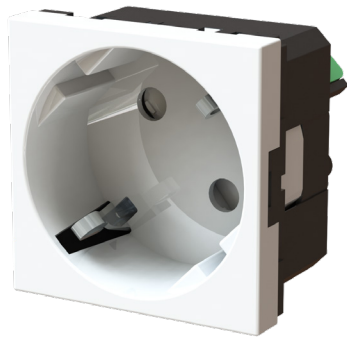
Colour: white, black, red
 Technical data: 16A 250V 50Hz
 Complies with the standard(s): IEC60884-1,
 Fire hazard test: 850°C (IEC60695-2-11)
 ISO certifications: ISO 9001, ISO 14001, ISO 45001
 Certificates: Semko
 Conforms with: RoHS, WEEE
 Working temperature indoor: -25°C to +60°C
 Installation temperature: -5°C to +25°C

45mm series trunking module socket without shutter, designed for fixing cable conduit sockets in household, commercial, and industrial installations. Matches 45mm profile and fits F80 profiles via adaptor. Offers 0° orientation with improved screwless terminals for 0.75–2.5 mm² rigid or flexible conductors.

| REFERENCE | PACKAGING OPTIONS |
|-----------|-------------------|
| ETM880SQ | 1PCS |

Technical drawings





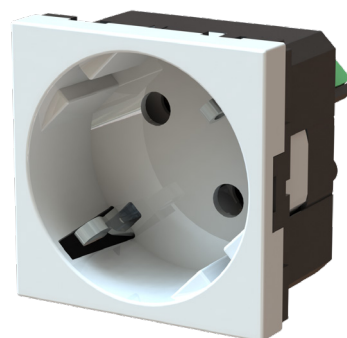
1.0 module 1-way socket, 45°, with shutter

ETM881SQ **IP20** **PC** **HALOGEN FREE**

Colour: white, black, red
 Technical data: 16A 250V 50Hz
 Complies with the standard(s): IEC60884-1,
 Fire hazard test: 850°C (IEC60695-2-11)
 ISO certifications: ISO 9001, ISO 14001, ISO 45001
 Certificates: Semko
 Conforms with: RoHS, WEEE
 Working temperature indoor: -25°C to +60°C
 Installation temperature: -5°C to +25°C

45mm series trunking module socket with shutter, designed for fixing cable conduit sockets in household, commercial, and industrial installations. Matches 45mm profile and fits F80 profiles via adaptor. Offers 45° orientation with improved screwless terminals for 0.75–2.5 mm² rigid or flexible conductors.

| REFERENCE | PACKAGING OPTIONS |
|-----------|-------------------|
| ETM881SQ | 1PCS |



1.0 module 1-way socket, 45°, without shutter

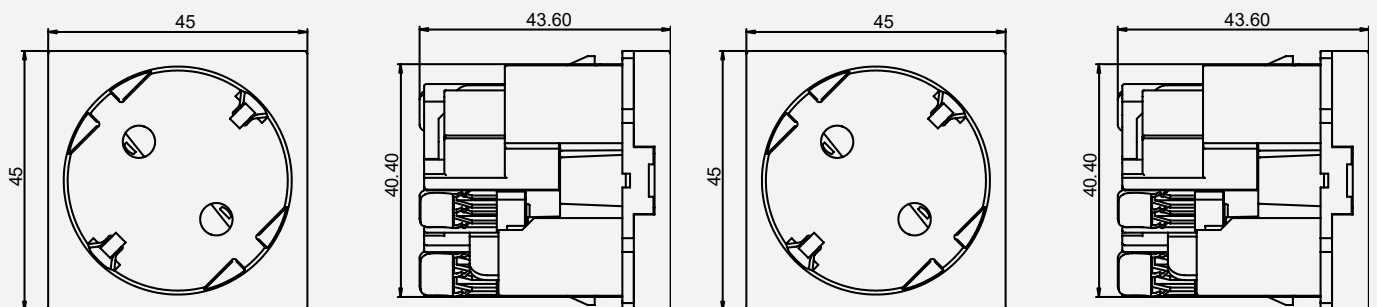
ETM881SQ **IP20** **PC** **HALOGEN FREE**

Colour: white, black, red
 Technical data: 16A 250V 50Hz
 Complies with the standard(s): IEC60884-1,
 Fire hazard test: 850°C (IEC60695-2-11)
 ISO certifications: ISO 9001, ISO 14001, ISO 45001
 Certificates: Semko
 Conforms with: RoHS, WEEE
 Working temperature indoor: -25°C to +60°C
 Installation temperature: -5°C to +25°C

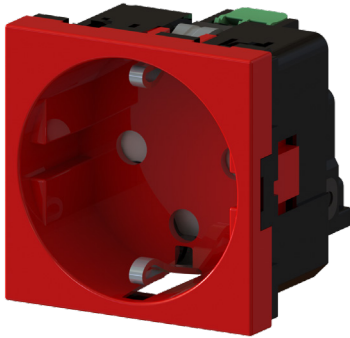
45mm series trunking module socket without shutter, designed for fixing cable conduit sockets in household, commercial, and industrial installations. Matches 45mm profile and fits F80 profiles via adaptor. Offers 45° orientation with improved screwless terminals for 0.75–2.5 mm² rigid or flexible conductors.

| REFERENCE | PACKAGING OPTIONS |
|-----------|-------------------|
| ETM881SQ | 1PCS |

Technical drawings



USB and socket modules



1.0 module 1-way emergency socket, 0°, with shutter

ETM882SQ **IP20** **PC** **HALOGEN FREE**

Colour: white, black, red
 Technical data: 16A 250V 50Hz
 Complies with the standard(s): IEC60884-1,
 Fire hazard test: 850°C (IEC60695-2-11)
 ISO certifications: ISO 9001, ISO 14001, ISO 45001
 Certificates: Semko
 Conforms with: RoHS, WEEE
 Working temperature indoor: -25°C to +60°C
 Installation temperature: -5°C to +25°C

45mm series trunking module emergency socket for critical power supply in hospitals, emergency lighting, and other essential applications. Compatible with 45mm and F80 profiles via adaptor. Prevents use with standard plugs - requires matching accessory for access (ETM883S). Available in 0° orientation with improved screwless terminals for 0.75–2.5 mm² rigid or flexible conductors.

| REFERENCE | PACKAGING OPTIONS |
|-----------|-------------------|
| ETM882SQ | 1PCS |



2-way socket, 35°, with shutter

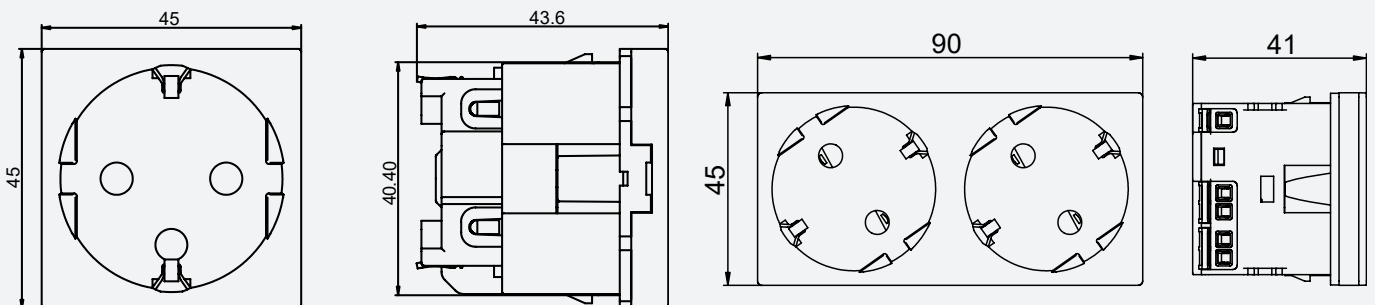
ETM884SQ **IP20** **PC** **HALOGEN FREE**

Colour: white, black, red
 Technical data: 16A 250V 50Hz
 Complies with the standard(s): IEC60884-1,
 Fire hazard test: 850°C (IEC60695-2-11)
 ISO certifications: ISO 9001, ISO 14001, ISO 45001
 Certificates: Semko
 Conforms with: RoHS, WEEE
 Working temperature indoor: -25°C to +60°C
 Installation temperature: -5°C to +25°C

45 series two-way socket for cable conduit installations in residential, public, and industrial settings, indoors or outdoors. Matches 45mm profile, fits F80 profiles via adaptor, and offers 35° orientation. Features improved screwless terminals for 1.5–2.5 mm² rigid solid or stranded conductors. Multiple 2-way sockets can be linked using connecting piece ETM896S. Thermoplastic cover with shutter ensures safety and durability.

| REFERENCE | PACKAGING OPTIONS |
|-----------|-------------------|
| ETM884SQ | 1PCS |

Technical drawings





3-way socket, 35°, with shutter

ETM885SQ IP20 PC HALOGEN FREE

Colour: white, black, red
 Technical data: 16A 250V 50Hz
 Complies with the standard(s): IEC60884-1,
 Fire hazard test: 850°C (IEC60695-2-11)
 ISO certifications: ISO 9001, ISO 14001, ISO 45001
 Certificates: Semko
 Conforms with: RoHS, WEEE
 Working temperature indoor: -25°C to +60°C
 Installation temperature: -5°C to +25°C

45 series three-way socket for cable conduit installations in residential, public, and industrial settings, indoors or outdoors. Matches 45mm profile, fits F80 profiles via adaptor, and offers 35° orientation. Features improved screwless terminals for 1.5-2.5 mm² rigid solid or stranded conductors. Multiple 2-way and 3-way sockets can be linked using connecting piece ETM896S. Thermoplastic cover with shutter ensures safety and durability.

| REFERENCE | PACKAGING OPTIONS |
|-----------|-------------------|
| ETM885SQ | 1PCS |



Emergency socket accessory

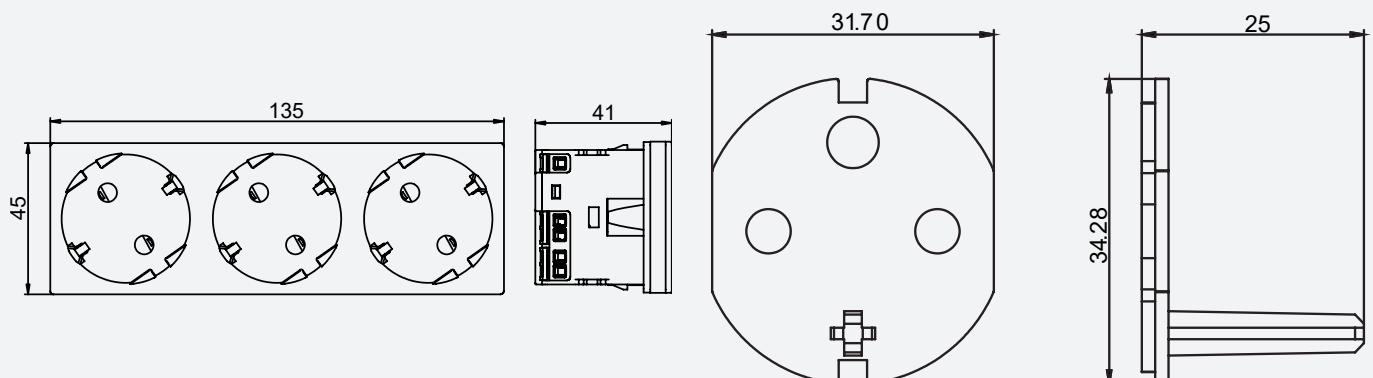
ETM883S IP20 PC HALOGEN FREE

Colour: red
 Complies with the standard(s): IEC60884-1,
 Fire hazard test: 850°C (IEC60695-2-11)
 ISO certifications: ISO 9001, ISO 14001, ISO 45001
 Certificates: Semko
 Conforms with: RoHS, WEEE
 Working temperature indoor: -25°C to +60°C
 Installation temperature: -5°C to +25°C

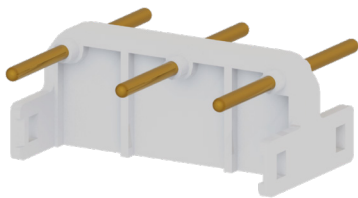
Emergency socket accessory designed to enable standard plugs to connect to emergency sockets, granting access to reserve power sources during outages and critical situations. Ideal for powering essential devices when normal supply is unavailable. Durable construction ensures reliable use in emergency conditions.

| REFERENCE | PACKAGING OPTIONS |
|-----------|-------------------|
| ETM883S | 1PCS |

Technical drawings



USB and socket modules



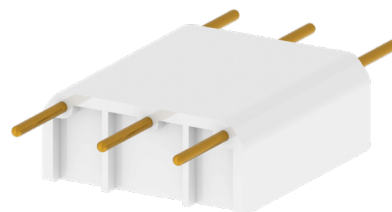
Connecting antenna for 2-way and 3-way sockets, short

ETM896S IP20 PC HALOGEN FREE

Colour: white
 Complies with the standard(s): IEC60884-1,
 Fire hazard test: 850°C (IEC60695-2-11)
 ISO certifications: ISO 9001, ISO 14001, ISO 45001
 Certificates: Semko
 Conforms with: RoHS, WEEE
 Working temperature indoor: -25°C to +60°C
 Installation temperature: -5°C to +25°C

A short connecting antenna for 2-way and 3-way socket modules, enabling secure electrical linking between modules. Designed for quick installation and reliable performance in modular socket systems.

| REFERENCE | PACKAGING OPTIONS |
|-----------|-------------------|
| ETM896S | 1PCS |



Connecting antenna for 2-way and 3-way sockets, long

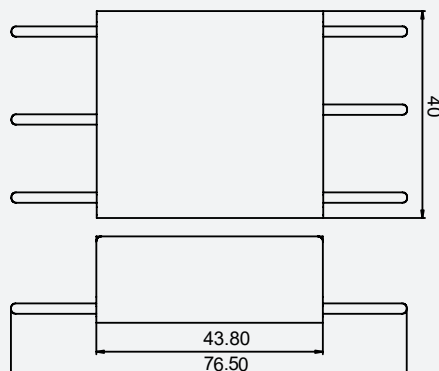
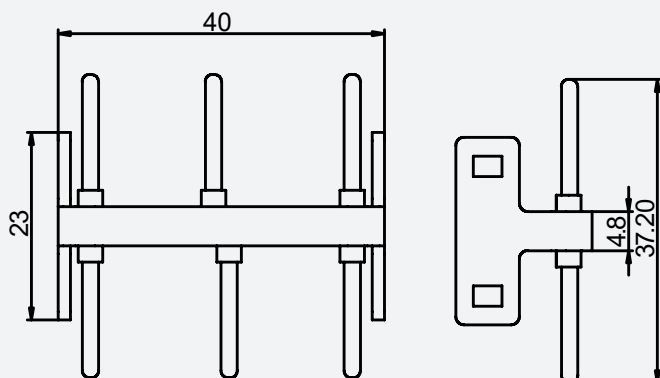
ETM897S IP20 PC HALOGEN FREE

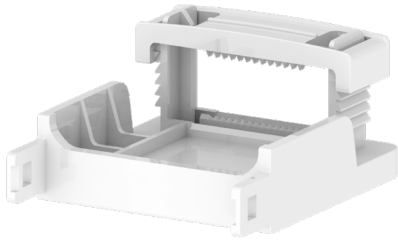
Colour: white
 Complies with the standard(s): IEC60884-1,
 Fire hazard test: 850°C (IEC60695-2-11)
 ISO certifications: ISO 9001, ISO 14001, ISO 45001
 Certificates: Semko
 Conforms with: RoHS, WEEE
 Working temperature indoor: -25°C to +60°C
 Installation temperature: -5°C to +25°C

A long connecting antenna for 2-way and 3-way socket modules, enabling secure electrical linking between modules. Designed for quick installation and reliable performance in modular socket systems.

| REFERENCE | PACKAGING OPTIONS |
|-----------|-------------------|
| ETM897S | 1PCS |

Technical drawings





Strain relief

ETM898S

IP20

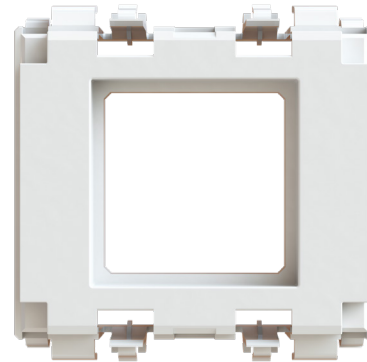
PC

HALOGEN FREE

Colour: white
 Complies with the standard(s): IEC60884-1,
 Fire hazard test: 850°C (IEC60695-2-11)
 ISO certifications: ISO 9001, ISO 14001, ISO 45001
 Certificates: Semko
 Conforms with: RoHS, WEEE
 Working temperature indoor: -25°C to +60°C
 Installation temperature: -5°C to +25°C

Strain relief for trunking module sockets, designed to securely hold and protect cables during and after installation. Suitable for wire specifications 3×1.5 mm², 3×2.5 mm², 5×1.5 mm², and 5×2.5 mm², ensuring safe, stable, and durable cable connections in various applications.

| REFERENCE | PACKAGING OPTIONS |
|-----------|-------------------|
| ETM898S | 1PCS |



Adaptor for F80 profiles

IP20

PC

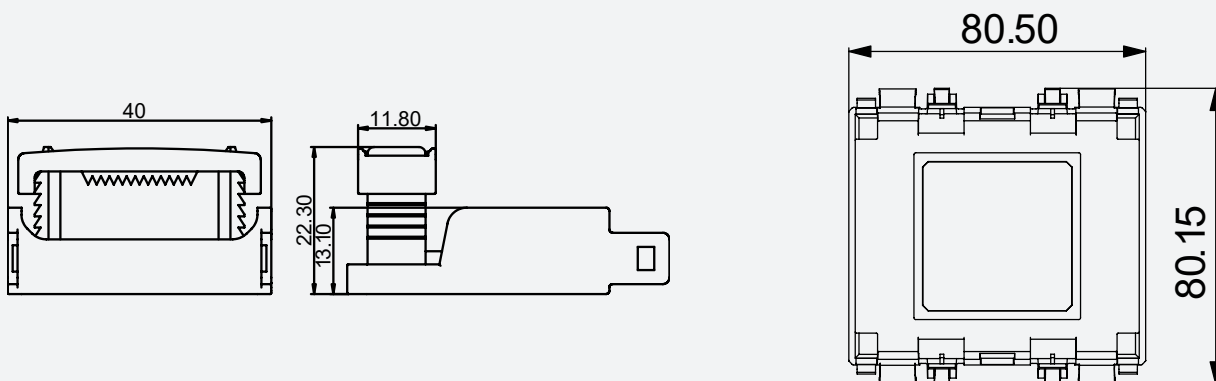
HALOGEN FREE

Colour: white
 Complies with the standard(s): IEC60884-1,
 Fire hazard test: 850°C (IEC60695-2-11)
 ISO certifications: ISO 9001, ISO 14001, ISO 45001
 Certificates: Semko
 Conforms with: RoHS, WEEE
 Working temperature indoor: -25°C to +60°C
 Installation temperature: -5°C to +25°C

Adaptor designed to enable the installation of 45 mm modules in F80 trunking channels. Provides a secure and precise fit, ensuring compatibility between systems while maintaining a clean, professional finish for electrical installations in residential, commercial, and industrial environments.

| REFERENCE | PACKAGING OPTIONS |
|-----------|-------------------|
| | 1PCS |

Technical drawings



USB and socket modules



Switch for trunking systems

IP20 **PC** **HALOGEN FREE**

Colour: white
 Complies with the standard(s): IEC60884-1,
 Fire hazard test: 850°C (IEC60695-2-11)
 ISO certifications: ISO 9001, ISO 14001, ISO 45001
 Certificates: Semko
 Conforms with: RoHS, WEEE
 Working temperature indoor: -25°C to +60°C
 Installation temperature: -5°C to +25°C

0.5 trunking module switch, available in single-control or double-control versions. Rated at 250V~16A, measuring 45×22.5 mm. Equipped with durable screw terminals for secure wiring. Designed for reliable switching in residential, commercial, and industrial trunking installations.

| REFERENCE | PACKAGING OPTIONS |
|-----------|-------------------|
| | 1PCS |



0.5 module RJ45

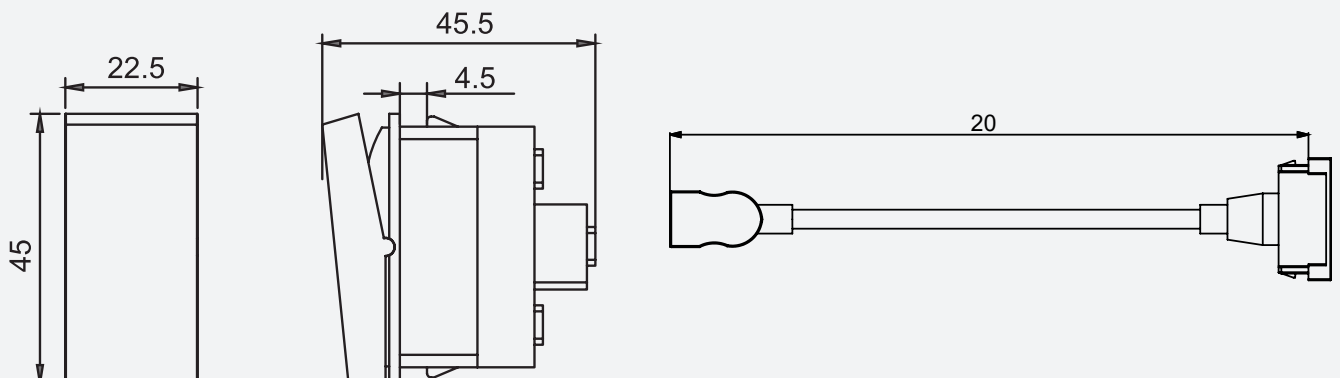
IP20 **PC** **HALOGEN FREE**

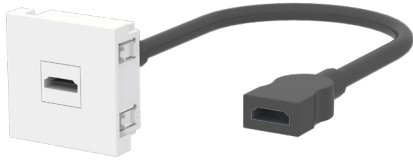
Colour: white
 Complies with the standard(s): IEC60884-1,
 Fire hazard test: 850°C (IEC60695-2-11)
 ISO certifications: ISO 9001, ISO 14001, ISO 45001
 Certificates: Semko
 Conforms with: RoHS, WEEE
 Working temperature indoor: -25°C to +60°C
 Installation temperature: -5°C to +25°C

0.5 trunking module RJ45 cover with shutter lid. Designed to protect RJ45 ports from dust and damage while maintaining easy access. Fits standard 45×22.5 mm trunking modules, ensuring a neat, secure finish for network installations.

| REFERENCE | PACKAGING OPTIONS |
|-----------|-------------------|
| | 1PCS |

Technical drawings





1.0 module RJ45

IP20 **HALOGEN FREE**

Colour: white
 Complies with the standard(s): IEC60884-1,
 Fire hazard test: 850°C (IEC60695-2-11)
 ISO certifications: ISO 9001, ISO 14001, ISO 45001
 Certificates: Semko
 Conforms with: RoHS, WEEE
 Working temperature indoor: -25°C to +60°C
 Installation temperature: -5°C to +25°C

1.0 trunking module RJ45 cover with shutter lid. Protects RJ45 connectors from dust and debris while allowing easy access. Designed for standard 45×45 mm trunking modules, providing a clean, secure finish for professional network installations.

| REFERENCE | PACKAGING OPTIONS |
|-----------|-------------------|
| | 1PCS |



Fast charging USB cables

ETM700AC **PVC** **BRAIDED**

ETM700CC

Colour: white, braided
 Length: 1.5m
 Charging current: 5A
 Data transfer: 480Mbps
 Safety features: overheating protection
 Durability: mating and unmating 10000 cycles minimum
 Conforms with: CE, RoHS, REACH
 Operating temperature: -55°C to 85°C

Fast-charging USB cables designed for performance and durability. Available in Type-C to Type-A and Type-C to Type-C, each cable is 1.5m long, white braided, and supports 5A charging current with 480Mbps data transfer. Built with overheating protection and tested for 10,000+ mating cycles.

| REFERENCE | PACKAGING OPTIONS | |
|-----------|-------------------|------|
| ETM700AC | 1PCS | 8PCS |
| ETM700CC | 1PCS | 8PCS |

Technical drawings

