

# TUBU

**Industrial and Agricultural  
LED Lighting Expert**

**2023-2024 CATALOGUE**

# LED Marine Searchlight





**High-Intensity LED  
Marine Searchlight**

**PAGE 77-78**

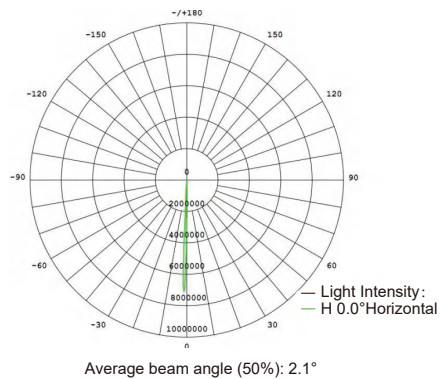


**IP66 Marine LED Searchlight**

**PAGE 79-80**

## Features

- Protection class: IP66
- Power: 120W / 240W / 300W available
- Luminous flux:  $\geq 10000$  lm
- Irradiation distance:  $\geq 2500$  m (1LUX)
- Beam angle:  $3.5^\circ / 2.5^\circ$
- Slip-rings provide continuous 360-degree horizontal rotation with no stop points
- Auto-return to home position
- Auto-scan with user programmability
- Advanced proportional-speed control
- Approved for temperatures down to  $-35^\circ\text{C}$  and up to  $+55^\circ\text{C}$
- Materials: marine grade aluminum and stainless steel with salt-resistant powder coat finish
- Lower power consumption: LED's consume 75% or more less power than Halogen lamps
- Longer life: LED's last tens-of-thousands of hours compared to approximately 250 to 750 hours depending upon the Halogen lamp. This reduces lamp replacement costs, increases reliability



|       |         |            |
|-------|---------|------------|
| 25m   | 11037lx | 87.28cm    |
| 50m   | 2759lx  | 174.55cm   |
| 100m  | 689.8lx | 349.10cm   |
| 200m  | 172.5lx | 698.20cm   |
| 500m  | 27.59lx | 1745.51cm  |
| 1000m | 6.90lx  | 3491.01cm  |
| 2000m | 1.72lx  | 6982.03cm  |
| 3000m | 0.77lx  | 10473.04cm |
| 7000m | 0.14lx  | 14437.09cm |

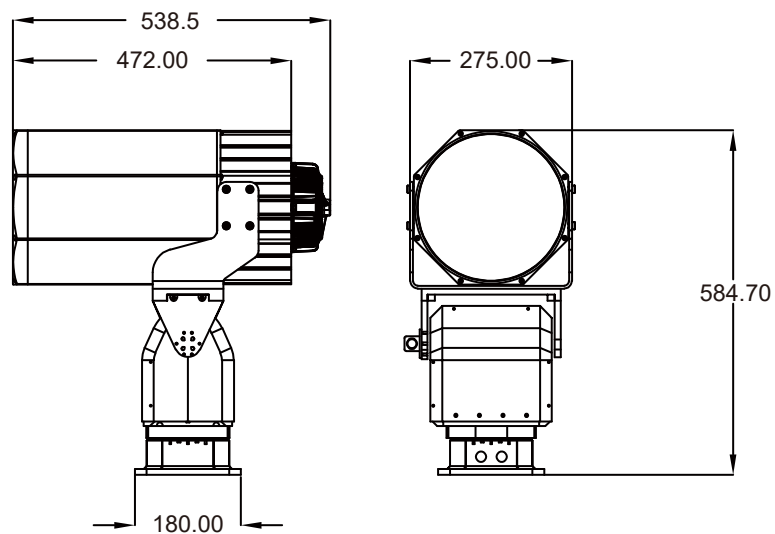
High Max Beam Angle:  $2.1^\circ$  Diameter

Note: The curve is the illumination area and the average illuminance in the area of the lamp under different projection distances

## Applications

- National defense
- Marine
- Military
- Water conservation
- Expedition and oil field
- Wharf
- Large surface warship
- Maritime search and rescue



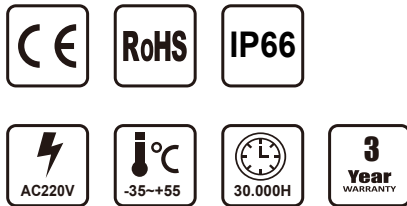
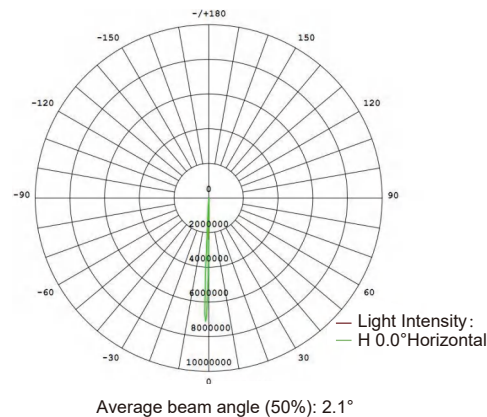


## Specifications

| Model                     | TB-SL120W                     | TB-SL200W  | TB-SL300W |      |
|---------------------------|-------------------------------|--|-----------|------|
| Light Information         | Light Source                  | LED  |           |      |
|                           | Power Consumption             | 120W   | 200W      | 300W |
|                           | Color Temperature             | 6500K  |           |      |
|                           | Input Voltage                 | AC100 ~ 277V (50/60Hz)   |           |      |
|                           | Working Temperature           | -35°C ~ +55°C  |           |      |
|                           | IP Rating                     | IP66   |           |      |
|                           | Lifespan                      | >30,000 hours  |           |      |
|                           | Beam Angle                    | 3°   |           |      |
|                           | Beam Distance                 | ≥2000m (1LUX)  |           |      |
|                           | Housing Material              | 1070 Pure aluminum cold forging, with salt-resistant, scratch-resistant white powder coat finish |           |      |
| Weight                    | 40Kg                          |  |           |      |
| Cloud Platform (Optional) | Adjustable Speed              | Horizontal: 0.1° ~ 25°/S, vertical 0.1° ~ 15°/S  |           |      |
|                           | Adjustable Angle              | Horizontal: 0° ~ 180° or 0° ~ 360°, vertical +30° ~ -30°, or customizable                        |           |      |
|                           | Preset Position               | 200pcs   |           |      |
|                           | Repeated Positioning Accuracy | ±0.2°  |           |      |
|                           | Communication Protocol        | Pelco-D, Pelco-P for option  |           |      |
|                           | Communication Baud Rate       | 2400 / 4800 / 9600 / 9200 bps for option   |           |      |
| Communication Interface   | RS485 / RS422                 |  |           |      |

## Features

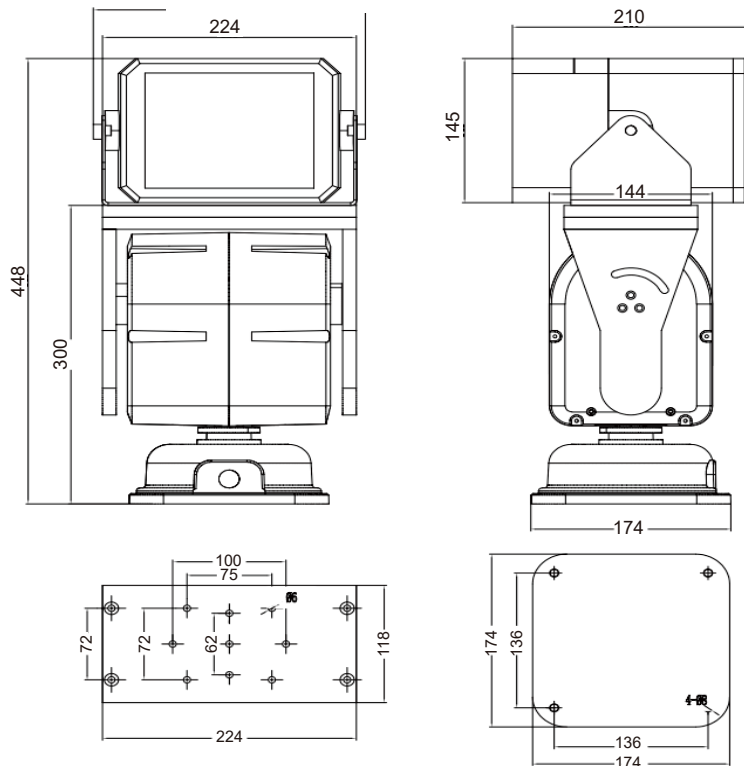
- Protection class: IP66
- Irradiation distance:  $\geq 500$  m (1LUX)
- Beam angle:  $4^\circ$
- Slip-rings provide continuous 360-degree horizontal rotation with no stop points
- Auto-return to home position
- Auto-scan with user programmability
- Advanced proportional-speed control
- Approved for temperatures down to  $-35^\circ\text{C}$  and up to  $+55^\circ\text{C}$
- Materials: marine grade aluminum and stainless steel with salt-resistant powder coat finish
- Lower power consumption: LED's consume 75% or more less power than Halogen lamps
- Longer life: LED's last tens-of-thousands of hours compared to approximately 250 to 750 hours depending upon the Halogen lamp. This reduces lamp replacement costs, increases reliability



## Applications

- National defense
- Marine
- Military
- Water conservation
- Expedition and oil field
- Wharf
- Large surface warship
- Maritime search and rescue





## Specifications

| Model                     | TB-SL80W                      |  |
|---------------------------|-------------------------------|--|
| Light Information         | Light Source                  | LED  |
|                           | Power Consumption             | 80W  |
|                           | Color Temperature             | 6500K  |
|                           | Input Voltage                 | AC220 V (50/60Hz)  |
|                           | Working Temperature           | -35°C ~ +55°C  |
|                           | IP Rating                     | IP66   |
|                           | Lifespan                      | >30,000 hours  |
|                           | Beam Angle                    | 5°   |
|                           | Beam Distance                 | ≥300m (1LUX)   |
|                           | Housing Material              | 1070 pure aluminum cold forging, with salt-resistant, scratch-resistant white powder coat finish |
| Weight                    | 10Kg                          |  |
| Cloud Platform (Optional) | Adjustable Speed              | Horizontal: 0.1° ~ 9°/S, vertical 0.1° ~ 6°/S  |
|                           | Adjustable Angle              | Horizontal: 0° ~ 180° or 0° ~ 360°, vertical +15° ~ -30°, or customizable                        |
|                           | Preset Position               | 32pcs  |
|                           | Repeated Positioning Accuracy | ±0.5°  |
|                           | Communication Protocol        | Pelco-D, Pelco-P for option  |
|                           | Communication Baud Rate       | 2400 / 4800 / 9600 / 19200 bps for option  |
| Communication Interface   | RS485                         |  |

# TUBU

## Industrial and Agricultural LED Lighting Expert

### **ADD**

Building A  
Hankun Hi-tech Industrial Zone  
Longteng Road  
Longgang Shenzhen

### **TEL**

+ 86-755-8461-5006

### **Email**

[sales@tu-bu.com](mailto:sales@tu-bu.com)

### **WhatsApp**

+ 86-186-0300-1019

### **Website**

[www.tu-bu.com](http://www.tu-bu.com)