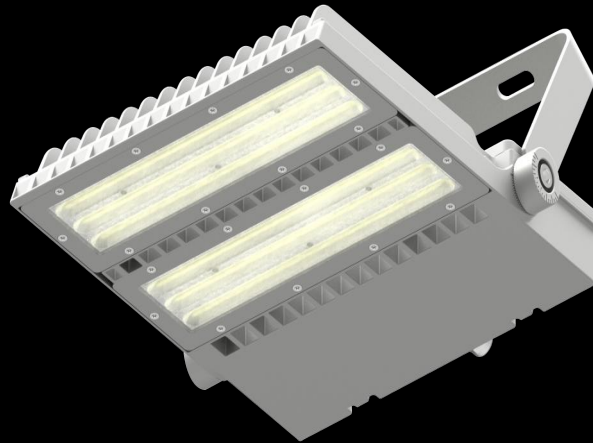


TUBU

**Industrial and Agricultural
LED Lighting Expert**

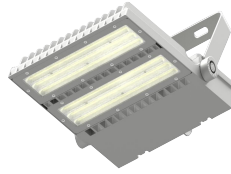
2023-2024 CATALOGUE

LED Flood Light

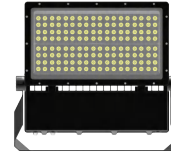




Slimline LED Flood Light TG1
PAGE 67-68



LED Area Light F3
PAGE 69-70



LED High Mast Flood Light HMG1
PAGE 71-72



High Mast LED Flood Light HMG4
PAGE 73-74

Slimline LED Flood Light TG1

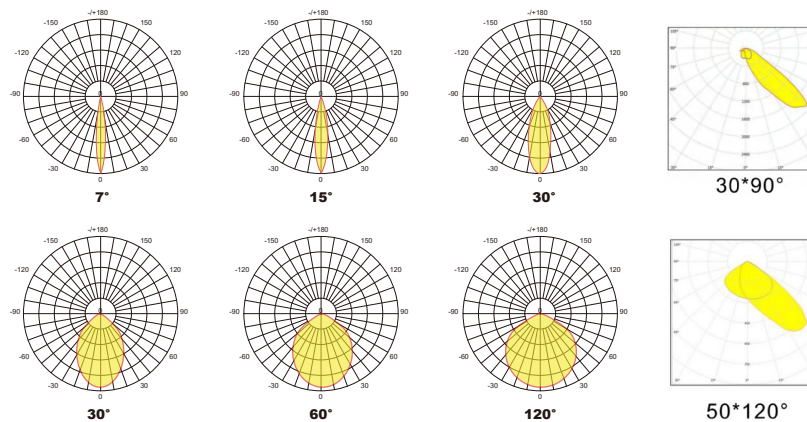
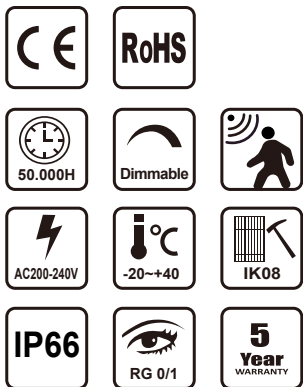
Features

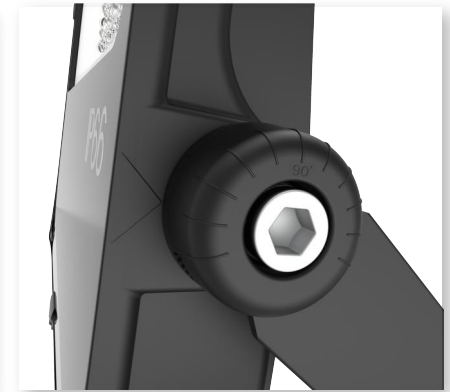
- High output LED's, up to 130~150lm/W
- High CRI>70
- Lumileds LEDs
- Brand driver, TUV UL CE certificates, PF>0.96 THD<12
- 30° 60° 90° 120° 30*90° TYPE III multi beam angles for option
- Durable tempered glass front
- Environmentally friendly, no mercury, no UV no IR
- IP66, indoor & outdoor use
- Quick to install and easy to use, secure and reliable
- 5 year warranty
- Certificate: CE, RoHS



Applications

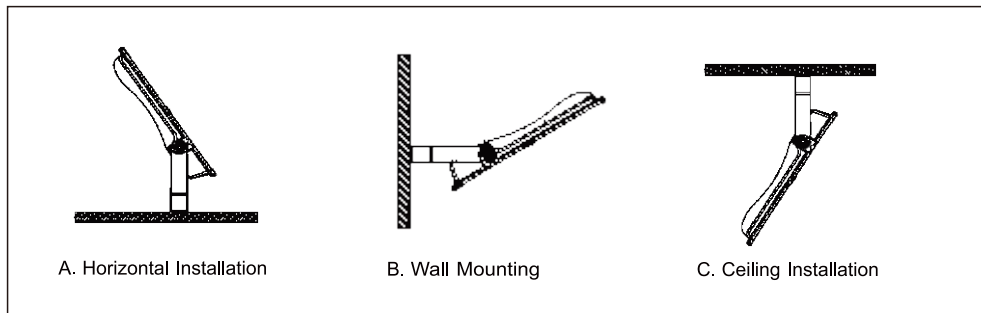
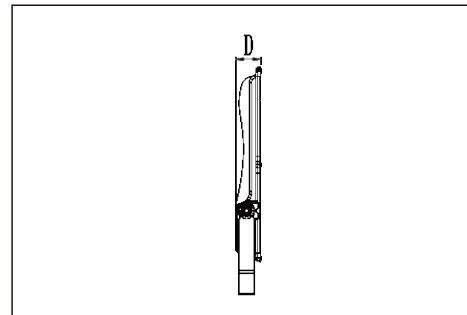
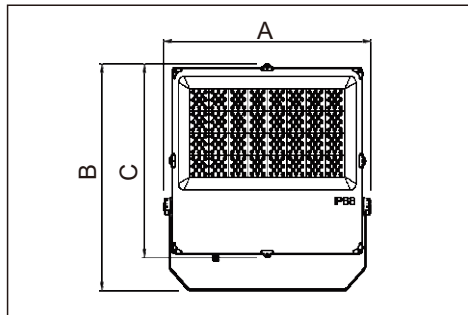
- Parking lot lighting
- Car lot lighting
- Street lighting
- Walkway lighting
- Building accent lighting
- Area & storage lighting





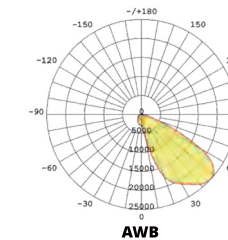
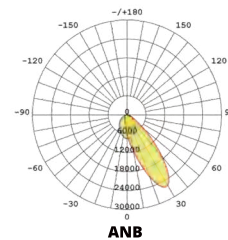
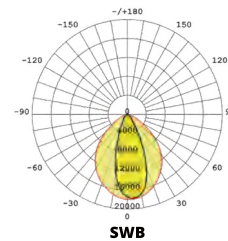
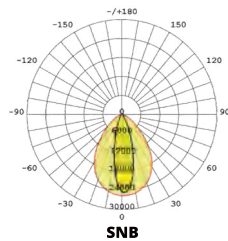
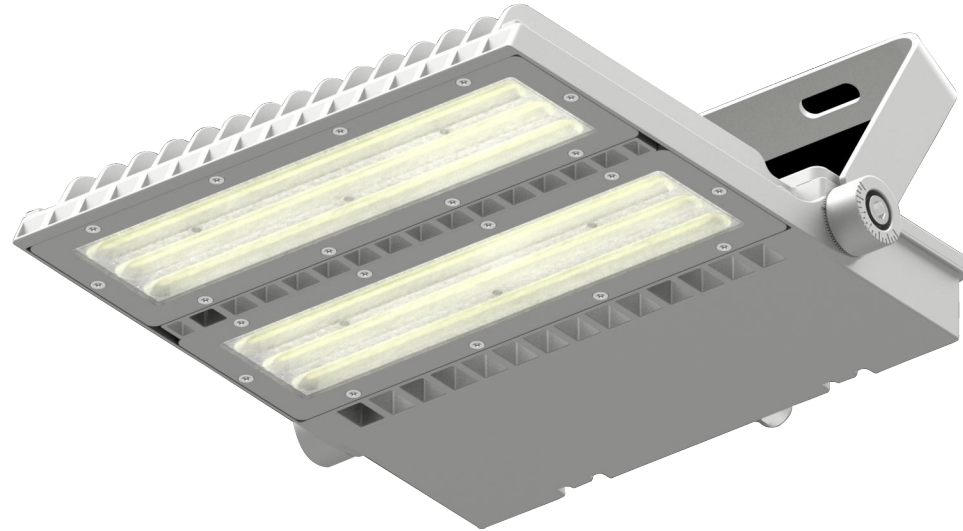
Specifications

Product Code	TBTG1-20W	TBTG1-30W	TBTG1-50W	TBTG1-100W	TBTG1-150W	TBTG1-200W	TBTG1-250W	TBTG1-300W	TBTG1-400W
Power	20W	30W	50W	100W	150W	200W	250W	300W	400W
Input Voltage	200-240VAC (50/60Hz)								
PF	>0.9@220VAC								
Dimming (Optional)	0-10V / DALI dimming								
CCT	3000K / 4000K / 5000K / 6000K								
Luminous Flux	2400lm	3600lm	6000lm	12000lm	18000lm	24000lm	30000lm	36000lm	48000lm
Efficiency	130Lm/W±5% (Ra>70 5000K)								
Luminous Flux	2600lm	3900lm	6500lm	13000lm	19500lm	26000lm	32500lm	39000lm	52000lm
Efficiency	150Lm/W±5% (Ra>70 5000K)								
LED Brand	Lumileds / Hongli								
Light Type	SMD 3030 or SMD 2835								
Operation Temp	-40°C~+45°C								
Storage Temp	-40°C~+60°C								
Life Span	Ta 45°C L70>54000 hours								
IP Class	IP66								
IK Class	IK08								
Certificate	CE, RoHS								
Lamp Body Color	Black (RAL9005)								
Product Size (mm)	122*182*47	169*248*51	228*288*52	278*364*53	394*394*56	394*445*56	394*497*58	394*497*58	545*523*65
Packing Size (mm)	405*275*220	365*270*315	475*310*315	390*305*315	440*320*115	490*420*115	540*420*115	540*420*115	580*550*115
Quantity / Carton	20pcs	10pcs	10pcs	5pcs	1pcs	1pcs	1pcs	1pcs	1pcs
Gross Weight (kg)	16kg	12kg	18kg	13kg	5.6kg	6.6kg	8.1kg	8.6kg	12.3kg
Installation Mode	Horizontal installation / Wall mounting / Ceiling installation								



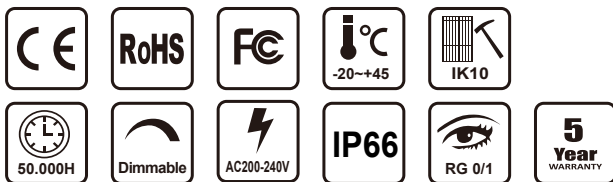
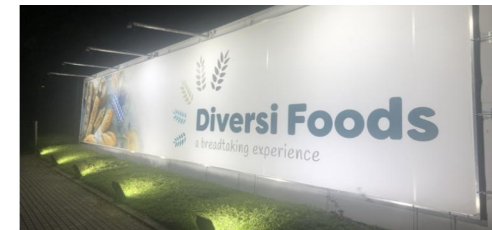
Features

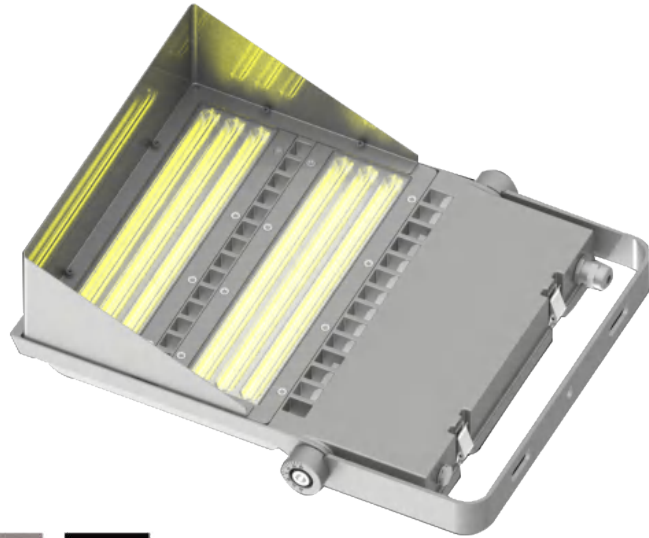
- High output LED's, up to 130~140lm/W
- Brand driver, high PF>0.96 low THD driver, flicker free
- Environmentally friendly, no mercury, no UV, no IR
- 4 different beam angles cover 90% application
- ANB: 32°*84° Tilt 30° / AWB: 50°*88° Tilt 45° / SNB: 25°*75° / SWB: 36°*88°
- IP66 protection rating; for indoor & outdoor use
- Quick start instant 100% luminous flux
- 5 year warranty
- Certificate: CE, RoHS
- Housing material: aluminium alloy
- Stainless steel screws
- Options: 0-10V / DALI dimming



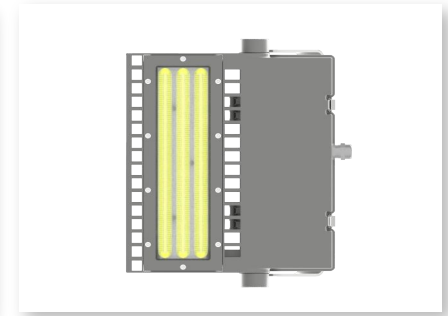
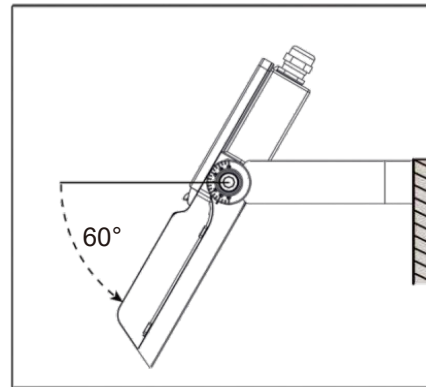
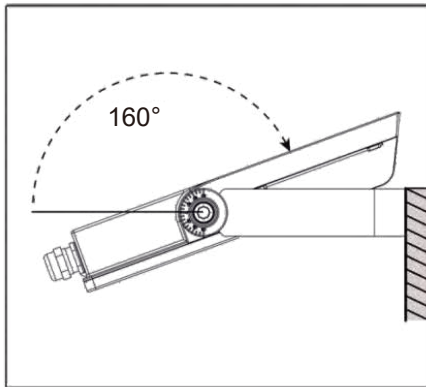
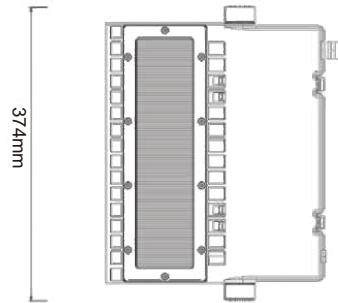
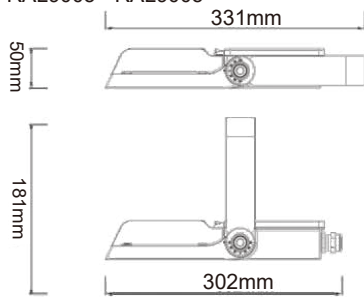
Applications

- Storage
- Billboard
- Sports lighting
- Road lighting
- Warehouse
- Any outdoor application





RAL9005
 RAL9005



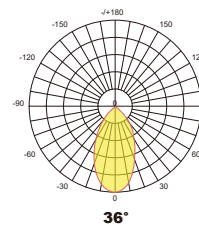
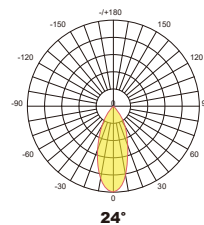
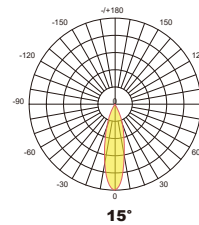
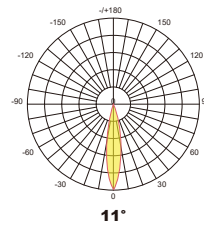
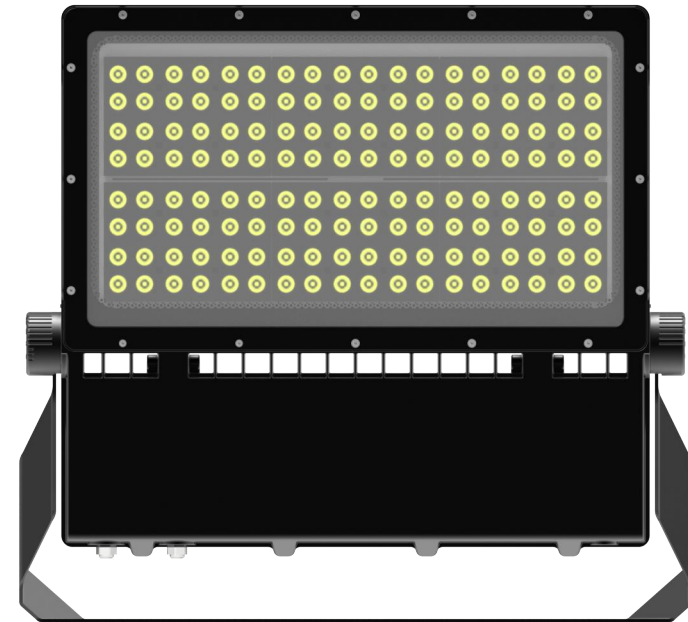
Specifications

Product Code	TB-AL-75W	TB-AL-100W	TB-AL-150W	TB-AL-200W	TB-AL-240W
Power	75W	100W	150W	200W	240W
Input Voltage	200-240VAC / 100-277VAC (50/60Hz)				
Input Current	0.34A@220VAC	0.45A@220VAC	0.68A@220VAC	0.91A@220VAC	1.1A@220VAC
PF	>0.90@220VAC				
DC output voltage	48V				
DC output current	1.4A	1.9A	2.9A	3.9A	4.65A
Dimming (Optional)	3 in 1 dimming (PWM, 0-10V, Resistor), DALI				
CCT	3000K / 4000K / 5000K / 6000K				
Luminous Flux	9750Lm	13000Lm	19500Lm	26000Lm	31200Lm
Efficiency	130Lm/W±10% (Ra>80 5000K)				
Luminous Flux	10500Lm	14000Lm	21000Lm	28000Lm	33600Lm
Efficiency	140Lm/W±10% (Ra>80 5000K)				
LED Brand	3030				
Light Type	Asymmetric and symmetric light				
Operation Temp	-40°C~+45°C				
Storage Temp	-40°C~+85°C				
Life Span	Ta 45°C L70>54000 hours				
IP Class	IP66				
IK Class	IK10				
Certificate	CE, RoHS				
Lamp Body Color	Gray (default with RAL9007), Black (optional for RAL9005)				
Product Size (mm)	331*374*50			441*374*50	
Net weight (kg) ± 0.1	4.58	4.63	4.76	6.37	
Packing Size (mm)	430*370*76			500*415*76	
Gross Weight (kg) ± 0.1	4.98	5.03	5.16	6.84	
Total Size (mm) (2pcs)	445*328*390			520*170*440	
Total Weight (2pcs) ± 0.2	20.68	20.88	21.4	14.43	
Installation Mode	Bracket mount				

LED High Mast Flood Light HMG1

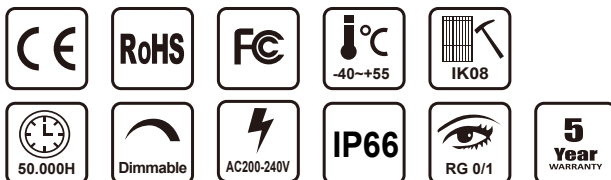
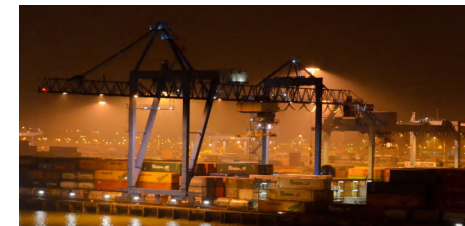
Features

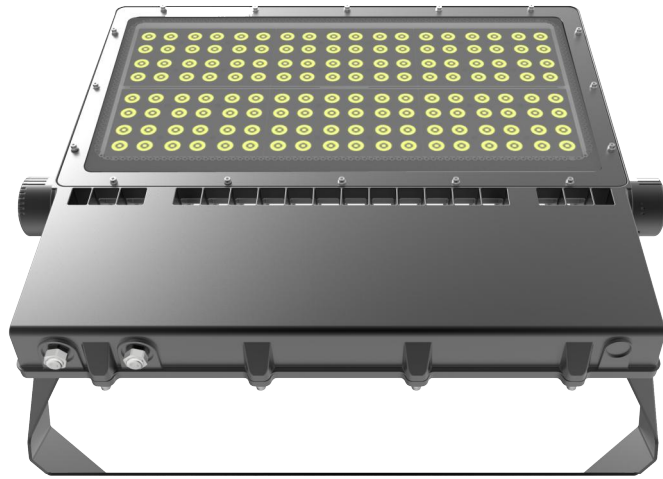
- High output LED's, up to 100~150lm/W
- Brand driver, high PF>0.96 low THD driver, flicker free
- Environmentally friendly, no mercury, no UV no IR
- 11° 15° 24° 36° AWB & ANB beam angles
- IP66 protection rating, for indoor & outdoor use
- Quick start instant 100% luminous flux
- 5 year warranty
- Certificate: CE, RoHS
- Housing material: aluminium alloy
- Stainless steel screws
- Options: 0-10V / DALI



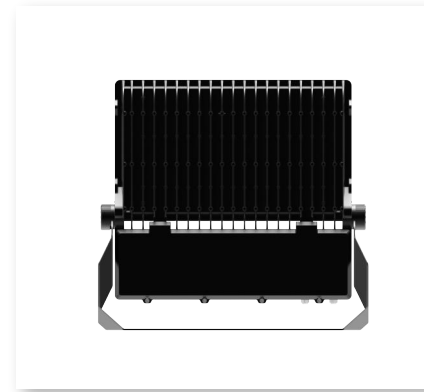
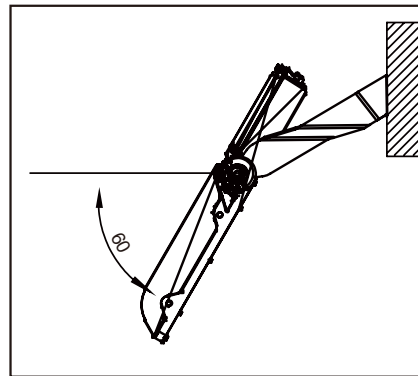
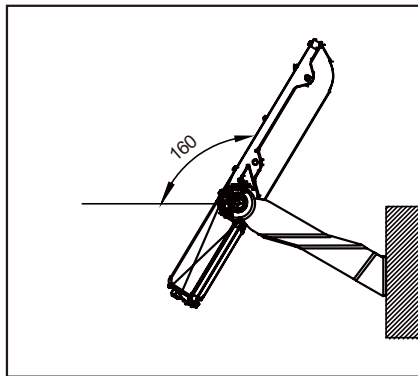
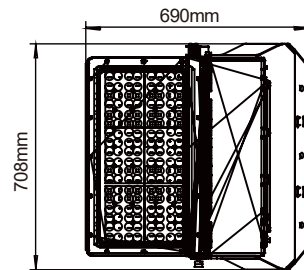
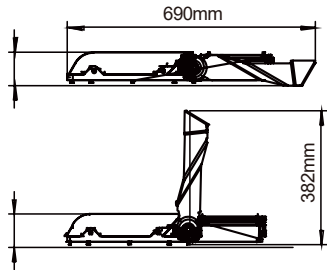
Applications

- High mast
- Stock
- Sports grounds
- Crushers
- Workshops
- Golf courses
- Loading docks
- Ports/wharf





RAL 9005



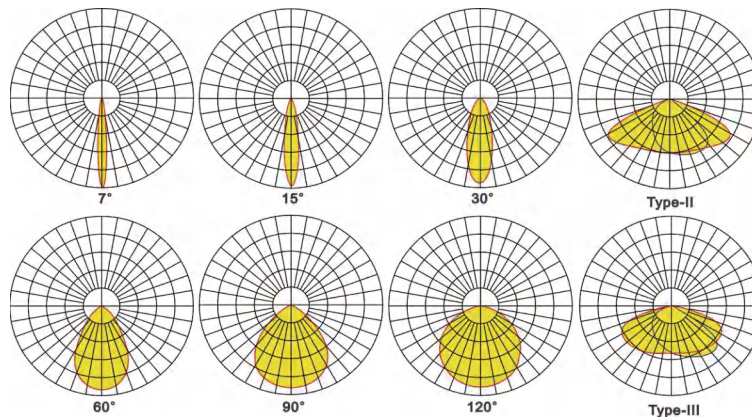
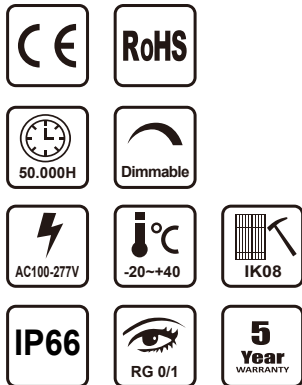
Specifications

Product Code	TBHMG1-350W	TBHMG1-500W	TBHMG1-600W
Power	350W	500W	600W
Input Voltage	90-305VAC / 200-480VAC		
Input Current	1.59A@220VAC	2.27A@220VAC	2.73A@220VAC
PF	>0.90@220VAC		
Dimming (Optional)	3 in 1 dimming (PWM, 0-10V, Resistor), DALI		
CCT	2700K-6500K		
Luminous Flux	35000Lm	50000Lm	60000Lm
Efficiency	100Lm/W±10% (Ra>80 5000K)		
Luminous Flux	52500Lm	75000Lm	90000Lm
Efficiency	150Lm/W±10% (Ra>70 5000K)		
LED Brand	3030		
Light Type	10° / 15° / 24° / 36°		
Operation Temp	-40°C~+50°C		
Storage Temp	-40°C~+85°C		
Life Span	Ta 50°C L70>54000 hours		
IP Class	IP66		
IK Class	IK08		
Certificate	CE, RoHS		
Lamp Body Color	Black (RAL9005)		
Product Size (mm)	690*708*94		
Net Weight (kg) ± 0.3	23		
Packing Size (mm)	800*800*150		
Gross Weight (kg) ± 0.3	25.6		
Installation Mode	Bracket mount		

High Mast LED Flood Light HMG4

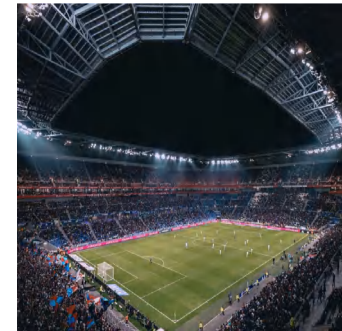
Features

- Efficiency: up to 160lm/W, 140 ~ 190lm/W available
- LED Chip: lumileds 3030 / 5050 or Bridgelux 3030
- SDCM: <5
- Beam angle: 7° 15° 30° 60° 90° 120° Type2 / Type3 PC lens
- IP Rating: IP66
- Installation: bracket
- Certifications: CE, RoHS
- Warranty: 5 years



Applications

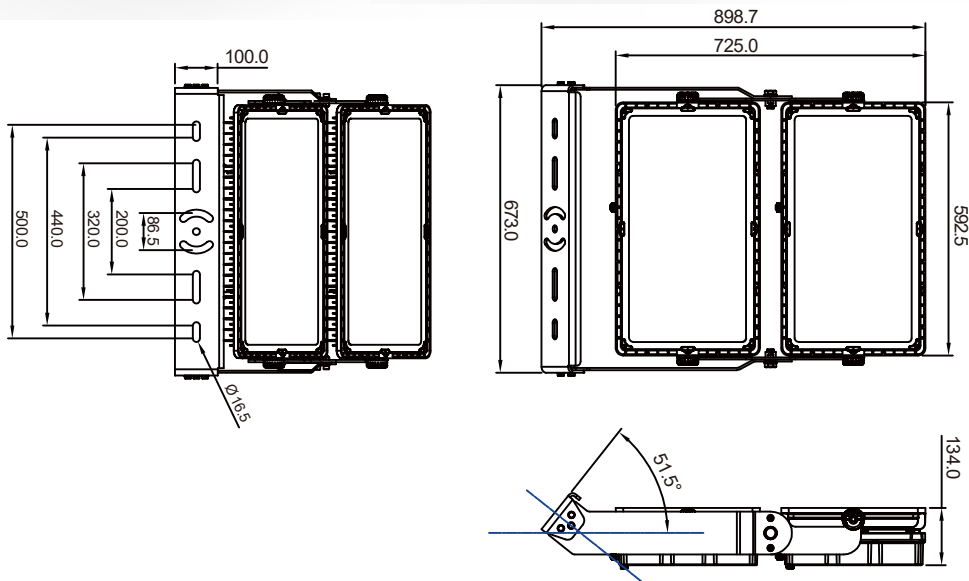
- Stadium
- Wharf
- Airport
- Dock
- Tower crane
- Football field
- Basketball court
- Tennis court
- Golf course
- Large outdoor parking lot





Specifications

Product Code	HMG4-500W HMG4-600W	HMG4-1000W HMG4-1200W	HMG4-1500W HMG4-1800W
Power	500W 600W	1000W 1200W	1500W 1800W
Input Voltage	100-277VAC		
PF	0.90@220VAC		
Dimming (Optional)	0-10V / DALI		
CCT	2700K / 3000K / 4000K / 5000K / 5700K / 6500K		
Luminous Flux	500W-80000Lm 600W-96000Lm	1000W-160000Lm 1200W-192000Lm	1500W-240000Lm 1800W-280000Lm
Efficiency	160Lm/W±10% (Ra>70 5000K)		
Luminous Flux	500W-95000Lm 600W-114000Lm	1000W-190000Lm 1200W-228000Lm	1500W-285000Lm 1800W-342000Lm
Efficiency	190Lm/W±10% (Ra>70 5000K)		
Beam Angle	7° / 15° / 30° / 60° / 90° / 120° Type2 / Type3 PC lens		
Operation Temp	-40°C~+50°C , 20~95% RH No condensation		
Storage Temp	-20°C~+85°C , 10~95% RH No condensation		
Life Span	Ta 50°C L70>54000 hours		
IP / IK Class	IP66 / IK08		
Certificate	CE, RoHS		
Lamp Body Color	Housing: die-casting aluminum	Color: black (RAL9005)	Lens: PC
Product Warranty	5 years		
Installation Mode	Surface mount / Bracket mount		
Product Size (mm)	637*483*134	897*673*134	1286*673*134
Packing Size (mm)	672*534*188	990*763*220	1378*763*220
Gross Weight (kg)	16.5	40	56



TUBU

Industrial and Agricultural LED Lighting Expert

ADD

Building A
Hankun Hi-tech Industrial Zone
Longteng Road
Longgang Shenzhen

TEL

+ 86-755-8461-5006

Email

sales@tu-bu.com

WhatsApp

+ 86-186-0300-1019

Website

www.tu-bu.com