

TUBU

**Industrial and Agricultural
LED Lighting Expert**

2023-2024 CATALOGUE

LED High Bay / Low Bay Light





Smart LED High Bay Light F12
PAGE 45-46



IP69K Food Processing High Bay F10
PAGE 47-48



High-temp Ambient High Bay F9H
PAGE 49-50



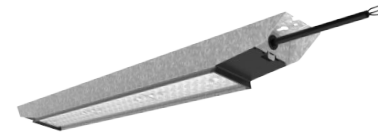
LED Linear High Bay Light G1
PAGE 51-52



LED Linear High Bay Light G2
PAGE 53-54



UGR<19 LED Linear High Bay Light G2 DXG
PAGE 55-56



LED Linear Industrial Light L16
PAGE 57-58

Smart LED High Bay Light F12

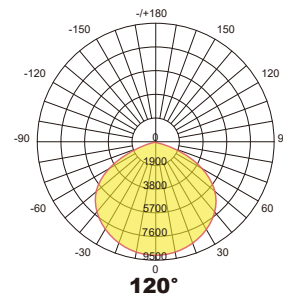
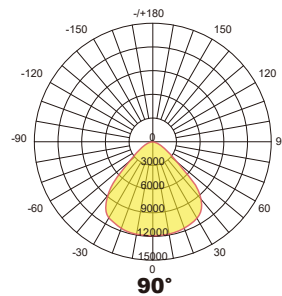
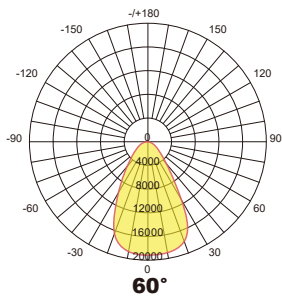
Features

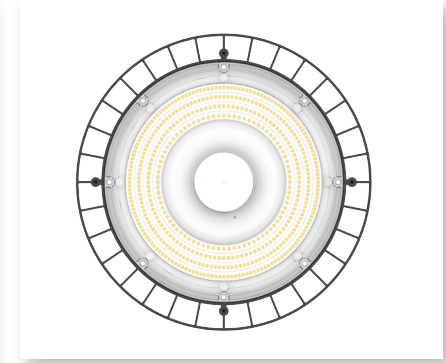
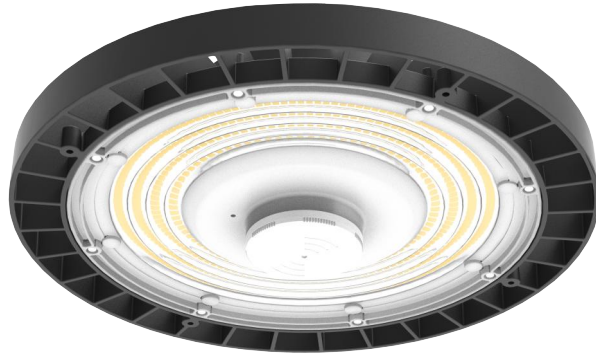
- Wattage: 200W (dimming to 150W / 100W)
- Color temperature adjustable
- Lighting efficiency: 150LM/W (Ra80) / 170LM/W (Ra80) / 190LM/W (Ra70)
- Beam angle: 60° 90° 120°
- Protection grade: IP65 IK08
- Operation environment: -40°C ~ 50°C, life span 50,000 hours
- Power protection: short circuit protection / overvoltage protection / over temperature protection
- Dimming control: 0-10V/PWM
- Installation: suspension mount / wall mount
- Controller selecting: single lamp microwave sensors / group microwave



Applications

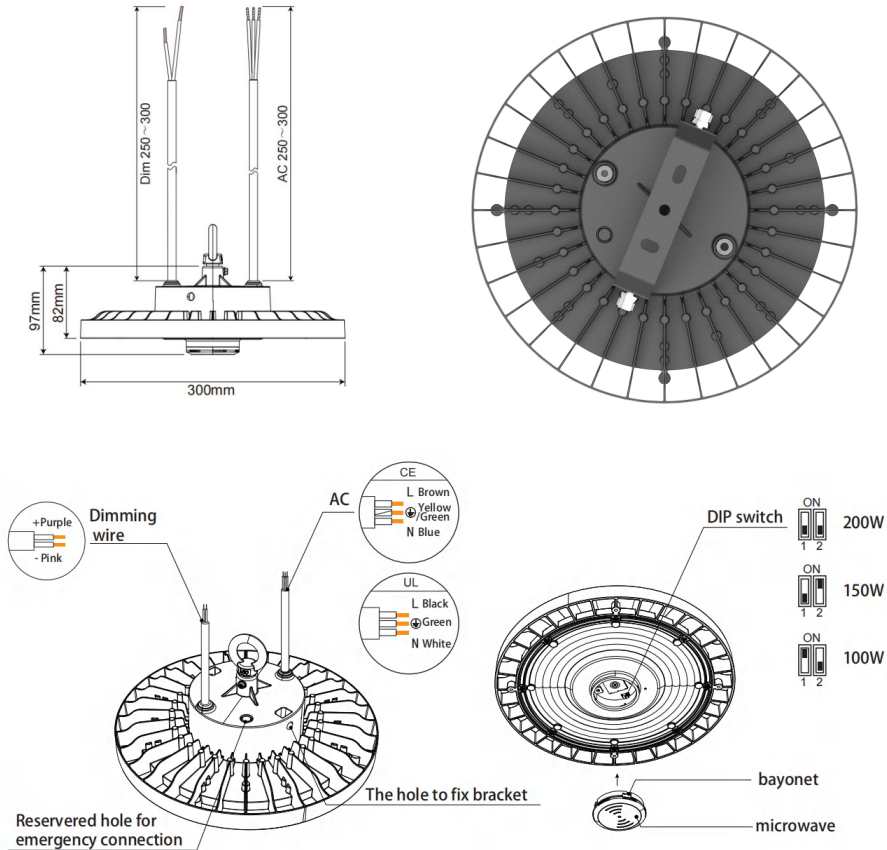
- Sports lighting
- Storage
- Warehouse





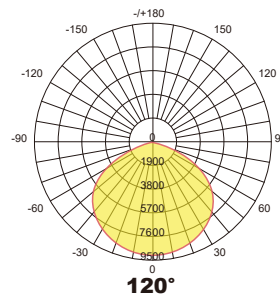
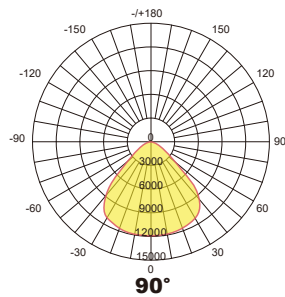
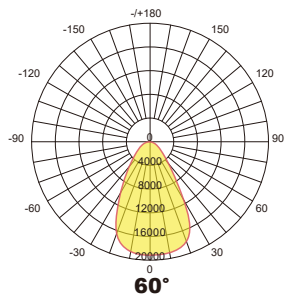
Specifications

Product Code	TBF12-200W
Power	200W (adjustable 150W / 100W)
Input Voltage	100-277VAC (50/60Hz)
Input Current	0.91A / 220VAC
PF	0.95@220VAC
Dimming	3 in dimming (PWM, 0-10V, resistor), Power dial or internal microwave controller
Dimming DC 12V Driver	12VDC±10%, Max current 200mA (Dimming: External control and built-in microwave control can only be used, only use in 12V)
CCT	4000K / 5000K / 5700K
Luminous Flux	30000Lm
Efficiency	150Lm/W±10% (Ra>80 5000K)
Luminous Flux	34000Lm
Efficiency	170Lm/W±5% (Ra>80 5000K)
Luminous Flux	38000Lm
Efficiency	190Lm/W±5% (Ra>70 5000K)
Light Type	SMD 3030 or SMD 2835
Working Temperature	-40~+50°C
Storage Temperature and Humidity	-40 ~ 85°C, 10 ~ 95% RH non-condensing
Life Span	50000 hours
Surge Lighting Stroke	6KV / 10KV
IP/IK Class	IP65 / IK08
Certificate	Accord with ETL, CB, CE, PSE, SAA, RoHS 2.0
Materials Color	Housing: die-casting aluminium Housing color: Black (RAL9005) Optics lens: PC
Product Size (mm)	∅300*102
Packing Size (mm)	360*145*340
Quantity / Carton	1PCS
Gross Weight (kg) ±0.3	4.2
Installation Mode	Suspending / wall mounted (reference the instruction)



Features

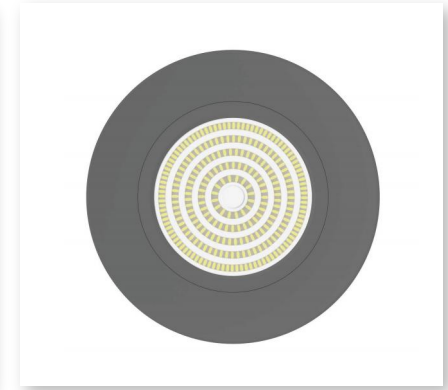
- IP69K IK10
- High output LED's, up to 140lm/W standard, 160lm/W options
- CRI>70 standard (80 / 90 option)
- Isolated driver with overheat protection, high PF>0.9, low THD, flicker free
- Environmentally friendly, no mercury, no UV
- 60° 90° 120° beam angle
- Quick start instant 100% luminous flux
- 5 year warranty
- Certificate: CE, RoHS
- Housing material: aluminium alloy
- Stainless steel screws
- Options: 1-10V, DALI dimming



Applications

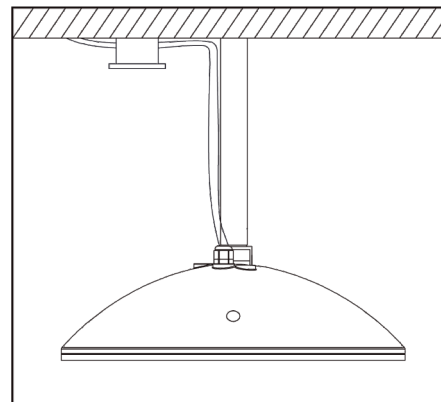
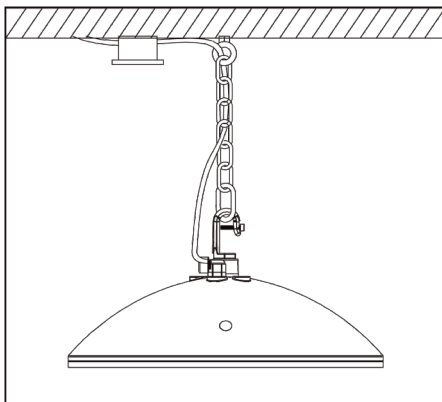
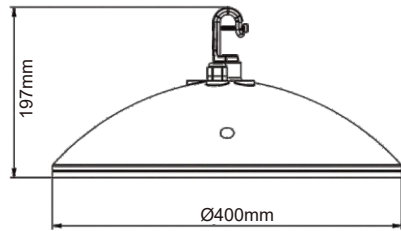
- Food processing
- Beverage
- Garden centers
- Industrial facilities





Specifications

Product Code	TBF10-100W	TBF10-120W	TBF10-150W
Power	100W	120W	150W
Input Voltage	90-305VAC		
Input Current	0.47A	0.57A	0.68A
PF	>0.90		
Dimming	0-10V / DALI dimming		
CCT	3000K / 4000K / 5000K / 6000K		
Luminous Flux	14000Lm	16800Lm	21000Lm
Efficiency	140Lm/W±5% (Ra>80 5000K)		
Luminous Flux	15000Lm	18000Lm	22500Lm
Efficiency	150Lm/W±5% (Ra>70 5000K)		
LED Brand	3030		
Beam Angle	60° / 90° / 120°		
Operation Temp	-40°C~+45°C		
Storage Temp	-40°C~+85°C		
Life Span	Ta 45°C L70>54000 hours		
IP Class	IP69K		
IK Class	IK10		
Certificate	CE, RoHS		
Lamp Body Color	Gray (RAL9007)		
Product Size (mm)	Ø400*197		
Net Weight (kg) ±0.3	5.8		
Packing Size (mm)	470*470*210		
Gross Weight (kg) ±0.3	6.8		
Installation Mode	Hook / Pendant mount		

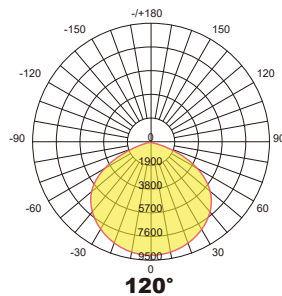
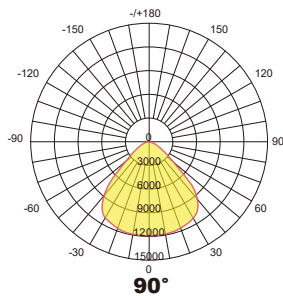
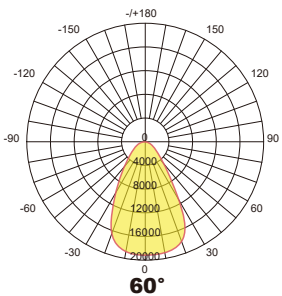
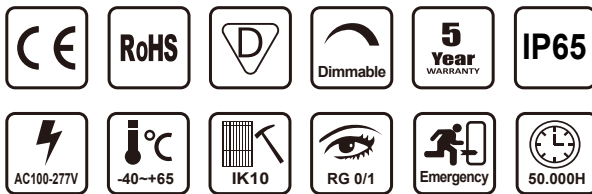
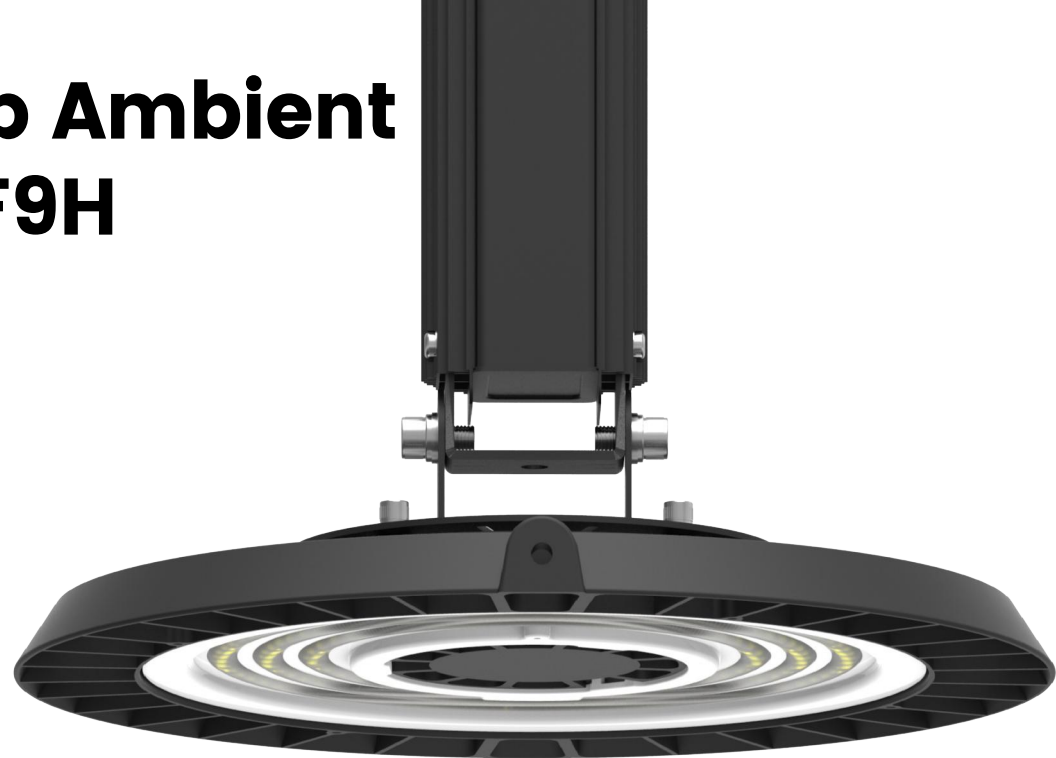


TUBU

High-temp Ambient High Bay F9H

Features

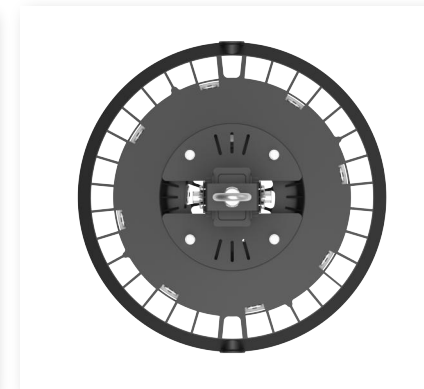
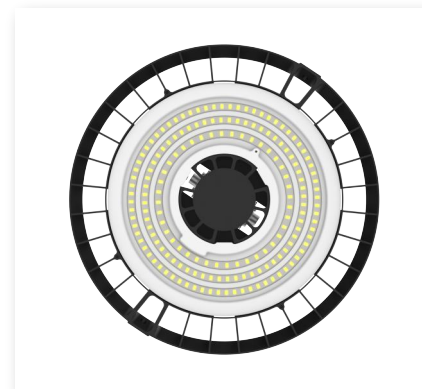
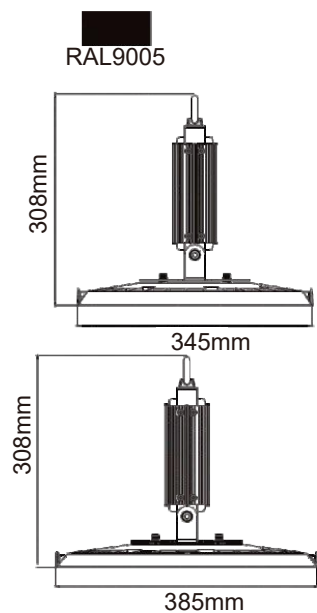
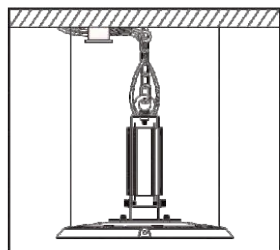
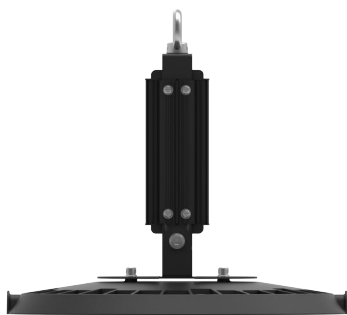
- Hi-temp ambient up to 65°C
- High output LED's, up to 160lm/W
- CRI>70
- Driver high PF>0.9, low THD, flicker free
- Environmentally friendly, no mercury, no UV, no IR
- 60° 90° 120° beam angle
- Quick start instant 100% luminous flux
- 5 year warranty
- Certificate: CE, RoHS
- Housing material: aluminium alloy
- Stainless steel screws
- Options: 1-10V, DALI dimming



Applications

- High temperature industrial area





Specifications

Product Code	TBF9-100W-H	TBF9-150W-H
Power	100W	150W
Input Voltage	200-240VAC (50/60Hz)	
Input Current	0.45A@230VAC	0.68A@230VAC
PF	>0.90	
Dimming	0-10V / DALI dimming	
CCT	3000K / 4000K / 5000K / 6000K	
Luminous Flux	15000Lm	22500Lm
Efficiency	150Lm/W±5% (Ra>80 5000K)	
Luminous Flux	16000Lm	24000Lm
Efficiency	160Lm/W±5% (Ra>70 5000K)	
LED Brand	3030	
Beam Angle	60° / 90° / 120°	
Operation Temp	-40°C~+65°C	
Storage Temp	-40°C~+85°C	
Life Span	Ta 65°C L70>54000 hours	
IP Class	IP65	
IK Class	IK10	
Certificate	CE, RoHS	
Lamp Body Color	Black (RAL9005)	
Product Size (mm)	∅345*308	∅385*308
Net Weight (kg) ±0.1	3.35	3.7
Packing Size (mm)	384*152*390	424*150*430
Gross Weight (kg) ±0.1	4.1	4.5
Installation Mode	Hook mount	

LED Linear High Bay Light G1

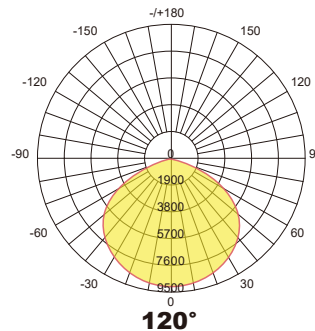
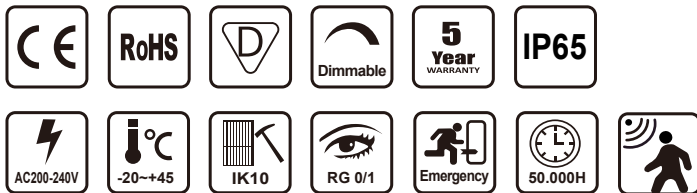
Features

- High output LED's, up to 140~160lm/W
- High CRI>80
- Brand driver TUV UL CE certified PF >0.96, THD<12
- Flicker free
- Environmentally friendly, no mercury, no UV, no IR
- IP65, indoor use
- Quick start instant 100% luminous flux
- 5 year warranty
- Certificate: CE, RoHS, SAA, C-tick
- Housing material: aluminium alloy
- Options: 1-10V, DALI dimming, microwave sensor
- Surface mount & suspension mount optional



Applications

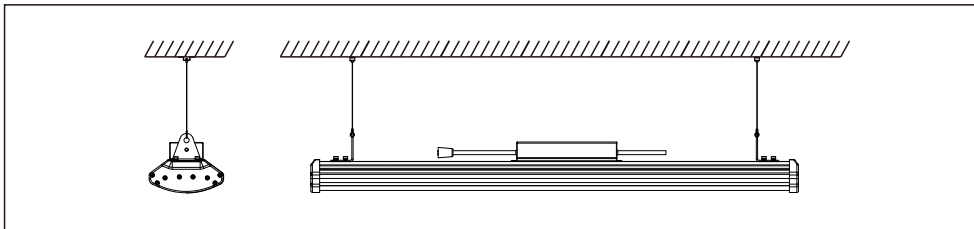
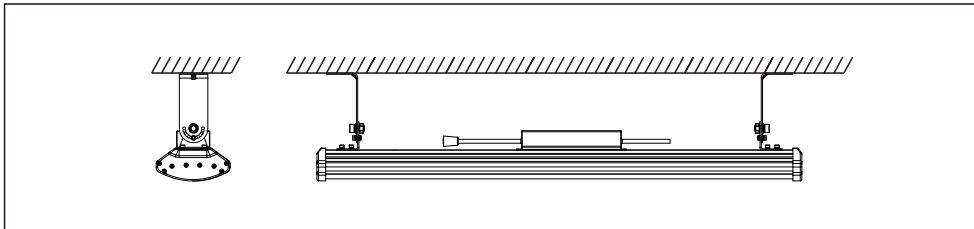
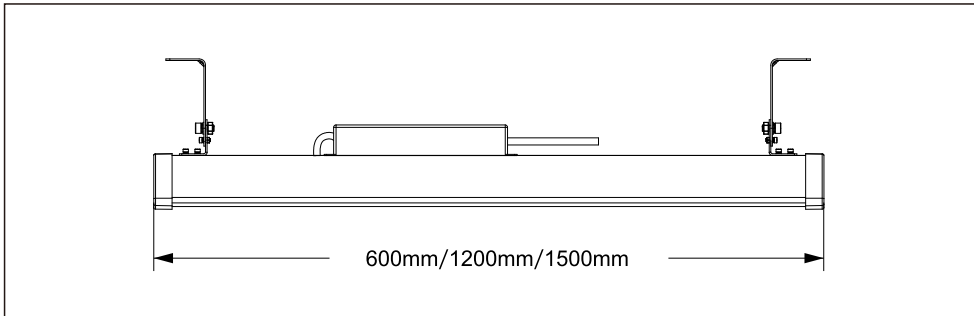
- Sports halls
- Warehouse
- Airport
- Bus station
- Supermarket
- Workshops
- Sports halls
- Exhibition halls
- Badminton court





Specifications

Product Code	TB-HT080W-G1	TB-HT150W-G1	TB-HT200W-G1
Power	80W	150W	200W
Input Voltage	200-240VAC / 100-277VAC (50/60Hz)		
PF	>0.90@220VAC		
Dimming Optional	0-10V or DALI dimming		
CCT	3000K / 4000K / 5000K / 6000K		
Luminous Flux	11200Lm	21000Lm	28000Lm
Efficiency	140Lm/W±5% (Ra>80 5000K)		
Luminous Flux	12800Lm	24000Lm	32000Lm
Efficiency	160Lm/W±5% (Ra>80 5000K)		
Light Type	SMD 2835 / 3030		
Operation Temp	-20°C~+45°C		
Storage Temp	-20°C~+60°C		
Life Span	Ta 45°C L70>54000 hours		
IP Class	IP65		
IK Class	IK10		
Certificate	CE, RoHS, SAA		
Lamp Body Color	Housing: aluminum Color: silver Lens: PC		
Product Size (mm)	600*175*75	1200*150*67	1500*150*67
Packing Size (mm)	650*250*220	1250*250*220	1550*250*220
Quantity / Carton	2PCS	2PCS	2PCS
Gross Weight (kg)	9kg	16kg	18kg
Installation Mode	Surface mount, Suspension mount		



LED Linear High Bay Light G2

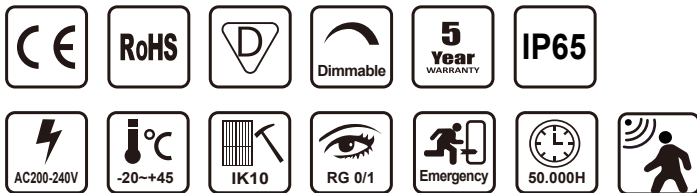
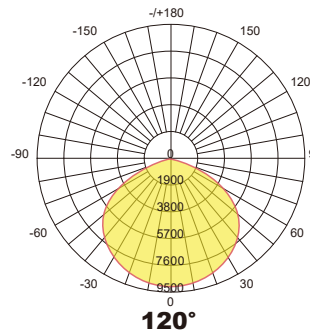
Features

- High output LED's, up to 140~160lm/W
- High CRI>80
- Brand driver, TUV UL CE certified, PF>0.96, THD<12
- Flicker free
- Environmentally friendly, no mercury, no UV, no IR
- IP65, indoor use
- Quick start instant 100% luminous flux
- 5 year warranty
- Optional: 1-10V, DALI dimming, microwave
- Surface mount & suspension mount optional
- Certificate: CE, RoHS, SAA, C-Tick



Applications

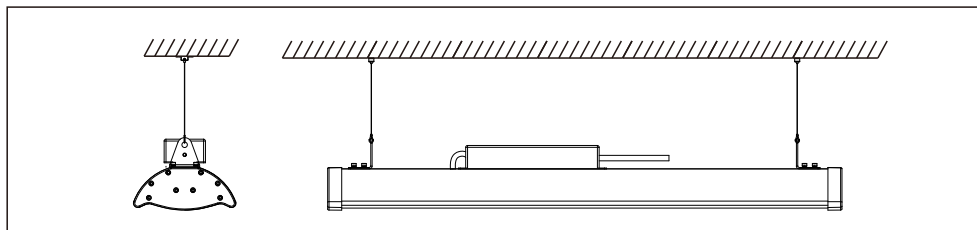
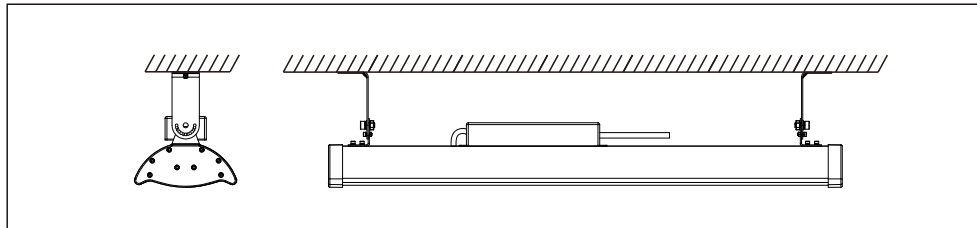
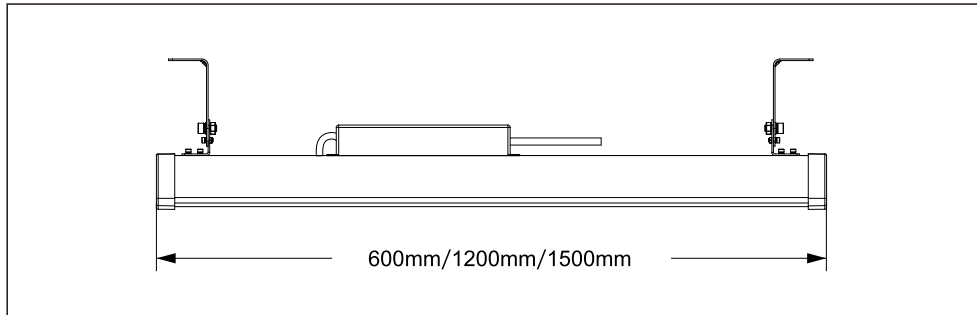
- Factories
- Airport
- Bus station
- Warehouse
- Workshops
- Supermarket
- Sports halls
- Exhibition halls
- Badminton court





Specifications

Product Code	TB-HT080W-G2	TB-HT150W-G2	TB-HT200W-G2
Power	80W	150W	200W
Input Voltage	200-240VAC / 100-277VAC (50/60Hz)		
PF	>0.9@220VAC		
Dimming (Optional)	0-10V / DALI dimming		
CCT	3000K / 4000K / 5000K / 6000K		
Luminous Flux	11200Lm	21000Lm	28000Lm
Efficiency	140Lm/W±5% (Ra>80 5000K)		
Luminous Flux	12800Lm	24000Lm	32000Lm
Efficiency	160Lm/W±5% (Ra>80 5000K)		
Light Type	SMD 2835 / 3030		
Operation Temp	-20°C~+45°C		
Storage Temp	-20°C~+60°C		
Life Span	Ta 45°C L70>54000 hours		
IP Class	IP65		
IK Class	IK10		
Certificate	CE, RoHS, SAA		
Lamp Body Color	Housing: aluminum Color: silver Lens: PC		
Product Size (mm)	600*175*75	1200*175*75	1500*175*75
Packing Size (mm)	650*250*220	1250*250*220	1550*250*220
Quantity / Carton	2pcs	2pcs	2pcs
Gross Weight (kg)	9kg	16kg	18kg
Installation Mode	Surface mount / Suspension mount		



TUBU

UGR<19 LED Linear High Bay Light G2 DXG

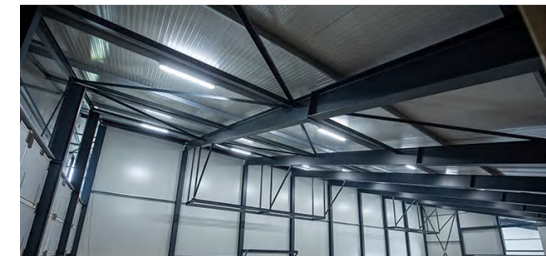
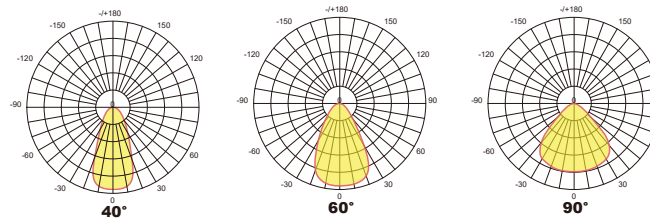
Features

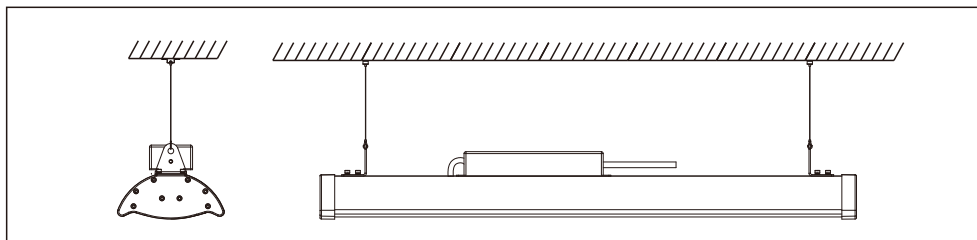
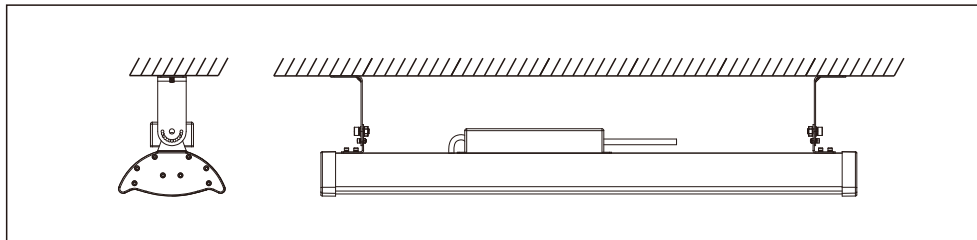
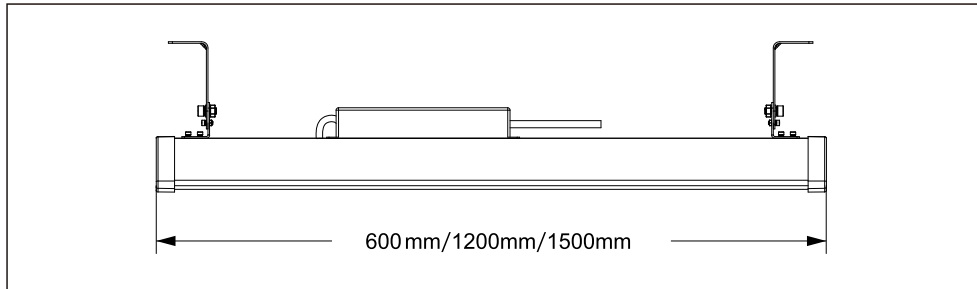
- High output LED's, up to 130lm/W, LM80 certified light source
- High CRI>80
- Brand driver, TUV UL CE certified, PF>0.96, THD<12
- Flicker free
- Environmentally friendly, no mercury, no UV, no IR
- IP65, indoor & outdoor using
- Quick start instant 100% luminous flux
- 5 year warranty
- Certificate: CE, RoHS, SAA, C-Tick, IP65 report
- Options: 1-10V dimming, microwave
- Hanging mount accessories included



Applications

- Factories
- Airport
- Bus station
- Warehouse
- Workshops
- Supermark
- Sports halls
- Exhibition halls
- Badminton court





Specifications

Product Code	MG-HT150WF-DXG	MG-HT200WF-DXG
Power	150W	200W
Input Voltage	2200-240VAC	
PF	>0.9@220VAC	
Dimming (Optional)	0-10V / DALI dimming	
CCT	3000K / 4000K / 5000K / 6000K	
Luminous Flux	195000Lm	26000Lm
Efficiency	130lm/W±5% (Ra>80 5000K)	
Luminous Flux	22500Lm	30000Lm
Efficiency	150Lm/W±5% (Ra>80 5000K)	
Light Type	SMD 3030 / 5050	
Operation Temp	-40°C ~ 45°C	
Storage Temp	-40°C ~ 80°C	
Life Span	Ta 45°C L70>54000 hours	
IP Class	IP65	
IK Class	IK10	
Certificate	CE, RoHS, SAA	
Lamp Body Color	Housing: aluminum Color: silver Lens: PC	
Product Size (mm)	1200*175*75	1500*175*75
Packing Size (mm)	1250*230*235	1550*230*235
Quantity / Carton	2pcs	2pcs
Gross Weight (kg)	7.8kg	8.7kg
Installation Mode	Surface mount / Suspension mount	

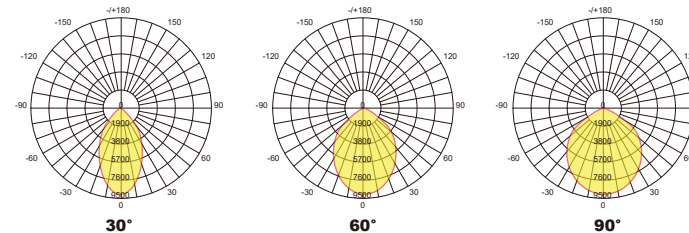
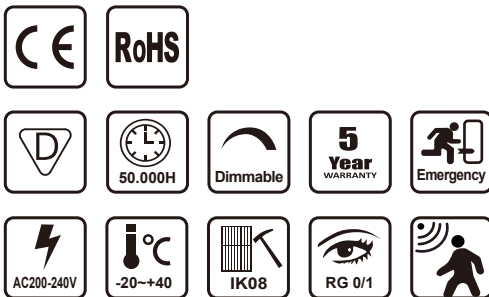
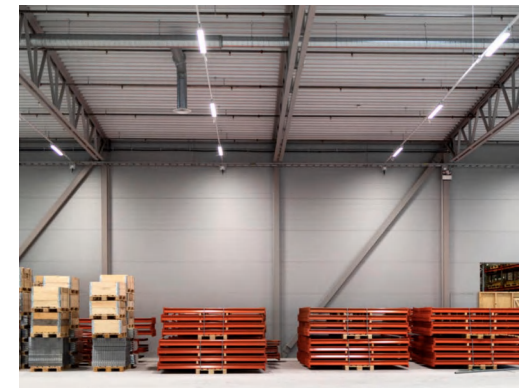
Features

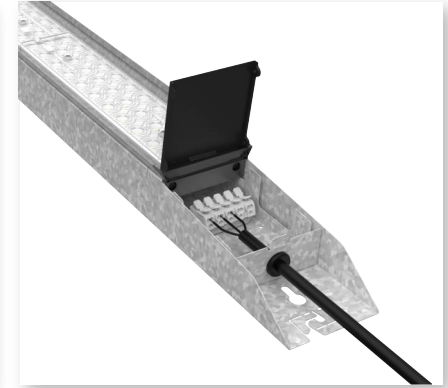
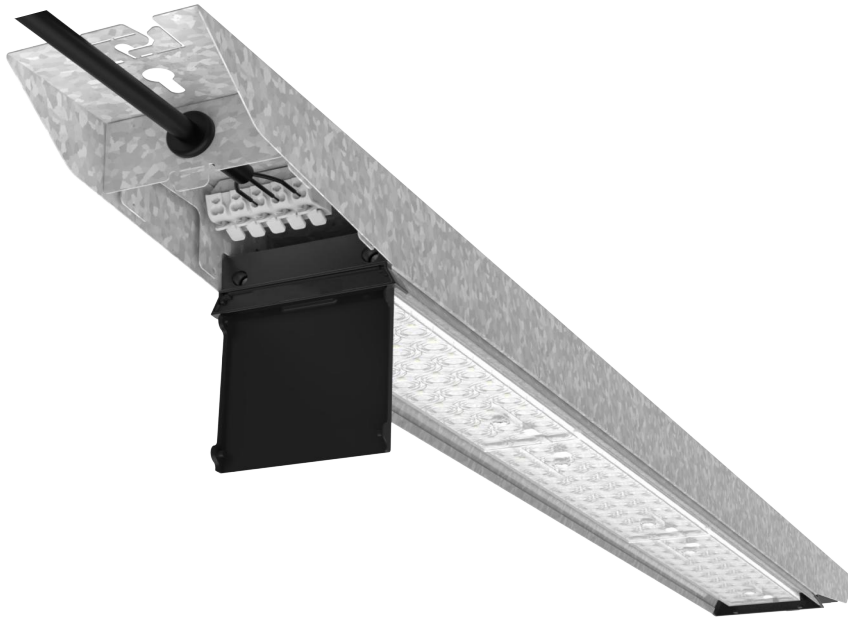
- Patented design
- System efficiency 150lm/W (170lm/W optional)
- Meanwell / Philips / Sosen Driver for option, PF>0.95
- Lumileds / Epistar 3030 SMD LED, CRI>70/80
- Available with 30° 60° 90° beam angle
- 3000K / 4000K / 5000K / 5700K / 6500K CCT
- Long life span, L70 > 50,000 hours
- Controls and dimming: DALI control & 1-10V dimming



Applications

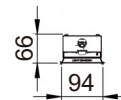
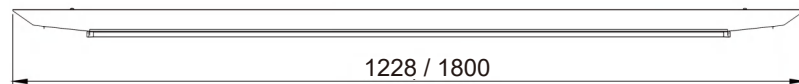
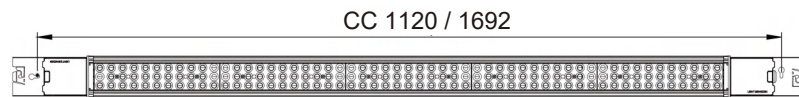
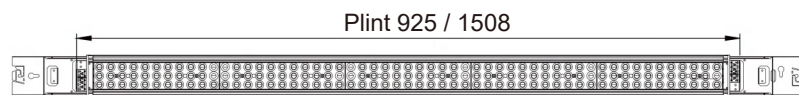
- Sports lighting
- Warehouse
- Storage
- Logistic





Specifications

Product Code	TBL16-75W	TBL16-90W	TBL16-120W
Power	75W	90W	120W
Input Voltage	200-240VAC / 100-277VAC (50/60Hz)		
Input Current	0.35A@220VAC	0.45A@220VAC	0.6A@220VAC
PF	0.90@220VAC		
Dimming Option	DALI		
CCT	3000K / 4000K / 5000K / 6000K		
Luminous Flux	11250Lm / 12750Lm	13500Lm / 15300Lm	18000Lm / 20400Lm
Efficiency	150Lm/W±5% / 170Lm/W±5% (Ra>80)		
LED Brand	SMD 3030 / 5050		
Beam Angle	30° / 60° / 90°		
Operation Temp	-20°C~+40°C		
Storage Temp	-20°C~+60°C		
Life Span	Ta 40°C L70>54000 hours		
IP Class	IP23		
IK Class	IK08		
Certificate	CE, RoHS		
Lamp Body Color	Painted (Ral 9006) galvanised steel		
Product Size (mm)	1230*94*66	1800*94*66	1800*94*66
Packing Size (mm)	1270*241*260	1840*241*185	1840*241*185
Quantity / Carton	6PCS	4PCS	4PCS
Gross Weight (kg) ±0.3	19.88	19.84	19.84
Installation Mode	Surface mount / Suspension mount		



TUBU

Industrial and Agricultural LED Lighting Expert

ADD

Building A
Hankun Hi-tech Industrial Zone
Longteng Road
Longgang Shenzhen

TEL

+ 86-755-8461-5006

Email

sales@tu-bu.com

WhatsApp

+ 86-186-0300-1019

Website

www.tu-bu.com