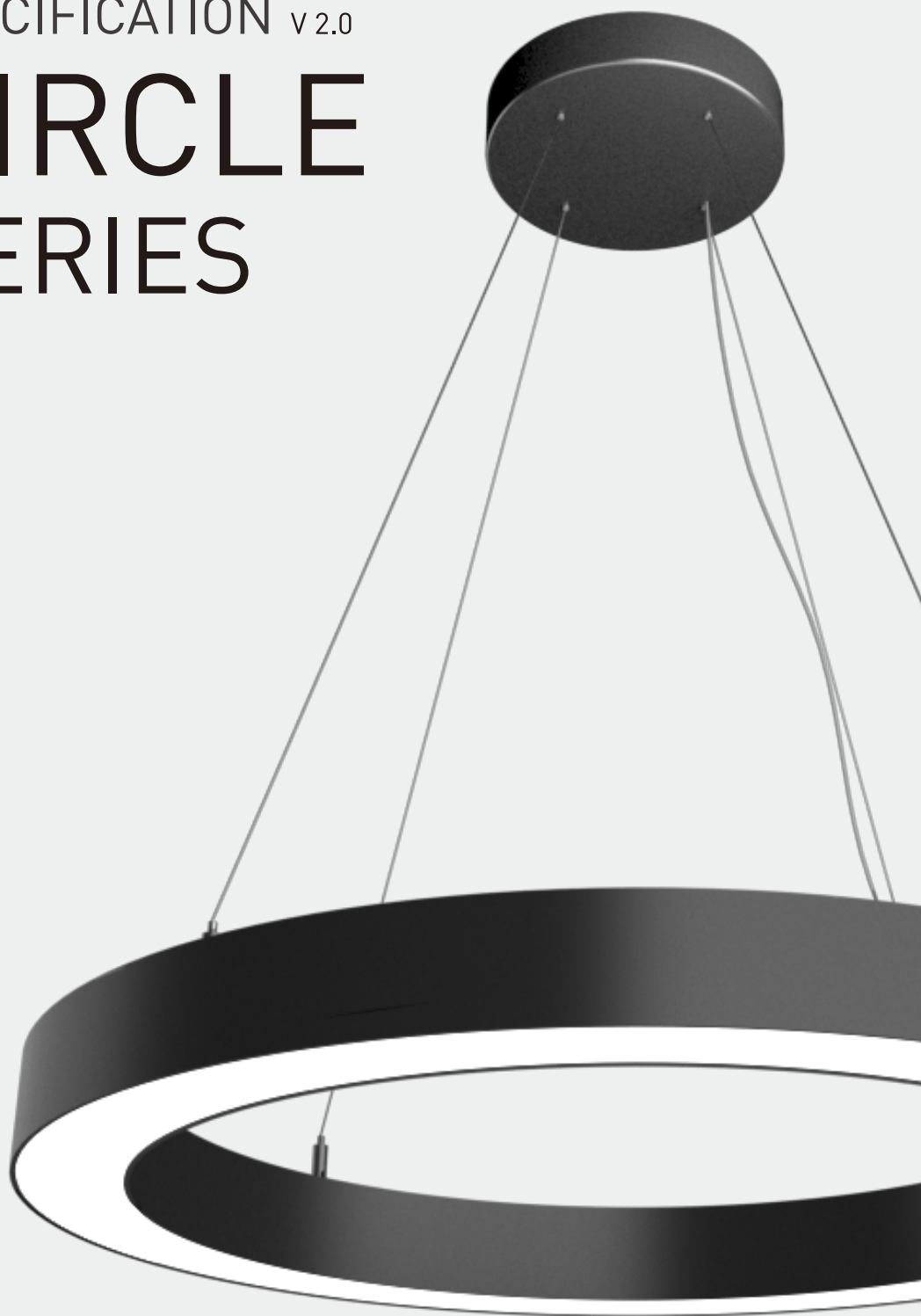
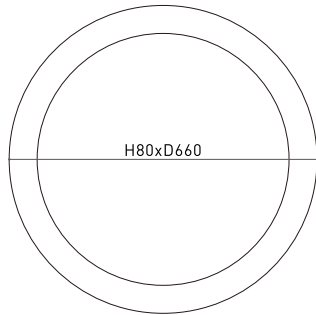
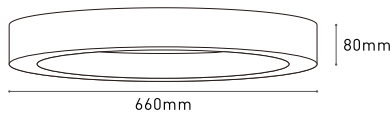


SPECIFICATION v 2.0

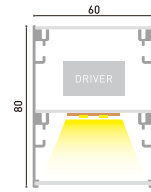
# CIRCLE SERIES



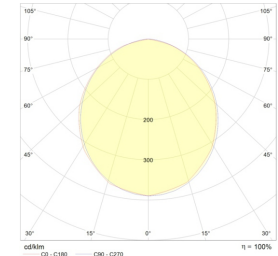
Type



Profile Section



IES instruction



Eg: LC 6080 - C - 660

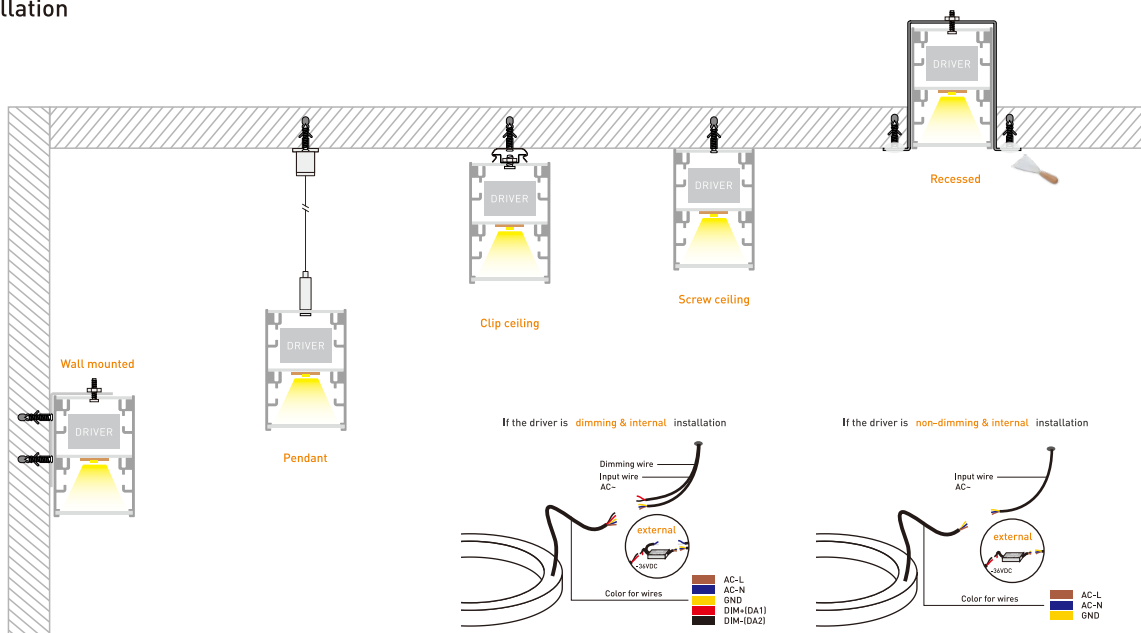
Width: 60, Height: 80, Circle series: C, Diameter: 660

Product code:

LC 6080 - C - D 660 B - DF - 030W 100 - 840K - N - P

Profile	Profile
Width	60mm
Height	80mm
Series	C: Circle series
Size	D:diameter
Size	450/660/900/1060/1200/1560/1860/2060/2460/3060/ 4060/5060/6060/7060mm
Color	B:black, W:white, S:silver, G:gold
Cover	DF: Polycarbonat, M1:Prismatic, M2:Frosted prismatic
Power	20/30/40/50/60/80/110/120/150/180/240/320/360/480W
Luminous Efficiency	100lm/W
CRI	8:CRI>80, 9:CRI>90,
CCT	27K:2700K, 30K:3000K, 40K:4000K, 60K:6000K, 65K:6500K
Dimming	N:no dimming, 01:0-10V dimming, 10:1-10V dimming, D:DALI dimming
Install	P:pendant, R:recessed, S:ceiling
Certification	CB, CE, RoHS, DALI, FLICKER FREE 5 YEARS WARRANTY

Installation

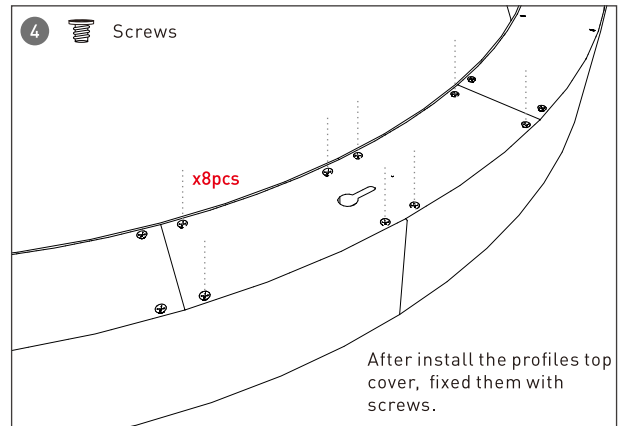
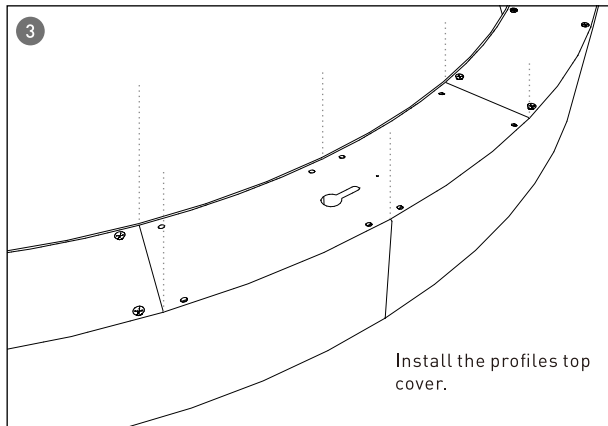
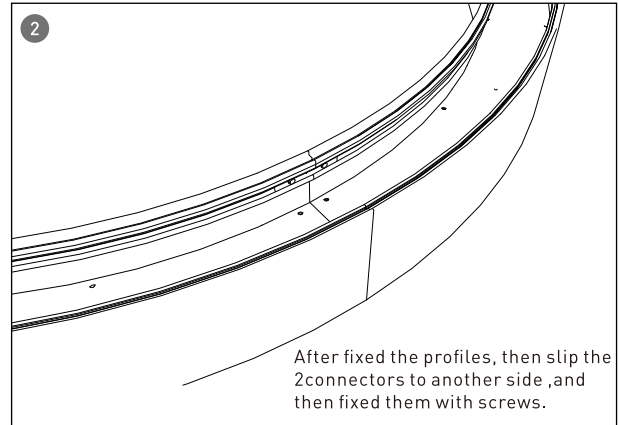
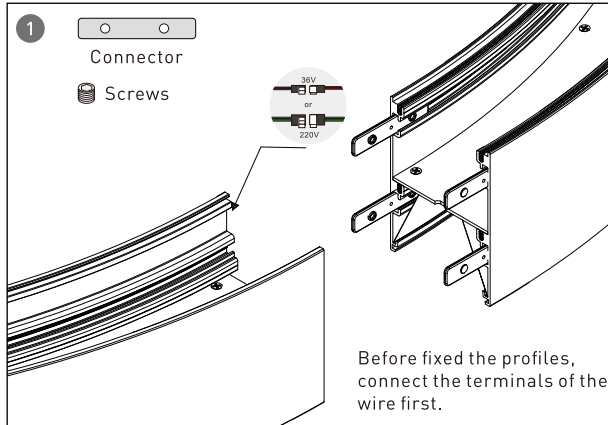


Ordering code for Circle series

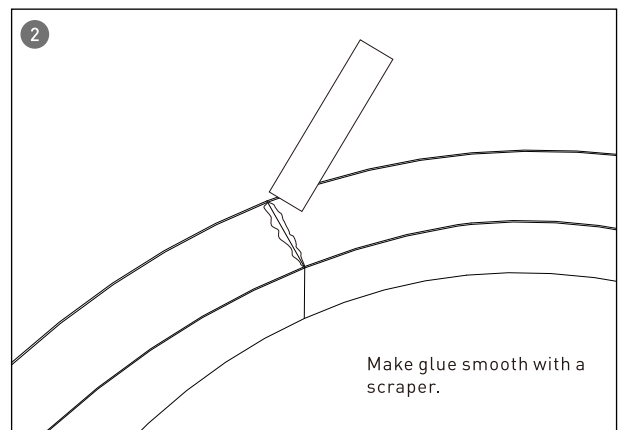
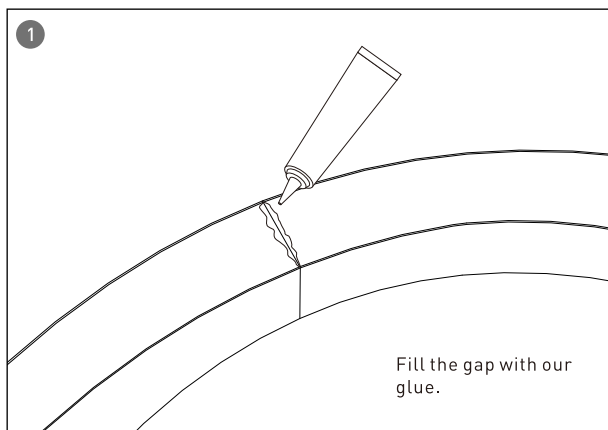
\*Lumens @4000K, CRI 80

Model	Item	Size/mm	Power/W 1 pcs	Lumens /lm	Dimming	CCT	CRI	Input /VAC	Color	Certification
LC6080	LC6080-C-450	H80xD450	20	2000	Non Dali Push 0-10V	2700K 3000K 4000K 6000K 6500K	>80 >90 >95	200-240 100-277	White Black Silver Gold	CE CB SAA RCM RoHS ETL
	LC6080-C-660	H80xD660	30	3000						
	LC6080-C-900	H80xD900	40	4000						
	LC6080-C-1060	H80xD1060	50	5000						
	LC6080-C-1200	H80xD1200	60	6000						
	LC6080-C-1560	H80xD1560	80	8000						
	LC6080-C-1860	H80xD1860	110	11000						
	LC6080-C-2060	H80xD2060	120	12000						
	LC6080-C-2460	H80xD2460	150	15000						
	LC6080-C-3060	H80xD3060	180	18000						
	LC6080-C-4060	H80xD4060	240	24000						
	LC6080-C-5060	H80xD5060	320	32000						
	LC6080-C-6060	H80xD6060	360	36000						
	LC6080-C-7060	H80xD7060	480	48000						

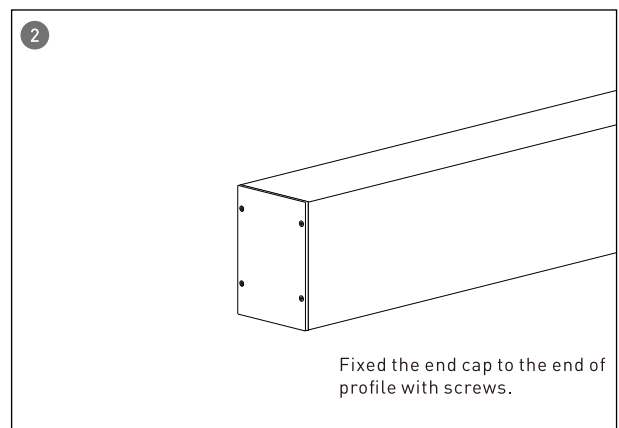
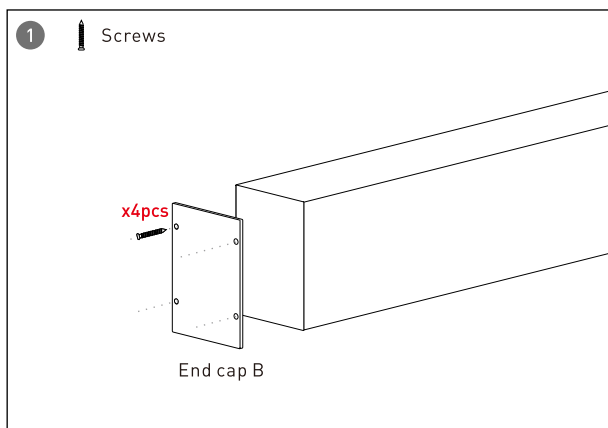
### Installation-Profile connection



### Installation-Cover connection



### Installation-End cap



## Installation-Pendant with ceiling box

1

x 4pcs

dia < 1.2m, n=4;  
 dia=1.5/1.8/2.4m, n=4;  
 dia=3.0/3.6m, n=6;  
 dia=4.0/5.0m, n=8pcs;  
 dia=6.0/7.0m, n=12pcs;

First, make marks on the ceiling, then dig holes.

2

For Small box

x2pcs

Second, fixed the terminals of the pendant suit and box holder with screws

3

x4pcs

Install the terminals of the pendant suit.

4

Install the lamp as the picture shows.

5a

If the driver is **dimming & external** installation

Dimming wire

Big box

Input wire AC~

-36VDC

LED+  
LED-

Connect the wires correctly as above showing.

5b

If the driver is **non-dimming & external** installation

Big box

Input wire AC~

-36VDC

Connect the wires correctly as above showing.

6

x2pcs

Big box

Install the big box as above showing.

7

Finished

### Installation-Pendant cable

1

x 4pcs

dia<1.2m, n=4;  
dia=1.5/1.8/2.4m, n=4;  
dia=3.0/3.6m, n=6;  
dia=4.0/5.0m, n=8pcs;  
dia=6.0/7.0m, n=12pcs;

First, make marks on the ceiling, then dig holes.

2

For Small box

x2pcs

Second, fixed the terminals of the pendant suit and box holder with screws

3

x4pcs

Install the terminals of the pendant suit.

4

Install the lamp as the picture shows.

5a

If the driver is **dimming & internal** installation

Color for wires

- AC-L
- AC-N
- GND
- DIM+(DA1)
- DIM-(DA2)

Connect the wires correctly as above showing.

5b

If the driver is **non-dimming & internal** installation

Color for wires

- AC-L
- AC-N
- GND

Connect the wires correctly as above showing.

6

x2pcs

Small box

Driver

Install the small box as above showing.

7

Finished

# Installation-Ceiling

1

x 4pcs

dia<1.2m, n=4;  
dia=1.5/1.8/2.4m, n=4;  
dia=3.0/3.6m, n=6;  
dia=4.0/5.0m, n=8pcs;  
dia=6.0/7.0m, n=12pcs;

First, make marks on the ceiling, then dig holes.

2

Input wire

Profile

Install the spring screws.

3a

If the driver is **dimming & internal** installation

Dimming wire

Driver

Input wire AC~

Color for wires

Brown	AC-L
Blue	AC-N
Yellow	GND
Red	DIM+-(DA1)
Black	DIM-(DA2)

Connect the wires correctly as above showing.

3b

If the driver is **non-dimming & internal** installation

Driver

Input wire AC~

Color for wires

Brown	AC-L
Blue	AC-N
Yellow	GND

Connect the wires correctly as above showing.

4

Install the lamp.

5

Ceiling

Spring screws

Input wire

Install the lamp.

6

Finished.

### Installation-Wall mounted

1

x 4 pcs

dia < 1.2m, n=4;  
 dia=1.5/1.8/2.4m, n=4;  
 dia=3.0/3.6m, n=6;  
 dia=4.0/5.0m, n=8 pcs;  
 dia=6.0/7.0m, n=12 pcs;

First, make marks on the ceiling, then dig holes.

2

Input wire

Profile

Install the spring screws.

3a

If the driver is **dimming & internal** installation

Dimming wire

Input wire AC~

Driver

Color for wires

Blue	AC-L
Brown	AC-N
Yellow	GND
Red	DIM+-(DA1)
Black	DIM-(DA2)

Connect the wires correctly as above showing.

3b

If the driver is **non-dimming & internal** installation

Input wire AC~

Driver

Color for wires

Blue	AC-L
Brown	AC-N
Yellow	GND

Connect the wires correctly as above showing.

4

Install the lamp.

5

Wall

Input wire

Spring Screws

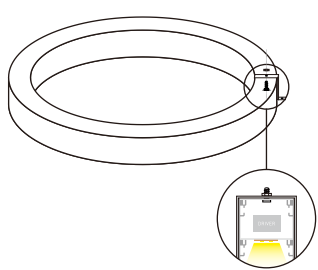
Install the lamp.

6

Finished.

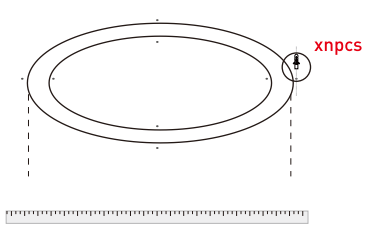
## Installation- Recessed

1



First, fix the box with screws.

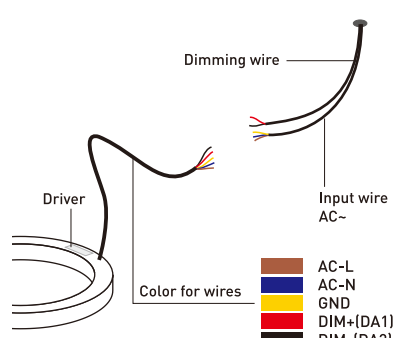
2



Second, make a hole by the size of the luminaire, and fixed the screws on ceiling.

3a

If the driver is **dimming & internal** installation



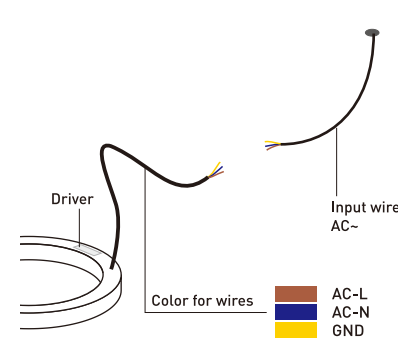
Color for wires

- AC-L
- AC-N
- GND
- DIM+(DA1)
- DIM-(DA2)

Connect the wires correctly as above showing.

3b

If the driver is **non-dimming & internal** installation

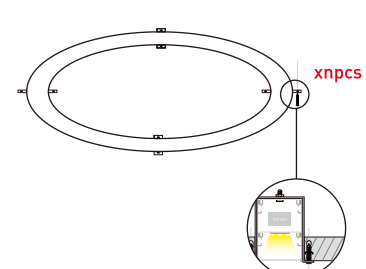


Color for wires

- AC-L
- AC-N
- GND

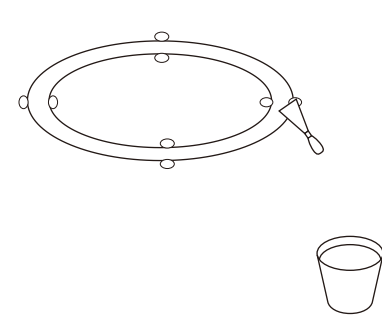
Connect the wires correctly as above showing.

4



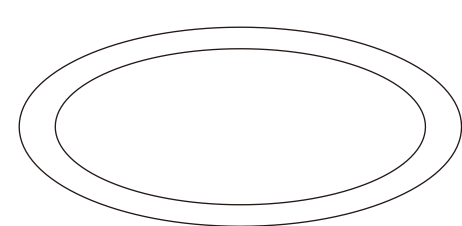
Install the lamp with the screws.

5



Make the ceiling smooth with the tool.

6



Finished



## Project



## Precautions

### Recommended practice for fixture storage and maintenance

1. The storage site shall be dry, clean and well ventilated;
2. Shelves or cabinets shall be provided for fixture storage;
3. Proper fire prevention measure shall be provided;
4. Fixtures (including accessories) shall be managed and stored by type and properly marked;
5. The supplied user manuals and packing boxes of fixtures, accessories and light sources shall be properly maintained for future reference;
6. Fixtures shall be regularly wiped and maintained;
7. Clean and soft cloth shall be used to wipe fixtures;
8. Do not wash fixtures with water.

### Notes on product warranty

1. A warranty period of five years is provided for products in normal use. For any faults arising during the period that are confirmed to be quality related by inspection of the company, a product of the same model will be replaced for free.
2. The warranty does not cover any of the following:
  - 1) Any product damage due to usage not allowed in the instructions;
  - 2) Any product damage due to disassembling or wrong operations by the user;
  - 3) Severe appearance damage or deformation of the product;