

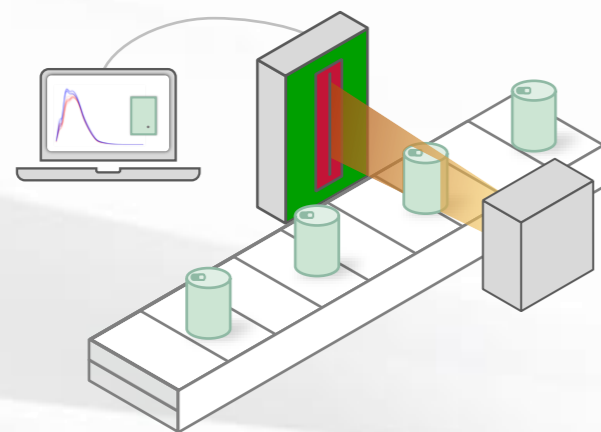


# The most advanced food inspection system

The result of over **10 years of applied in-house R&D**

The unique synergy of **3 high technological innovations**

A cutting-edge **AI inspection software** based on Convolutional Neural Networks

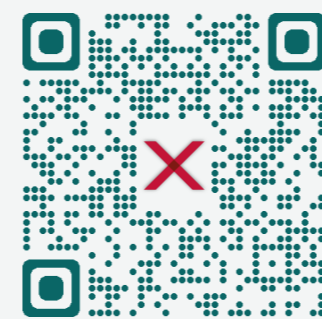


A real time multi-energy spectroscopic analysis up to **1.024 energy levels** (conventional inspection solutions stop at 2)

# X SPECTRA

THE MOST ADVANCED INSPECTION TECHNOLOGY

BY XNEXT



## Xnext S.p.A.

Via Valtorta 48 – 20127 Milan – Italy

+39 02 4539 0524

info@x-next.com

www.x-next.com

www.xspectra.eu

# XNEXT

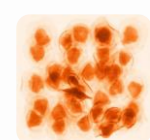
ADVANCED INSPECTION TECHNOLOGY



X SPECTRA  
THE MOST ADVANCED INSPECTION TECHNOLOGY

www.x-next.com

MADE IN ITALY



Carapace in filled pasta



Rubber band inside tomato tin can



Rubber in sandwich bread



Wood splinter in spreadable cream jar



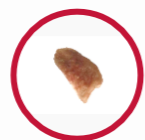
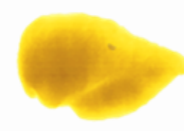
Plastic fragments in spreadable cheese



Plastic fragment in chicken cutlet

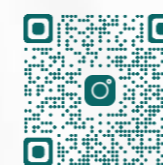


Olive stone in pitted olives jar



Fragment of bone in chicken breast

REACH US ON OUR SOCIAL MEDIA:



# The 1<sup>st</sup> company in the world to

- Design a food inspection **multi energy** detector
- Develop an **AI based** inspection software
- Realize the entire system in-house, from the **detector** to the **machine**

## XSpectra® Detection

One machine to detect them all

### HIGH DENSITY



Metal

Stone

Glass



### LOW DENSITY



Plastic

Wood

Bones

Insects

Kernels

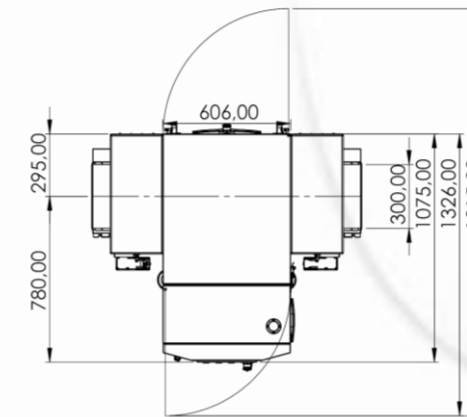
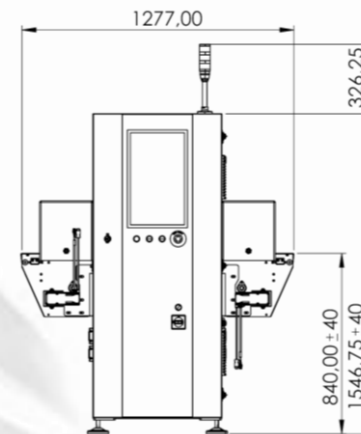
We detect what the others don't

+ Non-conformities

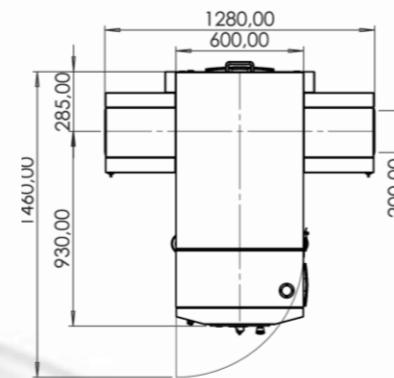
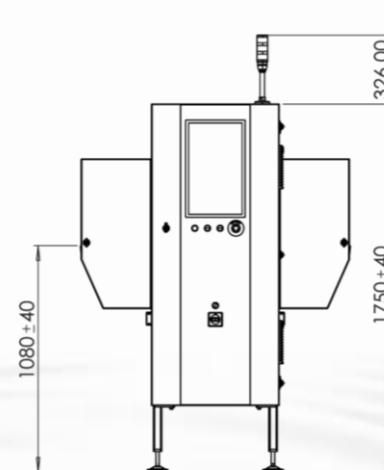
- ▶ Volume
- ▶ Product Size
- ▶ Shape
- ▶ Lack of Product

## XSPECTRA - XIS4 Top-Down Inspection

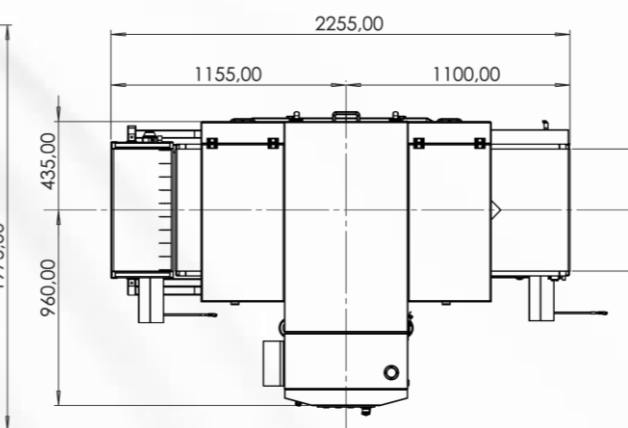
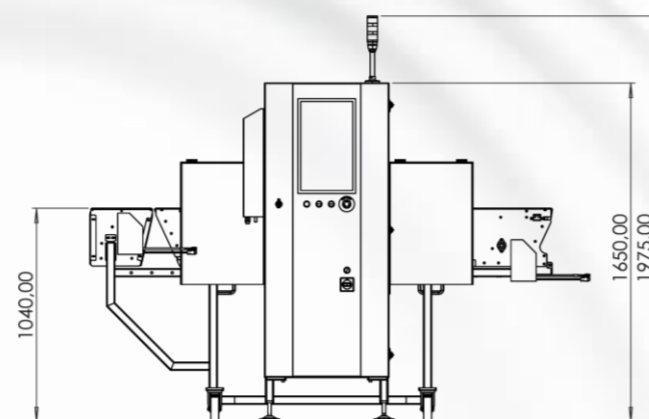
Scale Drawings



## XSPECTRA - XIS4 Lateral Inspection



## XSPECTRA - XIS4 Bulk Top-Down Inspection



## XSPECTRA Technical datasheet

Model	XIS4 T-D Inspection	XIS4 Lateral Inspection	XIS4 Bulk T-D Inspection
Inspection Area	300 mm	300 mm	600 mm
Weight	~400 kg	~500 kg	~700 kg
Belt speed	Up to 50 m/min (depending on product weight)		
Belt type/material	Blue TPU mats suitable for food contact, brushless motors, 10mm inlet and outlet rollers for optimal product transfer. Easy replacement		
Construction materials	Inox Steel AISI 304 and anodized aluminum		
X-ray tube maximum power	350/500 W		
Detector key features	Solid state, 0.8/0.4 mm pixels		
Cooling System Detector/Generator	Closed-loop water cooling through integrated chiller		
X-ray protection	Lead-free curtains 1.85 mm thick, suitable for food contact		
Tower light	RYG (optional: acoustic alarm)		
Ejection system	Air jet or piston depending on product features		
Compressed air supply	3 to 10 Bar		
Dust/humidity protection grade	IP54		
HMI	18,5" Full HD touchscreen monitor. Smartphone UI in Italian, English, French. Password-protected access levels for parameter management & machine data access		
Data and images	Image download to USB driver, minimum storage of 6 months		
Environmental Conditions	5° - 35° C, max 80% relative humidity, no condensation		
Storage conditions	-20° ÷ +50° C, dry		
Image download	Via SFTP		
Power supply	230 VAC, 50 Hz, 16A, Single-phase		

### Optionals

- ▶ Multi-line inspection
- ▶ Blue silicone mat suitable for food contact, when higher friction is required
- ▶ Curtains 1.25 mm thick, suitable for light products
- ▶ Visible/infrared inspection modules
- ▶ Check-weight module
- ▶ Scrap and ejection check
- ▶ Product guides customizable
- ▶ OPC-UA protocol I/F (other standards available on request)
- ▶ Protection up to IP69K
- ▶ Non-standard slide height
- ▶ Preventive Care Solution Service
- ▶ Services Upon Request

The machines shown in this leaflet are to be considered as an example of standard machines, as well as fully customizable. Xnext, in view of the continuous technologic evolution promoting, may modify technical data and features of the products described in this leaflet without notice. Such leaflet has to be considered merely indicative and does not constitute any offer.

The machines shown in this leaflet are to be considered as an example of standard machines, as well as fully customizable. Xnext, in view of the continuous technologic evolution promoting, may modify technical data and features of the products described in this leaflet without notice. Such leaflet has to be considered merely indicative and does not constitute any offer.