



SPRENGER

HARDWARE CATALOGUE

Herrn. Sprenger

HANDCRAFTED IN GERMANY
SINCE 1872



Material & quality codes

00	Various materials
01	Steel nickel plated
02	Steel chrome plated
04	Steel brass plated
05	Steel polished
06	Steel zinc plated
24	Zinc die-casting black
33	Brass polished
34	Brass nickel plated
35	Brass chrome plated
39	Zinc die-casting zinc plated
40	German Silver I. highly polished
43	German Silver mechanically polished
45	Zinc die-casting chrome
53	Aluminium black
54	Aluminium silver-colored
55	HS-Stainless steel
56	Stainless steel
57	Stainless steel black
63	Plastic black
65	Stainless steel matt
66	Stainless steel black matt
67	CUROGAN
71	Plastic anthracite
73	Plastic fluorescent
A0	Plastic black
A2	Brass chrome plated
A3	Brass polished
A4	Aluminium
A5	HS-Stainless steel
A6	Stainless steel

Article number

Select your desired quality and be sure to include the complete article number with each order. Our article numbers are 10 digits long and structured as follows:

63000 + 016 + 57
 Article Size Quality

Main index

No.	Category	Page
1.	D-Rings	4-5
2.	Rings & Loops	6-7
3.	Swivel	8-11
4.	Key rings	12
5.	Bridle fittings	13
6.	Buckles	14-18
7.	Snap hooks	19-26
8.	Scissor snap hooks	27
9.	Snap shackles	28-29
10.	Shackles	30-33
11.	Saddle accessories	34
12.	Closures	35
13.	ClicLock safety closures	36-37
14.	Blanket fastenings & sliders	38
15.	Harness fittings	39-40
16.	Lead chain, Safety & Arabian Show Chain	41-42
17.	Assembly Chains	43-44
18.	Care & Dehumidifiers	45
19.	Hole punches & Accessories	46
20.	Hinges	47-49
21.	Mounting	50-52
22.	Canopies	53-54
23.	Strike fittings	55-59
24.	Turnbuckles & Terminals	60-61
25.	Various	62
26.	Blocks	63-71
27.	Tracks & Slides	72-76
28.	Rubber ropes & hooks	77
29.	Clam cleats	78-79





D-Ring
Steel nickel plated, welded



Article number	Wire gauge [mm]	Inner width [mm]	Box qty
69520 014 01	2,40	14	500
69520 016 01	2,60	16	500
69520 020 01	3,00	20	500
69520 025 01	3,40	25	500



D-Ring
Stainless steel, welded



Article number	Wire gauge [mm]	Inner width [mm]	Box qty
69520 015 56	3,00	15	100
69520 020 56	3,00	20	100
69520 025 56	4,00	25	100
69520 030 56	4,00	30	100



D-Ring
Stainless steel black, welded



Article number	Wire gauge [mm]	Inner width [mm]	Box qty
69520 015 57	3,00	15	100
69520 020 57	3,00	20	100
69520 025 57	4,00	25	100
69520 030 57	4,00	30	100



D-Ring HS
Stainless steel (55), Stainless steel black (57), punched



Article number	Material	Length [mm]	Inner width [mm]	Inner width 0 [mm]	Box qty
69521 016 __	55 / 57	27	16	10	100
69521 020 __	55 / 57	31	20	14	100
69521 025 __	55 / 57	41	25	18	100

D-Ring

Brass polished, casted



Article number	Wire gauge [mm]	Inner width [mm]	Box qty
63220 016 33	2,50	16	100
63220 020 33	4,00	20	100
63220 025 33	4,50	25	50
63220 029 33	4,50	29	50
63220 035 33	4,50	35	50



D-Ring

German Silver II. mechanically polished, casted



Article number	Wire gauge [mm]	Inner width [mm]	Box qty
43220 016 43	4,50	16	100
43220 018 43	4,50	18	100
43220 020 43	4,50	20	100
43220 025 43	4,50	25	100
43220 027 43	4,50	27	100
43220 029 43	4,50	29	100
43220 032 43	4,50	32	100



D-Ring

Brass polished (33) / German Silver II. mechanically polished (43), casted



Article number	Material	Wire gauge [mm]	Inner width [mm]	Box qty
43223 016 43	43	3,00	16	100
43223 020 __	33 / 43	3,00	20	100
43223 023 __	33 / 43	3,00	23	100



D-Ring

German Silver II. mechanically polished, casted



Article number	Wire gauge [mm]	Inner width [mm]	Box qty
46681 016 43	3,00	16	100
46681 020 43	3,00	20	100



D-Ring

Stainless steel, punched



Article number	Wire gauge [mm]	Inner width [mm]	Box qty
46687 020 55	2,70	20	100



D-Ring, bent

German Silver II. mechanically polished, casted



Article number	Wire gauge [mm]	Inner width [mm]	Box qty
43219 020 43	3,00	20	100





Ring
Steel nickel plated, welded



Article number	Wire gauge [mm]	Inner width [mm]	Box qty
69524 016 01	2,60	16	500
69524 020 01	3,00	20	500
69524 022 01	3,20	22	500
69524 025 01	3,50	25	500
69524 027 01	3,50	27	500
69524 030 01	4,00	30	500
49526 036 01	5,50	36	500



Ring
Stainless steel, welded



Article number	Wire gauge [mm]	Inner width [mm]	Box qty
69524 016 56	3,00	16	50
69524 020 56	3,00	20	50
69524 025 56	4,00	25	50
69524 030 56	4,00	30	50



Ring
Stainless steel black, welded



Article number	Wire gauge [mm]	Inner width [mm]	Box qty
69524 016 57	3,00	16	50
69524 020 57	3,00	20	50
69524 025 57	4,00	25	50
69524 030 57	4,00	30	50

Ring

Brass polished, casted



Article number	Wire gauge [mm]	Inner width [mm]	Box qty
30275 013 33	3,00	13	50
30275 016 33	4,00	16	50
69525 018 33	2,30	18	100
69525 021 33	3,00	21	100
69525 025 33	4,00	25	100
69525 030 33	4,80	30	100



Ring

German Silver II. mechanically polished, casted



Article number	Wire gauge [mm]	Inner width [mm]	Box qty
43227 025 43	4,00	25	50
43227 030 43	4,00	30	50
43227 035 43	5,00	35	50



Ring

Stainless steel, casted



Article number	Wire gauge [mm]	Inner width [mm]	Box qty
30260 025 55	5,00	25	10



Loop

Steel nickel plated, unwelded, light weight



Article number	Wire gauge [mm]	Inner width [mm]	Inner height [mm]	Box qty
69514 016 01	1,30	16	9	500
69514 020 01	1,30	20	9	500
69514 025 01	1,30	25	11	500





Swivel shackle
Stainless steel, 360° rotatable



Article number	Breaking load [kg]	Material thickness [mm]	Ø Stud [mm]	B1 [mm]	L1 [mm]	Box qty
35959 060 A6	1000	2,00	6	13	62	20



Flag swivel
Brass polished, 360° rotatable



Article number	L1 [mm]	Box qty
35960 065 A3	65	50
35960 090 A3	90	50



Buoy swivel
Stainless steel, 360° rotatable



Article number	Working load [kg]	Breaking load [kg]	Material thickness [mm]	Ø Stud [mm]	B1 [mm]	L1 [mm]	Box qty
35965 110 55	1125	4500	5,00	10	22	110	5



Swivel with round shackle
Stainless steel, 360°



Article number	Ø Stud [mm]	B1 [mm]	L1 [mm]	Box qty
35985 010 A5	4	8	40	50

Swivel with round shackle
Stainless steel, 360° rotatable



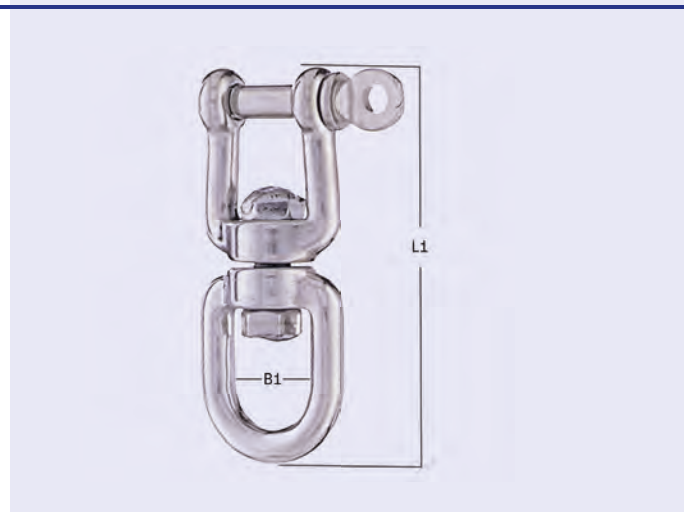
Article number	Ø Stud [mm]	B1 [mm]	L1 [mm]	Box qty
35985 011 A5	5	10	57,5	20



Swivel fork / eye
Stainless steel, AISI 316, casted



Article number	Working load [kg]	Breaking load [kg]	Material thickness [mm]	B1 [mm]	L1 [mm]	Box qty
35932 066 56	225	1350	6	12	66	10



Swivel
Stainless steel, 360° rotatable



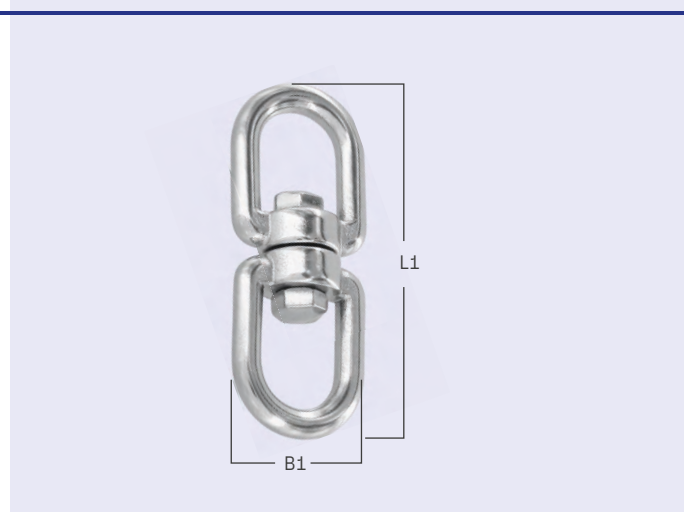
Article number	Working load [kg]	Breaking load [kg]	Material thickness [mm]	B1 [mm]	L1 [mm]	Box qty
35970 000 55	375	1500	6	20	70	10

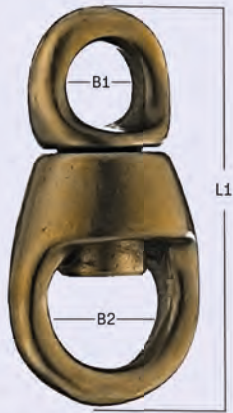


Swivel eye / eye
Stainless steel, AISI 316, casted, 360° rotatable




Article number	Material thickness [mm]	B1 [mm]	L1 [mm]	Box qty
35971 005 56	5	13	60	10
35971 006 A6	6	15	65	10
35971 008 A6	8	20	88	10
35971 010 56	10	24	115	10





Ball bearing swivel
Brass polished, 360° rotatable




Article number	Breaking load [kg]	B1 [mm]	B2 [mm]	L1 [mm]	Bearing	Box qty
31050 052 A3	1000	13	21	50		10



Ball bearing swivel
Stainless steel, 360° rotatable



Article number	Working load [kg]	Breaking load [kg]	L1 [mm]	Bearing	Box qty
31060 088 A5	875	3500	88		10



Swivel
Brass polished, casted (heavy version),
leather washer between swivel and plate



Article number	Drillings [mm]	Inner width [mm]	Plate [mm]	Box qty
63002 017 33	4,10	17	17	50
63002 020 33	4,20	20	26	50
63002 025 33	4,50	25	27	50



Double swivel

Steel nickel plated, punched



Article number	Inner width [mm]	Length [mm]	Box qty
63000 014 01	14	22	100
63000 016 01	16	40	100
63000 018 01	18	44	100



HS swivel

Stainless steel, punched



Article number	Inner width [mm]	Length [mm]	Box qty
63000 016 55	16	40	100
63000 021 55	21	63	100



HS swivel

Stainless steel, black, punched



Article number	Inner width [mm]	Length [mm]	Box qty
63000 016 57	16	40	100
63000 021 57	21	63	100



Lunge swivel with 1 roller

Brass, nickel plated



Article number	Inner width [mm]	Length [mm]	Box qty
45299 023 34	23	52	50





Key ring
Steel nickel plated



Article number	Wire gauge [mm]	Inner width [mm]	Box qty
55950 012 01	0,75	10	500
55950 018 01	1,20	15	500
55950 025 01	2,00	19	500
55950 030 01	2,50	23	500
55950 032 01	2,50	25	500



Key ring, heavy
Stainless steel (55), Stainless steel, black (57)



Article number	Material	Wire gauge [mm]	Inner width [mm]	Box qty
55950 025 __	55 / 57	2,00	19	100
55950 032 __	55 / 57	2,50	25	100



Ring with bar
Steel nickel plated, welded bar



Article number	Wire gauge [mm]	Inner width [mm]	Box qty
69523 010 01	2,00	10	100
69523 014 01	2,50	14	100
69523 016 01	3,00	16	100
69523 018 01	3,00	18	100
69523 020 01	3,20	20	100
69523 025 01	4,00	25	100



Ring with bar
Stainless steel, welded bar



Article number	Wire gauge [mm]	Inner width [mm]	Box qty
69523 015 56	3,00	16	100
69523 020 56	3,20	20	100
69523 025 56	4,00	25	100

Bridle hook
German silver, polished



Article number	Dimensions [mm]	Box qty
46960 000 43	8 x 18	100



Bridle hook
Brass (33) / German silver (43), forged, for round-stitched bridles



Article number	Material	Dimensions [mm]	Box qty
46965 000 __	33 / 43	5 x 18	100



Halter ring
Steel nickel plated, punched



Article number	Inner width [mm]	Box qty
46243 025 01	25	50



Halter ring
Brass nickel plated, casted (heavy version)



Article number	Inner width [mm]	Box qty
46244 025 34	25	50



Noseband ring
German silver polished, casted



Article number	Inner width [mm]	Box qty
46860 025 43	25	50



Noseband ring
German silver polished, casted



Article number	Inner width [mm]	Box qty
46870 016 43	16	100
46870 023 43	23	100

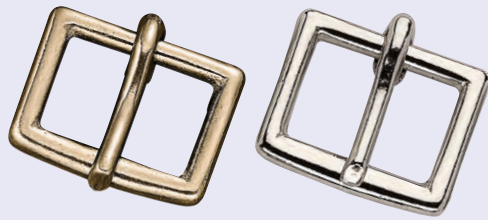


Cheek bars
Steel nickel plated, casted



Article number	Use for	Width [mm]	Box qty
40706 090 01	Snaffles	90	20
40706 100 01	Snaffles	100	20



**Bridle buckle**

Brass polished (33) / German Silver II. mechanically polished (43), casted



Article number	Material	Inner width [mm]	Box qty
46690 013 __	33 / 43	13	100
46690 016 43	43	16	100
46690 018 43	43	18	100
46690 020 43	43	20	100

**Bridle buckle**

Brass polished (33) / German Silver II. mechanically polished (43), punched, high strength



Article number	Material	Inner width [mm]	Box qty
46694 010 43	43	10	100
46694 013 __	33 / 43	13	100
46694 016 __	33 / 43	16	100
46694 018 43	43	18	100
46694 020 43	43	20	100
46694 023 43	43	23	100

**Bridle buckle**

Brass polished (33) / Stainless steel (55), punched, high strength



Article number	Material	Inner width [mm]	Box qty
46695 010 55	55	10	100
46695 013 __	33 / 55	13	100
46695 016 __	33 / 55	16	100
46695 018 __	33 / 55	18	100
46695 020 __	33 / 55	20	100
46695 023 55	55	23	100
46695 025 55	55	25	100

**Bridle buckle**

German Silver II. mechanically polished, casted



Article number	Material	Inner width [mm]	Box qty
46680 013 43	43	13	100
46680 016 43	43	16	100
46680 018 43	43	18	100

Harness buckle

Brass polished, casted (strong version)



Article number	Inner width [mm]	Box qty
43560 012 33	12	50
43560 014 33	14	50
63560 016 33	16	50
43560 018 33	18	50
63560 020 33	20	50
43560 023 33	23	50
63560 025 33	25	50
63560 029 33	29	50
43560 032 33	32	50



Harness buckle

German Silver II, mechanically polished, casted (strong version)



Article number	Inner width [mm]	Box qty
43560 012 43	12	50
43560 014 43	14	50
43560 016 43	16	50
43560 018 43	18	50
43560 020 43	20	50
43560 023 43	23	50
43560 025 43	25	50



Harness buckle

Stainless steel, casted (strong version)



Article number	Inner width [mm]	Box qty
43560 012 56	12	50
43560 014 56	14	50
43560 016 56	16	50
43560 018 56	18	50
43560 020 56	20	50
43560 023 56	23	50
43560 025 56	25	50
43560 027 56	27	50



Harness buckle

Stainless steel black, casted (strong version)



Article number	Inner width [mm]	Box qty
63560 014 57	14	50
63560 016 57	16	50
63560 020 57	20	50
63560 025 57	25	50
63560 029 57	29	50





Buckle with roller
Steel nickel plated, welded



Article number	Inner width [mm]	Inner height [mm]	Box qty
69510 012 01	12	8	500
69510 014 01	14	8	500
69510 016 01	16	11	500
69510 020 01	20	12	500
69510 025 01	25	15	500
49512 026 01	26	18	100
49512 030 01	30	20	100



Buckle with roller
Brass polished, casted



Article number	Inner width [mm]	Inner height [mm]	Box qty
69509 016 33	16	11	100
69509 020 33	20	15	100
69509 025 33	25	17	100



Buckle with roller
German Silver II. mechanically polished, casted



Article number	Inner width [mm]	Inner height [mm]	Box qty
46530 013 43	13	9	50
46530 016 43	16	11	50
46530 018 43	18	12	50
46530 020 43	20	15	50
46530 025 43	25	18	50
46530 029 43	29	22	50



Buckle with roller
German Silver II. mechanically polished (43) / Stainless steel (56),
casted



Article number	Material	Inner width [mm]	Inner height [mm]	Box qty
43540 018 43	43	18	20	50
43540 020 43	43	20	22	50
43540 023 43	43	23	25	50
43540 025 43	43	25	26	50
43540 027 43	43	27	28	50
43540 029 43	43	29	27	50
43540 032 __	43 / 56	32	33	50

Buckle with roller

Stainless steel (56) / Stainless steel black (57), casted



Article number	Material	Inner width [mm]	Inner height [mm]	Box qty
66530 016 __	56 / 57	16	20	50
46530 018 56	56	18	20	50
66530 020 __	56 / 57	20	22	50
66530 026 __	56 / 57	26	25	50



Spur strap buckle

Steel nickel plated, casted



Article number	Inner width [mm]	Inner height [mm]	Box qty
46161 014 01	14	18	100
46161 016 01	16	19	100



Bridle buckle

German Silver II. mechanically polished, casted



Article number	Inner width [mm]	Inner height [mm]	Box qty
46760 013 43	13	22	100
46760 016 43	16	26	100
46760 018 43	18	31	100
46760 020 43	20	32	100
46760 023 43	23	34	100
46760 025 43	25	38	100



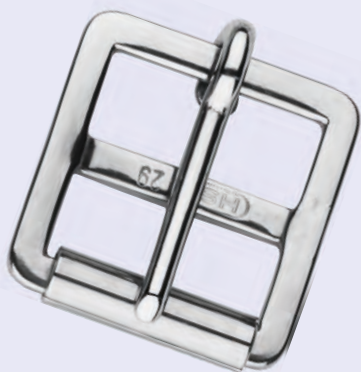
Double buckle

Zinc die-casting, casted



Article number	Inner width [mm]	Inner height [mm]	Box qty
49504 016 45	16	30	100
49504 025 45	25	43	100





Girth buckle with movable roller
Stainless steel, punched



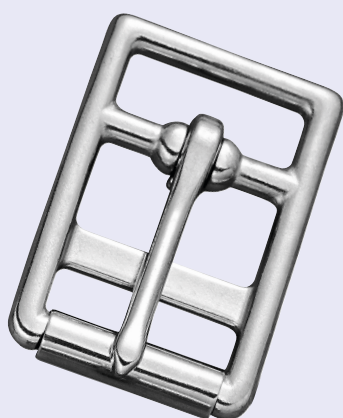
Article number	Inner width [mm]	Box qty
46233 027 55	27	50
46233 029 55	29	50



Girth buckle with fixed roller
Stainless steel, punched



Article number	Inner width [mm]	Box qty
46234 027 55	27	50



Double buckle with roller for girths
Stainless steel, casted



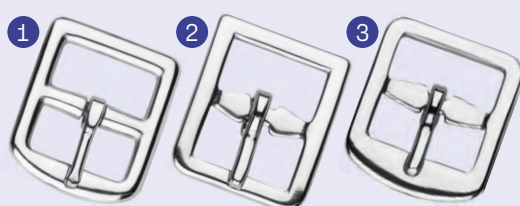
Article number	Inner width [mm]	Box qty
46219 025 56	25	50
46219 029 56	29	50



Stirrup leather buckle with roller
Stainless steel, punched



Article number	Inner width [mm]	Box qty
46228 029 55	29	50



Stirrup leather buckle
Stainless steel



Article number	Inner width [mm]	Version	Photo	Box qty
46230 023 56	23	casted	1	50
46230 925 55	25	punched	2	50
46230 027 55	27	punched	3	50
46230 029 55	29	punched	3	50

Snap hook

Steel nickel plated, malleable iron, round swivel

Article number	Length [mm]	Inner width [mm]	Box qty
60400 014 01	78	14	50
60400 016 01	87	16	50
60400 019 01	93	19	50



Snap hooks

Zinc die-casting nickel plated, round swivel

Article number	Length [mm]	Inner width [mm]	Box qty
60490 050 45	50	11	50
60490 065 45	65	13	50
60490 075 45	75	13	50
60490 080 45	80	16	50
60490 085 45	85	20	50
60491 090 45	90	20	50



Snap hook

Stainless steel, round swivel



Article number	Length [mm]	Inner width [mm]	Box qty
60490 055 55	55	10	50
60490 165 55	71	10	50
60490 065 55	72	12	50
60490 075 55	82	15	50
60490 085 55	85	19	50
60490 090 55	92	19	50



Snap hook

Stainless steel black, round swivel



Article number	Length [mm]	Inner width [mm]	Box qty
60490 055 57	55	10	50
60490 165 57	71	10	50
60490 065 57	72	12	50
60490 075 57	82	15	50
60490 085 57	85	19	50
60490 090 57	92	19	50





Snap hook
Brass polished, closeable

Article number	Length [mm]	Inner width [mm]	Box qty
48460 090 33	87	16	50

Snap hook

Brass polished, round swivel

Article number	Length [mm]	Inner width [mm]	Box qty
60490 055 33	55	11	50
60490 065 33	63	13	50
60490 075 33	80	17	50
60490 080 33	80	20	50
60490 085 33	87	20	50
60490 090 33	89	25	50
48490 115 33	116	30	50



Snap hook

Zinc die-casting nickel plated, square swivel

Article number	Length [mm]	Inner width [mm]	Box qty
60493 016 45	76	16	50
60493 019 45	74	19	50
60493 025 45	72	25	50



Snap hook

Zinc die-casting chrome plated (45), square swivel

Article number	Length [mm]	Inner width [mm]	Box qty
48505 022 45	82	23	50
48505 025 45	82	26	50



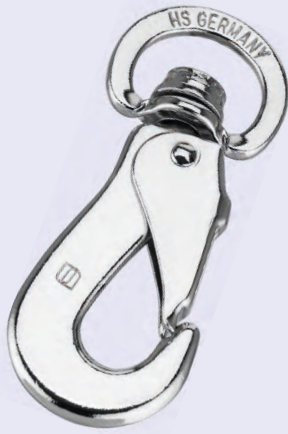
Double Snap hook

Stainless steel AISI 316



Article number	Length [mm]	Inner width [mm]	Box qty
31182 105 56	105	13	20





SPRENGER hook
Steel nickel plated, punched, round swivel



Article number	Length [mm]	Inner width [mm]	Box qty
60250 045 01	45	11	100
60250 055 01	55	16	100
60250 075 01	75	21	100



SPRENGER hook
Stainless steel, punched, round swivel



Article number	Length [mm]	Inner width [mm]	Box qty
60250 045 55	45	11	50
60250 055 55	55	16	50
60250 155 55	61	21	50
60250 065 55	66	19	50
60250 165 55	68	21	50
60250 075 55	75	21	50
60250 175 55	80	25	50



SPRENGER hook
Stainless steel black, punched, round swivel



Article number	Length [mm]	Inner width [mm]	Box qty
60250 045 57	45	11	50
60250 055 57	55	16	50
60250 155 57	61	21	50
60250 065 57	66	19	50
60250 165 57	68	21	50
60250 075 57	75	21	50
60250 175 57	80	25	50



Lunge hook
Steel nickel plated



Article number	Length [mm]	Inner width [mm]	Box qty
48290 000 01	101	45	20

Snap hook

Zinc die-casting nickel plated

Article number	Length [mm]	Inner width [mm]	Box qty
48520 022 45	59	23	20
48520 025 45	60	27	20



Snap hook

Zinc die-casting nickel plated

Article number	Length [mm]	Inner width [mm]	Box qty
48550 016 45	43	17	20



Bridle hook

Bronze (00), Brass polished (33), Brass nickel plated (34)

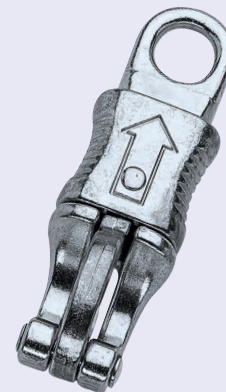
Article number	Material	Length [mm]	Inner width [mm]	Box qty
48493 016 __	33 / 34	63	17	20
48493 022 __	00 / 34	66,5	21	20



Panic hook

Zinc die-casting zinc plated

Article number	Material	Length [mm]	Eye width [mm]	Box qty
48465 000 39	39	104	13,5	20



Hunting-quick-release-snap

Steel nickel plated, 2 fixed eyelets or 1 swivel and one fixed eyelet



Article number	Length [mm]	Inner width [mm]	Version	Box qty
60060 015 01	90	15	without Swivel	10
60060 020 01	90	20	without Swivel	10
60065 015 01	102	15	with Swivel	10
60065 020 01	102	20	with Swivel	10





Scissor snap hook
Brass polished, casted

Article number	Length [mm]	Inner width [mm]	Version	Box qty
68200 013 33	63	13	round Swivel	50
68200 016 33	63	16	round Swivel	50
68200 017 33	63	17	square Swivel	50
68200 020 33	63	20	square Swivel	50



Scissor snap hook
Zinc die-casting, square swivel

Article number	Length [mm]	Inner width [mm]	Box qty
48200 020 45	63	21	50
48200 055 45	67	19	50



Scissor snap hook
Stainless steel black (00) / Stainless steel (56), round swivel



Article number	Material	Length [mm]	Inner width [mm]	Box qty
68200 011 00	00	65	11	50
68200 011 56	56	65	11	50
68200 014 56	56	68	14	50
68200 016 56	56	70	16	50
68200 019 56	56	75	19	50
68200 025 56	56	80	25	50



Snap hook for blanket strap
Steel nickel plated

Article number	Inner width [mm]	Eye width [mm]	Box qty
48210 062 01	62	29	50

Snap hook

Stainless steel AISI 316 (A6), Steel zinc plated (06)



Article number	Breaking load [kg]	Material thickness [mm]	Length [mm]	Box qty
31300 030 A6	-	3	30	50
31300 040 A6	-	4	40	50
31300 050 A6	570	5	50	50
31300 060 A6	670	6	60	50
31300 070 A6	750	7	70	50
31300 080 A6	870	8	80	50
31300 100 A6	1.150	10	100	20
31300 120 A6	1.250	11	120	20
48300 100 06	-	10	100	20



Snap hook with eyelet

Stainless steel AISI 316



Article number	Breaking load [kg]	Material thickness [mm]	Length [mm]	Ø [mm]	Box qty
31301 040 A6	-	4	40	4,5	50
31301 050 A6	570	5	50	7	50
31301 060 A6	670	6	60	8	50
31301 070 A6	750	7	70	8	50
31301 080 A6	870	8	80	12	50
31301 100 A6	1.150	10	100	15	20
31301 120 56	1.250	11	120	18	5



Snap hook with screw-lock

Stainless steel



Article number	Material thickness [mm]	Length [mm]	Box qty
31302 050 A6	5	50	10
31302 060 56	6	60	10
31302 070 56	7	70	10
31302 080 A6	8	80	10
31302 100 A6	10	100	10
31302 120 56	11	120	10



Snap hook with screw-lock and eyelet

Stainless steel



Article number	Material thickness [mm]	Length [mm]	Box qty
31303 050 A6	5	50	10
31303 060 A6	6	60	10
31303 070 56	7	70	10
31303 080 A6	8	80	10
31303 100 A6	10	100	10
31303 120 56	11	120	10





Snap hook asymmetrical
Stainless steel AISI 316



Article number	Material thickness [mm]	Length [mm]	Ø [mm]	Box qty
31324 060 56	6	60	10	10
31324 080 A6	8	80	13	20
31324 100 A6	10	100	15	20
31324 120 A6	12	120	20	10



Snap hook
Stainless steel AISI 316, casted



Article number	Length [mm]	Box qty
31290 030 56	35	20
31290 050 A6	50	20
31290 070 A6	70	20
31290 100 56	100	20



WICHARD snap hook forged
Stainless steel



Article number	Breaking load [kg]	Length [mm]	Box qty
31290 050 55	300	50	10
31290 075 55	800	75	10
31290 100 55	1.800	100	5



WICHARD snap hook asymmetrical
Stainless steel



Article number	Working load [kg]	Breaking load [kg]	Material thickness [mm]	Wichard [nr]	L1 [mm]	Ø [mm]	Box qty
31324 060 55	450	800	6	2323	60	7	10
31324 080 55	960	1.500	8	2325	80	11	10
31324 100 55	1.250	2.200	10	2326	100	13	10
31324 120 55	1.800	3.200	12	2327	120	16	10

Bow hook
Stainless steel



Article number	Dimensions [mm]	Box qty
55980 000 55	50 x 40	50



Scissor snap hook
Steel nickel plated (01), Steel chrome plated (02)



Article number	Material	Length [mm]	Inner width [mm]	Box qty
60020 040 01	01	40	11	50
60020 050 __	01 / 02	50	11	50
60020 060 __	01 / 02	60	13	50
60020 070 __	01 / 02	70	16	50
60020 085 __	01 / 02	85	20	50



Scissor snap hook
Steel nickel plated (01) / Steel chrome plated (02)



Article number	Material	Length [mm]	Inner width [mm]	Box qty
60050 090 __	01 / 02	90	22	25



Pelican hook
Stainless steel AISI 316



Article number	Length [mm]	Ø [mm]	Thread	Box qty
36260 006 56	75	13	M6	10
36260 008 A6	100	15	M8	10





SPRENGER Patent hook for marathon
Stainless steel, casted, with split



Article number	Length [mm]	Inner width [mm]	Box qty
43607 990 56	90	13	10
43607 920 56	130	20	10



SPRENGER Patent hook for marathon
Stainless steel, casted, with Allen screw



Article number	Length [mm]	Inner width [mm]	Version	Box qty
36055 070 A6	70	16	Bolt	10
36055 090 A6	90	20	Allen screw	10
36055 130 A6	128	30	Allen screw	10
43607 036 56	90	36	Allen screw	10
43607 120 56	130	20	Allen screw	10



SPRENGER Patent hook with closed swivel
Stainless steel, casted



Article number	Material	Length [mm]	Inner width [mm]	Box qty
36054 070 A6	56	70	12	10
36054 090 A6	56	87	16	10
36054 120 A6	56	120	22	10



SPRENGER Patent hook
Stainless steel, casted



Article number	Length [mm]	Inner width [mm]	Box qty
36053 035 A6	35	11	10
36053 050 A6	52	12	10
36053 070 A6	66	12	10
36053 095 A6	96	22	10

WICHARD snap shackle
Stainless steel, forged



Article number	Working load [kg]	Breaking load [kg]	Length [mm]	Width [mm]	Box qty
36053 050 55	960	2.000	50	16 10	5
36053 070 55	1.280	3.000	70	21 13	5



WICHARD snap shackle
Stainless steel, forged



Article number	Working load [kg]	Breaking load [kg]	Length [mm]	Width [mm]	Width 2 [mm]	Box qty
36054 070 55	960	2.000	70	16	11	5
36054 090 55	1.280	3.700	90	21	14	5



Shackle key
Stainless steel AISI 316

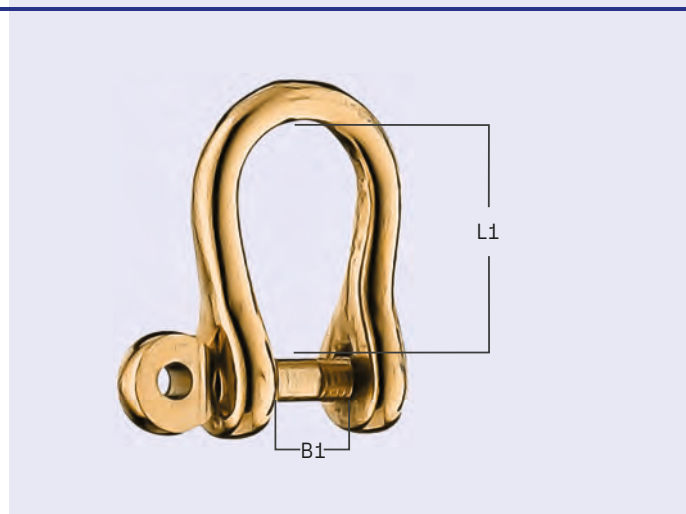


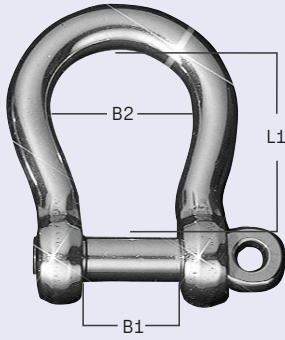
Article number	Box qty
34695 000 56	10



Brass Shackles
Brass polished

Article number	Ø Stud [mm]	B1 [mm]	L1 [mm]	Box qty
34600 003 33	3	9	15	10

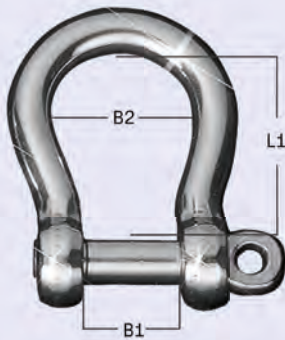




Bow shackle
Stainless steel, forged



Article number	Breaking load [kg]	Ø Stud [mm]	B1 [mm]	B2 [mm]	L1 [mm]	Box qty
34600 004 A6	600	4	8	14	15	50
34600 005 A6	1.000	5	10	17	21	50
34600 006 A6	1.500	6	12	21	23	50
34600 008 A6	2.500	8	16	28	34	30
34600 010 A6	4.000	10	20	35	42	10
34600 012 A6	6.000	12	24	42	49	10



Bow shackle
Stainless steel, forged



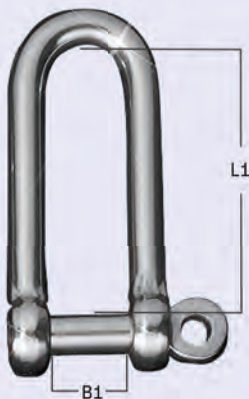
Article number	Breaking load [kg]	Ø Stud [mm]	B1 [mm]	B2 [mm]	L1 [mm]	Box qty
34600 904 A6	600	4	9	15	21	20
34600 905 A6	1.000	5	10	18	26	20
34600 906 A6	1.500	6	12	21	32	20
34600 908 A6	2.500	8	16	25	37	10
34600 910 A6	4.000	10	21	32	49	10
34600 912 A6	6.000	12	25	39	55	10



D-shackle
Stainless steel, forged



Article number	Breaking load [kg]	Ø Stud [mm]	B1 [mm]	L1 [mm]	Box qty
34610 004 A6	600	4	8	17	50
34610 005 A6	1.000	5	10	19	50
34610 006 A6	1.500	6	12	24	50
34610 008 A6	2.500	8	16	32	30
34610 010 A6	4.000	10	20	40	10
34610 012 A6	6.000	12	24	47	10



D-shackle long
Stainless steel, forged

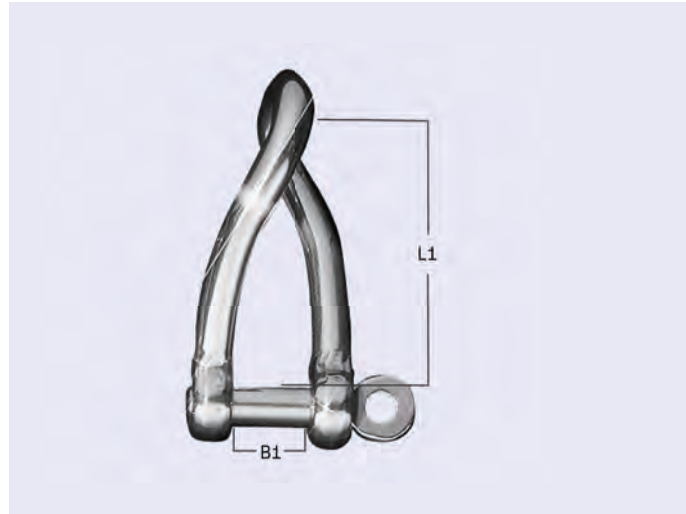


Article number	Breaking load [kg]	Ø Stud [mm]	B1 [mm]	L1 [mm]	Box qty
34614 004 A6	480	4	8	30	20
34614 005 A6	750	5	10	37,5	20
34614 006 A6	1.100	6	12	45	20
34614 008 A6	1.800	8	16	60	10
34614 010 A6	3.000	10	20	75	10

D-shackles twisted
Stainless steel, forged



Article number	Breaking load [kg]	Ø Stud [mm]	B1 [mm]	L1 [mm]	Box qty
34619 004 A6	400	4	8	22	20
34619 005 A6	625	5	10	27,5	20
34619 006 A6	900	6	12	33	20
34619 008 A6	1.500	8	16	44	10
34619 010 A6	2.500	10	20	55	10



Bow shackle
Stainless steel, forged



- With captive bolt

Article number	Breaking load [kg]	Ø Stud [mm]	B1 [mm]	L1 [mm]	Box qty
34631 005 56	1.000	5	10	21	10
34631 006 56	1.500	6	12	23	10
34631 008 56	2.500	8	16	34	10
34631 010 56	4.000	10	20	42	5
34631 012 56	6.000	12	24	49	5



D-shackle
Stainless steel, forged



- With captive bolt

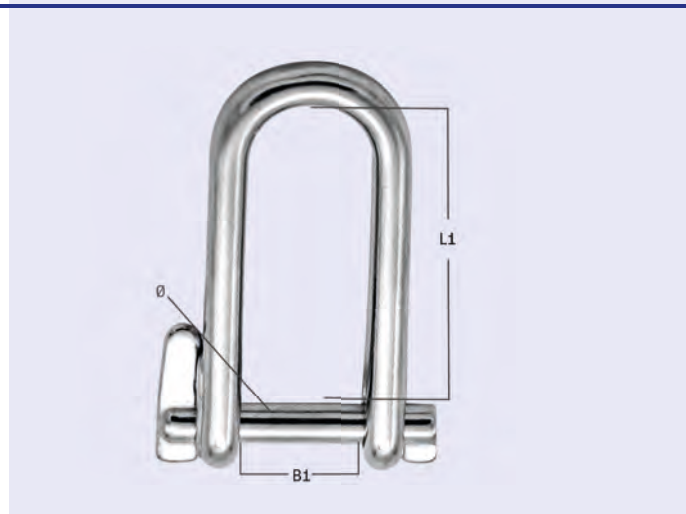
Article number	Breaking load [kg]	Ø Stud [mm]	B1 [mm]	L1 [mm]	Box qty
34632 005 A6	1.000	5	10	19	10
34632 006 A6	1.500	6	12	24	10
34632 008 56	2.500	8	16	32	10
34632 010 56	4.000	10	20	40	5
34632 012 A6	6.000	12	24	47	5

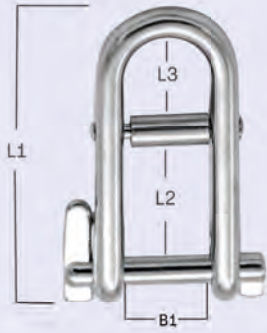


Key pin shackle
Stainless steel AISI 316, casted



Article number	Breaking load [kg]	Ø Stud [mm]	B1 [mm]	L1 [mm]	Box qty
34625 005 56	1.000	5	12	38	10
34625 006 56	1.400	6	15	43	10
34625 008 56	2.500	8	20	60	10





Key pin shackle with bar
Stainless steel AISI 316, casted



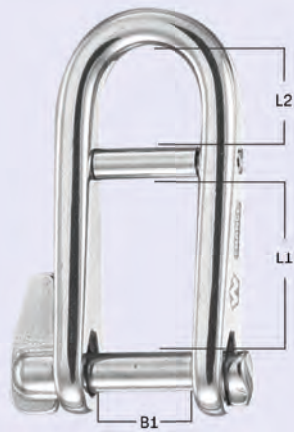
Article number	Breaking load [kg]	Ø Stud [mm]	B1 [mm]	L1 [mm]	L2 [mm]	L3 [mm]	Box qty
34621 005 56	1.000	5	13	38	21	11	20
34621 006 56	1.400	6	15	43	23	14,5	20
34621 008 56	2.500	8	20	60	32	21	10



WICHARD Key pin shackle
Stainless steel, forged



Article number	Working load [kg]	Breaking load [kg]	Ø Stud [mm]	Wichard [nr]	B1 [mm]	L1 [mm]	Box qty
34625 005 55	500	1.200	5	1432	13	37	10
34625 006 55	650	1.700	6	1433	16	44	10



WICHARD Key pin shackle with bar
Stainless steel, forged



Article number	Working load [kg]	Breaking load [kg]	Ø Stud [mm]	Wichard [nr]	B1 [mm]	L1 [mm]	L2 [mm]	Box Qty
34621 005 55	500	1.200	5	81432	13	21	12	10
34621 006 55	650	1.700	6	81433	16	25	15	10
34621 008 55	1.000	2.500	8	81434	21	34	20	10



WICHARD D-shackle
Stainless steel, forged



Article number	Working load [kg]	Breaking load [kg]	Ø Stud [mm]	Wichard [nr]	B1 [mm]	L1 [mm]	Box qty
34615 005 55	256	1.100	5	1262	20	36	10
34615 006 55	320	1.500	6	1263	25,5	42	10
34615 008 55	768	2.700	8	1264	32	57	5
34615 010 55	1.280	4.000	10	1265	40	72	5

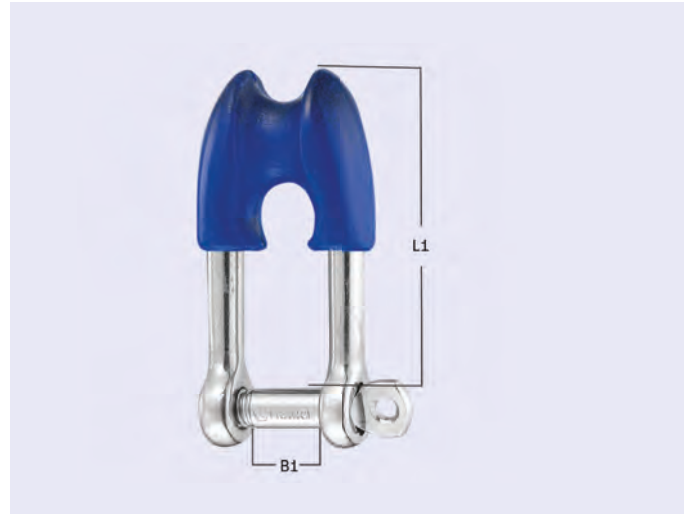
WICHARD Thimble shackle

Stainless steel, forged



- with glass fiber enhanced polypropylene head

Article number	Working load [kg]	Breaking load [kg]	Wichard [nr]	B1 [mm]	L1 [mm]	Box qty
34628 008 55	1.000	3.000	1494	16	41	5
34628 010 55	1.520	5.000	1495	20	51	5

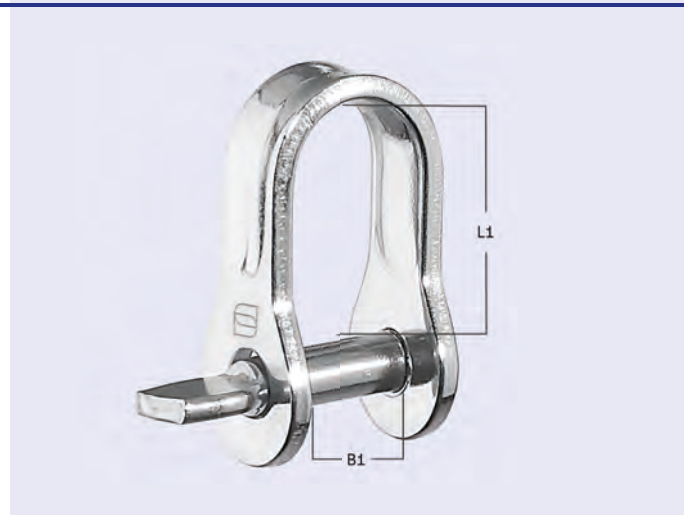


Flat shackle wide

Stainless steel



Article number	Working load [kg]	Breaking load [kg]	Material thickness [mm]	Ø Stud [mm]	Thread	B1 [mm]	L1 [mm]	Box Qty
34680 004 A5	250	1.000	2	5	M 5	11	18	10
34680 007 A5	325	1.300	2	6	M 6	17	25	10
34680 008 A5	400	1.600	2,5	6	M 6	17	25	10



Flat shackle narrow

Stainless steel



Article number	Working load [kg]	Breaking load [kg]	Material thickness [mm]	Ø Stud [mm]	Thread	B1 [mm]	L1 [mm]	Box Qty
34681 003 A5	150	600	1	4	M 4	8	16	10
34681 004 A5	250	1.000	2	5	M 5	8	19	10
34681 005 A5	275	1.100	2	5	M 5	12	22	10
34681 007 A5	325	1.300	2	6	M 6	13	25	10



Key pin shackle with bar

Stainless steel



Article number	Working load [kg]	Breaking load [kg]	Material thickness [mm]	Ø Stud [mm]	B1 [mm]	L1 [mm]	L2 [mm]	Box qty
34686 000 A5	400	1.600	3	4/6	16	40	23	10





Gullet plate HS standard

Forged from hardened and tempered steel (special productions possible)



Article number	Inner width [cm]	Box qty
45231 001 05	28,6	1



Wither gauge

Brass polished



Article number	Box qty
46505 000 33	1



Stirrup bar (by pair)

Stainless steel (special productions possible)



Article number	Length [mm]	Box qty
45237 000 55	90	10



Stirrup bar dressage (by pair)

Stainless steel (special productions possible)



Article number	Length [mm]	Box qty
45237 011 55	125	10



Saddle nail

German silver (40), Stainless steel (55) (special productions possible)



Article number	Material	Head-Ø [mm]	Box qty
46900 009 __	40 / 55	9	100
46900 011 __	40 / 55	11	100
46900 013 __	40 / 55	13	100



Fall down staple

Brass polished (33), German Silver (43), Stainless steel (55)



Article number	Material	Inner width [mm]	Splint Length [mm]	Box qty
46930 021 55	55	21	26	50
46931 021 __	33 / 43	21	40	50



Fall down staple

German Silver



Article number	Inner width [mm]	Splint Length [mm]	Box qty
46934 021 43	21	38	50



Staple

Brass polished (33) / Brass chrome plated (35), casted



Article number	Material	Inner width [mm]	Hole distance [mm]	Box qty
49565 020 35	35	20	40	20
49565 026 __	33 / 35	26	50	20
49565 030 __	33 / 35	30	55	20

Spyder Closure

Zinc die-casting/Plastic black plated (24), Nickel plated (45)

Article number	Material	Length [mm]	Inner width [mm]	Box qty
67240 016 __	24 / 45	45	16	100
67240 019 __	24 / 45	52	19	100
67240 025 __	24 / 45	62	25	100



XSpyder Closure

Zinc die-casting, old gold plated (00), Black plated (24), Nickel plated (45)

Article number	Material	Length [mm]	Inner width [mm]	Box qty
67241 016 __	00 / 24 / 45	40	16	100
67241 019 __	00 / 24 / 45	48	19	100
67241 025 __	00 / 24 / 45	56	25	100



XSpyder Closure

Zinc die-casting black plated (24), Nickel plated (45)

Article number	Material	Length [mm]	Inner width [mm]	Box qty
67242 016 __	24 / 45	40	16	100
67242 019 __	24 / 45	47	19	100
67242 025 __	24 / 45	56	25	100



Closure

Zinc die-casting, nickel plated

Article number	Length [mm]	Inner width [mm]	Box qty
67210 016 45	45	16	100
67210 019 45	52	19	100
67210 025 45	59	25	100

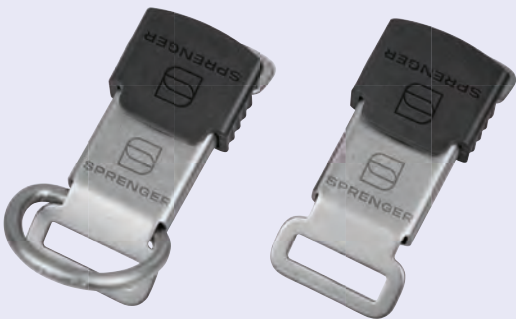




ClicLock Safety closure
Stainless steel, punched



Article number	Length [mm]	Inner width [mm]	Version	Box qty
60150 016 55	65	16	with D-Ring	10
60151 016 55	65	16	without D-Ring	10
60150 020 55	65	21	with D-Ring	10
60151 020 55	65	21	without D-Ring	10
60150 025 55	65	25	with D-Ring	10
60151 025 55	65	25	without D-Ring	10



ClicLock Safety closure
Stainless steel matt, punched



Article number	Length [mm]	Inner width [mm]	Version	Box qty
60150 016 65	65	16	with D-Ring	10
60151 016 65	65	16	without D-Ring	10
60150 020 65	65	21	with D-Ring	10
60151 020 65	65	21	without D-Ring	10
60150 025 65	65	25	with D-Ring	10
60151 025 65	65	25	without D-Ring	10



ClicLock Safety closure
Stainless steel black, punched



Article number	Length [mm]	Inner width [mm]	Version	Box qty
60150 016 57	65	16	with D-Ring	10
60151 016 57	65	16	without D-Ring	10
60150 020 57	65	21	with D-Ring	10
60151 020 57	65	21	without D-Ring	10
60150 025 57	65	25	with D-Ring	10
60151 025 57	65	25	without D-Ring	10



ClicLock Safety closure
Stainless steel black matt, punched



Article number	Length [mm]	Inner width [mm]	Version	Box qty
60150 016 66	65	16	with D-Ring	10
60151 016 66	65	16	without D-Ring	10
60150 020 66	65	21	with D-Ring	10
60151 020 66	65	21	without D-Ring	10
60150 025 66	65	25	with D-Ring	10
60151 025 66	65	25	without D-Ring	10

ClicLock Safety closure
Stainless steel, punched



Article number	Length [mm]	Passage [mm]	Box qty
60155 322 55	65	3,00	50
60155 332 55	65	5,00	50
60155 340 55	65	5,50	50



ClicLock Safety closure with sliding bar
Stainless steel, punched



Article number	Length [mm]	Inner width [mm]	Box qty
60153 020 55	65	21	10



ClicLock „Jacket“
Plastic, anthracite



Article number	Box qty
60152 020 71	10



ClicLock „Jacket“
Plastic, fluorescent



Article number	Box qty
60152 020 73	10





HS Surtingle attachment, clasp
Steel nickel plated



Article number	Inner width [mm]	Box qty
49552 000 01	50	25
23228 (male)		
23227 (female)		



HS Surtingle attachment, slide
Steel nickel plated



Article number	Inner width [mm]	Box qty
49552 001 01	50	25



HS Surtingle attachment, slide (cutted)
Steel nickel plated, suitable for replacement



Article number	Inner width [mm]	Box qty
49553 001 01	50	25



Slide
Zinc die-casting nickel plated

Article number	Material	Length [mm]	Inner width [mm]	Wire-Ø [mm]	Box qty
59147 015 45	45	22	16	2,60	100
59147 020 45	45	25	19	2,60	100
59147 025 45	45	32	25	2,80	100

Terret with threaded plate
Stainless steel, casted



Article number	Inner width [mm]	Thread [mm]	Box qty
43300 045 56	45 x 7	24 x 10	10



Terret for trotters with threaded plate
Stainless steel, casted



Article number	Inner width [mm]	Thread [mm]	Box qty
43802 035 56	35 x 5	24 x 10	10



Ring movable with threaded plate
Stainless steel



Article number	Inner width [mm]	Thread [mm]	Box qty
43380 032 56	29	27 x 10	10



Crupper loop, movable
Stainless steel



Article number	Inner width [mm]	Box qty
43415 030 56	30	20



Buckle with roller
German silver polished, casted



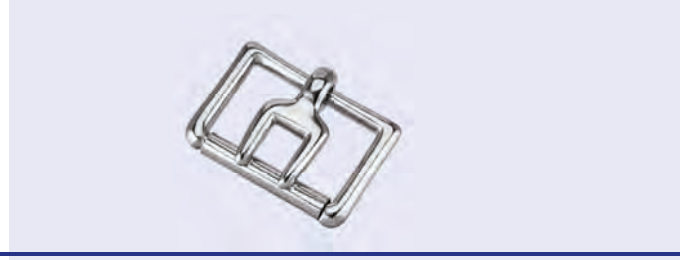
Article number	Inner width [mm]	Box qty
46261 040 43	28 x 40	50



Buckle with fork tongue
German silver polished, casted



Article number	Inner width [mm]	Box qty
43599 045 43	45	50



Buckle for driving harness
Stainless steel



Article number	Inner width [mm]	Inner height [mm]	Box qty
43480 036 56	36	82	10





Ring for breastplate
Stainless steel



Article number	Inner width [mm]	Box qty
43600 036 56	36	20



Trace square
Stainless steel



Article number	Inner width [mm]	Box qty
43605 036 56	36	10



Neck strap ring
Stainless steel



Article number	Inner width [mm]	Inner width [mm]	Box qty
43460 000 56	26 x 8	38	10



Neck strap ring, large
Stainless steel, movable



Article number	Inner width [mm]	Box qty
43464 000 56	50	10



Rein slide
Stainless steel



Article number	Inner width [mm]	Box qty
43841 025 55	25	50



Buckle for blankets
Steel nickel plated, with double bar and fixed tongue, casted

Article number	Inner width [mm]	Box qty
46766 027 01	27	50



Hame clips (by pair)
Stainless steel



Article number	Box qty
43690 000 55	10

Article number	Description	Box qty
43692 000 55	Reverts	100

Araber Show Chain
Stainless steel, narrow links



Article number	Length [cm]	Wire gauge [mm]	Box qty
46034 060 55	60	3	10
46034 065 55	65	3	10
46034 070 55	70	3	10
46034 075 55	75	3	10



Araber Show Chain
Stainless steel, wide links



Article number	Length [cm]	Wire gauge [mm]	Box qty
46035 060 55	60	4	10
46035 065 55	65	4	10
46035 070 55	70	4	10
46035 075 55	75	4	10
46035 080 55	80	4	10



Araber Show Chain
Steel brass plated, narrow links



Article number	Length [cm]	Wire gauge [mm]	Box qty
46034 060 04	60	3	10
46034 065 04	65	3	10
46034 070 04	70	3	10
46034 075 04	75	3	10



Araber Show Chain
Steel brass plated, wide links



Article number	Length [cm]	Wire gauge [mm]	Box qty
46035 060 04	60	4	10
46035 065 04	65	4	10
46035 070 04	70	4	10
46035 075 04	75	4	10
46035 080 04	80	4	10





Lead chain, with swivel and snap hook
Steel zinc plated (06), Steel nickel plated (01)



Article number	Length [cm]	Eye width [mm]	Box qty
46050 045 06	45	27	10
46050 055 06	55	27	10
46050 075 01	75	27	10



Lead chain, with ring and snap hook
Stainless steel



Article number	Length [cm]	Eye width [mm]	Box qty
46053 055 55	55	25	10
46053 075 55	55	25	10



Safety chain, with panic and snap hook
Steel zinc plated



Article number	Length [mm]	Box qty
46052 070 06	70	10



Safety chain, with panic and snap hook
Steel zinc plated, plastic coated



Article number	Length [mm]	Box qty
46055 070 06	70	5
46055 140 06	140	5

Assembly Chain

Steel nickel plated
Custom-made products possible from 100 pieces



Version: 3 Rings

Article number	Length [cm]	O-Rings [mm]	Ø Chain [mm]	Box qty
51333 013 01	13	16 x 3,0	2,00	50
51315 017 01	17	20 x 3,2	2,50	50
51185 021 01	21	25 x 4,0	3,00	50



Assembly Chain

Stainless steel
Custom-made products possible from 100 pieces



Version: 3 Rings

Article number	Length [cm]	O-Rings [mm]	Ø Chain [mm]	Box qty
50808 013 55	13	14 x 2,5	2,00	50
51315 017 55	17	20 x 3,2	2,50	50
51147 021 55	21	25 x 4,0	3,00	50



Assembly Chain

Stainless steel black
Custom-made products possible from 100 pieces



Version: 3 Rings

Article number	Length [cm]	O-Rings [mm]	Ø Chain [mm]	Box qty
50808 013 57	13	14 x 2,5	2,00	50
51315 017 57	17	20 x 3,2	2,50	50
51147 021 57	21	25 x 4,0	3,00	50



Assembly Chain

CUROGAN
Custom-made products possible from 100 pieces



Version: 3 Rings

Article number	Length [cm]	O-Rings [mm]	Ø Chain [mm]	Box qty
51315 017 67	17	20 x 3,2	2,50	50
51147 021 67	21	25 x 4,0	3,00	50





Assembly Chain

Steel nickel plated

Custom-made products possible from 100 pieces



Version: 1 Ring and 2 D-Rings

Article number	Length [cm]	D-Rings [mm]	O-Ring [mm]	Ø Chain [mm]	Box qty
51365 013 01	13	16 x 2,5	16 x 3,0	2,00	50
51312 017 01	17	20 x 3,0	20 x 3,2	2,50	50
51175 021 01	21	25 x 3,4	25 x 4,0	3,00	50



Assembly Chain

Stainless steel

Custom-made products possible from 100 pieces



Version: 1 Ring and 2 D-Rings

Article number	Length [cm]	D-Rings [mm]	O-Ring [mm]	Ø Chain [mm]	Box qty
50819 013 55	13	14 x 2,5	14 x 2,5	2,00	50
51312 017 55	17	20 x 3,2	20 x 3,2	2,50	50
51141 021 55	21	25 x 4,0	25 x 4,0	3,00	50



Assembly Chain

Stainless steel black

Custom-made products possible from 100 pieces



Version: 1 Ring and 2 D-Rings

Article number	Length [cm]	D-Rings [mm]	O-Ring [mm]	Ø Chain [mm]	Box qty
50819 013 57	13	14 x 2,5	14 x 2,5	2,00	50
51312 017 57	17	20 x 3,2	20 x 3,2	2,50	50
51141 021 57	21	25 x 4,0	25 x 4,0	3,00	50



Assembly Chain

CUROGAN

Custom-made products possible from 100 pieces



Version: 1 Ring and 2 D-Rings

Article number	Length [cm]	D-Rings [mm]	O-Ring [mm]	Ø Chain [mm]	Box qty
51312 017 67	17	20 x 3,2	20 x 3,2	2,50	50
51141 021 67	21	25 x 4,0	25 x 4,0	3,00	50

DIAMOND PASTE

METAL POLISH

Give metal surfaces a brilliant mirror finish in seconds.

The SPRENGER DIAMOND PASTE is ideal for the care and high-gloss polishing of all common metal fittings. Its formula with micro-fine diamond particles delivers high material removal while remaining exceptionally gentle, ensuring a long-lasting, brilliant finish. It can be easily applied using a soft cloth, polishing pad, or standard polishing machine.

Dull is a thing of the past!

Applications:

- Removes surface rust & oxidation
- Polishes stainless steel, chrome & brass fittings
- Buffs out fine scratches on metal surfaces
- Ideal for maintaining railings, cleats, bits & collars



Article number	Container size [ml]	Box qty
45256 000 00	100	1 Set á 6 Stück
39000 003 00	500	20

FlexDry Dehumidifier



Article number	Version	Measures [mm]	Box quantity
49000 100 00	Flex Dry „Single“ (125 g – seperated packed)	200 x 165 x 25	20 pieces

How many FlexDry units do I need?

m ²	FlexDry
1	1
5	2
10	3

*Data may vary due to climatic changes.

- Protection against mould, corrosion (rust), mildew stains, misted-up windows or bad odours
- Absorbs up to 200% of its own weight in moisture.
- Non-hazardous granules of calcium chloride and starch. Disposal with household waste.
- Absorbed moisture turns into a gel and is never liquid.





Power hole punch

Special high-strength steel, 70% less power needed



- for punching holes in leather goods
- not suitable for Biothane

Article number	Color	Box qty
45259 002 00	black	10



Hole punch

Stainless steel laquered



- for punching holes in leather goods
- not suitable for Biothane

Article number	Color	Box qty
45259 001 00	blau	10



Punch pipes set

- 6 pieces - sizes (mm): 2.0/2.5/3.0/3.5/4.0/4.5



Article number	Box qty
45259 901 00	1



Tool for punch pipes



Article number	Box qty
45259 902 00	1



Turnbuckle

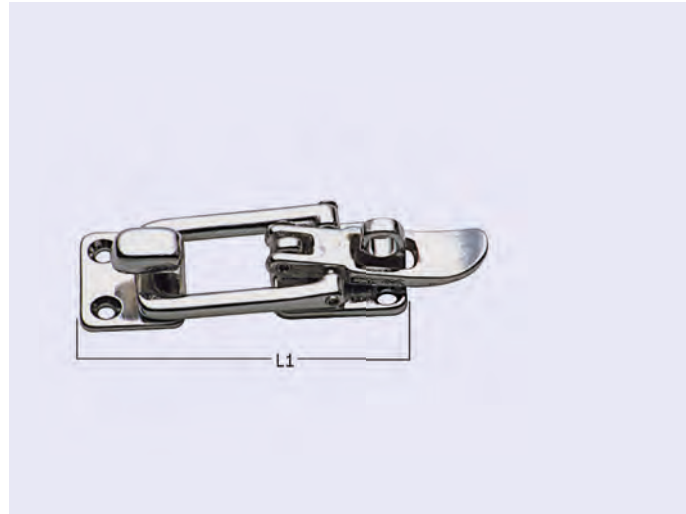
Stainless steel, welded hook and eye



Article number	Dimensions [mm]	Box qty
36400 004 A6	114 x 58	10
36400 005 A6	115 x 70	10
36400 006 A6	116 x 90	10
36400 008 A6	118 x 120	10

Lever fastener for padlock
Brass I. chrome-plated

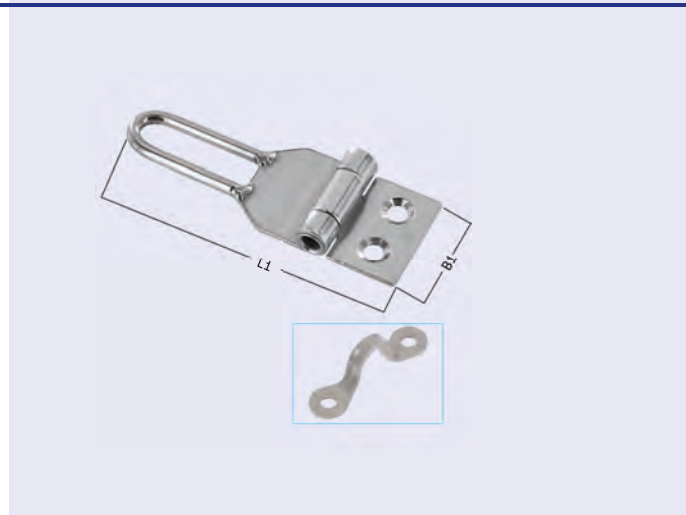
Article number	L1 [mm]	Box qty
33335 000 A2	60	20



Overlap
Stainless steel



Article number	B1 [mm]	L1 [mm]	Box qty
33345 000 55	30	90	10

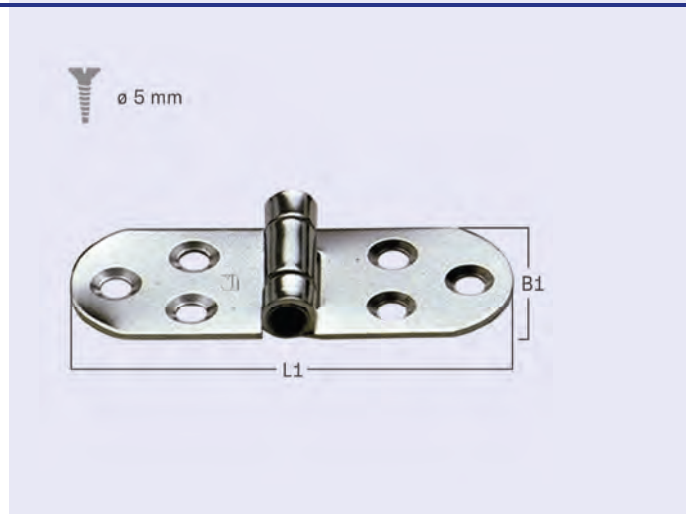


Hinge
Stainless steel



- 6 drill holes for countersunk screw 5mm

Article number	Material thickness [mm]	B1 [mm]	L1 [mm]	Box qty
33510 000 A5	1,5	30	80	50

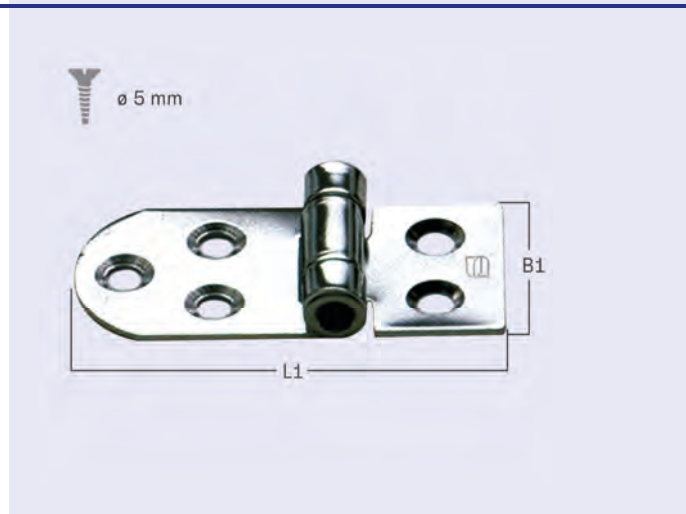


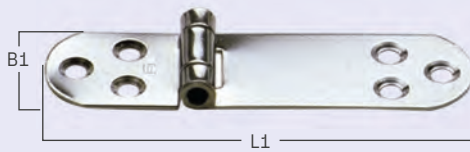
Hinge
Stainless steel



- 5 drill holes for countersunk screw 5mm

Article number	Material thickness [mm]	B1 [mm]	L1 [mm]	Box qty
33510 002 55	1,5	30	65	10

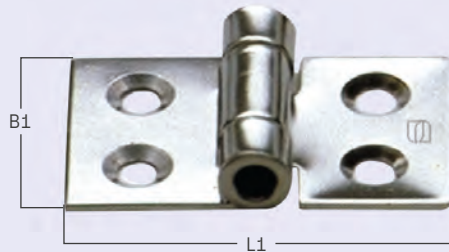




Hinge
Stainless steel

- 6 drill holes for countersunk screw 5mm

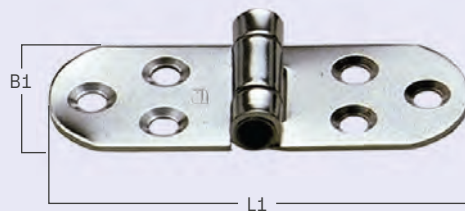
Article number	Material thickness [mm]	B1 [mm]	L1 [mm]	Box qty
33510 003 55	1,5	30	110	10



Hinge
Stainless steel

- 4 drill holes for countersunk screw 5mm

Article number	Material thickness [mm]	B1 [mm]	L1 [mm]	Box qty
33510 001 A5	1,5	30	50	50



Hinge
Stainless steel

- 6 drill holes for countersunk screw 5mm

Article number	Material thickness [mm]	B1 [mm]	L1 [mm]	Box qty
33515 100 A5	2	40	100	20



Hinge
Stainless steel

- 6 drill holes for countersunk screw 5mm

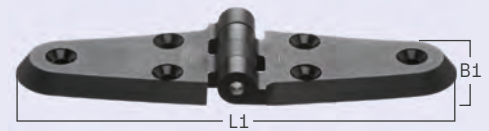
Article number	Material thickness [mm]	B1 [mm]	L1 [mm]	Box qty
33515 150 A5	2	40	150	20
33515 200 A5	2	40	200	10

Hinge made of plastic
Plastic black



- 6 drill holes for countersunk screw 5mm

Article number	B1 [mm]	L1 [mm]	Box qty
33520 001 A3	40	140	50

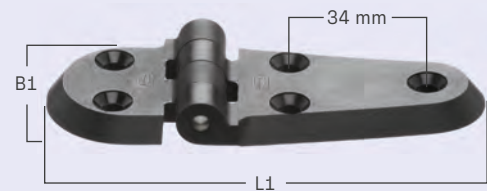


Hinge made of plastic
Plastic black



- 5 drill holes for countersunk screw 5mm

Article number	B1 [mm]	L1 [mm]	Box qty
33520 002 A3	44	110	50

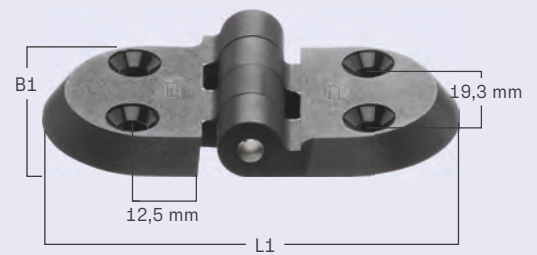


Hinge made of plastic
Plastic black



- 4 drill holes for countersunk screw 5mm

Article number	B1 [mm]	L1 [mm]	Box qty
33520 003 A3	40	75	50

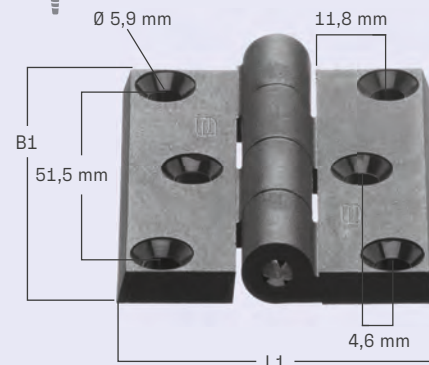


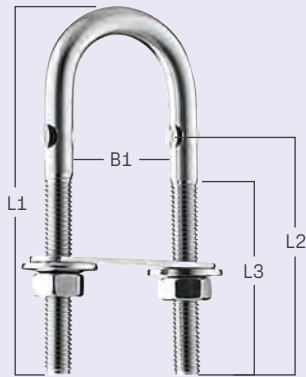
Hinge made of plastic
Plastic black



- 6 drill holes for countersunk screw 5mm

Article number	B1 [mm]	L1 [mm]	Box qty
33521 003 A3	65	50	50





U-bolt
Stainless steel



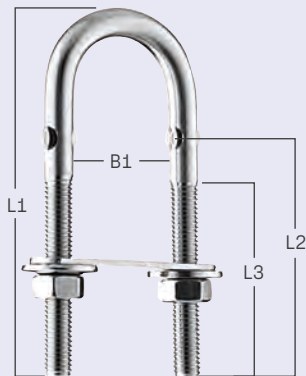
Article number	Thread	Addition	B1 [mm]	L1 [mm]	L2 [mm]	L3 [mm]	Box qty
34231 001 55	M 5	Backing plate 16021	25,5	84	55	45	10
34231 002 55	M 8	Backing plate 16022	30	100	63	25	10
34231 028 55	M 8	Backing plate 16022	31	70	32	21	10
34231 070 55	M 10	Backing plate 16061	41	125	74	60	10



Backing plate
Stainless steel



Article number	Width [mm]	Height [mm]	Box qty
16021	45	15	10
16022	55	15	10
16033	46	15	10
16061	71	20	10

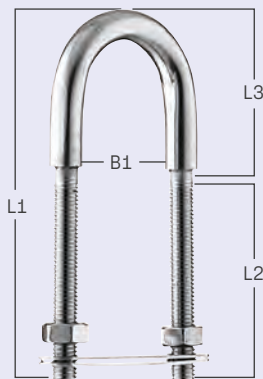


U-bolt
Stainless steel



Thread: M 6
Addition: Washer 16033

Article number	Working load [kg]	Breaking load [kg]	B1 [mm]	L1 [mm]	L2 [mm]	L3 [mm]	Box qty
34234 001 55	600	2.400	25,5	84	55	45	10



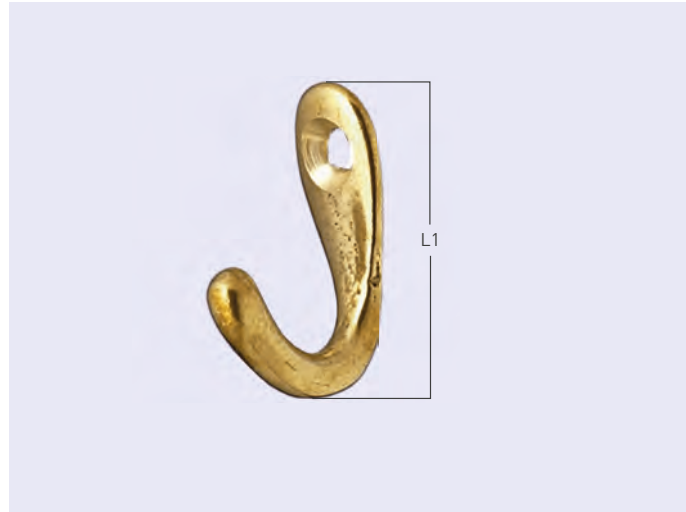
U-bolt
Stainless steel, AISI 316



Article number	Thread	B1 [mm]	L1 [mm]	L2 [mm]	L3 [mm]	Ø [mm]	Box qty
34246 000 A6	M 5	28	80	48	30	7	10
34246 001 A6	M 6	27	90	55	28	8	10
34246 002 A6	M 8	25	80	40	30	10	10
34246 003 A6	M 8	35	100	52	35	10	10
34246 004 A6	M 10	38	115	80	45	12	10

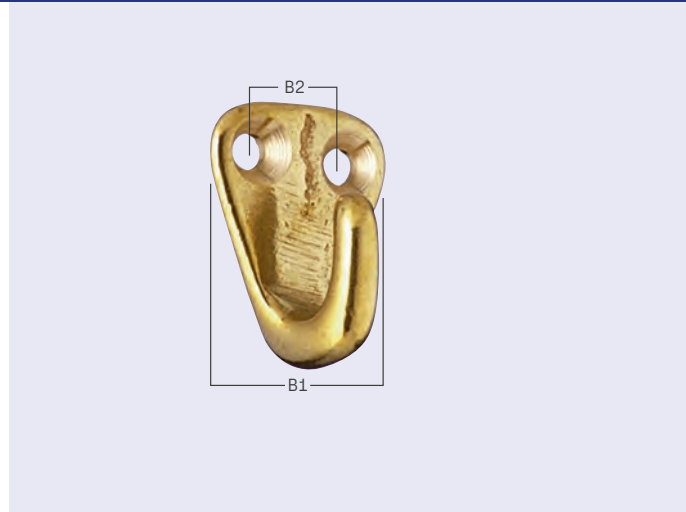
Hook
Brass II. polished

Article number	Drilling for	L1 [mm]	Box qty
33160 000 33	Coutersunk screw 4 mm	38	10



Hook
Brass II. polished

Article number	Drilling for	B1 [mm]	B2 [mm]	Box qty
35920 000 33	Coutersunk screw 4 mm	21	10	10



Double hook
Brass II. polished

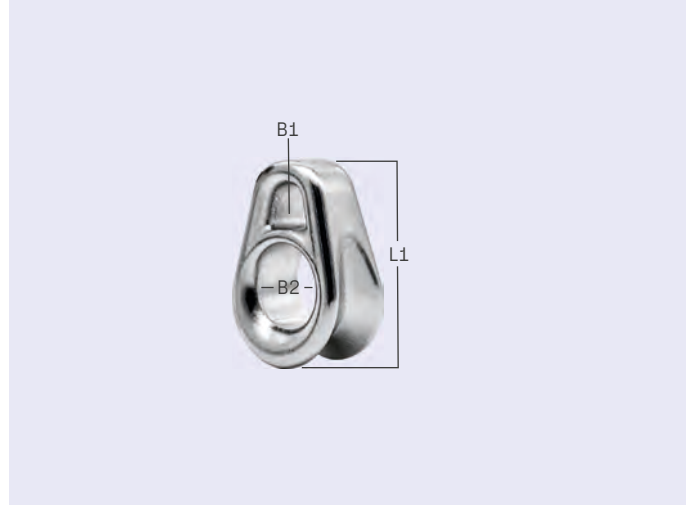
Article number	Drilling for	L1 [mm]	Box qty
33161 000 33	Coutersunk screw 4 mm	34	10



Kite lead
Stainless steel, AISI 316



Article number	B1 [mm]	B2 [mm]	L1 [mm]	Box qty
35421 000 A6	5	8,8	22	50





Backing plate
Stainless steel



Article number	Dimensions [mm]	Box qty
34231 999 A5	45 x 15	100



Simplex wire rope clamp
Stainless steel, AISI 316



Article number	Wire-Ø [mm]	Box qty
30915 002 A6	2	50
30915 003 A6	3	50
30915 004 A6	4	50



Duplex wire rope clamp
Stainless steel, AISI 316



Article number	Wire-Ø [mm]	Box qty
30916 002 A6	2	50
30916 003 A6	3	50
30916 004 A6	4	50
30916 006 A6	6	50



Fender holder
Stainless steel, AISI 316



Article number	Material	Addition	Drilling for	L1 [mm]	Box qty
39441 000 A5	Brass II chrome plated	with 2 drillings	Coutersunk screw 4 mm	45	10
39442 040 A6	Stainless steel	with 2 drillings	Coutersunk screw 4 mm	40	10

Railing foots

Stainless steel, AISI 316



Article number	Length [mm]	Ø Tube [mm]	L1 [mm]	Box qty
32604 020 A6	58	20	58	20
32604 022 A6	58	22	58	20
32604 025 A6	58	25	58	20



Centerpiece

Stainless steel, AISI 316



Article number	Ø Tube [mm]	Box qty
32605 020 A6	20	20
32605 022 A6	22	20
32605 025 A6	25	20



Hingeblock

Stainless steel, AISI 316



Article number	Length [mm]	Width [mm]	Degree	Box qty
32606 000 A6	60	18	10°	20
32624 000 A6	60	18	90°	20



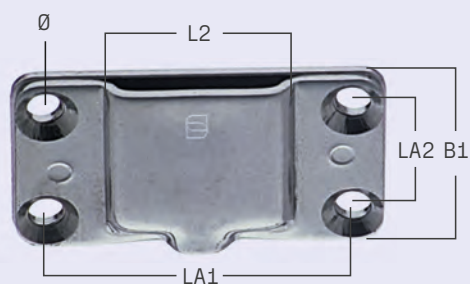
Cheek plate

Stainless steel, AISI 316



Article number	Length [mm]	Width [mm]	Box qty
32608 000 A6	50	23	20





Flanges for tarpaulin steel

Stainless steel

Article number	B1 [mm]	L2 [mm]	LA1 [mm]	LA2 [mm]	Ø [mm]	Box qty
34150 018 55	25	18	26	16	4	10



Feet 60°

Stainless steel, AISI 316



Article number	Ø Tube [mm]	Box qty
33915 022 56	22	10
33915 025 56	55	10



Feet 90°

Stainless steel



Article number	Ø Tube [mm]	Box qty
33916 022 56	22	10



Adjustable end piece

Stainless steel, AISI 316



Article number	Ø Tube [mm]	Box qty
32628 022 56	22	10
32628 025 56	25	10



Joint piece

Stainless steel, AISI 316



Article number	Ø Tube [mm]	Box qty
32630 022 A6	22	20
32630 025 A6	25	20

Eye nuts

Stainless steel, AISI 316



Article number	Material thickness [mm]	Thread	L1 [mm]	Ø [mm]	Box qty
34221 006 A6	6	M 6	28	16	50
34221 008 A6	8	M 8	33	20	10
34221 010 A6	10	M 10	45	25	5
34221 012 A6	12	M 12	51	30	5

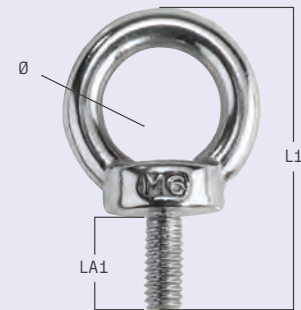


Ring screw

Stainless steel, AISI 316



Article number	Material thickness [mm]	Thread	L1 [mm]	LA1 [mm]	Ø [mm]	Box qty
34223 006 A6	6	M 6	41	13	16	10
34223 008 A6	8	M 8	47	13	20	10
34223 010 A6	10	M 10	60	15	25	10

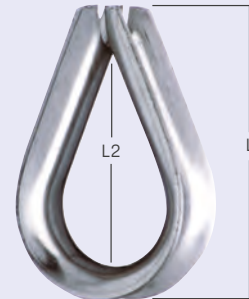


Thimbles

Stainless steel, AISI 316



Article number	max. Wire [mm]	Material thickness [mm]	L1 [mm]	L2 [mm]	Box qty
36530 003 A6	3	4	24	14	20
36530 004 A6	4	5	32	16	20
36530 005 A6	5	6	35	21	20
36530 006 A6	6	7	41	26	20
36530 008 A6	8	9	50	35	20
36530 010 A6	10	11	58	42	20
36530 012 A6	12	14	75	48	20



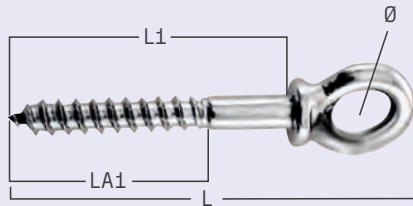
Snap stud

Stainless steel, AISI 316



Article number	Length [mm]	Ø Diameter [mm]	L1	Ø [mm]	Box qty
33735 020 A5	20	6	12	6	20
33735 026 A5	26	6	18	6	20
33735 031 A5	31	6	23	6	20
33735 056 A5	56	6	48	6	20
33735 065 A5	65	6	57	6	20
33736 030 A5	30	8	20	8	20
33736 035 A5	35	8	25	8	20
33736 040 A5	40	8	30	8	20
33736 045 A5	45	8	35	8	20



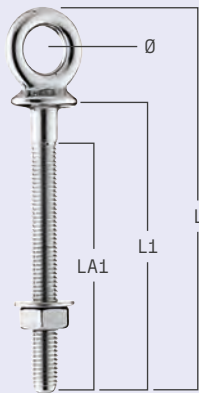


Eye bolts with wood thread

Stainless steel, AISI 316



Article number	Length [mm]	Thread	L1 [mm]	LA1 [mm]	Ø [mm]	Box qty
34247 001 A6	94	6	60	40	14	10
34247 002 A6	101	8	60	40	20	10
34247 003 A6	115	10	80	50	24	10
34247 004 A6	160	12	100	60	30	10

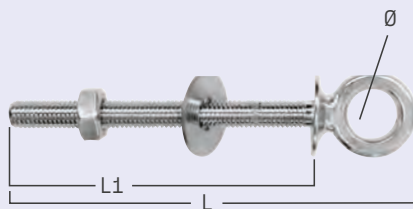


Eye bolts

Stainless steel, AISI 316



Article number	Breaking load [kg]	Length [mm]	Thread	L1 [mm]	LA1 [mm]	Ø [mm]	Box qty
34248 001 A6	1.400	68	M 6	40	34	12	10
34248 002 A6	1.400	88	M 6	60	54	12	10
34248 003 A6	2.500	113	M 8	80	70	13	10
34248 004 A6	2.500	133	M 8	100	90	13	10
34248 005 A6	3.900	139	M 10	100	88	16	10
34248 006 A6	5.600	165	M 12	120	105	18	10



Eye bolts with large support surface

Stainless steel, AISI 316



Article number	Length [mm]	Thread	L1 [mm]	Ø [mm]	Box qty
34249 001 A6	88	M 6	60	12	10
34249 002 A6	112	M 8	80	14	10
34249 003 A6	137	M 10	100	16	10
34249 004 A6	143	M 12	100	18	10



Backing plate for fender cleat

Stainless steel



Article number	Material thickness [mm]	Ø Hole [mm]	Length [mm]	Box qty
37922 010 A5	1,50	5	50	50

Fender cleat
Stainless steel



Article number	Ø Hole [mm]	L1 [mm]	L2 [mm]	LA1 [mm]	Box qty
37921 009 A5	4	39	9	30	50
37921 010 A5	5	46	10	35	50
37921 016 A5	5	55	16	42	50



Fender cleat with Low Friction Ring
Stainless steel



Article number	Ø Low Friction Ring [mm]	L1 [mm]	L2 [mm]	LA1 [mm]	Box qty
37921 109 55	8	39	9	30	10
37921 110 55	10	46	10	35	10
37921 116 55	14	55	16	42	10



Fender cleat
Stainless steel



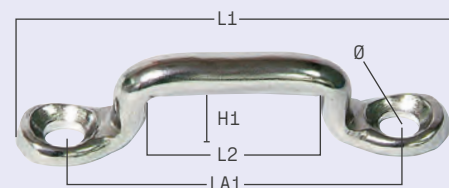
Article number	Material thickness [mm]	Ø Hole [mm]	H1 [mm]	L2 [mm]	LA1 [mm]	Box qty
37929 008 A6	4	3,2	11	10	32	20
37929 010 A6	5	4,2	13	11	40	20
37929 012 56	6	5,2	16	14	44	10
37929 016 56	8	5,2	17	14	47	5



Webbing eye straps
Stainless steel, AISI 304



Article number	Material thickness [mm]	Ø Hole [mm]	H1 [mm]	L1 [mm]	L2 [mm]	LA1 [mm]	Box qty
33012 025 A6	6	5,8	13	62,5	25,5	48,5	20
33012 031 A6	6	5,8	15,5	67	31	53,5	20
33012 041 A6	6	5,8	15,5	82	41	67,5	20





Pad eyes rhombic
Stainless steel, AISI 304

Article number	Material thickness [mm]	Length [mm]	Width [mm]	Height [mm]	H1 [mm]	LA1 [mm]	Ø [mm]	Box qty
34258 001 A6	5	59	37	22	12	11	4,2	10
34258 002 56	6	64	40	26	15	15	4,2	10
34258 003 A6	8	80	50	33	20	18	5,2	10



Pad eyes oval
Stainless steel, AISI 304



Article number	Material thickness [mm]	Length [mm]	Width [mm]	Height [mm]	H1 [mm]	L1 [mm]	LA1 [mm]	Ø [mm]	Box qty
34255 001 56	5	45	15	20	12	35	14	4,2	10
34255 002 56	6	60	20	25	17	46	18	5,2	10
34255 003 A6	8	80	26	32	21	60	20	5,2	10
34255 004 A6	9	100	32	38	26	73	22	6,5	10



Pad eyes round
Stainless steel, AISI 304



Article number	Material thickness [mm]	Width [mm]	Height [mm]	H1 [mm]	L1 [mm]	LA1 [mm]	Ø [mm]	Box qty
34256 001 56	5	33	20	12	20	12	4,2	10
34256 002 56	6	40	26	17	23	17	5,2	10
34256 003 56	8	50	32	21	30	20	5,2	10



Pad eyes rectangular
Stainless steel, AISI 304



Article number	Material thickness [mm]	Length [mm]	Width [mm]	Height [mm]	H1 [mm]	LA1 [mm]	Ø [mm]	Box qty
34257 001 56	5	35	30	19	12	14	4,2	10
34257 002 A6	6	40	35	26	17	18	5,2	10
34257 003 56	8	50	40	33	22	20	5,2	10

Anchor plate with eye nut
Stainless steel



Article number	Material thickness [mm]	Thread	Length [mm]	Width [mm]	Height [mm]	H1 [mm]	LA1 [mm]	Ø [mm]	Box qty
34200 000 A6	6	M10	105	59	52	25	80	4,2	10



WICHARD Pad eyes
Stainless steel



Article number	Working load [kg]	Breaking load [kg]	Length [mm]	Ø Hole [mm]	Wichard [nr]	L1 [mm]	Box qty
34145 006 55	1.440	1.800	45	6,4	6604	27	2
34145 008 55	2.400	3.000	59	8,5	6605	35	2
34145 010 55	4.800	8.000	75	10,5	6606	45	2



Floor ring with return clip
Stainless steel



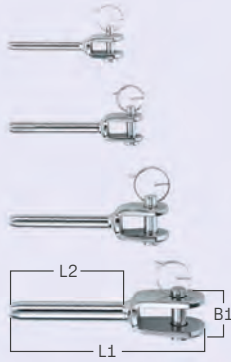
Article number	Length [mm]	Width [mm]	Box qty
34254 038 56	44	38	10
34254 055 56	65	55	10
34254 075 56	57	76	10



Land anchor

Article number	Material	Length [cm]	Wire gauge [mm]	Box qty
39009 000 02	Iron chrome-plated	46	9	12
39009 000 56	Stainless steel	46	9	12





Fork terminal
Stainless steel, AISI 316



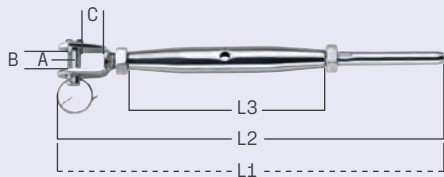
Article number	max. Wire [mm]	Breaking load [kg]	Ø Stud [mm]	B1 [mm]	L1 [mm]	L2 [mm]	Box qty
36472 006 56	3	700	6	3,3	74	32	10
36472 008 56	4	1.100	8	4,3	85	39	10
36472 010 56	5	1.600	9,5	5,2	101	56	10
36472 012 56	6	2.500	12	6,7	123	61	10



T-Terminal
Stainless steel, AISI 316



Article number	max. Wire [mm]	L1 [mm]	Box qty
36474 001 56	3	84	10
36474 002 56	4	100	10
36474 003 56	5	115	10
36474 004 56	6	140	10



Turnbuckle, 1 Fork, 1 Threadterminal
Stainless steel, AISI 316



Article number	max. Wire [mm]	Breaking load [kg]	Material thickness [mm]	Length [mm]	Thread	B1 [mm]	Box qty
36485 000 56	2,5	750	3	145 78	M 5	7	10
36486 000 56	3	1.100	4	160 92	M 6	8	10
36487 000 56	4	2.000	4	195 105	M 8	9,5	10
36488 000 56	5	3.100	5	240 124	M 10	12	5



Toggle
Stainless steel, AISI 316

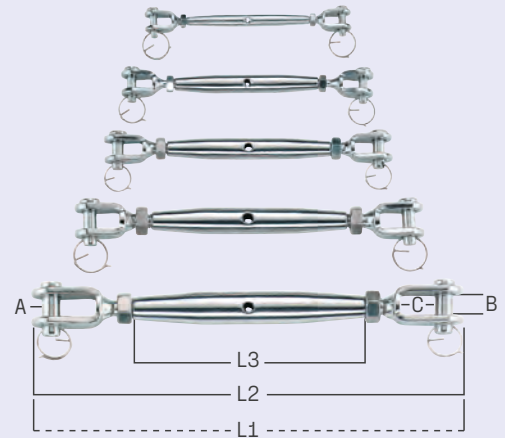


Article number	Breaking load [kg]	Ø Hole [mm]	B1 [mm]	L1 [mm]	Box qty
36466 005 56	1.000	5	5,8	22	10
36466 006 56	1.300	6	6,8	27	10
36466 008 56	1.900	8	8,8	31	10
36466 010 56	3.000	10	12	36	10
36466 012 56	4.000	12	12,8	50	10

Turnbuckle, 2 forks
Stainless steel, AISI 316



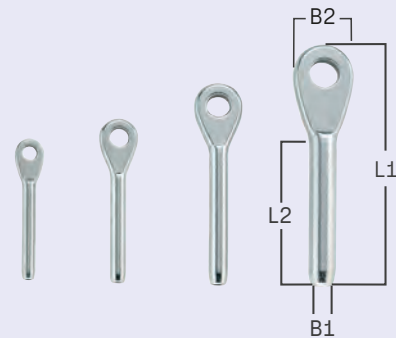
Article number	max. Wire [mm]	Breaking load [kg]	Material Thickness [mm]	Length [mm]	Thread	B1 [mm]	Box qty
36445 000 A6	2,5	750	3	190 130 78	M 5	7	10
36446 000 A6	3	1.100	4	220 150 92	M 6	8	10
36447 000 A6	4	2.000	4	255 180 105	M 8	9,5	10
36448 000 A6	5	3.100	5	300 220 124	M 10	12	10
36449 000 A6	6	4.500	5	385 270 148	M 12	14	10
36450 000 A6	7	6.000	5	425 300 165	M 14	14	10
36451 000 A6	8	8.000	6	475 350 190	M 16	16	10
36452 000 A6	10	10.200	6	540 360 210	M 20	20	10



Eye terminals
Stainless steel, AISI 316



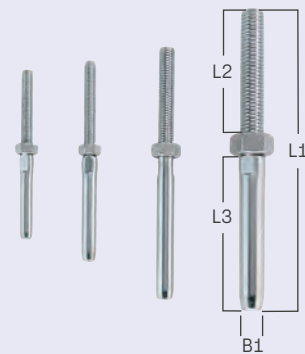
Article number	max. Wire [mm]	Breaking load [kg]	Material thickness [mm]	Ø Hole [mm]	B1 [mm]	B2 [mm]	L1 [mm]	L2 [mm]	Box qty
36470 000 56	2,5	600	4	6	2,8	12,5	51	30	10
36470 001 56	3	700	4	6,5	3,3	13	62	32	10
36470 002 56	4	1.100	6	8,6	4,3	17	74	39	10
36470 003 56	5	1.600	7	10,2	5,2	22	90	56	10



Thread terminal with right-hand thread
Stainless steel, AISI 316



Article number	max. Wire [mm]	Breaking load [kg]	Thread	B1 [mm]	L1 [mm]	L2 [mm]	L3 [mm]	Box qty
36471 000 56	2,5	600	M 5	2,8	72	36	24	10
36471 001 56	3	700	M 6	3,3	80	40	31	10
36471 064 56	4	700	M 6	4,3	95	45	40	10
36471 002 56	4	1.100	M 8	4,3	102	53	40	10
36471 085 56	5	1.100	M 8	5,2	120	53	56	10
36471 003 56	5	1.600	M 10	5,2	130	63	56	10
36471 004 56	6	2.500	M 12	6,7	143	70	61	10





WINCH BIT



Turn your cordless drill into an electric winch handle.

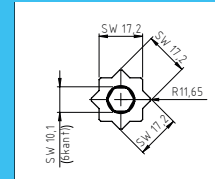
The SPRENGER WINCH BIT is the ideal solution for electrifying all standard winches. Crafted from high-quality stainless steel, it delivers outstanding durability and reliability. It fits comfortably into any powerful cordless drill (60–90 Nm) with a 13 mm chuck, making winch operation faster and effortless.

Manual cranking is a thing of the past!

Applications:

- Hoisting & reefing the mainsail
- Sheeting in & out the headsail
- Lifting the anchor
- Extra support for short-handed crews

Article number	Length [mm]	WS	Box qty
30401 000 55	55	17,2	1



Gloves with Velcro fastening, fingerless
FLEXGRIP, black/white

Article number	Glove size	Box qty
39722 121 00	XS	10
39722 122 00	S	10
39722 123 00	M	10
39722 124 00	L	10
39722 125 00	XL	10
39722 126 00	XXL	10



Gloves with Velcro fastening, fingerless
Calfskin leather, polyamide, blue/white


Article number	Glove size	Box qty
39733 000 00	XXS	10
39733 001 00	XS	10
39733 002 00	S	10
39733 003 00	M	10
39733 004 00	L	10
39733 005 00	XL	10
39733 006 00	XXL	10

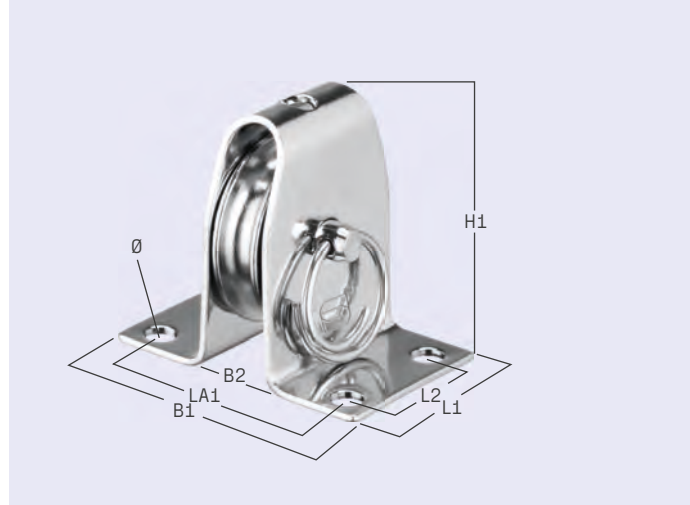


Upright block (removable)
Stainless steel



Amount of sheaves: 1 B1: 38 mm
 Sheave: 25 x 7 mm B2: 8 mm
 Weight: 44 g H1: 34 mm
 Material sheaves: Brass, nickel plated L1: 25 mm
 L2: 17 mm
 LA1: 27 mm
 Ø: 4 mm


Article number	max. Wire [mm Ø]	Working load [kg]	Breaking load [kg]	Bearing	Box qty
35111 000 55	4	250	1.000		10

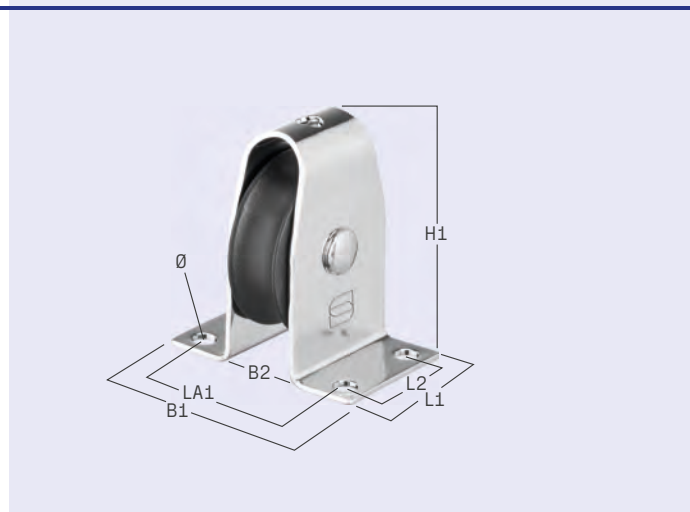


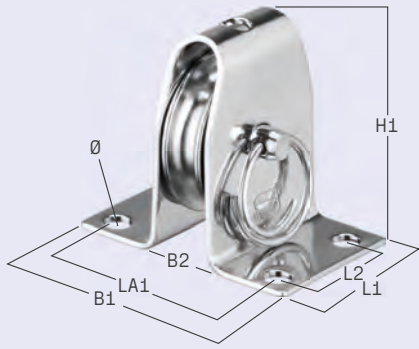
Upright block (riveted)
Stainless steel



Amount of sheaves: 1 B1: 38 mm
 Sheave: 30 x 10 mm B2: 12 mm
 Weight: 36 g H1: 42 mm
 Material sheaves: Plastic L1: 25 mm
 L2: 17 mm
 LA1: 27 mm
 Ø: 4 mm

Article number	Rope [mm Ø]	Working load [kg]	Breaking load [kg]	Bearing	Box qty
35111 002 55	6	300	1.200		10





Upright block (removable)

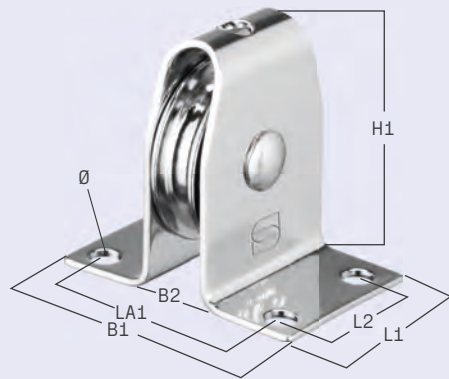
Stainless steel



Amount of sheaves: 1
 Sheave: 30 x 10 mm
 Weight: 61 g
 Material sheaves: Brass, nickel plated

B1: 38 mm
 B2: 12 mm
 H1: 42 mm
 L1: 25 mm
 L2: 16,5 mm
 LA1: 28 mm
 Ø: 4 mm

Article number	max. Wire [mm Ø]	Working load [kg]	Breaking load [kg]	Bearing	Box qty
35111 001 55	6	250	1.000		10



Upright block (riveted)

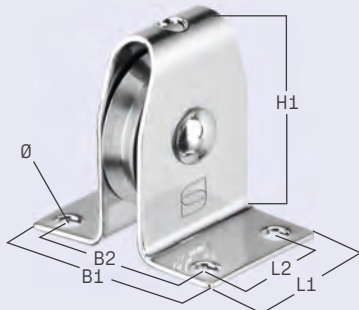
Stainless steel



Amount of sheaves: 1
 Sheave: 25 x 7 mm
 Weight: 43 g
 Material sheaves: Brass, nickel plated

B1: 38 mm
 B2: 12 mm
 H1: 34 mm
 L1: 25 mm
 L2: 16,5 mm
 LA1: 28,8 mm
 Ø: 4 mm

Article number	max. Wire [mm Ø]	Working load [kg]	Breaking load [kg]	Bearing	Box qty
35111 003 55	4	250	1.000		10



High load upright block (riveted)

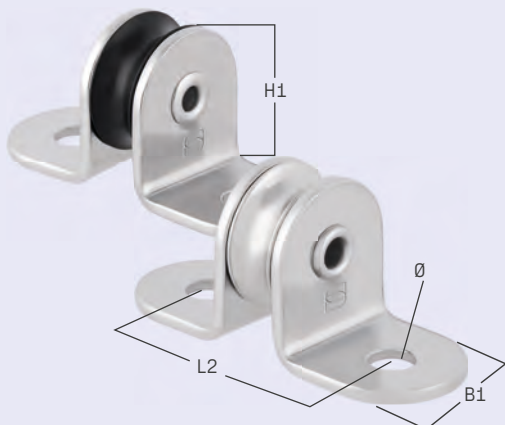
Stainless steel



Amount of sheaves: 1
 Rope: 5 mm Ø
 max. Wire: 3 mm Ø
 Sheave: 25 x 6 mm
 Weight: 38 g
 Material sheaves: Stainless steel

B1: 36 mm
 B2: 27 mm
 H1: 34 mm
 L1: 25 mm
 L2: 13 mm
 Ø: 4 mm

Article number	Working load [kg]	Breaking load [kg]	Bearing	Box qty
35309 650 55	187	750		5



Mini upright block

Stainless steel



Amount of sheaves: 1
 Rope: 6 mm
 Sheave: 16 x 6,3 mm

B1: 16 mm
 H1: 19 mm
 L2: 23,6 mm
 Ø: 5 mm

Article number	Working load [kg]	Breaking load [kg]	Material sheaves	Bearing	Box qty
35111 004 55	100	400	Plastic		10
35111 005 55	100	400	Brass		10

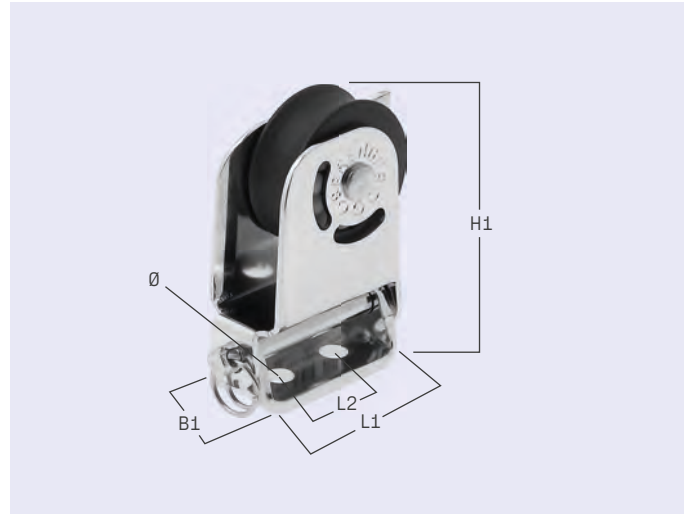
Tiltable block

Stainless steel



Amount of sheaves: 1 **B1:** 15 mm
 Rope: 8 mm Ø **H1:** 50 mm
 Sheave: 27 x 11 mm **L1:** 32 mm
 Weight: 45 g **L2:** 15 mm
 Material sheaves: Plastic **Ø:** 5 mm

Article number	Working load [kg]	Breaking load [kg]	Bearing	Box qty
35148 000 55	75	300		10



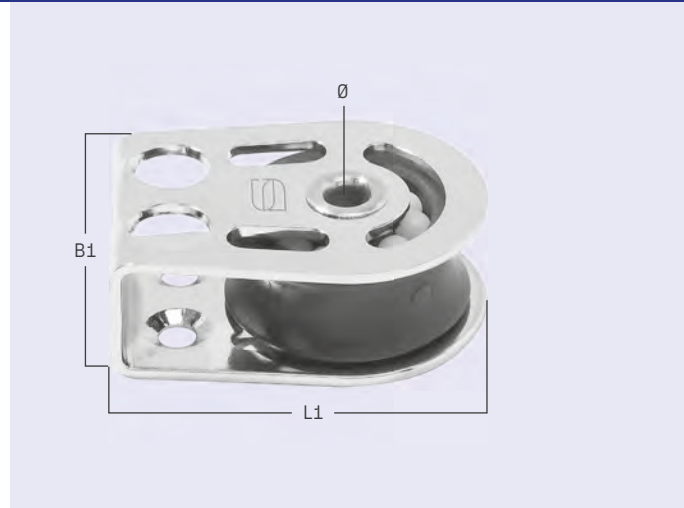
Cheek block ball bearing

Stainless steel



Weight: 29 g **B1:** 30 mm
 Amount of sheaves: 1 **L1:** 41 mm
 Rope: 8 mm **L2:** 12 mm
 Material sheaves: Plastic **Ø:** 5 mm
 Sheave: 27 x 11 mm
 Version: Hollow axles

Article number	Working load [kg]	Breaking load [kg]	Bearing	Box qty
35135 500 55	75	300		10



Cheek block sliding bearing

Stainless steel



Rope: 8 mm Ø **B1:** 30 mm
 Sheave: 27 x 11 mm **L1:** 41 mm
 Weight: 31 g **L2:** 12 mm
 Material sheaves: Plastic **Ø:** 5 mm

Article number	Working load [kg]	Breaking load [kg]	Bearing	Box qty
35135 000 55	75	300		10



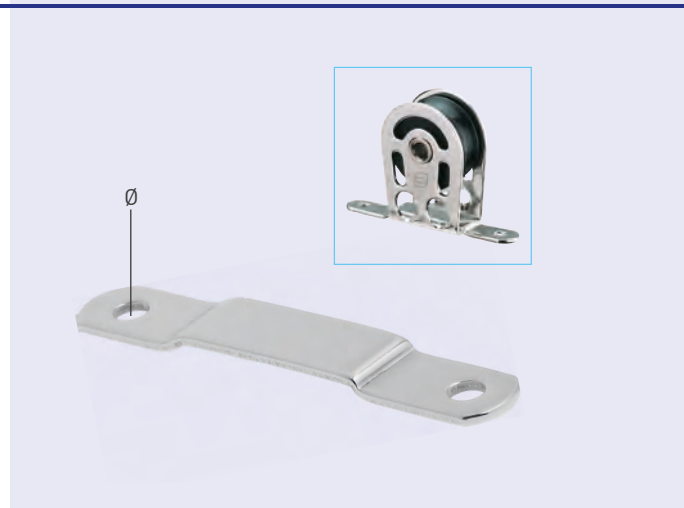
Flap zu 35135

Stainless steel



Weight: 7 g
 Ø Hole: 4 mm

Article number	Working load [kg]	Breaking load [kg]	Box qty
35136 000 55	75	300	10






Super Mini block

Stainless steel



Amount of sheaves: 1 **H1:** 28,5 mm
Rope: 6 mm Ø
Sheave: 16 x 6 mm
Weight: 7 g
Material sheaves: Plastic

Article number	Working load [kg]	Breaking load [kg]	Bearing	Box qty
35225 001 55	112	450		50




Super Mini block

Stainless steel



Amount of sheaves: 1 **H1:** 28,5 mm
Sheave: 16 x 6 mm
Weight: 12 g
Material sheaves: Brass, nickel plated

Article number	max. Wire [mm]	Working load [kg]	Breaking load [kg]	Bearing	Box qty
35225 000 55	4	120	480		50




Super Mini block with bow, double

Stainless steel



Amount of sheaves: 2 **H1:** 28,5 mm
Rope: 6 mm Ø
Sheave: 16 x 6 mm
Weight: 15 g
Material sheaves: Plastic

Article number	Working load [kg]	Breaking load [kg]	Bearing	Box qty
35226 001 55	235	940		10




Super Mini block with bow, double

Stainless steel



Amount of sheaves: 2 **H1:** 28,5 mm
Sheave: 16 x 6 mm
Weight: 26 g
Material sheaves: Brass, nickel plated

Article number	max. Wire [mm]	Working load [kg]	Breaking load [kg]	Bearing	Box qty
35226 000 55	4	235	940		10

Mini block
Stainless steel



Amount of sheaves: 1 H1: 38 mm
 Rope: 10 mm Ø
 Sheave: 20 x 10 mm
 Weight: 18 g
 Material sheaves: Plastic

Article number	Working load [kg]	Breaking load [kg]	Bearing	Box qty
35230 000 55	125	500		50



Mini block
Stainless steel



Amount of sheaves: 1 H1: 55 mm
 Rope: 10 mm Ø
 Sheave: 20 x 10 mm
 Weight: 19 g
 Material sheaves: Plastic
 360° rotatable: Yes

Article number	Working load [kg]	Breaking load [kg]	Length [mm]	Bearing	Box qty
35231 000 55	37	150	55		50



Mini block with u-swivel
Stainless steel



Amount of sheaves: 1 H1: 59 mm
 Rope: 10 mm Ø
 Sheave: 20 x 10 mm
 Weight: 27 g
 Material sheaves: Plastic
 360° rotatable: Yes

Article number	Working load [kg]	Breaking load [kg]	Length [mm]	Bearing	Box qty
35232 000 55	112	450	59		50



Super Mini block with bow, becket
Stainless steel



Amount of sheaves: 1 H1: 53 mm
 Rope: 10 mm
 Sheave: 20 x 10 mm
 Weight: 26 g
 Material sheaves: Plastic

Article number	Working load [kg]	Breaking load [kg]	Bearing	Box qty
35233 000 55	125	500		20





H1

Super Mini block with Wire-swivel, fender cleat
Stainless steel



Amount of sheaves: 1 **H1:** 64 mm
Rope: 10 mm Ø
Sheave: 20 x 10 mm
Weight: 26 g
Material sheaves: Plastic
360° rotatable: Yes

Article number	Working load [kg]	Breaking load [kg]	Bearing	Box qty
35234 001 55	37	150		20



Sliding bearing block for 8 mm Rope
Stainless steel



Article number	Working load [mm]	Breaking load [mm]	Sheave [mm]	Height [mm]	Box qty
35000 000 55	200	800	35 x 10	57	10



H1

Kite block
Plastic



Amount of sheaves: 1
Rope: 4 mm
Sheave: 16 x 5 mm

■ Rivet made of stainless steel

Article number	Working load [kg]	Breaking load [kg]	Material sheaves	Bearing	H1 [mm]	Box qty
35420 000 00	55	220	Brass		30	25
35420 016 A0	47	190	Plastic		30	100



Kite block (set of 2)
Plastic



Amount of sheaves: 1 **H1:** 30 mm
Rope: 4 mm
Sheave: 16 x 5 mm
Material sheaves: Plastic

Article number	Working load [kg]	Breaking load [kg]	Width [mm]	Height [mm]	Bearing	Box qty
35420 916 00	47	190	16	30		10

Block with swivel

Stainless steel



Amount of sheaves: 1
 Rope: 14 mm Ø
 Sheave: 58 x 14 mm
 Weight: 159 g
 Material sheaves: Plastic
 360° rotatable: Yes

B1: 22 mm
 H1: 129 mm

Article number	Working load [kg]	Breaking load [kg]	Bearing	Box qty
35002 003 55	350	1.400		10



Maxi block with swivel

Stainless steel



Amount of sheaves: 1
 Rope: 16 mm Ø
 Sheave: 85 x 17 mm
 Weight: 746 g
 Material sheaves: Plastic
 Type of blocks: Maxi block
 360° rotatable: Yes
 Width: 86 mm
 Height: 218 mm

B1: 25 mm
 H1: 215 mm

Article number	Working load [kg]	Breaking load [kg]	Bearing	Box qty
35001 008 00	1.250	3.000		10



Steering cable block with closed strap

Stainless steel



Amount of sheaves: 1
 Rope: 12 mm Ø
 Sheave: 65 x 12 mm
 Weight: 66 g
 Material sheaves: Plastic
 360° rotatable: Yes

Article number	Ø Hole [mm]	Bearing	Box qty
35190 000 55	5		10



Steering cable block with opened strap

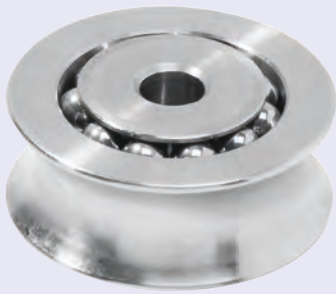
Stainless steel



Amount of sheaves: 1
 Rope: 12 mm Ø
 Sheave: 65 x 12 mm
 Weight: 65 g
 Material sheaves: Plastic
 360° rotatable: Yes


Article number	Ø Hole [mm]	Bearing	Box qty
35191 000 55	5		10





Sheave ball bearing
Stainless steel



Article number	Rope [mm Ø]	Sheave [mm]	Ø Hole [mm]	Bearing	Box qty
30940 008 55	8	27 x 10,5	5		10

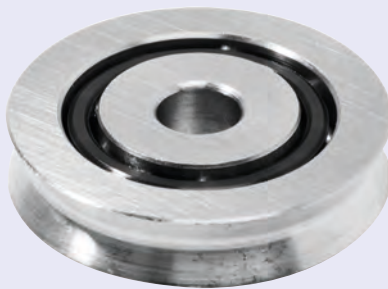


Sheave ball bearing
Stainless steel



■ for High Load Blocks 25mm


Article number	Rope [mm Ø]	max. Wire [mm Ø]	Sheave [mm]	Weight [g]	Ø Hole [mm]	Bearing	Box Qty
30945 000 55	5	3	25 x 6,6	14	6		10

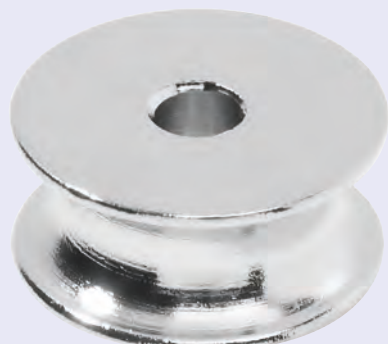


Sheave ball bearing
Stainless steel








■ for High Load Blocks 38mm

Article number	Rope [mm Ø]	max. Wire [mm Ø]	Sheave [mm]	Weight [g]	Ø Hole [mm]	Bearing	Box qty
30946 000 55	6	4	38 x 8	50	8		5





Sheave plain bearing
Brass II, nickel plated



Article number	Rope [mm Ø]	max. Wire [mm Ø]	Sheave [mm]	Ø Hole [mm]	Bearing	Box qty
30950 001 34	4,5	4,5	13 x 6	4,3		10
30950 002 34	6	6	17 x 8	4,3		10
30950 004 34	8	8	20 x 9	4,6		10
30950 005 34	8	8	25 x 10	5,3		10
30950 006 34	8	8	30 x 10	6,2		10

Sheave Hostaform C® ball bearing
Plastic










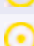


Article number	Rope [mm Ø]	Sheave [mm]	Ø Hole [mm]	Bearing	Box qty
30960 005 00	8	27 x 11	5		10
30960 006 00	8	27 x 11	6		10



Sheave Hostaform C® plain bearing
Plastic





Article number	Rope [mm Ø]	Sheave [mm]	Ø Hole [mm]	Bearing	Box qty
30970 001 63	8	22 x 10,5	5,2		10
30970 002 63	8	22 x 10,5	8,2		10
30970 026 63	10	26 x 11,5	8,2		10
30970 029 63	12	29 x 13,5	8,2		10
30970 030 63	8	30 x 10,8	8,2		10
30970 035 63	10	35 x 11,5	8,2		10
30970 042 63	12	42 x 13,5	8,2		10
30970 046 63	10	46 x 11,5	8,2		10
30970 050 63	12	50 x 13,8	8,2		10
30980 063 63	6	63 x 12	6,1		10



Camlan® Clam cleat plain bearing
Camlan®

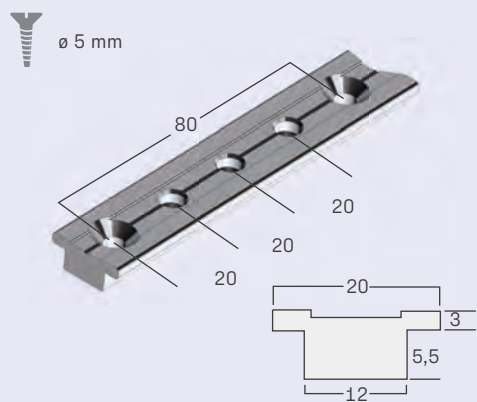


Material groundplate: Polyamid

Article number	Rope [mm]	Weight [g]	Ø Hole [mm]	Bearing	LA1 [mm]	Box qty
36695 008 63	3 - 6	21	4		29	10
36695 013 63	8 - 13	43	5		40	10

 ø 4 mm





T-track 20x3mm

Seawater-resistant Aluminum, anodised, silver



Ø Hole: 5 mm

- Silverspecial lengths are possible up to 3 m on request
- Special shipping from a length of 120 cm

Article number	Length [cm]	Box qty
35455 ___ 54	030 / 040 / 050 / 100 / 150 / 200	4



Genoa car plain Bearing for track

Seawater-resistant Aluminum, anodised, silver



Material sheaves: Plastic

Article number	Length [mm]	Bearing	Box qty
35458 200 54	65		2



Genoa car plain Bearing for track

Seawater-resistant Aluminum, anodised, black



Material sheaves: Plastic

Article number	Length [mm]	Bearing	Box qty
35458 200 53	65		2



End pieces, 1 pair

Plastic, black



Article number	Addition	Ø Hole [mm]	Box qty
35471 020 63	for mounting in front of the track	5	20
35459 020 63	for sliding on	5	20

Genoa car for t-track, bow longitudinal
Stainless steel



Article number	Length [mm]	Box qty
35522 020 55	65	10



Genoa car for t-track, bow across
Stainless steel



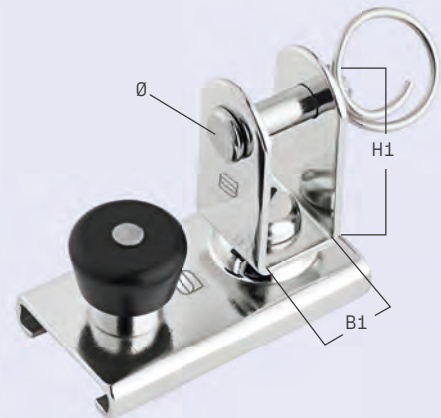
Article number	Working load [kg]	Breaking load [kg]	Length [mm]	Box qty
35531 020 55	125	500	65	10



Genoa car for t-track with swivel
Stainless steel



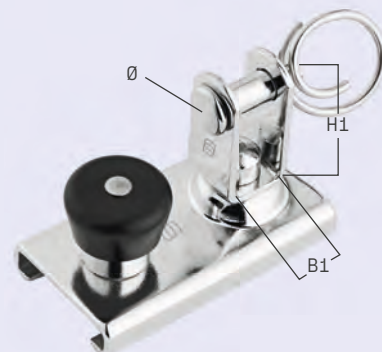
Article number	Length [mm]	B1 [mm]	H1 [mm]	Ø [mm]	Box qty
35558 020 55	65	11	12	5	10

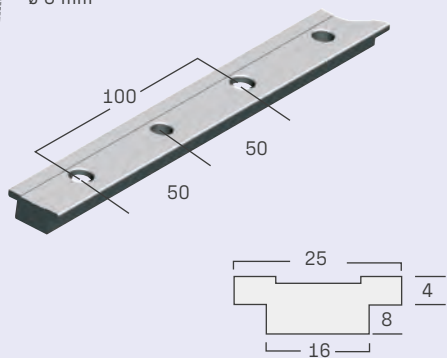


Genoa car with swivel for t-track 20x3mm
Stainless steel



Article number	Length [mm]	B1 [mm]	H1 [mm]	Ø [mm]	Box qty
35560 020 55	45	8	7	5	10





T-track 25x4mm

Seawater-resistant Aluminum, anodised, silver



- Silverspecial lengths are possible up to 3 m on request
- Special shipping from a length of 120 cm

Article number	Length [cm]	Ø Hole [mm]	Box qty
35457 ___ 54	100 / 150 / 200 / 250	5	4



Genoa car plain Bearing for track

Seawater-resistant Aluminum, anodised, silver



Material sheaves: Aluminium

Article number	Length [mm]	Ø Stud [mm]	Bearing	Box qty
35458 250 54	88	8		4



Genoa car plain Bearing for track

Seawater-resistant Aluminum, anodised, black



Material sheaves: Aluminium

Article number	Length [mm]	Ø Stud [mm]	Bearing	Box qty
35458 250 53	88	8		4



Genoa car for t-track, bow longitudinal
Stainless steel



Addition: Diameter bow W: 26 x H: 13 mm

Article number	Length [mm]	Ø Stud [mm]	Box qty
35522 025 55	65	8	10



Genoa car for t-track for KlappCanopies for 25er Track
Stainless steel



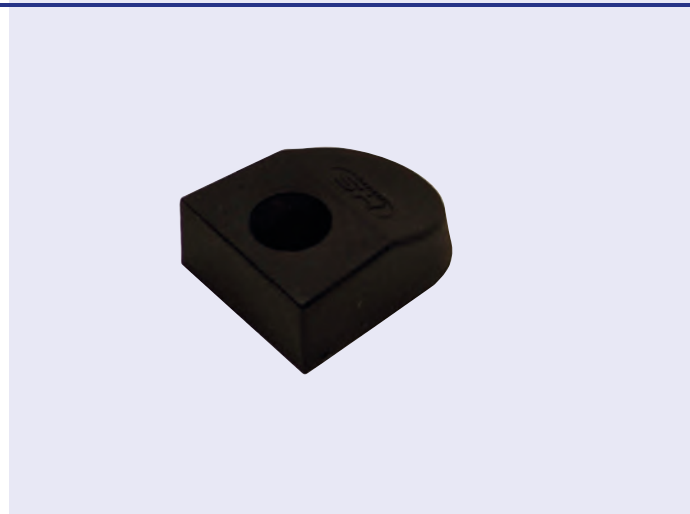
■ M8 nut and lock nut, fork part

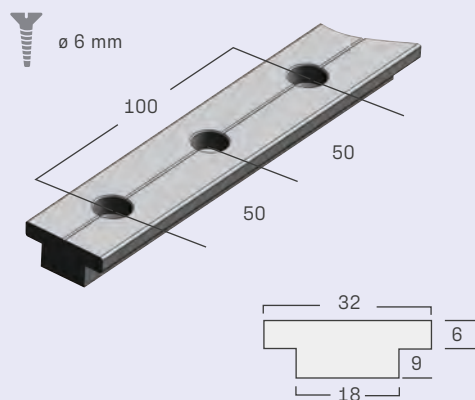
Article number	Length [mm]	Ø Stud [mm]	Box qty
35528 025 55	65	8	10



End piece
Plastic, black

Article number	Addition	Length [mm]	Width [mm]	Ø Hole [mm]	Box qty
35459 025 63	mounting in front of the track	25	4	5	20





T-track 32x6mm

Seawater-resistant Aluminum, anodised, silver

- Silverspecial lengths are possible up to 6 m on request
- Special shipping from a length of 120 cm

Article number	Length [cm]	Ø Hole [mm]	Box qty
35452 ___ 54	100 / 150 / 200	6	4




Genoa car plain Bearing for track

Aluminium, eloxiert, silver

Sheave: 55 x 39 mm

Material sheaves: Aluminium



Article number	Length [mm]	Ø Stud [mm]	Bearing	Box qty
35458 320 54	110	10		4




Genoa car plain Bearing for track

Aluminium, eloxiert, black

Sheave: 55 x 39 mm

Material sheaves: Aluminium



Article number	Length [mm]	Ø Stud [mm]	Bearing	Box qty
35458 320 53	110	10		4



End pieces, 1 pair

Plastic, black

Ø Hole: 5 mm



Article number	Addition	Length [mm]	Width [mm]	Ø Hole [mm]	Box qty
35459 032 63	mounting in front of the track	32	6	5	20

Rubber rope white

Gummi, white

- on coil with identification thread

Article number	Material thickness [mm]	Coil [m]	Box qty
39780 003 00	3	100	2
39780 004 00	4	100	2
39780 005 00	5	100	2
39780 006 00	6	75	2
39780 008 00	8	75	2



Rubber rope black

Gummi, black

- on coil with identification thread

Article number	Material thickness [mm]	Coil [m]	Box qty
39788 003 00	3	100	5
39788 004 00	4	100	5
39788 005 00	5	100	5
39788 006 00	6	75	2
39788 008 00	8	75	2



Nylon Hook for rubber rope

Nylon, white

Article number	Rope [mm]	Length [mm]	Box qty
39784 040 00	4 - 5	40	5



Nylon Hook for rubber rope

Nylon, white

Article number	Rope [mm]	Length [mm]	Box qty
39785 050 00	8	50	5



Quickclip for rubber rope, stepless adjustable

Nylon, black

Article number	Rope [mm]	Length [mm]	Box qty
39786 040 00	5 - 6	40	5





Clam cleat
Stainless steel, AISI 316



Article number	Rope Ø [mm]	B1 [mm]	L1 [mm]	LA1 [mm]	Box qty
36660 001 56	3 - 6	15	55	45	10
36660 002 56	3 - 6	17	70	57	10
36660 003 56	3 - 6	18	82	66	10



Clam cleat
Stainless steel, AISI 316



Article number	Rope Ø [mm]	B1 [mm]	L1 [mm]	Box qty
36661 000 56	3 - 6	17	54	10



Clam cleat
Stainless steel, AISI 316



Article number	Rope Ø [mm]	B1 [mm]	L1 [mm]	LA1 [mm]	Box qty
36662 000 56	3 - 6	14	48	41,3	10



Guide roller clamp
Aluminium

Article number	Modell	Rope Ø [mm]	Dim. LxWxH [mm]	Hole spacing [mm]	Box qty
36656 000 A4	CL236	3-6	82 x 18 x 25	66	50



Line tensioner
Aluminium

Article number	Modell	Rope Ø [mm]	Dim. LxWxH [mm]	Box qty
36656 260 A0	CL260	2-5	31 x 10 x 18	100



Open cleat up to 6mm Rope
Aluminium

Article number	Modell	Rope Ø [mm]	Dim. LxWxH [mm]	Box qty
36656 204 A0	CL204	3-6	52 x 17 x 21	100



Q-LOK CLEAT
Aluminium

Article number	Modell	Rope Ø [mm]	Dim. LxWxH [mm]	Box qty
36656 223 A0	CL223	3-6	52 x 16 x 39	50



Cleat for 4-8mm rope
Aluminium

Article number	Modell	Rope Ø [mm]	Dim. LxWxH [mm]	Box qty
36656 254 A4	CL254	4-8	71 x 18 x 27	50

Auto-Release-Cleat

Aluminium

Article number	Modell	Rope Ø [mm]	Dim. LxWxH [mm]	Hole spacing [mm]	Box qty
36656 257 A0	CL257	4-6	68 x 22 x 28	36	50



Cleat with Lead bis 6mm rope

Aluminium

Article number	Modell	Rope Ø [mm]	Dim. LxWxH [mm]	Hole spacing [mm]	Box qty
36656 203 A0	CL203	3-6	82 x 18 x 23	66	100



Cleat with Lead bis 6mm rope

Aluminium

Article number	Modell	Rope Ø [mm]	Dim. LxWxH [mm]	Hole spacing [mm]	Box qty
36656 263 A0	CL263 black	1-4	44 x 13 x 16	24	100



Cleat with Lead bis 6mm rope

Aluminium

Article number	Modell	Rope Ø [mm]	Dim. LxWxH [mm]	Hole spacing [mm]	Box qty
36656 963 A0	CL263W white	1-4	44 x 13 x 16	24	100



Cleat with Lead bis 6mm rope

Aluminium

Article number	Modell	Rope Ø [mm]	Dim. LxWxH [mm]	Hole spacing [mm]	Box qty
36656 702 A4	CL702 AN/R	3-6	82 x 18 x 25	66	50



Cleat with Lead bis 6mm rope

Aluminium

Article number	Modell	Rope Ø [mm]	Dim. LxWxH [mm]	Box qty
36656 704 A4	CL704MK1	3-6	82 x 18 x 24	50



Word index

Designation	Page	Designation	Page	Designation	Page
Adjustable end piece	54	Fender cleat	57	Rein slide	40
Anchor Plates	59	Fender holder	52	Ring with threaded plate	39
Arabian Show Chains	41	Flag Swivel	8	Rings & Loops	6, 7, 12
Assembly Chains	43-44	Flanges for tarpaulin steel	54	Rings for breast plate	40
Backing Plate for Fender Cleat	56	Flat Shackle	33	Rope Clutch	71
Backing Plates	50, 52	Flexdry Dehumidifier	45	Rubber ropes & hooks	77
Ball Bearings	71	Floor Ring with Return clip	59	Safety Chains	42
Blanket fastenings	38, 40	Fork Terminal	60	Scissor Snap Hook	24, 27
Blocks	63-71	Genoa Car	72, 74, 76	Shackles	29-33
Bow Hook	27	Genoa Car for T-Track	73, 75	Sheave	70
Bow Shackles	31-33	Girth Buckle	18	Simplex Wire Rope Clamp	52
Breastplate Ring	39	Gloves	62	Sliders	38
Bridle Buckle	14, 17	Gullet plate	34	Snap Hooks	19-26
Bridle Fittings	13	Halter Ring	13	Snap stud	55
Bridle Hook	13, 23	Hame clips	40	Spur Strap Buckle	17
Bridle Snap Hook	23	Harness Buckle	15	Spyder Closure	35
Buckle for blankets	40	Harness Fittings	39-40	Staple	34
Buckle for driving harness	39	Hinges	47-49, 53	Steering Cable Block	69
Buckle with fork tongue	39	Hooks	51	Stirrup bars	34
Buckle with roller	39	Hunting-quick-release-snap	23	Stirrup Leather Buckle	18
Buckles	14-18, 40	Joint piece	54	Strike Fittings	55-59
Buoy Swivel	8	Key Ring	12	Swivel	8-11
Centerpiece	53	Kite Accessories	51, 68	Terrets	39
Cheek bars	13	Land Anchor	59	Thimbles	55
Cheek Block and Flap	65	Lever fastener	47	Thread Terminals	61
Cheek plate	53	Loop	7	Toggle	60
Clam	78, 79	Lunging Accessories	11, 22	Trace square	40
ClicLock Safety Closures	36-37	Neck strap ring	40	Tracks & Slides	72-76
Closures	35	Noseband Ring	13	T-Terminal	60
Crupper loop	39	Overlap	47	T-Track & Accessories	72-76
Diamond Paste	45	Pad Eye Strap	34	Turnbuckle	46
D-Rings	4-5	Pad Eyes	58-59	Turnbuckles & Terminals	60-61
Duplex Wire Rope Clamp	52	Panic Hook	23	U-Bolt	50
Eye Bolts	56	Patent Closures	28-29	Upright Block	63-64
Eye Nuts	55	Pelican Hook	27	Webbing eye straps	57
Eye Terminals	61	Plain Bearing	71	Winch Bit	62
Fall down staples	34	Punch Pliers & Accessories	46	Wither Gauge	34
Feets	54	Railing foots	53	Xpyder Closure	35
		Rein Chain	42		

Discover our download areas!

Here you will find catalogues, brochures, and flyers:



EQUESTRIAN



DOGSPORTS



BOATSPORTS



HERM. SPRENGER
METALLWARENFABRIK GMBH & CO. KG
Alexanderstr. 10-21 | info@sprenger.de
58644 Iserlohn | www.sprenger.de
Germany | +49 2371 9559 0



**OUR TERMS
AND CONDITIONS**

 **HERM. SPRENGER METALLWARENFABRIK**