



MANUFACTURERS OF  
TANNERY FELTS AND  
NONWOVEN FABRICS:

- POLISHING WOOL DISC
- GROOVED ROLLERS
- EMBOSSING & PLATING  
FELT PADS
- BUFFING WHEELS
- RUB FASTNESS PADS
- OTHER CUT COMPONENTS
- TEFLON & TECHLON SHEETS
- FELT & NONWOVEN FABRICS  
FOR SHOES, BAGS &  
LEATHER GOODS
- AIR FILTER MEDIA

OUR OTHER PRODUCTS:



**CONTACT US:**

**Sales & HeadOffice:**

470A SIDCO Industrial Estate  
Ambattur, Chennai 600098

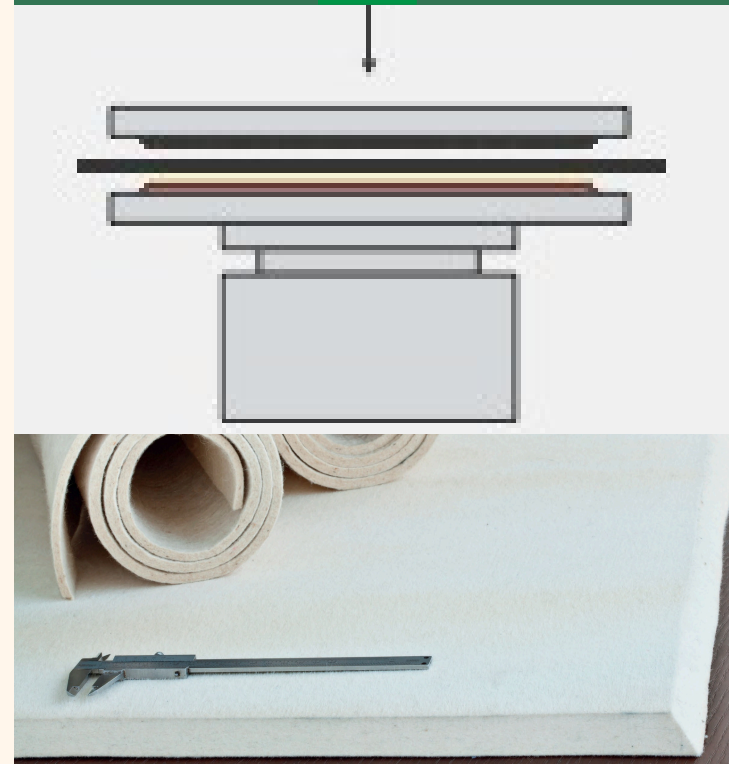
**Factory:**

G-28 SIDCO Industrial Estate  
Kakkalur, Thiruvallur - 602 003  
+91-44-4950 8814 / 8248 727170  
sales@southernfelt.in  
www.southernfelt.in

EMBOSSING  
AND  
PLATING  
FELT PADS

SOUTHERN  
FELT & GEOTEX

CHENNAI | BENGALURU



## About Us

A specialized felt production unit - SFG is an leading Indian manufacturer of Wool Felt, Synthetic Felt, Geotextiles and Air Filter Media that produces nonwovens and custom cut parts in India & Overseas. We have a large facility in Tamilnadu with several high speed felt manufacturing machines from the fibre stage and also the presses, laminating machines, rewinders, slitters and several other specialized converting machines.

SFG promoters have been market leaders since 1980 and pioneers of many innovations in the field of industrial nonwovens.

We serve over a 100 industries and have a loyal base of over 800 customers. Known for ability to customise to the requirement of our customers without compromising on quality, we rank as one of the most prominent enterprises engaged in the production of a variety of felt rolls, sheets, cut components, wheels and buffing mounts. On the continuous path of progress, quality management systems as per international standards like ASTM, SAE, DIN & BSI applies to our products as well as processes.

## Embossing & Plating Felt Pads

Once the skin is put on the felt, a hot ironing plate comes down to press against the skin in order to give the final embossing.

This process is repeated several times till the full skin is grained or ironed.

This machine is called the Embossing machine, Hydraulic Press or Plating machine.

**SFG felt pads are made in 100% wool, with 45 degree bevelled edges.**

### GRADES AVAILABLE: (100% Wool)

**F70** - Extra Strong Embossing - 0.70 g/cm<sup>3</sup>

**F100** - Strong Embossing - 0.6 g/cm<sup>3</sup>

**F150** - Mid Embossing - 0.5 g/cm<sup>3</sup>

**F200** - Soft Embossing - 0.35 g/cm<sup>3</sup>

### SIZES AVAILABLE:

**Regular:** 660 mm x 1370 mm

**Large:** 1000 mm x 1370 mm

**Extra Large:** 1000 mm x 1500 mm

100% Plain Flat Teflon Plastic sheets are available with a temperature resistance of upto 300 degrees celcius.

Techlon sheets are also offered which have a temperature resistance of upto 180 degrees celcius.

