

ZHUJI CITY HONGHAI PLASTIC PIPE CO., LTD.



Address: CiwuTown, Zhuji City, Zhejiang Province, China PC:311815

Tel: 0086-575-87616818

Fax: 0086-575-87616898

E-mail: info@hhsjgy.com

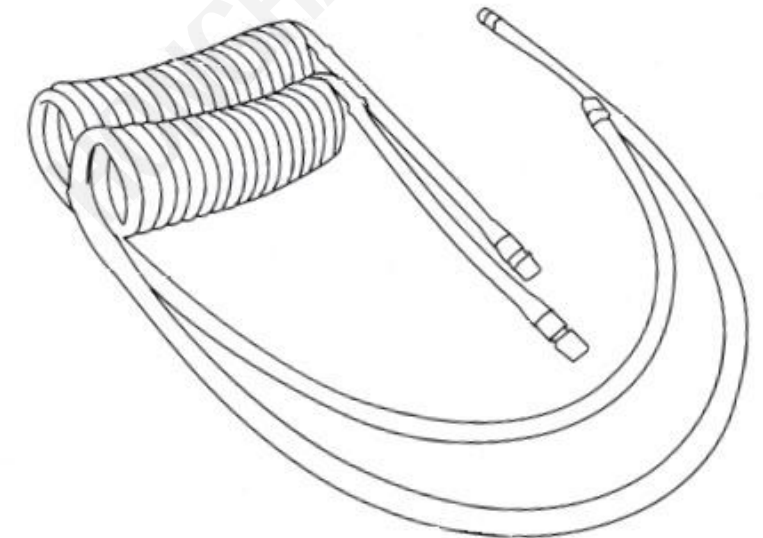
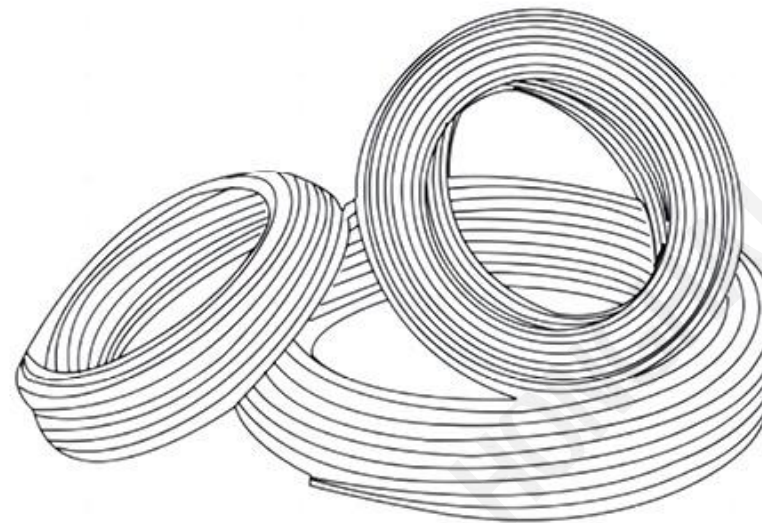
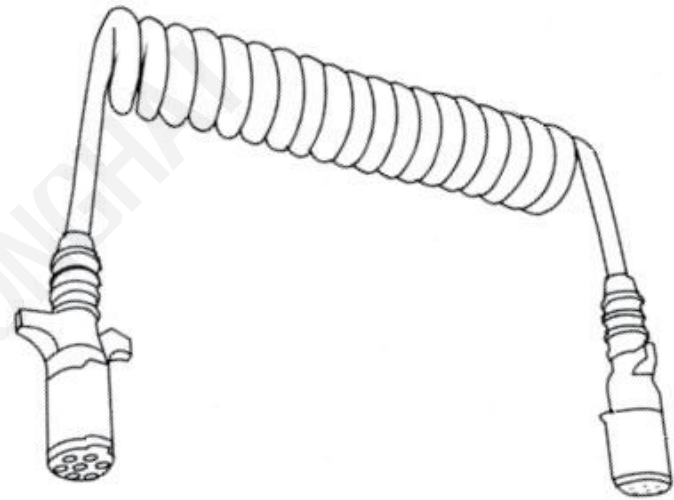
Web: www.hhsjgy.com

NYLON TUBE/ PU TUBE/NYLON SPIRAL AIR HOSE

PU SPRING HOSE/ELECTRIC CABLES

PLUGS/ BRASS FITTING/IRON FITTING

PLASTIC FITTING



www.hhsjgy.com

ZHUJI CITY HONGHAI PLASTIC PIPE CO., LTD.





企业简介

诸暨市鸿海塑胶管业有限公司成立于2003年,是一家专业生产汽车底盘汽路接头、尼龙管、PU管、尼龙螺旋管、PU弹簧管、铜铁接头、刹车管及总成等系列产品的专业化企业。

公司位于全国最大的汽配生产基地之 -- 浙江诸暨,东接绍兴,北部杭州,距离萧山国际机场仅30分钟的路程,杭金衢高速贯穿而过,公司地址位于次坞高速路口,交通十分便利,环境优美。

公司资金雄厚,厂区占地面积60000余平方,拥有先进的机械加工设备,完善的检测手段和专业的研发队伍,是一家集设计、生产、销售为一体的大型民营企业。公司历来被多家配套企业评为优秀供应商,质量放心单位等等,产品深受欢迎。

另外,公司大力开发海外市场,现已布集美洲、欧洲、东南亚、中东、等国家,且反映良好并建立了长期合作的关系企业秉承“质量打品牌,信誉拓市场”的宗旨,走集团化经营,规范化管理的路子,愿以一流的产品和更加完善的服务取信客户,广交天下朋友,与国际潮流同步。

ABOUT US

Zhuzhi City Honghai Plastic Pipe Co.,Ltd. was founded in 2003, specialized in producing all kinds of Nylon Pipe, PU Pipe, PA & PU Spring Hose, Rubber Hose, Brass and Iron Fittings.

Our company locates in the south of Hangzhou city, the transportation is rather convenient, just 30 minutes to Hangzhou Xiao Shan international airport, only 2 hours to Shanghai city and Ningbo city. Our factory is also near the CIWU exit of G60 express way.

Our company is a large-scale private enterprise which is engaged in designing, producing and marketing. It covers an area of 60,000 square meters of workshop. We have the advanced equipments, well-organized R & D team and skilled workers. The product is very popular in China and abroad for the high quality and competitive price.

The nylon tube meets the DIN 74324 and DIN 73378 standards, Our company also got the certificate of ISO/TS16949/CCC/TUV/DIN/DOT.

On the base of win-win cooperation, we have established wide range cooperation with many countries and areas of the world, such as Europe, Middle East, South-east Asia, and America and so on.

"Quality and Credit First" is our business principle. We are warmly welcome the customers from all of the world to cooperate with us and to create a much brighter future.

CORPORATE HONORS

企业荣誉



团队创造荣誉，
鼓励为事业而献身的精神。

Team create honor,
we encourage the spirit of sacrificing for the cause.



通过 20 年的行业积累，以及我们对产品质量的卓越、创新、稳定的追求。目前，我们严格按照 ITS16949、ISO9001 的技术规范进行设计、开发和生产。我们生产的产品已通过 DOT, AMECA, NQA, CQC 认证。

Through 20 years of industry accumulation, and our pursuit of excellence in product quality, innovation, and stability. At present, we strictly follow the technical specification of ITS16949, ISO9001 in design, development and production. The products we produce have been certified by DOT, AMECA, NQA, CQC.



核心·凝聚力量

我们是一支意志坚定、追求卓越的团队，面对机遇和挑战，我们从容应对，从未止歇对变革和创新的探索；我们是一支经验丰富、专业高效的团队，怀着超越自我的渴望，踏踏实实的投入责任和义务，为客户提供最好的服务；我们是一支积极谋求合作、共享商机的团队，无论是强强联合，还是优势互补，我们相信合作诞生财富，沟通融化冰河。团队是公司力量的源泉。尽管团队中的每个成员分工不同，但团结勤勉、积极严谨、高效务实已根植于所有员工的思想深处。

We have a strong-minded team, chasing after the excellence, facing with opportunities and challenges. We take it easy, and never stop exploring for reform and innovation. As an experienced, professional and effective team, we cherish the thirst to exceed ourselves, devote to responsibilities and duties, and provide the best service for all customers. We believe that cooperation creates fortune, and communication melts ice. Team is the source of company strength. Every member plays a different part in the team, but all staff are united and diligent, active and strict, effective and practical.





ADVANCED EQUIPMENT

设备检测

市场的竞争很大程度上取决于设备的竞争，我们深知科技的重要性，为此我们不仅注重新材料，新工艺，新技术的引进和推广应用，更加注重设备的引进。每年我们都投入了大量的资金用于设备的更新，利用先进的设备提高效率，降低成本，提高市场竞争力。最大程度让客户成为价格真正的决策者。

We recognize the importance of science and technology with the arrival of the era of economy, all in all, the market competition depends on the equipments. Therefore, we not only pay attention to the introduction, popularization and application of new materials, new process and new technology, but introduce advanced foreign equipments as well. We invest a lot on equipment update, to improve efficiency, reduce the cost and improve the market competition. To a large extent, we let the customers become real decision makers.





展会 / GLOBAL EXHIBITION

These show we go every year see you there

- automechanika Shanghai
- automechanika Dubai
- automechanika Istanbul
- automechanika Frankfurt
- automechanika Mexico City
- EXPOPARTES Bogota
- MIMS Moscow
- AAPEX Las Vegas
- Mid America Trucking Show Louisville
- ETL Guadalajara
- ...



尼龙管 / PU管

NYLON TUBE / PU TUBE

尼龙管产品 / NYLON HOSE

产品概述

尼龙管广泛应用于：轻型卡车、轿车的液压制动管、动力转向管、叉车、装载机、挖掘机、启重机、船舶、工程机械的液压输送和控制系统管路、油漆、液态树脂的高压喷涂管、空调等，具有良好的耐磨损，表面光滑。

Product overview

Nylon pipe is widely used in air brake system of truck, hydraulic brake system of car, power steering transmission system and control system for forklift, loader, excavator, crane and ship. Also used in painting pipe, high-pressure liquid resin spraying pipe and air conditioning system, it has good friction resistance and smooth surface.

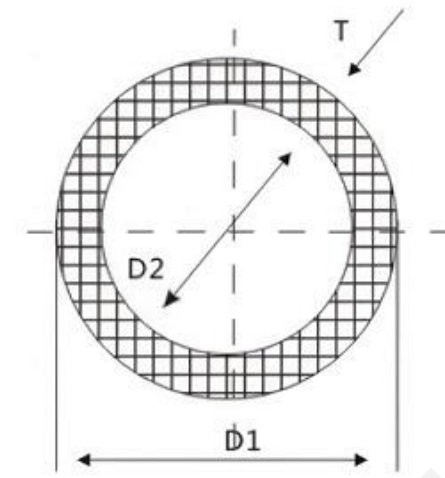
产品特点

- 一、耐磨损，表面光滑，阻力小，能防止生锈和结垢。
- 二、柔软，易弯曲，便于安装，加工简单。
- 三、可以弯曲定型到各种形状。
- 四、能耐很多化学特质的腐蚀，尺寸稳定、渗透率小、电阻极大，使用寿命十年以上。
- 五、耐高温性好，可在 40° C 至 120° C 的环境下工作，可以输送压缩空气。水、燃料油、化学溶剂、液态等。

Product features

1. Friction resistance, smooth surface, small resistance, can prevent rusting and fouling.
2. Soft, flexible, easy to install, simple processing.
3. It can be bent to the shapes what you want.
4. A variety of chemical corrosion resistance, size stability, small permeability, electric resistance maximum, the service life more than ten years.
5. Good temperature resistance, can work under the environment -40° C to +120° C, it can transmit compressed air, water, fuel oil, chemical solvents, liquid, etc.

ITEM NO.	SIZE	OD (mm)	THICKNE SS(m m)
HHPA0475	4x0.75	4	0.75
HHPA0401	4x1	4	1
HHPA0501	5x1	5	1
HHPA0601	6x1	6	1
HHPA0801	8x1	8	1
HHPA1001	10x1	10	1
HHPA1025	10x1.25	10	1.25
HHPA1115	11x1.5	11	1.5
HHPA1201	12x1	12	1
HHPA1215	12x1.5	12	1.5
HHPA1415	14x1.5	14	1.5
HHPA1515	15x1.5	15	1.5
HHPA1602	16x2	16	2



尼龙双管产品 /DOUBLE NYLON HOSE

产品概述

此款新型产品是由高压尼龙管 + 高强度纤维线 + 高压尼龙管构成，粘贴性能极好，不断层，表面光滑，柔软性好，防爆强度增加，承受压力大，使用寿命增长

Product overview

The new product is made up of high pressure nylon tube + high strength fiber line + high pressure nylon tube, Adhesive performance is very good, Continuous layer, smooth surface more soft, explosion proof strength increased, high pressure, and increase the service life.

产品特点 /Product features

1. 粘贴性能好，不断层
2. 表面光滑，无刮痕
3. 柔软性好
4. 防爆强度增加
5. 承受压力大

1. Good Adhesive performance, Continuous layer
2. Smooth surface
3. More soft
4. Good explosion proof strength
5. High pressure

ITEM NO.	D1 INCH	D2&TOLERANCE MM
HHPAD0104	1/4"	3.8±0.10
HHPAD0105	5/16"	5±0.10
HHPAD0106	3/8"	6.5±0.10
HHPAD0107	1/2"	9.5±0.1
HHPAD0108	5/8"	11.5±0.15



PU管产品 /PU TUBE

PU管用途

适用于工业、农业、食品、医药土木工程、渔业、养殖业、园林灌溉等领域一般工作压力的液体输送。如气动管、液压管、花园水管、输油、输水管道、石油勘探管、喷砂管、蠕动泵软管等。

PU tube application

Applicable to industrial, agricultural, food, medicine, civil engineering, fisheries, aquaculture, garden irrigation and other areas of the general working pressure of the liquid transport. Such as: pneumatic pipe, hydraulic pipe, garden water pipe, oil, water pipelines, oil exploration pipe, sand blasting pipe, hose, etc.



PU管的特性

- 1、耐油性能好，是天然橡胶耐油性能的 15- 20 倍
- 2、耐磨性能好，是天然橡胶耐磨性能的 30-50 倍
- 3、耐老化性好，是天然橡胶耐老化性能的 5 倍
- 4、耐扯断强度是天然橡胶的 3 倍
- 5、具有高弹性、高伸长率、高强度
- 6、阻尼性能好，内壁光滑，液体阻力小，液压损失少
- 7、外观漂亮，软管弯曲半径小，无毒无味，耐冲击，耐疲劳，轻便灵活，其重量是橡胶软管的百分之三十至七十
- 8、阻燃性好，无毒无味。耐冲击、耐疲劳，安全可靠

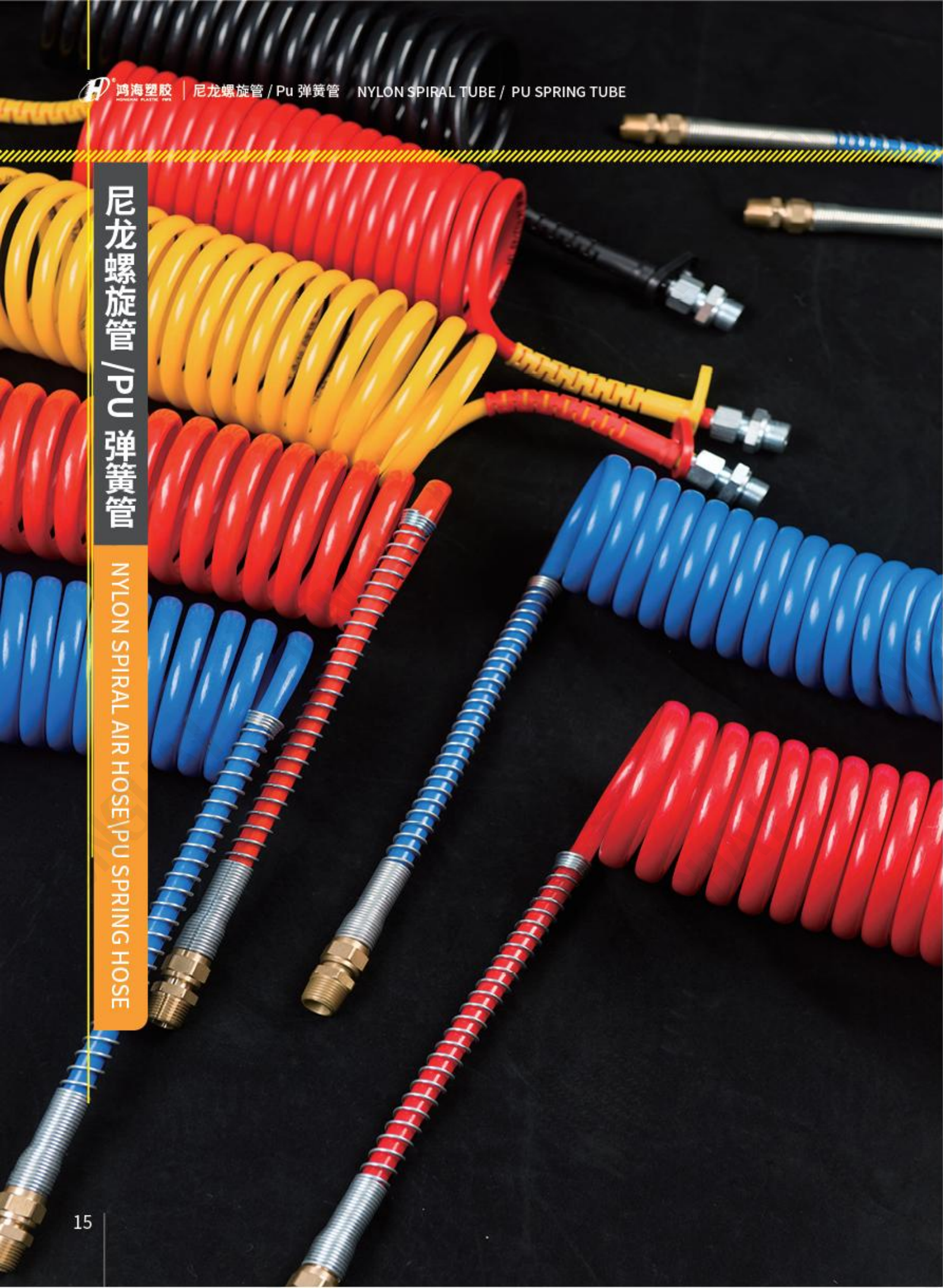
Characteristics of PU tube

1. oil resistant performance is good, is the natural rubber oil resistant performance of 15-20 times
2. wear-resisting performance is good, is the natural rubber wear-resisting performance 30-50 times
3. good ageing resistance, is the natural rubber aging resistance of 5 times
4. high tensile strength is 3 times of natural rubber
5. with high elasticity, high elongation, high strength
6. damping performance is good, the inner wall is smooth, the liquid resistance is small, the hydraulic loss is little
7. beautiful appearance, flexible pipe bending radius is small, non-toxic, tasteless, impact resistance, fatigue resistance, Lightweight and flexible, its weight is thirty percent to seventy of the rubber hose
8. flame retardant, non-toxic and tasteless. Impact resistance, fatigue resistance, safety and reliability

ITEM NO.	SIZE	TOLERANCE MM
HHPU0104	4x2.5	2.5+0.10
HHPU0105	6x4	4+0.10
HHPU0106	8x5	5+0.15
HHPU0107	10x6.5	6.5+0.15
HHPU0108	12x8	8+0.15

尼龙螺旋管 / PU 弹簧管

NYLON SPIRAL AIR HOSE / PU SPRING HOSE



PA/PU SPIRAL AIR HOSE



Description

PA HOSE SIZE: 12x9

PU HOSE SIZE: 12x8 8x6

COLOUR



LENGTH

WORKING LENGTH	...	4M	4.5M	5M	5.5M	...
TOTAL LENGTH	...	6.5M	7M	7.5M	8M	...

FITTING



SHEATH



Plastic Cuff

Spring

Hot Sale Size

CODE: MATERIAL + COILS + I.D. + COLOR

CODE	MATERIAL	COILS	I.D.	COLOR	HANDLE	FITTING
A2270R	PA	22	70	RED	SPRING/PLASTIC	M22,M16,1/2"
A2290Y	PA	22	90	YELLOW		
U2250R	PU	22	50	RED		
U2270Y	PU	22	70	YELLOW		

American Truck Air Brake



Item No.: A12/A15

- >> Set of 2 Coils (Blue & Red)
- >> 12ft/15ft Length
- >> 40" Pigtails Trailer End & 12" Pigtail Tractor End
- >> Made with premium, unprocessed virgin nylon constructed tubing
- >> Anti-Sag and Stretch manufacturing & coiling process
- >> Exceeds DOT FMVSS 106 - (49 CFR 571.106 & 49 CFR 393.45)
- >> -45° F cold flexibility rating
- >> 1/2" Tube OD w/ 1/2" Fittings
- >> DOT brass fittings



G01

G02

G03

G04



Item No.: A12L/A15L

- >> Set of 2 Coils (Blue & Red)
- >> 12ft/15ft Length (long-tail)
- >> 40" Pigtails Trailer End & 12" Pigtail Tractor End
- >> Made with premium, unprocessed virgin nylon constructed tubing
- >> Anti-Sag and Stretch manufacturing & coiling process
- >> Exceeds DOT FMVSS 106 - (49 CFR 571.106 & 49 CFR 393.45)
- >> -45° F cold flexibility rating
- >> 1/2" Tube OD w/ 1/2" Fittings
- >> DOT brass fittings



Item No.	Hose Size	Length
U8801	8*5	6m
U8802		9m
U8803		12m
U8804		15m



Item No.: A12R/A15R

- >> SAE J1402 - Type A rubber airbrake hose with factory crimped fitting
- >> Blue or Red Flexible Grips - for gladhand connection and identification
- >> Operating temperature of -40 °F to +200 °F (-40 °C to +93°C)
- >> 3/8" hose I.D - 1/2" end fittings
- >> Size: 12' - 15' Ft (Set of 2 Hoses)



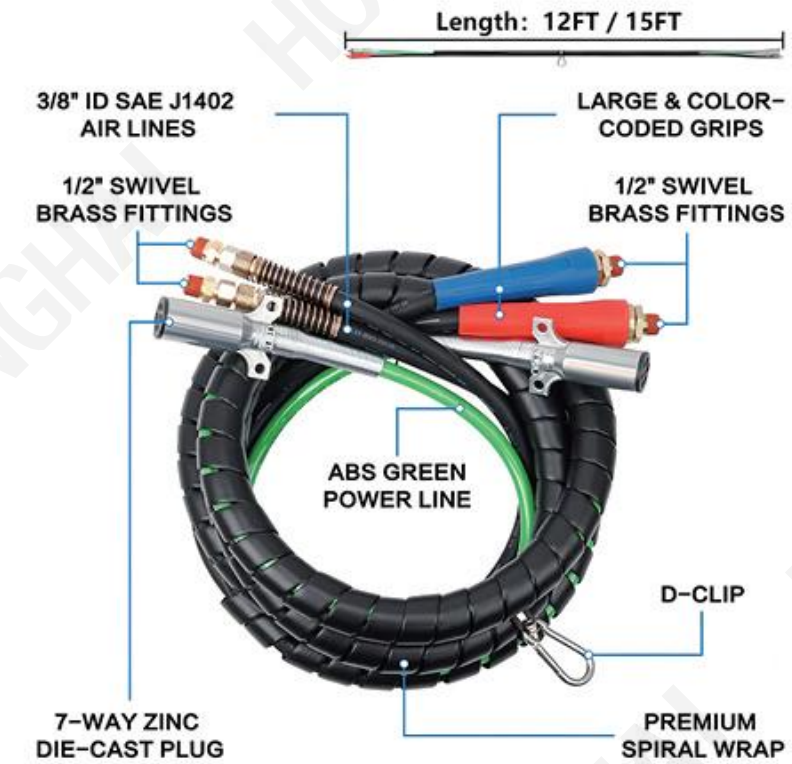
Item No.	Hose Size	Length
U9901	8*5	5m
U9902	6*4	5m

电线 / 插座



ELECTRIC CABLES / PLUGS



3-in-One ABS Air Power Lines



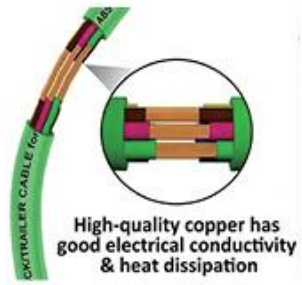
Product Description

Item No.	length	Details	Choose your connector
E1012	12FT	3/8" ID SAE J1402 rubber air lines available with black or red/blue	
E1015	15FT	ABS performance power line - meet stringent SAE J2222 requirements	
E1018	18FT	SAE J560 Buffalo Plugs with WeatherSeal sleeves for superior corrosion protection and strain relief	

Tender kit



Item No.	Size	Details
TS1013	13FT Single Spring	Large snap Clip "Beefy" clamp hanger Heavy duty spring Protective sleeve Customize Logo
TD1013	13FT Double Spring	
TS1016	16FT Single Spring	
TD1016	16FT Double Spring	
TS1025	25FT Single Spring	
TD1025	25FT Double Spring	



High-quality copper has good electrical conductivity & heat dissipation



ABS power line rated to -85 °F (-65 °C)



Multicore copper core wire provides more stable, safer and stronger transmission signal



Item No.	Length	Description
E100712	12'	4ea. 12ga / 2ea. 10ga / 1ea. 8ga
E100715	15'	



Item No.	Length	Description
E100812L	12'	4ea. 12ga / 2ea. 10ga / 1ea. 8ga
E100815L	15'	



Item No.	Length	Description
E100812	12'	4ea. 12ga / 2ea. 10ga / 1ea. 8ga
E100815	15'	

Electric Cables / Socket / Plug

HOT SIZE :1M² / 0.75M² / 2X4M²+5X1.5M²



E1002:7PIN



E101309A:15PIN
E101309B:7PIN



E1005:7PIN



E101302:7PIN



E101308:7PIN



HQ1707



HQ1718



HQ1708



HQ1713



HQ1715



HQ17010



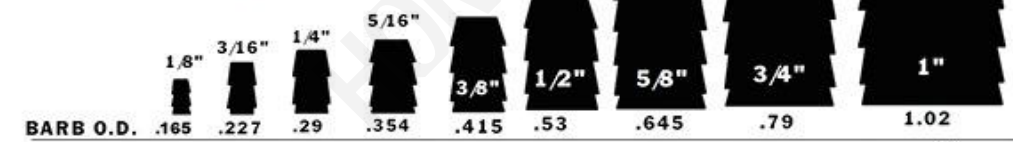
HQ1703



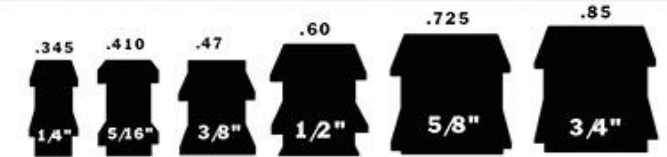
HQ1705



Hose Barb Fittings



Push On Fittings

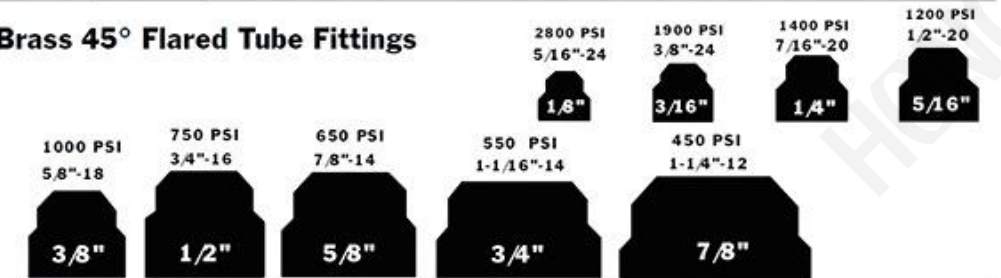


Garden Hose Fittings

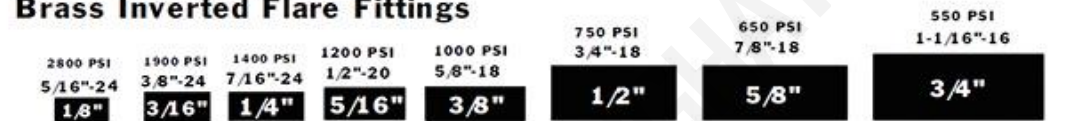
Male Garden Hose Threads are 3/4" with O.D. of 1.0625 and 11-1/2 threads per inch



Brass 45° Flared Tube Fittings



Brass Inverted Flare Fittings



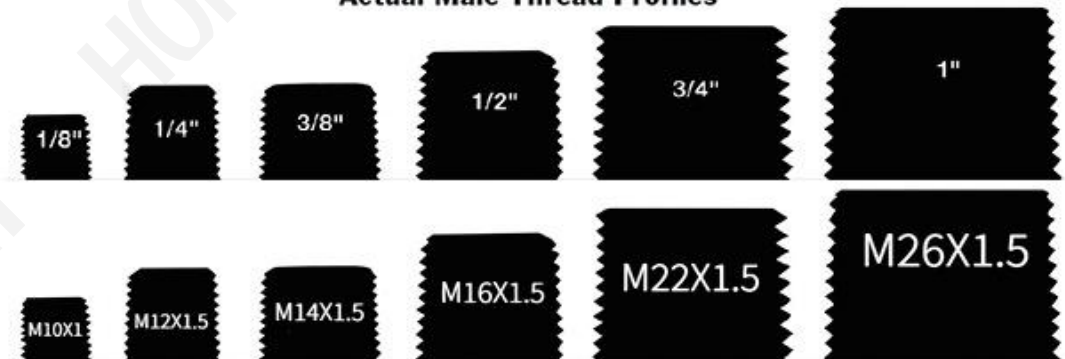
Brass Compression Fittings


















Tubing O.D. Size









Actual Male Thread Profiles










Universal Brass Fitting

		
Item No. C01	Item No. C02	Item No. C03
		
Item No. C04	Item No. C05	Item No. C06
		
Item No. C08	Item No. C09	Item No. C10
		
Item No. C11	Item No. C12	Item No. C13
		
Item No. C14	Item No. C15	Item No. C16

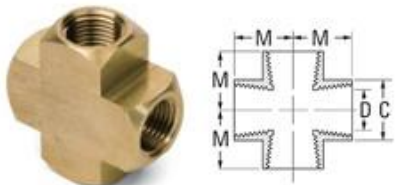

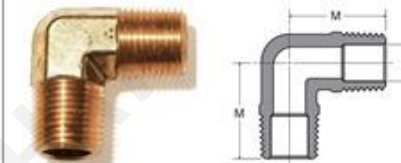
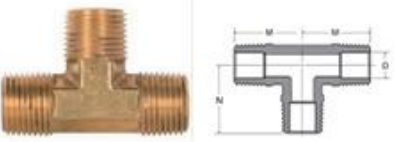

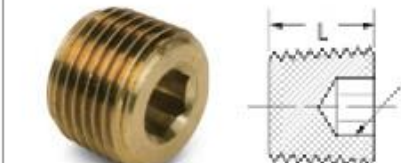



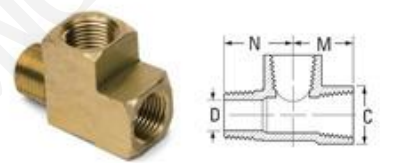
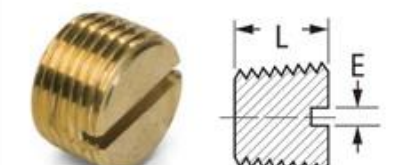
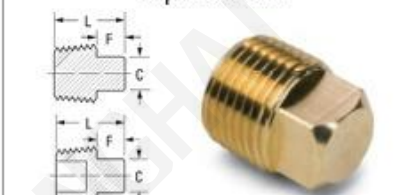
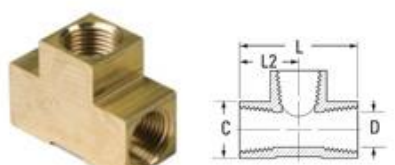
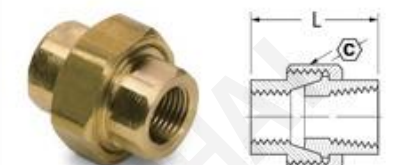
LEGINES PIPE FITTINGS

		
Item No. CA001	Item No. CA002	Item No. CA003
		
Item No. CA004	Item No. CA005	Item No. CA007

S.A.E PIPE FITTINGS

		
Item No. CA008	Item No. CA009	Item No. CA010
		
Item No. CA011	Item No. CA012	Item No. CA013
		
Item No. CA014	Item No. CA015	Item No. CA016

S.A.E PIPE FITTINGS

<p>Cross</p>  <p>Item No. CA017</p>	<p>Female Adapter</p>  <p>Item No. CA018</p>	<p>Forged 90 Male Elbow</p>  <p>Item No. CA019</p>
<p>Forged all Male Tee</p>  <p>Item No. CA020</p>	<p>Hex Head</p>  <p>Item No. CA021</p>	<p>Hex Socket</p>  <p>Item No. CA022</p>
<p>Locknut</p>  <p>Item No. CA023</p>	<p>Long Nipple</p>  <p>Item No. CA024</p>	<p>Male Branch Tee(Ref.SAE No.130425)</p>  <p>Item No. CA025</p>
<p>Male Run Tee(Ref.SAE No.130424)</p>  <p>Item No. CA026</p>	<p>SLOTTED PLUG</p>  <p>Item No. CA027</p>	<p>Square Head</p>  <p>Item No. CA028</p>
<p>Tee(Ref.SAE No.130438)</p>  <p>Item No. CA029</p>	<p>Union</p>  <p>Item No. CA030</p>	

SAE 45 FLARE

<p>Cap</p>  <p>Item No. CA031</p>	<p>Copper Flare Gasket(Ref.SAE No.010113)</p>  <p>Item No. CA032</p>	<p>Female Flare Adapter(Ref.SAE No.010106)</p>  <p>Item No. CA033</p>
<p>Female Connector(Ref.SAE No.010103)</p>  <p>Item No. CA034</p>	<p>Flare Reducing Union(Ref.SAE No.010105)</p>  <p>Item No. CA035</p>	<p>Forged 90° Flare Elbow(Ref.SAE No.010201)</p>  <p>Item No. CA031 CA036</p>
<p>Forged 90° Male Elbow(Ref.SAE No.010202)</p>  <p>Item No. CA037</p>	<p>Forged Male Branch Tee(Ref.SAE No.010425)</p>  <p>Item No. CA038</p>	<p>Forged 45° Male Elbow(Ref.SAE No.010302)</p>  <p>Item No. CA039</p>
<p>Forged 90° Female Elbow(Ref.SAE No.010203)</p>  <p>Item No. CA040</p>	<p>Forged Male Run Tee(Ref.SAE No.010424)</p>  <p>Item No. CA041</p>	<p>Forged Union Tee(Ref.SAE No.010401)</p>  <p>Item No. CA042</p>
<p>Long Forged Nut(Ref.SAE No.010167)</p>  <p>Item No. CA043</p>	<p>Long Rod Nut(Ref.SAE No.010111)</p>  <p>Item No. CA044</p>	<p>MALE ADAPTER (Ref. SAE No.010102)</p>  <p>Item No. CA045</p>

SAE 45 FLARE

<p>Plug(Ref.SAE No.010109)</p> <p>Item No. CA046</p>	<p>Seal Bonnet(Ref.SAE No.010114)</p> <p>Item No. CA047</p>	<p>Short Froged Nut(Ref.SAE No.010110)</p> <p>Item No. CA048</p>
<p>Short Rod Nut(Ref.)</p> <p>Item No. CA049</p>	<p>Swivel Nut Connector</p> <p>Item No. CA050</p>	<p>Union (Ref.SAE No.01010)</p> <p>Item No. CA051</p>
<p>Union Flare(Ref.SAE No.010107)</p> <p>Item No. CA052</p>		

HOSE BARB

<p>90° Hose Barb Elbow</p> <p>Item No. CA053</p>	<p>Ball-end joint Adapter To Male Pipe</p> <p>Item No. CA054</p>	<p>Beaded Hose Barb To Male Pipe</p> <p>Item No. CA055</p>
<p>Female Adapter L</p> <p>Item No. CA056</p>	<p>Forged Hose Barb 90° Elbow</p> <p>Item No. CA057</p>	<p>Hose Barb 45° Elbow</p> <p>Item No. CA058</p>

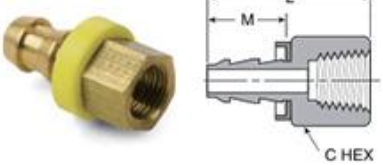
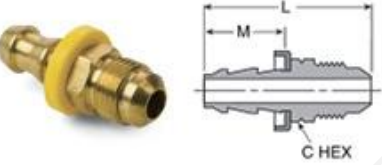



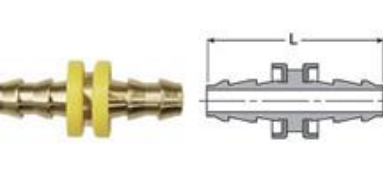
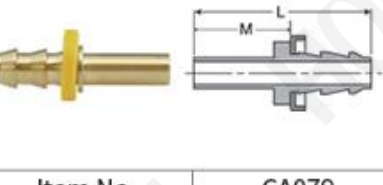

HOSE BARB

<p>Hose Barb Tees</p> <p>Item No. CA059</p>	<p>Hose Bard to Swivel 45° Female Flare</p> <p>Item No. CA060</p>	<p>Hose Bard to Swivel Female Ball-End</p> <p>Item No. CA061</p>
<p>Hose Mnder / Splicer</p> <p>Item No. CA062</p>	<p>Male Adapter</p> <p>Item No. CA063</p>	<p>Male Adapter L</p> <p>Item No. CA064</p>
<p>Male Elbow</p> <p>Item No. CA065</p>	<p>Swiver Male Adapter</p> <p>Item No. CA066</p>	<p>Union Elbow</p> <p>Item No. CA067</p>
<p>Union Tee</p> <p>Item No. CA068</p>	<p>Union L</p> <p>Item No. CA069</p>	<p>Plug</p> <p>Item No. CA069-1</p>



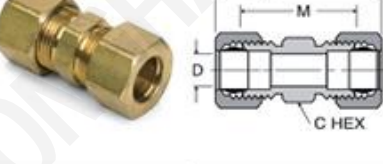


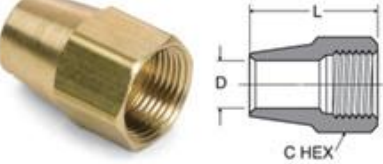
PUSH-ON

<p>Female JIC 37° Swicel</p> <p>Item No. CA070</p>	<p>Female Pipe (NPSM)</p> <p>Item No. CA071</p>	<p>Female SAE 45° Swivel</p> <p>Item No. CA072</p>
--	---	--

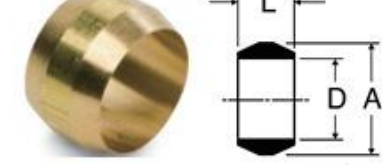

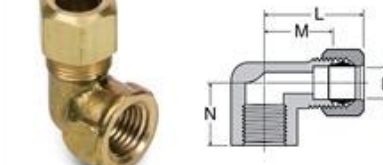

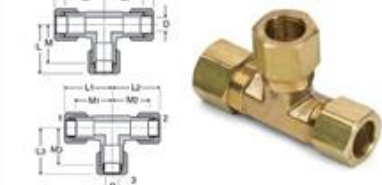




PUSH-ON

<p>Hose Barb to Female Pipe</p>  <p>Item No. CA073</p>	<p>Hose Barb to Male SAE 45°</p>  <p>Item No. CA074</p>	<p>Inverted Flare Male Swivel</p>  <p>Item No. CA075</p>
<p>Male Elbow</p>  <p>Item No. CA076</p>	<p>Push-on Hose Barb to Male Pipe</p>  <p>Item No. CA077</p>	<p>Push-on Union</p>  <p>Item No. CA078</p>
<p>Rigid Tube Adapter</p>  <p>Item No. CA079</p>	<p>SAE / JIC 45° / 37° Female Swivel</p>  <p>Item No. CA080</p>	




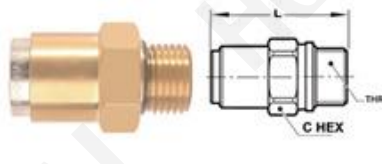
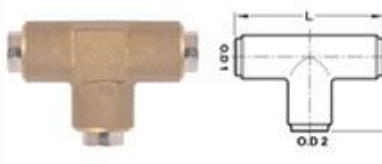
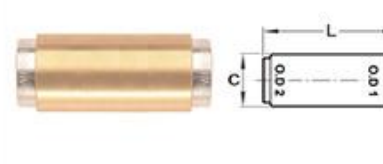
COMPRSSION

<p>BRASS INSERT</p>  <p>Item No. CA081</p>	<p>Bulkhead Union</p>  <p>Item No. CA082</p>	<p>Ref.SAE No.060101 BA</p>  <p>Item No. CA083</p>
<p>Ref.SAE No.060102BA</p>  <p>Item No. CA084</p>	<p>Ref.SAE No.060110</p>  <p>Item No. CA085</p>	<p>Ref.SAE No.060111</p>  <p>Item No. CA086</p>

COMPRSSION

<p>Ref.SAE No.060115</p>  <p>Item No. CA087</p>	<p>Ref.SAE No.060202BA</p>  <p>Item No. CA088</p>	<p>Ref.SAE NO.060203BA</p>  <p>Item No. CA089</p>
<p>Ref.SAE No.060302BA</p>  <p>Item No. CA090</p>	<p>Ref.SAE No.060401 BA</p>  <p>Item No. CA091</p>	<p>Ref.SAE No.060424 BA</p>  <p>Item No. CA092</p>
<p>Ref.SAE No.060425 BA</p>  <p>Item No. CA093</p>	<p>Ref.SAE.No 060103BA</p>  <p>Item No. CA094</p>	<p>Ref.SAE No.060201 BA</p>  <p>Item No. CA094-1</p>

METRIC D.O.T PUSH-IN

<p>90° Male Elbow</p>  <p>Item No. CA095</p>	<p>90° Universal hobbs</p>  <p>Item No. CA096</p>	<p>Elbow Union</p>  <p>Item No. CA097</p>
<p>Male Connector</p>  <p>Item No. CA098</p>	<p>Reducing Tee connector</p>  <p>Item No. CA099</p>	<p>Reducing Union Connector</p>  <p>Item No. CA100</p>

METRIC D.O.T PUSH-IN

Tee Union		Union	
Item No.	CA101	Item No.	CA102

D.O.T PUSH-IN

45° Male Elbow		90° Male Elbow		Bulkhead Union	
Item No.	CA103	Item No.	CA104	Item No.	CA105

Female Connector		Female Elbow		Gladhand Bulkhead -3	
Item No.	CA106	Item No.	CA107	Item No.	CA108

Gladhand Bulkhead		Male Branch Tee		Male Connector	
Item No.	CA109	Item No.	CA110	Item No.	CA111

Male Run Tee		Swivel Male Branch Tee		Swivel Male Run Tee	
Item No.	CA112	Item No.	CA113	Item No.	CA114

D.O.T PUSH-IN

Swivel 45° Male Elbow		Swivel 90° Male Elbow		Union Elbow	
Item No.	CA115	Item No.	CA116	Item No.	CA117

Union Tee		Union	
Item No.	CA118	Item No.	CA119

PTC D.O.T PUSH-IN

Male Branch Tee Swivel		Male Elbow Swivel 45°		Male Elbow Swivel 90°	
Item No.	CA120	Item No.	CA121	Item No.	CA122

Male Run Tee Swivel		Plug-In Elbow 369PTCSP		Presto Manifold 24M	
Item No.	CA123	Item No.	CA124	Item No.	CA125

Prestomatic SAE Encapsulated Cartridge PMTCE		Union 32PTC		Union Elbow 365PTC	
Item No.	CA126	Item No.	CA127	Item No.	CA128


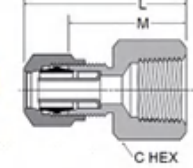


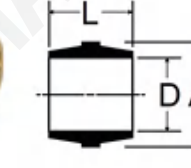
PTC D.O.T PUSH-IN

Union Tee 364PTC		Union Y 362PTC		Union Y Male Connector	
					
Item No.	CA129	Item No.	CA130	Item No.	CA130L

D.O.T AIR BRAKE NYLON TUBING

Bulkhead Union		Bulkhead Union-3		Bulkhead Union-5	
					
Item No.	CA131	Item No.	CA132	Item No.	CA133

Insert		Ref.SAE No.100101 BA		Ref.SAE No.100102 BA	
					
Item No.	CA134	Item No.	CA135	Item No.	CA136

Ref.SAE No.100103 BA		Ref.SAE No.100110 BA		Ref.SAE No.100115 BA	
					
Item No.	CA137	Item No.	CA138	Item No.	CA139

Ref.SAE No.100201 BA		Ref.SAE No.100202 BA		Ref.SAE No.100203 BA	
					
Item No.	CA140	Item No.	CA141	Item No.	CA142

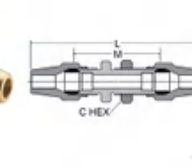
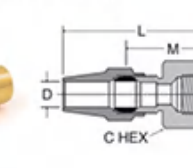

D.O.T AIR BRAKE NYLON TUBING

Ref.SAE No.100301 BA		Ref.SAE NO.100302 BA		Ref.SAE.No 100424 BA	
					
Item No.	CA143	Item No.	CA144	Item No.	CA145

Ref.SAE.No 100425 BA	
	
Item No.	CA146


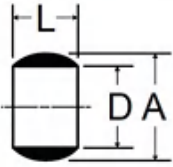

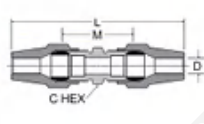

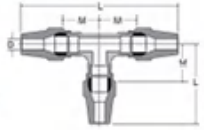

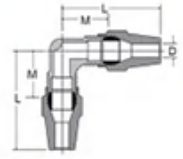
D.O.T AIR BRAKE COPPER

45° Male Elbow (Ref.SAE NO.120302 BA)		90° Female Elbow (Ref.SAE No.120203 BA)		90° Male Elbow (Ref.SAE No.120202 BA)	
					
Item No.	CA1146	Item No.	CA147	Item No.	CA148


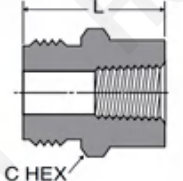

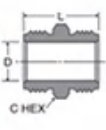



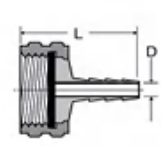

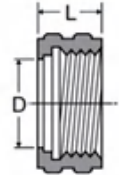

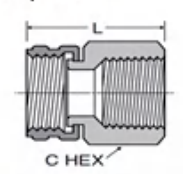

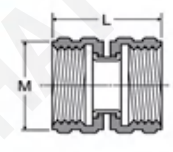

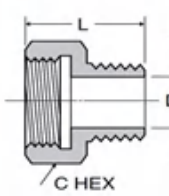
Bulkhead Union		Female Connector (Ref.SAE No.120103 BA)		Male Branch Tee (Ref.SAE.No 120425 BA)	
					
Item No.	CA149	Item No.	CA150	Item No.	CA151

Male Connector (Ref.SAE No.120102 BA)		Male Run Tee (Ref.SAE.No 120424 BA)		Nut (Ref.SAE No.120111 BA)	
					
Item No.	CA152	Item No.	CA153	Item No.	CA154

D.O.T AIR BRAKE COPPER

Sleeve (Ref.SAE No.120115 BA)		Union (Ref.SAE No.120101BA)		Union Tee (Ref.SAE No.120401 BA)	
					
Item No.	CA155	Item No.	CA156	Item No.	CA157
Union Elbow (Ref.SAE No.120201 BA)					
					
Item No.	CA158				

GARDEN HOSE

2Female Garden Hose Adapters		2Male Garden Hose Adapters		53GH Garden Hose Male End Only		53GH Garden Hose Male End Only-1	
							
Item No.	CA159	Item No.	CA160	Item No.	CA161		
90GH Garden Hose Female End Only		94GH Garden Hose Octagon Nuts		98GH Female Garden Hose Adapters			
							
Item No.	CA162	Item No.	CA163	Item No.	CA164		
98GHSV Female Garden Hose Swivel Adapters		Male Run Tee (Ref.SAE.No 120424 BA)		Female Garden Hose Adapters			
							
Item No.	CA165	Item No.	CA166	Item No.	CA167		


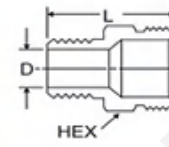



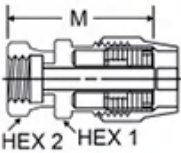

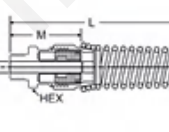

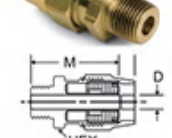

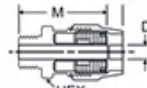

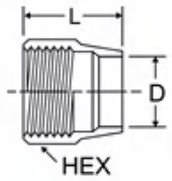
GARDEN HOSE

K90GH Garden Hose Female End Only Short Shank Knurled NU		Male Garden Hose Adapters		PSN76 Garden Hose Spray Nozzles, Sweepe	
					
Item No.	CA168	Item No.	CA169	Item No.	CA170

POL(BOTTLED GAS)

2001 POL Nut		2002 POL Tailpiece		2004 POL CAP	
					
Item No.	CA171	Item No.	CA172	Item No.	CA173
2005 CONNECTORS		2014 POL PLUG			
					
Item No.	CA174	Item No.	CA174-1		

D.O.T AIR BRAKE HOSE-ENDS

Adapter		Air Brake Hose Nut & Attached Spring		Female Swivel connector	
					
Item No.	CA1175	Item No.	CA176	Item No.	CA177
Male Connector & Attached Spring		Male Connector BODY		Male Connector	
					
Item No.	CA178	Item No.	CA179	Item No.	CA179-1
		Nut			
					
		Item No.	CA180		

D.O.T AIR BRAKE HOSE-ENDS

Sleeve NO DRAWING		Spring Guard Nut		Union	
					
Item No.	CA181	Item No.	CA182	Item No.	CA183

INVERTED FLARE

45° Male Elbow {Ref.SAE No.040302}		90° Male Elbow {Ref.SAE No.040202}		Female Connector {Ref.SAE No.040103}	
					
Item No.	CA184	Item No.	CA185	Item No.	CA186

Male Connector {Ref.SAE No.040102}		Pulg {Ref.SAE No.040109} {STEEL}		Tube Long Nut {STEEL}	
					
Item No.	CA187	CA146	CA188	Item No.	CA189

Tube Nut {Ref.SAE No.040110} {BRASS}		Tube Nut {Ref.SAE No.040110} {STEEL}		Union Tee {Ref.SAE No.040401}	
					
Item No.	CA190	Item No.	CA191	Item No.	CA192


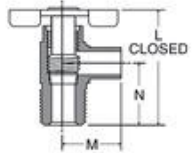

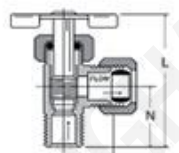

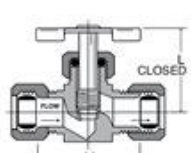
Union {Ref.SAE No.040101}	
	
Item No.	CCA186-1

TRANSMISSION


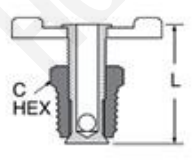

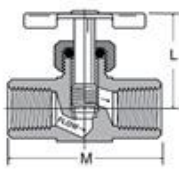

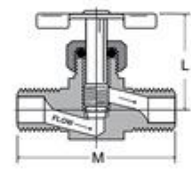
Male Connector		Male Elbow		Nut	
					
Item No.	CA1193	Item No.	CA194	Item No.	CA195

Sleeve		Union	
			
Item No.	CA196	Item No.	CA197

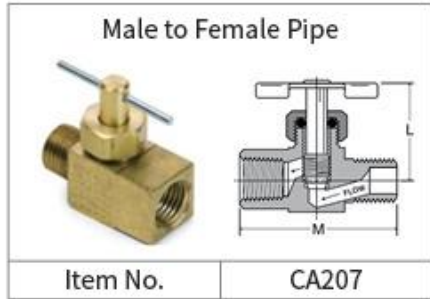
Drain Cocks

Bib Drain Vavle		Compression Angle		Compression Double	
					
Item No.	CA198	Item No.	CA199	Item No.	CA200

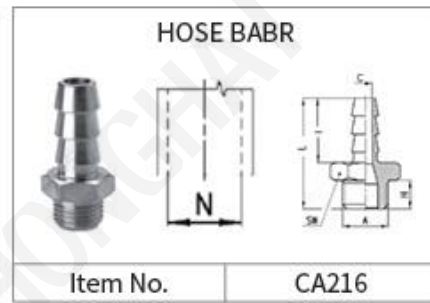
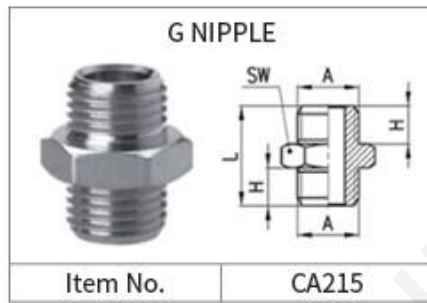
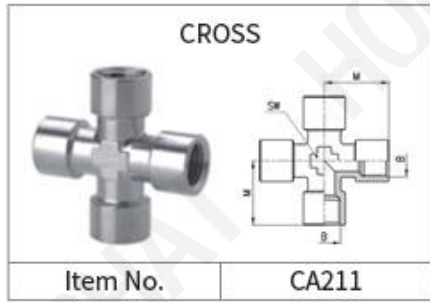
Compression Straghtway		Drain Cock		External Seal Drain Cock 2	
					
Item No.	CA201	Item No.	CA202	Item No.	CA203

External Seal Drain Cock		Female Pipe		Male Pipe	
					
Item No.	CA204	Item No.	CA205	Item No.	CA206

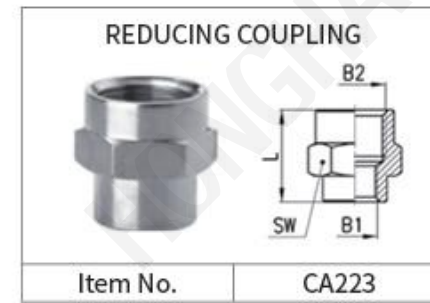
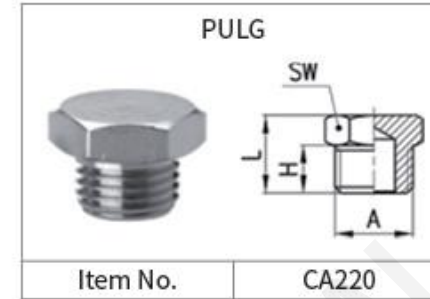
Drain Cocks



BSP & BSPT FITTINGS



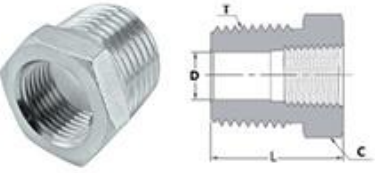

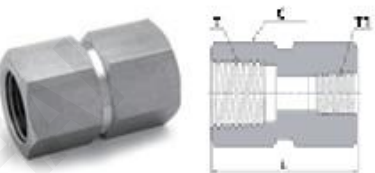






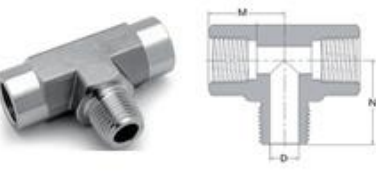
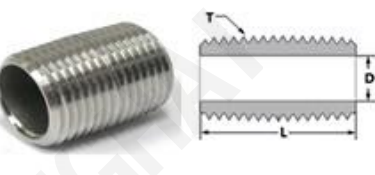
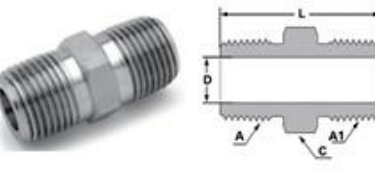

BSP & BSPT FITTINGS



Stainless steel PIPE FITTINGS



Stainless steel PIPE FITTINGS

<p>Bushing</p>  <p>Item No. CA234</p>	<p>CAP</p>  <p>Item No. CA235</p>	<p>Coupling (Ref.SAE.NO.130138)</p>  <p>Item No. CA236</p>
<p>Crosses</p>  <p>Item No. CA237</p>	<p>Forged 90 Male Elbow</p>  <p>Item No. CA238</p>	<p>Forged all Male Tee</p>  <p>Item No. CA239</p>
<p>Forged Male Run Tee</p>  <p>Item No. CA240</p>	<p>Hex Head plug</p>  <p>Item No. CA241</p>	<p>Hex Socket plug</p>  <p>Item No. CA242</p>
<p>Long Nipple</p>  <p>Item No. CA243</p>	<p>Male Branch Tee</p>  <p>Item No. CA244</p>	<p>Nipple Close Nipple</p>  <p>Item No. CA245</p>
<p>Nipple Reducing Hex Nipple</p>  <p>Item No. CA246</p>	<p>Tee</p>  <p>Item No. CA247</p>	



铁接头 / 塑料接头

IRON FITTING/PLASTIC FITTING

TUBE SIZE		THREAD SIZE	
4	5/32	1/8	M10*1
6	3/16	1/4	M12*1.5
8	1/4	3/8	M16*1.5
10	5/16	1/2	M20*1.5
12	3/8		
14	1/2		
16			

Using fluid

Maximum working pressure
Pressure range
Normal working pressure
Low pressure working pressure
Ambient and fluid temperature
Using hose

clean compressed air, vacuum

1.32Mpa (13.5kgf/cm²)
0~0.9Mpa (0~9.2kgf/cm²)
-99~0Kpa (-750~0mmHg)
0~60°C
PU hose, Nylon hose

MAIN SIZE DESCRIPTION



FOR HOSE O.D.



FOR THREAD SIZE



PU

PV

PE

PY



PLF

PL

PX

PB



I03



I04



I09



I10



I05



I07



PC

PCF

SL

HVFF



P01

P02

P03



I12



I13



REMARK: 7PCS INCLUDE
 2*NUT
 2*INSERT
 2*CUT RING
 1*FITTING



I29



I15/16

AIR COUPLING



V01 V02 V03 V04

Size : M16×1.5&M22×1.5&1/2"



I34



I33



HQ1810

HOSE SIZE	3/8"&1/2'
FITTING SIZE	3/8"&1/2'



I28



I21



HQ1810

ASSEMBLE SIZE	2.6M/3.6M/4.6M/4.2M
---------------	---------------------