



# 2023/2024 WORKSHOP TOOLS



**GAT MACHINERY CO.,LTD.**

+86-755-23008803

ADD:3RD FLOOR, BUILDING B2, FUXINLIN INDUSTRIAL PARK, GAOYE RD., BAO'AN DISTRICT, SHENZHEN, CHINA

INFO@GAT-MATIC.COM

WWW.GAT-MATIC.COM



www.gat-matic.com



facebook

# TOOLS SOLUTION

GAT MACHINERY CO., LTD.

# Tools Company Profile



GAT Machinery Co., Ltd is a leading auto service tools supplier with more than 10 years experience for tool cabinet, workbench, auto hand tools, insulated tools and other tools.

Our factory covers more than 9,000 square meters, including R&D center, production lines and modern warehouse. We have strong production ability and our automatic production line meets China environmental testing standards and all products are made with strict international quality control standards.

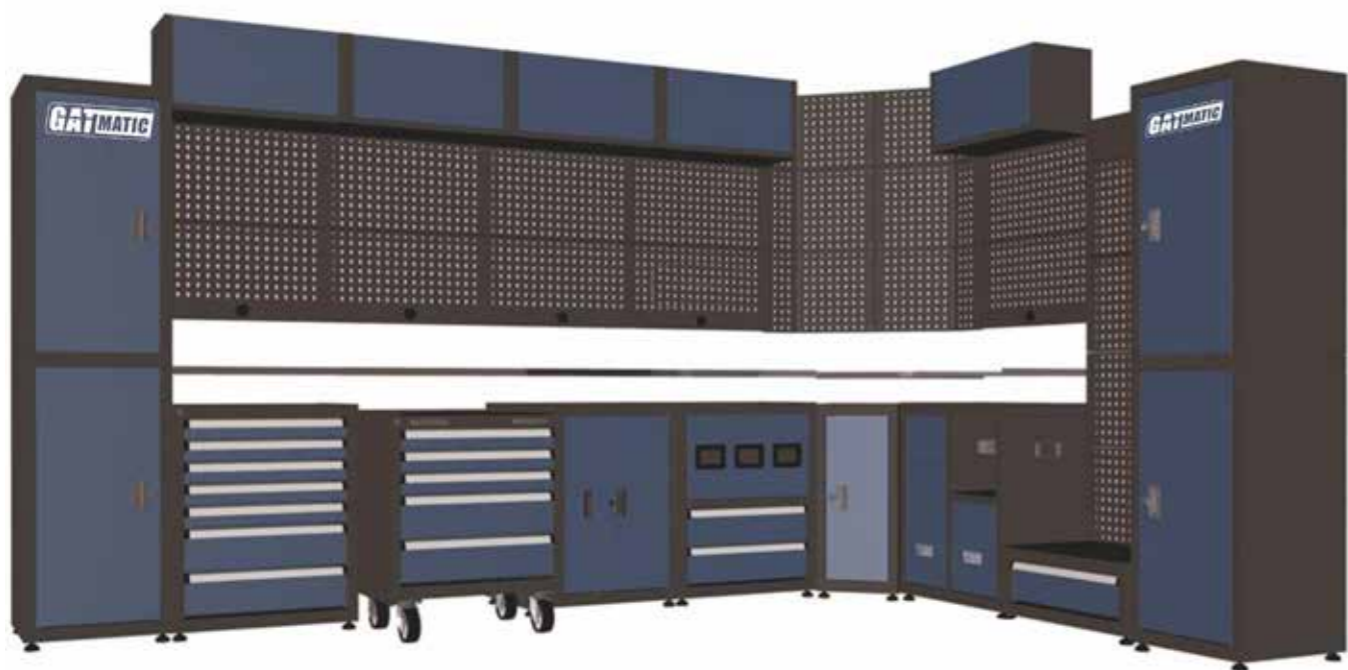
We have enjoyed high reputation among our customers for innovation technology, high quality products, professional technical support and fast service. We export to over 50 countries, including European market, North American market, Latin American market and South East Asian market. We are looking forward to establishing long-term, honest and win-win cooperation with you!





## Garage Cabinet System

**GWS2L1**



Different combinations can work in different workplaces, to improve work efficiency and working environment



GWS141C	
Standard Size	2955*463*2045mm
Package QTY	14
N.W	257kg
G.W	285kg
40HQ	26sets



GWS141C	
Standard Size	2640*463*2045mm
Package QTY	14
N.W	233kg
G.W	254kg
40HQ	30sets

- Made of the highest quality standard steel plate, modular design, easy to disassemble and transport.
- Adopt advanced automatic electrostatic powder coating produce line, a variety of colors are available.
- More reasonable storage space partitioning.
- Complete set workbench reasonable module partition, total capacity can reach 5000kg.
- Single drawer capacity 50kg, and can open 100%.
- Unique appearance design, 8 different function station, diverse combination, support customize, apply to different produce environment, satisfy different customers one-stop product and service demand.



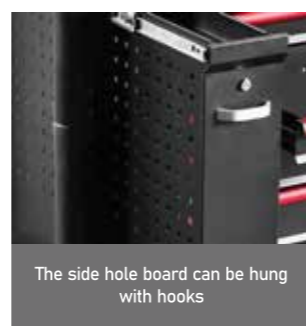
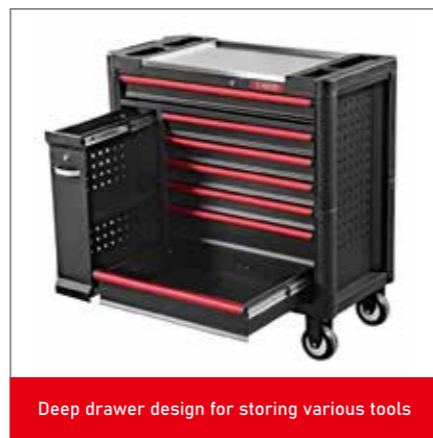
GWS161B	
Standard Size	4235*490*2045mm
Package QTY	20
N.W	375kg
G.W	413kg
40HQ	18sets



GWS181A	
Standard Size	4915*463*2045mm
Package QTY	24
N.W	435kg
G.W	489kg
40HQ	15sets

# Heavy Duty Tool Cabinet / Workbench

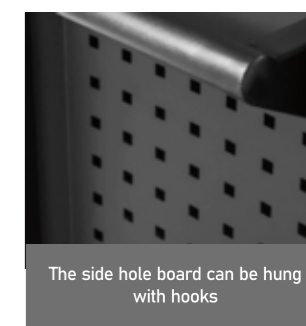
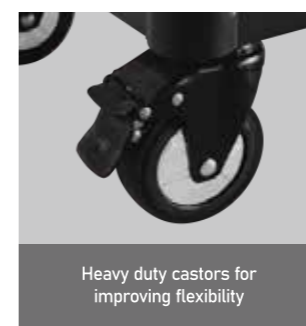
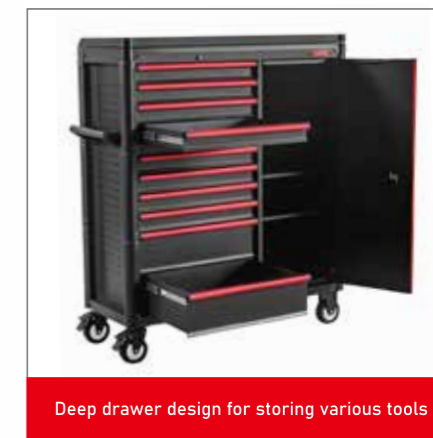
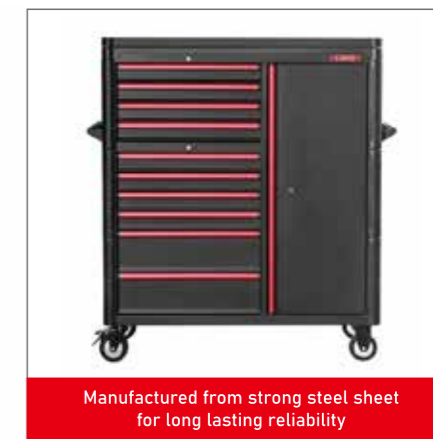
■ GEC901



Specifications		Product Size	
Body Thickness	1.0mm/1.2mm	Package Size	1018*467*811mm
Drawer Thickness	1.0mm/1.2mm	Qty For 20" Container	56 Sets
Drawer Size 1 (1pcs)	795*400*80mm	Qty For 40" Container	132 Sets
Drawer Size 2 (4pcs)	575*400*80mm	Weight	74.8KG
Drawer Size 3 (2pcs)	575*400*135mm	Max Bearing Weight	600KG

# Heavy Duty Tool Cabinet

■ GEC902



Body Thickness	1.0mm/1.2mm	Package Size	1270*530*1465mm
Drawer Thickness	1.0mm/1.2mm	Qty for 20" Container	19 Sets
Drawer Size 1 (8pcs)	570*400*80mm	Qty for 40" Container	40 Sets
Drawer Size 2 (2pcs)	570*400*180mm	Weight	135KG
Product Size	1352*468*1420mm	Max Bearing Weight	600KG

# Heavy Duty Tool Cabinet / Workbench



**GEC903**



Wooden worktop for easy work. Can meet the needs of 4 people to work at the same time



Manufactured from strong steel sheet for long lasting reliability



Deep drawer design for storing various tools



Self-priming slides and interlock system, only one drawer can be opened at a time



Heavy duty castors for improving flexibility



High quality and sturdy side handle for convenience



The side hole board can be hung with hooks

Body Thickness	1.0mm/1.2mm	Package Size	1220*815*1030mm
Drawer Thickness	1.0mm/1.2mm	Qty For 20" Container	22 Sets
Drawer Size 1 (9pcs)	570*400*80mm	Qty For 40" Container	46 Sets
Drawer Size 2 (3pcs)	570*400*135mm	Weight	180KG
Product Size	1155*750*808mm	Max Bearing Weight	600KG

# Heavy Duty Tool Cabinet / Workbench



**GEC904**



Stainless steel worktop, high-end



Manufactured from strong steel sheet for long lasting reliability



Deep drawer design for storing various tools



Interlock system and self-priming slides with full extension ball bearing slides for smooth and easy drawer operation



Heavy duty castors for improving flexibility



High quality and sturdy side handle for convenience

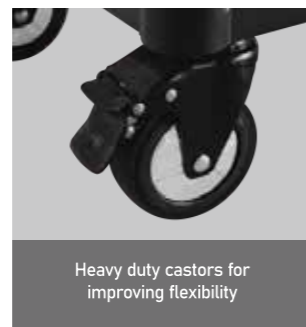
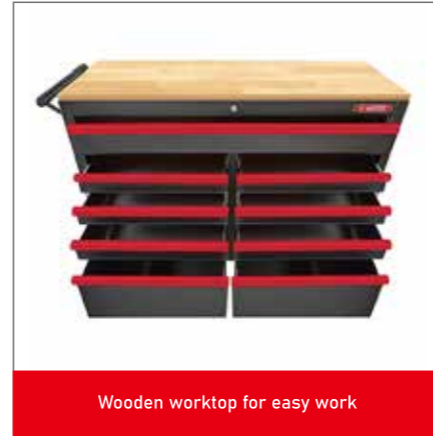


The side hole board can be hung with hooks

Specifications		Drawer Size 5(2pcs)	380*400*120mm
Body Thickness	1.0mm/1.2mm	Product Size	1283*467*811mm
Drawer Thickness	1.0mm/1.2mm	Package Size	1340*530*1030mm
Drawer Size 1 (1pc)	1068*400*80mm	Qty for 20" Container	30 Sets
Drawer Size 2 (4pcs)	570*400*80mm	Qty for 40" Container	60 Sets
Drawer Size 3 (2pcs)	570*400*120mm	Weight	116.4KG
Drawer Size 4 (4pcs)	380*400*80mm	Max Bearing Weight	600KG

# Heavy Duty Tool Cabinet / Workbench

■ GEC905



Body Thickness	1.0mm/1.2mm	Product Size	1170*462*940mm
Drawer Thickness	1.0mm/1.2mm	Package Size	1260*560*860mm
Drawer Size 1 (1pcs)	1058*394*98.5mm	Qty For 20" Container	32 Sets
Drawer Size 2 (4pcs)	498*394*76mm	Qty For 40" Container	108 Sets
Drawer Size 3 (2pcs)	498*394*84.5mm	Weight	88KG
Drawer Size 4 (2pcs)	498*415*235mm	Max Bearing Weight	600KG



Professional Auto Repair Tools Solution



Luxury Tool Cabinet

Tool Cabinet

# 7-Drawer Empty Cabinet

■ GEC807



Auto-lifting pegboard, extend space to hang more tools



Manufactured from strong steel sheet for long lasting reliability



Self-priming slides with full extension ball bearing slides for smooth and easy drawer operation



Heavy duty castors for improving flexibility



High quality and sturdy side handle for convenience



Equip with bluetooth speaker in the upper right corner

Specifications		Body Material	Steel
Body Thickness	1.0mm	Unit Weight	69kg
Drawer Thickness	0.8mm	Max. Loading Capacity /Per Drawer	46kg
Drawer Qty	7 Pieces	Cabinet Size	755*545*985mm
Storage Bin Qty	1 Piece	Warranty	12 Months

# 7-Drawer Empty Cabinet

■ GEC307



Multifunctional storage table, high-class, durable and reliable



Manufactured from strong steel sheet for long lasting reliability



Self-priming slides with full extension ball bearing slides for smooth and easy drawer operation



Heavy duty castors for improving flexibility



High quality and sturdy side handle for convenience



The side hole board can be hung with hooks

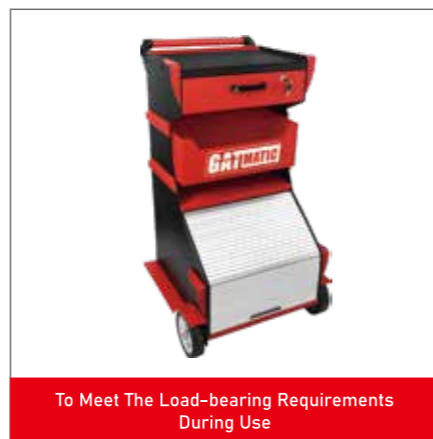
Overall	755*455*810mm
Casters Size	755*455*930mm
Package Size	780*465*1010mm
Weight	121 lbs 55kg
Package Weight	127.2 lbs 57.8kg
20" Container: 72pcs	40" Container: 180pcs

Luxury Tool Cabinet

Luxury Tool Cabinet

### 3-Drawer Rolling Door Empty Tool Trolley

■ GEC403



To Meet The Load-bearing Requirements During Use



Storage in different sizes, meeting your needs for tool storage in many ways

Luxury Tool Cabinet



Heavy duty castors for improving flexibility



High quality and sturdy side handle for convenience



The backboard meets the needs of different pendants



Rear locker lock design Store important tools

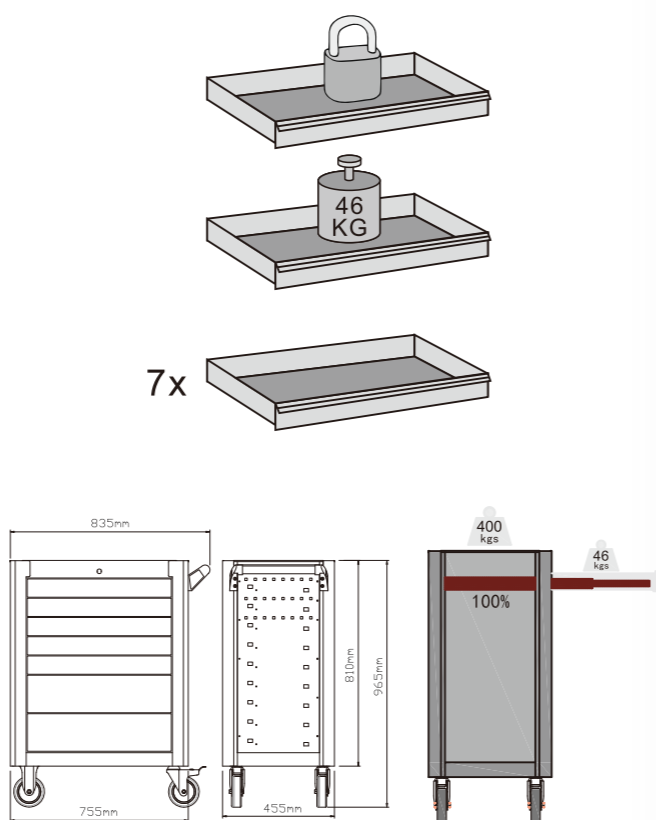
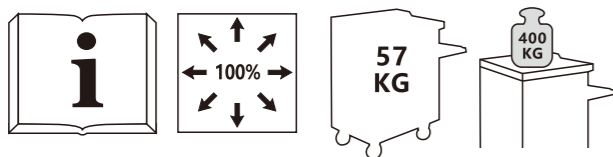
Body Thickness	1mm
Thickness Of Drawer	0.8mm
Package Dimensions	1010*570*210mm
Product Size	500*560*980mm
Drawer Size	450*300*117mm
Gross Weight	47kg





# Insulated Tool Cabinet

**GITT094**



- IEC EN 60900 Certified
- Compatible up to 1000V AC/1500 V DC
- Fully insulated, exceeding international standards.

## GIES094A 20 PCS Insulated Tool Set

- 15PCS 1/2" Insulated Socket: 10, 11, 12, 13, 14, 15, 16, 17, 18, 19, 20, 21, 22, 23, 24MM
- 1PC 1/2" Insulated Ratchet Wrench L=24CM
- 1PC 1/2" Insulated Short Extension Bar 125MM 140MM
- 1PC 1/2" Insulated Long Extension Bar 250MM 275MM
- 1PC 1/2" Insulated T-handle, 1/2 \* 200mm
- 1PC Insulated Adjustable Wrench 10" 250MM



## GIES094B 25 PCS Insulated Tool Set

- 1PC Insulated Test Pencil 220V-250V
- 4PCS 3/8" Insulated 6-PT Deep Socket: 8, 10, 14, 17MM, L=8CM
- 10PCS 3/8" Insulated 6-PT Socket: 8, 10, 11, 12, 13, 14, 16, 17, 21, 22MM
- 1PC 3/8" Insulated Long Extension Bar 265MM
- 1PC 3/8" Insulated Short Extension Bar 140MM
- 1PC 3/8" Insulated T-handle
- 1PC 3/8" Insulated Ratchet Wrench
- 1PC Infrared Temperature Gun
- 5PCS Insulated 6-PT T Wrench: 4, 5, 6, 8, 10MM



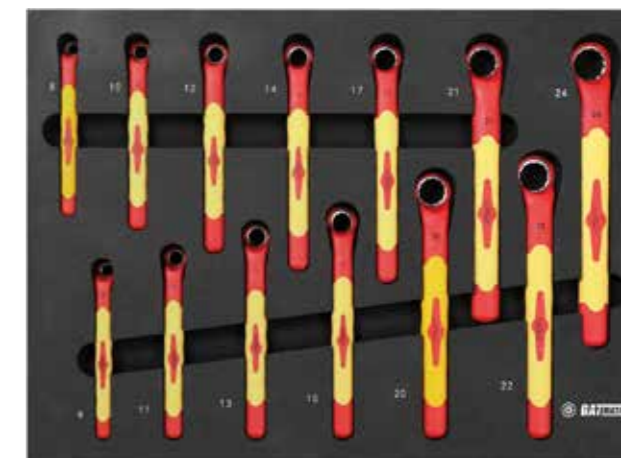
## GIES094C 19 PCS Insulated Screwdriver & Plier Tool Set

- 3PCS Insulated Slotted Screwdriver: SL3x75MM, SL4x100MM, SL6x125MM
- 3PCS Insulated Phillips Screwdriver: 1x75MM, 1x100MM, 2x125MM
- 1PC 8" VDE Insulated Long Nose Pliers
- 1PC 6" VDE Insulated Diagonal Pliers
- 1PC 8" VDE Insulated Combination Pliers
- 3PCS Insulated Scissor, Insulated Wire Stripper, Insulated Tape
- 4PCS Interchangeable Insulated Slotted Screwdriver: SL0.6\*3\*100MM, SL0.8\*4.0\*100MM, SL1\*5.5\*100MM, SL1.2\*6.5\*100MM
- 2PCS Interchangeable Insulated Phillips Screwdriver: PH1\*100MM, PH2\*100MM
- 1PC Interchangeable Insulated PZ screwdriver: PZ1\*100mm,



## GIES094D 13 PCS Insulated Box End Wrench Tool Set

- 13PCS Insulated Box End Wrench: 8, 9, 10, 11, 12, 13, 14, 15, 17, 20, 21, 22, 24MM



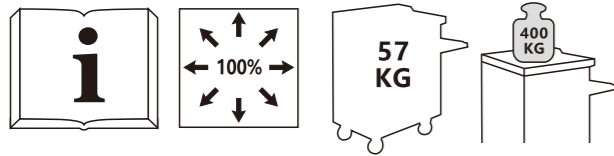
## GIES094E 16 PCS Insulated Open End Wrench Tool Set

- 16PCS Insulated Open End Wrench: 8, 9, 10, 11, 12, 13, 14, 15, 16, 17, 18, 19, 20, 21, 22, 24MM

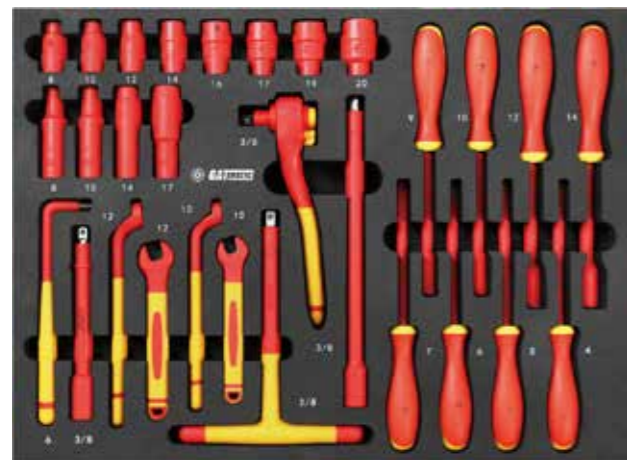
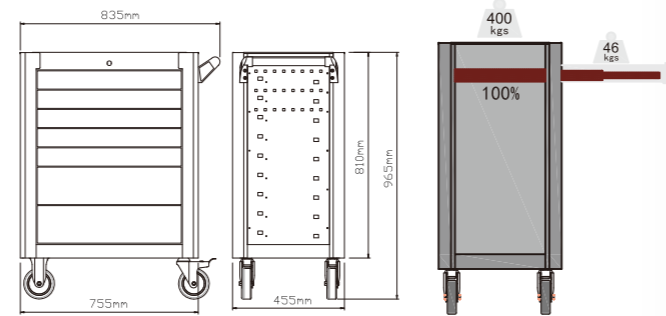
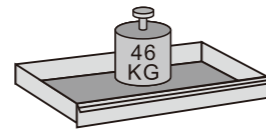
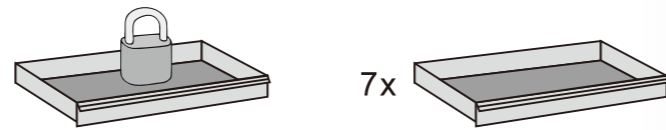


# Insulated Tool Cabinet

**GITT310**



- IEC EN 60900 Certified
- Compatible up to 1000V AC/1500 V DC
- Fully insulated, exceeding international standards.



**GIES310A 29 PCS Insulated Tool Set**

- 2PCS Insulated Open End Wrench 10-12MM
- 2PCS 2pcs Insulated Ring End Wrench 10/12MM
- 1PC Hex Key Wrench
- 4PCS 3/8" Insulated 6-PT Long Socket 8, 10, 14, 17MM
- 8PCS Insulated 6-PT Socket 8, 10, 12, 14, 16, 17, 19, 20MM
- 8PCS Insulated 6-PT Socket Bits: 4, 5, 6, 7, 9, 10, 12, 14MM
- 3PCS Insulated Accessories: 3/8"extension bar 9MM, 3/8"extension bar 165MM, 3/8"extension bar 270MM
- 1PC 3/8" Insulated Ratchet Wrench



**GIES310B 22 PCS Insulated Tool Set**

- 8PCS Insulated Phillips Screwdriver: PH0\*50, PH0\*60, PH1\*75, PH1\*100, PH2\*125, PH2\*150, PH3\*200, PH3\*250MM
- 8PCS Insulated Slotted Screwdriver: 3\*50, 3\*75, 4\*100, 5\*75, 6\*125, 6\*150, 8\*200, 9\*250MM
- 1PC Test Pencil
- 5PCS Insulated Pliers: 6" Combination Pliers, 6" Long Nose Pliers, 6" Diagonal Cutting Pliers, Scissors, 6" Stripper Pliers

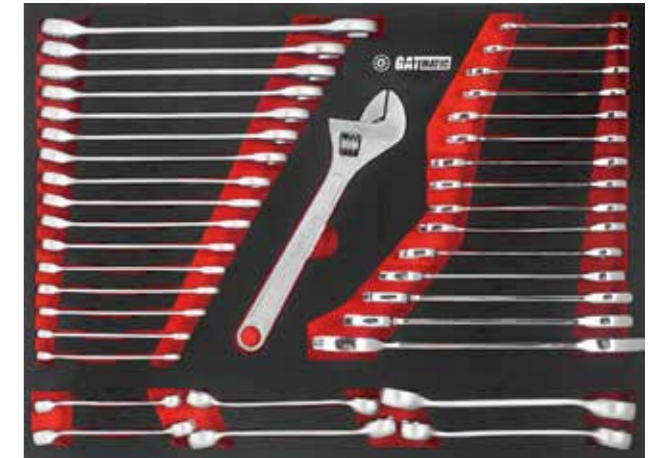
**GIES310C 131 PCS Socket & Bits Tool Set**

- 1/2" Metric 6-PT Socket : 8-32MM
- 1/2" Metric 6-PT Long Socket:10-19MM
- Industrial Quick Ratchet Wrench
- 10MM Metric 6-PT Socket: 8-19MM
- 6.3MM Metric 6-PT Socket: 4MM-14MM
- 2.5MM Metric -6PT Impact Socket:17-23MM
- L-Handle: 10"
- Universal Joint
- Extension Bar
- Spinner Handle
- Adapter: 10/12.5MM
- 1/2" Spark Plug Socket: 16/21MM
- 3/8" Spark Plug Socket: 14MM



**GIES310D 38 PCS Wrench Tool Set**

- 16PCS Metric Combination Wrench: 8-24MM
- 15PCS Metric Open end Wrench: 6\*7-30\*32MM
- 6PCS Flare Nut Wrench
- 1PC Adjustable Wrench 10"



**GIES310E 37 PCS Maintenance Tool Set**

- 9PCS Super Long Arm Torx Hex Key Wrench Set
- 9PCS Super Long Ball Point Hex Key
- 1PC Ball Hammer: 1.5lb
- 1PC Anti-vibration Rubber Hammer 40mm
- 1PC Blade Feeler Gauge, Included 14 Small pcs
- 1PC Magnetic Pick-Up Tool
- 1PC Tape Measure: 7.5M
- 1PC Snap Off Knife
- 1PC Tire Inflation Gun
- 1PC Valve Core Wrench
- 1PC Adjustable Torque Wrench, 20KG
- 1PC Voltage Tester 6V-12V-24V
- 1PC Luxury Dust Gun
- 7PCS Cool Oil Pipe Disassembly
- 1PC Quick Connectors- male-outer Teeth 1/4", CPM10



**GIES310F 45 PCS Comprehensive Tool Set**

- 12pcs Wheel Cylinder Adjustment Group (Universal)
- 1PC Oil Filter Wrench(Upgrade)
- 5PCS Cup Type Oil Filter Wrench: 65MM/14P, 67MM/14P, 74.5MM/14P, 79MM/15P, 79.5MM/15P
- 2PCS Oil Filter Wrench (Stainless Steel), 55MM-75MM, 75MM-85MM
- 2PCS Plastic Buckle Screwdriver, Spark Plug Socket
- 19PCS Oil Screw Socket
- 4PCS Interior Disassembly Tool Set



5PCS T-type Socket

1PC Working Light

1PC Lug Wrench

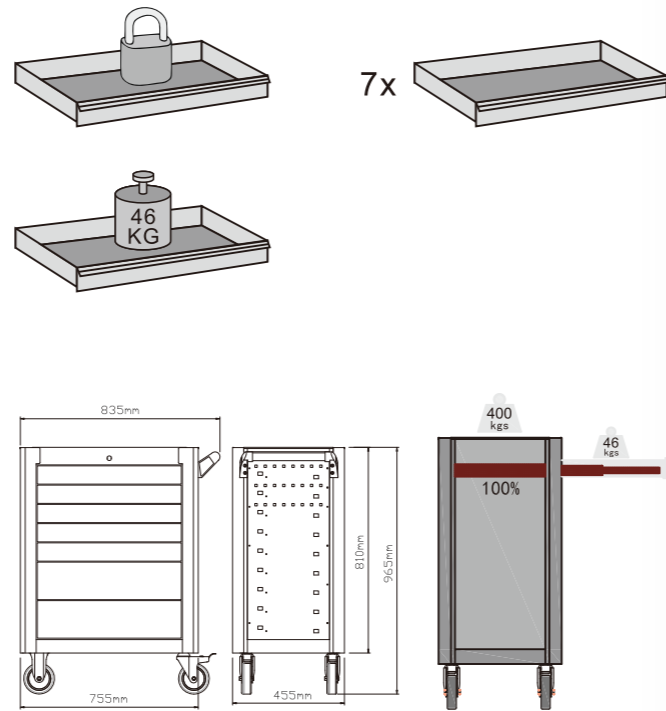
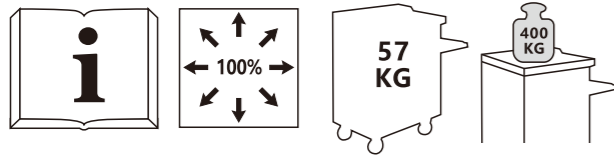


Insulated Tool Solution

Insulated Tool Solution

# Tool Cabinet

**GTT381**



## GES381A 87 PCS Socket Tools

- 20 PCS 1/2" 6-PT Socket set: 8, 9, 10, 11, 12, 13, 14, 15, 16, 17, 18, 19, 20, 21, 22, 23, 24, 27, 30, 32MM
- 12 PCS 1/2" 6-PT Deep Socket set: 10, 11, 12, 13, 14, 15, 16, 17, 18, 19, 20, 21MM
- 20 PCS 1/2" 12-PT Socket set: 8, 9, 10, 11, 12, 13, 14, 15, 16, 17, 18, 19, 20, 21, 22, 23, 24, 27, 30, 32MM
- 4 PCS 1/2"DR. Impact Socket: 17, 19, 21, 23MM
- 4 PCS 1/2"Dr. Deep Impact socket: 17, 19, 21, 23MM
- 7 PCS Accessories: 1PC 1/2"Ratchet Handle, 1PC 1/2"x12"L Bar, 2PC 1/2" Extension Bar: 5", 10", 1PC 1/2" Sliding Bar, 1PC 1/2" Universal Joint, 1PC 3/8"x1/2"Socket
- 20 PCS Bits: H6.35x25L Bits



## GES381B 41 PCS Comprehensive Tool Set

- 9 PCS Ball Point Hex Key Set
- 9 PCS Torx Hex Key Set
- 5 PCS Punch Set
- 5 PCS Screw Extractor
- 1 PC Valve Wrench
- 2 PCS 1/2" Spark Socket: 16, 21 MM
- 2 PCS 1/2"Socket Bits: M9, T52
- 8 PCS Accessories: 1PC Air Blow Gun, 1PC Inflator and Gauge Kit, 1PC Utility Knife with 3 PCS Blade, 1PC 1/2"Oil filter Wrench, 1PC 1.5LB Dead Blow Hammer, 1PC 400g Machinist's Hammer, 1PC 10LB Pick Up Tool, 1PC Voltage Tester

## GES381C 28 PCS Wrench & Screwdriver Set

- 11 PCS Double Ring Wrench: 6x7, 8x9, 10x11, 12x13, 14x15, 16x17, 18x19, 20x22, 21x23, 24x27, 25x28MM
- 12 PCS L Socket Wrench: 6, 7, 8, 9, 10, 11, 12, 13, 14, 15, 16, 17MM
- 1 PC Adjustable Wrench: 8"
- 4 PCS Screwdriver Set: SL8x150, SL8x175, PH3x150, PH3x175MM



## GES381D 177 PCS Socket Set

- 10 PCS 1/4"DR. Deep Socket: 4, 5, 6, 7, 8, 9, 10, 11, 12, 13MM
- 23 PCS 1/4"Socket Bits: SL4, SL5.5, SL7, PH1, PH2, PH3, PZ1, PZ2, PZ3, H3, H4, H5, H6, H7, H8, T10, T15, T20, T25, T27, T30, T40
- 13 PCS 1/4"DR.Socket: 4, 4.5, 5, 5.5, 6, 7, 8, 9, 10, 11, 12, 13, 14MM
- 6 PCS Extension Bar: 1/4"x2", 4", 6", 3/8"x3", 6", 10"
- 2 PCS Ratchet Wrench: 1/4", 3/8"
- 2PCS Sliding Bar: 1/4", 3/8"
- 1 PC Spinner Handle
- 12 PCS 3/8"DR.Socket: 8, 9, 10, 11, 12, 13, 14, 15, 16, 17, 18, 19MM
- 10 PCS 3/8"DR.Deep Socket: 8, 10, 11, 12, 13, 14, 15, 16, 17, 19MM
- 8 PCS 3/8"DR.E Socket: E8, E10, E11, E12, E14, E16, E18, E20
- 2 PCS Exchange socket: 3/8"x1/2", 3/8"x1/4"
- 2 PCS Universal Joint: 1/4", 3/8"
- 2 PCS Bits Adaptor: 1/4", 3/8"
- 19 PCS H10x30L Bits: H4, 4, 5, 5, 6, 7, 10 M5, 5, 6, 8, 10 T20, 25, 30, 40, 50, 55, 60
- 19 PCS H10x75L Bits: H4, 4, 5, 5, 6, 7, 10, M5, 5, 6, 8, 10, T20, 25, 30, 40, 50, 55, 60
- 26PCS Socket Bits : PH1, PH2, PH3, PZ1, PZ2, PZ3, H3, H4, H5, H6, H8, H10, SL4, SL5.5, SL6.5, T10, T15, T20, T25, T27, T30, T40, T45, T50, T55, T60
- 20 PCS Bits: H6.35x25L Bits



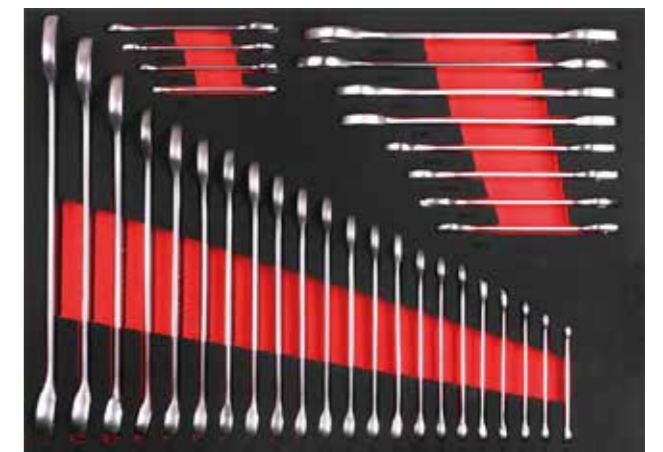
## GES204C 17 PCS Pliers & Screwdriver Set

- 9 PCS Pliers: 4 PC 7"Snap Ring pliers, 1 PC 6"Diagonal Pliers, 1 PC 6"Long Nose Pliers, 1 PC 7"Combination Pliers, 1 PC 8"Slip joint Pliers, 1 PC 10" Locking Pliers
- 8 PCS Screwdriver: SL6x38, SL3x75, SL5x100, SL6x150, PH2x38, PH0x75, PH1x100, PH2x150MM



## GES239C 34 PCS Wrench Set

- 22 PCS Combination Wrench: 6, 7, 8, 9, 10, 11, 12, 13, 14, 15, 16, 17, 18, 19, 20, 21, 22, 23, 24, 27, 30, 32MM
- 12 PCS Double Open Wrench: 6x7, 8x9, 10x11, 12x13, 14x15, 16x17, 18x19, 20x22, 21x23, 24x27, 25x28, 30x32MM

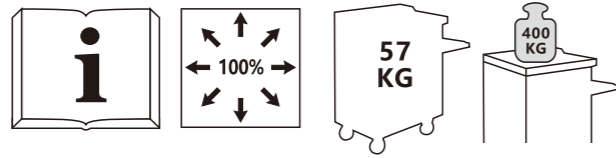


Tool Solution Set

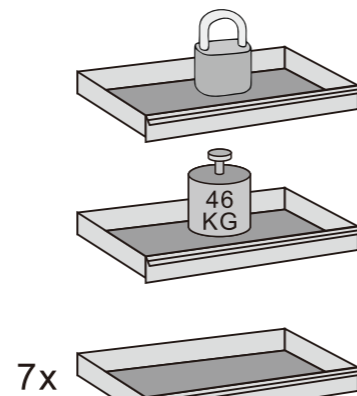
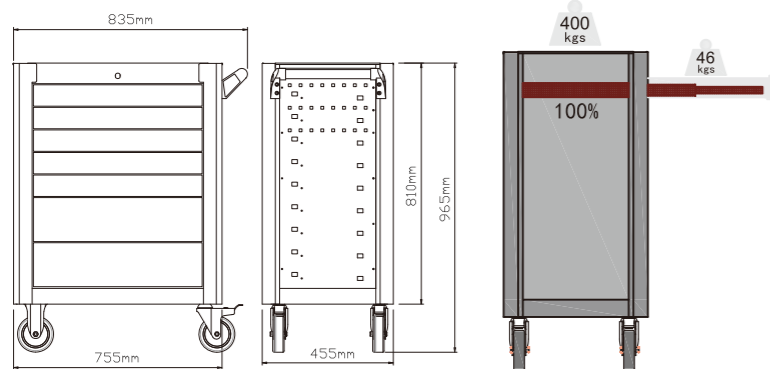
Tool Solution Set

# Tool Cabinet

**GTT239**



- Tool trolley set for fast repair.
- Meeting general maintenance and replacement of spare parts



## GES239A 136 PCS Socket Tools

- 20 PCS 1/2" 6-PT Socket set: 8, 9, 10, 11, 12, 13, 14, 15, 16, 17, 18, 19, 20, 21, 22, 23, 24, 27, 30, 32MM
- 23 PCS 1/4" Socket Bits: SL4, SL5.5, SL7; PH1, PH2, PH3, PZ1, PZ2, PZ3; H3, H4, H5, H6, H7, H8; T10, T15, T20, T25, T27, T30, T40
- 8 PCS 1/2"DR. Deep Sockets: 10, 12, 14, 16, 17, 19, 22, 24MM
- 3 PCS Ratchet Handle: 1/4", 3/8", 1/2"
- 3 PCS Extension Bar: 1/4"x 4", 6"; 1/2"x10"
- 4 PCS Accessories: 1 PC 1/2" 3-Way Adaptor; 1 PC 1/4" Spinner Handle; 1 PC 1/4" Sliding Bar; 1 PC 1/2"x12" L Bar
- 8 PCS 3/8"DR.E Socket: E8, E10, E11, E12, E14, E16, E18, E20
- 13 PCS 1/4"DR.Socket: 4, 4.5, 5, 5.5, 6, 7, 8, 9, 10, 11, 12, 13, 14MM
- 10 PCS 1/4"DR.Deep Socket: 4, 5, 6, 7, 8, 9, 10, 11, 12, 13MM
- 3 PCS Universal Joint: 1/4", 3/8", 1/2"
- 3 PCS Bits Adaptor: 1/4", 3/8", 1/2"
- 19 PCS H10x30L Bits: H4, 4, 5, 5, 6, 7, 10; M5, 5, 6, 8, 10; T20, 25, 30, 40, 50, 55, 60
- 19 PCS H10x75L Bits: H4, 4, 5, 5, 6, 7, 10; M5, 5, 6, 8, 10; T20, 25, 30, 40, 50, 55, 60



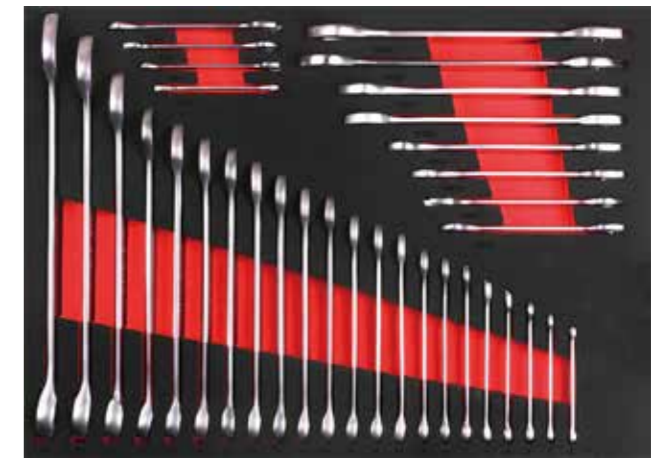
## GES204C 17 PCS Pliers & Screwdriver Set

- 9 PCS Pliers: 4PC 7"Snap Ring pliers, 1PC 6"Diagonal Pliers, 1PC 6"Long Nose Pliers, 1PC 7"Combination Pliers, 1PC 8"Slip joint Pliers, 1PC 10" Locking Pliers
- 8 PCS Screwdriver: SL6x38, SL3x75, SL5x100, SL6x150, PH2x38, PH0x75, PH1x100, PH2x150MM



## GES239C 34 PCS Wrench Set

- 22 PCS Combination Wrench: 6, 7, 8, 9, 10, 11, 12, 13, 14, 15, 16, 17, 18, 19, 20, 21, 22, 23, 24, 27, 30, 32MM
- 12 PCS Double Open Wrench: 6x7, 8x9, 10x11, 12x13, 14x15, 16x17, 18x19, 20x22, 21x23, 24x27, 25x28, 30x32MM



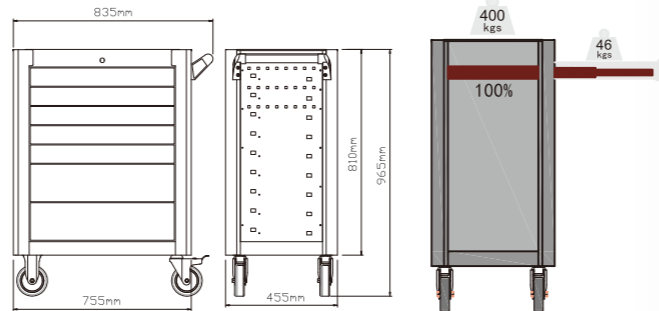
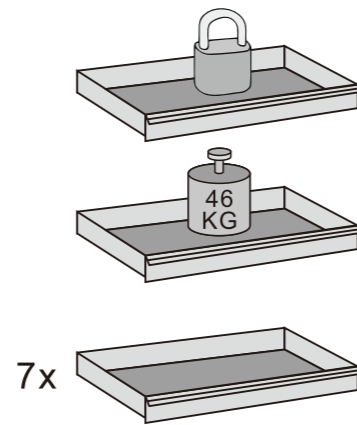
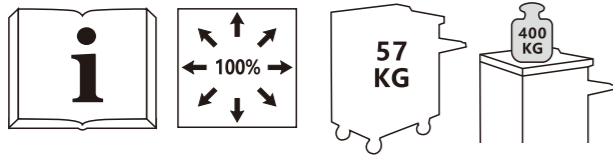
## GES239D 53 PCS Comprehensive Tool Set

- 5 PCS Punch Set
- 5 PCS Screw Extractor
- 13 PCS Feeler
- 1 PC 1/2"xT52 Socket Bit
- 1 PC Valve Wrench
- 2 PCS 1/2" Spark Socket: 16, 21 MM
- 9 PCS Ball Point Hex Key Set
- 9 PCS Torx Hex Key Set
- 8 PCS Accessories: 1 PC Utility Knife with 3 PCS Blade; 1 PC Air Blow Gun; 1 PC 8"Adjustable Wrench; 1 PC 400G Machinist's Hammer; 1 PC Voltage Tester; 1 PC 1.5LB Dead Blow Hammer; 1 PC 10LB Pick Up Tool; 1 PC 1/2"Oil filter Wrench



# Tool Cabinet

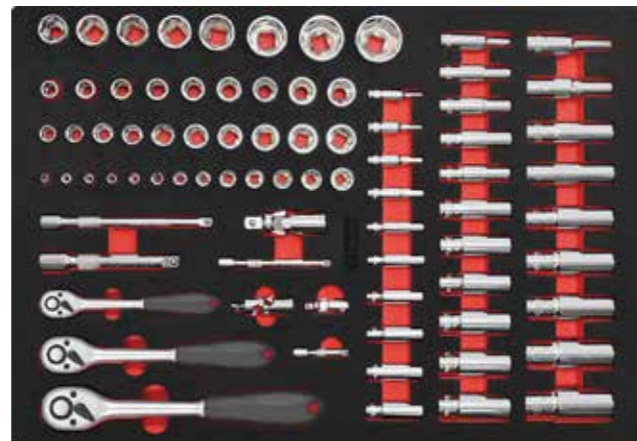
**GTT233A**



- Tool trolley set for fast repair.
- Meeting general maintenance and replacement of spare parts

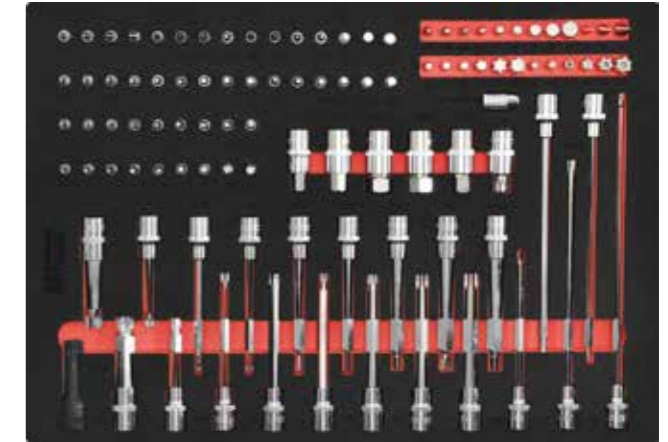
## GES233A 80 PCS Socket Tools

- 13 PCS 1/4" Dr. Socket: 4, 4.5, 5, 5.5, 6, 7, 8, 9, 10, 11, 12, 13, 14MM
- 10 PCS 3/8" Dr. Socket: 10, 11, 12, 13, 14, 15, 16, 17, 18, 19MM
- 17 PCS 1/2" Dr. Socket: 10, 11, 12, 13, 14, 15, 16, 17, 18, 19, 20, 21, 22, 24, 27, 30, 32MM
- 3 PCS Universal joint: 1/4", 3/8", 1/2"Dr.
- 1 PC 1/2"Dr. Extension bar: 125MM
- 1 PC 3/8"Dr. Extension bar: 150MM
- 2 PC 1/4"Dr. Extension bar: 50MM,100MM
- 10 PCS 1/4" Dr. Deep socket: 4, 5, 6, 7, 8, 9, 10, 11, 12, 13MM
- 11 PCS 3/8" Dr. Deep socket: 8, 10, 11, 12, 13, 14, 15, 16, 17, 18, 19MM
- 9 PCS 1/2" Dr. Deep socket: 10, 13, 15, 16, 17, 18, 19, 22, 24MM
- 3 PCS Ratchet handle: 1/4"Dr., 3/8"Dr., 1/2"Dr.



## GES233B 102 PCS Bits Socket Set

- 48 PCS 1/4"Dr Bits socket: SL4, 5.5, 6.5, 7MM; H3, 4, 5, 6, 7, 8MM; PH0, 1, 2, 3; M8, 10, 12; PZ0, 1, 2, 3 T8, T9, T10, T15, T20, T25, T27, T30, T40; T8, T9, T10, T15, T20, T25, T27, T30, T40 (with hole); TS10, TS15, TS20, TS25, TS27, TS30, TS40, TS45, TS50 (with hole)
- 28 PCS 1/2"Dr. Bits socket: 8H\*130\*H5; 8H\*205\*H7; 8H\*215\*R8; 8H\*215\*R7; 8H\*275\*T30; 10H\*75\*M9; 17H\*75\*M16; 10H\*75\*R9; 17H\*75\*T80; 14H\*30\*H14; 17H\*30\*H17; 17H\*30\*H19; 17H\*30\*H22; 17H\*30\*H24; 17H\*30\*HM16; 8H\*115\*T40; 8H\*115\*T45; 8H\*115\*T50; 10H\*115\*T55; 12H\*115\*T60; 14H\*115\*T70; 10H\*115\*R10; 10H\*115\*H10; 12H\*115\*H11; 14H\*115\*H13; 10H\*115\*M10; 12H\*115\*M12; 14H\*115\*M14
- 24 PCS 5/16"Dr.\*30MM Bits: SL8, 10, 12MM; PH3, 4; PZ3, 4; T40, T45, T50, T55, T60, T70; T40, T45, T50, T55, T60, T70 (with hole)
- 1 PC 1/2"Dr.Coupler
- 1 PC 1/2"Dr.Impact socket: M12



## GES233C 13 PCS Wrench Set

- 13 PCS Gear Wrench: 8, 9, 10, 11, 12, 13, 14, 15, 16, 17, 19, 21, 22MM



## GES233D 21 PCS Screwdriver Set

- 8 PCS Go though Screwdriver: SL6\*38MM; SL5\*75MM; SL6\*100MM; SL8\*150MM; PH2\*38MM; PH1\*75MM; PH2\*100MM; PH3\*150MM
- 11 PCS Screwdriver: T6, 7, 8, 9, 10\*3\*100MM; T15, 20\*5\*100MM; T25, 27, 30\*6\*100MM T40\*8\*150MM
- 2 PCS Precision screwdriver



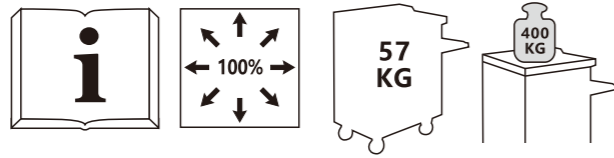
## GES233E 16 PCS Plier Set

- 4 PCS 6" Circlip pliers
- 1 PC 6" Combination pliers
- 1 PC 6" Long nose pliers
- 1 PC 6" Diagonal cutting pliers
- 1 PC 6" Bent nose pliers
- 1PC 10" Water pump pliers
- 1PC 300g Machinist hammer
- 6PC Punch 2, 3, 4, 5, 6, 8x150L

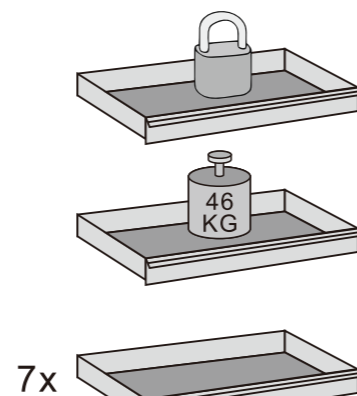
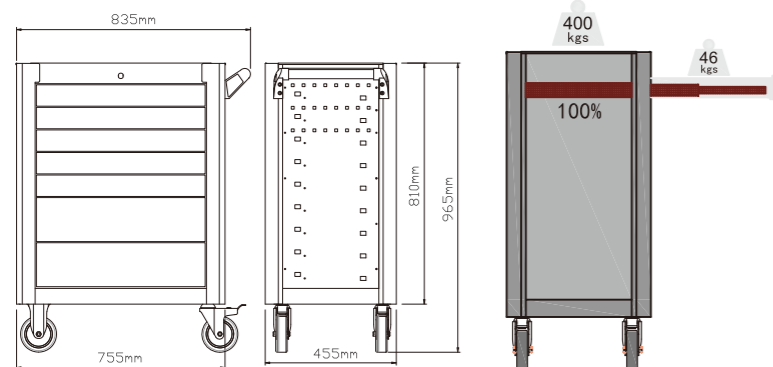


# Tool Cabinet

**GTT204**



- Tool trolley set for fast repair.
- Meeting general maintenance and replacement of spare parts



## GES204A 127 PCS Socket Tools

- 20 PCS 1/2" Socket: 8, 9, 10, 11, 12, 13, 14, 15, 16, 17, 18, 19, 20, 21, 22, 23, 24, 27, 30, 32MM
- 9 PCS 1/2" Deep Socket: 13, 14, 15, 16, 17, 18, 19, 21, 22MM
- 12 PCS 3/8" Socket: 8, 9, 10, 11, 12, 13, 14, 15, 16, 17, 18, 19MM
- 13 PCS 1/4" Socket: 4, 4.5, 5, 5.5, 6, 7, 8, 9, 10, 11, 12, 13, 14MM
- 3 PCS Ratchet Handle: Professional Quick Ratchet Handle: 1/4", 3/8", 1/2"
- 3 PCS Universal Joint: 1/4", 3/8", 1/2"
- 5 PCS Extension Bar: 1/4"x2", 4", 6"; 3/8"x6"; 1/2"x 5"
- 1 PC L Bar: 1/2"x12" L Bar
- 2 PCS 1/2" Spark Socket: 16, 21MM
- 2 PCS Bit Adapter: 1/2", 3/8"
- 33 PCS H10x30L Bits: H4, 4, 4, 5, 5, 5, 6, 6, 6, 7, 7, 10, 10; T20, 25, 27, 30, 40, 50, 52, 55, 60; T20H, 25H, 30H, 40H, 50H, 55H, 60H; SL6, SL8; PH3, PH4
- 24 PCS H10x75L Bits: H4, 4, 5, 5, 6, 6, 7, 10; M5, 5, 6, 6, 8, 8, 10; T20, 25, 27, 30, 40, 50, 52, 55, 60



## GES204B 60 PCS Comprehensive Tool Set

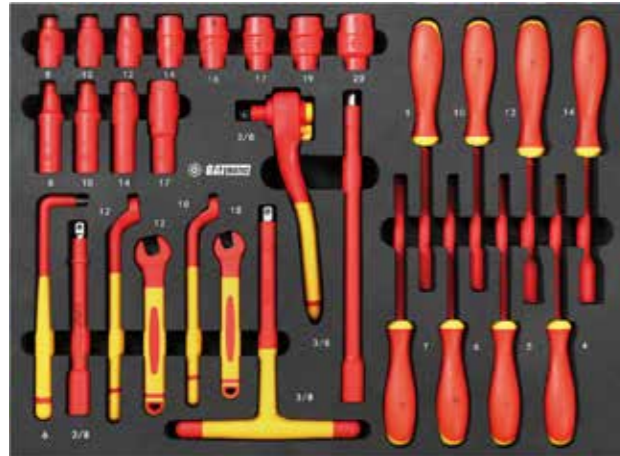
- 22 PCS Metric Combination Wrench: 6, 7, 8, 9, 10, 11, 12, 13, 14, 15, 16, 17, 18, 19, 20, 21, 22, 23, 24, 27, 30, 32MM
- 9 PCS Ball Point Hex Key Set
- 1 PC 10LB Pick Up Tool
- 4 PCS Flare Nut Wrench: 8x9, 10x12, 13x14, 15x17MM
- 1 PC Air Blow Gun
- 5 PCS Punch & Chisel Set
- 1 PC 1/2" Oil filter Wrench
- 13 PCS Feeler
- 1 PC 8" Adjustable Wrench
- 3 PCS Accessories: Valve Wrench, Voltage Tester, Utility Knife with 3 PCS Blade



## GES204C 17 PCS Pliers & Screwdriver Set

- 9 PCS Pliers: 4PC 7" Snap Ring pliers, 1 PC 6" Diagonal Pliers, 1 PC 6" Long Nose Pliers, 1 PC 7" Combination Pliers, 1 PC 8" Slip joint Pliers, 1 PC 10" Locking Pliers
- 8 PCS Screwdriver: SL6x38, SL3x75, SL5x100, SL6x150, PH2x38, PH0x75, PH1x100, PH2x150MM





**GIES310A** 29 PCS Insulated Tool Set

- 2PCS Insulated Open End Wrench 10-12MM
- 2PCS 2pcs Insulated Ring End Wrench 10/12MM
- 1PC Hex Key Wrench
- 4PCS 3/8" Insulated 6-PT Long Socket 8,10,14,17MM
- 8PCS Insulated 6-PT Socket 8, 10, 12, 14, 16 ,17, 19, 20MM
- 8PCS Insulated 6-PT Socket Bits: 4, 5, 6, 7, 9, 10, 12, 14MM
- 3PCS Insulated Accessories: 3/8"extension bar 9MM, 3/8"extension bar 165MM, 3/8"extension bar 270MM
- 1PC 3/8" Insulated Ratchet Wrench



**GIES310B** 22 PCS Insulated Tool Set

- 8PCS Insulated Phillips Screwdriver: PH0\*50, PH0\*60, PH1\*75, PH1\*100, PH2\*125, PH2\*150, PH3\*200, PH3\*250MM
- 8PCS Insulated Slotted Screwdriver: 3\*50, 3\*75, 4\*100, 5\*75, 6\*125, 6\*150, 8\*200, 9\*250MM
- 1PC Test Pencil
- 5PCS Insulated Pliers: 6" Combination Pliers , 6" Long Nose Pliers , 6" Diagonal Cutting Pliers , Scissors, 6" Stripper Pliers



**GIES094A** 20 PCS Insulated Tool Set

- 15PCS 1/2" Insulated Socket: 10, 11, 12, 13, 14, 15, 16, 17, 18, 19, 20, 21, 22, 23, 24MM
- 1PC 1/2" Insulated Ratchet Wrench L=24CM
- 1PC 1/2" Insulated Short Extension Bar 125MM 140MM
- 1PC 1/2" Insulated Long Extension Bar 250MM 275MM
- 1PC 1/2" Insulated T-handle, 1/2" \* 200mm
- 1PC Insulated Adjustable Wrench 10" 250MM



**GIES094B** 25 PCS Insulated Tool Set

- 1PC Insulated Test Pencil 220V-250V
- 4PCS 3/8" Insulated 6-PT Deep Socket: 8, 10, 14, 17MM , L=8CM
- 10PCS 3/8" Insulated 6-PT Socket: 8, 10, 11, 12, 13, 14, 16, 17, 21, 22MM
- 1PC 3/8" Insulated Long Extension Bar 265MM
- 1PC 3/8" Insulated Short Extension Bar 140MM
- 1PC 3/8" Insulated T-handle
- 1PC 3/8" Insulated Ratchet Wrench
- 1PC Infrared Temperature Gun
- 5PCS Insulated 6-PT T Wrench: 4, 5, 6, 8, 10MM



**GIES094C** 19 PCS Insulated Screwdriver & Plier Tool Set

- 3PCS Insulated Slotted Screwdriver: SL3x75MM, SL4x100MM, SL6x125MM
- 3PCS Insulated Phillips Screwdriver: 1x75MM, 1x100MM, 2x125MM
- 1PC 8" VDE Insulated Long Nose Pliers
- 1PC 6" VDE Insulated Diagonal Pliers
- 1PC 8" VDE Insulated Combination Pliers
- 3PCS Insulated Scissor, Insulated Wire Stripper, Insulated Tape
- 4PCS Interchangeable Insulated Slotted Screwdriver: SL0.6\*3\*100MM, SL0.8\*4.0\*100MM, SL1\*5.5\*100MM, SL1.2\*6.5\*100MM
- 2PCS Interchangeable Insulated phillips Screwdriver: PH1\*100MM, PH2\*100MM
- 1PC Interchangeable Insulated PZ screwdriver: PZ1\*100mm,



**GIES094D** 13 PCS Insulated Box End Wrench Tool Set

- 13PCS Insulated Box End Wrench: 8, 9, 10, 11, 12, 13, 14, 15, 17, 20, 21, 22, 24MM



**GIES094E** 16 PCS Insulated Open End Wrench Tool Set

- 16PCS Insulated Open End Wrench: 8, 9, 10, 11, 12, 13, 14, 15, 16, 17, 18, 19, 20, 21, 22, 24MM



**GIES024** 24 PCS Insulated Socket & Pliers Tool Set

- 11 PCS 12.5mm Insulated Hex Socket: 10mm, 11mm, 12mm, 13mm, 14mm, 15mm, 17mm, 18mm, 19mm, 20mm, 21mm
- 4 PCS 12.5mm Insulated Socket Accessories: Ratchet Wrench, T-handle, Long Extension bar, Short Extension Bar
- 5 PCS 12.5mm Insulated 6PT Bit Sockets: 4mm, 5mm, 6mm, 8mm, 10mm
- 4 PCS 6" Insulated Stripper Pliers , Long Nose Pliers 8", 6" Diagonal Cutting Plier, 8"Combination Pliers

Insulated Tool Set

Insulated Tool Set



**GES204A / 127 PCS Socket Tools**

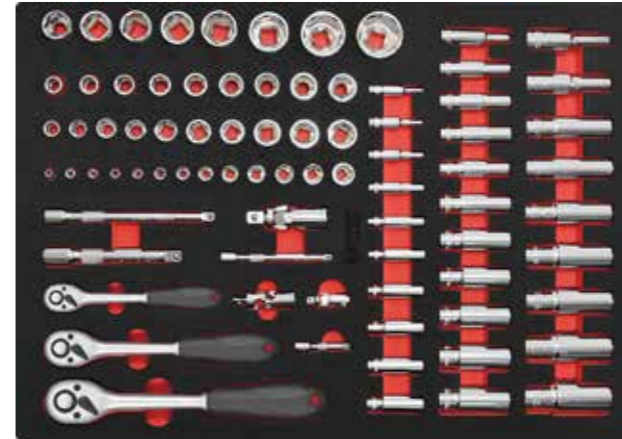
- 20 PCS 1/2" Socket: 8, 9, 10, 11, 12, 13, 14, 15, 16, 17, 18, 19, 20, 21, 22, 23, 24, 27, 30, 32MM
- 9 PCS 1/2" Deep Socket: 13, 14, 15, 16, 17, 18, 19, 21, 22MM
- 12 PCS 3/8" Socket: 8, 9, 10, 11, 12, 13, 14, 15, 16, 17, 18, 19MM
- 13 PCS 1/4" Socket: 4, 4.5, 5, 5.5, 6, 7, 8, 9, 10, 11, 12, 13, 14MM
- 3 PCS Ratchet Handle: Professional Quick Ratchet Handle: 1/4", 3/8", 1/2"
- 3 PCS Universal Joint: 1/4", 3/8", 1/2"
- 5 PCS Extension Bar: 1/4"x2", 4", 6"; 3/8"x6"; 1/2"x 5"
- 1 PC L Bar: 1/2"x12" L Bar
- 2 PCS 1/2" Spark Socket: 16, 21MM
- 2 PCS Bit Adapter: 1/2", 3/8"
- 33 PCS H10x30L Bits: H4, 4, 4, 5, 5, 5, 6, 6, 6, 7, 7, 10, 10; T20, 25, 27, 30, 40, 50, 52, 55, 60; T20H, 25H, 30H, 40H, 50H, 55H, 60H; SL6, SL8; PH3, PH4
- 24 PCS H10x75L Bits: H4, 4, 5, 5, 6, 6, 7, 10; M5, 5, 6, 6, 8, 8, 10; T20, 25, 27, 30, 40, 50, 52, 55, 60

**GES204B / 60 PCS Comprehensive Tool Set**

- 22 PCS Metric Combination Wrench: 6, 7, 8, 9, 10, 11, 12, 13, 14, 15, 16, 17, 18, 19, 20, 21, 22, 23, 24, 27, 30, 32MM
- 9 PCS Ball Point Hex Key Set
- 1 PC 10LB Pick Up Tool
- 4 PCS Flare Nut Wrench: 8x9, 10x12, 13x14, 15x17MM
- 1 PC Air Blow Gun
- 5 PCS Punch & Chisel Set
- 1 PC 1/2" Oil filter Wrench
- 13 PCS Feeler
- 1 PC 8" Adjustable Wrench
- 3 PCS Accessories: Valve Wrench, Voltage Tester, Utility Knife with 3 PCS Blade

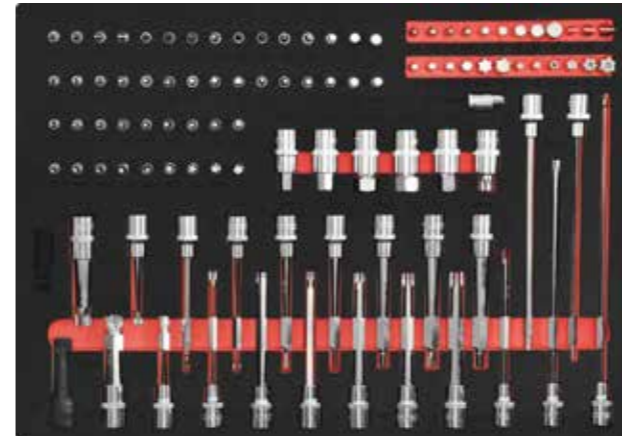
**GES204C / 17 PCS Pliers & Screwdriver Set**

- 9 PCS Pliers: 4PC 7" Snap Ring pliers, 1 PC 6" Diagonal Pliers, 1 PC 6" Long Nose Pliers, 1 PC 7" Combination Pliers, 1 PC 8" Slip joint Pliers, 1 PC 10" Locking Pliers
- 8 PCS Screwdriver: SL6x38, SL3x75, SL5x100, SL6x150, PH2x38, PH0x75, PH1x100, PH2x150MM



**GES233A / 80 PCS Socket Tools**

- 13 PCS 1/4" Dr. Socket: 4, 4.5, 5, 5.5, 6, 7, 8, 9, 10, 11, 12, 13, 14MM
- 10 PCS 3/8" Dr. Socket: 10, 11, 12, 13, 14, 15, 16, 17, 18, 19MM
- 17 PCS 1/2" Dr. Socket: 10, 11, 12, 13, 14, 15, 16, 17, 18, 19, 20, 21, 22, 24, 27, 30, 32MM
- 3 PCS Universal joint: 1/4" & 3/8" & 1/2" Dr.
- 1 PC 1/2" Dr. Extension bar: 125MM
- 1 PC 3/8" Dr. Extension bar: 150MM
- 2 PC 1/4" Dr. Extension bar: 50MM, 100MM
- 10 PC 1/4" Dr. Deep socket: 4, 5, 6, 7, 8, 9, 10, 11, 12, 13MM
- 11 PCS 3/8" Dr. Deep socket: 8, 10, 11, 12, 13, 14, 15, 16, 17, 18, 19MM
- 9 PCS 1/2" Dr. Deep socket: 10, 13, 15, 16, 17, 18, 19, 22, 24MM
- 3 PCS Ratchet handle: 1/4" Dr., 3/8" Dr., 1/2" Dr.



**GES233B / 102 PCS Bits Socket Set**

- 48 PCS 1/4" Dr Bits socket: SL4, 5.5, 6.5, 7MM; H3, 4, 5, 6, 7, 8MM; PH0, 1, 2, 3; M8, 10, 12; PZ0, 1, 2, 3 T8, T9, T10, T15, T20, T25, T27, T30, T40; T8, T9, T10, T15, T20, T25, T27, T30, T40 (with hole); TS10, TS15, TS20, TS25, TS27, TS30, TS40, TS45, TS50 (with hole)
- 28 PCS 1/2" Dr. Bits socket: 8H\*130\*H5; 8H\*205\*H7; 8H\*215\*R8; 8H\*215\*R7; 8H\*275\*T30; 10H\*75\*M9; 17H\*75\*M16; 10H\*75\*R9; 17H\*75\*T80; 14H\*30\*H14; 17H\*30\*H17; 17H\*30\*H19; 17H\*30\*H22; 17H\*30\*H24; 17H\*30\*HM16; 8H\*115\*T40; 8H\*115\*T45; 8H\*115\*T50; 10H\*115\*T55; 12H\*115\*T60; 14H\*115\*T70; 10H\*115\*R10; 10H\*115\*H10; 12H\*115\*H11; 14H\*115\*H13; 10H\*115\*M10; 12H\*115\*M12; 14H\*115\*M14
- 24 PCS 5/16" Dr.\*30MM Bits: SL8, 10, 12MM; PH3, 4; PZ3, 4; T40, T45, T50, T55, T60, T70; T40, T45, T50, T55, T60, T70 (with hole)
- 1 PC 1/2" Dr. Coupler
- 1 PC 1/2" Dr. Impact socket: M12



**GES233C / 13 PCS Wrench Set**

- 13 PCS Gear Wrench: 8, 9, 10, 11, 12, 13, 14, 15, 16, 17, 19, 21, 22MM



**GES233D / 21 PCS Screwdriver Set**

- 8 PCS Go though Screwdriver: SL6\*38MM; SL5\*75MM; SL6\*100MM; SL8\*150MM; PH2\*38MM; PH1\*75MM; PH2\*100MM; PH3\*150MM
- 11 PCS Screwdriver: T6, 7, 8, 9, 10\*3\*100MM; T15, 20\*5\*100MM; T25, 27, 30\*6\*100MM T40\*8\*150MM
- 2 PCS Precision screwdriver

EVA Tool Set

EVA Tool Set





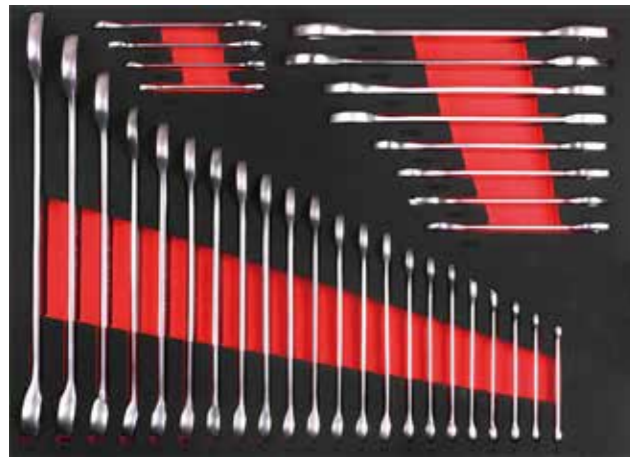
**GES233E 16 PCS Screwdriver Set**

- 4PCS 6" Circlip pliers
- 1 PC 6" Combination pliers
- 1 PC 6" Long nose pliers
- 1 PC 6" Diagonal cutting pliers
- 1 PC 6" Bent nose pliers
- 1PC 10" Water pump pliers
- 1PC 300g Machinist hammer
- 6PC Punch 2, 3, 4, 5, 6, 8x150L



**GES239A 136 PCS Socket Tools**

- 20 PCS 1/2" 6-PT Socket set: 8, 9, 10, 11, 12, 13, 14, 15, 16, 17, 18, 19, 20, 21, 22, 23, 24, 27, 30, 32MM
- 23 PCS 1/4" Socket Bits: SL4, SL5.5, SL7; PH1, PH2, PH3, PZ1, PZ2, PZ3; H3, H4, H5, H6, H7, H8; T10, T15, T20, T25, T27, T30, T40
- 8 PCS 1/2"DR. Deep Sockets: 10, 12, 14, 16, 17, 19, 22, 24MM
- 3 PCS Ratchet Handle: 1/4", 3/8", 1/2"
- 3 PCS Extension Bar: 1/4"x 4", 6"; 1/2"x10"
- 4 PCS Accessories: 1 PC 1/2" 3-Way Adaptor; 1 PC 1/4" Spinner Handle; 1 PC 1/4" Sliding Bar; 1 PC 1/2"x12" L Bar
- 8 PCS 3/8"DR.E Socket: E8, E10, E11, E12, E14, E16, E18, E20
- 13 PCS 1/4"DR.Socket: 4, 4.5, 5, 5.5, 6, 7, 8, 9, 10, 11, 12, 13, 14MM
- 10 PCS 1/4"DR.Deep Socket: 4, 5, 6, 7, 8, 9, 10, 11, 12, 13MM
- 3 PCS Universal Joint: 1/4", 3/8", 1/2"
- 3 PCS Bits Adaptor: 1/4", 3/8", 1/2"
- 19 PCS H10x30L Bits: H4, 4, 5, 5, 6, 7, 10; M5, 5, 6, 8, 10; T20, 25, 30, 40, 50, 55, 60
- 19 PCS H10x75L Bits: H4, 4, 5, 5, 6, 7, 10; M5, 5, 6, 8, 10; T20, 25, 30, 40, 50, 55, 60



**GES239C 34 PCS Wrench Set**

- 22 PCS Combination Wrench: 6, 7, 8, 9, 10, 11, 12, 13, 14, 15, 16, 17, 18, 19, 20, 21, 22, 23, 24, 27, 30, 32MM
- 12 PCS Double Open Wrench: 6x7, 8x9, 10x11, 12x13, 14x15, 16x17, 18x19, 20x22, 21x23, 24x27, 25x28, 30x32MM



**GES239D 53 PCS Comprehensive Tool Set**

- 5 PCS Punch Set
- 5 PCS Screw Extractor
- 13 PCS Feeler
- 1 PC 1/2"xT52 Socket Bit
- 1 PC Valve Wrench
- 2 PCS 1/2" Spark Socket: 16, 21 MM
- 9 PCS Ball Point Hex Key Set
- 9 PCS Torx Hex Key Set
- 8 PCS Accessories: 1 PC Utility Knife with 3 PCS Blade; 1 PC Air Blow Gun; 1 PC 8"Adjustable Wrench; 1 PC 400G Machinist's Hammer; 1 PC Voltage Tester; 1 PC 1.5LB Dead Blow Hammer; 1 PC 10LB Pick Up Tool; 1 PC 1/2"Oil filter Wrench



**GES381A 87 PCS Socket Tools**

- 20 PCS 1/2" 6-PT Socket set: 8, 9, 10, 11, 12, 13, 14, 15, 16, 17, 18, 19, 20, 21, 22, 23, 24, 27, 30, 32MM
- 12 PCS 1/2" 6-PT Deep Socket set: 10, 11, 12, 13, 14, 15, 16, 17, 18, 19, 20, 21MM
- 20 PCS 1/2" 12-PT Socket set: 8, 9, 10, 11, 12, 13, 14, 15, 16, 17, 18, 19, 20, 21, 22, 23, 24, 27, 30, 32MM
- 4 PCS 1/2"DR. Impact Socket: 17, 19, 21, 23MM
- 4 PCS 1/2"Dr. Deep Impact socket: 17, 19, 21, 23MM
- 7 PCS Accessories: 1PC 1/2"Ratchet Handle, 1PC 1/2"x12"L Bar, 2PC 1/2" Extension Bar: 5", 10", 1PC 1/2" Sliding Bar, 1PC 1/2" Universal Joint, 1PC 3/8"x1/2"Socket
- 20 PCS Bits: H6.35x25L Bits



**GES381B 41 PCS Comprehensive Tool Set**

- 9 PCS Ball Point Hex Key Set
- 9 PCS Torx Hex Key Set
- 5 PCS Punch Set
- 5 PCS Screw Extractor
- 1 PC Valve Wrench
- 2 PCS 1/2" Spark Socket: 16, 21 MM
- 2 PCS 1/2"Socket Bits: M9, T52
- 8 PCS Accessories: 1PC Air Blow Gun, 1PC Inflator and Gauge Kit, 1PC Utility Knife with 3 PCS Blade, 1PC 1/2"Oil filter Wrench, 1PC 1.5LB Dead Blow Hammer, 1PC 400g Machinist's Hammer, 1PC 10LB Pick Up Tool, 1PC Voltage Tester



**GES381C 28 PCS Wrench & Screwdriver Set**

- 11 PCS Double Ring Wrench: 6x7, 8x9, 10x11, 12x13, 14x15, 16x17, 18x19, 20x22, 21x23, 24x27, 25x28MM
- 12 PCS L Socket Wrench: 6, 7, 8, 9, 10, 11, 12, 13, 14, 15, 16, 17MM
- 1 PC Adjustable Wrench: 8"
- 4 PCS Screwdriver Set: SL8x150, SL8x175, PH3x150, PH3x175MM



**GES381D 177 PCS Socket Set**

- 10 PCS 1/4"DR. Deep Socket: 4, 5, 6, 7, 8, 9, 10, 11, 12, 13MM
- 23 PCS 1/4"Socket Bits: SL4, SL5.5, SL7, PH1, PH2, PH3, PZ1, PZ2, PZ3, H3, H4, H5, H6, H7, H8, T10, T15, T20, T25, T27, T30, T40
- 13 PCS 1/4"DR.Socket: 4, 4.5, 5, 5.5, 6, 7, 8, 9, 10, 11, 12, 13, 14MM
- 6 PCS Extension Bar: 1/4"x2", 4", 6", 3/8"x3", 6", 10"
- 2 PCS Ratchet Wrench: 1/4", 3/8"
- 2PCS Sliding Bar: 1/4", 3/8"
- 1 PC Spinner Handle
- 12 PCS 3/8"DR.Socket: 8, 9, 10, 11, 12, 13, 14, 15, 16, 17, 18, 19MM
- 10 PCS 3/8"DR.Deep Socket: 8, 10, 11, 12, 13, 14, 15, 16, 17, 19MM
- 8 PCS 3/8"DR.E Socket: E8, E10, E11, E12, E14, E16, E18, E20
- 2 PCS Exchange socket: 3/8"x1/2", 3/8"x1/4"
- 2 PCS Universal Joint: 1/4", 3/8"
- 2 PCS Bits Adaptor: 1/4", 3/8"
- 19 PCS H10x30L Bits: H4, 4, 5, 5, 6, 7, 10 M5, 5, 6, 8, 10 T20, 25, 30, 40, 50, 55, 60
- 19 PCS H10x75L Bits: H4, 4, 5, 5, 6, 7, 10 M5, 5, 6, 8, 10 T20, 25, 30, 40, 50, 55, 60
- 26PCS Socket Bits : PH1, PH2, PH3, PZ1, PZ2, PZ3, H3, H4, H5, H6, H8, H10, SL4, SL5.5, SL6.5, T10, T15, T20, T25, T27, T30, T40, T45, T50, T55, T60
- 20 PCS Bits: H6.35x25L Bits



- IEC EN 60900 Certified
- Compatible up to 1000V AC/1500 V DC
- Fully insulated, exceeding international standards.

**7pcs Insulated Tool Set**

■ GITS007



**Hand tool list**

- 1pc 3/8" Insulated Torque Wrench – 5 Nm to 25 Nm
- 1pc 3/8" 8 mm Insulated Deep Socket
- 1pc 3/8" 10mm Insulated Deep Socket
- 1pc 3/8" 12 mm Insulated Deep Socket
- 1pc 3/8" Insulated Ratchet Handle 200 mm (Reversible)
- 1pc 3/8" Insulated T-Handle
- 1pc 3/8" Insulated T25 Torx Bit Socket



- IEC EN 60900 Certified
- Compatible up to 1000V AC/1500 V DC
- Fully insulated, exceeding international standards.

**22pcs Battery Disassemble Tool Set**

■ GITS022



**Hand tool list**

- 3PCS 10mm Insulated Long Socket: 8, 10, 14mm;
- 6PCS 10mm Insulated Socket: 8mm 10mm 12mm 13mm 14mm 17mm
- 2PCS 10mm Insulated Ratchet Wrench, Short Extension Bar
- 6PCS Insulated Ring End Wrench: 8mm 10mm 12mm 13mm 14mm 17mm
- 3PCS Insulated Screwdrivers: PH2\*100mm, SL5.5\*125mm, SL8\*175mm
- 2PCS Insulated Pliers: 6" Long Nose Pliers, 6" Diagonal Cutting Plier



**Blow box size**

- Outer Size: 450\*350\*110mm
- Inner Size: 440\*330\*105mm
- The Narrowest: 290mm



Insulated Tool Set

Insulated Tool Set



GIW-550



Square Drive	1/2"inch
MAX.Torque	550Nm.ft_lb
Free Speed	10000rpm
Capacity Bolt Size	22mm
Air Consumption	267L/min
Air Inlet	1/4"mm
Air Hose	3/8"mm
Weight/pc	1.6kg
Box Packing Qty	10pcs
Box (L*W*H)	36*20.5*37cm

GIW-650R



Square Drive	1/2"inch
MAX.Torque	650Nm.ft_lb
Free Speed	7800rpm
Capacity Bolt Size	24mm
Air Consumption	267L/min
Air Inlet	1/4"mm
Air Hose	3/8"mm
Weight/pc	2.55kg
Box Packing Qty	10pcs
Box (L*W*H)	44.5*42.5*25cm

GIW-850



Square Drive	1/2"inch
MAX.Torque	850Nm.ft_lb
Free Speed	7500rpm
Capacity Bolt Size	24mm
Air Consumption	273L/min
Air Inlet	1/4"mm
Air Hose	3/8"mm
Weight/pc	2.2kg
Box Packing Qty	10pcs
Box (L*W*H)	44.5*42.5*25cm



GEW-350



Power	600W
Battery Capacity	15000mAh/each battery
Weight	1.5kg(without packaging)
No-Load Speed	0-1800rpm
Frequency	0-2200BPM
Drive	1/2"
Voltage	21V DC
Motor	Brushless Motor
Maximum Torque Value	350Nm

GEW-600



Power	700W
Battery Capacity	15000mAh/each battery
Weight	1.7kg(without packaging)
No-Load Speed	1400rpm. 2200rpm.2600rpm
Frequency	1500BPM.2000BPM.2800BPM
Drive	1/2"
Voltage	21V DC
Motor	Brushless Motor
Maximum Torque Value	600Nm

GEW-800



Power	800W
Battery Capacity	15000mAh/each battery
Weight	1.9kg(without packaging)
No-Load Speed	1400rpm.1900rpm.2400rpm
Frequency	1500BPM.1800BPM.2300BPM
Drive	1/2"
Voltage	21V DC
Motor	Brushless Motor
Maximum Torque Value	800Nm



**Adjustable Torque Wrench**



- Tool Locking Up Pressing Device
- Positive & Negative Adjustment Switch Lever
- Torque Release Point (Click Sound)
- Laser Torque Integer Reading Value
- Laser Torque Score Reading Value
- Aluminum Alloy Handle
- Factory Lock Up Torque Correction Point

Consumables, Lifetime maintenance of accessories

Item NO.	Head	N.M	Precision	Length (MM)	Diameter (MM)
GTW801	1/4"	1-6N.m	±3%	210	26
GTW802	1/4"	5-25N.m	±3%	255	26
GTW803	3/8"	5-25N.m	±3%	255	26
GTW804	3/8"	10-60N.m	±3%	320	26
GTW805	3/8"	20-120N.m	±3%	320	26
GTW806	1/2"	10-60N.m	±3%	430	35
GTW807	1/2"	20-120N.m	±3%	450	35
GTW808	1/2"	40-220N.m	±3%	540	35
GTW809	1/2"	60-330N.m	±3%	595	35
GTW810	3/4"	100-600N.m	±3%	1000	42
GTW811	3/4"	200-800N.m	±3%	1200	42
GTW812	1"	480-1200N.m	±3%	1800	42
GTW813	1"	480-1500N.m	±3%	1800	42

**Digital Torque Wrench**



- Reading value of digital display torque
- Accuracy of ± 2% by clockwise and ± 2.5% by counterclockwise
- It can be operated by both clockwise and counterclockwise
- Peak hold and real time mode
- Buzzer and LCD indication (when the torque value is pre-set)
- Four kinds of units: N.m □ in.lb □ ft.lb □ kgf.cm
- 100 groups of recorded values can be stored
- Automatic shutdown in 5 minutes

Consumables, Lifetime maintenance of accessories

Item NO.	Head	N.M	Precision	Length (MM)	Life Time Test
GDW901	1/4"	0.5-10N.m	□ 2%	390	10,000
GDW902	1/4"	1.5-30N.m	□ 2%	390	10,000
GDW903	3/8"	1.5-30N.m	□ 2%	420	10,000
GDW904	3/8"	2-60N.m	□ 2%	420	10,000
GDW905	3/8"	6.75-135N.m	□ 2%	420	10,000
GDW906	1/2"	6.75-135N.m	□ 2%	655	10,000
GDW907	1/2"	10-200N.m	□ 2%	655	10,000
GDW908	1/2"	17-340N.m	□ 2%	655	10,000
GDW909	3/4"	25-500N.m	□ 2.5%	N/A	10,000
GDW910	3/4"	42.5-850N.m	±2.5%	N/A	10,000



Insulated Tool Set