



Website
公司网站



World Quality Zhejiang Made
世界品质 浙江制造



Harmonious team
和谐团队



Excellent quality
精进品质



Based on good faith
诚信立足



Go far with innovation
创新致远

ZHEJIANG TIANYUE AUTOMOBILE PARTS CO., LTD.

浙江天岳汽车电器有限公司
DOOR LOCK ACTUATOR & TAILGATE LOCK

地址：浙江省瑞安市塘下镇韩田沿河北路3号

Add: 3RD THE NORTH YANHE ROAD TANGXIA TOWN RUIAN CITY ZHEJIANG CHINA

Tel: 0086-577-65397720 Fax: 0086-577-65356126

E-mail: hong@tian-yue.com petershu@tian-yue.com

Mobile & WeChat: 0086-15967705882

Web: www.tian-yue.com

ZHEJIANG TIANYUE
AUTOMOBILE PARTS CO., LTD.

浙江天岳汽车电器有限公司


www.tian-yue.com




BRIEF INTRODUCTION

企业简介

 Since 1984
Professional Manufacturer
专业制造商

 2 R&D Manufacturing Base
研发基地
Zhejiang Tianyue & Jiangxi Tianyue
浙江天岳 & 江西天岳

 10000 m²
Covering Area
占地面积

 150+
Staff
员工

Zhejiang Tianyue Automobile Parts Co., Ltd. was found in 1984, The company sticks to the spirit of science innovation, self research & development, continuous development and progress. At Present, the company has successfully developed into a professional manufacturer of serial Automobile Door Lock Actuator & Tailgate locks.

R&D CENTER:

With the capability of Design, Trial-Run, and Analysis (CAD, CAM, CAE), the company could cooperate and communicate with customers, and provide technical actions; With the capability of design Injection Molding Die, Casting Die and stamping Die, the Company could timely and precisely guarantee product development.

TEST CENTER:

The company is equipped with systematical equipments and gages; it could provide precise data for new product and control the product quality.

MANUFACTURING TECHNOLOGY:

The company owns numerical controlled machines with capability of Injection, Casting, Stamping, and Painting, which guarantee the part quality & decrease the cost.

QUALITY SYSTEM:

The company implements IATF16949:2006 systems, which control the part quality and make continuous progress, and provide customers the best quality with the most competitive price.

浙江天岳汽车电器有限公司始创于1984年，企业以科技创新、自主研发、持续发展、开拓进取之精神。目前，企业已发展成为拥有专业制造汽车电动门锁系列产品生产能力的公司，并形成了优势技术资源整合与综合利用的研发、制造、销售的产业集群。

研发中心:

集设计、试制、分析评价 (CAD、CAM、CAE) 综合为一体，参与客户合作交流，提供应用技术看案；注塑、压铸冲制模具自主设计制造，为精确、快速的产品开发提供技术保证。

测试中心:

全套性能和环境可靠性试验设备，为新品标准试验提供准确的数据支撑，对批产产品进行品质监控。

制造技术:

具备先进的数控机加工、注塑、压铸、冲压拉伸、电泳喷塑等基础加工和专业制造工艺设备，为规模生产优质产品和成本改善提供生产保证。

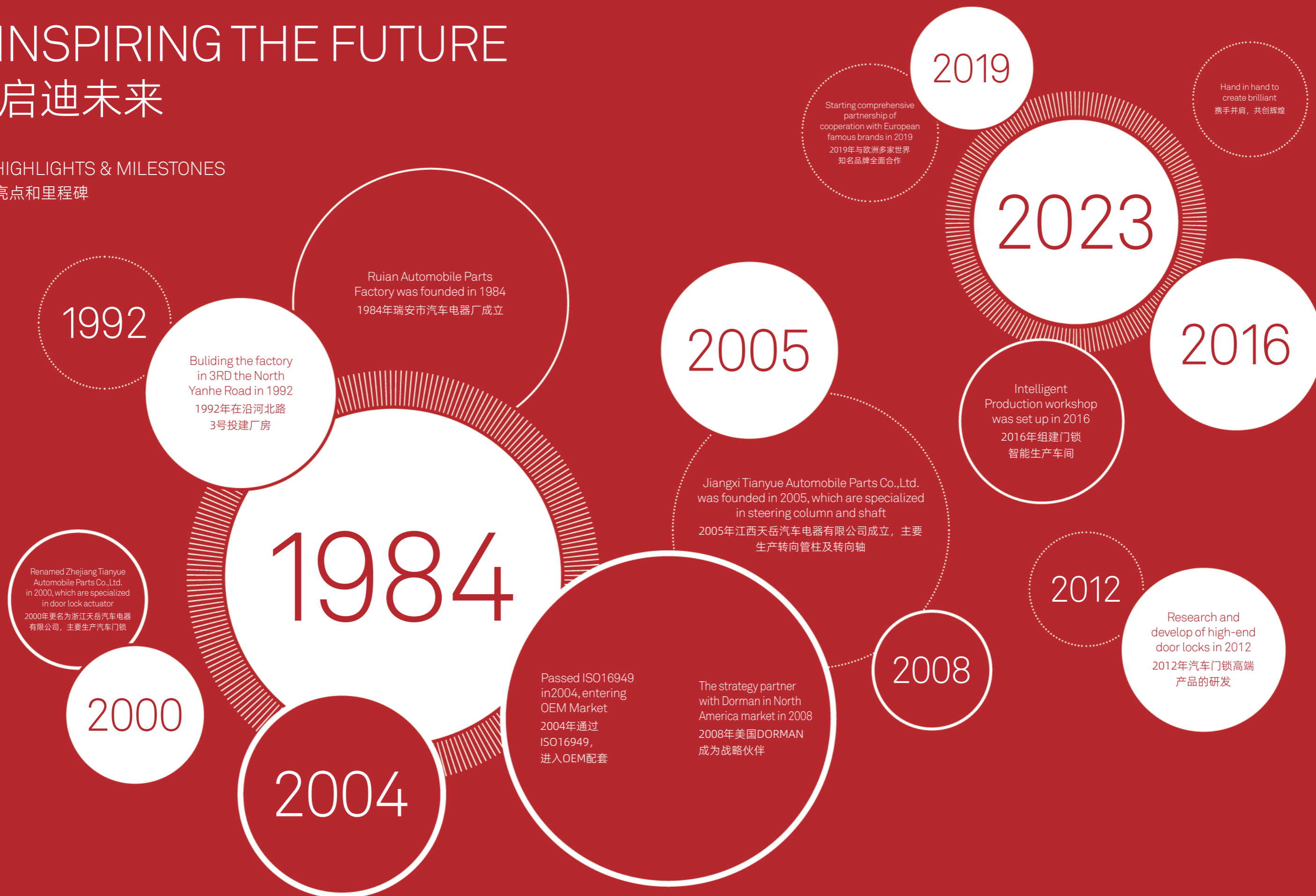
质量体系:

IATF16949:2006体系的有效运行，对产品质量过程控制和持续改进，为顾客提供完美价值的产品。



INSPIRING THE FUTURE 启迪未来

HIGHLIGHTS & MILESTONES 亮点和里程碑



OEM

QUALITY & BEST SERVICE

OEM品质，一流服务

High quality products and good reputation enable Tianyue hold a batch of stable customers all over the world.
Sincerity and cooperation, Tianyue's concept of marketing and service is not only the product itself, but also the idea of its long term development and the reflection of its social value, etc.
An outstanding engineer team provides Tianyue a strong technical assurance.

优质的产品和良好的信誉，使天岳在全球拥有很多固定客户。
真诚与合作，天岳的营销服务观念已经远远超越了产品的本身，还包括对公司长远发展的思考以及社会价值的体现等诸多范畴。
优秀的工程师团队，为天岳提供了强有力的技术保证。



27

Tianyue has more than 27 active patents, including 2 patents for invention

天岳拥有超过27项专利，其中包含2项发明专利



8000

In more than 8000 engineering hours per year the future innovations are created

从每年超过8000小时的实验中成就出了明日创新



1.5

The static strength of a Tianyue latch is up to 1.5 tons

每把天岳门锁都必须通过1.5吨的斯拉力试验



30-120

30-120 thousand times durability test ensure that every latch is a safe latch

3-12万次耐久测试创造出了安全门锁



-40°C to 80°C

The functionality of a Tianyue latch is guaranteed over the entire temperature range of -40°C to 80°C

每把天岳门锁都能确保-40°C到80°C温度范围的功能要求



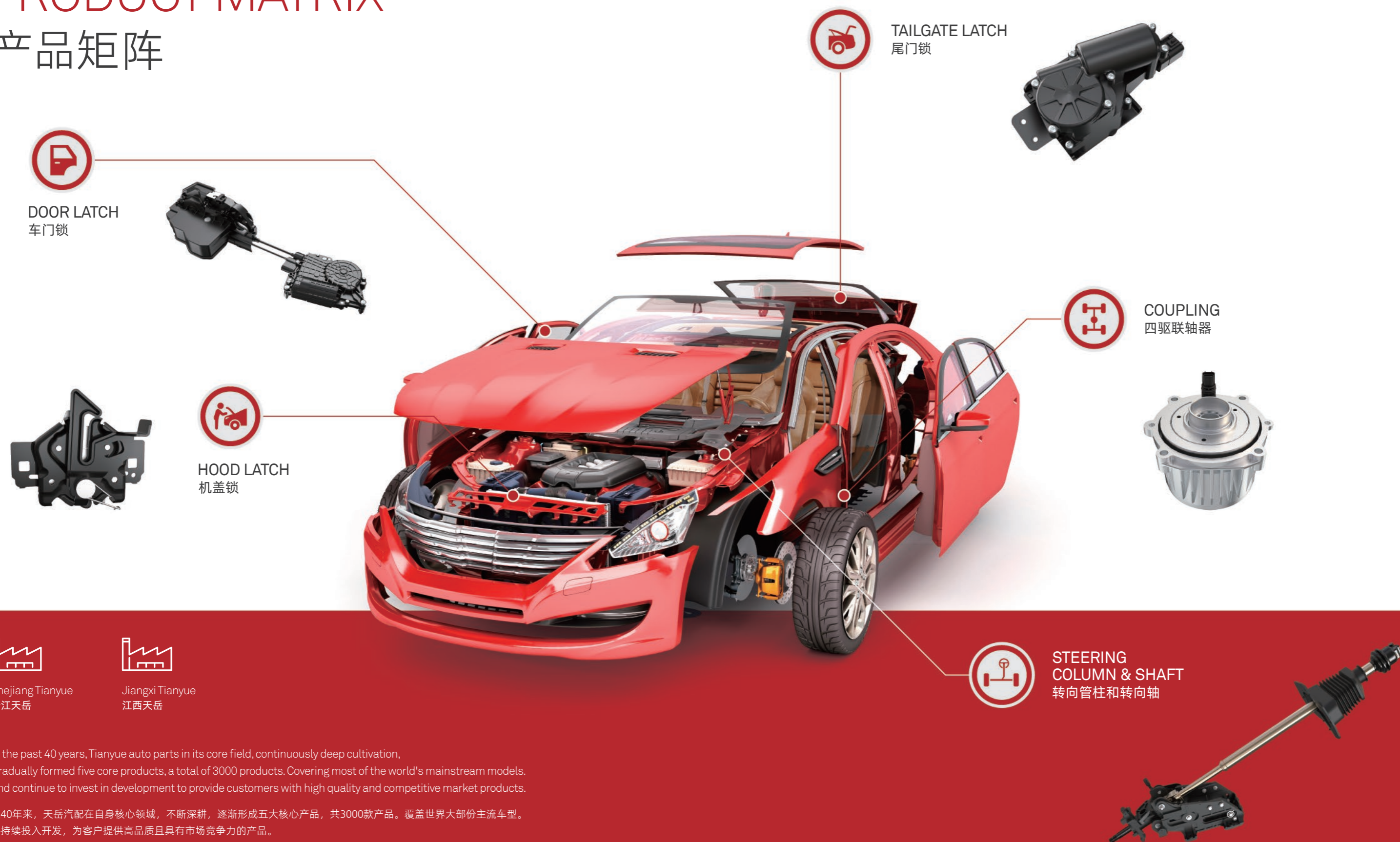
800+

Tianyue offers approximately 800 variants of serial latches

天岳提供大约800多种系列门锁

PRODUCT MATRIX

产品矩阵



Zhejiang Tianyue
浙江天岳



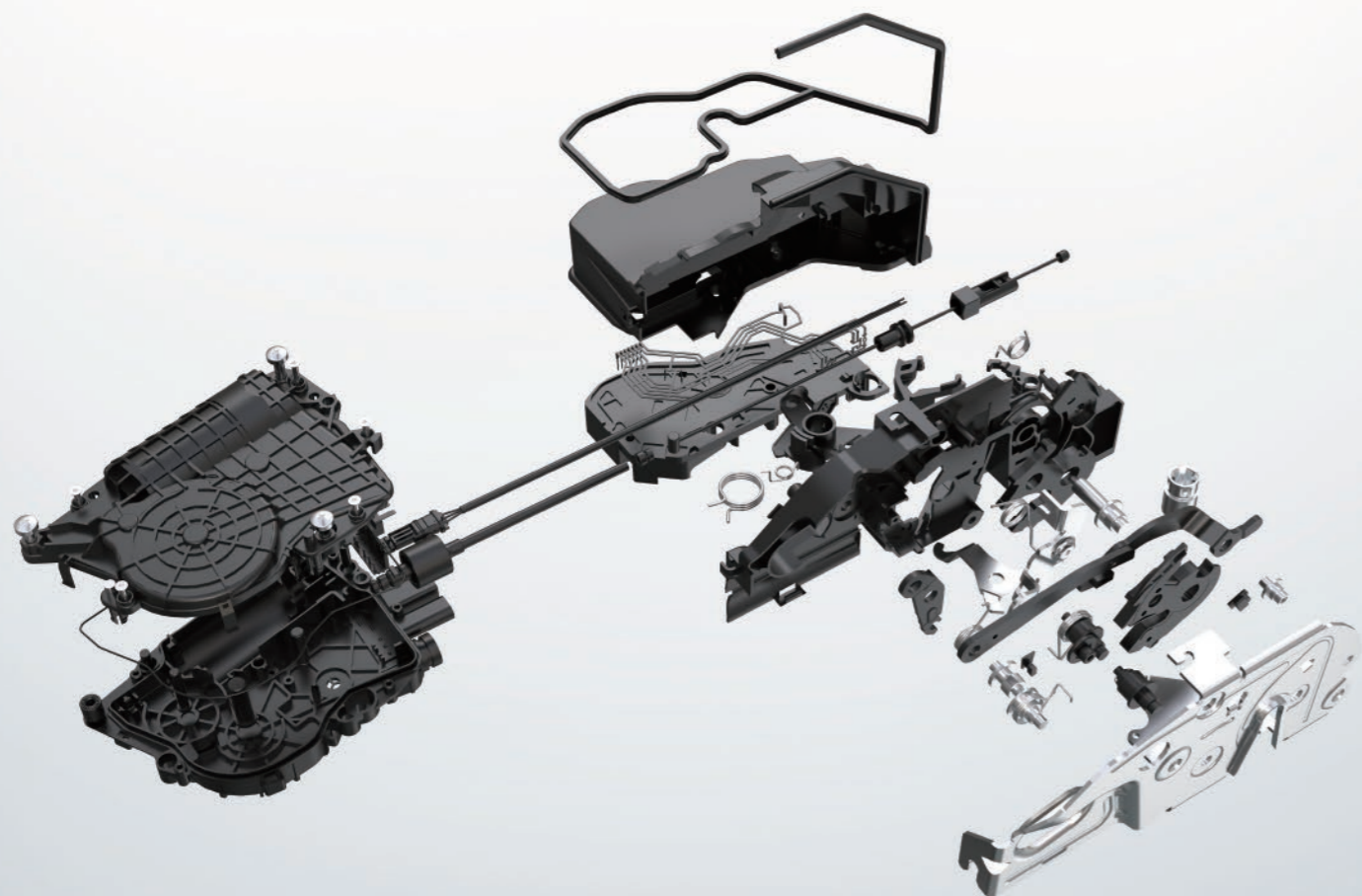
Jiangxi Tianyue
江西天岳

In the past 40 years, Tianyue auto parts in its core field, continuously deep cultivation, Gradually formed five core products, a total of 3000 products. Covering most of the world's mainstream models. And continue to invest in development to provide customers with high quality and competitive market products.

近40年来，天岳汽配在自身核心领域，不断深耕，逐渐形成五大核心产品，共3000款产品。覆盖世界大部份主流车型。并持续投入开发，为客户提供高品质且具有市场竞争力的产品。

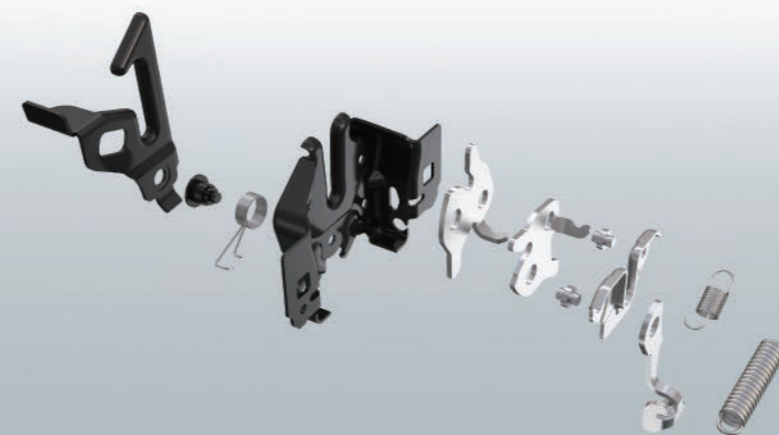
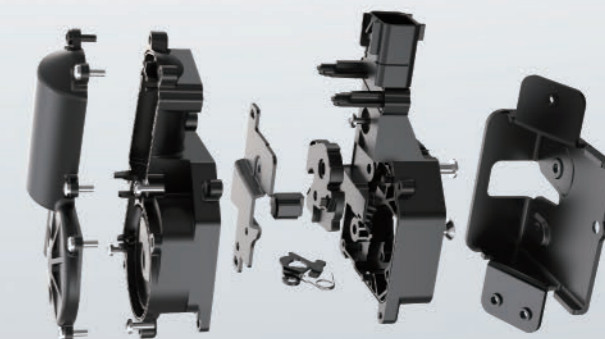
DOOR LATCH

车门锁



TAILGATE LATCH

尾门锁



HOOD LATCH

机盖锁

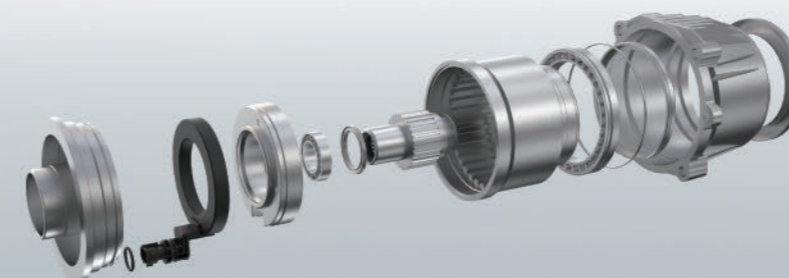
STEERING COLUMN & SHAFT

转向管柱和转向轴



The survival and development of enterprises need to rely on technological development, and the core expertise brought by continuous technological innovation will be our leading position in the fierce market competition in the future. We use the latest technology and craftsmanship perfected by our professionals, and the prerequisite for mastering technology is understanding technology. As a full-service provider, We take every job seriously and never slacken, from mold management and parts production, precise injection molding process to assembly management mode.

企业的生存和发展需要依靠技术发展，通过不断的技术创新所带来的核心专长，将是我们未来激烈市场竞争中领先地位。我们使用的是经我们专业人员完善的最新技术和工艺，掌握技术的前提是了解技术。作为一家提供全方位服务的供应商，我们认真对待每一项工作，从不懈怠；从模具管理和零部件生产，精密的注塑工艺，到精益化的装配管理模式。



COUPLING

四驱联轴器

ME-001



OE: 51217202143

POSITIONS: Front Left

APPLICATION SUMMARY:
BMW 2016-03

ME-002



OE: 51217202146

POSITIONS: Front Right

APPLICATION SUMMARY:
BMW 2016-03

ME-003



OE: 51217229455, 51217229461

POSITIONS: Front Left

APPLICATION SUMMARY:
BMW 2016-05

ME-004



OE: 51217229458

POSITIONS: Front Right

APPLICATION SUMMARY:
BMW 2016-05

ME-013



OE: 51217148475, 51215A36E13

POSITIONS: Front Left

APPLICATION SUMMARY:
BMW 5 GT (F07) 2010-2013
5 GT (F07 LCI) 2014-So far

ME-014



OE: 51217149436, 51215A36F00

POSITIONS: Front Right

APPLICATION SUMMARY:
BMW 5 GT (F07) 2010-2013
5 GT (F07 LCI) 2014-So far

ME-015



OE: 51227149447, 51215A36F25

POSITIONS: Rear Left

APPLICATION SUMMARY:
BMW 5 GT (F07) 2010-2013
5 GT (F07 LCI) 2014-So far

ME-016



OE: 51227149448, 51215A36F26

POSITIONS: Rear Right

APPLICATION SUMMARY:
BMW 5 GT (F07) 2010-2013
5 GT (F07 LCI) 2014-So far

ME-005



OE: 51227229459

POSITIONS: Rear Left

APPLICATION SUMMARY:
BMW 2016-05
Mini 2018-11

ME-006



OE: 51227229460

POSITIONS: Rear Right

APPLICATION SUMMARY:
BMW 2016-05
Mini 2018-11

ME-007



OE: 51227202147

POSITIONS: Rear Left

APPLICATION SUMMARY:
BMW 2016-03
Mini 2018-11

ME-008



OE: 51227202148

POSITIONS: Rear Right

APPLICATION SUMMARY:
BMW 2016-03
Mini 2018-11

ME-017



OE: 51217315019, 51215A36E75

POSITIONS: Front Left

APPLICATION SUMMARY:
BMW X5 (E70) 2007-2013
X5 (E70 LCI) 2011-2013
X6 (E71) 2008-2014
X6 (E72) 2010-2011

ME-018



OE: 51217315022, 51215A36E84

POSITIONS: Front Right

APPLICATION SUMMARY:
BMW X5 (E70) 2007-2013
X5 (E70 LCI) 2011-2013
X6 (E71) 2008-2014
X6 (E72) 2010-2011

ME-019



OE: 51227315023, 51225A36E85

POSITIONS: Rear Left

APPLICATION SUMMARY:
BMW X5 (E70) 2007-2013
X5 (E70 LCI) 2011-2013
X6 (E71) 2008-2014
X6 (E72) 2010-2011

ME-020



OE: 51227315024, 51225A36E86

POSITIONS: Rear Right

APPLICATION SUMMARY:
BMW X5 (E70) 2007-2013
X5 (E70 LCI) 2011-2013
X6 (E71) 2008-2014
X6 (E72) 2010-2011

ME-009



OE: 51217185689, 51217154517
51215A36E17

POSITIONS: Front Left

APPLICATION SUMMARY:
BMW 5 (F18) 2011-2013, 5 (F18 LCI) 2014-2017
5 Sedan (F10) 2010-2016
5 Sedan (F10 LCI) 2014-2016
5 (F11) 2012-2013, 5 Travel (F11 LCI) 2014-So far
7 (F02) 2009-2012, 7 (F02 LCI) 2013-2015
7 (F04) 2010-2011

ME-010



OE: 51217185692, 51217155154
51215A36E22

POSITIONS: Front Right

APPLICATION SUMMARY:
BMW 5 (F18) 2011-2013, 5 (F18 LCI) 2014-2017
5 Sedan (F10) 2010-2016
5 Sedan (F10 LCI) 2014-2016
5 Travel (F11) 2012-2013
5 Travel (F11 LCI) 2014-So far, 7 (F02) 2009-2012
7 (F02 LCI) 2013-2015, 7 (F04) 2010-2011

ME-011



OE: 51227185687, 51225A36E15

POSITIONS: Rear Left

APPLICATION SUMMARY:
BMW 7 (F02) 2009-2012
7 (F02 LCI) 2013-2015
7 (F04) 2010-2011

ME-012



OE: 51227185688, 51225A36E16

POSITIONS: Rear Right

APPLICATION SUMMARY:
BMW 7 (F02) 2009-2012
7 (F02 LCI) 2013-2015
7 (F04) 2010-2011

ME-025



OE: 51217276319, 51215A36E47

POSITIONS: Front Left

APPLICATION SUMMARY:
6/F06 Gran Coupe 2011-2014
6/F06 Gran Coupe LCI 2015-So far

ME-026



OE: 51217276544, 51215A36E54

POSITIONS: Front Right

APPLICATION SUMMARY:
6/F06 Gran Coupe 2011-2014
6/F06 Gran Coupe LCI 2015-So far

ME-027



OE: 51227276321, 51225A36E51

POSITIONS: Rear Left

APPLICATION SUMMARY:
6/F06 Gran Coupe 2011-2014
6/F06 Gran Coupe LCI 2015-So far

ME-028



OE: 51227276322, 51225A36E52

POSITIONS: Rear Right

APPLICATION SUMMARY:
6/F06 Gran Coupe 2011-2014
6/F06 Gran Coupe LCI 2015-So far

ME-029



OE: 51227154515, 51215A36F23

POSITIONS: Rear Left

APPLICATION SUMMARY:
BMW 5 (F18 LCI) 2014-2017
5 Sedan (F10) 2010-2016
5 Sedan (F10 LCI) 2014-2016
5 Travel (F11) 2012-2013
5 Travel (F11 LCI) 2014-So far

ME-030



OE: 51227154516, 51215A36F24

POSITIONS: Rear Right

APPLICATION SUMMARY:
BMW 5 (F18 LCI) 2014-2017
5 Sedan (F10) 2010-2016
5 Sedan (F10 LCI) 2014-2016
5 Travel (F11) 2012-2013
5 Travel (F11 LCI) 2015-So far

ME-101



OE: 51217202145

POSITIONS: Front Left

APPLICATION SUMMARY:
BMW 2019-05
Mini 2019-11

ME-102



OE: 51217202144

POSITIONS: Front Right

APPLICATION SUMMARY:
BMW 2019-05
Mini 2019-11

ME-103



OE: 51217185691

POSITIONS: Front Left

APPLICATION SUMMARY:
5/F10, 5/F10 LCI, 5/F11, 5/F11 LCI
5/F18, 5/F18 LCI, 7/F01, 7/F01 LCI
7/F02, 7/F02 LCI, 7/F04 Hybrid

ME-104



OE: 51217185690

POSITIONS: Front Right

APPLICATION SUMMARY:
5/F10, 5/F10 LCI, 5/F11, 5/F11 LCI
5/F18, 5/F18 LCI, 7/F01, 7/F01 LCI
7/F02, 7/F02 LCI, 7/F04 Hybrid

ME-105



OE: 51217149435

POSITIONS: Front Left

APPLICATION SUMMARY:
5/F07 GT
5/F07 GT LCI

ME-106



OE: 51217148476

POSITIONS: Front Right

APPLICATION SUMMARY:
5/F07 GT
5/F07 GT LCI

ME-107



OE: 51217167581

POSITIONS: Front Left

APPLICATION SUMMARY:
X5/E70
X5/E70 LCI
X6/E71
X6/E72 Hybrid

ME-108



OE: 51217167580

POSITIONS: Front Right

APPLICATION SUMMARY:
X5/E70
X5/E70 LCI
X6/E71
X6/E72 Hybrid

ME-109



OE: 51217276543

POSITIONS: Front Left

APPLICATION SUMMARY:
6/F06 Gran Coupe 2011-2014
6/F06 Gran Coupe LCI 2015-So far

ME-110



OE: 51217276320

POSITIONS: Front Right

APPLICATION SUMMARY:
6/F06 Gran Coupe 2011-2014
6/F06 Gran Coupe LCI 2015-So far

MD-001



OE: 51217011241

POSITIONS: Front Left

APPLICATION SUMMARY:
BMW 325i 2006-99
BMW 325xi 2005-01
BMW 330i 2005-01
BMW 330xi 2005-01

MD-002



OE: 51217011244

POSITIONS: Front Right

APPLICATION SUMMARY:
BMW 325i 2006-99
BMW 325xi 2005-01
BMW 330i 2005-01
BMW 330xi 2005-01

MD-003



OE: 51227011245

POSITIONS: Rear Left

APPLICATION SUMMARY:
BMW 325i 2006-99
BMW 325xi 2005-01
BMW 330i 2005-01
BMW 330xi 2005-01

MD-004



OE: 51227011246

POSITIONS: Rear Right

APPLICATION SUMMARY:
BMW 325i 2006-99
BMW 325xi 2005-01
BMW 330i 2005-01
BMW 330xi 2005-01

MG-001



OE: 51217011247

POSITIONS: Front Left

APPLICATION SUMMARY:
BMW 325Ci 2006-01
BMW 330Ci 2006-01
BMW M3 2006-01

MG-002



OE: 51217011250

POSITIONS: Front Right

APPLICATION SUMMARY:
BMW 325Ci 2006-01
BMW 330Ci 2006-01
BMW M3 2006-01

MG-003



OE: 51218402537

POSITIONS: Front Left

APPLICATION SUMMARY:
BMW X5 2006-00

MG-004



OE: 51218402540

POSITIONS: Front Right

APPLICATION SUMMARY:
BMW X5 2006-00

MG-005



OE: 51228402601

POSITIONS: Rear Left

APPLICATION SUMMARY:
BMW X5 2006-00

MG-006



OE: 51228402602

POSITIONS: Rear Right

APPLICATION SUMMARY:
BMW X5 2006-00

MF-001



OE: 51247840617

POSITIONS: Tailgate

APPLICATION SUMMARY:
BMW 2013-99

ST-001



OE: 51247357112, 51242704105

POSITIONS: Tailgate Latch

APPLICATION SUMMARY:
5/G31, X1/F48, X1/F49
X3/G01, X3/G08, X4/G02
X5/G05

ST-002



OE: 51247441014, 51242700762

POSITIONS: Tailgate Latch

APPLICATION SUMMARY:
BMW 5 (G30) 2018-So far
7 (G12) 2016-2019

ST-003



OE: 51247464411

POSITIONS: Tailgate Latch

APPLICATION SUMMARY:
MINI X2 (F39) 2018-2019, 2019-

ST-004



OE: 51247464415

POSITIONS: Tailgate Latch

APPLICATION SUMMARY:
MINI X2 (F39) 2018-2019, 2019-

ST-005



OE: 51247383282

POSITIONS: Tailgate Latch

APPLICATION SUMMARY:
1' F40, X1 F48/F49 2016-2019

ST-006



OE: 51247383283

POSITIONS: Tailgate Latch

APPLICATION SUMMARY:
2' F44
3' G20/G28
5' G30/G38/F90

ST-051



OE: 51247383561

POSITIONS: Tailgate Latch Actuator

APPLICATION SUMMARY:
BMW 5 (G30) 2018-So far

ST-052



OE: 51247357097

POSITIONS: Tailgate Latch Actuator

APPLICATION SUMMARY:
BMW 7/G11
7/G12 (2016-2019)

ST-053



OE: 51247374006

POSITIONS: Tailgate Latch Actuator

APPLICATION SUMMARY:
X1/F48
X1/F49

ST-055



OE: 51247431076

POSITIONS: Tailgate Latch Actuator

APPLICATION SUMMARY:
X4 G02/F98

ST-056



OE: 51247441630

POSITIONS: Tailgate Latch Actuator

APPLICATION SUMMARY:
X5 (G05)2018-
X7 (G07)2019-

SM-001



OE: 67118372240, 67116988090

POSITIONS: Door Lock Actuator

APPLICATION SUMMARY:
BMW 2003-99

SR-001



OE: 51217281949

POSITIONS: Front Left

APPLICATION SUMMARY:
BMW 5 (G30) 2018-So far, 7 (G12) 2016-2019
X5(F15) 2014-2018, X5 M (F85) 2015-2018
X6 (F16) 2015-So far, X6 M (F86) 2015-So far
5 (G30) 2018-So far, 7 (G12) 2016-2019
X5 (F15) 2014-2018, X5 M (F85) 2015-2018
X6 (F16) 2015-So far, X6 M (F86) 2015-So far

SR-002



OE: 51217281952

POSITIONS: Front Right

APPLICATION SUMMARY:
BMW 5 (G30) 2018-So far
7 (G12) 2016-2019
X5 (F15) 2014-2018
X5 M (F85) 2015-2018
X6 (F16) 2015-So far
X6 M (F86) 2015-So far

SR-003



OE: 51227281957

POSITIONS: Rear Left

APPLICATION SUMMARY:
BMW 5 (G30) 2018-So far
7 (G12) 2016-2019
X5 (F15) 2014-2018
X5 M (F85) 2015-2018
X6 (F16)2015-So far
X6 M (F86) 2015-So far

SR-004



OE: 51227281958

POSITIONS: Rear Right

APPLICATION SUMMARY:
BMW 5 (G30) 2018-So far
7 (G12) 2016-2019
X5 (F15) 2014-2018
X5 M (F85) 2015-2018
X6 (F16) 2015-So far
X6 M (F86) 2015-So far

SR-005



OE: 51217281945

POSITIONS: Front Left

APPLICATION SUMMARY:
BMW 5 (G30)2018-So far
7 (G12)2016-2019
X5 (F15) 2014-2018
X5 M (F85) 2015-2018
X6 (F16) 2015-So far
X6 M (F86) 2015-So far

SR-006



OE: 51217281948

POSITIONS: Front Right

APPLICATION SUMMARY:
BMW 5 (G30)2018-So far
7 (G12)2016-2019
X5 (F15) 2014-2018
X5 M (F85) 2015-2018
X6 (F16) 2015-So far
X6 M (F86) 2015-So far

SR-007



OE: 51227281953

POSITIONS: Rear Left

APPLICATION SUMMARY:
BMW 5 (G30) 2018-So far
7 (G12) 2016-2019
X5 (F15) 2014-2018
X5 M (F85) 2015-2018
X6 (F16) 2015-So far
X6 M (F86) 2015-So far

SR-008



OE: 51227281954

POSITIONS: Rear Right

APPLICATION SUMMARY:
BMW 5 (G30) 2018-So far
7 (G12) 2016-2019
X5 (F15) 2014-2018
X5 M (F85) 2015-2018
X6 (F16) 2015-So far
X6 M (F86) 2015-So far

SR-050



OE: 51217368449

POSITIONS: Front Left

APPLICATION SUMMARY:
BMW 7 (G12) 2016-2019
BMW 7 (G12 LCI) 2019- so far

SR-051



OE: 51217368450

POSITIONS: Front Right

APPLICATION SUMMARY:
BMW 7 (G12) 2016-2019
BMW 7 (G12 LCI) 2019- so far

SR-052



OE: 51227368451

POSITIONS: Rear Left

APPLICATION SUMMARY:
BMW 7 (G12) 2016-2019
BMW 7 (G12 LCI) 2019- so far

SR-053



OE: 51227368452

POSITIONS: Rear Right

APPLICATION SUMMARY:
BMW 7 (G12) 2016-2019
BMW 7 (G12 LCI) 2019- so far

SR-054



OE: 51207419839

POSITIONS: Front Left

APPLICATION SUMMARY:
BMW X5 (F15) 2014-2018
X5 M (F85) 2015-2018
X6 (F16) 2015-So far
X6 M (F86) 2015-So far

SR-055



OE: 51207419840

POSITIONS: Front Right

APPLICATION SUMMARY:
BMW X5 (F15) 2014-2018
X5 M (F85) 2015-2018
X6 (F16) 2015-So far
X6 M (F86) 2015-So far

SR-056



OE: 51207419841

POSITIONS: Rear Left

APPLICATION SUMMARY:
BMW X5 (F15) 2014-2018
X5 M (F85) 2015-2018

SR-057



OE: 51207419842

POSITIONS: Rear Right

APPLICATION SUMMARY:
BMW X5 (F15) 2014-2018
X5 M (F85) 2015-2018

SR-066



OE: 51207419843, 51227388559

POSITIONS: Rear Left

APPLICATION SUMMARY:
X6 (F16) 2014-2019
X6 M (F86) 2015-

SR-067



OE: 51207419844, 51227388560

POSITIONS: Rear Right

APPLICATION SUMMARY:
X6 (F16) 2014-2019
X6 M (F86) 2015-

SR-070



OE: 51227444673

POSITIONS: Rear Left

APPLICATION SUMMARY:
X5/G05

SR-071



OE: 51227444674

POSITIONS: Rear Right

APPLICATION SUMMARY:
X5/G05

SR-101



OE: 51217477709

POSITIONS: Front Left

APPLICATION SUMMARY:
5/G30, 7/G11, 7/G12
X5/F15, X5/MF85
X6/F16, X6/MF86

SR-102



OE: 51217477708

POSITIONS: Front Right

APPLICATION SUMMARY:
5/G30, 7/G11, 7/G12
X5/F15, X5/MF85
X6/F16, X6/MF86

SR-103



OE: 51217477701

POSITIONS: Front Left

APPLICATION SUMMARY:
5/G30, 7/G11, 7/G12
X5/F15, X5/MF85
X6/F16, X6/MF86

SR-104



OE: 51217477700

POSITIONS: Front Right

APPLICATION SUMMARY:
5/G30, 7/G11, 7/G12
X5/F15, X5/MF85
X6/F16, X6/MF86

SK-001



OE: 51247269543

POSITIONS: Tailgate Latch

APPLICATION SUMMARY:
BMW 7 (F02) 2009-2012
7 (F02 LCI) 2013-2015
7 (F04) 2010-2011

SK-002



OE: 51247269544

POSITIONS: Tailgate Latch

APPLICATION SUMMARY:
BMW 5 (F18) 2011-2013
5 Sedan (F10) 2010-2016

SK-051



OE: 51247191213

POSITIONS: Tailgate Latch Actuator

APPLICATION SUMMARY:
BMW 7/F01, 7/F01LCI, 7/F02
7/F02LCI, 7/F04 Hybrid

SK-052



OE: 51247273752

POSITIONS: Tailgate Latch Actuator

APPLICATION SUMMARY:
BMW X4 (F26) 2014-2018

SK-053



OE: 51247249578

POSITIONS: Tailgate Latch Actuator

APPLICATION SUMMARY:
BMW 5GT (F07) 2010-2013
5GT (F07 LCI) 2014-So far

SK-054



OE: 51247361231

POSITIONS: Tailgate Latch Actuator

APPLICATION SUMMARY:
BMW X5 (F15) 2014-2018
X5 M (F85) 2015-2018

SK-055



OE: 51247330648

POSITIONS: Tailgate Latch Actuator

APPLICATION SUMMARY:
BMW X6 (F16) 2015-So far
X6 M (F86) 2015-So far

SK-056



OE: 51247318696

POSITIONS: Tailgate Latch Actuator

APPLICATION SUMMARY:
BMW X6 (F16) 2015-So far
X6 M (F86) 2015-So far

SK-057



OE: 51247303443

POSITIONS: Tailgate Latch Actuator

APPLICATION SUMMARY:
BMW X5 (F15) 2014-2018
X5 M (F85) 2015-2018

SR-102



OE: 51217477708

POSITIONS: Front Right

APPLICATION SUMMARY:
5/G30, 7/G11, 7/G12
X5/F15, X5/MF85
X6/F16, X6/MF86

SR-103



OE: 51217477701

POSITIONS: Front Left

APPLICATION SUMMARY:
5/G30, 7/G11, 7/G12
X5/F15, X5/MF85
X6/F16, X6/MF86

SR-104



OE: 51217477700

POSITIONS: Front Right

APPLICATION SUMMARY:
5/G30, 7/G11, 7/G12
X5/F15, X5/MF85
X6/F16, X6/MF86

SK-001



OE: 51247269543

POSITIONS: Tailgate Latch

APPLICATION SUMMARY:
BMW 7 (F02) 2009-2012
7 (F02 LCI) 2013-2015
7 (F04) 2010-2011

SK-060



OE: 51247348531

POSITIONS: Tailgate Latch Actuator

APPLICATION SUMMARY:
2 (F45) 2016-2018,
2 (F45 LCI) 2019-
2 MPV (F46 LCI) 2018-

SK-061



OE: 51247269516

POSITIONS: Tailgate Latch Actuator

APPLICATION SUMMARY:
3 GT (F34) 2013-2016
3 GT (F34 LCI) 2016-
3 (F31) 2013-2015
3 (F31 LCI) 2016-2017
4 GC (F36) 2015-2017

JK-001



OE: 51247191212, 51244825342

POSITIONS: Tailgate Latch

APPLICATION SUMMARY:
3/F30LCI, 3/F80 M3, 3/F80 M3 LCI
3/F35LCI, 4/F32LCI, 4/F82 M4 LCI
5/F10, 5/F10LCI, 5/F18, 5/F18LCI
6/F06 Gran CouPe, 6/F06 Gran CouPe LCI
6/F12, 6/F12 LCI, 6/F13, 6/F13 LCI

JK-002



OE: 51247233025

POSITIONS: Tailgate Latch

APPLICATION SUMMARY:
4GC (F36) 2015-2017
X3 (F25) 2011-2017

JK-003



OE: 51247200511

POSITIONS: Tailgate Latch

APPLICATION SUMMARY:
3' F31
X1 (E84) 2010-2016

JP-001



OE: 51247308849

POSITIONS: Tailgate Latch

APPLICATION SUMMARY:
X5 (E70) 2007-2013
X5 (E70 LCI) 2011-2013

JO-001



OE: 51247248075

POSITIONS: Tailgate Latch

APPLICATION SUMMARY:
BMW 1 (F20) 2011-2015
1 (F20 LCI) 2015-So far
1 (F21) 2011-So far
1 (F21 LCI) 2011-So far

JO-002



OE: 51247304559

POSITIONS: Tailgate Latch

APPLICATION SUMMARY:
BMW 2 (F23) 2015-2017
2 (F23 LCI) 2018-So far
2 (F22) 2014-2017
2 (F22 LCI) 2018-So far
2 (F87) 2016-2017
2 (F87 LCI) 2017-So far

JN-008



OE: 51227281940

POSITIONS: Rear Right

APPLICATION SUMMARY:
1'F52, 2'F45/F46, 5'G30/G31/G38/F90
6'G32, 7'G11/G12, 8'G16, X1 F48/F49
X2 F39, X3 G01/G08, X4G02
X5F15/F85/G05, X6F16/F86/G06
X7 G07, MINI F54/F55/F60

JN-101



OE: 51217281937

POSITIONS: Front Left

APPLICATION SUMMARY:
2'F45/F46, 5'G30/G31/F90, 6'G32
7'G11/G12, 8'G14/G15/G16/F92/F93
X1 F48, X2 F39, X3 G01/F97, X4 G02/F98
X5F15/F85/G05, X6F16/F86/G06
X7 G07, MINI F54/F55/F56/F57/F60

JN-102



OE: 51217281936

POSITIONS: Front Right

APPLICATION SUMMARY:
2'F45/F46, 5'G30/G31/F90, 6'G32
7'G11/G12, 8'G14/G15/G16/F92/F93
X1 F48, X2 F39, X3 G01/F97, X4 G02/F98
X5F15/F85/G05, X6F16/F86/G06
X7 G07, MINI F54/F55/F56/F57/F60

JN-103



OE: 51217281933

POSITIONS: Front Left

APPLICATION SUMMARY:
2'F45/F46, 5'G30/G31/F90, 6'G32
7'G11/G12, 8'G14/G15/G16/F91/F92/F93
X1 F48/F49, X2 F39, X3 G01, X4 G02
X5 F15/F85/G05, X6 F16/F86/G06
X7 G07, MINI F54/F55/F56/F57/F60

JO-003

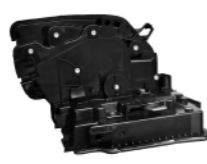


OE: 51249802312

POSITIONS: Tailgate Latch

APPLICATION SUMMARY:
MINI Countryman R60 2011-2016
MINI Paceman R61 2013-2015

JN-001



OE: 51217281935

POSITIONS: Front Left

APPLICATION SUMMARY:
2'F45/F46, 5'G30/G31/F90, 6'G32
7'G11/G12, 8'G14/G15/G16/F92/F93
X1 F48, X2 F39, X3 G01/F97, X4 G02/F98
X5 F15/F85, X6 F16/F86/G06, X7 G07
MINI F54/F55/F56/F57/F60

JN-002



OE: 51217281938

POSITIONS: Front Right

APPLICATION SUMMARY:
2'F45/F46, 5'G30/G31/F90, 6'G32
7'G11/G12, 8'G14/G15/G16/F92/F93
X1 F48, X2 F39, X3 G01/F97, X4 G02/F98
X5 F15/F85, X6 F16/F86/G06, X7 G07
MINI F54/F55/F56/F57/F60

JN-003



OE: 51227281943

POSITIONS: Rear Left

APPLICATION SUMMARY:
2'F45/F46, 5'G30/G31/F90, 6'G32
7'G11/G12, 8'G16/F93, X1 F48
X2 F39, X3 G01/F97, X4 G02/F98
X5 F15/F85/G05, X6 F16/F86/G06
X7 G07, MINI F54/F55/F60

JN-104



OE: 51217281932

POSITIONS: Front Right

APPLICATION SUMMARY:
2'F45/F46, 5'G30/G31/F90, 6'G32
7'G11/G12, 8'G14/G15/G16/F91/F92/F93
X1 F48/F49, X2 F39, X3 G01, X4 G02
X5 F15/F85/G05, X6 F16/F86/G06
X7 G07, MINI F54/F55/F56/F57/F60

JT-001



OE: 51247385921

POSITIONS: Tailgate Latch

APPLICATION SUMMARY:
1 (F52) 2016-, Z4 G29

JT-002



OE: 51247337576

POSITIONS: Tailgate Latch

APPLICATION SUMMARY:
MINI (F55) 2015-2021
MINI (F56) 2014-2021

JX-001



OE: 51247114612

POSITIONS: Tailgate Latch

APPLICATION SUMMARY:
5' E61
X6 (E71) 2008-2014
(E72) 2010-2011

JN-004



OE: 51227281944

POSITIONS: Rear Right

APPLICATION SUMMARY:
2'F45/F46, 5'G30/G31/F90, 6'G32
7'G11/G12, 8'G16/F93, X1 F48
X2 F39, X3 G01/F97, X4 G02/F98
X5 F15/F85/G05, X6 F16/F86/G06
X7 G07, MINI F54/F55/F60

JN-005



OE: 51217281931

POSITIONS: Front Left

APPLICATION SUMMARY:
1'F52, 2'F45/F46, 5'G30/G31/G38/F90
6'G32, 7'G11/G12
8'G14/G15/G16/F91/F92/F93, X1 F48/F49
X2 F39, X3 G01/G08/F97, X4 G02/F98
X5 F15/F85/G05, X6 F16/F86/G06, X7 G07
MINI F54/F55/F56/F57/F60

JN-006



OE: 51217281934

POSITIONS: Front Right

APPLICATION SUMMARY:
1'F52, 2'F45/F46, 5'G30/G31/G38/F90
6'G32, 7'G11/G12
8'G14/G15/G16/F91/F92/F93, X1 F48/F49
X2 F39, X3 G01/G08/F97, X4 G02/F98
X5 F15/F85/G05, X6 F16/F86/G06, X7 G07
MINI F54/F55/F56/F57/F60

JN-007



OE: 51227281939

POSITIONS: Rear Left

APPLICATION SUMMARY:
1'F52, 2'F45/F46, 5'G30/G31/G38/F90
6'G32, 7'G11/G12, 8'G16, X1 F48/F49
X2 F39, X3 G01/G08, X4G02
X5F15/F85/G05, X6F16/F86/G06
X7 G07, MINI F54/F55/F60

JX-002



OE: 51247197081

POSITIONS: Tailgate Latch

APPLICATION SUMMARY:
5' E61
7 (E65/E66) 2000-2008
X6 (E72) 2010-2011

HD-001



OE: 51248408492

POSITIONS: Tailgate Latch

APPLICATION SUMMARY:
X5 (E53) 2000-2006

E7-001



OE: A1647400735, 1647400300
1647400435
POSITIONS: Tailgate Latch

APPLICATION SUMMARY:
GL (X164) 2006-2012
M (W164) 2005-2011
R (V251) 2006-2017

E7-002



OE: A1647400635
POSITIONS: Tailgate Latch

APPLICATION SUMMARY:
GL (X164) 2006-2012
M (W164) 2005-2011
R (V251) 2006-2017

E7-003



OE: A2117400036
POSITIONS: Tailgate Latch

APPLICATION SUMMARY:
E-CLASS T-Model (S211)2003-2009

WQ-035



OE: 68010012AA, 68017889AA
POSITIONS: Front Left

APPLICATION SUMMARY:
Dodge 2009-07
Mercedes-Benz 2010

WQ-036



OE: 68010100AA, 68017891AA
POSITIONS: Front Right

APPLICATION SUMMARY:
Dodge 2009-07
Mercedes-Benz 2010

WQ-037



OE: 2047201535, 2047200335
POSITIONS: Front Left

APPLICATION SUMMARY:
C (W204) 2008-2014, E (W212) 2010-2016
GLK (X204) 2011-2015, CLS (C218) 2011-2017
C (W204) 2007-2013, C (S204) 2010-2013
E (W212) 2009-2010, E (A207) 2010-2016
E (C207) 2009-2016, GLK (X204) 2008-2012

WQ-038



OE: 2047303935, 2047300335
POSITIONS: Rear Left

APPLICATION SUMMARY:
C (W204) 2008-2014, E (W212) 2010-2016, GLA (X156) 2015-2019
GLK (X204) 2011-2015, A (W176) 2013-2018, B (W246) 2012-2017
CLA (C117) 2014-2018, CLS (X218) 2012-2017, CLS (C218) 2011-2017
C (W204) 2007-2013, E (W212) 2009-2010, GLA (X156) 2014-2018
GLA (X156) 2014-2018, GLE (W166) 2015-So far, GLK (X204) 2008-2012
GLS (X166) 2015-2018, GL (X168) 2012-2016, M (W166) 2012-2016

WQ-041



OE: 2047202735
POSITIONS: Front Left

APPLICATION SUMMARY:
C (W204) 2008-2014, E (W212) 2010-2016, GLK (X204) 2011-2015
CLS (X218) 2012-2017, CLS (C218) 2011-2017, C (W204) 2007-2013
C (S204) 2010-2013, C (C204) 2012-2015, E (W212) 2009-2010
E (A207) 2010-2016, E (C207) 2009-2016, GLK (X204) 2008-2012
SLC (R172) 2016-2018, SLK (R172) 2011-2015, SL (R231) 2012-2018

WQ-042



OE: 2047203035
POSITIONS: Front Right

APPLICATION SUMMARY:
C (W204) 2008-2014, E (W212) 2010-2016, GLK (X204) 2011-2015
CLS (X218) 2012-2017, CLS (C218) 2011-2017, C (W204) 2007-2013
C (S204) 2010-2013, C (C204) 2012-2015, E (W212) 2009-2010
E (A207) 2010-2016, E (C207) 2009-2016, GLK (X204) 2008-2012
SLC (R172) 2016-2018, SLK (R172) 2011-2015, SL (R231) 2012-2018

WQ-043



OE: 2047302735
POSITIONS: Rear Left

APPLICATION SUMMARY:
C (W204) 2008-2014, E (W212) 2010-2016, GLA (X156) 2015-2019
GLK (X204) 2011-2015, A (W176) 2013-2018, B (W246) 2012-2017
CLA (C117) 2014-2018, CLS (X218) 2012-2017, CLS (C218) 2011-2017
C (W204) 2007-2013, C (S204) 2010-2013, E (W212) 2009-2010
GLA (X156) 2014-2018, GLE (W166) 2015-So far, GLK (X204) 2008-2012
GLS (X166) 2015-2018, GL (X168) 2012-2016, M (W166) 2012-2016

WQ-044



OE: 2047302835
POSITIONS: Rear Right

APPLICATION SUMMARY:
C (W204) 2008-2014, E (W212) 2010-2016, GLA (X156) 2015-2019
GLK (X204) 2011-2015, A (W176) 2013-2018, B (W246) 2012-2017
CLA (C117) 2014-2018, CLS (X218) 2012-2017, CLS (C218) 2011-2017
C (W204) 2007-2013, C (S204) 2010-2013, E (W212) 2009-2010
GLA (X156) 2014-2018, GLE (W166) 2015-So far, GLK (X204) 2008-2012
GLS (X166) 2015-2018, GL (X168) 2012-2016, M (W166) 2012-2016

WQ-045



OE: 2047201935, 2047200735
POSITIONS: Front Left

APPLICATION SUMMARY:
C (W204) 2008-2014, E (W212) 2010-2016
GLK (X204) 2011-2015, C (W204) 2007-2013
C (S204) 2010-2013, E (W212) 2009-2010
E (C207) 2009-2016, GLK (X204) 2008-2012

WQ-046



OE: 2047202235, 1977201035

POSITIONS: Front Right

APPLICATION SUMMARY:

C (W204) 2008-2014, E (W212) 2010-2016
GLK (X204) 2011-2015, C (W204) 2007-2013
C (S204) 2010-2013, E (W212) 2009-2010
E (C207) 2009-2016, GLK (X204) 2008-2012
SLS AMG (C197) 2010-2014

WQ-047



OE: 2047304135

POSITIONS: Rear Left

APPLICATION SUMMARY:

E (W212) 2010-2016
E Sedan (W212) 2009-2010

WQ-048



OE: 2047304235

POSITIONS: Rear Right

APPLICATION SUMMARY:

E (W212) 2010-2016
E Sedan (W212) 2009-2010

WQ-049



OE: 2047201835, 2047200635

POSITIONS: Front Right

APPLICATION SUMMARY:

C (W204) 2008-2014, E (W212) 2010-2016
GLK (X204) 2011-2015, CLS (C218) 2011-2017
C (W204) 2007-2013, C (S204) 2010-2013
E (W212) 2009-2010, E (A207) 2010-2016
E (C207) 2009-2016, GLK (X204) 2008-2012

WQ-058



OE: 2047302335

POSITIONS: Front Right

APPLICATION SUMMARY:

C (W204) 2008-2014
GLK (X204) 2011-2015
CLS (C218) 2011-2017
C (W204) 2007-2013, C (S204) 2010-2013
E (W212) 2009-2010, E (A207) 2010-2016
E (C207) 2009-2016, GLK (X204) 2008-2012

SS-001



OE: 0997201301, 0997207300
2227200535

POSITIONS: Front Left

APPLICATION SUMMARY:

GLE (W166) 2015-So far
GLS (X166) 2015-2018
GL (X166) 2012-2016
M (W166) 2012-2016

SS-002



OE: 0997201601

POSITIONS: Front Right

APPLICATION SUMMARY:

GLE (W166) 2015-So far
GLS (X166) 2015-2018
GL (X166) 2012-2016
M (W166) 2012-2016

SS-003



OE: 0997304500, 2227301135

POSITIONS: Rear Left

APPLICATION SUMMARY:

GLE (W166) 2015-So far
GLS (X166) 2015-2018
GL (X166) 2012-2016
M (W166) 2012-2016

WQ-050



OE: 2047304035, 2047300435
2047301435

POSITIONS: Rear Right

APPLICATION SUMMARY:

C (W204) 2008-2014, E (W212) 2010-2016
GLK (X204) 2011-2015, C (W204) 2007-2013
C (S204) 2010-2013, E (W212) 2009-2010
GLK (X204) 2008-2012

WQ-051



OE: 1667200135, 0997201901

POSITIONS: Front Left

APPLICATION SUMMARY:

CLA (C117) 2014-2018, GLA (X156) 2015-2019
A (W176) 2013-2018, B (W246) 2012-2017
CLA (C117) 2014-2018, GLA (X156) 2014-2018
GLE (W166) 2015-So far, GLS (X166) 2015-2018
GL (X166) 2012-2016, M (W166) 2012-2016

WQ-052



OE: 1667200435, 0997202201
2040085899

POSITIONS: Front Right

APPLICATION SUMMARY:

CLA (C117) 2014-2018, GLA (X156) 2015-2019
A (W176) 2013-2018, B (W246) 2012-2017
CLA (C117) 2014-2018, GLA (X156) 2014-2018
GLE (W166) 2015-So far, GLS (X166) 2015-2018
GL (X166) 2012-2016, M (W166) 2012-2016

WQ-053



OE: 2047302935

POSITIONS: Rear Left

APPLICATION SUMMARY:

C (W204) 2008-2014, GLA (X156) 2015-2019, GLK (X204) 2011-2015
A (W176) 2013-2018, B (W246) 2012-2017, CLA (C117) 2014-2018
CLS (C218) 2011-2017, C (W204) 2007-2013, E (W212) 2009-2010
GLA (X156) 2014-2018, GLE (W166) 2015-So far, GLK (X204) 2008-2012
GLS (X166) 2015-2018, GL (X166) 2012-2016, M (W166) 2012-2016

SS-004



OE: 0997304600, 2227301235

POSITIONS: Rear Right

APPLICATION SUMMARY:

GLE (W166) 2015-So far
GLS (X166) 2015-2018
GL (X166) 2012-2016
M (W166) 2012-2016

SS-005



OE: 0997200101, 0997206700
2227203335

POSITIONS: Front Left

APPLICATION SUMMARY:

E (W213) 2016-So far
GLE (C292) 2015-So far
S (W222) 2013-So far
Maybach (X222) 2014-2018

SS-006



OE: 0997200401, 0997207000

POSITIONS: Front Right

APPLICATION SUMMARY:

E (W213) 2016-So far
GLE (C292) 2015-So far
S (W222) 2013-So far
Maybach (X222) 2014-2018

SS-007



OE: 0997307700, 0997300100

POSITIONS: Rear Left

APPLICATION SUMMARY:

E (W213) 2016-So far
GLE (C292) 2015-So far
S (W222) 2013-So far
Maybach (X222) 2014-2018

WQ-054



OE: 2047303035

POSITIONS: Rear Right

APPLICATION SUMMARY:

C (W204) 2008-2014, GLA (X156) 2015-2019, GLK (X204) 2011-2015
A (W176) 2013-2018, B (W246) 2012-2017, CLA (C117) 2014-2018
CLS (C218) 2011-2017, C (W204) 2007-2013, E (W212) 2009-2010
GLA (X156) 2014-2018, GLE (W166) 2015-So far, GLK (X204) 2008-2012
GLS (X166) 2015-2018, GL (X166) 2012-2016, M (W166) 2012-2016

WQ-055



OE: 2047202135

POSITIONS: Front Left

APPLICATION SUMMARY:

C (W204) 2008-2014
C (W204) 2007-2013
C (S204) 2010-2013
E (W212) 2009-2010
E (C207) 2009-2016

WQ-056



OE: 2047202035, 2047200835

POSITIONS: Front Right

APPLICATION SUMMARY:

C (W204) 2008-2014
C (W204) 2007-2013
C (S204) 2010-2013
E (W212) 2009-2010
E (C207) 2009-2016

WQ-057



OE: 2047201735

POSITIONS: Front Left

APPLICATION SUMMARY:

C (W204) 2008-2014, CLS (C218) 2011-2017
C (W204) 2007-2013, C (S204) 2010-2013
E (W212) 2009-2010, E (A207) 2010-2016
E (C207) 2009-2016

SS-008



OE: 0997307800, 0997300200
2227303435

POSITIONS: Rear Right

APPLICATION SUMMARY:

E (W213) 2016-So far
GLE (C292) 2015-So far
S (W222) 2013-So far
Maybach (X222) 2014-2018

SS-009



OE: 0997301335

POSITIONS: Rear Left

APPLICATION SUMMARY:

GLE (W166) 2015-So far
GLS (X166) 2015-2018
GL (X166) 2012-2016
M (W166) 2012-2016

SS-010



OE: 0997301435

POSITIONS: Rear Right

APPLICATION SUMMARY:

GLE (W166) 2015-So far
GLS (X166) 2015-2018
GL (X166) 2012-2016
M (W166) 2012-2016

SS-101



OE: 0997201501

POSITIONS: Front Left

APPLICATION SUMMARY:

GLE (W166) 2015-So far
GLS (X166) 2015-2018
GL (X166) 2012-2016
M (W166) 2012-2016
SL (R231) 2012-2018

SS-102



OE: 0997201401

POSITIONS: Front Right

APPLICATION SUMMARY:
GLE (W166) 2015-So far
GLS (X166) 2015-2018
GL (X166) 2012-2016
M (W166) 2012-2016
SL (R231) 2012-2018

SS-103



OE: 0997200301, 0997206900
2227203535

POSITIONS: Front Left

APPLICATION SUMMARY:
E (W213) 2016-So far
GLE (C292) 2015-So far
S (W222) 2013-So far
Maybach (X222) 2014-2018

SS-104



OE: 0997200201, 0997206800
2227203635

POSITIONS: Front Right

APPLICATION SUMMARY:
E (W213) 2016-So far
GLE (C292) 2015-So far
S (W222) 2013-So far
Maybach (X222) 2014-2018

SS-051



OE: 1667600700

POSITIONS: Front Left

APPLICATION SUMMARY:
GLE (C292) 2015-So far
GLE (W166) 2015-So far
GLS (X166) 2015-2018
GL (X166) 2012-2016
M (W166) 2012-2016

JA-002



OE: A2317500085 27

POSITIONS: Tailgate Latch

APPLICATION SUMMARY:
SL (R231) 2012-2018
S (C217) 2014-2018
S (W222) 2013-So far
Maybach (X222) 2014-So far

JC-001



OE: 2217207535, 2217201335
2217205535

POSITIONS: Front Left

APPLICATION SUMMARY:
CL (C216) 2008-2008
S (W221) 2005-2013

JC-002



OE: 2217207835, 2217201635
2217205835

POSITIONS: Front Right

APPLICATION SUMMARY:
CL (C216) 2008-2008
S (W221) 2005-2013

JC-003



OE: 2217307335, 2217300735
2217305135

POSITIONS: Rear Left

APPLICATION SUMMARY:
S (W221) 2005-2013

SS-052



OE: 1667600800

POSITIONS: Front Right

APPLICATION SUMMARY:
GLE (C292) 2015-So far
GLE (W166) 2015-So far
GLS (X166) 2015-2018
GL (X166) 2012-2016
M (W166) 2012-2016

SS-053



OE: 1667600900

POSITIONS: Rear Left

APPLICATION SUMMARY:
GLE (C292) 2015-So far
GLE (W166) 2015-So far
GLS (X166) 2015-2018
GL (X166) 2012-2016
M (W166) 2012-2016

SS-054



OE: 1667601000

POSITIONS: Rear Right

APPLICATION SUMMARY:
GLE (C292) 2015-So far
GLE (W166) 2015-So far
GLS (X166) 2015-2018
GL (X166) 2012-2016
M (W166) 2012-2016

SS-055



OE: 2227601300

POSITIONS: Front Left

APPLICATION SUMMARY:
S (W222) 2013-So far
Maybach (X222) 2014-2018

JC-004



OE: 2217307435, 2217300835
2217305235

POSITIONS: Rear Right

APPLICATION SUMMARY:
S (W221) 2005-2013

JC-101



OE: 2217207335, 2217204935
2217200735

POSITIONS: Front Left

APPLICATION SUMMARY:
CL (C216) 2008-2008
S (W221) 2005-2013

JC-102



OE: 2217205635, 2217207635
2217201435

POSITIONS: Front Right

APPLICATION SUMMARY:
CL (C216) 2008-2008
S (W221) 2005-2014

JJ-001



OE: A2217500085

POSITIONS: Tailgate Latch

APPLICATION SUMMARY:
CL (C216) 2008-2008
S (W221) 2005-2013

SS-056



OE: 2227601400

POSITIONS: Front Right

APPLICATION SUMMARY:
S (W222) 2013-So far
Maybach (X222) 2014-2018

SS-057



OE: 2227601500

POSITIONS: Rear Left

APPLICATION SUMMARY:
S (W222) 2013-So far
Maybach (X222) 2014-2018

SS-058



OE: 2227601600

POSITIONS: Rear Right

APPLICATION SUMMARY:
S (W222) 2013-So far
Maybach (X222) 2014-2018

JA-001



OE: A2317500085

POSITIONS: Tailgate Latch

APPLICATION SUMMARY:
SL (R231) 2012-2018
S (C217) 2014-2018
S (W222) 2013-So far
Maybach (X222) 2014-So far

JJ-002



OE: 97051205303

POSITIONS: Tailgate Latch

APPLICATION SUMMARY:
PORSCHE Panamera
970 (2010-2016)

JG-001



OE: 0997208701, 0997200935

POSITIONS: Front Left

APPLICATION SUMMARY:
GLE (W166) 2015-2019
GLS (X166) 2015-2019
GL (X166) 2012-2016
M (W166) 2012-2016

JG-002



OE: 0997208801, 0997201235

POSITIONS: Front Right

APPLICATION SUMMARY:
GLE (W166) 2015-2019
GLS (X166) 2015-2019
GL (X166) 2012-2016
M (W166) 2012-2016

JG-003



OE: 0997301101, 0997300735

POSITIONS: Rear Left

APPLICATION SUMMARY:
GLE (W166) 2015-2019
GLS (X166) 2015-2019
GL (X166) 2012-2016
M (W166) 2012-2016

JG-004



OE: 0997301201, 0997300835

POSITIONS: Rear Right

APPLICATION SUMMARY:
GLE (W166) 2015-2019
GLS (X166) 2015-2019
GL (X166) 2012-2016
M (W166) 2012-2016

JG-005



OE: 0997207501, 0997207900

POSITIONS: Front Left

APPLICATION SUMMARY:
GLE (C292) 2015-2019

JG-006



OE: 0997207801, 0997208200

POSITIONS: Front Right

APPLICATION SUMMARY:
GLE (C292) 2015-2019

JG-007



OE: 0997309100, 0997303700

POSITIONS: Rear Left

APPLICATION SUMMARY:
C (W205) 2015-So far, C (S205) 2015-So far
E (W213) 2017-So far, GLC (C253) 2016-So far
GLC (X253) 2017-So far, GLE (C292) 2015-So 2019
S (W222) 2013-2020, Maybach (X222) 2014-2020

J8-002



OE: 2047400535

POSITIONS: Tailgate Latch

APPLICATION SUMMARY:
GLA (X156) 2015-2019
CLK (X204) 2011-2015
C (S204) 2010-2013
GLA (X156) 2014-2018
GLK (X204) 2008-2012

J9-001



OE: A0997400600

POSITIONS: Tailgate Latch

APPLICATION SUMMARY:
GLA (X156) 2015-2019, GLC (X253) 2016-So far
C (S205) 2015-So far, GLA (X156) 2014-2018
GLC (C253) 2016-So far, GLC (X253) 2017-So far
GLC (C292) 2015-2019, GLE (W166) 2015-2019
GLS (X166) 2015-2019, GL (X166) 2012-2016
M (W166) 2012-2016

J9-002



OE: A0997400400

POSITIONS: Tailgate Latch

APPLICATION SUMMARY:
GLA (X156) 2015-2019
GLC (X253) 2016-So far
C (S205) 2015-So far
GLA (X156) 2014-2018
GLC (C253) 2017-So far

J9-003



OE: A0997400500

POSITIONS: Tailgate Latch

APPLICATION SUMMARY:
A (W176) 2013-2018
B (W246) 2012-2019

JG-008



OE: 0997309200, 0997303800

POSITIONS: Rear Right

APPLICATION SUMMARY:
C (W205) 2015-So far, C (S205) 2015-So far
E (W213) 2017-So far, GLC (C253) 2016-So far
GLC (X253) 2017-So far, GLE (C292) 2015-So 2019
S (W222) 2013-2020, Maybach (X222) 2014-2020

JG-009



OE: 0997301301, 0997300935

POSITIONS: Rear Left

APPLICATION SUMMARY:
GLE (W166) 2015-2019
GLS (X166) 2015-2019
GL (X166) 2012-2016
M (W166) 2012-2016

JG-010



OE: 0997301401, 0997301035

POSITIONS: Rear Right

APPLICATION SUMMARY:
GLE (W166) 2015-2019
GLS (X166) 2015-2019
GL (X166) 2012-2016
M (W166) 2012-2016

JG-101



OE: 0997201135, 0997208901

POSITIONS: Front Left

APPLICATION SUMMARY:
GLE (W166) 2015-2019
GLS (X166) 2015-2019
GL (X166) 2012-2016
M (W166) 2012-2016

JW-001



OE: 0999068600

POSITIONS: Tailgate Latch Actuator

APPLICATION SUMMARY:
167/205/213/243/247/253/293

JW-002



OE: 2929062800

POSITIONS: Tailgate Latch Actuator

APPLICATION SUMMARY:
GLE (C292) 2015-2019

JU-001



OE: 2047500485

POSITIONS: Tailgate Latch

APPLICATION SUMMARY:
C (W205) 2014-2021, E (W212) 2010-2016
E (W213) 2016-, CLS (C218) 2011-2017
C (W205) 2015-, E (W212) 2009-2010
E (W213) 2017-, E (A207) 2010-2016
E (C207) 2009-2016, SLC (R172) 2016-
SLK (R172) 2011-2015

JU-002



OE: 2057500600

POSITIONS: Tailgate Latch

APPLICATION SUMMARY:
C (C205) 2016-
E (C238) 2017-

JG-102



OE: 0997201035, 0997209001

POSITIONS: Front Right

APPLICATION SUMMARY:
GLE (W166) 2015-2019
GLS (X166) 2015-2019
GL (X166) 2012-2016
M (W166) 2012-2016

JG-103



OE: 0997201700, 0997206401

POSITIONS: Front Left

APPLICATION SUMMARY:
C (W205) 2015-So far, C (S205) 2015-So far
E (W213) 2017-So far, GLC (C253) 2016-So far
GLC (X253) 2017-So far, S (W222) 2013-2020
Maybach (X222) 2014-2020

JG-104



OE: 0997200000, 0997206601

POSITIONS: Front Right

APPLICATION SUMMARY:
C (W205) 2015-So far, C (S205) 2015-So far
E (W213) 2017-So far, GLC (C253) 2016-So far
GLC (X253) 2017-So far, S (W222) 2013-2020
Maybach (X222) 2014-2020

J8-001



OE: 2047401300

POSITIONS: Tailgate Latch

APPLICATION SUMMARY:
GLK (X204) 2011-2015, CLS (X218) 2012-2017
C (S204) 2010-2013, GLE (W166) 2015-2019
GLK (X204) 2008-2012, GLS (X166) 2015-2019
GL (X166) 2012-2016, M (W166) 2012-2016

JU-003



OE: 2047500185

POSITIONS: Tailgate Latch

APPLICATION SUMMARY:
C (W204) 2008-2014, E (W212) 2010-2016
CLS (C218) 2011-2017, C (W204) 2007-2013
C (C204) 2012-2015, E (W212) 2009-2010
E (A207) 2010-2016, E (C207) 2009-2016
SLK (R172) 2011-2015

JU-004



OE: 1177500085

POSITIONS: Tailgate Latch

APPLICATION SUMMARY:
C (C205) 2014-2021
E (W213) 2016-
CLA (C117) 2014-2018
C (W205) 2015-
E (W213) 2017-

H8-001



OE: 2057600700

POSITIONS: Tailgate Latch

APPLICATION SUMMARY:
C (W205) 2014-2021
C Sedan (W205) 2015-

H8-051



OE: 2047500060

POSITIONS: Tailgate Latch Actuator

APPLICATION SUMMARY:
C (W205) 2014-2021, E (W213) 2016-
CLA (X156) 2015-2019, GLK (X204) 2011-2015
V (W448) 2016-, CLS (X218) 2012-2017
GLE (W166) 2015-2019, GLS (X166) 2015-2019
GL (X166) 2012-2016, M (W166) 2012-2016

H8-052



OE: 2127500060

POSITIONS: Tailgate Latch Actuator

APPLICATION SUMMARY:
C (W205) 2014-2021
E (W212) 2010-2016
CLS (C218) 2011-2017
E (W212)2009-2010

H9-001



OE: 4477400335

POSITIONS: Tailgate Latch

APPLICATION SUMMARY:
V (W447/448) 2016-

H9-002



OE: 4477401900

POSITIONS: Tailgate Latch

APPLICATION SUMMARY:
V (W447/448) 2016-

M9-005



OE: 2038201997

POSITIONS: Door Lock Actuator

APPLICATION SUMMARY:
E (W211) 2005-2008, A (W169)2010-2012
B (W245) 2008-2011, CLK (A209) 2004-2008
CLK (C209) 2004-2008, C (W203) 2004-2007
C (CL203) 2004-2005, E (W211) 2003-2008
SLK (R171) 2004-2010

HC-009



OE: 2237601300

POSITIONS: Front Left

APPLICATION SUMMARY:
S (W223) 2020-

HC-010



OE: 2237601400

POSITIONS: Front Right

APPLICATION SUMMARY:
S (W223) 2020-

HC-011



OE: 2237601500

POSITIONS: Rear Left

APPLICATION SUMMARY:
S (W223) 2020-

HC-012



OE: 2237601600

POSITIONS: Rear Right

APPLICATION SUMMARY:
S (W223) 2020-

HC-001



OE: 2137600300

POSITIONS: Front Left

APPLICATION SUMMARY:
E (W213) 2016-
E (W213) Sedan 2017-

HC-002



OE: 2137600400

POSITIONS: Front Right

APPLICATION SUMMARY:
E (W213) 2016-
E (W213) Sedan 2017-

HC-003



OE: 2137601300

POSITIONS: Rear Left

APPLICATION SUMMARY:
E (W213) 2016-

HC-004



OE: 2137601400

POSITIONS: Rear Right

APPLICATION SUMMARY:
E (W213) 2016-

HC-005



OE: 1677600900

POSITIONS: Front Left

APPLICATION SUMMARY:
GLE (W167) 2019-

HC-006



OE: 1677601000

POSITIONS: Front Right

APPLICATION SUMMARY:
GLE (W167) 2019-

HC-007



OE: 1677601100

POSITIONS: Rear Left

APPLICATION SUMMARY:
GLE (W167) 2019-

HC-008



OE: 1677601200

POSITIONS: Rear Right

APPLICATION SUMMARY:
GLE (W167) 2019-

WK-001



OE: 3B1837015AJ, 3B1837015AK
3B1837015AS, 3B1837015J
POSITIONS: Front Left

APPLICATION SUMMARY:
Beetle 2009-99
Golf2006-99
Jetta2005-99
Passat2005-00

WK-002



OE: 3B1837016BH, 3B1837016CF
3B1837016R
POSITIONS: Front Right

APPLICATION SUMMARY:
Volkswagen 2015-99

WK-003



OE: 3B1837015AT, 3B1837015P
POSITIONS: Front Left

APPLICATION SUMMARY:
Volkswagen 2015-03

WK-004



OE: 3B1837016AA, 3B1837016CG
POSITIONS: Front Right

APPLICATION SUMMARY:
Volkswagen 2013-03

SY-003



OE: 5K4839015AG
POSITIONS: Rear Left

APPLICATION SUMMARY:
Polo (621, 6R)
Passat (B7)
Glof (5G)

SY-004



OE: 5K4839016AH
POSITIONS: Rear Right

APPLICATION SUMMARY:
Polo (621, 6R)
Passat (B7)
Glof (5G)

SY-005



OE: 6RD837015A, 5ND837015B
POSITIONS: Front Left

APPLICATION SUMMARY:
New Passat
New Santa
Volkswagen
Tiguan

SY-006



OE: 6RD837016A, 5ND837016B
POSITIONS: Front Right

APPLICATION SUMMARY:
New Passat
New Santa
Volkswagen
Tiguan

WT-001



OE: 5C6810773H
POSITIONS: Actuator

APPLICATION SUMMARY:
Volkswagen 2017-11

M9-001



OE: 3B0959781D, 3B5827061C
7E5827315, 7E5827315A
POSITIONS: Rear

APPLICATION SUMMARY:
Volkswagen Passat 2005-01
Volkswagen Phaeton 2006-04
Volkswagen Touareg 2010-04

M9-002



OE: 7L6959781, 1C0827425, 3B0862247A
3B0959781C, 3B5827061B
POSITIONS: Actuator

APPLICATION SUMMARY:
Volkswagen 2010-98

M9-003



OE: 1J6810773A, 1J6810773B
1K5959782, 3B0959782
POSITIONS: Actuator

APPLICATION SUMMARY:
Volkswagen Golf 2012-99
Volkswagen GTI 2012-06
Volkswagen Jetta 2010-02
Volkswagen Passat 2005-98

SY-007



OE: 6RD839015A, 5ND839015B
POSITIONS: Rear Left

APPLICATION SUMMARY:
New Passat
New Santa
Volkswagen
Tiguan

SY-008



OE: 6RD839016A, 5ND839016B
POSITIONS: Rear Right

APPLICATION SUMMARY:
New Passat
New Santa
Volkswagen
Tiguan

JL-001



OE: 6L6827505A
POSITIONS: Tailgate Latch

APPLICATION SUMMARY:
SEAT IBIZA MK3/4 6L
LEON 1M1
Toledo
VW Passat Variant

MB-001



OE: 1H0711256, 1J0711256
POSITIONS: Transmission Shifter Linkage

APPLICATION SUMMARY:
Volkswagen 1999-92

M9-004



OE: 1J0810773, 1J0810773A, 1J0810773B
1J0810773C, 1J0810773D
POSITIONS: Actuator

APPLICATION SUMMARY:
Volkswagen Golf 2001-99
Volkswagen Jetta 2005-99
Volkswagen Touareg 2010-04

SO-001



OE: 1J5827505B, 1J5827505D, 1J5827505D01C
1J5827505H9B9, 1J5827505J01C
POSITIONS: Tailgate

APPLICATION SUMMARY:
Volkswagen Jetta 2005-99

SY-001



OE: 5K1-837-015-J
POSITIONS: Front Left

APPLICATION SUMMARY:
Volkswagen Jetta 1.4L 2016

SY-002



OE: 5K1-837-016-J
POSITIONS: Front Right

APPLICATION SUMMARY:
Volkswagen Beetle 2011
Golf, Polo, Sharan

H6-001



OE: 5M0827505H9B9, 5G6827505B, 5G6827505A9B9, 5G6827505C
5G6827505B9B9, 5M0827505B, 5G6827505C9B9, 5M0827505C
5M0827505C9B9, 5M0827505E, 5M0827505E9B9, 1K8827505, 1K8827505A
1K8827505B, 1K8827505C, 1K8827505D, 1K8827505E, 5ND827505
POSITIONS: Tailgate Latch

APPLICATION SUMMARY:
Volkswagen 2018-08

MH-001



OE: 13503783, 13578018

POSITIONS: Rear Left

APPLICATION SUMMARY:
Buick 2015-10
Cadillac 2016-10
Chevrolet 2015-11
GMC 2015-11

MH-002



OE: 13503801, 13579522

POSITIONS: Front Left

APPLICATION SUMMARY:
Buick 2017-10
Cadillac 2010
Chevrolet 2017-10
GMC 2015-10

MH-003



OE: 13503784, 13578019

POSITIONS: Rear Right

APPLICATION SUMMARY:
Buick 2015-10
Cadillac 2016-10
Chevrolet 2015-11
GMC 2015-10

MH-004



OE: 13578277, 13503802
13579523

POSITIONS: Front Right

APPLICATION SUMMARY:
Buick 2017-10
Cadillac 2016-13
Cadillac 2010
Chevrolet 2017-10
GMC 2017-10

MH-013



OE: 13578277, 13579556, 4 pin

POSITIONS: Rear Right

APPLICATION SUMMARY:
Cruze
Excelle
Malibu

M2-001



OE: 20918764, 20935252

POSITIONS: Rear Left; Right Side Hinged Door Rear

APPLICATION SUMMARY:
Cadillac 2000-99
Chevrolet 2017-96
GMC 2017-96

M3-001



OE: 20513752

POSITIONS: Tailgate

APPLICATION SUMMARY:
Buick 2000-86
Cadillac 2001-85
Chevrolet 2001-87
Oldsmobile 2000-86
Pontiac 2000-92

MT-001



OE: 13501988

POSITIONS: Tailgate Latch

APPLICATION SUMMARY:
Buick 2018-10
Cadillac 2017-11
Chevrolet 2017-10

MH-005



OE: 22820694

POSITIONS: Front Left

APPLICATION SUMMARY:
Buick Enclave 2017-16
Chevrolet Traverse 2017-16
GMC Acadia 2017-16

MH-006



OE: 20839793, 22820695

POSITIONS: Front Right

APPLICATION SUMMARY:
Buick Enclave 2017-09
Chevrolet Traverse 2017-09
GMC Acadia 2017-09
Saturn Outlook 2010-09

MH-007



OE: 13503177, 13503821

POSITIONS: Rear Left

APPLICATION SUMMARY:
Cruze (1.6PP)
Excelle (JN1.6)

MH-008



OE: 13503178, 13503822

POSITIONS: Rear Right

APPLICATION SUMMARY:
Cruze (1.6PP)
Excelle (JN1.6)

W2-001



OE: 15053681, 15068499
15110643

POSITIONS: Front Left

APPLICATION SUMMARY:
Cadillac 2006-02
Chevrolet 2011-10
Chevrolet 2007-00
GMC 2007-00

W2-002



OE: 15053682, 15068500
15110644

POSITIONS: Front Right

APPLICATION SUMMARY:
Cadillac 2003-02
Chevrolet 2011-10
Chevrolet 2003-00
GMC 2003-00

W2-003



OE: 10347142

POSITIONS: Left

APPLICATION SUMMARY:
Buick Rendezvous 2007-02

W2-004



OE: 16638421, 21170985
22723800

POSITIONS: Front Left

APPLICATION SUMMARY:
Chevrolet Cavalier 2005-95
Pontiac Sunfire 2005-95

MH-009



OE: 13503151, 13503777

POSITIONS: Front Left

APPLICATION SUMMARY:
Regal 2013-09

MH-010



OE: 13503778, 13579515

POSITIONS: Front Right

APPLICATION SUMMARY:
Regal 2013-09

MH-011



OE: 13579555

POSITIONS: Rear Left

APPLICATION SUMMARY:
Regal 2013-09

MH-012



OE: 13503180, 13503788
13579556

POSITIONS: Rear Right

APPLICATION SUMMARY:
Regal 2013-09

W2-005



OE: 16638420, 21170984
22723799

POSITIONS: Front Right

APPLICATION SUMMARY:
Chevrolet Cavalier 2005-95
Pontiac Sunfire 2005-95

W2-006



OE: 16619657, 16636575
88981045

POSITIONS: Front Left

APPLICATION SUMMARY:
Buick 2007-05
Chevrolet 2009-97
Oldsmobile 2004-97
Pontiac 2009-97
Saturn 2007-05

W2-007



OE: 16619656, 16636574
88981044

POSITIONS: Front Right

APPLICATION SUMMARY:
Buick 2007-05
Chevrolet 2009-97
Oldsmobile 2004-97
Pontiac 2009-97
Saturn 2007-05

W2-008



OE: 15110511

POSITIONS: Left

APPLICATION SUMMARY:
Buick 2007-04
Chevrolet 2009-02
GMC 2009-02, Isuzu 2008-03
Oldsmobile 2004-02
Saab 2009-05

W2-009



OE: 6F2Z1743150A

POSITIONS: Right

APPLICATION SUMMARY:
Ford Freestar 2007-04
Mercury Monterey 2007-04

W2-010



OE: 6L1Z7843150BA

POSITIONS: Right

APPLICATION SUMMARY:
Ford Freestyle 2007-05

W2-011



OE: 22834664

POSITIONS: Rear Right

APPLICATION SUMMARY:
Chevrolet 2019-03
GMC 2019-03

W2-012



OE: 22834665

POSITIONS: Rear Right

APPLICATION SUMMARY:
Chevrolet 2019-03
GMC 2019-03

W2-013



OE: 22834666

POSITIONS: Rear Right

APPLICATION SUMMARY:
Chevrolet 2019-03
GMC 2019-03

W2-014



OE: 89044526

POSITIONS: Front Left

APPLICATION SUMMARY:
Chevrolet
GMC

W2-015



OE: 84638338

POSITIONS: Front Left

APPLICATION SUMMARY:
Chevrolet
GMC

W2-016



OE: 22799144

POSITIONS: Rear Right

APPLICATION SUMMARY:
Chevrolet
GMC

W2-017



OE: 15110645

POSITIONS: Front Right

APPLICATION SUMMARY:
Chevrolet
GMC

W2-018



OE: 15110650

POSITIONS: Rear Right

APPLICATION SUMMARY:
Chevrolet 2007-00
GMC 2007-00

W2-019



OE: 15110651

POSITIONS: Rear Left

APPLICATION SUMMARY:
Chevrolet 2007-00
GMC 2007-00

W2-020



OE: 84638340

POSITIONS: Front

APPLICATION SUMMARY:
Chevrolet Express 1500-4500
GMC Savana 1500-4500

WM-001



OE: 20790496

POSITIONS: Front Left

APPLICATION SUMMARY:
Chevrolet Impala 2011-06

WM-002



OE: 10338786, 15277752, 15806252
15884447, 20790495, 25876433

POSITIONS: Front Right

APPLICATION SUMMARY:
Chevrolet Impala 2011-06

WM-003



OE: 10338777, 15277755, 15806258
15884445, 20790501, 25876457

POSITIONS: Rear Left

APPLICATION SUMMARY:
Chevrolet Impala 2011-06

WM-004



OE: 10338776, 15277754, 15806257
15884444, 20790500, 25876456

POSITIONS: Rear Right

APPLICATION SUMMARY:
Chevrolet Impala 2011-06

WM-005



OE: 88980997

POSITIONS: Front Left

APPLICATION SUMMARY:
Chevrolet Equinox 2009-05
Pontiac Torrent 2009-06

WM-006



OE: 20790496

POSITIONS: Front Left

APPLICATION SUMMARY:
Chevrolet Impala 2011-06

WM-007



OE: 22741769, 22785467
22862024, 25955016

POSITIONS: Front Left

APPLICATION SUMMARY:
Cadillac 2014-10
Chevrolet 2014-10
GMC 2014-10

WM-008



OE: 15800052, 15800054, 20780046, 20780048, 20780049, 20780050, 25790211, 25790213, 25811735
25811736, 25811737, 25846880, 25850021, 25850026, 25876502, 25876503, 25876505, 25876506
25876508, 25876509, 25876537, 25845748, 25845751, 25845752

POSITIONS: Front Left

APPLICATION SUMMARY:
Cadillac 2009-07
Chevrolet 2011-07
GMC 2009-07

WM-009



OE: 20783852, 25873485
25876388, 25945754

POSITIONS: Front Right

APPLICATION SUMMARY:
Cadillac 2009-08
Chevrolet 2011-08
GMC 2009-08

WM-010



OE: 10340450, 15277759, 15806254
15884449, 20790497, 25876435

POSITIONS: Front Left

APPLICATION SUMMARY:
Chevrolet Impala 2011-06

WM-011



OE: 22785488

POSITIONS: Rear Left

APPLICATION SUMMARY:
Chevrolet Captiva Sport 2015-08
Saturn Vue 2010

WM-012



OE: 22791029, 22862244

POSITIONS: Front Left

APPLICATION SUMMARY:
Cadillac CTS 2013-10

WM-013



OE: 20783861, 25873491
25876393, 25945740
POSITIONS: Rear Left

APPLICATION SUMMARY:
Cadillac 2009-08
Chevrolet 2011-08
GMC 2009-08

WM-014



OE: 15849687
POSITIONS: Front

APPLICATION SUMMARY:
Chevrolet Cobalt 2010-05
Pontiac G5 2010-07
Pontiac Pursuit 2006-05

WM-015



OE: 22862245
POSITIONS: Front Right

APPLICATION SUMMARY:
Cadillac CTS 2013-10

WM-016



OE: 25876384
POSITIONS: Front Right

APPLICATION SUMMARY:
Cadillac 2009-08
Chevrolet 2009-08
GMC 2009-08

WM-017



OE: 25876397
POSITIONS: Rear Left

APPLICATION SUMMARY:
Chevrolet 2009-08
GMC 2009-08

WM-018



OE: 25876391
POSITIONS: Rear Left

APPLICATION SUMMARY:
Cadillac 2009-08
Chevrolet 2009-08
GMC 2009-08

WM-019



OE: 22862025
POSITIONS: Front Right

APPLICATION SUMMARY:
Chevrolet 2012-10
GMC 2012-10

WO-001



OE: 20815646
POSITIONS: Tailgate

APPLICATION SUMMARY:
Chevrolet Malibu 2012-05
Pontiac G6 2009-08
Saturn Aura 2009-07
Saturn Ion 2007-03

WO-002



OE: 12450614, 15147114, 15276256, 15276257, 15819962, 20774886
20774887, 22727953, 25795319, 25798567, 25862055, 25862459
POSITIONS: Tailgate Latch

APPLICATION SUMMARY:
Chevrolet 2010-04
Pontiac 2010-05

WO-003



OE: 10339214, 10349741, 12451213, 15147009, 15267362, 15280212
15817924, 20815645, 22977861, 25795316, 25862051
POSITIONS: Tailgate Latch

APPLICATION SUMMARY:
Buick 2011-06
Cadillac 2011-06
Chevrolet 2016-06

WR-001



OE: 13501872, 13503467
13581405
POSITIONS: w/Power Liftgate

APPLICATION SUMMARY:
Buick 2017-08
Cadillac 2016-06
Chevrolet 2017-07
GMC 2017-07
Saturn 2010-07

WR-002



OE: 13501871, 13502697, 13581406, 13584672, 15195728
15780269, 15858590, 15887967, 15934420, 25806982
POSITIONS: Tailgate Latch

APPLICATION SUMMARY:
Buick 2017-08, Cadillac 2016-07
Chevrolet 2017-07, GMC 2017-07
Pontiac 2009-06, Saturn 2010-08

WU-001



OE: 15063273
POSITIONS: Front Left

APPLICATION SUMMARY:
Chevrolet Astro 2005-92
GMC Safari 2005-92

WU-002



OE: 16631627
POSITIONS: Front Left

APPLICATION SUMMARY:
Cadillac 2000-99
Chevrolet 2002-85
GMC 2002-85
Oldsmobile 1993-91

WU-003



OE: 16631626
POSITIONS: Front Right

APPLICATION SUMMARY:
Cadillac 2000-99
Chevrolet 2002-85
GMC 2002-85
Oldsmobile 1993-91

S7-001



OE: 15236097, 15913930
POSITIONS: Hood Latch

APPLICATION SUMMARY:
Chevrolet Cobalt 2010-05
Pontiac G5 2010-07
Pontiac Pursuit 2006-05

S8-001



OE: 15873422, 25721612
POSITIONS: Hood Latch

APPLICATION SUMMARY:
Chevrolet 2017-03
GMC 2017-03

S9-001



OE: 95463828
POSITIONS: Hood Latch

APPLICATION SUMMARY:
Chevrolet Cruze 2016-12
Chevrolet Cruze Limited 2016

S9-002



OE: 42750799
POSITIONS: Hood Latch

APPLICATION SUMMARY:
Chevrolet Trax 2019-2022

W7-002



OE: 15250765, 15808595
POSITIONS: Actuator

APPLICATION SUMMARY:
Cadillac 2006-02
Chevrolet 2006-00
GMC 2006-00

SL-001



OE: 15694155
POSITIONS: Actuator

APPLICATION SUMMARY:
CHEVROLET
ASTRO 4.3L V6 1992
GMC SAFARI 4.3L V6

SQ-001



OE: 22745040
POSITIONS: Middle Door Lock

APPLICATION SUMMARY:
Chevrolet 2020-96
GMC 2020-96

SQ-002



OE: 22745039
POSITIONS: Middle Door Lock

APPLICATION SUMMARY:
Chevrolet 2019-96
GMC 2019-96

SQ-003



OE: 15841667
POSITIONS: Actuator

APPLICATION SUMMARY:
Chevrolet 2015-96
GMC 2015-96

J3-001



OE: 22661132, 25868008

POSITIONS: Hood Latch

APPLICATION SUMMARY:
Chevrolet 2016-04

JD-001



OE: 13597536, 13533617
13597799, 13598089

POSITIONS: Front Left

APPLICATION SUMMARY:
Cadillac 2015
Chevrolet 2016-14
GMC 2015-14

JD-002



OE: 13516685, 13528305
13533615

POSITIONS: Front Right

APPLICATION SUMMARY:
Buick 2021-16
Cadillac 2021-13
Chevrolet 2021-14
GMC 2021-15

JD-003



OE: 13598381, 13528272, 13537007, 13586156
13587943, 13590513, 13592259

POSITIONS: Rear Left

APPLICATION SUMMARY:
Buick 2017-16
Cadillac 2019-15
Chevrolet 2019-14
GMC 2019-14

E8-001



OE: 10356951

POSITIONS: Extended Cab 3rd Rear

APPLICATION SUMMARY:
CHEVROLET Silverado

E9-001



OE: 15768951, 1213456789

POSITIONS: Extended Cab Pickup

APPLICATION SUMMARY:
Chevrolet S10 Xtreme

JD-004



OE: 13528274, 13537008, 13586157
13587944, 13590514, 13592258
13597524, 13597803, 13598379

POSITIONS: Rear Right

APPLICATION SUMMARY:
Buick 2017-16
Cadillac 2019-15
Chevrolet 2019-14
GMC 2019-14

JD-005



OE: 13516687, 13528307
13533684

POSITIONS: Front Left

APPLICATION SUMMARY:
Buick 2021-16
Cadillac 2021-13
Chevrolet 2021-14
GMC 2021-15

JD-006



OE: 13533616, 13528310

POSITIONS: Front Left

APPLICATION SUMMARY:
Chevrolet 2021-19
GMC 2021-20

MC-001



OE: 19149553, 19180082, 26078376
26088391, 26088393, 26091248
26092432, 88965357, 88967191

POSITIONS: Steering Column Shift Mechanism

APPLICATION SUMMARY:
Cadillac 2006-02
Chevrolet 2014-98
GMC 2014-98
Oldsmobile 2001-98

JY-001



OE: 25886854

POSITIONS: Liftgate Window Latch And Actuator

APPLICATION SUMMARY:
Cadillac 2014-07
Chevrolet 2014-07
GMC 2014-07

W1-001



OE: 26047466, 26047559, 26047728, 26050844
26091246, 8260508440, 8260912460

POSITIONS: Steering Column Shift Mechanism

APPLICATION SUMMARY:
Cadillac 2000-99
Chevrolet 2009-95
GMC 2009-95
Isuzu 2008-05
Oldsmobile 1997-96

JS-001



OE: 13515944

POSITIONS: Tailgate Latch

APPLICATION SUMMARY:
Buick, Cadillac
Chevrolet
GMC

SP-001



OE: 19353978, 22884702
84017512, 84287377

POSITIONS: Lane Departure Warning Actuator

APPLICATION SUMMARY:
Cadillac 2019-15
Chevrolet 2019-15
GMC 2019-15

M1-001



OE: 7W7Z5443200A

POSITIONS: Tailgate

APPLICATION SUMMARY:
Ford Crown Victoria 2011-04
Mercury Grand Marquis 2011-04
Mercury Marauder 2004

M4-001



OE: 7L8Z7843150A

POSITIONS: Tailgate

APPLICATION SUMMARY:
Ford Escape 2007-01
Mercury Mariner 2007-05

M4-003



OE: 9L8Z7843150B

POSITIONS: Tailgate Latch

APPLICATION SUMMARY:
Ford Escape 2012-09
Mazda Tribute 2011-08
Mercury Mariner 2011-09

MP-001



OE: 3S4Z54218130A, 4S4Z54218130B, 4S4Z54218130B
4S4Z5421813C, 4S4Z54218130C, 6S4Z5421813C, 6S4Z5421813D
F8RZ63218130A, F8RZ63218130A, YS8Z6321813AA

POSITIONS: Front Left

APPLICATION SUMMARY:
Ford Focus 2007-02
Mercury Cougar 2002-99

MR-002



OE: CP9Z5421812A
EJ7Z5821812A

POSITIONS: Front Right

APPLICATION SUMMARY:
Ford C-Max 2018-13
Ford Escape 2018-13
Lincoln MKC 2016-15

MR-003



OE: CP9Z5426412A
EJ7Z5826412A

POSITIONS: Rear Left

APPLICATION SUMMARY:
Ford C-Max 2018-13
Ford Escape 2018-13
Lincoln MKC 2016-15

MR-004



OE: CP9Z5426413A
EJ7Z5826413A

POSITIONS: Rear Right

APPLICATION SUMMARY:
Ford C-Max 2018-13
Ford Escape 2018-13
Lincoln MKC 2016-15

MR-009



OE: BE8Z5421812B

POSITIONS: Front Right

APPLICATION SUMMARY:
Ford Edge 2015
Ford Fiesta 2017-11
Ford Fusion 2017-13
Lincoln MKZ 2017-13

MP-002



OE: 3S4Z5421812BA, 5S4Z5421812D, 6S4Z5421812C
F8RZ6321812CA, F8RZ6321812DA, YS8Z6321812AA

POSITIONS: Front Right

APPLICATION SUMMARY:
Ford Focus 2007-02
Mercury Cougar 2002-99

MP-003



OE: XS4Z5421813AA, XS4Z5421813AB, XS4Z5421813BA
XS4Z5421813BB, YS4Z5421813BC, YS4Z5421813EB
YS4Z5421813FA

POSITIONS: Front Left

APPLICATION SUMMARY:
Ford Focus 2001-00

MP-004



OE: 4S4Z5426412AA

POSITIONS: Rear Right

APPLICATION SUMMARY:
Ford Focus 2007-04
Ford Focus 2002

MQ-001



OE: 6L8Z7821813B, 6L8Z7821813BFC
6L8Z7821813GB, 6L8Z78219A65DA

POSITIONS: Front Left

APPLICATION SUMMARY:
Ford Escape 2007-05
Mercury Mariner 2007-05

MR-010



OE: BE8Z5421813-C
FE8Z5421813C

POSITIONS: Front Left

APPLICATION SUMMARY:
Ford Edge 2017-16
Ford Fusion 2016-13
Lincoln MKZ 2016

MR-011



OE: CM5Z54219A64-F
F1EZ58219A64A

POSITIONS: Front Right

APPLICATION SUMMARY:
Ford Focus 2018-12

MR-012



OE: CM5Z54219A65-F
F1EZ54219A65F

POSITIONS: Front Left

APPLICATION SUMMARY:
Ford Focus 2018-12

MR-013



OE: CM5Z 54219A65-H
CM5Z54219A65K, CP9Z54219A65C

POSITIONS: Front Left

APPLICATION SUMMARY:
Ford Focus 2014-12

MQ-002



OE: 5L8Z78219A64DA
6L8Z7821812B

POSITIONS: Front Right

APPLICATION SUMMARY:
Ford Escape 2007-05
Mercury Mariner 2007-05

MQ-003



OE: 6L8Z7826413B

POSITIONS: Rear Left

APPLICATION SUMMARY:
Ford Escape 2007-01
Mercury Mariner 2007-05

MQ-004



OE: 6L8Z7826412B

POSITIONS: Rear Right

APPLICATION SUMMARY:
Ford Escape 2007-01
Mercury Mariner 2007-05

MR-001



OE: CM5Z54219A65E
CP9Z5421813A

POSITIONS: Front Left

APPLICATION SUMMARY:
Ford C-Max 2018-13
Ford Escape 2018-13
Ford Focus 2014
Lincoln MKC 2016-15

MR-014



OE: FT4Z5826412E

POSITIONS: Rear Right

APPLICATION SUMMARY:
Ford Edge SEL 2015-2021

MS-001



OE: 9L3Z5421813A, AR3Z6321813A
CR3Z6321813C, CR3Z6321813C

POSITIONS: Front Left

APPLICATION SUMMARY:
Ford 2018-09
Lincoln 2014-09

MS-002



OE: DG1Z5421813B

POSITIONS: Front Left

APPLICATION SUMMARY:
Ford 2018-11
Lincoln 2015-11

MS-003



OE: 9L3Z5426413A
DG1Z5426413A

POSITIONS: Rear Left

APPLICATION SUMMARY:
Ford 2018-09
Lincoln 2015-10

MS-004



OE: 9L3Z5421812A, AR3Z6321812A
BL3Z5421812A, DG1Z5421812A
POSITIONS: Front Right

APPLICATION SUMMARY:
Ford 2018-09
Lincoln 2014-10

MS-005



OE: DG1Z5421812B
POSITIONS: Front Right

APPLICATION SUMMARY:
Ford 2018-11
Lincoln 2015-13

MS-006



OE: 9L3Z5426412A
DG1Z5426412A
POSITIONS: Rear Right

APPLICATION SUMMARY:
Ford 2018-09
Lincoln 2015-10

MS-007



OE: CR3Z 6321813-D
POSITIONS: Front Left

APPLICATION SUMMARY:
Ford Mustang 2014-10

S1-002



OE: 8L8Z16700A
POSITIONS: Hood Latch

APPLICATION SUMMARY:
Ford Escape 2012-08
Mercury Mariner 2011-08

S1-003



OE: AE5Z16700A
POSITIONS: Hood Latch

APPLICATION SUMMARY:
Ford Fusion 2012-10
Mercury Milan 2011-10

S2-001



OE: CV6Z16700B
POSITIONS: Hood Latch

APPLICATION SUMMARY:
Ford Escape 2016-13
Ford Focus 2016-12
Lincoln MKC 2017-15

S3-001



OE: DS7Z16701A, DS7Z16701B
POSITIONS: Hood Latch

APPLICATION SUMMARY:
Ford Fusion 2016-13

MS-008



OE: 8S4Z5426413A, 8S4Z5426597A, 9S4Z5426413A
AS4Z7426413B, AS4Z74264B53A
POSITIONS: Rear Left

APPLICATION SUMMARY:
Ford Focus 2011-08

MS-009



OE: 8S4Z5426412A, 8S4Z5426596A, 9S4Z5426412A
AS4Z7426412B, AS4Z74264B52A
POSITIONS: Rear Right

APPLICATION SUMMARY:
Ford Focus 2011-08

MS-010



OE: BL3Z54264A26A
POSITIONS: Front Right

APPLICATION SUMMARY:
Ford F-150 2014-09
Lincoln Mark LT 2014-10

W2-009



OE: 6F2Z1743150A, 3F2Z1743150BA
5F2Z1743150BA, 6F2Z1743150BA
POSITIONS: Liftgate

APPLICATION SUMMARY:
Ford Freestar 2007-04
Mercury Monterey 2007-04

WS-003



OE: 82211668, 9L8Z7843150A
82211668AB, 9L8Z7843150B
POSITIONS: Tailgate Lock Actuator

APPLICATION SUMMARY:
Ford 2012-09
Mazda 2011-08
Mercury 2011-09
Ram 2012-11

SD-001



OE: BM5Z5443150B
POSITIONS: Tailgate

APPLICATION SUMMARY:
Ford Focus 2018-12

SD-002



OE: BM5Z5843150B
POSITIONS: Tailgate

APPLICATION SUMMARY:
Ford C-Max 2018-13
Ford Focus 2018-12

SE-001



OE: 6S4Z5443150C
POSITIONS: Tailgate

APPLICATION SUMMARY:
Ford Focus 2007-00

W2-010



OE: 6L1Z7843150BA, 2L1Z7843150BA
3L1Z7843150BA, 3L1Z7843150BB
POSITIONS: Liftgate

APPLICATION SUMMARY:
Ford Freestyle 2007-05

W4-001



OE: 6L5Z 7821813-C
POSITIONS: Front Left

APPLICATION SUMMARY:
Ford Explorer 2001-91
Ford Explorer Sport Trac 2005-01
Mercury Mountaineer 2001-97

W4-002



OE: 6L5Z7821812C
POSITIONS: Front Right

APPLICATION SUMMARY:
Ford Explorer 2001-91
Ford Explorer Sport Trac 2005-01
Mercury Mountaineer 2001-97

S1-001



OE: 6E5Z16700AA
POSITIONS: Hood Latch

APPLICATION SUMMARY:
Ford 2016-06
Lincoln 2010-07
Mercury 2009-06

SE-002



OE: 6S4Z7443150C
POSITIONS: Tailgate

APPLICATION SUMMARY:
Ford Focus 2007-00

SF-001



OE: CJ5Z7843150A
POSITIONS: Tailgate

APPLICATION SUMMARY:
Ford Escape 2016-13

SF-002



OE: DB5Z7843150B
POSITIONS: Tailgate

APPLICATION SUMMARY:
Ford Escape 2018-13

SG-001



OE: YF1Z7443150AA
POSITIONS: Rear

APPLICATION SUMMARY:
Ford Taurus 2005-01
Mercury Sable 2005-01

SH-001



OE: 4L2Z7843150A

POSITIONS: Rear

APPLICATION SUMMARY:
Ford 2002-97
Lincoln 2005-98
Mercury 2005-02

SH-002



OE: 8L2Z7843150B

POSITIONS: Rear

APPLICATION SUMMARY:
Ford Explorer 2010-08
Mercury Mountaineer 2010-08

J5-001



OE: FR3Z5443200A

POSITIONS: Tailgate Latch

APPLICATION SUMMARY:
Ford Fusion 2019-13
Ford Mustang 2019-15
Lincoln MKZ 2019-13

JM-001



OE: CK4Z61264A00B
CK4Z61264A00D

POSITIONS: Integrated Door Lock Actuator

APPLICATION SUMMARY:
Ford 2020-07
Thomas 2020-15

HE-001



OE: 6C2Z1521813A, 4C2Z1521813AA
F6UZ1521813AB

POSITIONS: Front Left

APPLICATION SUMMARY:
Ford 2019-96

HF-001



OE: 6L3Z18264A27A

POSITIONS: Rear Left

APPLICATION SUMMARY:
Ford F-150 2003-99
Ford F-150 Heritage 2004
Ford F-250 1999-97
Ford Lobo 2004-00

WC-001



OE: 1L2Z 3C529-JA

POSITIONS: Column Shifter Lever Bracket Repair

APPLICATION SUMMARY:
Ford Expedition 2006-03
Ford Explorer 2005-02
Mercury Mountaineer 2005-02

JR-001



OE: FA1Z7443150B, DS7Z7443150B
GJ5Z7443150B

POSITIONS: Liftgate Lock Actuator - Integrated With Cinch Latch

APPLICATION SUMMARY:
Ford 2022-15
Lincoln 2022-16

SI-001



OE: G33M62310, G33M62310A
G33M62310B

POSITIONS: Tailgate

APPLICATION SUMMARY:
Mazda 3 2015-10
Mazda CX-5 2016-13
Mazda CX-9 2019

WJ-001



OE: 55136347AB, 55136347AD, 55136347AE
55363473AA, 55363473AB, 55363473AC
55363473AD, 55363473AE, 55363473AF

POSITIONS: Front Left

APPLICATION SUMMARY:
Jeep Grand Cherokee 2004-99

WJ-002



OE: 4575895AA, 4575895AB, 4589071AA
4589071AB, 4589071AC

POSITIONS: Front Left

APPLICATION SUMMARY:
Chrysler 300 2010-05
Dodge Charger 2010-06
Dodge Magnum 2008-05

WJ-003



OE: 4574151, 4574151AB, 4574151AC
4574151AD, 4574151AE, 4574151AF

POSITIONS: Front Left

APPLICATION SUMMARY:
Chrysler 2004-98
Dodge 2004-98

WJ-004



OE: 4717803AA, 4717803AC
4717803AG, 5109863AA

POSITIONS: Front Left

APPLICATION SUMMARY:
Chrysler 2007-01
Dodge 2007-01

WJ-005



OE: 55256713AB, 55256713AD, 55256713AH
55256713AJ, 55256713AK

POSITIONS: Front Left

APPLICATION SUMMARY:
Dodge Dakota 2003-00
Dodge Durango 2003-98

WJ-006



OE: 55276791AF, 55276791AE, 55276791AC
55276791AG, 55372851AA

POSITIONS: Front Left

APPLICATION SUMMARY:
Dodge 2010-03
Ram 2010

WJ-007



OE: 55276795AB, 55276795AC
55276795AD, 55372859AA

POSITIONS: Rear Left

APPLICATION SUMMARY:
Dodge 2010-03

WJ-008



OE: 55177045AB, 55177045AC, 55177045AD
55177045AE, 55177045AF, 55177045AG
55177045AH, 55177045AI

POSITIONS: Rear Left

APPLICATION SUMMARY:
Jeep Liberty 2007-02

WJ-009



OE: 55177043AC, 55177043AD, 55177043AF
55177043AH, 55177043AJ, 55177043AK

POSITIONS: Front Left

APPLICATION SUMMARY:
Jeep Liberty 2005-02

WJ-010



OE: 4894267AC, 4894267AF
4894267AH

POSITIONS: Front Left

APPLICATION SUMMARY:
Chrysler Pacifica 2008-04

WJ-011



OE: 55113367AA, 55113367AB, 55113367AC
55394937AC, 55394937AD, 55394937AE
55394937AF, 55394937AG

POSITIONS: Front Left

APPLICATION SUMMARY:
Jeep Grand Cherokee 2010-05

WJ-012



OE: 4575893AA, 4589043AC
4589043AD

POSITIONS: Rear Left

APPLICATION SUMMARY:
Chrysler 300 2010-05
Dodge Charger 2010-06
Dodge Magnum 2008-05

WJ-013



OE: 55364111AA, 55364111AB, 55364111AC
55364985AA, 55364985AB
POSITIONS: Rear Left

APPLICATION SUMMARY:
Chrysler Aspen 2009-07
Dodge Durango 2009-04

WJ-014



OE: 55364143AB, 55364143AC
55364987AA
POSITIONS: Front Left

APPLICATION SUMMARY:
Chrysler Aspen 2009-07
Dodge Durango 2009-04

WJ-015



OE: 55135621AB, 55135621AC
68268219AA
POSITIONS: Rear Left

APPLICATION SUMMARY:
Jeep Grand Cherokee 2002-99

WJ-016



OE: 55113375AB, 55113375AC, 55394235AD
55394235AE, 55394235AG
POSITIONS: Rear Left

APPLICATION SUMMARY:
Jeep Grand Cherokee 2010-05

WJ-025



OE: 4575894AA, 4589072AB
4589072AC
POSITIONS: Front Right

APPLICATION SUMMARY:
Chrysler 300 2010-05
Dodge Charger 2010-06
Dodge Magnum 2008-05

WJ-026



OE: 4574150AE
POSITIONS: Front Right

APPLICATION SUMMARY:
Chrysler 2004-98
Dodge 2004-98

WJ-027



OE: 4717802AA, 4717802AC, 4717802AF
4717802AG, 5109862AA
POSITIONS: Front Right

APPLICATION SUMMARY:
Chrysler 2007-01
Dodge 2007-01

WJ-028



OE: 55256712AB, 55256712AD
55256712AH, 55256712AJ
POSITIONS: Front Right

APPLICATION SUMMARY:
Dodge Dakota 2003-00
Dodge Durango 2002-98

WJ-017



OE: 5027075AA, 5027075AB, 5027075AC
5027075AD, 5027075AE
POSITIONS: Rear Left

APPLICATION SUMMARY:
Chrysler PT Cruiser 2010-01

WJ-018



OE: 55113381AA, 55113381AB
POSITIONS: Rear Left

APPLICATION SUMMARY:
Jeep Commander 2010-06

WJ-019



OE: 55113369AA, 55113369AB
POSITIONS: Front Left

APPLICATION SUMMARY:
Jeep Commander 2010-06

WJ-020



OE: 5027077AC, 5027961AB, 5027961AD
5027961AH, 5027961AI
POSITIONS: Front Left

APPLICATION SUMMARY:
Chrysler PT Cruiser 2001

WJ-029



OE: 55276790AC, 55276790AE, 55276790AF
55276790AG, 55372850AA
POSITIONS: Front Right

APPLICATION SUMMARY:
Dodge 2010-03

WJ-030



OE: 55276794AC, 55276794AD
55372858AA
POSITIONS: Rear Right

APPLICATION SUMMARY:
Dodge 2010-03

WJ-031



OE: 55177044AB, 55177044AC, 55177044AD
55177044AE, 55177044AF, 55177044AG
55177044AH, 55177044AI
POSITIONS: Rear Right

APPLICATION SUMMARY:
Jeep Liberty 2007-02

WJ-032



OE: 55177042AC, 55177042AH
55177042AK, 55177042AJ
POSITIONS: Front Right

APPLICATION SUMMARY:
Jeep Liberty 2007-02

WJ-021



OE: 5067309AA, 5067309AB
5067309AC, 5067309AE
POSITIONS: Front Left

APPLICATION SUMMARY:
Chrysler PT Cruiser 2008-05

WJ-022



OE: 4783593AB, 5008621AA, 5008621AD
5008621AF, 5008621AG
POSITIONS: Front Left

APPLICATION SUMMARY:
Chrysler Neon 2002-00
Dodge Neon 2005-00
Plymouth Neon 2001-00

WJ-023



OE: 55360641AA, 55360641AB, 55360641AC
55360641AD, 55360641AE
POSITIONS: Front Left

APPLICATION SUMMARY:
Jeep Liberty 2007-03

WJ-024



OE: 55135606AB, 55135606AD, 55135606AE, 55363472AA
55363472AB, 55363472AC, 55363472AD, 55363472AE
55363472AF, 55363472AG, 68261040AA
POSITIONS: Front Right

APPLICATION SUMMARY:
Jeep Grand Cherokee 2004-99

WJ-033



OE: 55360611AA, 55360611AB, 55360611AC
55360611AD, 55360611AE
POSITIONS: Front Right

APPLICATION SUMMARY:
Jeep Liberty 2007-03

WJ-034



OE: 4894266AC, 4894266AF
4894266AG, 4894266AH
POSITIONS: Front Right

APPLICATION SUMMARY:
Chrysler Pacifica 2008-04

WJ-035



OE: 55113372AB, 55113372AC
POSITIONS: Front Right

APPLICATION SUMMARY:
Jeep Grand Cherokee 2010-05

WJ-036



OE: 4575892AA, 4575892AA
4589042AD
POSITIONS: Rear Right

APPLICATION SUMMARY:
Chrysler 300 2010-05
Dodge Charger 2010-06
Dodge Magnum 2008-05

WJ-037



OE: 55364110AB, 55364110AC
55364984AA, 55364984AB
POSITIONS: Rear Right

APPLICATION SUMMARY:
Chrysler Aspen 2009-07
Dodge Durango 2009-04

WJ-038



OE: 5027076AC, 5027960AB
5027960AH, 5027960AI
POSITIONS: Front Right

APPLICATION SUMMARY:
Chrysler PT Cruiser 2001

WJ-039



OE: 55364142AB, 55364142AC
55364986AA
POSITIONS: Front Right

APPLICATION SUMMARY:
Chrysler Aspen 2009-07
Dodge Durango 2009-04

WJ-040



OE: 55135620AB, 55135620AC
68268218AA
POSITIONS: Rear Right

APPLICATION SUMMARY:
Jeep Grand Cherokee 2002-99

WJ-049



OE: 5056174AA, 5056174AB, 5056174AC
5056174AD, 5056174AE
POSITIONS: Front Right

APPLICATION SUMMARY:
Chrysler Cirrus 2006-02
Chrysler Sebring 2006-02
Dodge Stratus 2006-02

WJ-050



OE: 5008696AA, 5008696AB, 5008696AC, 5008696AD
5008696AE, 5008696AF, 5008696AG
POSITIONS: Front Right

APPLICATION SUMMARY:
Dodge Neon 2005-03

WJ-051



OE: 55276585AC, 55276585AD, 55276585AE
55276585AF, 55372843AA, 55372843AB
POSITIONS: Front Left

APPLICATION SUMMARY:
Dodge 2010-03
Ram 2010

WJ-052



OE: 55276883AA, 55276883AB, 55276883AC
55372844AA, 55372844AB
POSITIONS: Front Right

APPLICATION SUMMARY:
Dodge 2010-03
Ram 2010

WJ-041



OE: 55113376AB, 55113376AC, 55394234AD
55394234AE, 55394234AG
POSITIONS: Rear Right

APPLICATION SUMMARY:
Jeep Grand Cherokee 2010-05

WJ-042



OE: 5027074AA, 5027074AB, 5027074AC
5027074AD, 5027074AE
POSITIONS: Rear Right

APPLICATION SUMMARY:
Chrysler PT Cruiser 2010-01

WJ-043



OE: 5067136AA, 5067136AD
5067136AE
POSITIONS: Front Right

APPLICATION SUMMARY:
Chrysler PT Cruiser 2010-06
Chrysler PT Cruiser 2002

WJ-044



OE: 4880048AC, 4880048AH
4880048AI
POSITIONS: Front Right

APPLICATION SUMMARY:
Chrysler Cirrus 2006
Chrysler Sebring 2006-01

WJ-053



OE: 5008620AG, 4783592AB, 5008620AA
5008620AB, 5008620AC, 5008620AD
5008620AE, 5008620AF
POSITIONS: Front Right

APPLICATION SUMMARY:
Dodge Neon 2005-00
Chrysler Neon 2002-00
Plymouth Neon 2001-00

WJ-054



OE: 55364032AA, 55364032AB
55364032AC
POSITIONS: Front Right

APPLICATION SUMMARY:
Dodge Dakota 2004
Dodge Durango 2003

WJ-055



OE: 5109864AB, 4894516AA, 4894516AB
4894516AC, 4894516AD, 5109864AA
POSITIONS: Front Right

APPLICATION SUMMARY:
Chrysler 2007-03
Dodge 2007-03

WJ-056



OE: 68064403AF

POSITIONS: Front Left

APPLICATION SUMMARY:
Dodge Challenger 2014-11

WJ-045



OE: 55113380AA, 55113380AB
POSITIONS: Rear Right

APPLICATION SUMMARY:
Jeep Commander 2010-06

WJ-046



OE: 55113374AA, 55113374AB
55396530AC
POSITIONS: Front Right

APPLICATION SUMMARY:
Jeep Commander 2010-06

WJ-047



OE: 5067308AA, 5067308AC
5067308AD, 5067308AE
POSITIONS: Front Right

APPLICATION SUMMARY:
Chrysler PT Cruiser 2008-05

WJ-048



OE: 4783592AB, 5008620AA, 5008620AF
5008620AG, 5008622AD
POSITIONS: Front Right

APPLICATION SUMMARY:
Chrysler Neon 2002-00
Dodge Neon 2005-00
Plymouth Neon 2001-00

WJ-057



OE: 68064402AF

POSITIONS: Front Right

APPLICATION SUMMARY:
Dodge Challenger 2014-11

WJ-058



OE: A1868383014

POSITIONS: Front Left

APPLICATION SUMMARY:
Freightliner Cascadia 2020-19

WJ-059



OE: A1868383015

POSITIONS: Front Right

APPLICATION SUMMARY:
Freightliner Cascadia 2020-19

WJ-060



OE: 55372846AB

POSITIONS: Front Right

APPLICATION SUMMARY:
Dodge 2010-03

WJ-061



OE: 68174641AG

POSITIONS: Front Left

APPLICATION SUMMARY:
Dodge Challenger 2015-2020

WP-001



OE: 55076291, 55076291AB

POSITIONS: Front Left

APPLICATION SUMMARY:
Dodge Ram 1500 2002-94
Dodge Ram 2500 2002-94
Dodge Ram 3500 2002-94

WP-002



OE: 55076290, 55076290AB

POSITIONS: Front Right

APPLICATION SUMMARY:
Dodge Ram 1500 2002-94
Dodge Ram 2500 2002-94
Dodge Ram 3500 2002-94

WP-003



OE: 4798915AB, 4798915AC
55033439

POSITIONS: Front Left

APPLICATION SUMMARY:
Jeep Cherokee 2001-99
Jeep Grand Cherokee 1998-93
Jeep Grand Wagoneer 1993

WP-012



OE: 55075950AB

POSITIONS: Front Right

APPLICATION SUMMARY:
Dodge Dakota 1998-97

WP-013



OE: 4696779, 4769075

POSITIONS: Front Left

APPLICATION SUMMARY:
Chrysler 1997-94
Dodge 1997-94
Eagle 1997-94

WP-014



OE: 4696778, 4769074

POSITIONS: Front Right

APPLICATION SUMMARY:
Chrysler 1997-94
Dodge 1997-94
Eagle 1997-94

WQ-001



OE: 4589417AD, 4589417AF
4589417AG, 4589417AH

POSITIONS: Front Left

APPLICATION SUMMARY:
Chrysler 2010-08
Dodge 2012-08
Jeep 2017-11
Ram 2017-11

WP-004



OE: 4798914AB, 4798914AC
55033438

POSITIONS: Front Right

APPLICATION SUMMARY:
Jeep Cherokee 2001-99
Jeep Grand Cherokee 1998-93
Jeep Grand Wagoneer 1993

WP-005



OE: 4798917, 55074805

POSITIONS: Rear Left

APPLICATION SUMMARY:
Jeep Grand Cherokee 1998-93

WP-006



OE: 4798916, 55074804

POSITIONS: Rear Right

APPLICATION SUMMARY:
Jeep Grand Cherokee 1998-93

WP-007



OE: 4717473, 4717473AB

POSITIONS: Front Left

APPLICATION SUMMARY:
Chrysler 2000-97
Dodge 2000-97
Plymouth 2000-97

WQ-002



OE: 4589420AD, 4589420AF
68079094AB

POSITIONS: Front Right

APPLICATION SUMMARY:
Chrysler 2013-11
Chrysler 2008
Dodge 2010-08
Ram 2017-10

WQ-003



OE: 4589467AB, 4589467AF
4589467AG

POSITIONS: Front Left

APPLICATION SUMMARY:
Dodge Nitro 2012-07
Jeep Liberty 2013-08

WQ-004



OE: 4589279AA, 4589279AC, 4589279AD
4589279AH, 4589279AI

POSITIONS: Rear Left

APPLICATION SUMMARY:
Dodge Nitro 2012-07
Jeep Liberty 2013-08

WQ-005



OE: 4589466AB, 4589466AF
4589466AG

POSITIONS: Front Right

APPLICATION SUMMARY:
Dodge Nitro 2012-07
Jeep Liberty 2013-08

WP-008



OE: 4717472, 4717472AB

POSITIONS: Front Right

APPLICATION SUMMARY:
Chrysler 2000-97
Dodge 2000-97
Plymouth 2000-97

WP-009



OE: 4814167, 4814167AB

POSITIONS: Front Left

APPLICATION SUMMARY:
Chrysler Cirrus 2000-97
Chrysler Stratus 1997
Dodge Stratus 2000-97
Plymouth Breeze 2000-97

WP-010



OE: 4814166, 4814166AB

POSITIONS: Front Right

APPLICATION SUMMARY:
Chrysler Cirrus 2000-97
Chrysler Stratus 1997
Dodge Stratus 2000-97
Plymouth Breeze 2000-97

WP-011



OE: 55075951AB

POSITIONS: Front Left

APPLICATION SUMMARY:
Dodge Dakota 1998-97

WQ-006



OE: 4589278AA, 4589278AC, 4589278AD
4589278AF, 4589278AH, 4589278AI

POSITIONS: Rear Right

APPLICATION SUMMARY:
Dodge Nitro 2012-07
Jeep Liberty 2013-08

WQ-007



OE: 4589277AC, 4589277AD, 4589277AE, 4589277AF
4589277AG, 4589277AH, 4589277AK

POSITIONS: Front Left

APPLICATION SUMMARY:
Jeep Wrangler 2017-07
Jeep Wrangler JK 2018

WQ-008



OE: 4589276AB, 4589276AC, 4589276AD, 4589276AE
4589276AF, 4589276AG, 4589276AH

POSITIONS: Front Right

APPLICATION SUMMARY:
Jeep Wrangler 2010-07

WQ-009



OE: 4589422AD, 4589422AF
4589422AG, 4589422AH

POSITIONS: Front Right

APPLICATION SUMMARY:
Chrysler 2010-08
Dodge 2012-08
Jeep 2017-11
Ram 2017-11

WQ-010



OE: 4589275AB, 4589409AA, 4589409AE
4589409AF, 4589409AG
POSITIONS: Front Left

APPLICATION SUMMARY:
Dodge Caliber 2009-07
Jeep Compass 2010-07
Jeep Patriot 2010-07

WQ-011



OE: 4589046AB, 4589416AA, 4589416AE
4589416AF, 4589416AG
POSITIONS: Front Right

APPLICATION SUMMARY:
Dodge Caliber 2009-07
Jeep Compass 2010-07
Jeep Patriot 2010-07

WQ-012



OE: 4589415AE, 4589415AF
4589415AG
POSITIONS: Rear Left

APPLICATION SUMMARY:
Dodge Caliber 2009-07
Jeep Compass 2010-07
Jeep Patriot 2010-07

WQ-013



OE: 4589414AA, 4589414AC, 4589414AE
4589414AF, 4589414AG
POSITIONS: Rear Right

APPLICATION SUMMARY:
Dodge Caliber 2009-07
Jeep Compass 2010-07
Jeep Patriot 2010-07

WQ-022



OE: 4589426AA, 4589426AB
4589426AF, 4589426AG
POSITIONS: Front Right

APPLICATION SUMMARY:
Chrysler Cirrus 2010-07
Chrysler Sebring 2010-07
Dodge Avenger 2010-08

WQ-023



OE: 4589424AC, 4589424AF
POSITIONS: Rear Right

APPLICATION SUMMARY:
Chrysler Cirrus 2010-07
Chrysler Sebring 2010-07
Dodge Avenger 2009-08

WQ-024



OE: 4589916AB, 4589916AC, 4589916AD
4589916AE, 68175234AA
POSITIONS: Front Right

APPLICATION SUMMARY:
Chrysler 2017-11
Dodge 2017-11
Jeep 2017-14

WQ-025



OE: 4589914AB, 4589914AC
4589914AD
POSITIONS: Rear Right

APPLICATION SUMMARY:
Chrysler 2015-11
Dodge 2015-11
Jeep 2015-14

WQ-014



OE: 4589651AB, 4589651AC
4589651AD
POSITIONS: Rear Left

APPLICATION SUMMARY:
Dodge 2013-09
Jeep 2017-11
Ram 2017-11

WQ-015



OE: 4589650AB, 4589650AC
4589650AD
POSITIONS: Rear Right

APPLICATION SUMMARY:
Dodge 2013-09
Jeep 2017-11
Ram 2017-11

WQ-016



OE: 4589441AD
POSITIONS: Front Left

APPLICATION SUMMARY:
CHRYSLER

WQ-017



OE: 4589421AB, 4589421AD
4589421AF, 4589421AG
POSITIONS: Front Left

APPLICATION SUMMARY:
Chrysler Cirrus 2010-07
Chrysler Sebring 2010-07
Dodge Avenger 2010-08

WQ-026



OE: 4589693AA, 4589693AD, 4589693AE, 4589921AD
4589921AE, 4589921AF, 4589921AG
POSITIONS: Front Left

APPLICATION SUMMARY:
Chrysler 2016-11
Dodge 2019-09
Jeep 2019-11
Ram 2015-12

WQ-027



OE: 4589692AA, 4589692AB
POSITIONS: Front Right

APPLICATION SUMMARY:
Dodge Journey 2010-09

WQ-028



OE: 68146027AA, 68146027AB
POSITIONS: Front Left

APPLICATION SUMMARY:
Chrysler 300C 2015
Dodge Journey 2017-13
Jeep Cherokee 2014

WQ-029



OE: 68144016AA
POSITIONS: Front Right

APPLICATION SUMMARY:
Chrysler 300C 2015

WQ-018



OE: 4589425AB, 4589425AF
POSITIONS: Rear Left

APPLICATION SUMMARY:
Chrysler Cirrus 2010-07
Chrysler Sebring 2010-07
Dodge Avenger 2009-08

WQ-019



OE: 4589699AF
POSITIONS: Rear Left

APPLICATION SUMMARY:
Dodge Journey 2010

WQ-020



OE: 4589913AB, 4589913AC, 4589913AD
4589913AE, 4589913AF, 68175231AA
POSITIONS: Front Left

APPLICATION SUMMARY:
Chrysler 2017-11
Dodge 2017-11
Jeep 2017-14

WQ-021



OE: 4589915AA, 4589915AB
4589915AC, 4589915AD
POSITIONS: Rear Left

APPLICATION SUMMARY:
Chrysler 2015-11
Dodge 2015-11
Jeep 2015-14

WQ-030



OE: 4589924AA, 4589924AB, 4589924AC, 4589924AD
4589924AE, 4589924AF, 4589924AG, 4589924AH
POSITIONS: Front Right

APPLICATION SUMMARY:
Dodge Durango 2019-11
Jeep Grand Cherokee 2019-11

WQ-031



OE: 4589919AB, 4589919AC
4589919AD
POSITIONS: Front Left

APPLICATION SUMMARY:
Chrysler 300 2012
Dodge Journey 2012-11

WQ-032



OE: 4589920AB, 4589920AC
4589920AD
POSITIONS: Front Right

APPLICATION SUMMARY:
Chrysler 300 2012
Dodge Journey 2012-11

WQ-033



OE: 68146023AA
POSITIONS: Front Left

APPLICATION SUMMARY:
Chrysler 300 2015-13
Chrysler 300C 2015-14
Dodge Journey 2015-13
Jeep Cherokee 2015-14

WQ-034



OE: 68146026AA, 68146026AB
68146026AC
POSITIONS: Front Right

APPLICATION SUMMARY:
Chrysler 300 2015-13
Chrysler 300C 2014
Dodge Journey 2015-13
Jeep Cherokee 2015-14

WQ-039



OE: 04589697AD
POSITIONS: Rear Left

APPLICATION SUMMARY:
DODGE JOURNEY 3.5L V6

WQ-040



OE: 04589696AD
POSITIONS: Rear Right

APPLICATION SUMMARY:
CHRYSLER 200
DODGE AVENGER JOURNEY

WQ-059



OE: 4589923AA, 4589923AB, 4589923AC, 4589923AD
4589923AE, 4589923AF, 4589923AG, 4589923AH
POSITIONS: Rear Left

APPLICATION SUMMARY:
Dodge Durango 2021-11
Jeep Grand Cherokee 2021-11

WF-001



OE: 5017678AA
POSITIONS: Actuator

APPLICATION SUMMARY:
Chrysler 2008-01
Dodge 2007-01

WX-001



OE: 5056244AA, 5056244AB
5056244AC
POSITIONS: Tailgate

APPLICATION SUMMARY:
Chrysler 2017-05
Dodge 2017-06

WX-002



OE: 4589217AF
POSITIONS: Tailgate

APPLICATION SUMMARY:
Chrysler 2022-07
Dodge 2022-08

WW-001



OE: 55362102AB
POSITIONS: Tailgate

APPLICATION SUMMARY:
Dodge Durango 2005-04

WQ-060



OE: 4589922AB, 4589922AC, 4589922AD, 4589922AE
4589922AF, 4589922AG, 4589922AH
POSITIONS: Rear Right

APPLICATION SUMMARY:
Dodge Durango 2021-11
Jeep Grand Cherokee 2021-11

WY-001



OE: 55028982, 55076091, 55347099
55347099AC, 55347099AD, 55347099AE
POSITIONS: Right

APPLICATION SUMMARY:
Dodge 2003-95

M8-001



OE: 5133998AA
POSITIONS: Actuator

APPLICATION SUMMARY:
Dodge Sprinter 2500 2006-03
Dodge Sprinter 3500 2006-03

M8-002



OE: 5133998AA
POSITIONS: Rear

APPLICATION SUMMARY:
Dodge Sprinter 2500 2006-03
Dodge Sprinter 3500 2006-03

WW-002



OE: 4589176AA, 4589176AB
4589176AC
POSITIONS: Actuator

APPLICATION SUMMARY:
Dodge Caliber 2012-07
Jeep Compass 2017-07
Jeep Grand Cherokee 2006-05

WW-003



OE: 04589176AC
POSITIONS: Tailgate Latch

APPLICATION SUMMARY:
Jeep Patriot
Jeep Compass
Dodge Caliber

MI-001



OE: 4717674AA, 4717674AC, 4717674AD, 4717674AE
4717674AF, 4717674AG, 5019040AA
POSITIONS: Tailgate

APPLICATION SUMMARY:
Chrysler 2005-01
Dodge 2005-01

MI-002



OE: 4719860AA, 4719860AB
4719860AC
POSITIONS: Tailgate

APPLICATION SUMMARY:
Chrysler 2007-06
Dodge 2007-06

MO-001



OE: 55360357AA, 55360357AB
55360357AC
POSITIONS: Liftgate Glass

APPLICATION SUMMARY:
Jeep Commander 2010-06
Jeep Grand Cherokee 2010-05
Jeep Liberty 2012-02

MJ-001



OE: 4589243AA, 4589243AB, 4589243AC
4589243AD, 4589243AG
POSITIONS: Actuator

APPLICATION SUMMARY:
Chrysler 2016-08
Dodge 2017-07
Jeep 2017-06

W6-001



OE: 5018479AB
POSITIONS: Actuator

APPLICATION SUMMARY:
Jeep Grand Cherokee 2004-99

W7-001



OE: 4717960AC, 4717961AB
POSITIONS: Right Side Sliding Door, Left Side Sliding Door

APPLICATION SUMMARY:
Town & Country
Caravan
Grand Caravan 07-01
Voyager 03-01

MK-001



OE: 55256899AB, 55256899AC
55362041AA, 55362052AA
POSITIONS: Tailgate

APPLICATION SUMMARY:
Dodge Durango 2003-98

S4-001



OE: 4589688AB, 4589688AC
4589688AD, 4589688AE
POSITIONS: Hood Latch

APPLICATION SUMMARY:
Dodge Durango 2015-11
Jeep Grand Cherokee 2015-11

S4-002



OE: 04589828AA
POSITIONS: Hood Latch

APPLICATION SUMMARY:
Chrysler 200 2014-11
Dodge Avenger 2014-09
Dodge Journey 2020-09

S4-003



OE: 68237158AB
POSITIONS: Hood Latch

APPLICATION SUMMARY:
Jeep Cherokee M 2014-21

CHRYSLER

DOOR LOCK ACTUATOR & TAILGATE LOCK

S4-004



OE: 68261142AA

POSITIONS: Hood Latch

APPLICATION SUMMARY:
Chrysler 300
Dodge Charger 2011-2021

S5-001



OE: 4717515AA, 4717515AB
4717515AC

POSITIONS: Hood Latch

APPLICATION SUMMARY:
Chrysler 2007-01
Dodge 2007-01

S6-001



OE: 4589231AA, 5020846AA

POSITIONS: Hood Latch

APPLICATION SUMMARY:
Chrysler Town & Country 2016-08
Chrysler Voyager 2008
Dodge Grand Caravan 2017-08
Ram C/V 2015-12

SF-003



OE: 68110603AA

POSITIONS: Actuator

APPLICATION SUMMARY:
Chrysler Pacifica 2017
Dodge Durango 2018-14
Jeep Cherokee 2017-14
Jeep Grand Cherokee 2019-14

J6-001



OE: 68226175AB

POSITIONS: Cargo Sliding Door

APPLICATION SUMMARY:
Ram 2019-16

J6-002



OE: 68226180AB, 68226180AC
68226180AD

POSITIONS: Right Side Sliding Door

APPLICATION SUMMARY:
Ram ProMaster 1500 2017-14
Ram ProMaster 2500 2017-14
Ram ProMaster 3500 2017-14

J7-001



OE: 4589656AF

POSITIONS: Liftgate Lock Actuator

APPLICATION SUMMARY:
Dodge Durango 2019-11
Jeep Cherokee 2018-14
Jeep Grand Cherokee 2019-11

WB-001



OE: 4690492AB, 4690494AB
4690495AB, 4690591AA

POSITIONS: Ignition Switch Actuator Pin

APPLICATION SUMMARY:
Chrysler 2006-96
Dodge 2006-95
Jeep 2007-97
Plymouth 2001-95

WE-001



OE: 68088259AA, 68088259AB

POSITIONS: Transmission Shift Interlock Latch

APPLICATION SUMMARY:
Chrysler 300 2007-05
Chrysler Pacifica 2008-05
Dodge Charger 2007-06
Dodge Magnum 2007-05

W0-001



OE: 4685863AA, 4685990AA

POSITIONS: Ignition Actuator Pin

APPLICATION SUMMARY:
Chrysler 300 2007-05
Chrysler Pacifica 2008-04
Dodge Charger 2007-06
Dodge Magnum 2007-05

HG-001



OE: 68030381AE

POSITIONS: Door Lock Actuator - Integrated With Latch

APPLICATION SUMMARY:
Chrysler 2016-08
Dodge 2016-08
Ram 2015-12

TOYOTA

DOOR LOCK ACTUATOR & TAILGATE LOCK

MM-001



OE: 69030-47060

POSITIONS: Front Right

APPLICATION SUMMARY:
Toyota Prius 2012-04

MM-002



OE: 69040-47060

POSITIONS: Front Left

APPLICATION SUMMARY:
Toyota FJ Cruiser 2014-07
Toyota Prius 2012-04
Toyota Yaris 2015-07

MM-003



OE: 69030-52470

POSITIONS: Front Right

APPLICATION SUMMARY:
Toyota FJ Cruiser 2014-07
Toyota Yaris 2015-07

MM-004



OE: 69040-04030, 69040-AC070

POSITIONS: Front Left

APPLICATION SUMMARY:
Toyota Avalon 2012
Toyota Tacoma 2015-05

MM-005



OE: 69030-04030

POSITIONS: Front Right

APPLICATION SUMMARY:
Toyota Tacoma 2015-05

MN-001



OE: 69040-04010

POSITIONS: Front Left

APPLICATION SUMMARY:
Toyota Tacoma 2004-98

MN-002



OE: 69030-04010

POSITIONS: Front Right

APPLICATION SUMMARY:
Toyota Tacoma 2004-98

MU-002



OE: 69040-02120, 69040-33221
69040-AA050

POSITIONS: Front Left

APPLICATION SUMMARY:
Lexus 2009-02
Scion 2010-04
Toyota 2011-02

MU-003



OE: 69040-06180, 69040-0C050
69040-42250

POSITIONS: Front Left

APPLICATION SUMMARY:
Lexus 2016-07
Scion 2016-08
Toyota 2016-06

MU-005



OE: 69030-02130, 69030-33221
69030-AA050

POSITIONS: Front Right

APPLICATION SUMMARY:
Scion 2010-04
Toyota 2010-02

MU-006



OE: 69030-06200, 69030-0C050
69030-42230

POSITIONS: Front Right

APPLICATION SUMMARY:
Lexus 2016-07
Scion 2016-08
Toyota 2016-06
Toyota 2002-00

MU-007



OE: 69040-53100

POSITIONS: Front Left

APPLICATION SUMMARY:
Lexus RX300
RX350

MU-008



OE: 69030-53090

POSITIONS: Front Right

APPLICATION SUMMARY:
Lexus RX300
RX350

MU-009

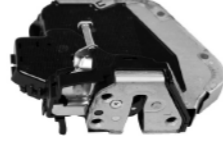


OE: 69060-60110

POSITIONS: Rear Left

APPLICATION SUMMARY:
Lexus RX300
RX350

MU-010



OE: 69050-60110

POSITIONS: Rear Right

APPLICATION SUMMARY:
Lexus RX300
RX350

W3-001



OE: 6460006010

POSITIONS: Tailgate

APPLICATION SUMMARY:
Toyota Camry 2011-07

JH-001



OE: 6904002440

POSITIONS: Front Left

APPLICATION SUMMARY:
Lexus 2021-16
Toyota 2021-13

JH-002



OE: 6903002380

POSITIONS: Front Right

APPLICATION SUMMARY:
Lexus 2021-16
Toyota 2021-14

SU-001



OE: 6935008020, 6935008040

POSITIONS: Tailgate Latch

APPLICATION SUMMARY:
Toyota Sienna 2019-11

H4-001



OE: 6911035062, 6911035060
6911035090

POSITIONS: Liftgate

APPLICATION SUMMARY:
Toyota 4Runner 2009-03

W3-002



OE: 6460006041

POSITIONS: Tailgate

APPLICATION SUMMARY:
Toyota Avalon 2018-13
Toyota Camry 2017-12

WN-001



OE: 693010C010

POSITIONS: Tailgate

APPLICATION SUMMARY:
Toyota Sequoia 2007-01

ML-001



OE: 69040-02060

POSITIONS: Front Left

APPLICATION SUMMARY:
Toyota Corolla 2002-00

ML-002



OE: 69030-02060

POSITIONS: Front Right

APPLICATION SUMMARY:
Toyota Corolla 2002-00

746-634



OE: 691200D021, 69120-52030

POSITIONS: Front Left

APPLICATION SUMMARY:
Scion xB 2006-04
Toyota Echo 2005-00

WI-001



OE: 6912042080

POSITIONS: Front Left

APPLICATION SUMMARY:
Toyota RAV4 2005-00

WL-001



OE: 8562008060, 8562008061

POSITIONS: Right Side Sliding Door

APPLICATION SUMMARY:
Toyota Sienna 2010-04

WL-002



OE: 8562009071

POSITIONS: Door Lock Actuator - Non Integrated

APPLICATION SUMMARY:
Toyota

J4-001



OE: 6460002031, 6460002030

POSITIONS: Tailgate Latch

APPLICATION SUMMARY:
Toyota Corolla 2019-14

MU-001



OE: 72150TR0A11

POSITIONS: Front Left

APPLICATION SUMMARY:
Acura MDX 2017-14
Acura RDX 2018-13
Honda Civic 2015-12

MU-004



OE: 72110TR0A11

POSITIONS: Front Right

APPLICATION SUMMARY:
Acura MDX 2017-14
Acura RDX 2018-13
Honda Civic 2015-12

W5-001



OE: 72115-SV4-A01

POSITIONS: Front Right

APPLICATION SUMMARY:
Honda Accord 1997-94

W5-002



OE: 72155-SV4-21

POSITIONS: Actuator

APPLICATION SUMMARY:
HONDA 97-94

WA-005



OE: 72155-S04-A02

POSITIONS: Front Left

APPLICATION SUMMARY:
Honda Civic 2000-96

M7-001



OE: 72115SDAA01

POSITIONS: Front Right; Rear Right

APPLICATION SUMMARY:
Acura TL 2008-04
Acura TSX 2008-04
Honda Accord 2007-03
Honda Ridgeline 2014-06

M7-002



OE: 72155SDAA01

POSITIONS: Front Left, Rear Left

APPLICATION SUMMARY:
Acura TL 2008-04
Acura TSX 2008-04
Honda Accord 2007-03
Honda Ridgeline 2014-06

WG-001



OE: 72115S6AJ01

POSITIONS: Front Right; Rear Right

APPLICATION SUMMARY:
Acura RSX 2006-02
Honda Accord 2007-03
Honda CR-V 2004
Honda Odyssey 2010-05
Honda Pilot 2008-03

W8-001



OE: 72115S5A003, 72115S84A01

POSITIONS: Actuator

APPLICATION SUMMARY:
Honda 2009-98

W8-002



OE: 72615S5A003, 72615S84A01

POSITIONS: Rear Right

APPLICATION SUMMARY:
Honda Accord 2002-98
Honda Civic 2005-01

W8-003



OE: 72115S84A11

POSITIONS: Front Right

APPLICATION SUMMARY:
Acura CL 2003-01
Acura MDX 2006-01
Acura TL 2003-99
Honda Accord 2002-98
Honda Odyssey 2004-01

W9-001



OE: 72155S5AA01, 72155S84A11

POSITIONS: Front Left

APPLICATION SUMMARY:
Acura 2006-99
Honda 2009-98

WH-001



OE: 72155S5PA11

POSITIONS: Front Right; Rear Right

APPLICATION SUMMARY:
Acura 2006-02
Honda 2011-01

WD-001



OE: 72155S03J11

POSITIONS: Front Left

APPLICATION SUMMARY:
Honda CR-V 2001-97
Honda Prelude 2001-00
Honda Prelude 1998-97

WD-002



OE: 72115S03G11

POSITIONS: Front Right

APPLICATION SUMMARY:
Honda CR-V 2001-97
Honda Prelude 2001-00
Honda Prelude 1998-97

MA-001



OE: 74896-S6M-A01

POSITIONS: Actuator

APPLICATION SUMMARY:
Acura RSX 2006-02

WA-001



OE: 72115S00A01, 72115S04A02
72615S04J02

POSITIONS: Front Right, Rear Right

APPLICATION SUMMARY:
Honda Civic 2000-96

WA-002



OE: 72655-S04-J02

POSITIONS: Rear Left

APPLICATION SUMMARY:
Honda Civic 2000-96

WA-003



OE: 72155-S00-A01

POSITIONS: Front Left

APPLICATION SUMMARY:
Honda Civic 2000-96

WA-004



OE: 72663-S0X-A01

POSITIONS: Rear Left

APPLICATION SUMMARY:
Honda Odyssey 2004-99

MA-002



OE: 74896-SAA-003

POSITIONS: Actuator

APPLICATION SUMMARY:
Honda Fit 2008-07

SN-001



OE: 74896-S05-003

POSITIONS: Actuator

APPLICATION SUMMARY:
Acura MDX 2006-01
Honda Element 2011-03
Honda Odyssey 2004-99
Honda Pilot 2008-03

SW-001



OE: 74851SDAA22

POSITIONS: Tailgate Latch

APPLICATION SUMMARY:
TL (UA6) 2006-2007

SX-001



OE: 74851TA0A01

POSITIONS: Tailgate Latch

APPLICATION SUMMARY:
Accord

J1-001



OE: 72663SHJ2A1

POSITIONS: Actuator

APPLICATION SUMMARY:
ODYSSEY

J2-001



OE: 72623SHJA11

POSITIONS: Actuator

APPLICATION SUMMARY:
ODYSSEY

JF-001



OE: 72150SWAA01

POSITIONS: Front Left

APPLICATION SUMMARY:
CRV

JF-002



OE: 72110SWAD01

POSITIONS: Front Right

APPLICATION SUMMARY:
CRV

JF-003



OE: 72650SWAA01

POSITIONS: Rear Left

APPLICATION SUMMARY:
CRV

JF-004



OE: 72610SWAA01

POSITIONS: Rear Right

APPLICATION SUMMARY:
CRV

MM-006



OE: 72150T0AA02

POSITIONS: Front Left

APPLICATION SUMMARY:
Acura ILX 2019-13
Acura RLX 2016-14
Honda Accord 2017-16
Honda Accord 2014-13
Honda CR-V 2013

M7-003



OE: 80501-EA501, 80501-ZP00A
80501-ZP70A, 80501-ZS11A

POSITIONS: Front Left

APPLICATION SUMMARY:
Nissan Frontier 2018-05
Nissan Pathfinder 2012-05
Nissan Xterra 2015-05

M7-004



OE: 82501-ZP60A, 82501ZS31Z

POSITIONS: Rear Left

APPLICATION SUMMARY:
Nissan Frontier 2018-05

M7-005



OE: 80500ZS32Z

POSITIONS: Front Right

APPLICATION SUMMARY:
Nissan Pathfinder 2012-08

M7-006



OE: 80500-EA000, 80500-ZP00A
80500-ZP70A

POSITIONS: Front Right

APPLICATION SUMMARY:
Nissan Frontier 2018-05
Nissan Pathfinder 2007-05
Nissan Xterra 2015-05

M5-001



OE: 82501-7S00A

POSITIONS: Rear Left

APPLICATION SUMMARY:
Infiniti QX56 2007-04
Nissan Armada 2007-05
Nissan Pathfinder Armada 2004

M5-002



OE: 80501-9FG0A, 80501ZH000, 80501ZH00A, 80501-ZH01A
80501-ZQ00B, 80501-ZQ01B, 80501-ZT01A

POSITIONS: Front Left

APPLICATION SUMMARY:
Infiniti QX56 2007-05
Nissan Armada 2011-05
Nissan Titan 2012-05

M5-003



OE: 82501-ZQ00A

POSITIONS: Rear Left

APPLICATION SUMMARY:
Infiniti QX56 2010-08
Nissan Armada 2012-08

M5-004



OE: 80501-CA01A

POSITIONS: Front Left

APPLICATION SUMMARY:
Nissan Murano 2004-03

M5-005



OE: 82501-CA02B

POSITIONS: Rear Left

APPLICATION SUMMARY:
Nissan Murano 2007-03

M5-006



OE: 80501-CB81A, 80501-CB81B

POSITIONS: Front Left

APPLICATION SUMMARY:
Nissan Murano 2007-05

M5-007



OE: 80501-CB80B

POSITIONS: Front Left

APPLICATION SUMMARY:
Nissan Murano 2007-05

M5-008



OE: 80501-ZF00A

POSITIONS: Front Left

APPLICATION SUMMARY:
Nissan Quest 2008-05

M5-009



OE: 80501-EL000, 80501-EL00B

POSITIONS: Front Left

APPLICATION SUMMARY:
Nissan Tiida 2013-05
Nissan Versa 2011-07

M5-010



OE: 82501-EL00B, 82501-EL00C

POSITIONS: Rear Left

APPLICATION SUMMARY:
Nissan Tiida 2013-05
Nissan Versa 2013-07

M5-011



OE: 80501-7S21A

POSITIONS: Front Left

APPLICATION SUMMARY:
Nissan Titan 2004

M5-012



OE: 80501-ZT00B, 80501-ZT01B

POSITIONS: Front Left

APPLICATION SUMMARY:
Nissan Titan 2012-05

M5-021



OE: 80500-EL010, 80500-EL01B

POSITIONS: Front Right

APPLICATION SUMMARY:
Nissan Tiida 2013-05
Nissan Versa 2010-07

M5-022



OE: 82500-EL00B, 82500-EL00C

POSITIONS: Rear Right

APPLICATION SUMMARY:
Nissan Tiida 2013-05
Nissan Versa 2013-07

M5-023



OE: 80500-ZQ00B, 80500-ZQ01B
80500-ZZ90A

POSITIONS: Front Right

APPLICATION SUMMARY:
Nissan Armada 2012-08

M5-024



OE: 80500-7S21A

POSITIONS: Front Right

APPLICATION SUMMARY:
Nissan Titan 2004

M5-013



OE: 82501-8S51A

POSITIONS: Rear Left

APPLICATION SUMMARY:
Nissan Titan 2014-04

M5-014



OE: 82500-7S00A

POSITIONS: Rear Right

APPLICATION SUMMARY:
Infiniti QX56 2007-04
Nissan Armada 2007-05
Nissan Pathfinder Armada 2004

M5-015



OE: 82500-ZQ00A

POSITIONS: Rear Right

APPLICATION SUMMARY:
Infiniti QX56 2010-08
Nissan Armada 2012-08

M5-016



OE: 80500-CA01A

POSITIONS: Front Right

APPLICATION SUMMARY:
Nissan Murano 2004-03

M5-025



OE: 80500-8S51A

POSITIONS: Front Right

APPLICATION SUMMARY:
Nissan Titan 2008-05

M5-026



OE: 80500-9FG0B, 80500-ZT00B

POSITIONS: Front Right

APPLICATION SUMMARY:
Nissan Titan 2012-09

M5-027



OE: 82500-8S51A

POSITIONS: Rear Right

APPLICATION SUMMARY:
Nissan Titan 2014-04

M6-001



OE: 80501-JA000, 80501-ZX60A

POSITIONS: Front Left

APPLICATION SUMMARY:
Nissan Altima 2012-07

M5-017



OE: 82500-CA028

POSITIONS: Rear Right

APPLICATION SUMMARY:
Nissan Murano 2007-03

M5-018



OE: 80500-CB81A

POSITIONS: Front Right

APPLICATION SUMMARY:
Nissan Murano 2007-05

M5-019



OE: 80500-CB80A

POSITIONS: Front Right

APPLICATION SUMMARY:
Nissan Murano 2007-05

M5-020



OE: 80500-ZF00A

POSITIONS: Front Right

APPLICATION SUMMARY:
Nissan Quest 2008-05

M6-002



OE: 80501-JB100

POSITIONS: Front Left

APPLICATION SUMMARY:
Nissan Altima 2013-08

M6-003



OE: 80501-1AA1A

POSITIONS: Front Left

APPLICATION SUMMARY:
Nissan Murano 2010-08

M6-004



OE: 80501-1AA0A

POSITIONS: Front Left

APPLICATION SUMMARY:
Nissan Murano 2014-08

M6-005



OE: 80501-JM10A

POSITIONS: Front Left

APPLICATION SUMMARY:
Nissan Rogue 2015-08

M6-006



OE: 80501-ET90A

POSITIONS: Front Left

APPLICATION SUMMARY:
Nissan Sentra 2011-07

M6-007



OE: 80501-ET200

POSITIONS: Front Left

APPLICATION SUMMARY:
Nissan Sentra 2011-07

M6-008



OE: 82501-JA00A, 82501-ZX60A

POSITIONS: Rear Left

APPLICATION SUMMARY:
Nissan Altima 2012-07

M6-009



OE: 82501-1AA0A

POSITIONS: Rear Left

APPLICATION SUMMARY:
Nissan Murano 2014-08

M6-018



OE: 82500-JM00A

POSITIONS: Rear Right

APPLICATION SUMMARY:
Nissan Rogue 2015-08

M6-019



OE: 80500-ET200

POSITIONS: Front Right

APPLICATION SUMMARY:
Nissan Sentra 2011-07

M6-020



OE: 80500-ET20A

POSITIONS: Front Right

APPLICATION SUMMARY:
Nissan Sentra 2011-07

M6-021



OE: 82500-ET200

POSITIONS: Rear Right

APPLICATION SUMMARY:
Nissan Sentra 2011-07

M6-010



OE: 82501-JM00A

POSITIONS: Rear Left

APPLICATION SUMMARY:
Nissan Rogue 2015-08

M6-011



OE: 82501-ET200

POSITIONS: Rear Left

APPLICATION SUMMARY:
Nissan Sentra 2011-07

M6-012



OE: 80500-JA000, 80500-ZX60A

POSITIONS: Front Right

APPLICATION SUMMARY:
Nissan Altima 2012-07

M6-013



OE: 80500-JB100

POSITIONS: Front Right

APPLICATION SUMMARY:
Nissan Altima 2013-08

M6-014



OE: 82500-JA00A, 82500-ZX60A

POSITIONS: Rear Right

APPLICATION SUMMARY:
Nissan Altima 2012-07

M6-015



OE: 80500-1AA0A

POSITIONS: Front Right

APPLICATION SUMMARY:
Nissan Murano 2014-08

M6-016



OE: 82500-1AA0A

POSITIONS: Rear Right

APPLICATION SUMMARY:
Nissan Murano 2014-08

M6-017



OE: 80500-JM00A

POSITIONS: Front Right

APPLICATION SUMMARY:
Nissan Rogue 2015-08

HYUNDAI & KIA

DOOR LOCK ACTUATOR & TAILGATE LOCK

M5-032



OE: 81320-2B030

POSITIONS: Front Right

APPLICATION SUMMARY:
Hyundai Santa Fe 2009-06

M5-033



OE: 813102H030

POSITIONS: Front Left

APPLICATION SUMMARY:
Hyundai Elantra 2010-07

H3-001



OE: 813100W000

POSITIONS: Front Left

APPLICATION SUMMARY:
Hyundai Santa Fe 2012-10

H3-002



OE: 813203S020

POSITIONS: Front Right

APPLICATION SUMMARY:
Hyundai Sonata 2014-11

H3-003



OE: 814103S000

POSITIONS: Rear Left

APPLICATION SUMMARY:
Hyundai Sonata 2014-11

H3-004



OE: 814203S000

POSITIONS: Rear Right

APPLICATION SUMMARY:
Hyundai Sonata 2014-11

H5-001



OE: 95750-1F020

POSITIONS: Actuator

APPLICATION SUMMARY:
Kia Sportage 2010-05

H7-001



OE: 95735-3E010

POSITIONS: Actuator Front Left

APPLICATION SUMMARY:
Kia Sorento 2009-03

H7-002



OE: 95736-3E010

POSITIONS: Actuator

APPLICATION SUMMARY:
Kia Sorento 2009-03

H7-003



OE: 95746-3E000

POSITIONS: Actuator Rear Right

APPLICATION SUMMARY:
Kia Sorento 2009-03

H7-004



OE: 95735-2F030

POSITIONS: Actuator

APPLICATION SUMMARY:
Kia Spectra 2009-07
Kia Spectra5 2009-07

MACK & OTHERS

DOOR LOCK ACTUATOR & TAILGATE LOCK

SA-001



OE: 82785360

POSITIONS: Hood Latch

APPLICATION SUMMARY:
Mack CHN 2007-05

SA-002



OE: 82785361

POSITIONS: Hood Latch

APPLICATION SUMMARY:
Mack CHN 2007-05

SC-001

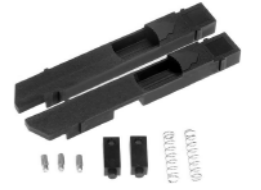


OE: 90904100430

POSITIONS: Hood Latch

APPLICATION SUMMARY:
Mack MR 2007-00

SJ-001



OE: 2610206C91, 2610206C92

POSITIONS: Bus Window Latch Kit

APPLICATION SUMMARY:
IC 2014-05
IC Corporation 2018-05

JB-001



OE: R561114

POSITIONS: Door Lock Front left

APPLICATION SUMMARY:
Kenworth 2015-05

JB-002



OE: R561114R

POSITIONS: Door Lock Front Right

APPLICATION SUMMARY:
Kenworth 2015-05

JE-001



OE: R566049

POSITIONS: Actuator Front Left & Front Right

APPLICATION SUMMARY:
Peterbilt 2020-16

JE-002



OE: R566048

POSITIONS: Actuator Front

APPLICATION SUMMARY:
Peterbilt 587 2018-16