



ZHEJIANG TIANYUE AUTOMOBILE PARTS CO., LTD.

浙江天岳汽车电器有限公司

DOOR LOCK ACTUATOR & TAILGATE LOCK

www.tian-yue.com



Since 1984



About 关于我们



Since 1984
Professional
Manufacturer



2 大研发基地
2 R&D Manufacturing Base
Zhejiang Tianyue & Jiangxi Tianyue



Covering area
占地面积
10000m²



Staff
员工
150+

浙江天岳汽车电器有限公司始创于1984年，企业以科技创新、自主研发、持续发展、开拓进取之精神。目前，企业已发展成为拥有专业制造汽车电动门锁系列产品生产能力的公司，并形成了优势技术资源整合与综合利用的研发、制造、销售的产业集群。

研发中心：集设计、试制、分析评价（CAD、CAM、CAE）综合为一体，参与客户合作交流，

提供应用技术方案；注塑、压铸冲制模具自主设计制造，为精确、快速的产品开发提供技术保证。

测试中心：全套性能和环境可靠性试验设备，为新品标准试验提供准确的数据支撑，对批产产品进行品质监控。

制造技术：具备先进的数控机加工、注塑、压铸、冲压拉伸、电泳喷塑等基础加工和专业制造工艺设备，为规模生产优质产品和成本改善提供生产保证。

质量体系：ISO/TS16949体系的有效运行，对产品质量过程控制和持续改进，为顾客提供完美价值的产品。

Zhejiang Tianyue Automobile Parts Co.,Ltd. was found in 1984,The company sticks to the spirit of science innovation,self research & development, continuous development and progress. At Present , the company has successfully developed into a professional manufacturer of serial Automobile Door Lock Actuator & Tailgate locks.

R&D Center: with the capability of Design, Trial-Run, and Analysis(CAD,CAM,CAE),the company could cooperate and communicate with customers, and provide technical actions; With the capability of design Injection Molding Die, Casting Die and stamping Die, the Company could timely and precisely guarantee product development.

Test Center: the company is equipped with systematical equipments and gages; it could provide precise data for new product and control the product quality.

Manufacturing Technology: the company owns numerical controlled machines with capability of Injection, Casting, Stamping, and Painting, which guarantee the part quality & decrease the cost.

Quality System: the company implements ISO/TS16949 systems, which control the part quality and make continuous progress, and provide customers the best quality with the most competitive price.





Zhejiang Tianyue Growing History

浙江天岳发展历程

Ruian Automobile Parts Factory was founded in 1984

1984年瑞安市汽车电器厂成立

1984

Buliding the factory in 3RD the North Yanhe Road in 1992

1992年在沿河北路3号投建厂房

1992

Renamed Zhejiang Tianyue Automobile Parts Co.,Ltd. in 2000, which are specialized in door lock actuator

2000年更名为浙江天岳汽车电器有限公司，主要生产汽车门锁

2000

The strategy partner with Dorman in North America market in 2008

2008年美国DORMAN成为战略伙伴

2008

Jiangxi Tianyue Automobile Parts Co.,Ltd. was founded in 2005, which are specialized in steering column and shaft

2005年江西天岳汽车电器有限公司成立，主要生产转向管柱及转向轴

2005

Passed ISO16949 in 2004, entering OEM Market

2004年通过ISO16949，进入OEM配套

2004

Research and develop of high-end door locks in 2012

2012年汽车门锁高端产品的研发

2012

Intelligent Production workshop was set up in 2016

2016年组建门锁智能生产车间

2016

Starting comprehensive partnership of cooperation with European famous brands in 2019

2019年与欧洲多家世界知名品牌全面合作

2019

Hand in hand to create brilliant

携手并肩 共创辉煌

2024

Production workshop

生产车间



Intelligent Production Workshop

智能生产车间

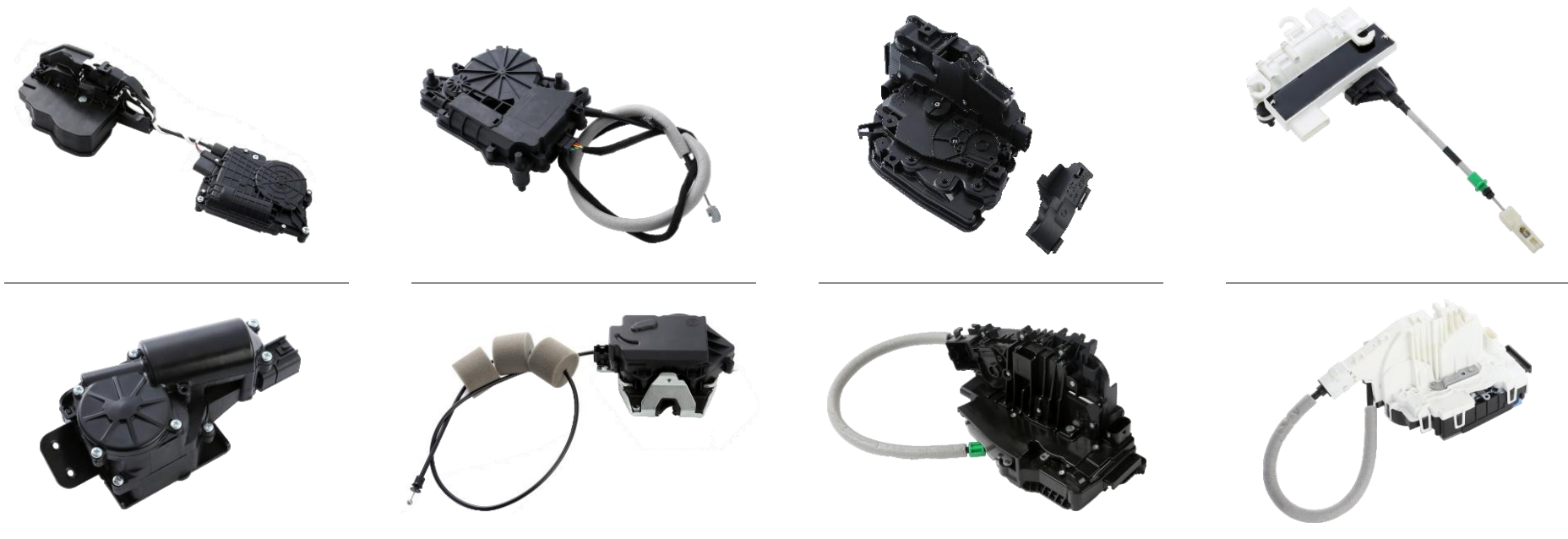


Laboratory

实验室



Our Products 我们的产品

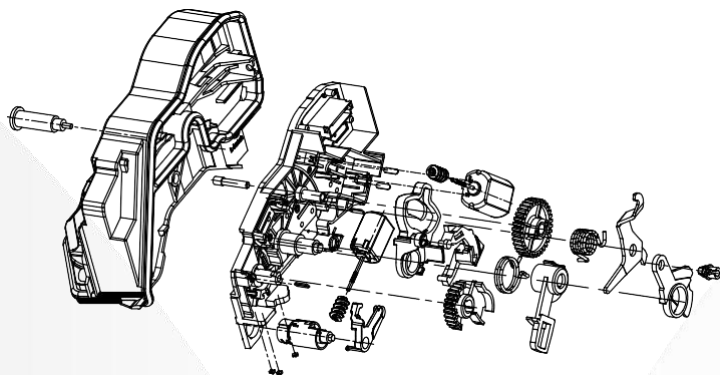


Applicable Models 适用车型

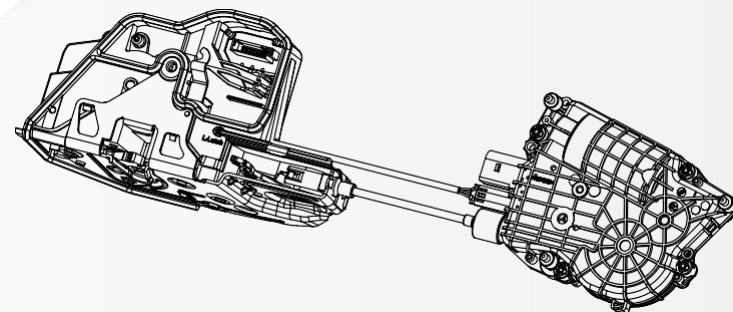


Power door lock control exploded drawing

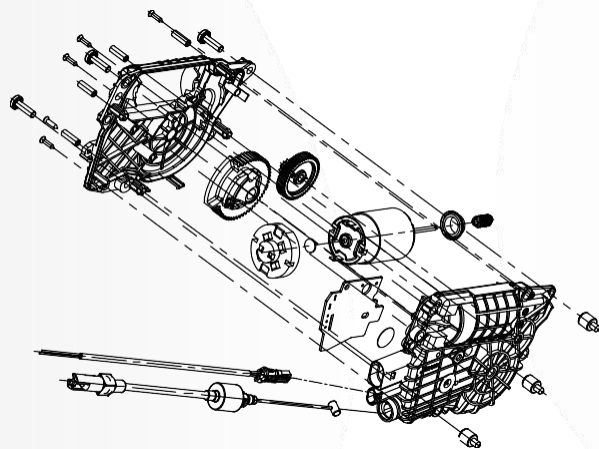
电控门锁爆炸图



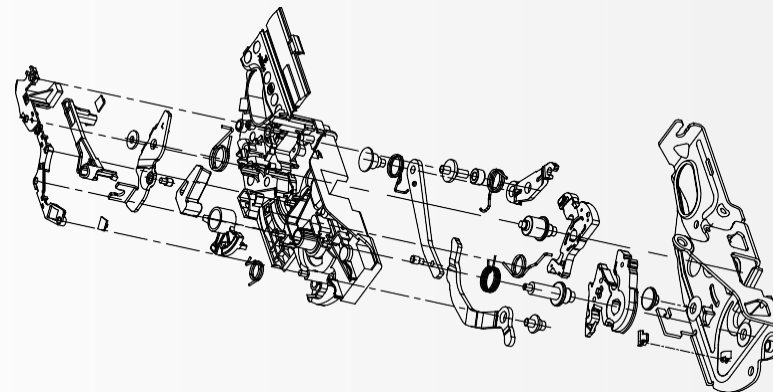
Power control component 电控组件



Self-priming power door lock control assembly 自吸电控门锁总成



Self-priming soft close component 自吸软关组件



Lock mechanism component 锁机组件

Marketing Network

营销网络

天岳对全球超过30个国家进行产品出口，跟国内多家主机厂进行配套业务。

Tianyue products exports to more than 30 countries around the world and cooperation with several domestic OEMs supporting.





Our Honor

我们的荣誉

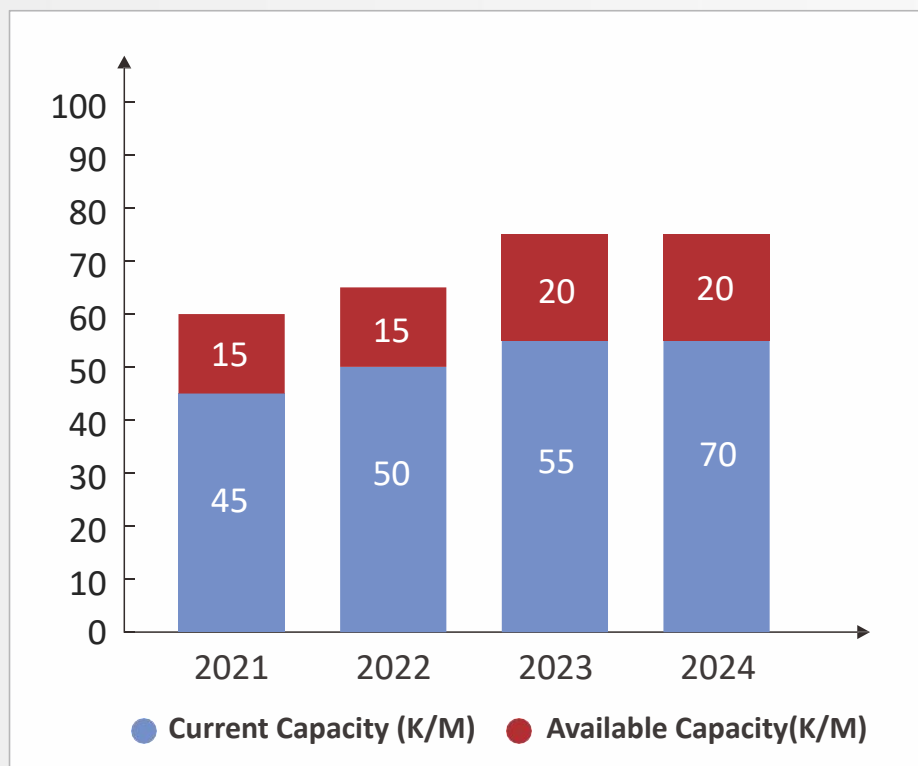
公司通过并执行IATF16949:2016质量管理体系认证
天岳拥有超过27项专利,
其中包含2项发明专利。

The company passed and implemented
IATF16949:2016 quality management system certification
Tianyue has more than 27 active patents,
including 2 patents for invention



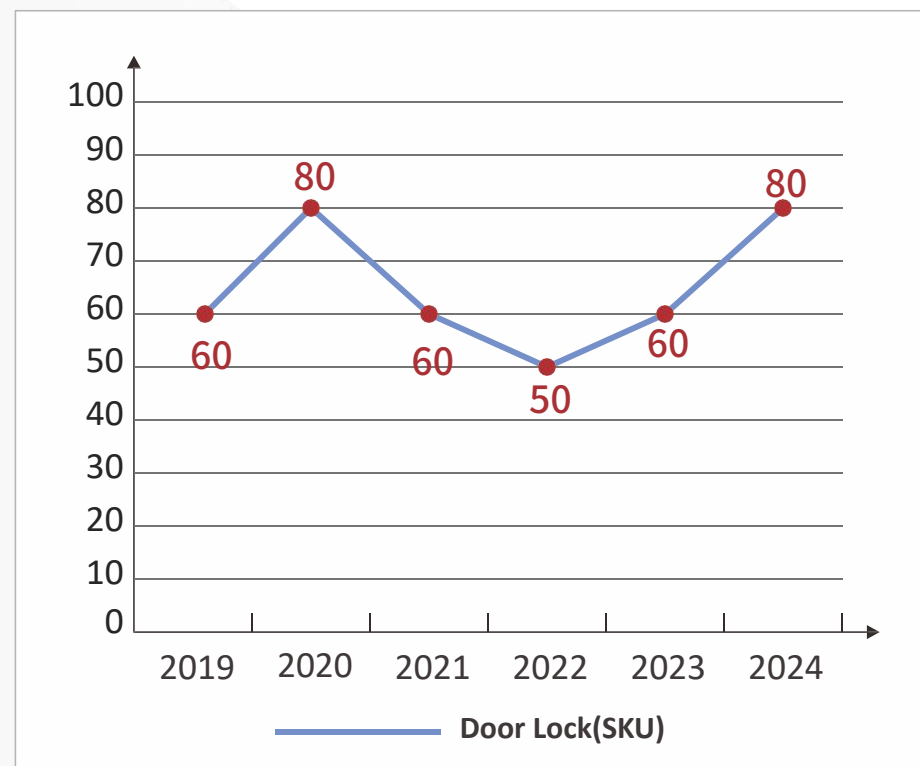
Production Capacity

生产能力



Development Capacity

开发能力





The Tianyue latches in numbers

天岳门锁的数据

Tianyue produces far more than

800 thousand

latches every year

天岳每年生产超过**80万**把门锁

In more than

8000 engineering hours

per year the future innovations are created

从每年超过**8000小时**的实验中
成就出了明日创新

The static strength of a Tianyue

latch is up to **1.5 tons**

每把天岳门锁都必须通过**1.5吨**的撕拉力试验

A side door latch consists of

25-130 components

一把边门锁由**25到130个**
零部件组成

Tianyue offers approximately

700 variants of serial latches

天岳提供大约**700多种**系列门锁

Tianyue has more than **27** active

patents, including **2** patents for invention

天岳拥有超过**27**项专利，其中包含**2**项发明专利

Tianyue assembles **more than 20 million**
components in its products every year

天岳每年在自己的产品中组装**超过2000万个**零部件

Tianyue has produced **more than 10 million**
latches in over 20 years

天岳在过去的**20**年当中共生产了**超过1000万**把门锁

30-120 thousand times durability
test ensure that every latch is a safe latch

3-12万次耐久测试创造出了安全门锁

The functionality of a Tianyue latch is guaranteed

over the entire temperature range of **-40°C to 80°C**

每把天岳门锁都能确保**-40°C到80°C**温度范围的功能要求

THANK YOU

DOOR LOCK ACTUATOR & TAILGATE LOCK



浙江天岳汽车电器有限公司

ZHEJIANG TIANYUE AUTOMOBILE PARTS CO., LTD.

Add:3RD THE NORTH YANHE ROAD,TANGXIA TOWN RUIAN CITY ZHEJIANG CHINA

Tel:0086-577-65397720

Fax: 0086-577-65356126

E-mail: hong@tian-yue.com

petershu@tian-yue.com

Mobile & WeChat: 0086-15967705882

Website : www.tian-yue.com
