







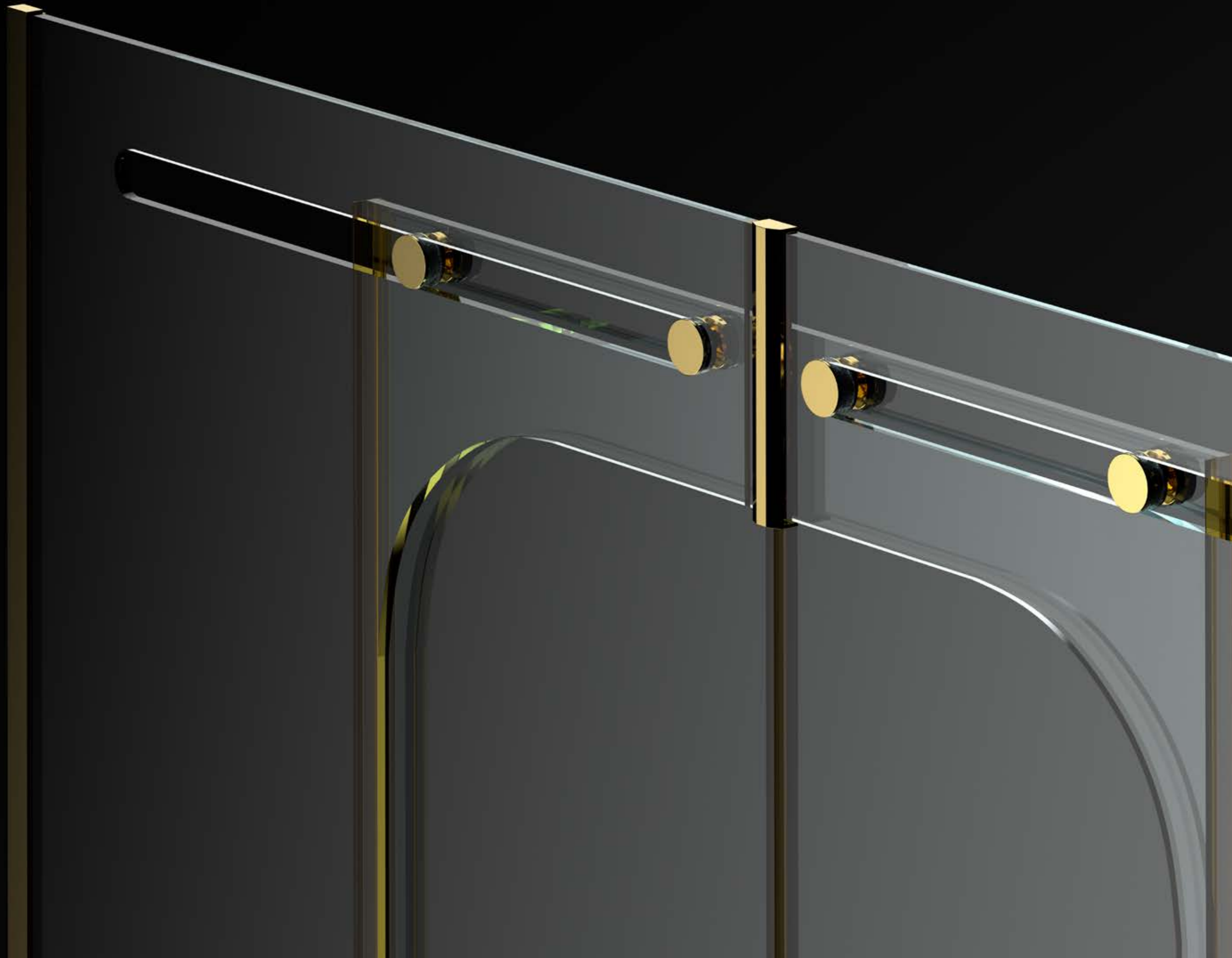
Since 2000

Seldus shower Cabin works with an innovative, dynamic, efficient and reliable team spirit with its strong technical staff in its facility with an area of 6000 m2.

Seldus designs products; develops and produces. Quality and awareness are indispensable for the brand.



# Bathroom Collection



# Index

## IREKO SERIES

|   |    |
|---|----|
| 1 Fixed 1 Sliding Door 1 Side Panel With Front Entrance | 12 |
| 2 Fixed 2 Sliding Corner Cabin                          | 14 |
| 2 Fixed 2 Sliding Door With Front Entrance              | 16 |

## ADMIRAL SERIES

|   |    |
|---|----|
| 2 Fixed 2 Sliding Corner Entry                          | 20 |
| 1 Fixed 1 Sliding Door 1 Side Panel With Front Entrance | 22 |
| 2 Fixed 2 Sliding Door With Front Entrance              | 24 |

## LISBON SERIES

|   |    |
|---|----|
| 1 Fixed 1 Sliding Door 1 Side Panel With Front Entrance | 28 |
| 2 Fixed 2 Sliding Corner Entry                          | 30 |
| 2 Fixed 2 Sliding Door With Front Entrance              | 32 |

## ZIGANA SERIES

|   |    |
|---|----|
| 1 Fixed 1 Sliding Door 1 Side Panel With Front Entrance | 36 |
| 2 Fixed 2 Sliding Corner Entry                          | 38 |
| 2 Fixed 2 Sliding With Front Entrance                   | 40 |

## ISTANBUL SERIES

|   |    |
|---|----|
| 1 Fixed 1 Sliding Door 1 Side Panel With Front Entrance | 44 |
| 2 Fixed 2 Sliding Door Corner Entry                     | 46 |
| 2 Fixed 2 Sliding With Front Entrance                   | 48 |

## ALMIRA SERIES

|  |    |
|--|----|
| 1 Fixed 1 Sliding 1 Side Panel With Front Entrance | 52 |
| 2 Fixed 2 Sliding Door Corner Entry                | 54 |
| 2 Fixed 2 Sliding With Front Entrance              | 56 |

## MIMOSA SERIES

|  |    |
|--|----|
| 1 Fixed 1 Sliding 1 Side Panel With Front Entrance | 60 |
| 2 Fixed 2 Sliding Door Corner Entry                | 62 |
| 2 Fixed 2 Sliding Door With Front Entrance         | 64 |

## SAHIN SERIES

|  |    |
|--|----|
| 1 Fixed 1 Sliding 1 Side Panel With Front Entrance | 68 |
| 2 Fixed 2 Sliding Door Corner Entry                | 70 |
| 2 Fixed 2 Sliding Door With Front Entrance         | 72 |
| 2 Fixed 2 Sliding Quadrant                         | 74 |

## EUROPE SERIES

|  |    |
|--|----|
| 1 Fixed 1 Sliding 1 Side Panel With Front Entrance | 78 |
| 2 Fixed 2 Sliding Door Corner Entry                | 80 |
| 2 Fixed 2 Sliding Door With Front Entrance         | 82 |
| 2 Fixed 2 Sliding Door Quadrant                    | 84 |

## EVEREST SERIES

|  |    |
|--|----|
| 1 Fixed 1 Sliding 1 Side Panel With Front Entrance | 88 |
| 2 Fixed 1 Opening Door Pentagonel Cabin            | 90 |
| 2 Fixed 1 Opening Door With Front Entrance         | 92 |

## ALIZE SERIES

|  |     |
|--|-----|
| 1 Fixed 1 Opening 1 Side Panel With Front Entrance | 96  |
| 1 Fixed 1 Opening 1 Side Panel With Front Entrance | 98  |
| 2 Fixed 1 Opening With Front Entrance              | 100 |

## BELINZA SERIES

|  |     |
|--|-----|
| 1 Fixed 1 Opening 1 Side Panel With Front Entrance | 104 |
| 1 Fixed 1 Opening 1 Side Panel With Front Entrance | 106 |

## IPEK SERIES

|  |     |
|--|-----|
| 1 Fixed 1 Opening 1 Side Panel With Front Entrance | 110 |
| 2 Fixed 1 Opening With Front Entrance              | 112 |

## SUMELA SERIES

|  |     |
|--|-----|
| 1 Fixed 1 Opening 1 Side Panel With Front Entrance | 116 |
| 1 Opening 1 Side Panel With Front Entrance         | 118 |
| 1 Opening With Front Entrance                      | 120 |
| 2 Fixed 1 Opening With Front Entrance              | 122 |

## FOLDING SERIES

|  |     |
|--|-----|
| 1 Fixed 2 Opening Door With Front Entrance | 126 |
| 2 Opening Door With Front Entrance         | 128 |

## WALK-IN

|               |           |
|---------------|-----------|
| 1 Fixed Panel | 132 - 135 |
|---------------|-----------|

|                               |           |
|-------------------------------|-----------|
| TECHNICAL DETAILS             | 136 - 143 |
| SANDBLASTING OPTIONS          | 146 - 147 |
| DIGITAL PRINT OPTIONS         | 148       |
| ACRYLIC BATHTUBS AND JACUZZIS | 150 - 222 |
| ACRYLIC SHOWER TRAYS          | 224 - 261 |
| SYPHON & DRAINAGE             | 262       |

# IREKO



# IREKO SERIES

Series

**IREKO**

Cabin Height

**200 cm**

Glass Thickness

**6 mm**

Profile Color Options

**Wooden**

Glass Colour Options

**Transparent - Smoked - Bronze - Reflected**

On Glass Design

**Digital Print - Sandblasting**

Door Mechanism

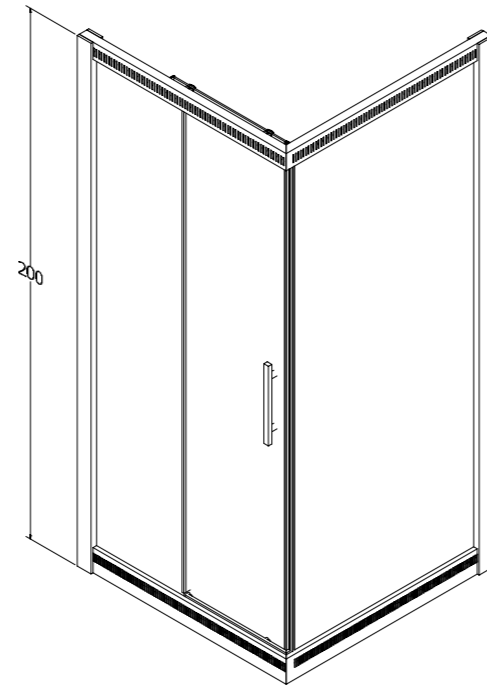
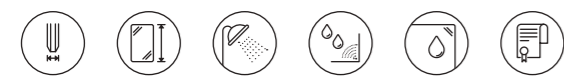
**Sliding System**

Cabin System

**1 Fixed 1 Sliding Door 1 Side Panel With Front Entrance**

Guarantee

**2 Years**



# IREKO SERIES



Series

**IREKO**

Cabin Height

**200 cm**

Glass Thickness

**6 mm**

Profile Color Options

**Wooden**

Glass Colour Options

**Transparent - Smoked - Bronze - Reflected**

On Glass Design

**Digital Print - Sandblasting**

Door Mechanism

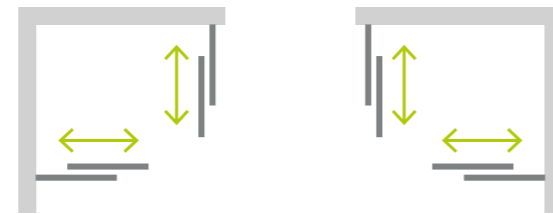
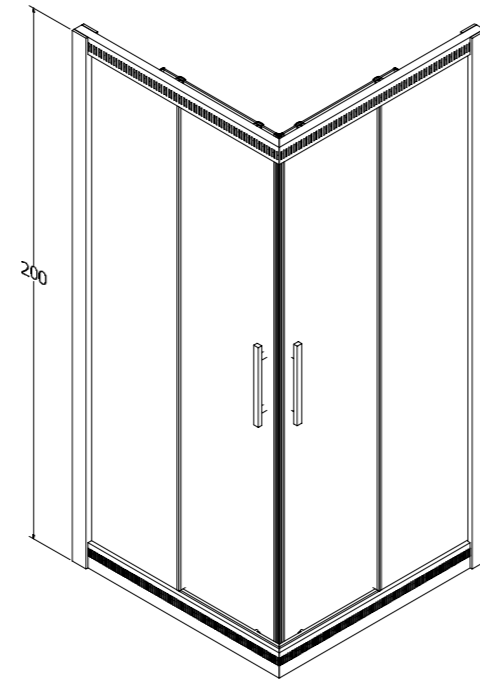
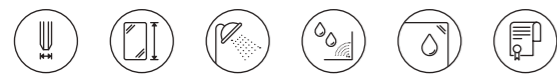
**Sliding System**

Cabin System

**2 Fixed 2 Sliding Corner Cabin**

Guarantee

**2 Years**





# IREKO SERIES



Series

**IREKO**

Cabin Height

**200 cm**

Glass Thickness

**6 mm**

Profile Color Options

**Wooden**

Glass Colour Options

**Transparent - Smoked - Bronze - Reflected**

On Glass Design

**Digital Print - Sandblasting**

Door Mechanism

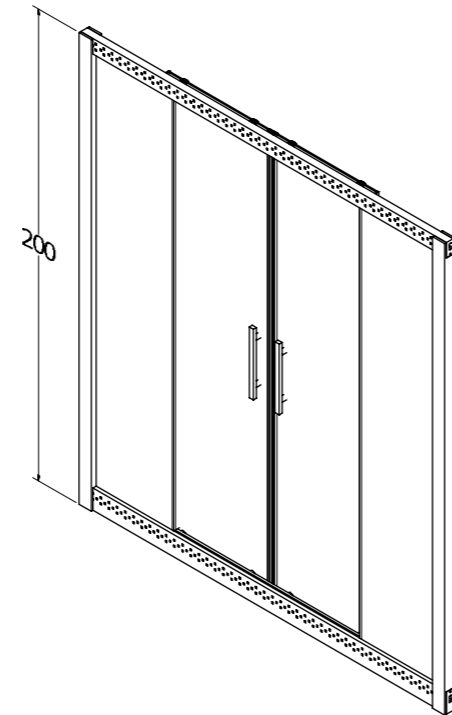
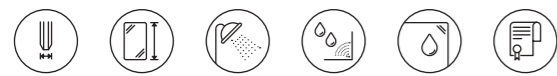
**Sliding System**

Cabin System

**2 Fixed 2 Sliding Door With Front Entrance**

Guarantee

**2 Years**



# ADMIRAL



# ADMIRAL SERIES



Series

## ADMIRAL

Cabin Height

**200 cm**

Glass Thickness

**8-10 mm**

Profile Color Options

**Polished Chrome - Matt Black - Golden**

Glass Colour Options

**Transparent - Smoked**

On Glass Design

**Digital Print - Sandblasting**

Door Mechanism

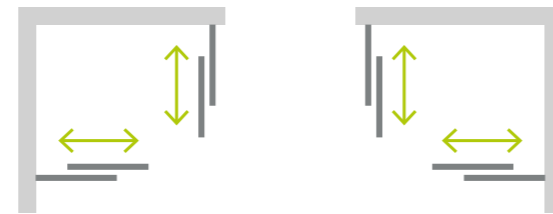
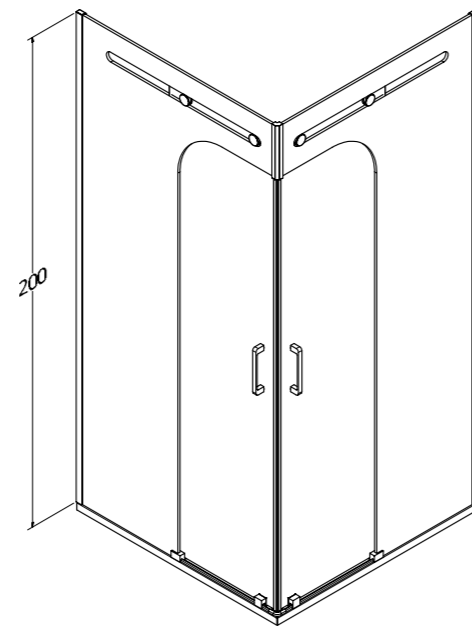
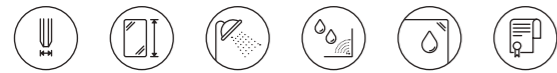
**Sliding Door**

Cabin System

**2 Fixed 2 Sliding Corner Entry**

Guarantee

**2 Years**



# ADMIRAL SERIES



Series

## ADMIRAL

Cabin Height

**200 cm**

Glass Thickness

**8-10 mm**

Profile Color Options

**Polished Chrome - Matt Black - Golden**

Glass Colour Options

**Transparent - Smoked**

On Glass Design

**Digital Print - Sandblasting**

Door Mechanism

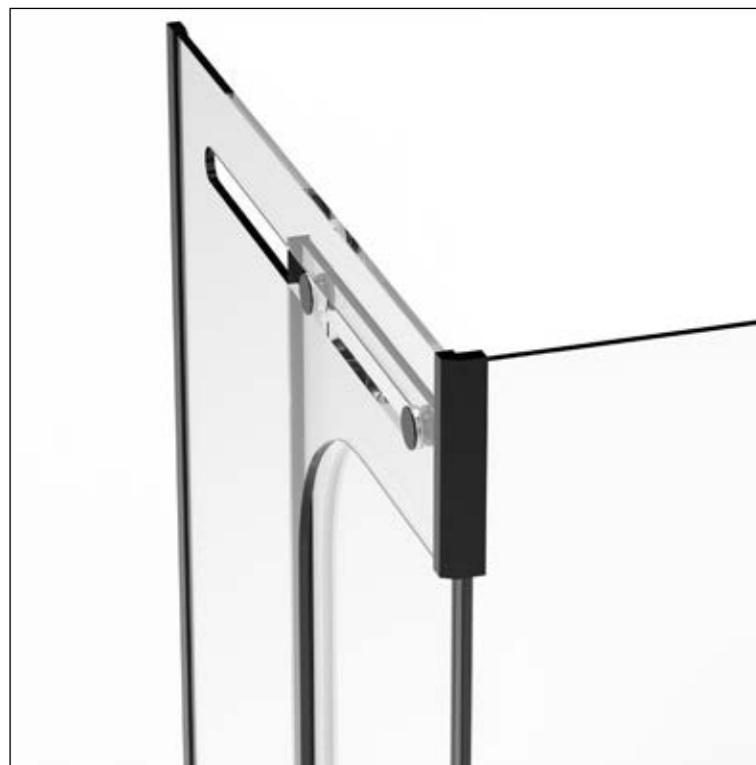
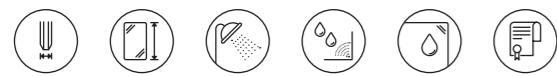
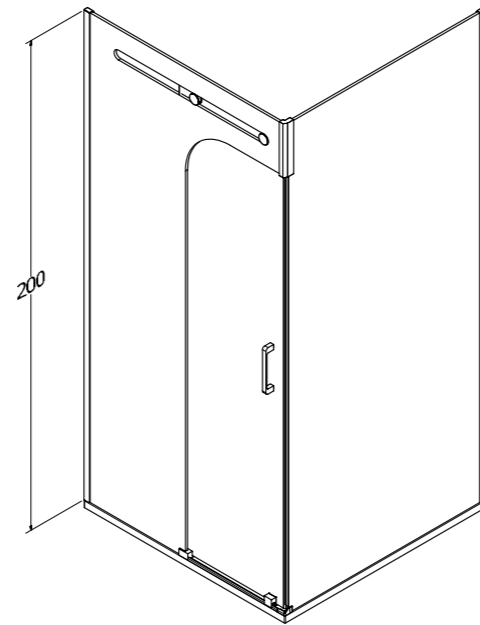
**Sliding Door**

Cabin System

**1 Fixed 1 Sliding Door 1 Side Panel With Front Entrance**

Guarantee

**2 Years**



# ADMIRAL SERIES



Series

**ADMIRAL**

Cabin Height

**200 cm**

Glass Thickness

**8-10 mm**

Profile Color Options

**Polished Chrome - Matt Black - Golden**

Glass Colour Options

**Transparent - Smoked**

On Glass Design

**Digital Print - Sandblasting**

Door Mechanism

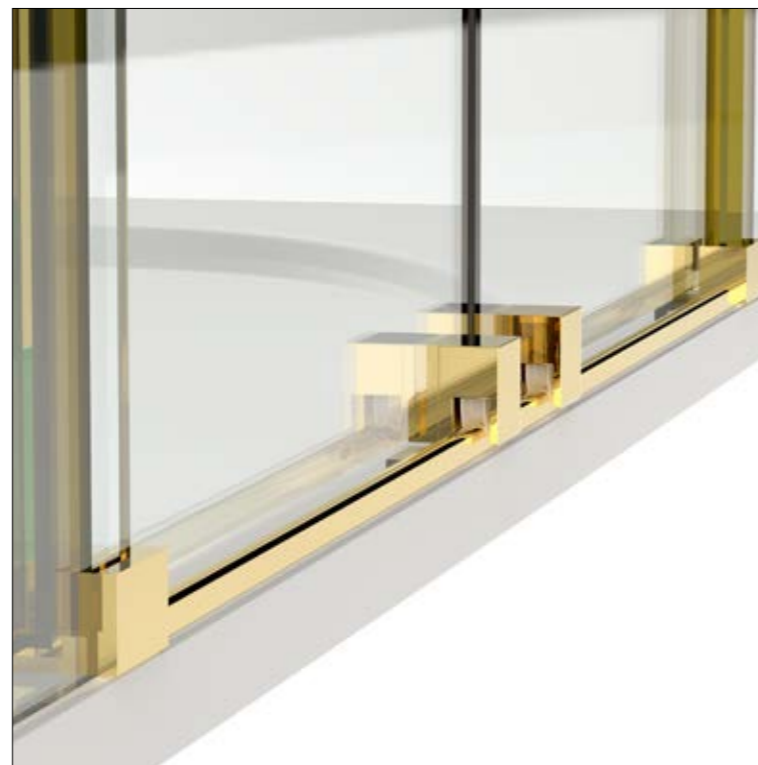
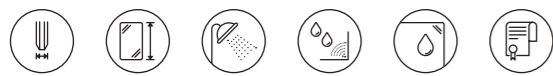
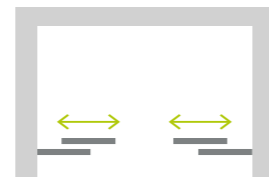
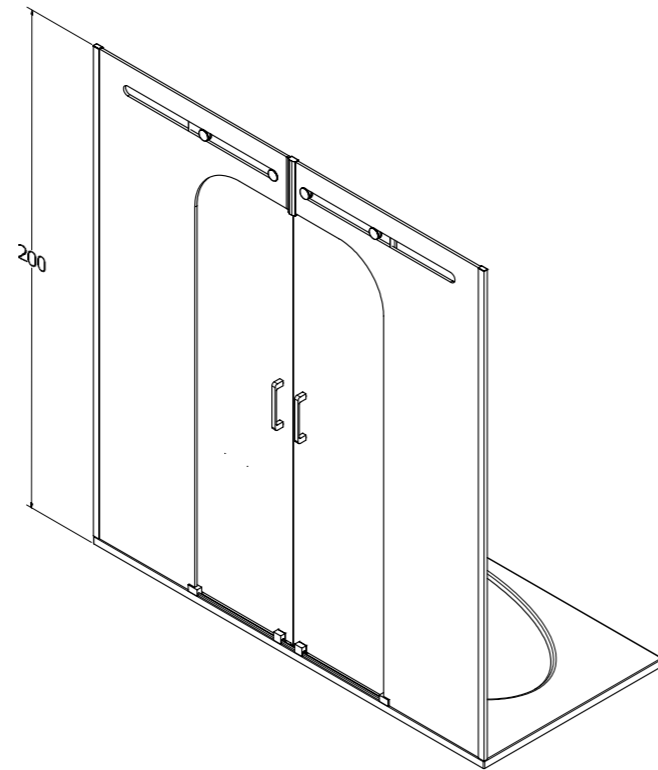
**Sliding Door**

Cabin System

**2 Fixed 2 Sliding Door With Front Entrance**

Guarantee

**2 Years**



# LISBON



# LISBON SERIES



Series

## LISBON

Cabin Height

**200 cm**

Glass Thickness

**6-8 mm**

Profile Color Options

**Polished Chrome - Matt Black - Golden**

Glass Colour Options

**Transparent - Smoked - Bronze - 6 mm Reflected**

On Glass Design

**Digital Print - Sandblasting**

Door Mechanism

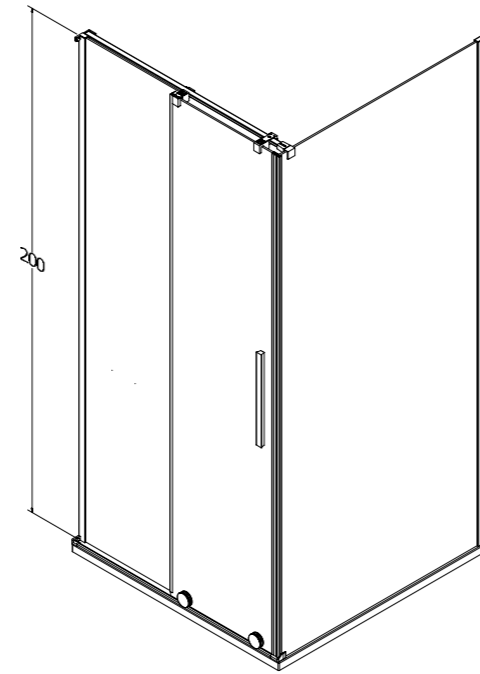
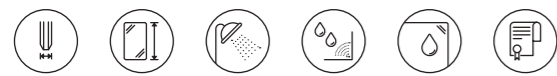
**Sliding System**

Cabin System

**1 Fixed 1 Sliding Door 1 Side Panel With Front Entrance**

Guarantee

**2 Years**



# LISBON SERIES



Series

**LISBON**

Cabin Height

**200 cm**

Glass Thickness

**6-8 mm**

Profile Color Options

**Polished Chrome - Matt Black - Golden**

Glass Colour Options

**Transparent - Smoked - Bronze - 6 mm Reflected**

On Glass Design

**Digital Print - Sandblasting**

Door Mechanism

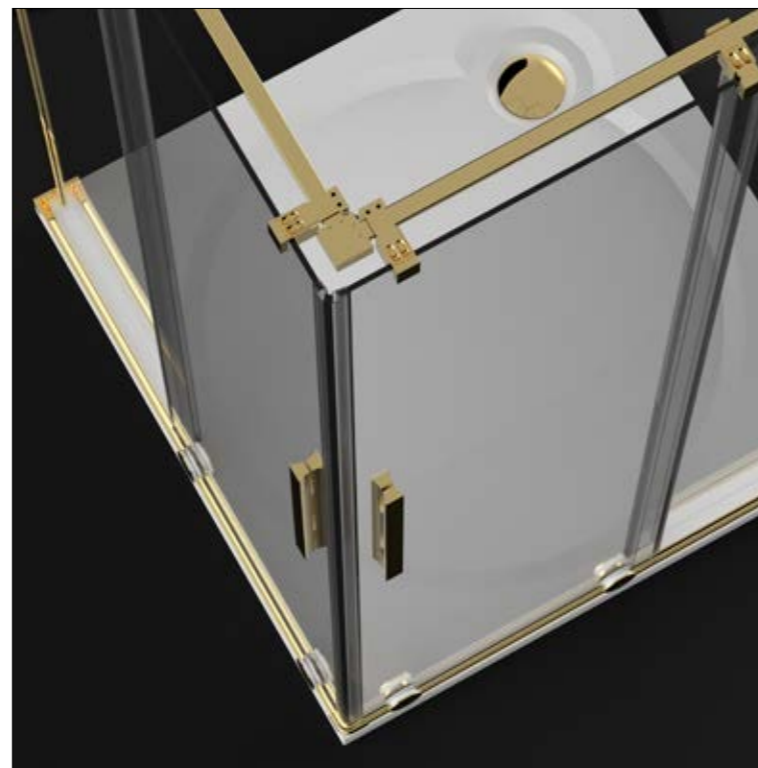
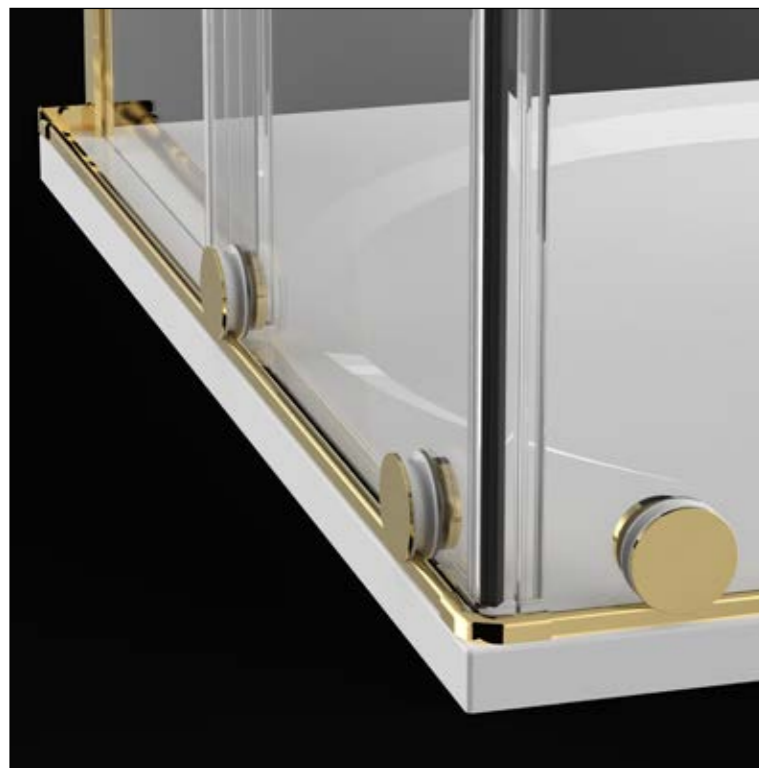
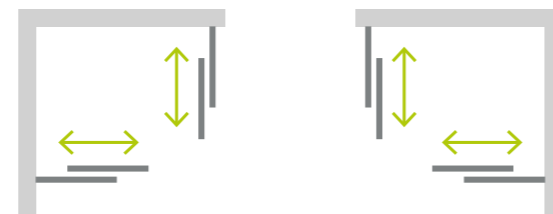
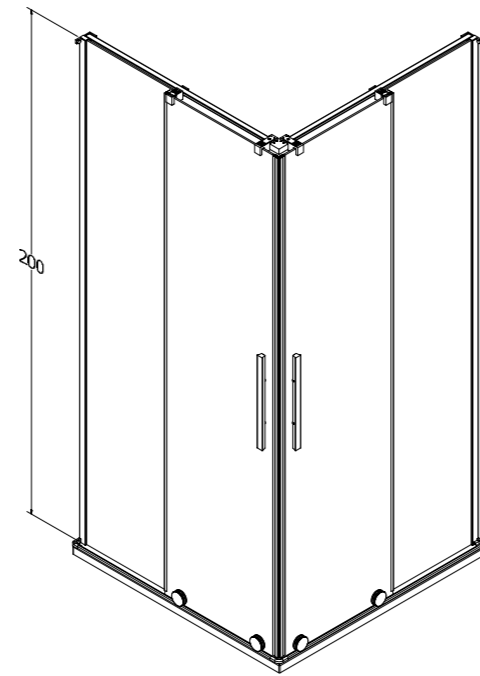
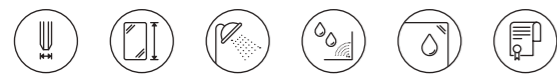
**Sliding System**

Cabin System

**2 Fixed 2 Sliding Corner Entry**

Guarantee

**2 Years**





# LISBON SERIES



Series

## LISBON

Cabin Height

**200 cm**

Glass Thickness

**6-8 mm**

Profile Color Options

**Polished Chrome - Matt Black - Golden**

Glass Colour Options

**Transparent - Smoked - Bronze - 6 mm Reflected**

On Glass Design

**Digital Print - Sandblasting**

Door Mechanism

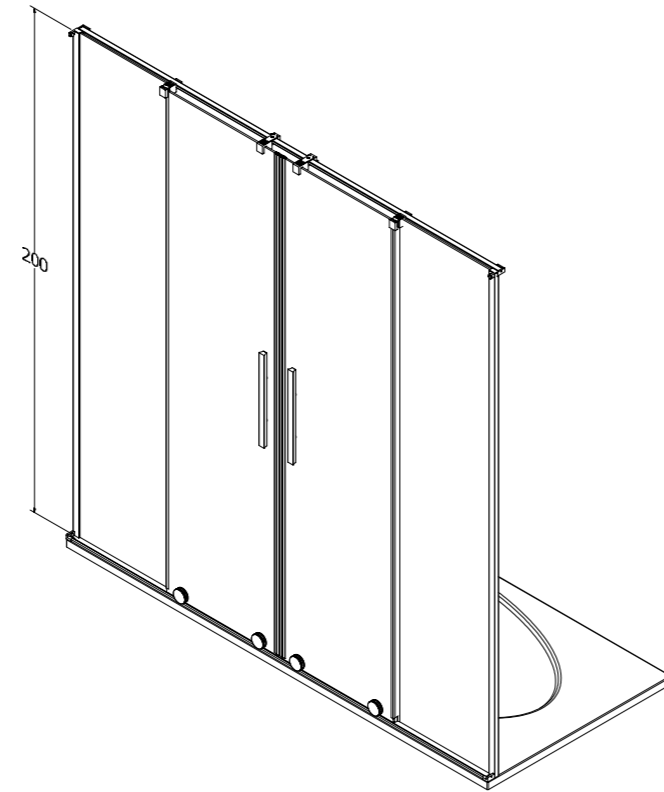
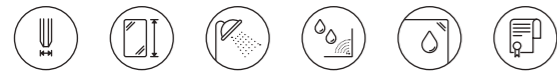
**Sliding System**

Cabin System

**2 Fixed 2 Sliding Door With Front Entrance**

Guarantee

**2 Years**



# ZIGAWANA



# ZIGANA SERIES



Series

## ZIGANA

Cabin Height

**200 cm**

Glass Thickness

**6-8 mm**

Profile Color Options

**Polished Chrome - Matt Black - Golden**

Glass Colour Options

**Transparent - Smoked - Bronze - 6 mm Reflective**

On Glass Design

**Digital Print - Sandblasting**

Door Mechanism

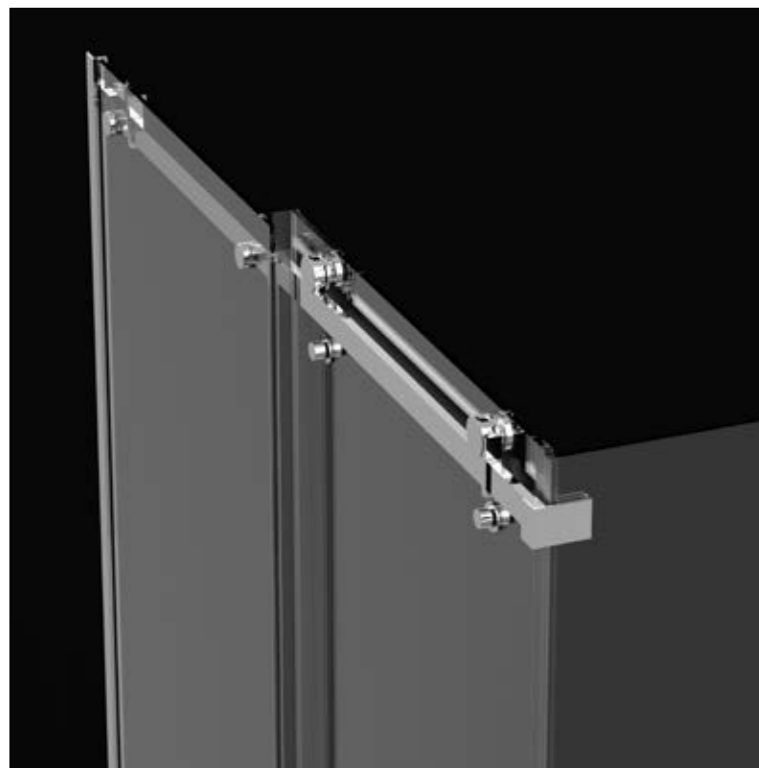
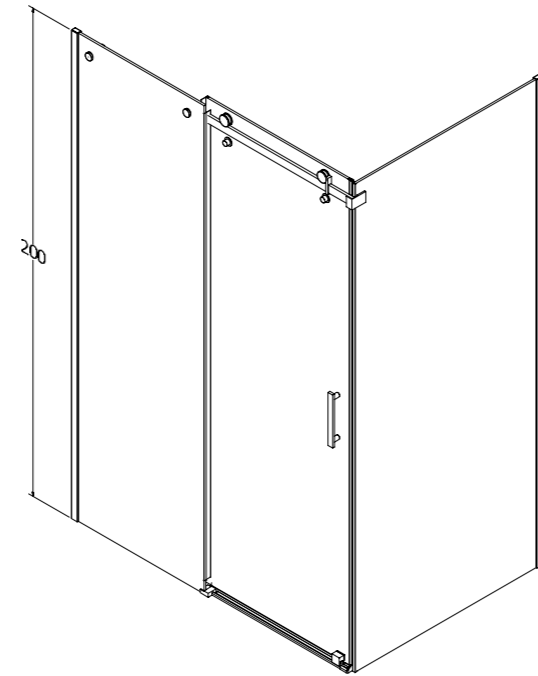
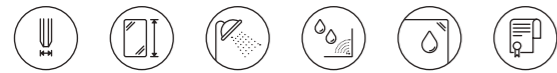
**Sliding System**

Cabin System

**1 Fixed 1 Sliding Door 1 Side Panel With Front Entrance**

Guarantee

**2 Years**



# ZIGANA SERIES



Series

## ZIGANA

Cabin Height

**200 cm**

Glass Thickness

**6-8 mm**

Profile Color Options

**Polished Chrome - Matt Black - Golden**

Glass Colour Options

**Transparent - Smoked - Bronze - 6 mm Reflective**

On Glass Design

**Digital Print - Sandblasting**

Door Mechanism

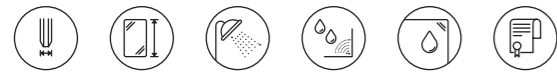
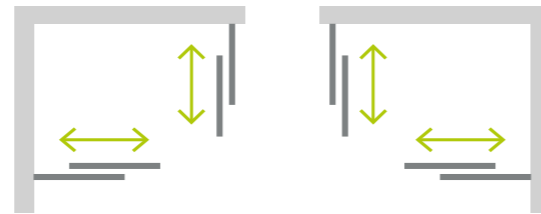
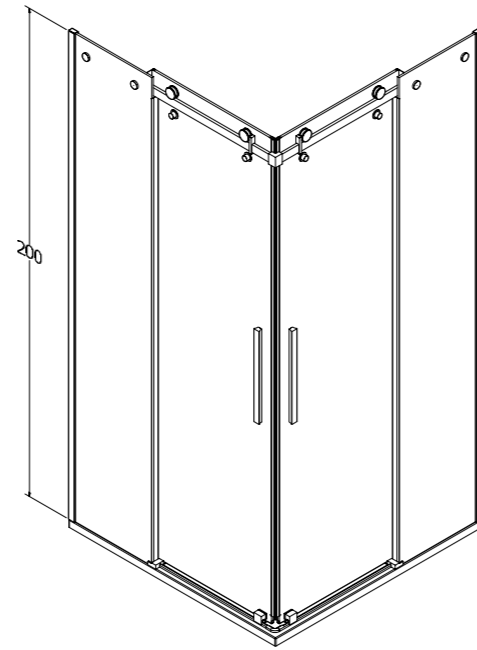
**Sliding System**

Cabin System

**2 Fixed 2 Sliding Corner Entry**

Guarantee

**2 Years**



# ZIGANA SERIES

Series

## ZIGANA

Cabin Height

**200 cm**

Glass Thickness

**6-8 mm**

Profile Color Options

**Polished Chrome - Matt Black - Golden**

Glass Colour Options

**Transparent - Smoked - Bronze - 6 mm Reflective**

On Glass Design

**Digital Print - Sandblasting**

Door Mechanism

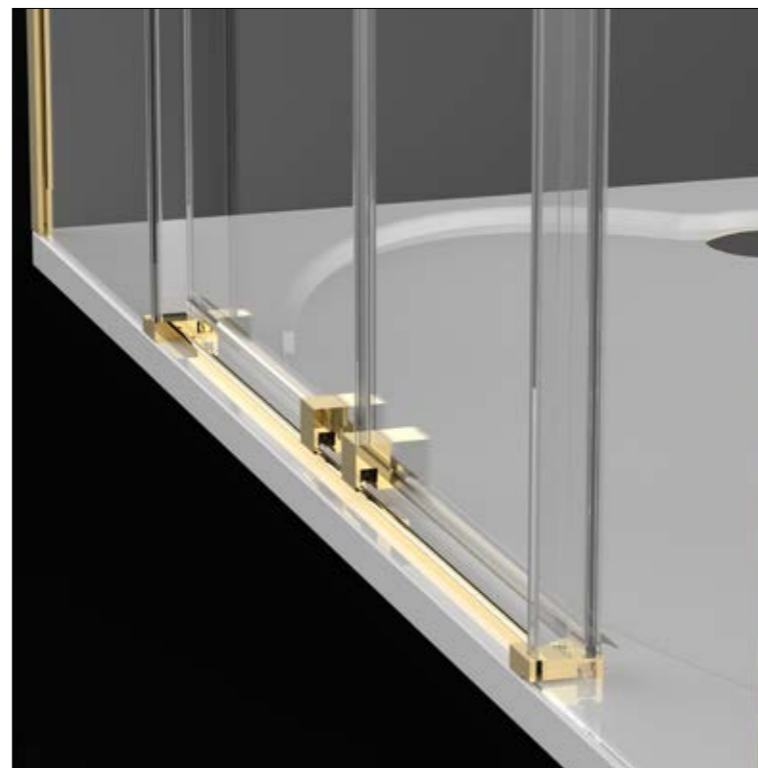
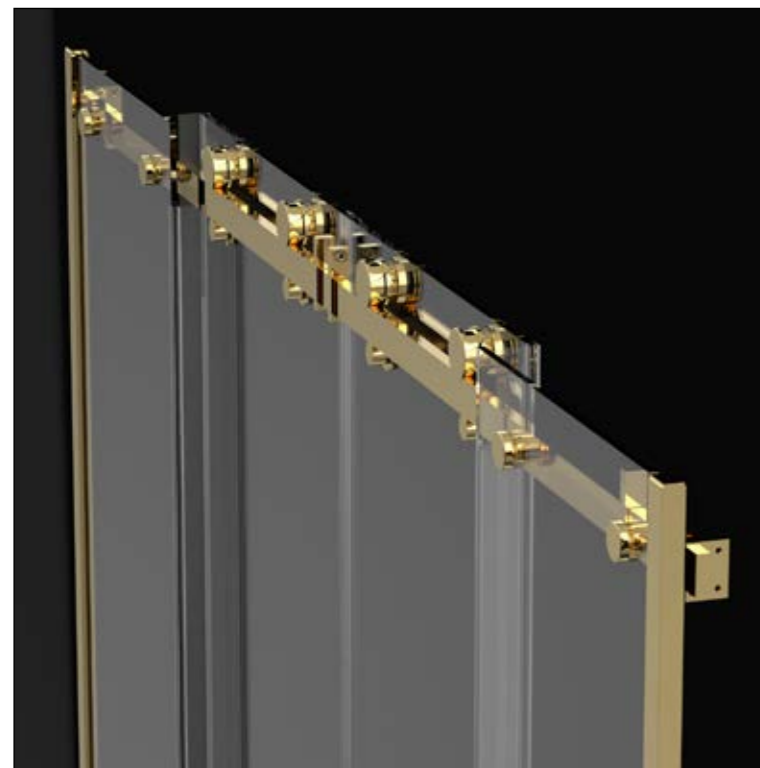
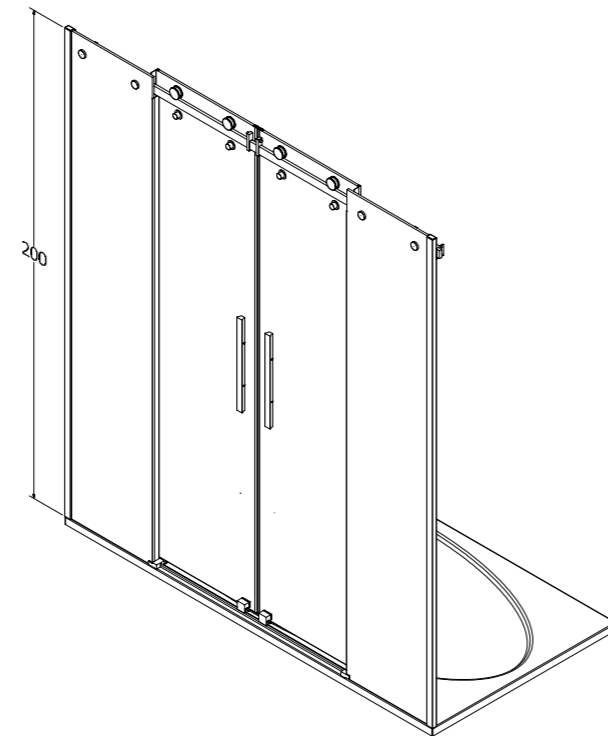
**Sliding System**

Cabin System

**2 Fixed 2 Sliding With Front Entrance**

Guarantee

**2 Years**



# ISTANBUL



# ISTANBUL SERIES



Series

## ISTANBUL

Cabin Height

**200 cm**

Glass Thickness

**6-8 mm**

Profile Color Options

**Polished Chrome - Matt Black - Golden**

Glass Colour Options

**Transparent - Smoked - Bronze - 6 mm Reflected**

On Glass Design

**Digital Print - Sandblasting**

Door Mechanism

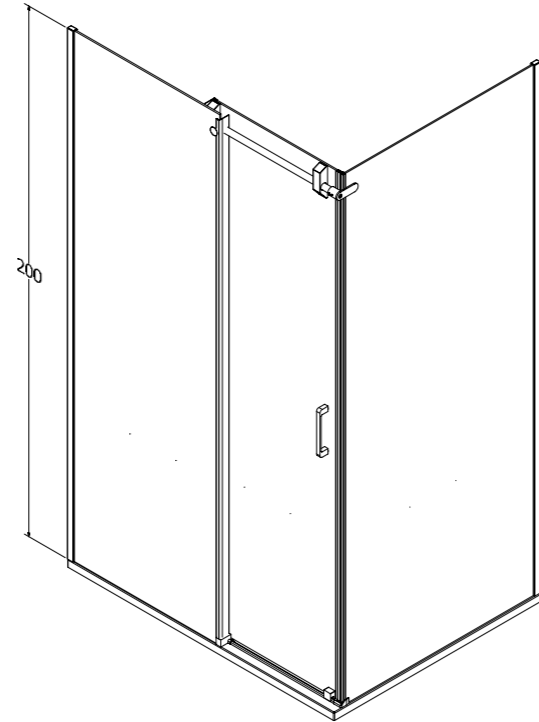
**Sliding System**

Cabin System

**1 Fixed 1 Sliding Door 1 Side Panel With Front Entrance**

Guarantee

**2 Years**



# ISTANBUL SERIES



Series

## ISTANBUL

Cabin Height

**200 cm**

Glass Thickness

**6-8 mm**

Profile Color Options

**Polished Chrome - Matt Black - Golden**

Glass Colour Options

**Transparent - Smoked - Bronze - 6 mm Reflected**

On Glass Design

**Digital Print - Sandblasting**

Door Mechanism

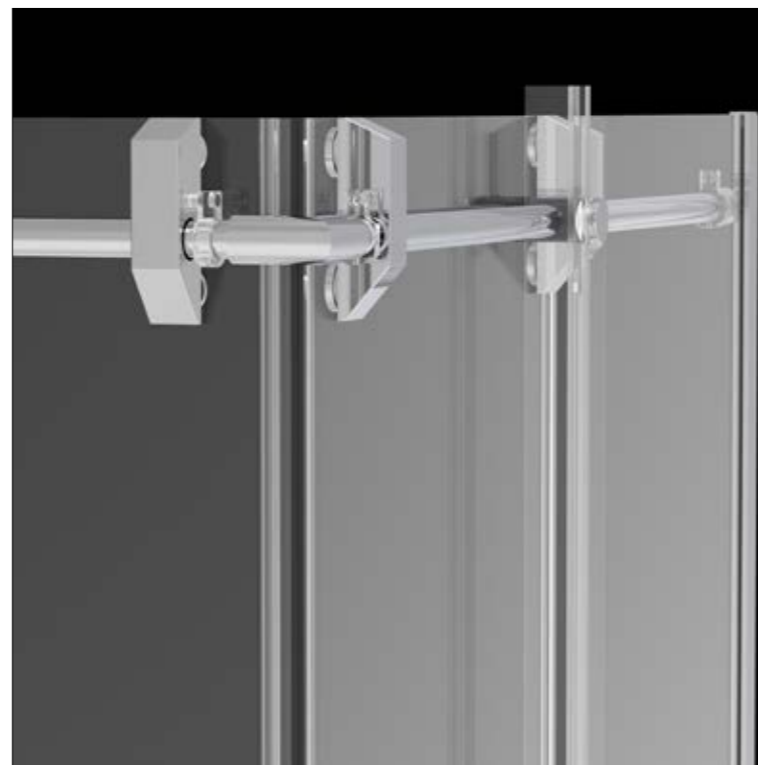
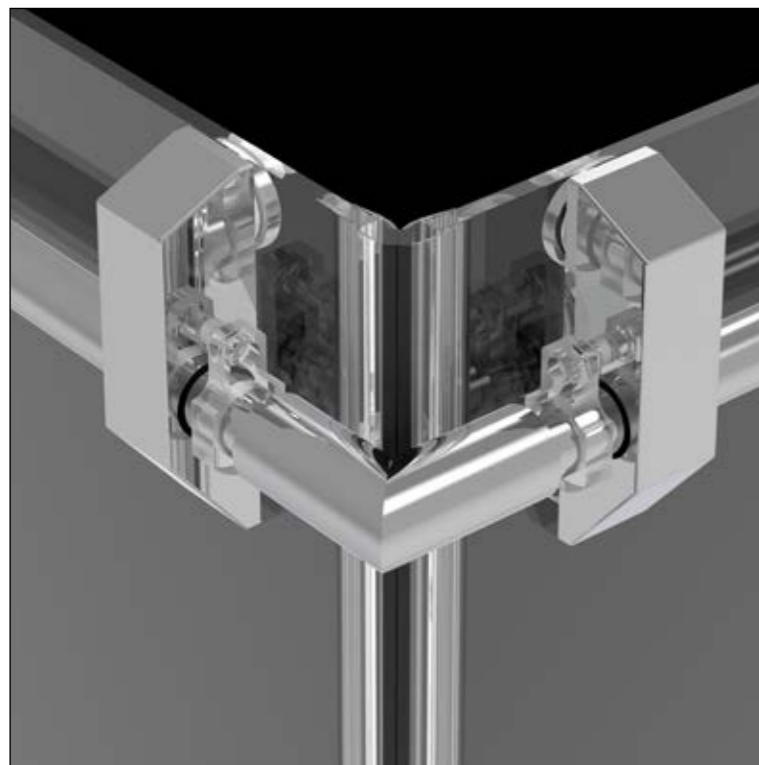
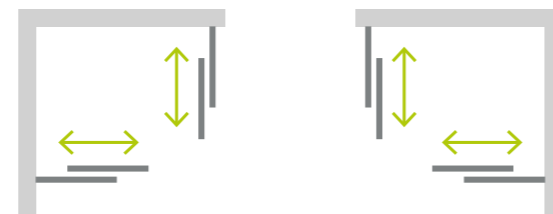
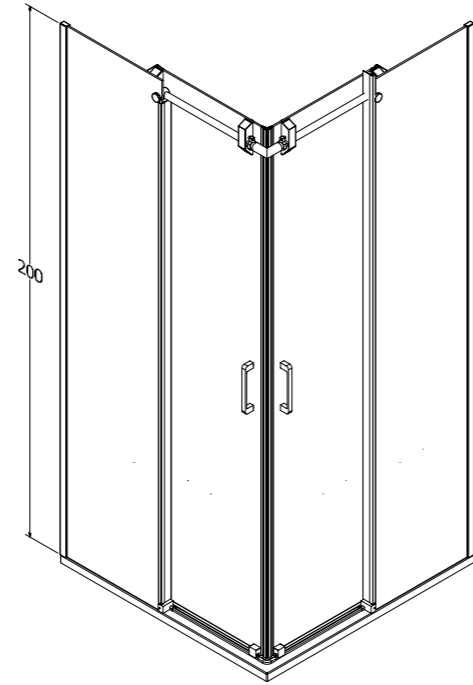
**Sliding System**

Cabin System

**2 Fixed 2 Sliding Door Corner Entry**

Guarantee

**2 Years**





# ISTANBUL SERIES

Series

## ISTANBUL

Cabin Height

**200 cm**

Glass Thickness

**6-8 mm**

Profile Color Options

**Polished Chrome - Matt Black - Golden**

Glass Colour Options

**Transparent - Smoked - Bronze - 6 mm Reflected**

On Glass Design

**Digital Print - Sandblasting**

Door Mechanism

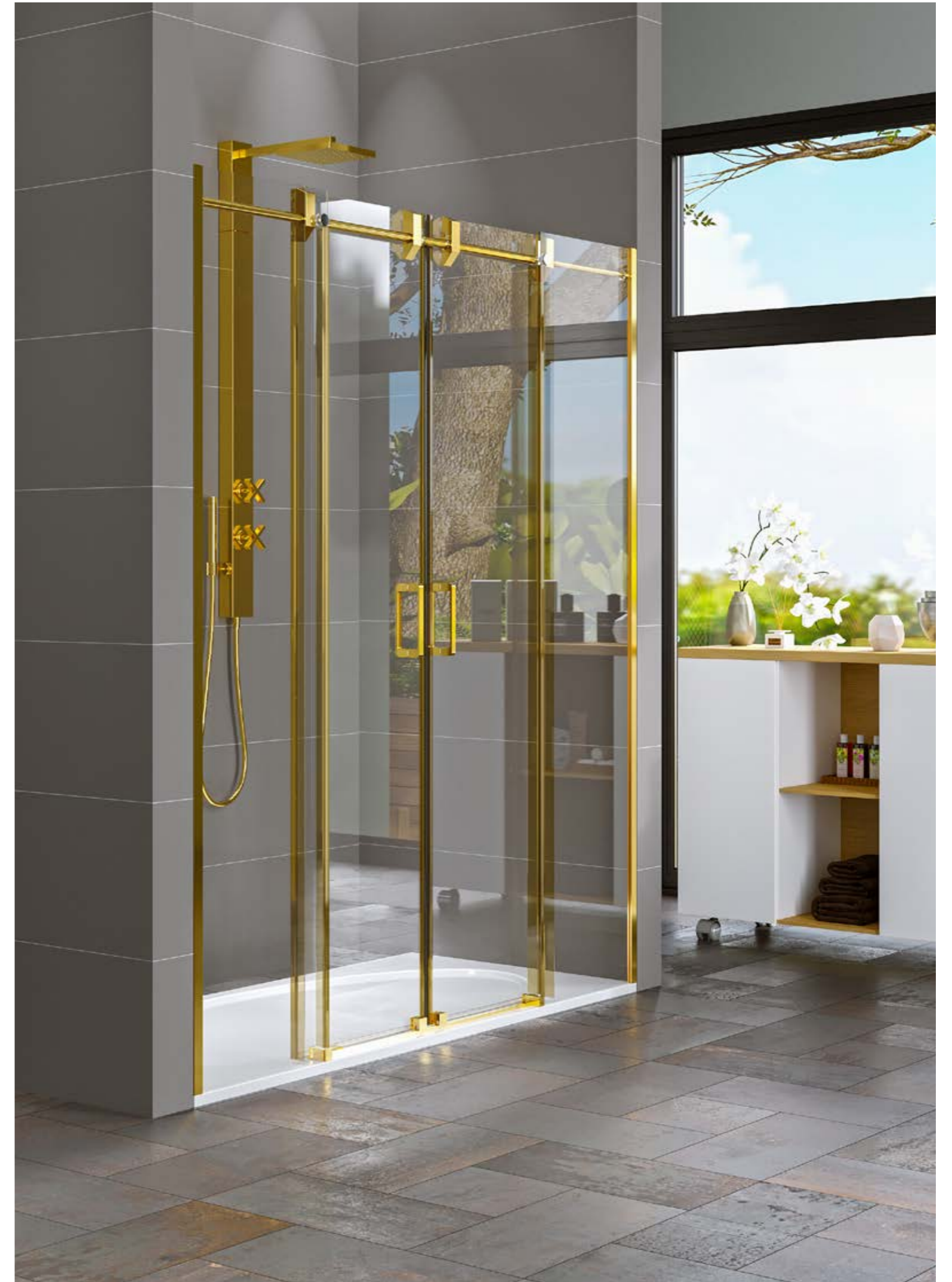
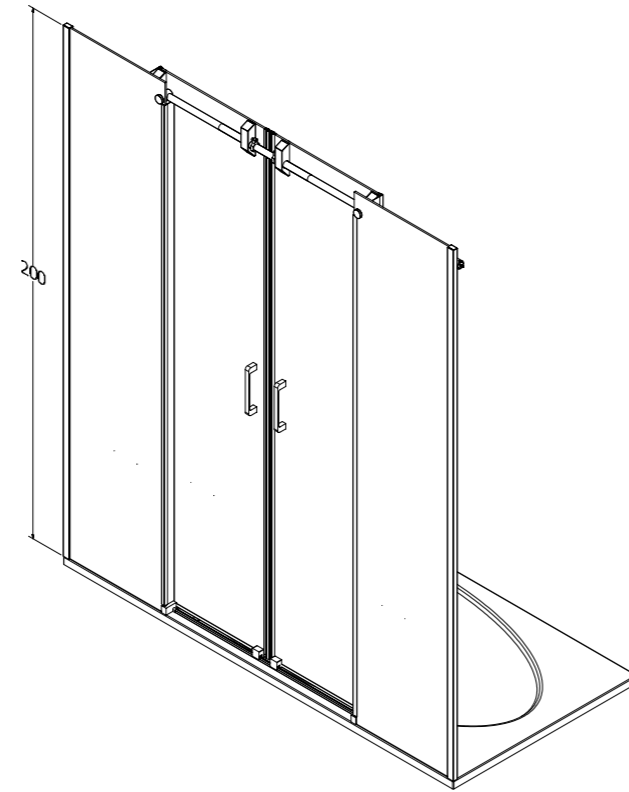
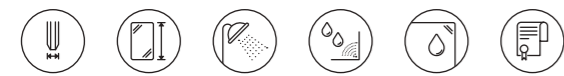
**Sliding System**

Cabin System

**2 Fixed 2 Sliding With Front Entrance**

Guarantee

**2 Years**



# ALLMIRA



# ALMIRA SERIES



Series

## ALMIRA

Cabin Height

**200 cm**

Glass Thickness

**6 mm**

Profile Color Options

**Polished Chrome - Matt Black - Golden**

Glass Colour Options

**Transparent - Smoked - Bronze - Reflected**

On Glass Design

**Digital Print - Sandblasting**

Door Mechanism

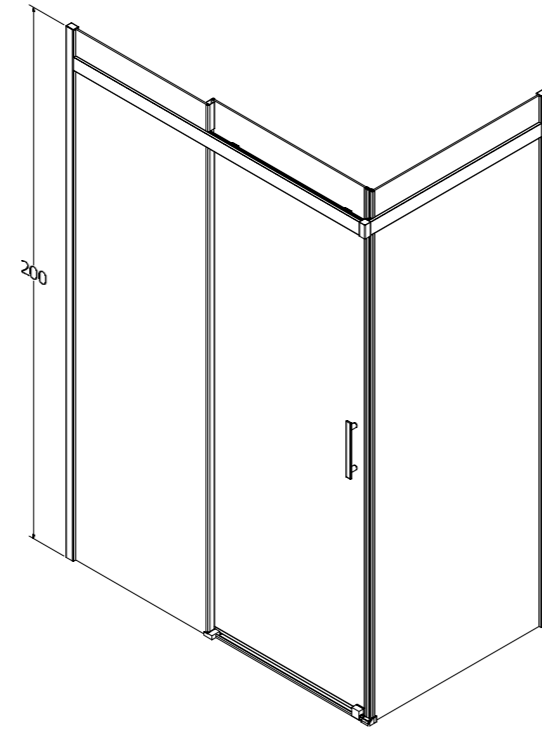
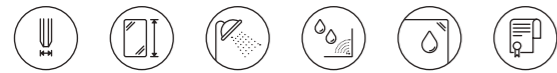
**Sliding Door**

Cabin System

**1 Fixed 1 Sliding 1 Side Panel With Front Entrance**

Guarantee

**2 Years**



# ALMIRA SERIES

Series

**ALMIRA**

Cabin Height

**200 cm**

Glass Thickness

**6 mm**

Profile Color Options

**Polished Chrome - Matt Black - Golden**

Glass Colour Options

**Transparent - Smoked - Bronze - Reflected**

On Glass Design

**Digital Print - Sandblasting**

Door Mechanism

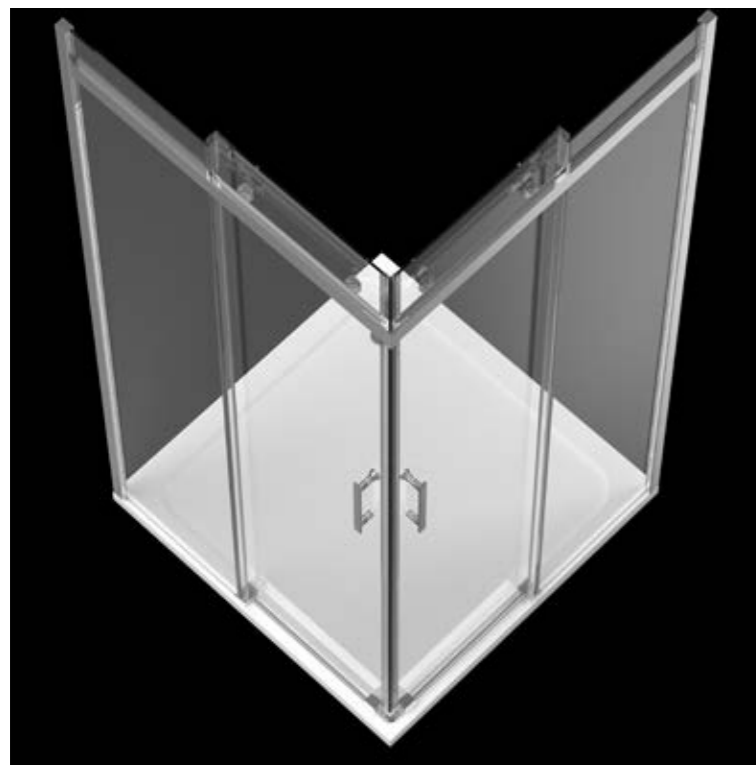
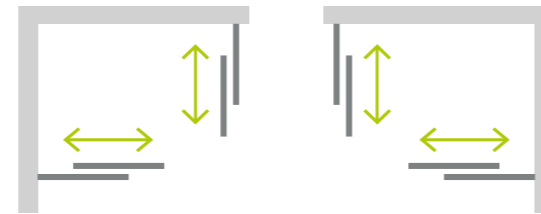
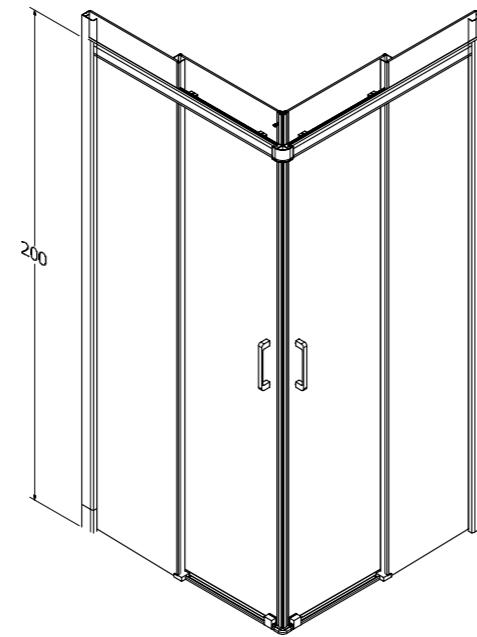
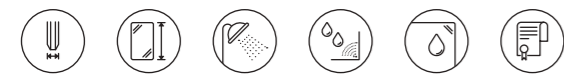
**Sliding Door**

Cabin System

**2 Fixed 2 Sliding Door Corner Entry**

Guarantee

**2 Years**



# ALMIRA SERIES

Series

**ALMIRA**

Cabin Height

**200 cm**

Glass Thickness

**6 mm**

Profile Color Options

**Polished Chrome - Matt Black - Golden**

Glass Colour Options

**Transparent - Smoked - Bronze - Reflected**

On Glass Design

**Digital Print - Sandblasting**

Door Mechanism

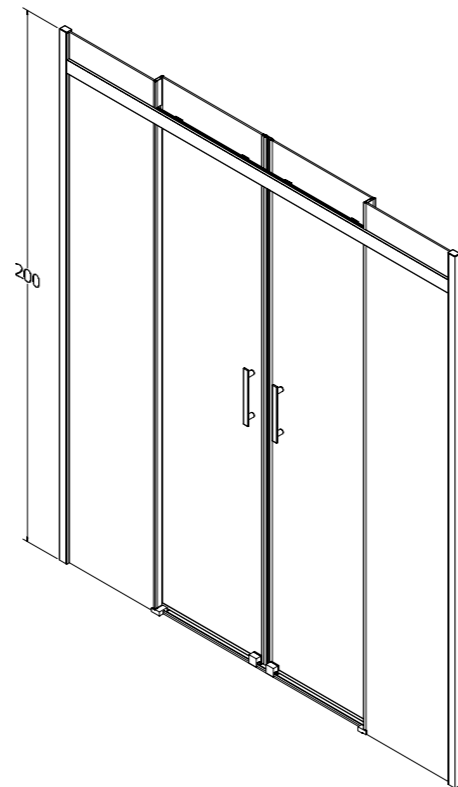
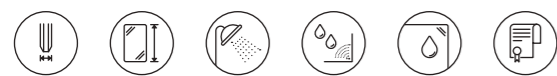
**Sliding Door**

Cabin System

**2 Fixed 2 Sliding With Front Entrance**

Guarantee

**2 Years**



# MIMOSA



# MIMOSA SERIES



Series

**MIMOSA**

Cabin Height

**190 cm**

Glass Thickness

**6 mm**

Profile Color Options

**Polished Chrome - Matt Black - Golden**

Glass Colour Options

**Transparent - Smoked - Bronze - Reflected**

On Glass Design

**Digital Print - Sandblasting**

Door Mechanism

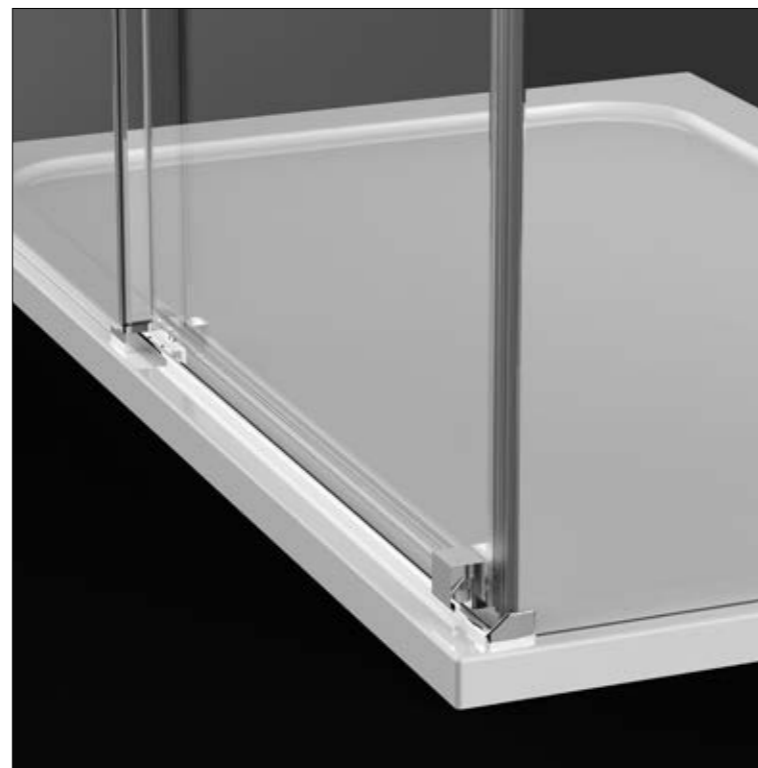
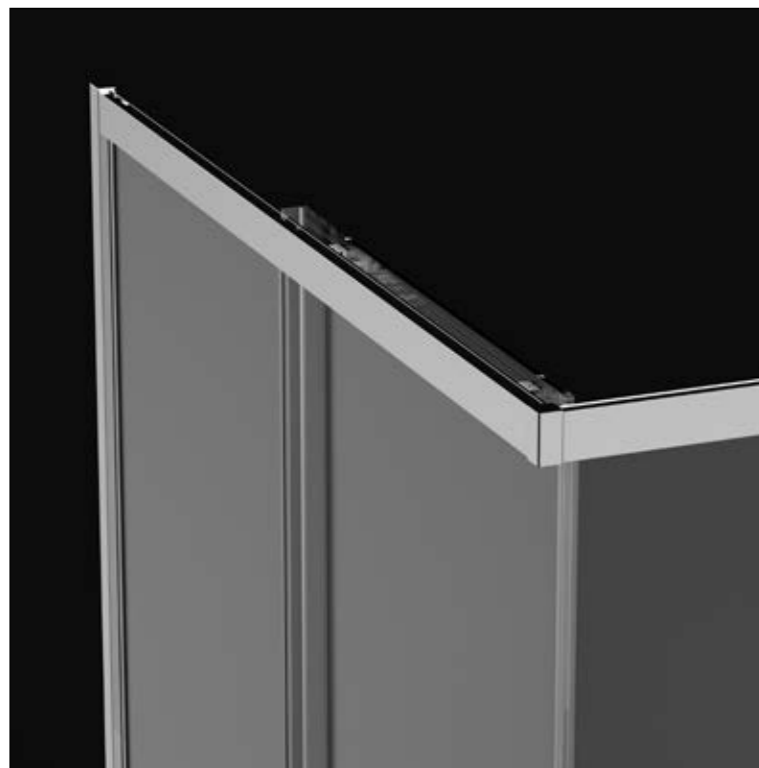
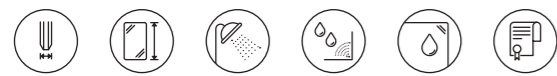
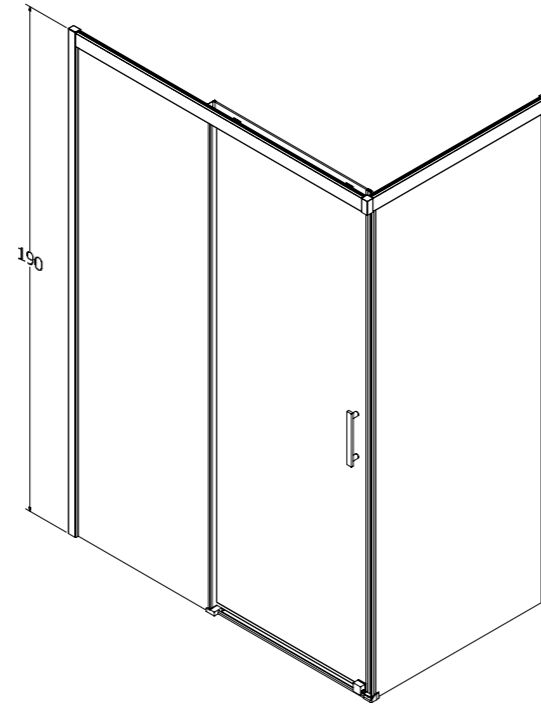
**Sliding System**

Cabin System

**1 Fixed 1 Sliding 1 Side Panel With Front Entrance**

Guarantee

**2 Years**



# MIMOSA SERIES



Series

## MIMOSA

Cabin Height

**190 cm**

Glass Thickness

**6 mm**

Profile Color Options

**Polished Chrome - Matt Black - Golden**

Glass Colour Options

**Transparent - Smoked - Bronze - Reflected**

On Glass Design

**Digital Print - Sandblasting**

Door Mechanism

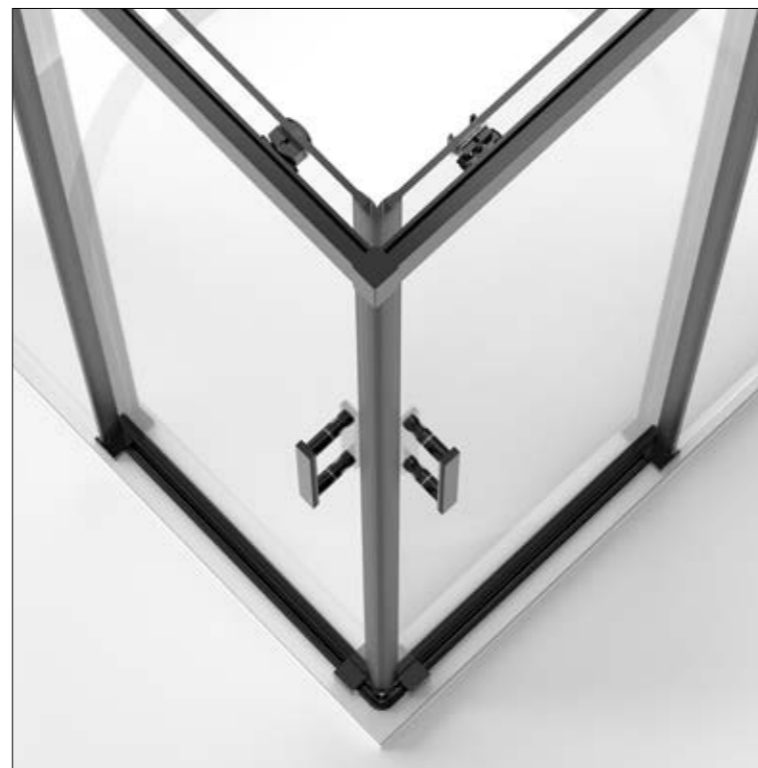
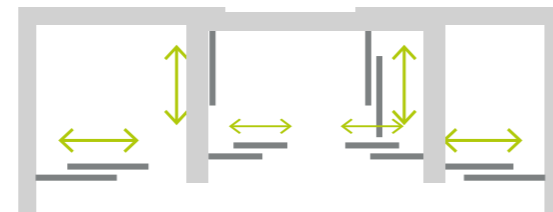
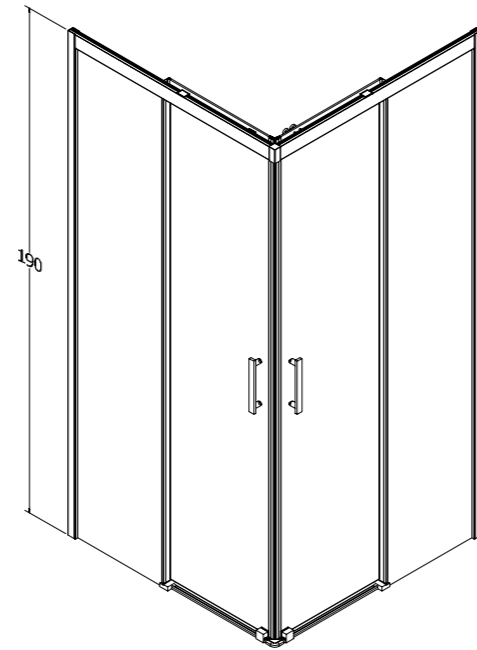
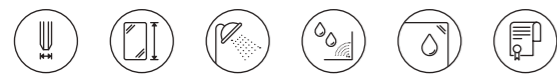
**Sliding System**

Cabin System

**2 Fixed 2 Sliding Door Corner Entry**

Guarantee

**2 Years**





# MIMOSA SERIES

Series

## MIMOSA

Cabin Height

**190 cm**

Glass Thickness

**6 mm**

Profile Color Options

**Polished Chrome - Matt Black - Golden**

Glass Colour Options

**Transparent - Smoked - Bronze - Reflected**

On Glass Design

**Digital Print - Sandblasting**

Door Mechanism

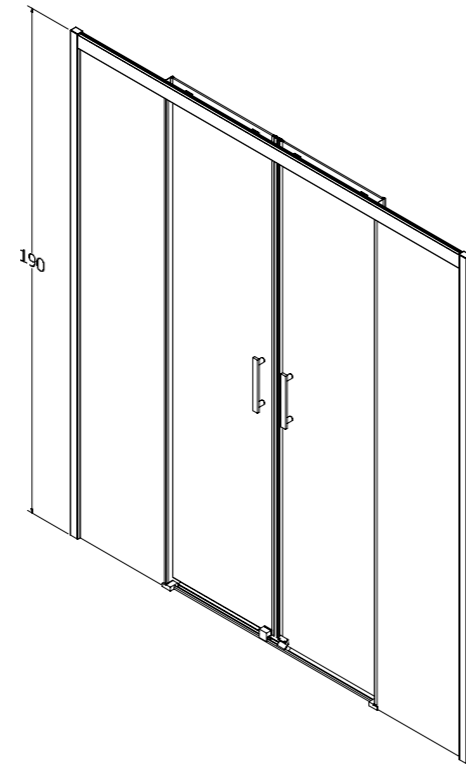
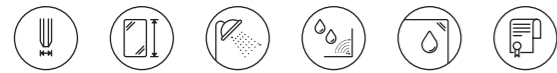
**Sliding System**

Cabin System

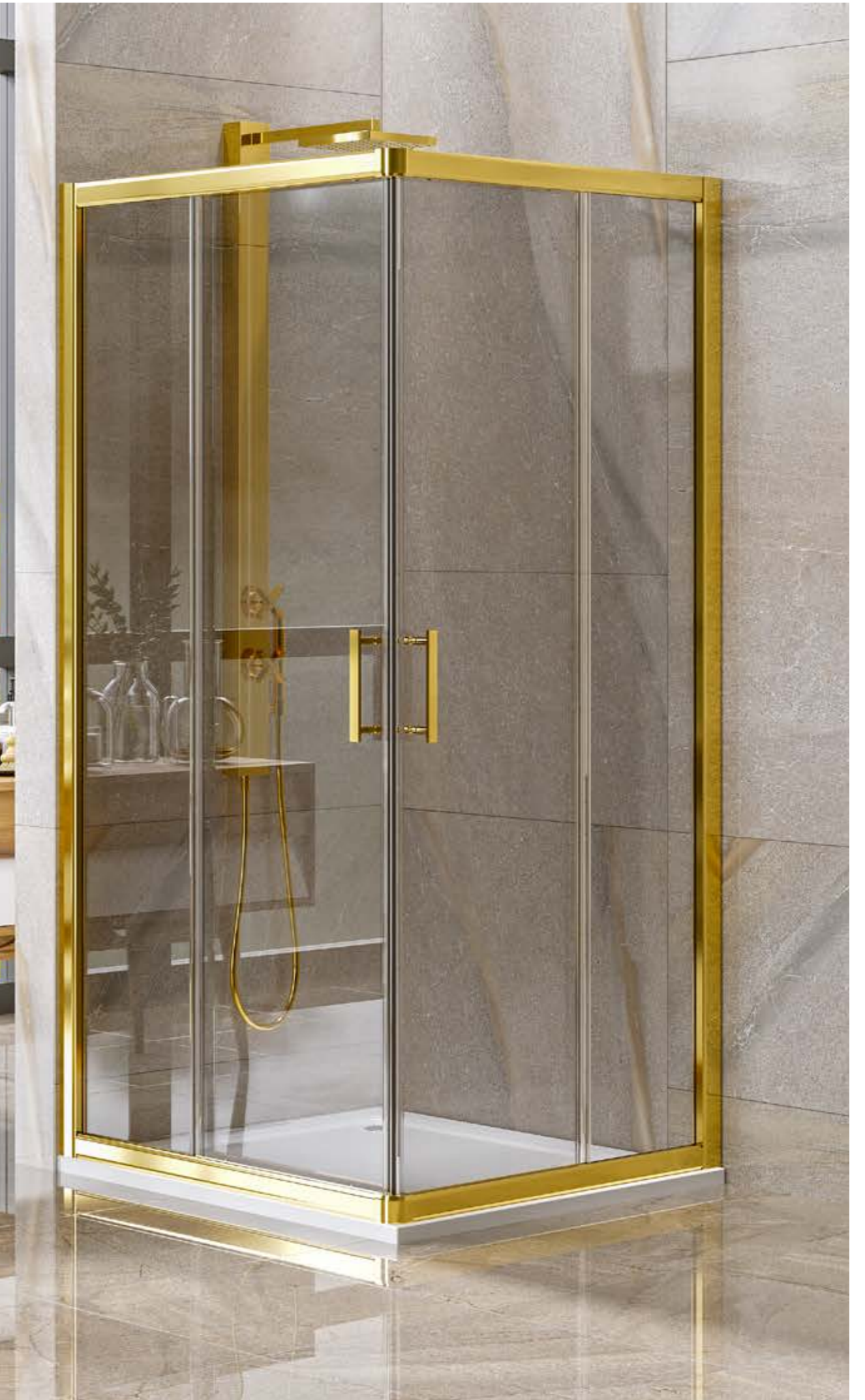
**2 Fixed 2 Sliding Door With Front Entrance**

Guarantee

**2 Years**



# SAHIN



# SAHIN SERIES



Series

**SAHIN**

Cabin Height

**190 cm**

Glass Thickness

**6 mm**

Profile Color Options

**Polished Chrome - Matt Black - Bronze - Golden**

Glass Colour Options

**Transparent - Smoked - Bronze - Reflected**

On Glass Design

**Digital Print - Sandblasting**

Door Mechanism

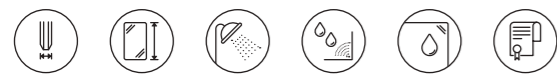
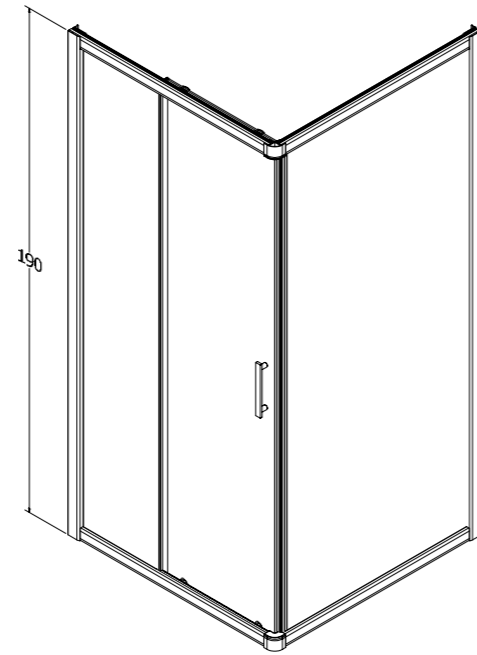
**Sliding System**

Cabin System

**1 Fixed 1 Sliding 1 Side Panel With Front Entrance**

Guarantee

**2 Years**



# SAHIN SERIES



Series

**SAHIN**

Cabin Height

**190 cm**

Glass Thickness

**6 mm**

Profile Color Options

**Polished Chrome - Matt Black - Bronze - Golden**

Glass Colour Options

**Transparent - Smoked - Bronze - Reflected**

On Glass Design

**Digital Print - Sandblasting**

Door Mechanism

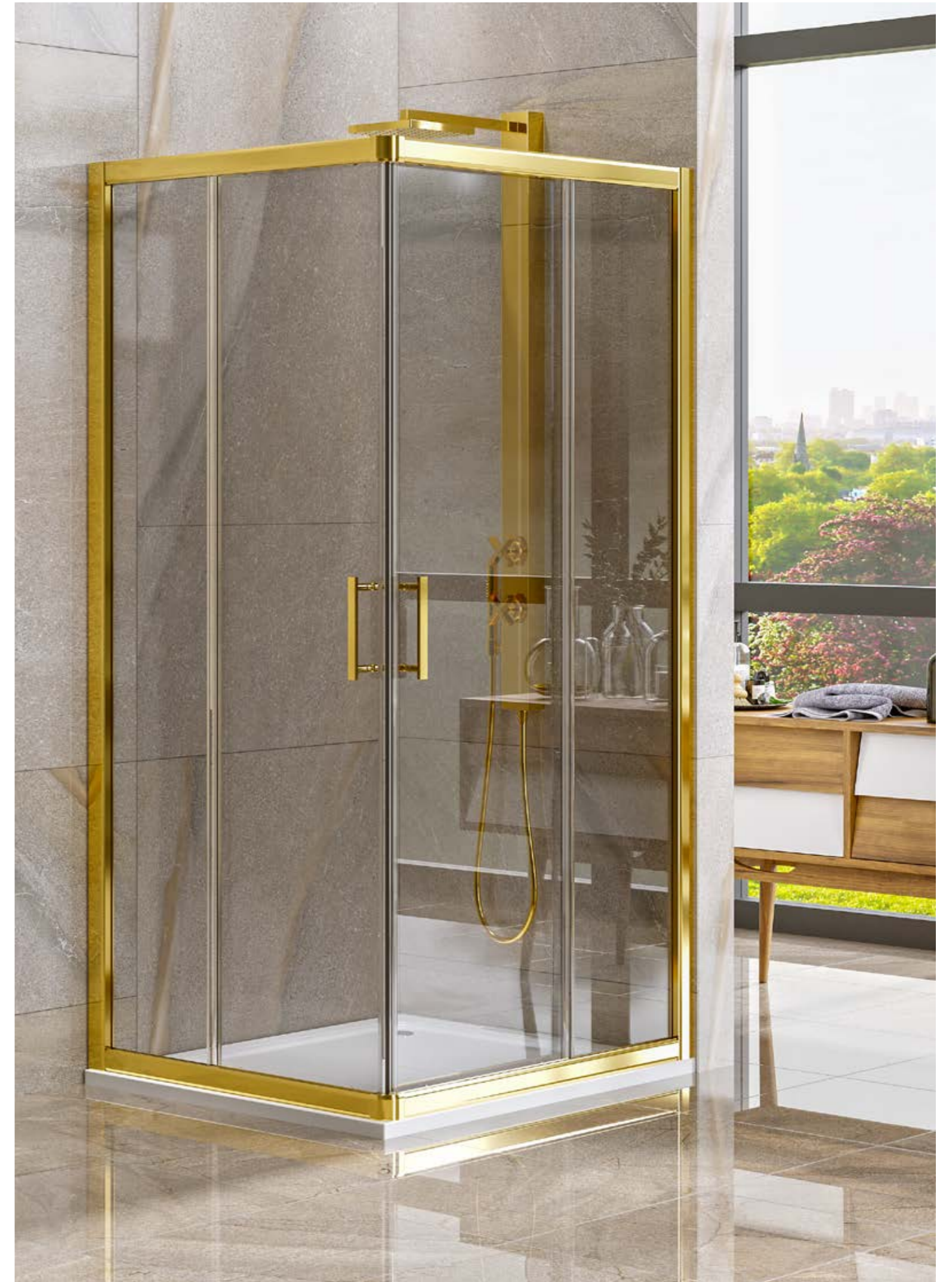
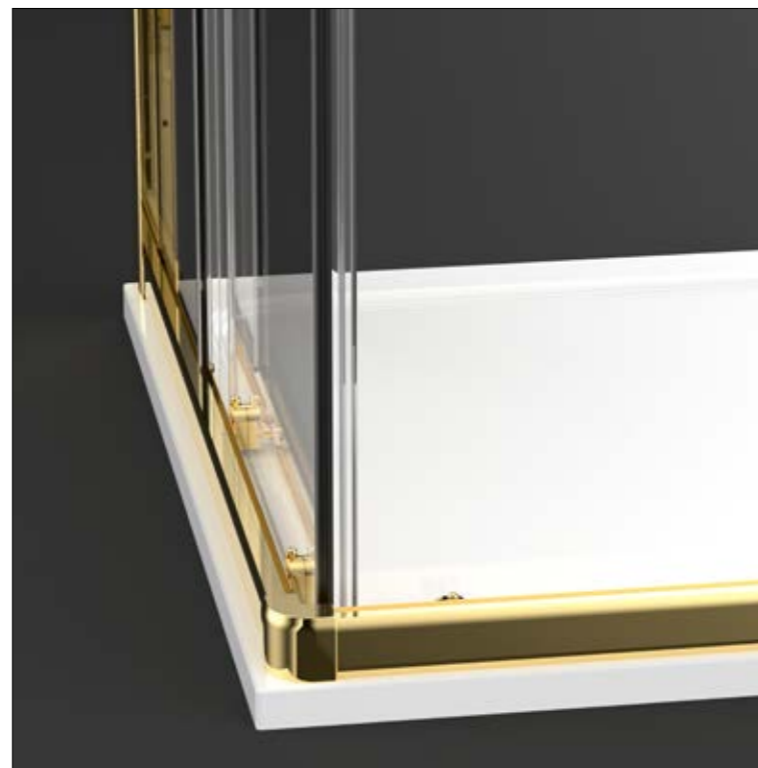
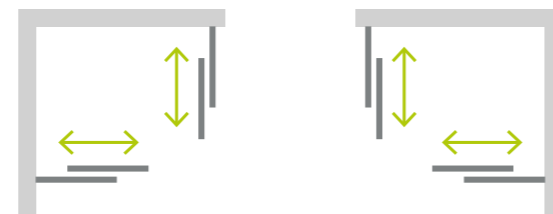
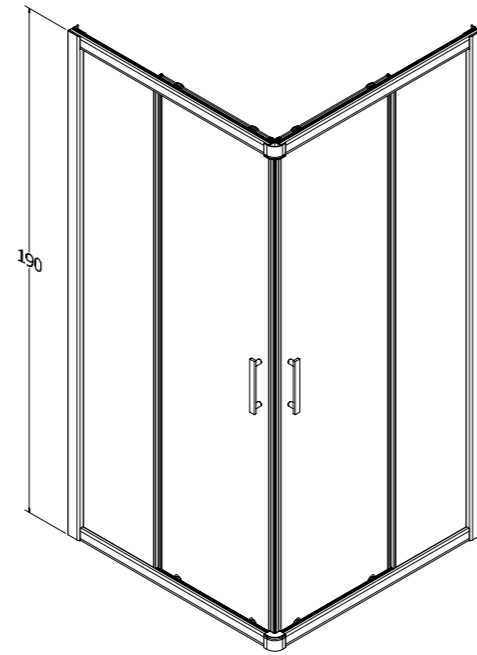
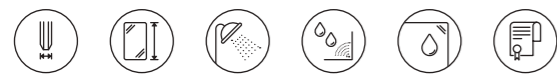
**Sliding System**

Cabin System

**2 Fixed 2 Sliding Door Corner Entry**

Guarantee

**2 Years**



# SAHIN SERIES

Series

**SAHIN**

Cabin Height

**190 cm**

Glass Thickness

**6 mm**

Profile Color Options

**Polished Chrome - Matt Black - Bronze - Golden**

Glass Colour Options

**Transparent - Smoked - Bronze - Reflected**

On Glass Design

**Digital Print - Sandblasting**

Door Mechanism

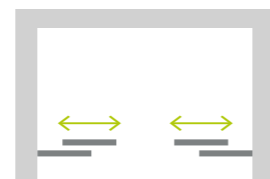
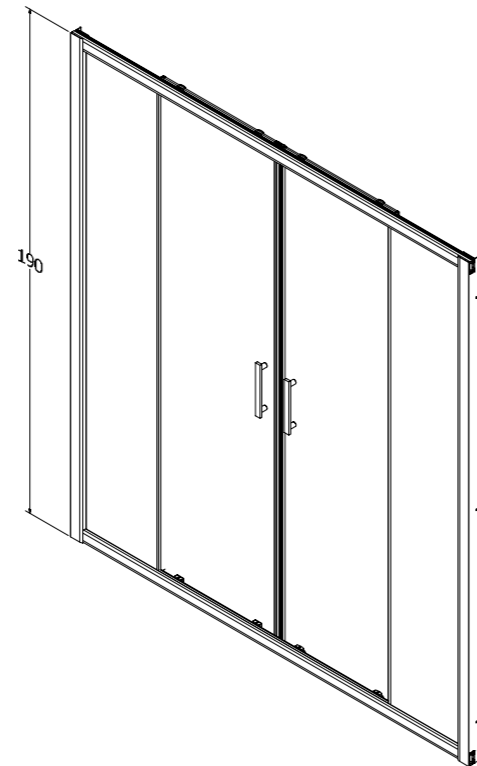
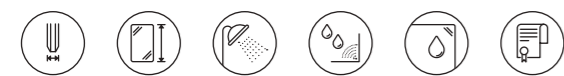
**Sliding System**

Cabin System

**2 Fixed 2 Sliding Door With Front Entrance**

Guarantee

**2 Years**



# SAHIN SERIES



Series

**SAHIN**

Cabin Height

**190 cm**

Glass Thickness

**6 mm**

Profile Color Options

**Polished Chrome - Matt Black - Bronze - Golden**

Glass Colour Options

**Transparent - Smoked - Bronze - Reflected**

On Glass Design

**Digital Print - Sandblasting**

Door Mechanism

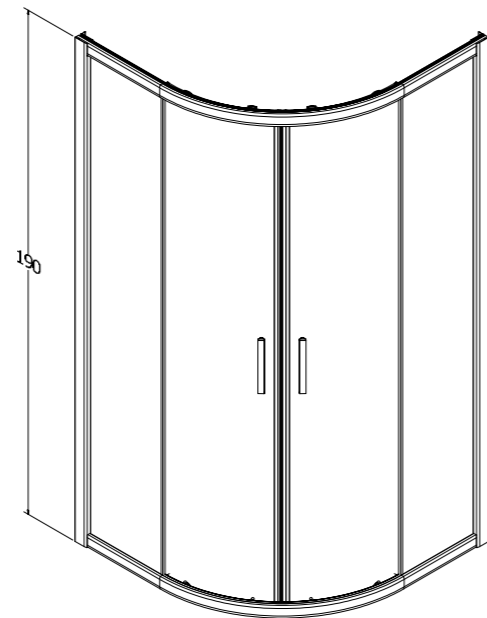
**Sliding System**

Cabin System

**2 Fixed 2 Sliding Quadrant**

Guarantee

**2 Years**



# EUROPE



# EUROPE SERIES



Series

## EUROPE

Cabin Height

**190 cm**

Glass Thickness

**5-6 mm**

Profile Color Options

**Polished Chrome - Matt Black - Golden**

Glass Colour Options

**Transparent - 6 mm Smoked - 6 mm Bronze - 6 mm Reflected**

On Glass Design

**Digital Print - Sandblasting**

Door Mechanism

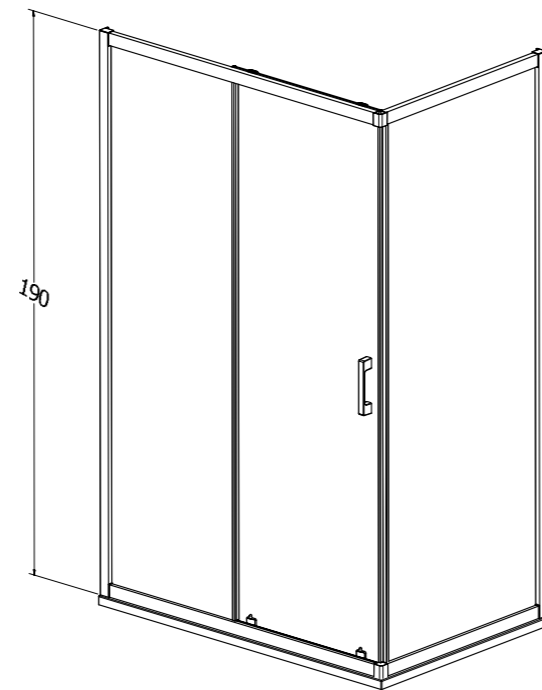
**Sliding System**

Cabin System

**1 Fixed 1 Sliding 1 Side Panel With Front Entrance**

Guarantee

**2 Years**





# EUROPE SERIES



Series

## EUROPE

Cabin Height

**190 cm**

Glass Thickness

**5-6 mm**

Profile Color Options

**Polished Chrome - Matt Black - Golden**

Glass Colour Options

**Transparent - 6 mm Smoked - 6 mm Bronze - 6 mm Reflected**

On Glass Design

**Digital Print - Sandblasting**

Door Mechanism

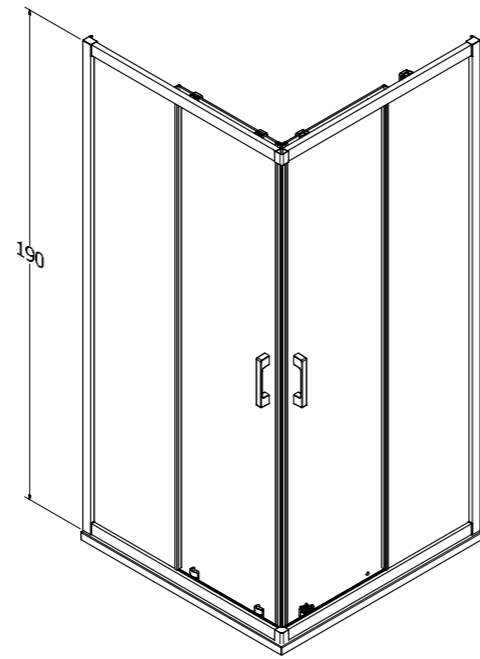
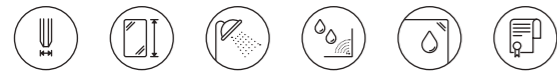
**Sliding System**

Cabin System

**2 Fixed 2 Sliding Door Corner Entry**

Guarantee

**2 Years**



# EUROPE SERIES



Series

## EUROPE

Cabin Height

**190 cm**

Glass Thickness

**5-6 mm**

Profile Color Options

**Polished Chrome - Matt Black - Golden**

Glass Colour Options

**Transparent - 6 mm Smoked - 6 mm Bronze - 6 mm Reflected**

On Glass Design

**Digital Print - Sandblasting**

Door Mechanism

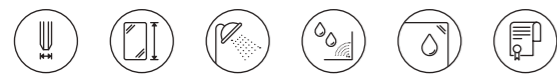
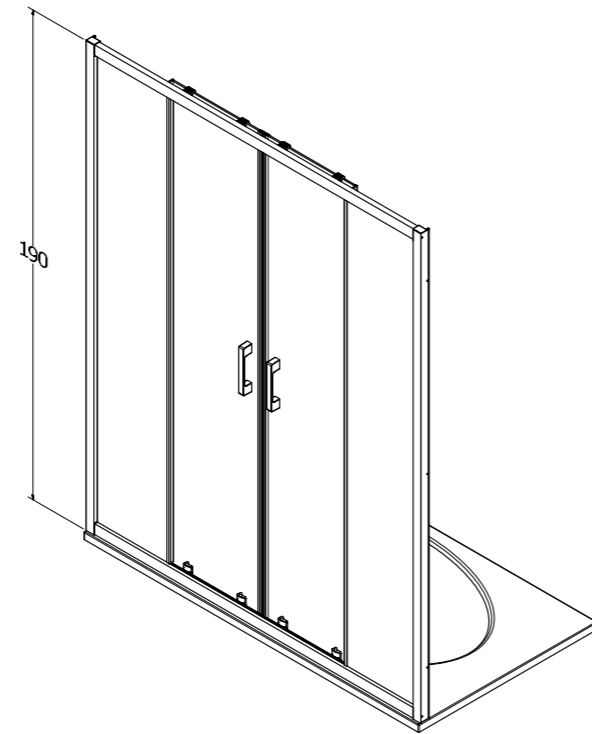
**Sliding System**

Cabin System

**2 Fixed 2 Sliding Door With Front Entrance**

Guarantee

**2 Years**



# EUROPE SERIES



Series

## EUROPE

Cabin Height

**190 cm**

Glass Thickness

**5-6 mm**

Profile Color Options

**Polished Chrome - Matt Black - Golden**

Glass Colour Options

**Transparent - 6 mm Smoked - 6 mm Bronze - 6 mm Reflected**

On Glass Design

**Digital Print - Sandblasting**

Door Mechanism

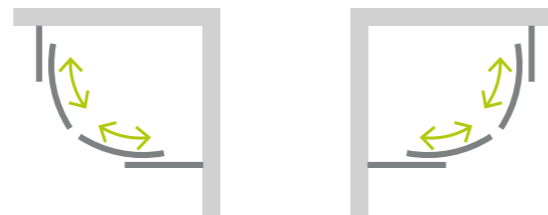
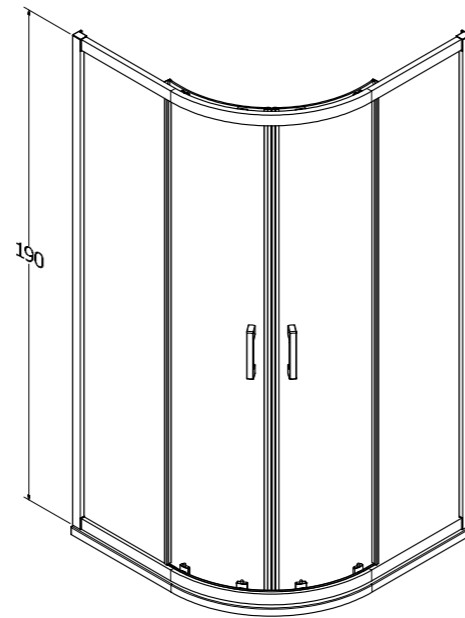
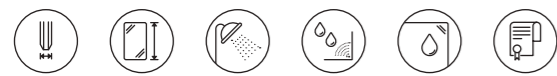
**Sliding System**

Cabin System

**2 Fixed 2 Sliding Door Quadrant**

Guarantee

**2 Years**



# EVEREST



# EVEREST SERIES



Series

**EVEREST**

Cabin Height

**200 cm**

Glass Thickness

**6-8 mm**

Profile Color Options

**Polished Chrome - Matt Black - Golden**

Glass Colour Options

**Transparent - Smoked - Bronze - 6 mm Reflected**

On Glass Design

**Digital Print - Sandblasting**

Door Mechanism

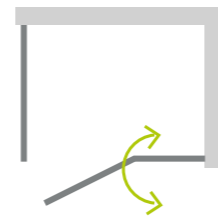
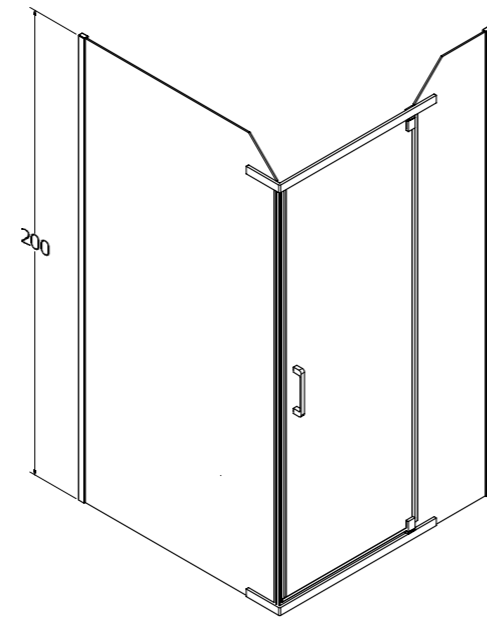
**Pivot Opening**

Cabin System

**1 Fixed 1 Sliding 1 Side Panel With Front Entrance**

Guarantee

**2 Years**



# EVEREST SERIES

Series

**EVEREST**

Cabin Height

**200 cm**

Glass Thickness

**6-8 mm**

Profile Color Options

**Polished Chrome - Matt Black - Golden**

Glass Colour Options

**Transparent - Smoked - Bronze - 6 mm Reflected**

On Glass Design

**Digital Print - Sandblasting**

Door Mechanism

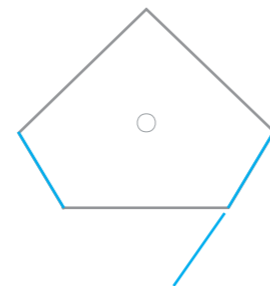
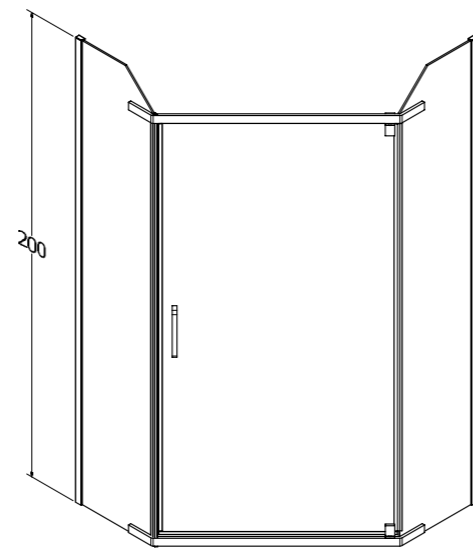
**Pivot Opening**

Cabin System

**2 Fixed 1 Opening Door Pentagonal Cabin**

Guarantee

**2 Years**



# EVEREST SERIES

Series

## EVEREST

Cabin Height

**200 cm**

Glass Thickness

**6-8 mm**

Profile Color Options

**Polished Chrome - Matt Black - Golden**

Glass Colour Options

**Transparent - Smoked - Bronze - 6 mm Reflected**

On Glass Design

**Digital Print - Sandblasting**

Door Mechanism

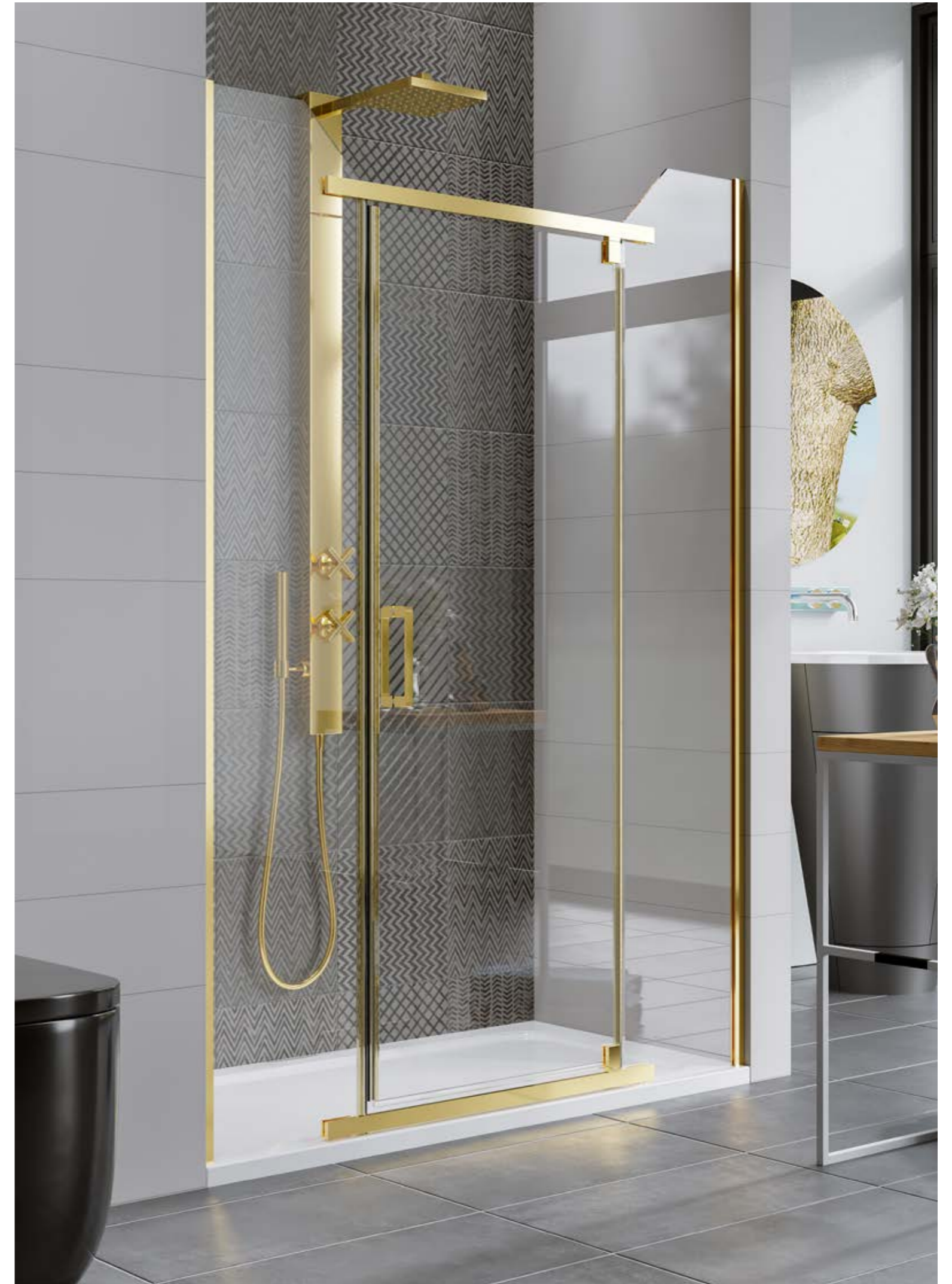
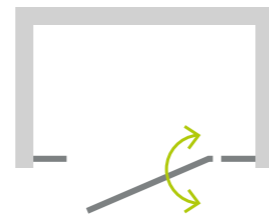
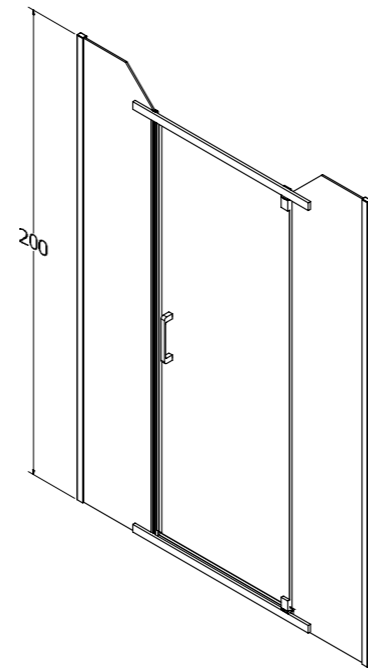
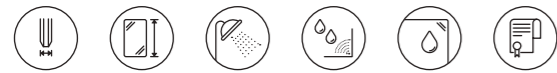
**Pivot Opening**

Cabin System

**2 Fixed 1 Opening Door With Front Entrance**

Guarantee

**2 Years**



# ALIZE





# ALIZE SERIES



Series

## ALIZE

Cabin Height

**200 cm**

Glass Thickness

**6-8 mm**

Profile Color Options

**Polished Chrome - Matt Black - Golden**

Glass Colour Options

**Transparent - Smoked - Bronze - 6 mm Reflected**

On Glass Design

**Digital Print - Sandblasting**

Door Mechanism

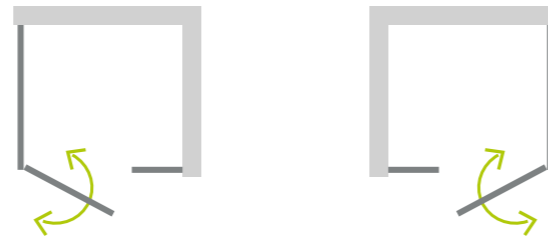
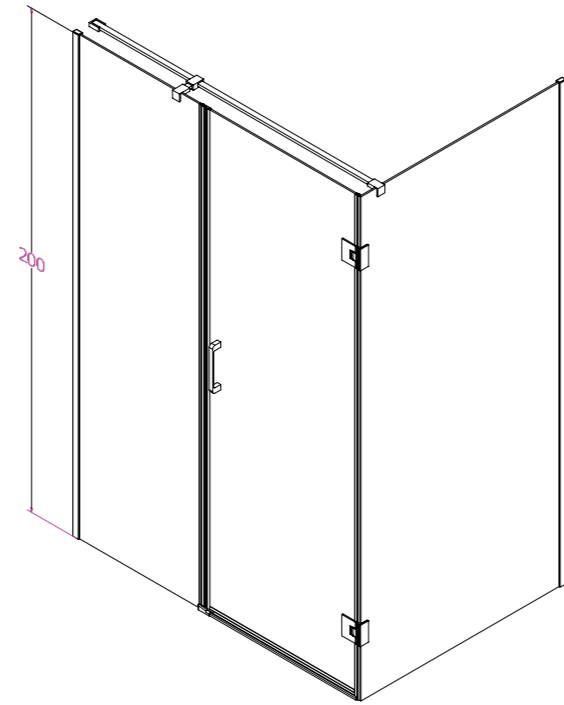
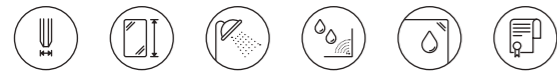
**Hinged System**

Cabin System

**1 Fixed 1 Opening 1 Side Panel With Front Entrance**

Guarantee

**2 Years**



# ALIZE SERIES

Series

## ALIZE

Cabin Height

**200 cm**

Glass Thickness

**6-8 mm**

Profile Color Options

**Polished Chrome - Matt Black - Golden**

Glass Colour Options

**Transparent - Smoked - Bronze - 6 mm Reflected**

On Glass Design

**Digital Print - Sandblasting**

Door Mechanism

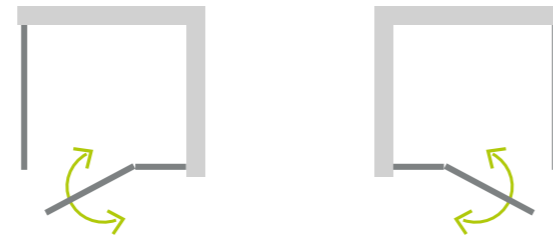
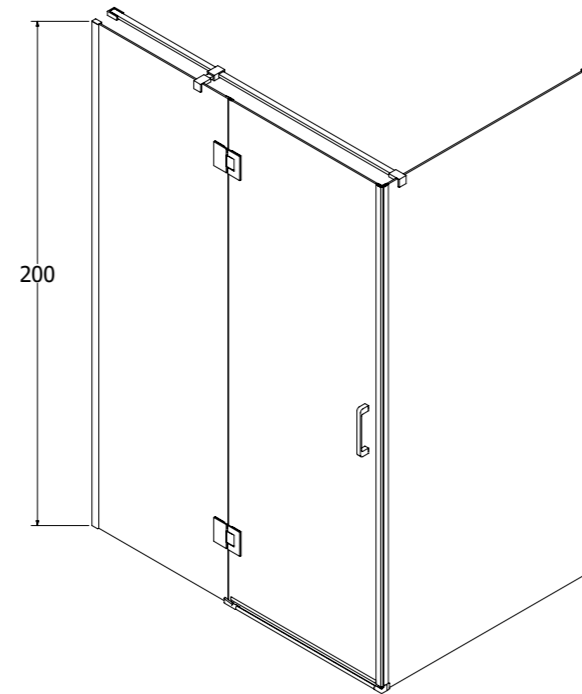
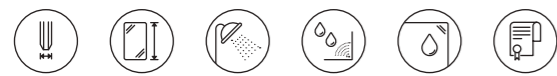
**Hinged System**

Cabin System

**1 Fixed 1 Opening 1 Side Panel With Front Entrance**

Guarantee

**2 Years**



# ALIZE SERIES

Series

## ALIZE

Cabin Height

**200 cm**

Glass Thickness

**6-8 mm**

Profile Color Options

**Polished Chrome - Matt Black - Golden**

Glass Colour Options

**Transparent - Smoked - Bronze - 6 mm Reflected**

On Glass Design

**Digital Print - Sandblasting**

Door Mechanism

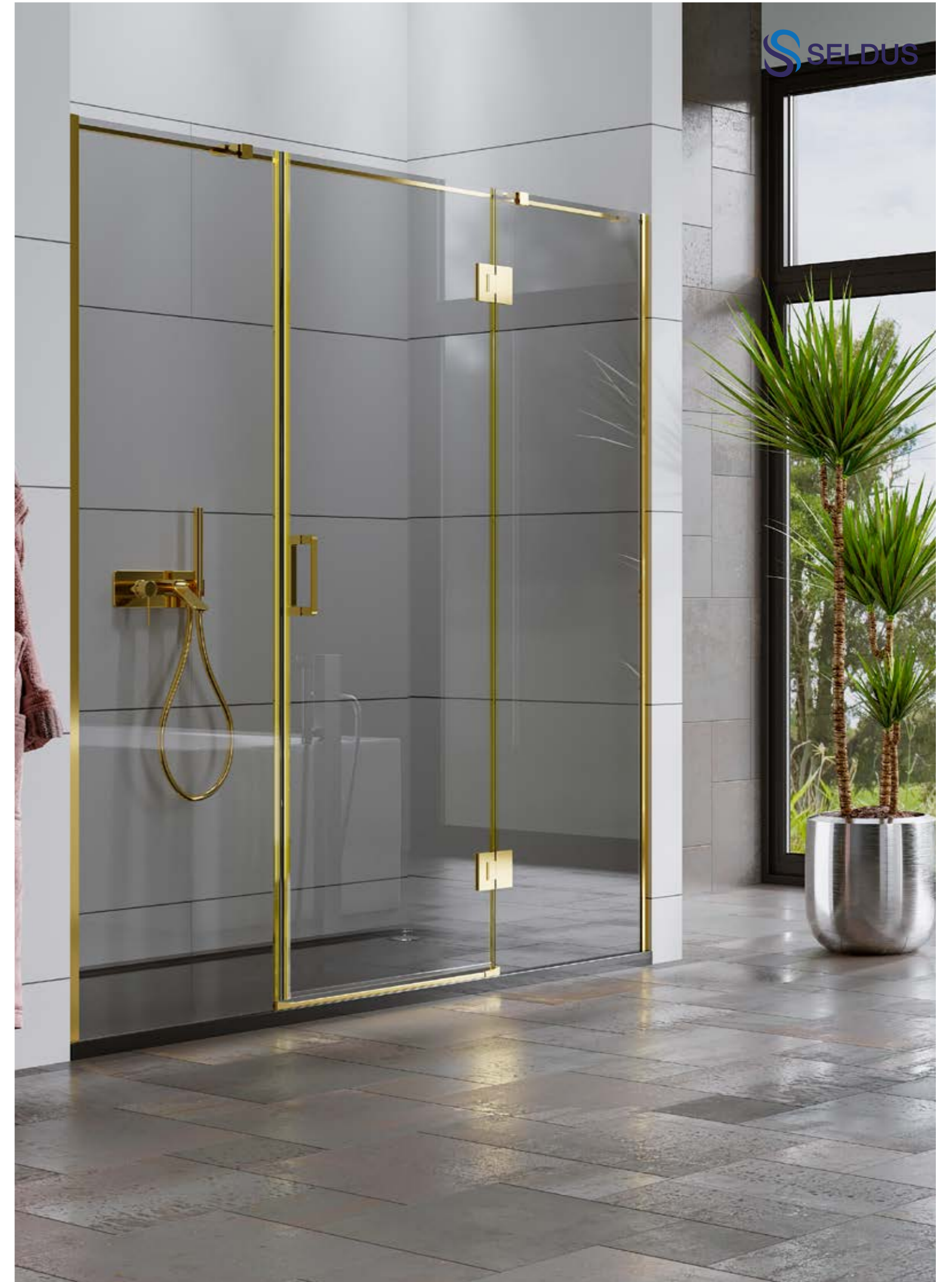
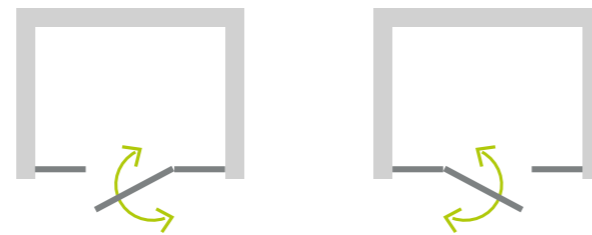
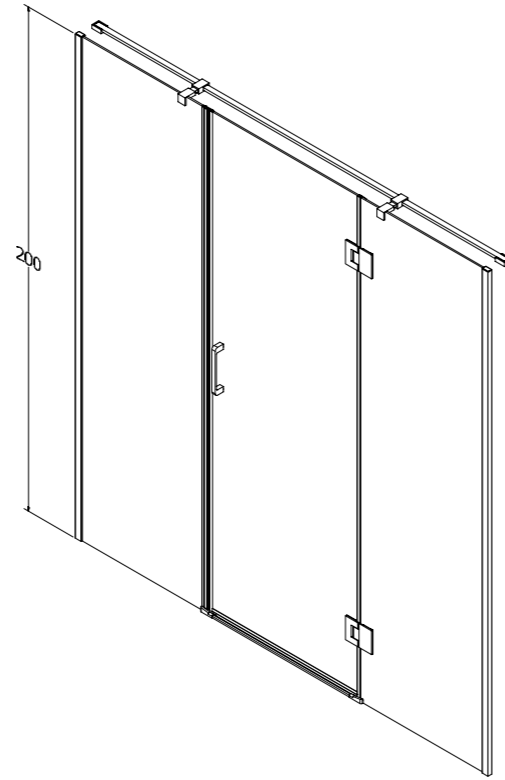
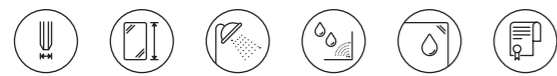
**Hinged System**

Cabin System

**2 Fixed 1 Opening With Front Entrance**

Guarantee

**2 Years**



# BELLINZA



# BELINZA SERIES



Series

## BELINZA

Cabin Height

**200 cm**

Glass Thickness

**6-8 mm**

Profile Color Options

**Polished Chrome - Matt Black - Golden**

Glass Colour Options

**Transparent - Smoked - Bronze - 6 mm Reflected**

On Glass Design

**Digital Print - Sandblasting**

Door Mechanism

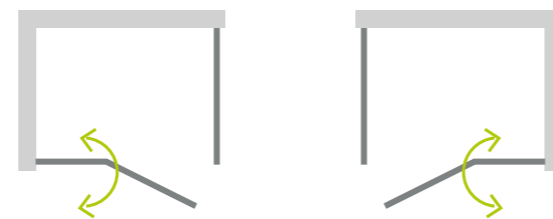
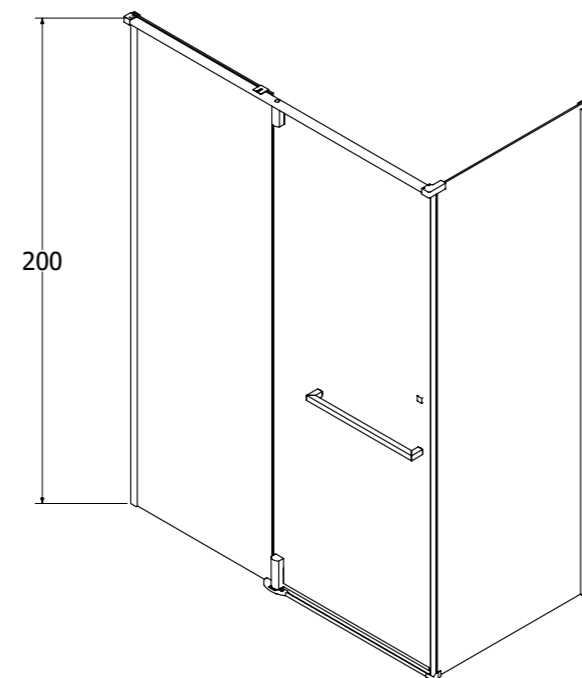
**Hinged System**

Cabin System

**1 Fixed 1 Opening 1 Side Panel With Front Entrance**

Guarantee

**2 Years**



# BELINZA SERIES



Series

## BELINZA

Cabin Height

**200 cm**

Glass Thickness

**6-8 mm**

Profile Color Options

**Polished Chrome - Matt Black - Golden**

Glass Colour Options

**Transparent - Smoked - Bronze - 6 mm Reflected**

On Glass Design

**Digital Print - Sandblasting**

Door Mechanism

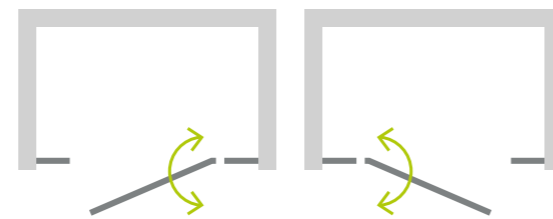
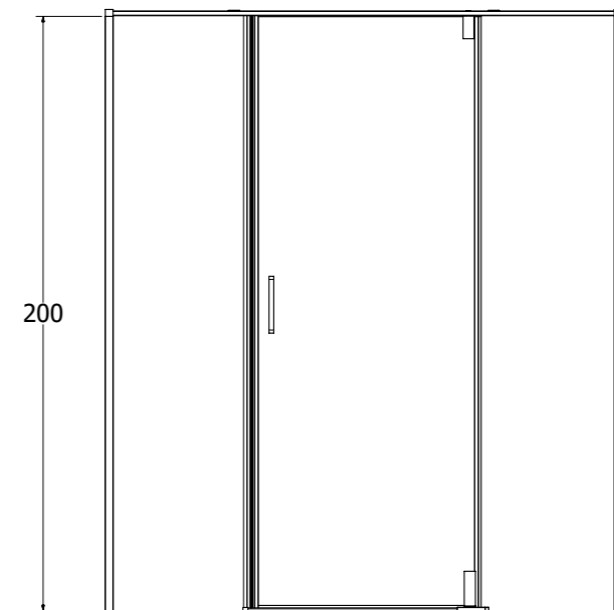
**Hinged System**

Cabin System

**2 Fixed 1 Opening With Front Entrance**

Guarantee

**2 Years**



# IPEK



# IPEK SERIES

Series

## IPEK

Cabin Height

**190 cm**

Glass Thickness

**6 mm**

Profile Color Options

**Polished Chrome - Matt Black - Golden**

Glass Colour Options

**Transparent - Smoked - Bronze - Reflected**

On Glass Design

**Digital Print - Sandblasting**

Door Mechanism

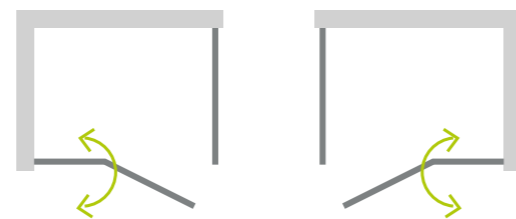
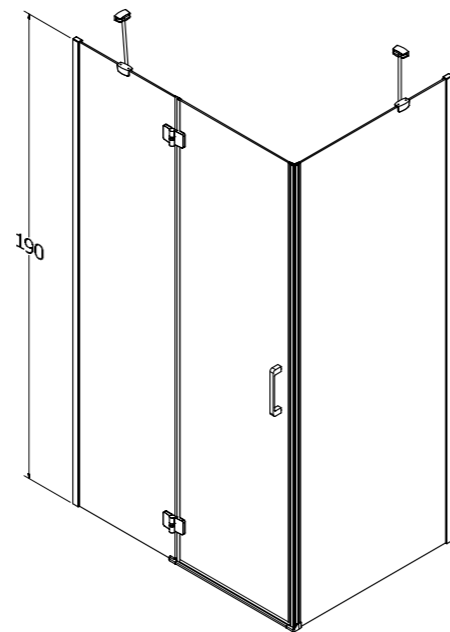
**Hinged System**

Cabin System

**1 Fixed 1 Opening 1 Side Panel With Front Entrance**

Guarantee

**2 Years**





# IPEK SERIES

Series

**IPEK**

Cabin Height

**190 cm**

Glass Thickness

**6 mm**

Profile Color Options

**Polished Chrome - Matt Black - Golden**

Glass Colour Options

**Transparent - Smoked - Bronze - Reflected**

On Glass Design

**Digital Print - Sandblasting**

Door Mechanism

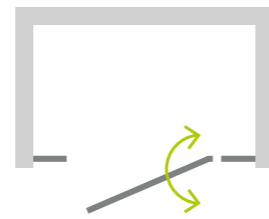
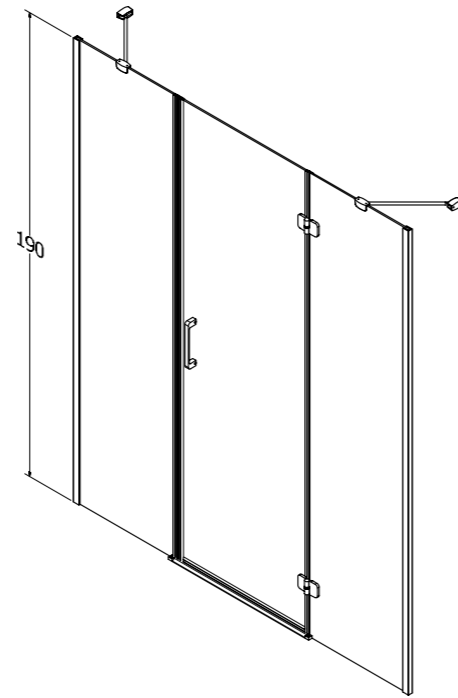
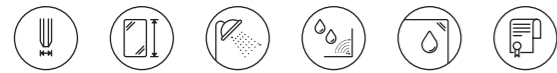
**Hinged System**

Cabin System

**2 Fixed 1 Opening With Front Entrance**

Guarantee

**2 Years**



# SUMMELLA



# SUMELA SERIES



Series

## SUMELA

Cabin Height

**190 cm**

Glass Thickness

**6 mm**

Profile Color Options

**Polished Chrome - Matt Black - Bronze - Golden**

Glass Colour Options

**Transparent - Smoked - Bronze - Reflected**

On Glass Design

**Digital Print - Sandblasting**

Door Mechanism

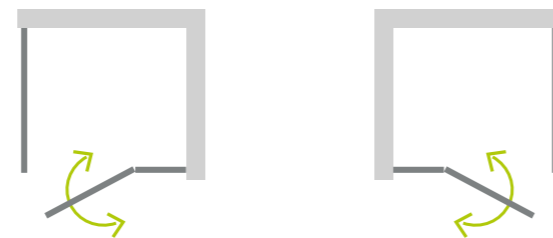
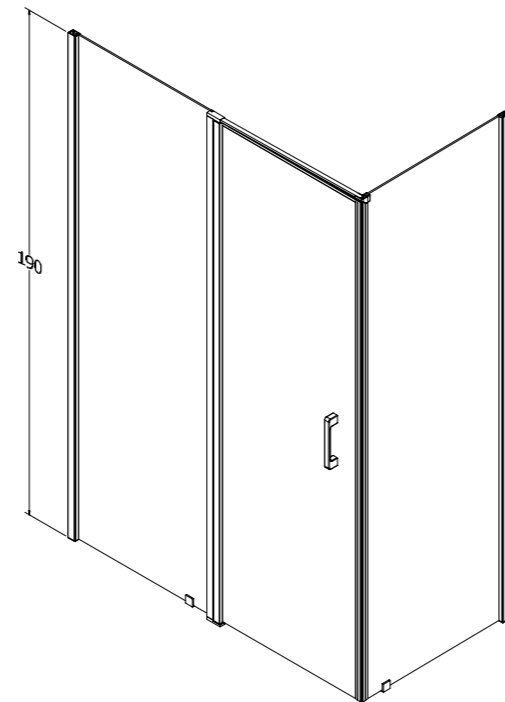
**Hinged System**

Cabin System

**1 Fixed 1 Opening 1 Side Panel With Front Entrance**

Guarantee

**2 Years**



# SUMELA SERIES



Series

**SUMELA**

Cabin Height

**190 cm**

Glass Thickness

**6 mm**

Profile Color Options

**Polished Chrome - Matt Black - Bronze - Golden**

Glass Colour Options

**Transparent - Smoked - Bronze - Reflected**

On Glass Design

**Digital Print - Sandblasting**

Door Mechanism

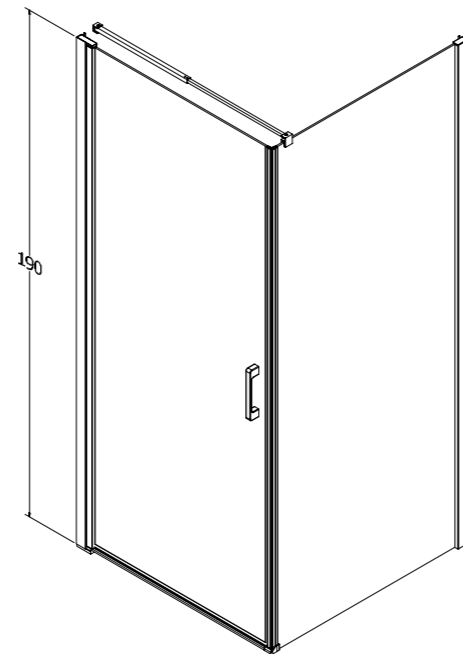
**Hinged System**

Cabin System

**1 Opening 1 Side Panel With Front Entrance**

Guarantee

**2 Years**



# SUMELA SERIES

Series

## SUMELA

Cabin Height

**190 cm**

Glass Thickness

**6 mm**

Profile Color Options

**Polished Chrome - Matt Black - Bronze - Golden**

Glass Colour Options

**Transparent - Smoked - Bronze - Reflected**

On Glass Design

**Digital Print - Sandblasting**

Door Mechanism

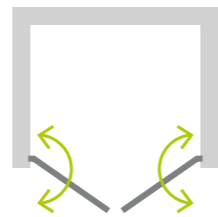
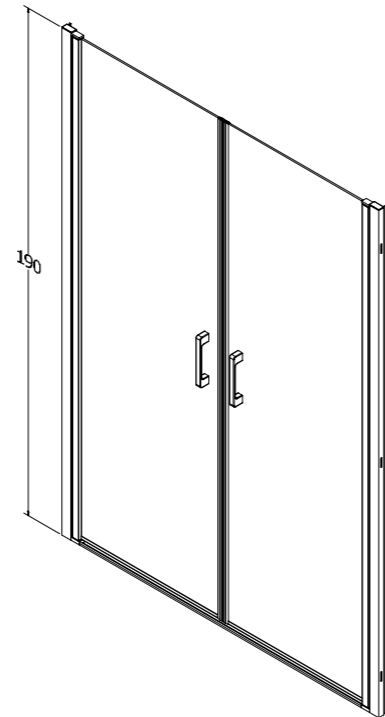
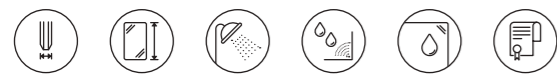
**Hinged System**

Cabin System

**1 Opening With Front Entrance**

Guarantee

**2 Years**



# SUMELA SERIES



Series

## SUMELA

Cabin Height

**190 cm**

Glass Thickness

**6 mm**

Profile Color Options

**Polished Chrome - Matt Black - Bronze - Golden**

Glass Colour Options

**Transparent - Smoked - Bronze - Reflected**

On Glass Design

**Digital Print - Sandblasting**

Door Mechanism

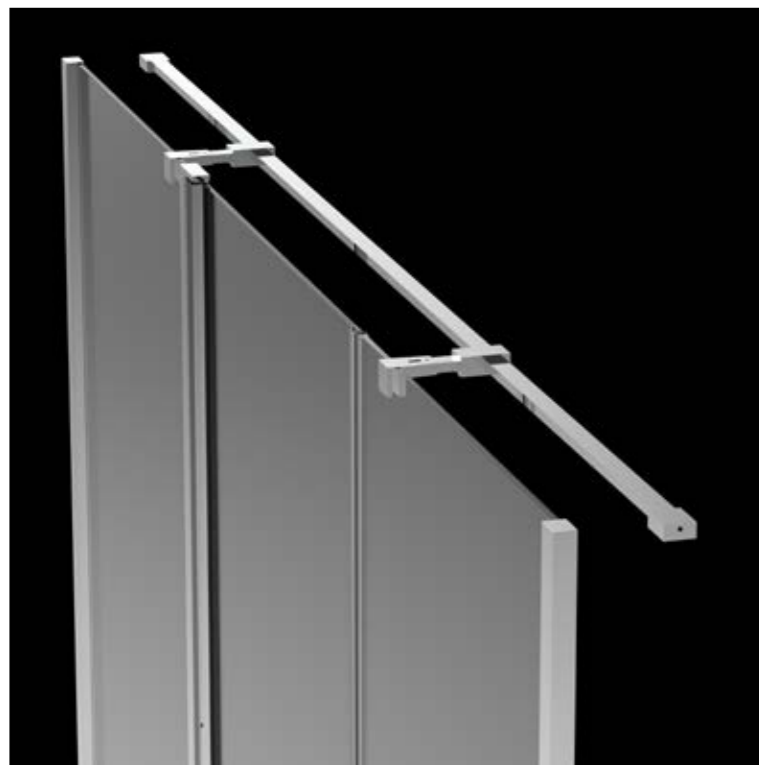
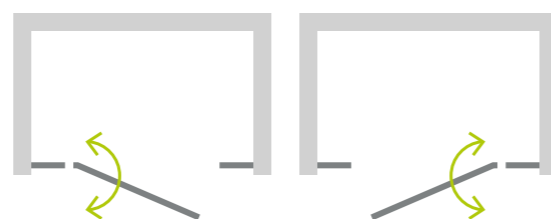
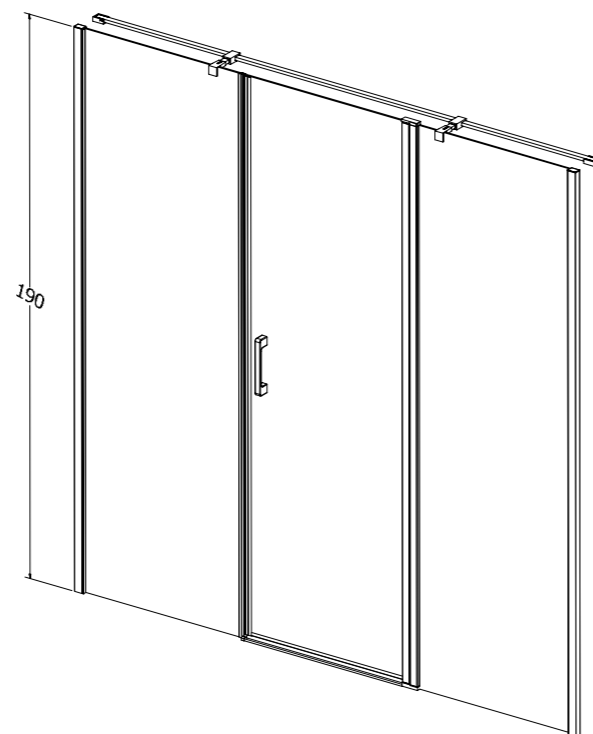
**Hinged System**

Cabin System

**2 Fixed 1 Opening With Front Entrance**

Guarantee

**2 Years**



# FOLDING



# FOLDING SERIES

Series

## FOLDING

Cabin Height

**190 cm**

Glass Thickness

**4 mm**

Profile Color Options

**Polished Chrome - Matt Black - Bronze - Golden**

Glass Colour Options

**Transparent - Smoked - Bronze - Reflected**

On Glass Design

**Digital Print - Sandblasting**

Door Mechanism

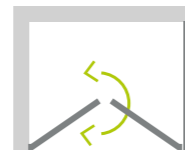
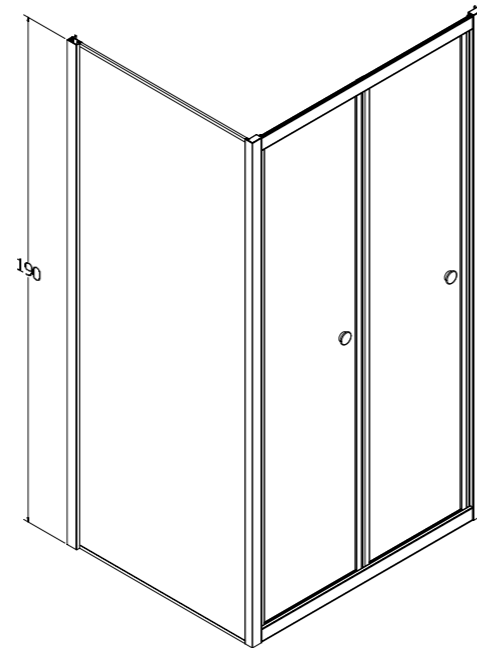
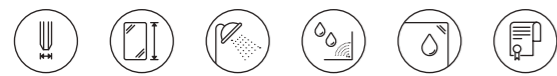
**Sliding System**

Cabin System

**1 Fixed 2 Opening Door With Front Entrance**

Guarantee

**2 Years**





# FOLDING SERIES

Series

## FOLDING

Cabin Height

**190 cm**

Glass Thickness

**4 mm**

Profile Color Options

**Polished Chrome - Matt Black - Bronze - Golden**

Glass Colour Options

**Transparent - Smoked - Bronze - Reflected**

On Glass Design

**Digital Print - Sandblasting**

Door Mechanism

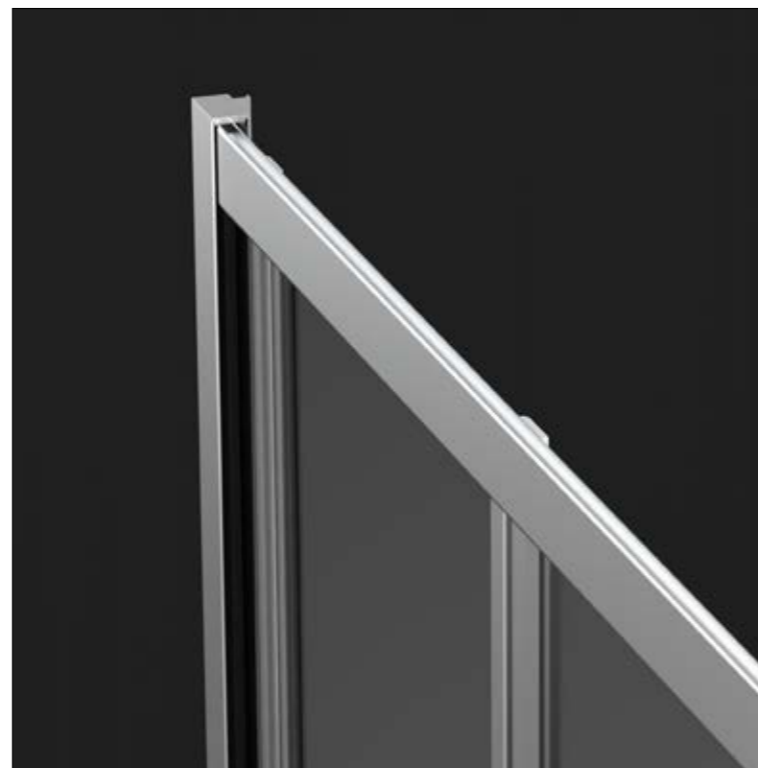
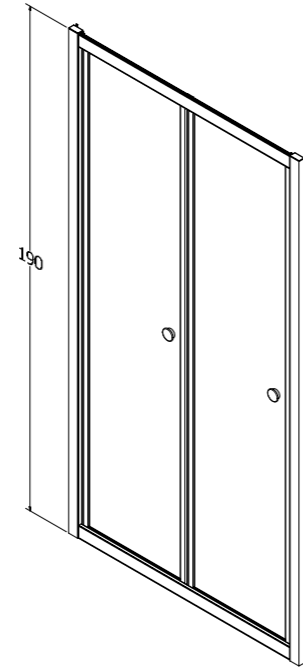
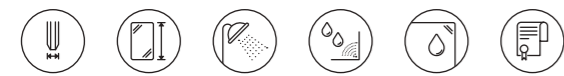
**Sliding System**

Cabin System

**2 Opening Door With Front Entrance**

Guarantee

**2 Years**



# WALK-IN



# WALK-IN

Series

**WALK-IN**

Cabin Height

**200 cm**

Glass Thickness

**6-8-10 mm**

Profile Color Options

**Polished Chrome - Matt Black - Bronze - Golden**

Glass Colour Options

**Transparent - Smoked - Bronze - 6 mm Reflected**

On Glass Design

**Digital Print - Sandblasting**

Door Mechanism

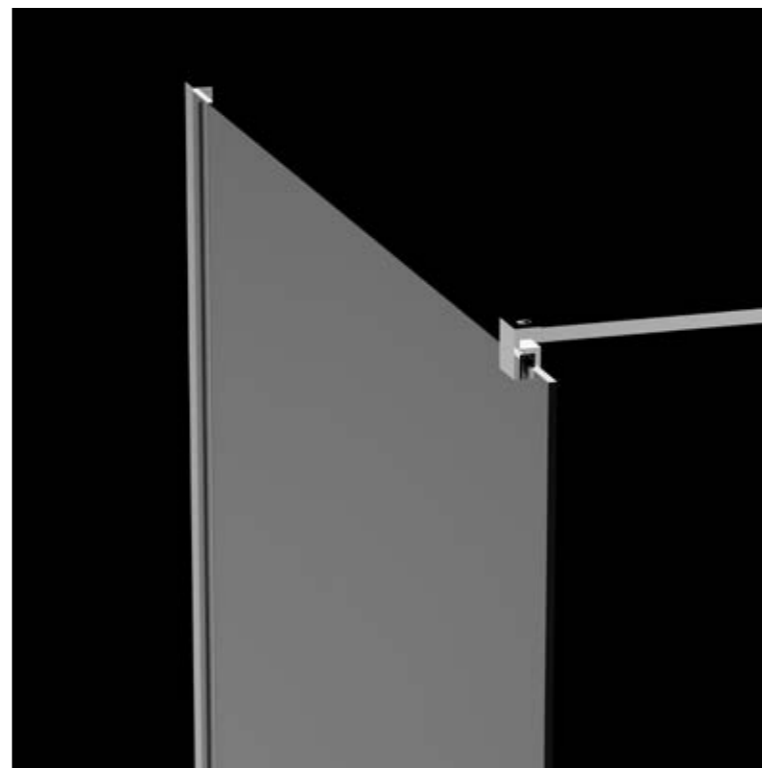
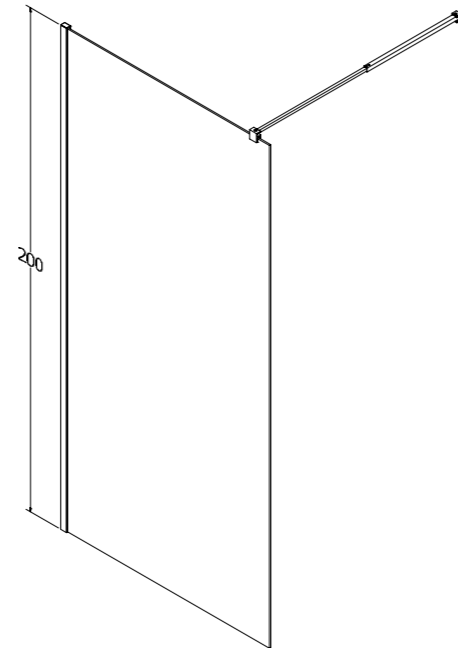
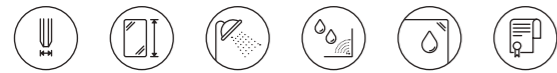
**80cm-120cm Extendable Profile Walk-In**

Cabin System

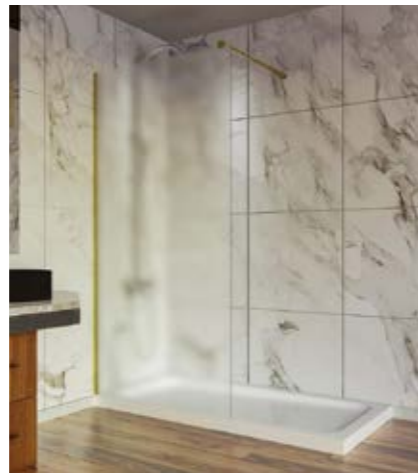
**1 Fixed Panel**

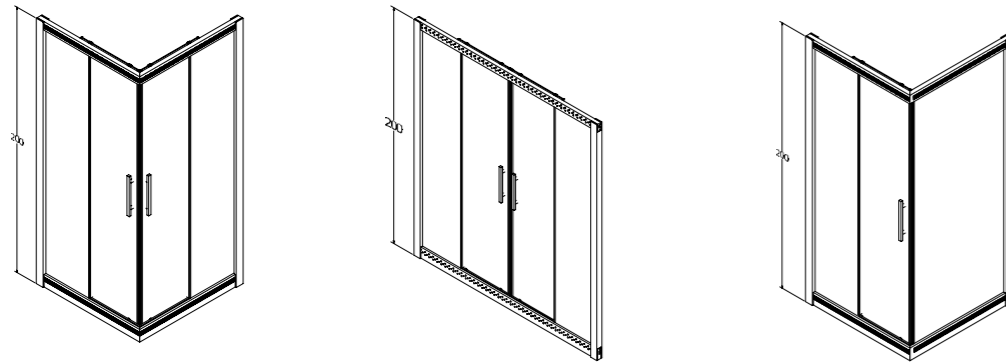
Guarantee

**2 Years**



WALK-IN

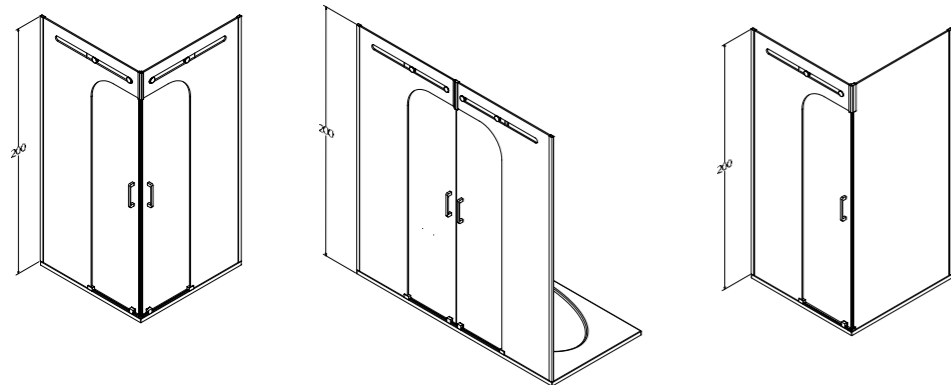




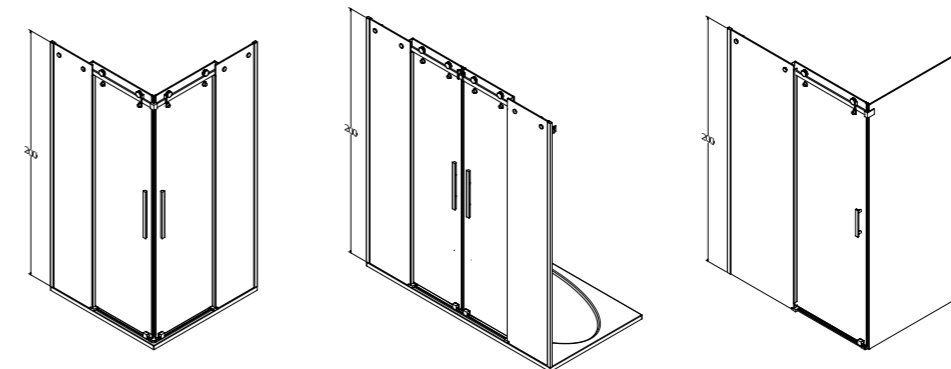
| IREKO SERIES |                 |                 |                 |                 |                 |                      |                 |
|--------------|-----------------|-----------------|-----------------|-----------------|-----------------|----------------------|-----------------|
| CORNER ENTRY | ENTRY ALLOWANCE | 2 FIX + 2 SLIDE | ENTRY ALLOWANCE | 1 FIX + 1 SLIDE | ENTRY ALLOWANCE | 1 +1 WITH SIDE PANEL | ENTRY ALLOWANCE |
| 80X80        | 42              | 140             | 60              | 110             | 46              | 80X110               | 46              |
| 90X90        | 48              | 150             | 64              | 120             | 50              | 80X120               | 50              |
| 100X100      | 54              | 160             | 68              | 130             | 54              | 80X130               | 54              |
|              |                 | 170             | 72              | 140             | 58              | 80X140               | 58              |
|              |                 | 180             | 76              | 150             | 62              | 80X150               | 62              |
|              |                 | 190             | 80              |                 |                 | 90X110               | 46              |
|              |                 | 200             | 84              |                 |                 | 90X120               | 50              |
|              |                 |                 |                 |                 |                 | 90X130               | 54              |
|              |                 |                 |                 |                 |                 | 90X140               | 58              |
|              |                 |                 |                 |                 |                 | 90X150               | 62              |



| LISBON SERIES |                 |                 |                 |                 |                 |                      |                 |
|---------------|-----------------|-----------------|-----------------|-----------------|-----------------|----------------------|-----------------|
| CORNER ENTRY  | ENTRY ALLOWANCE | 2 FIX + 2 SLIDE | ENTRY ALLOWANCE | 1 FIX + 1 SLIDE | ENTRY ALLOWANCE | 1 +1 WITH SIDE PANEL | ENTRY ALLOWANCE |
| 80X80         | 44              | 140             | 60              | 110             | 46              | 80X110               | 46              |
| 90X90         | 49              | 150             | 64              | 120             | 50              | 80X120               | 50              |
| 100X100       | 54              | 160             | 68              | 130             | 54              | 80X130               | 54              |
|               |                 | 170             | 72              | 140             | 58              | 80X140               | 58              |
|               |                 | 180             | 76              | 150             | 62              | 80X150               | 62              |
|               |                 | 190             | 80              |                 |                 | 90X110               | 46              |
|               |                 | 200             | 84              |                 |                 | 90X120               | 50              |
|               |                 |                 |                 |                 |                 | 90X130               | 54              |
|               |                 |                 |                 |                 |                 | 90X140               | 58              |
|               |                 |                 |                 |                 |                 | 90X150               | 62              |



| ADMIRAL SERIES |                 |                 |                 |                 |                 |                      |                 |
|----------------|-----------------|-----------------|-----------------|-----------------|-----------------|----------------------|-----------------|
| CORNER ENTRY   | ENTRY ALLOWANCE | 2 FIX + 2 SLIDE | ENTRY ALLOWANCE | 1 FIX + 1 SLIDE | ENTRY ALLOWANCE | 1 +1 WITH SIDE PANEL | ENTRY ALLOWANCE |
| 80X80          | 44              | 140             | 58              | 110             | 46              | 80X110               | 46              |
| 90X90          | 49              | 150             | 62              | 120             | 50              | 80X120               | 50              |
| 100X100        | 54              | 160             | 66              | 130             | 54              | 80X130               | 54              |
|                |                 | 170             | 70              | 140             | 58              | 80X140               | 58              |
|                |                 | 180             | 74              | 150             | 62              | 80X150               | 62              |
|                |                 | 190             | 78              |                 |                 | 90X110               | 46              |
|                |                 | 200             | 82              |                 |                 | 90X120               | 50              |
|                |                 |                 |                 |                 |                 | 90X130               | 54              |
|                |                 |                 |                 |                 |                 | 90X140               | 58              |
|                |                 |                 |                 |                 |                 | 90X150               | 62              |



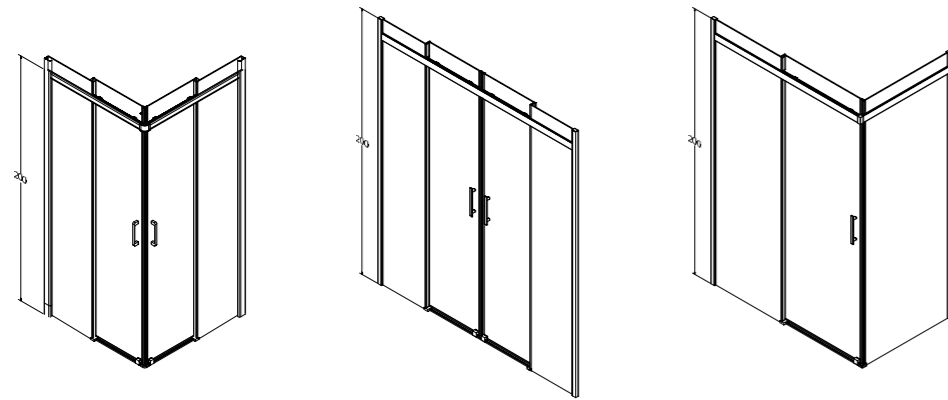
| ZIGANA SERIES |                 |                 |                 |                 |                 |                      |                 |
|---------------|-----------------|-----------------|-----------------|-----------------|-----------------|----------------------|-----------------|
| CORNER ENTRY  | ENTRY ALLOWANCE | 2 FIX + 2 SLIDE | ENTRY ALLOWANCE | 1 FIX + 1 SLIDE | ENTRY ALLOWANCE | 1 +1 WITH SIDE PANEL | ENTRY ALLOWANCE |
| 80X80         | 42              | 140             | 54              | 110             | 46              | 80X110               | 46              |
| 90X90         | 47              | 150             | 58              | 120             | 50              | 80X120               | 50              |
| 100X100       | 52              | 160             | 62              | 130             | 54              | 80X130               | 54              |
|               |                 | 170             | 66              | 140             | 58              | 80X140               | 58              |
|               |                 | 180             | 70              | 150             | 62              | 80X150               | 62              |
|               |                 | 190             | 74              |                 |                 | 90X110               | 46              |
|               |                 | 200             | 78              |                 |                 | 90X120               | 50              |
|               |                 |                 |                 |                 |                 | 90X130               | 54              |
|               |                 |                 |                 |                 |                 | 90X140               | 58              |
|               |                 |                 |                 |                 |                 | 90X150               | 62              |



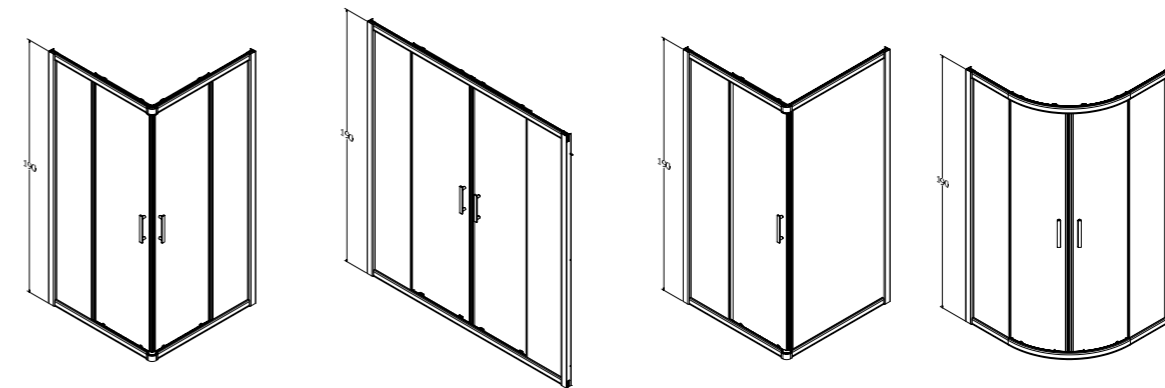
| ISTANBUL SERIES |                 |                 |                 |                 |                 |                      |                 |
|-----------------|-----------------|-----------------|-----------------|-----------------|-----------------|----------------------|-----------------|
| CORNER ENTRY    | ENTRY ALLOWANCE | 2 FIX + 2 SLIDE | ENTRY ALLOWANCE | 1 FIX + 1 SLIDE | ENTRY ALLOWANCE | 1 +1 WITH SIDE PANEL | ENTRY ALLOWANCE |
| 80X80           | 40              | 140             | 54              | 110             | 46              | 80X110               | 46              |
| 90X90           | 45              | 150             | 58              | 120             | 50              | 80X120               | 50              |
| 100X100         | 50              | 160             | 62              | 130             | 54              | 80X130               | 54              |
|                 |                 | 170             | 66              | 140             | 58              | 80X140               | 58              |
|                 |                 | 180             | 70              | 150             | 62              | 80X150               | 62              |
|                 |                 | 190             | 74              |                 |                 | 90X110               | 46              |
|                 |                 | 200             | 78              |                 |                 | 90X120               | 50              |
|                 |                 |                 |                 |                 |                 | 90X130               | 54              |
|                 |                 |                 |                 |                 |                 | 90X140               | 58              |
|                 |                 |                 |                 |                 |                 | 90X150               | 62              |



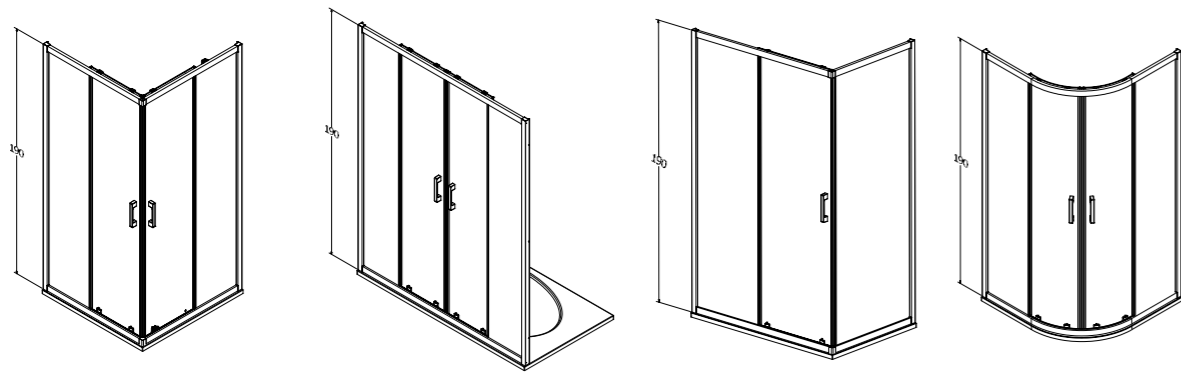
| MIMOSA SERIES |                 |                 |                 |                 |                 |                      |                 |
|---------------|-----------------|-----------------|-----------------|-----------------|-----------------|----------------------|-----------------|
| CORNER ENTRY  | ENTRY ALLOWANCE | 2 FIX + 2 SLIDE | ENTRY ALLOWANCE | 1 FIX + 1 SLIDE | ENTRY ALLOWANCE | 1 +1 WITH SIDE PANEL | ENTRY ALLOWANCE |
| 80X80         | 44              | 140             | 58              | 110             | 46              | 80X110               | 48              |
| 90X90         | 49              | 150             | 62              | 120             | 50              | 80X120               | 52              |
| 100X100       | 54              | 160             | 66              | 130             | 54              | 80X130               | 56              |
|               |                 | 170             | 70              | 140             | 58              | 80X140               | 60              |
|               |                 | 180             | 74              | 150             | 62              | 80X150               | 64              |
|               |                 | 190             | 78              |                 |                 | 90X110               | 48              |
|               |                 | 200             | 82              |                 |                 | 90X120               | 52              |
|               |                 |                 |                 |                 |                 | 90X130               | 56              |
|               |                 |                 |                 |                 |                 | 90X140               | 60              |
|               |                 |                 |                 |                 |                 | 90X150               | 64              |



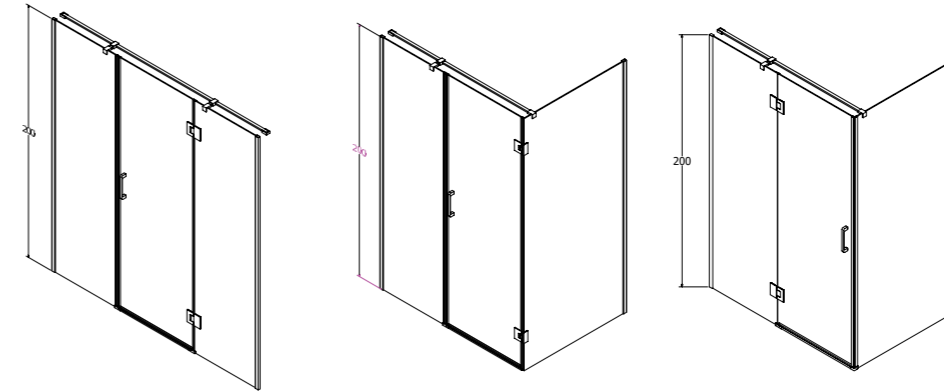
| ALMIRA SERIES |                 |                 |                 |                 |                 |                      |                 |
|---------------|-----------------|-----------------|-----------------|-----------------|-----------------|----------------------|-----------------|
| CORNER ENTRY  | ENTRY ALLOWANCE | 2 FIX + 2 SLIDE | ENTRY ALLOWANCE | 1 FIX + 1 SLIDE | ENTRY ALLOWANCE | 1 +1 WITH SIDE PANEL | ENTRY ALLOWANCE |
| 80X80         | 44              | 140             | 58              | 110             | 46              | 80X110               | 48              |
| 90X90         | 49              | 150             | 62              | 120             | 50              | 80X120               | 52              |
| 100X100       | 54              | 160             | 66              | 130             | 54              | 80X130               | 56              |
|               |                 | 170             | 70              | 140             | 58              | 80X140               | 60              |
|               |                 | 180             | 74              | 150             | 62              | 80X150               | 64              |
|               |                 | 190             | 78              |                 |                 | 90X110               | 48              |
|               |                 | 200             | 82              |                 |                 | 90X120               | 52              |
|               |                 |                 |                 |                 |                 | 90X130               | 56              |
|               |                 |                 |                 |                 |                 | 90X140               | 60              |
|               |                 |                 |                 |                 |                 | 90X150               | 64              |



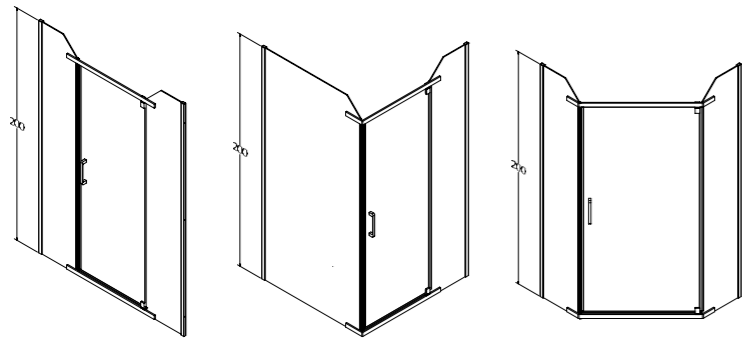
| SAHİN SERIES |                 |                 |                 |                 |                 |                      |                 |               |                 |
|--------------|-----------------|-----------------|-----------------|-----------------|-----------------|----------------------|-----------------|---------------|-----------------|
| CORNER ENTRY | ENTRY ALLOWANCE | 2 FIX + 2 SLIDE | ENTRY ALLOWANCE | 1 FIX + 1 SLIDE | ENTRY ALLOWANCE | 1 +1 WITH SIDE PANEL | ENTRY ALLOWANCE | QUADRANT SIZE | ENTRY ALLOWANCE |
| 80X80        | 44              | 140             | 58              | 110             | 46              | 80X110               | 48              | 80X80         | 44              |
| 90X90        | 49              | 150             | 62              | 120             | 50              | 80X120               | 52              | 90X90         | 57              |
| 100X100      | 54              | 160             | 66              | 130             | 54              | 80X130               | 56              | 10X100        | 62              |
|              |                 | 170             | 70              | 140             | 58              | 80X140               | 60              |               |                 |
|              |                 | 180             | 74              | 150             | 62              | 80X150               | 64              |               |                 |
|              |                 | 190             | 78              |                 |                 | 90X110               | 48              |               |                 |
|              |                 | 200             | 82              |                 |                 | 90X120               | 52              |               |                 |
|              |                 |                 |                 |                 |                 | 90X130               | 56              |               |                 |
|              |                 |                 |                 |                 |                 | 90X140               | 60              |               |                 |
|              |                 |                 |                 |                 |                 | 90X150               | 64              |               |                 |



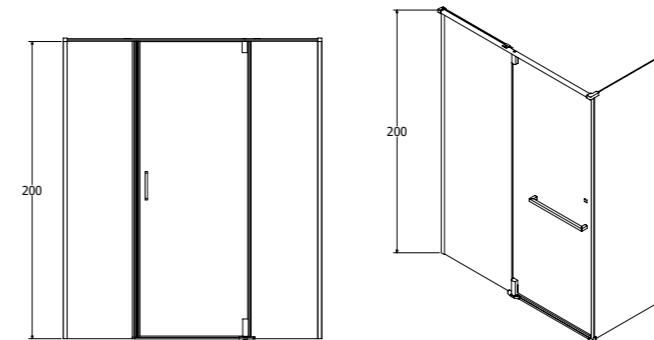
| EUROPE SERIES |                 |                 |                 |                 |                 |                      |                 |               |                 |
|---------------|-----------------|-----------------|-----------------|-----------------|-----------------|----------------------|-----------------|---------------|-----------------|
| CORNER ENTRY  | ENTRY ALLOWANCE | 2 FIX + 2 SLIDE | ENTRY ALLOWANCE | 1 FIX + 1 SLIDE | ENTRY ALLOWANCE | 1 +1 WITH SIDE PANEL | ENTRY ALLOWANCE | QUADRANT SIZE | ENTRY ALLOWANCE |
| 80X80         | 44              | 140             | 57              | 110             | 45              | 80X110               | 47              | 80X80         | 44              |
| 90X90         | 49              | 150             | 61              | 120             | 49              | 80X120               | 51              | 90X90         | 57              |
| 100X100       | 54              | 160             | 65              | 130             | 53              | 80X130               | 55              | 100X100       | 62              |
|               |                 | 170             | 69              | 140             | 57              | 80X140               | 59              |               |                 |
|               |                 | 180             | 73              | 150             | 61              | 80X150               | 63              |               |                 |
|               |                 | 190             | 77              |                 |                 | 90X110               | 47              |               |                 |
|               |                 | 200             | 81              |                 |                 | 90X120               | 51              |               |                 |
|               |                 |                 |                 |                 |                 | 90X130               | 55              |               |                 |
|               |                 |                 |                 |                 |                 | 90X140               | 59              |               |                 |
|               |                 |                 |                 |                 |                 | 90X150               | 63              |               |                 |



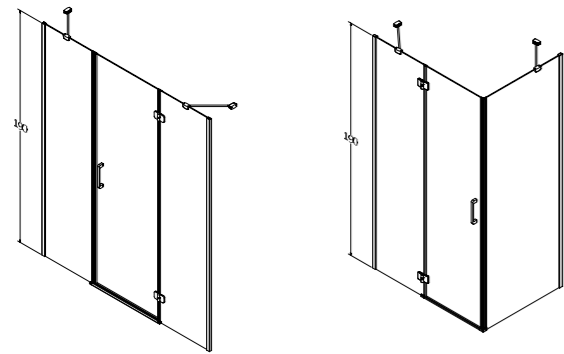
| ALIZE SERIES      |                 |                      |                 |                      |                 |
|-------------------|-----------------|----------------------|-----------------|----------------------|-----------------|
| 2 FIX + 1 OPENING | ENTRY ALLOWANCE | 1 +1 WITH SIDE PANEL | ENTRY ALLOWANCE | 1 +1 WITH SIDE PANEL | ENTRY ALLOWANCE |
| 130               | 63              | 80X100               | 63              | 80X100               | 63              |
| 140               | 63              | 80X110               | 63              | 80X110               | 63              |
| 150               | 63              | 80X120               | 63              | 80X120               | 63              |
| 160               | 63              | 80X130               | 63              | 80X130               | 63              |
| 170               | 63              | 80X140               | 63              | 80X140               | 63              |
| 180               | 63              | 80X150               | 63              | 80X150               | 63              |
| 190               | 63              | 90X90                | 63              | 90X90                | 63              |
| 200               | 63              | 90X100               | 63              | 90X100               | 63              |
|                   |                 | 90X110               | 63              | 90X110               | 63              |
|                   |                 | 90X120               | 63              | 90X120               | 63              |
|                   |                 | 90X130               | 63              | 90X130               | 63              |
|                   |                 | 90X140               | 63              | 90X140               | 63              |
|                   |                 | 90X150               | 63              | 90X150               | 63              |



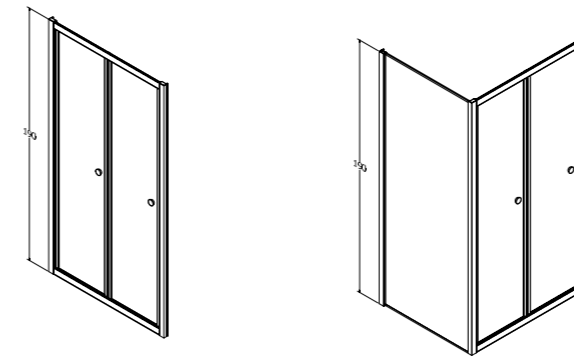
| EVEREST SERIES    |                 |                      |                 |                 |                 |
|-------------------|-----------------|----------------------|-----------------|-----------------|-----------------|
| 2 FIX + 1 OPENING | ENTRY ALLOWANCE | 1 +1 WITH SIDE PANEL | ENTRY ALLOWANCE | PENTAGONAL SIZE | ENTRY ALLOWANCE |
| 130               | 56              | 80X100               | 56              | 80X80           | 61              |
| 140               | 56              | 80X110               | 56              | 90X90           | 61              |
| 150               | 56              | 80X120               | 56              | 100X100         | 61              |
| 160               | 56              | 80X130               | 56              |                 |                 |
| 170               | 56              | 80X140               | 56              |                 |                 |
| 180               | 56              | 80X150               | 56              |                 |                 |
| 190               | 56              | 90X90                | 56              |                 |                 |
| 200               | 56              | 90X100               | 56              |                 |                 |
|                   |                 | 90X110               | 56              |                 |                 |
|                   |                 | 90X120               | 56              |                 |                 |
|                   |                 | 90X130               | 56              |                 |                 |
|                   |                 | 90X140               | 56              |                 |                 |
|                   |                 | 90X150               | 56              |                 |                 |



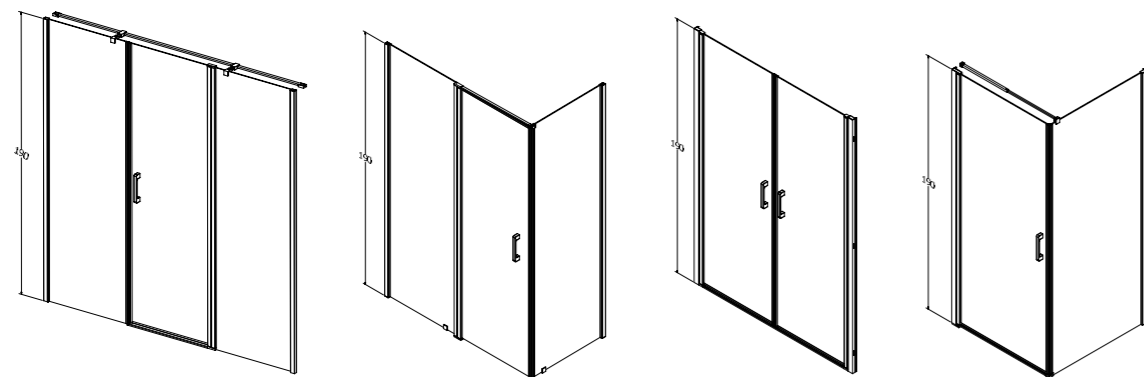
| BELINZA SERIES    |                 |                      |                 |
|-------------------|-----------------|----------------------|-----------------|
| 2 FIX + 1 OPENING | ENTRY ALLOWANCE | 1 +1 WITH SIDE PANEL | ENTRY ALLOWANCE |
| 130               | 60              | 80X100               | 60              |
| 140               | 60              | 80X110               | 60              |
| 150               | 60              | 80X120               | 60              |
| 160               | 60              | 80X130               | 60              |
| 170               | 60              | 80X140               | 60              |
| 180               | 60              | 80X150               | 60              |
| 190               | 60              | 90X90                | 60              |
| 200               | 60              | 90X100               | 60              |
|                   |                 | 90X110               | 60              |
|                   |                 | 90X120               | 60              |
|                   |                 | 90X130               | 60              |
|                   |                 | 90X140               | 60              |
|                   |                 | 90X150               | 60              |



| IPEK SERIES       |                 |                                   |                 |
|-------------------|-----------------|-----------------------------------|-----------------|
| 2 FIX + 1 OPENING | ENTRY ALLOWANCE | 1 FIX + 1 OPENING WITH SIDE PANEL | ENTRY ALLOWANCE |
| 130               | 64              | 80X100                            | 64              |
| 140               | 64              | 80X110                            | 64              |
| 150               | 64              | 80X120                            | 64              |
| 160               | 64              | 80X130                            | 64              |
| 170               | 64              | 80X140                            | 64              |
| 180               | 64              | 80X150                            | 64              |
| 190               | 64              | 90X90                             | 64              |
| 200               | 64              | 90X100                            | 64              |
|                   |                 | 90X110                            | 64              |
|                   |                 | 90X120                            | 64              |
|                   |                 | 90X130                            | 64              |
|                   |                 | 90X140                            | 64              |
|                   |                 | 90X150                            | 64              |



| FOLDING SERIES |                 |                      |                 |
|----------------|-----------------|----------------------|-----------------|
| FLAT           | ENTRY ALLOWANCE | FLAT WITH SIDE PANEL | ENTRY ALLOWANCE |
| 80             | 68              | 80X80                | 68              |
| 90             | 76              | 80X90                | 76              |
| 100            | 85              | 80X100               | 85              |
| 110            | 93              | 80X110               | 93              |
|                |                 | 90X90                | 76              |
|                |                 | 90X100               | 85              |
|                |                 | 90X110               | 93              |



| SUMELA SERIES     |                 |                   |                 |          |                 |                 |                 |
|-------------------|-----------------|-------------------|-----------------|----------|-----------------|-----------------|-----------------|
| 2 FIX + 1 OPENING | ENTRY ALLOWANCE | 1 FIX + 1 OPENING | ENTRY ALLOWANCE | BAR DOOR | ENTRY ALLOWANCE | 1 DOOR + 1 SIDE | ENTRY ALLOWANCE |
| 130               | 60              | 80X100            | 60              | 80       | 69              | 80X80           | 72              |
| 140               | 60              | 80X110            | 60              | 90       | 77              | 90X90           | 82              |
| 150               | 60              | 80X120            | 60              | 100      | 86              |                 |                 |
| 160               | 60              | 80X130            | 60              | 110      | 94              |                 |                 |
| 170               | 60              | 80X140            | 60              | 120      | 103             |                 |                 |
| 180               | 60              | 80X150            | 60              |          |                 |                 |                 |
| 190               | 60              | 90X90             | 60              |          |                 |                 |                 |
| 200               | 60              | 90X100            | 60              |          |                 |                 |                 |
|                   |                 | 90X110            | 60              |          |                 |                 |                 |
|                   |                 | 90X120            | 60              |          |                 |                 |                 |
|                   |                 | 90X130            | 60              |          |                 |                 |                 |
|                   |                 | 90X140            | 60              |          |                 |                 |                 |
|                   |                 | 90X150            | 60              |          |                 |                 |                 |





# GLASS SANDBLASTING PATTERNS



CODE 1001



CODE 1002



CODE 1003



CODE 1010



CODE 1011



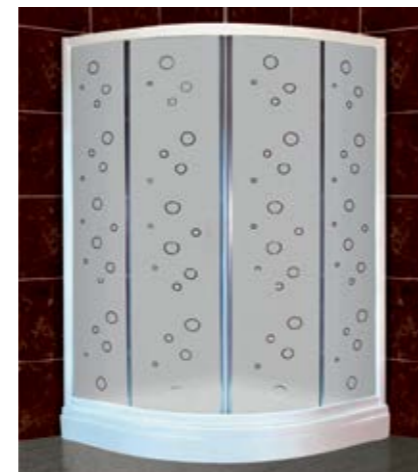
CODE 1012



CODE 1004



CODE 1005



CODE 1006



CODE 1013



CODE 1014



CODE 1015



CODE 1007



CODE 1008



CODE 1009



CODE 1016



CODE 1017



CODE 1018

DIGITAL PRINT OPTIONS



EMY 101



EMY 102



EMY 103



EMY 104



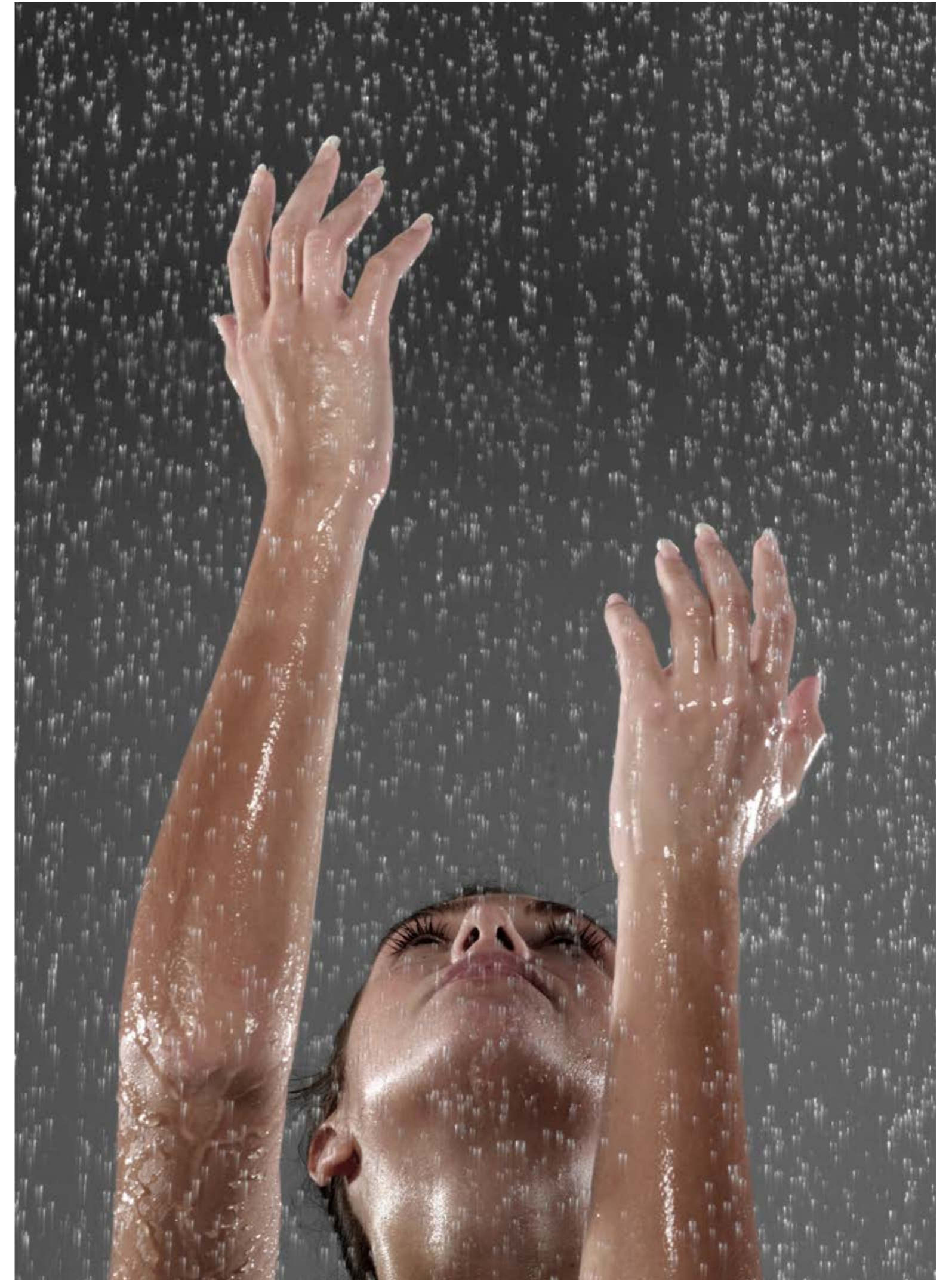
EMY 105



EMY 106



EMY 107



# BATHTUBS

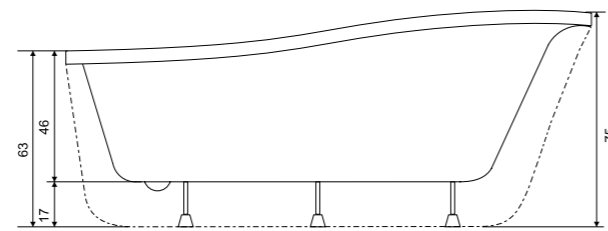
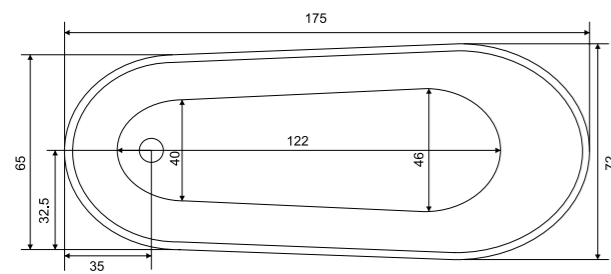


# MONART FREE BATHTUB



| Code    | Size / cm |
|---------|-----------|
| BK 0060 | 72 x 175  |

75 HEIGHT
HYDRO SYSTEM
ECO FRIENDLY
COLOR OPTION

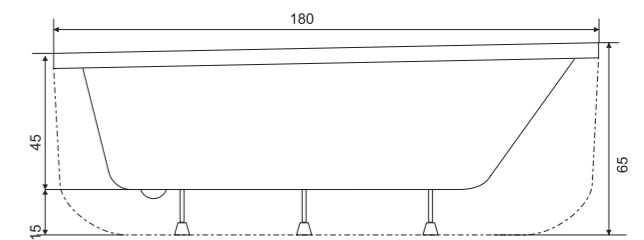
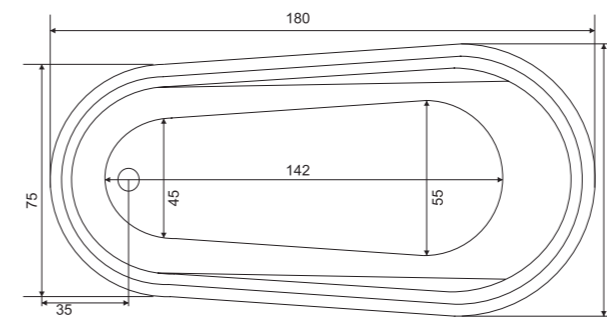


# PRESTIGE FREE BATHTUB



| Code    | Size / cm     |
|---------|---------------|
| BK 0030 | 90 x 75 x 180 |

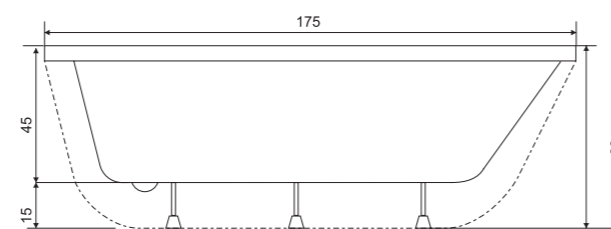
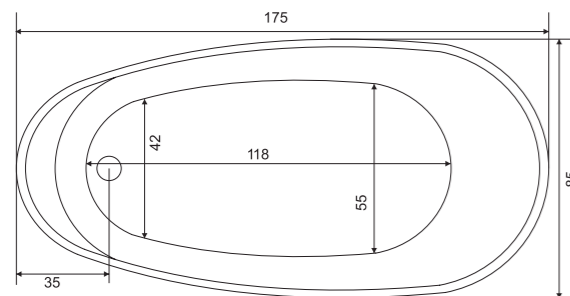
65 HEIGHT
HYDRO SYSTEM
ECO FRIENDLY
COLOR OPTION



## MAYA FREE BATHTUB



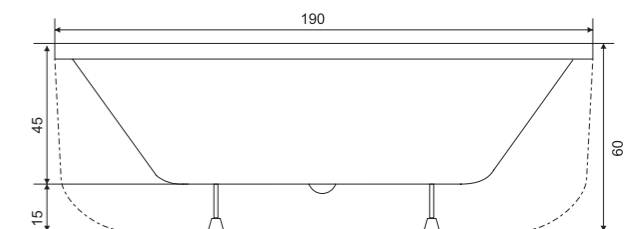
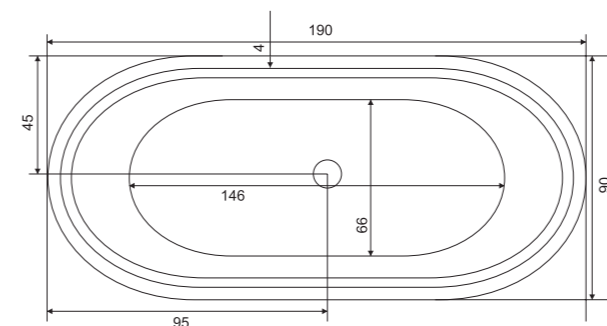
| Code    | Size / cm |
|---------|-----------|
| EK 0080 | 85 x 175  |



## QUEEN FREE BATHTUB



| Code    | Size / cm |
|---------|-----------|
| BK 0020 | 90 x 190  |

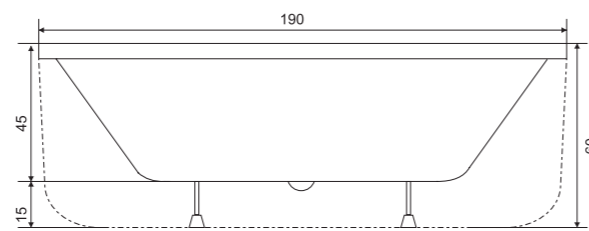
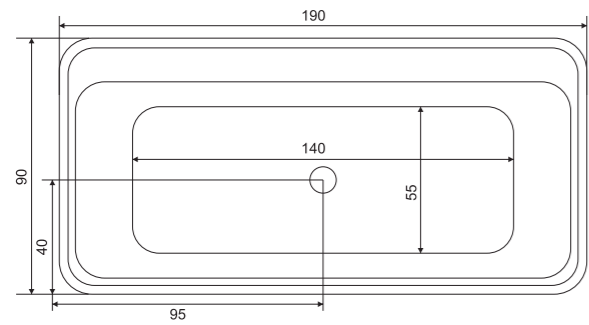


# NORTH FREE BATHTUB



| Code    | Size / cm |
|---------|-----------|
| BK 0050 | 90 x 190  |

60 HEIGHT
HYDRO SYSTEM
eco ECO FRIENDLY
COLOR OPTION

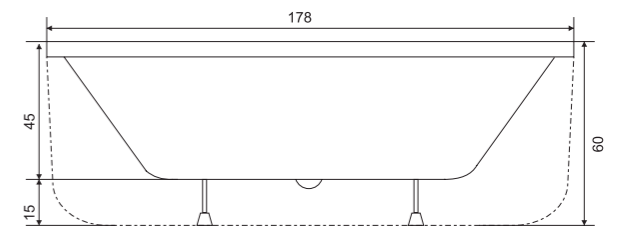
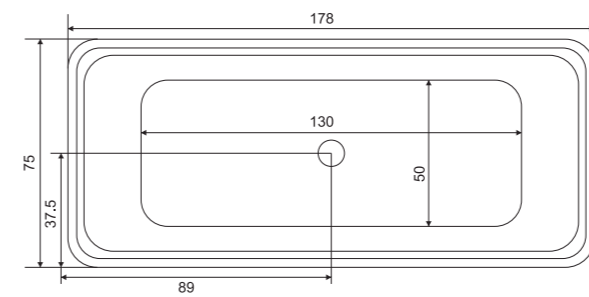


# WEST FREE BATHTUB



| Code    | Size / cm |
|---------|-----------|
| BK 0040 | 75 x 178  |

60 HEIGHT
HYDRO SYSTEM
eco ECO FRIENDLY
COLOR OPTION

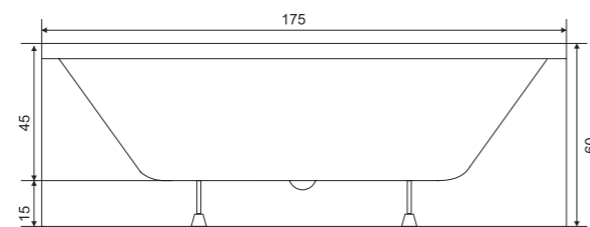
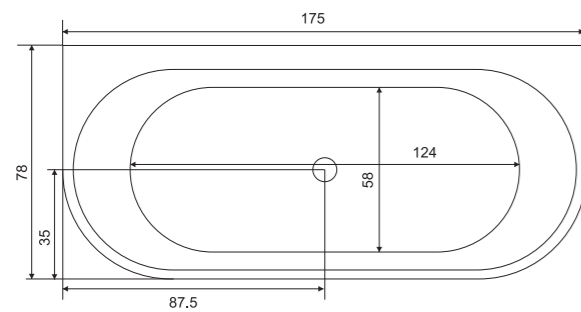


# TEODOR FREE BATHTUB



| Code    | Size / cm |
|---------|-----------|
| BK 0070 | 78 x 175  |

**60**  
HEIGHT
 HYDRO SYSTEM
 ECO FRIENDLY

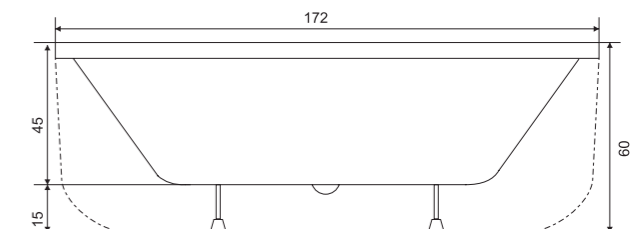
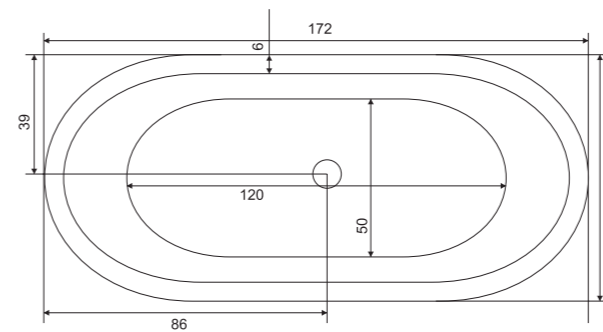


# KING FREE BATHTUB



| Code    | Size / cm |
|---------|-----------|
| BK 0010 | 78 x 172  |

**60**  
HEIGHT
 HYDRO SYSTEM
 ECO FRIENDLY





# SHARP FREE BATHTUB

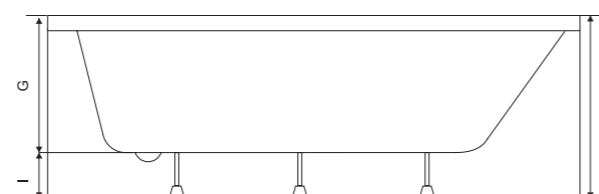
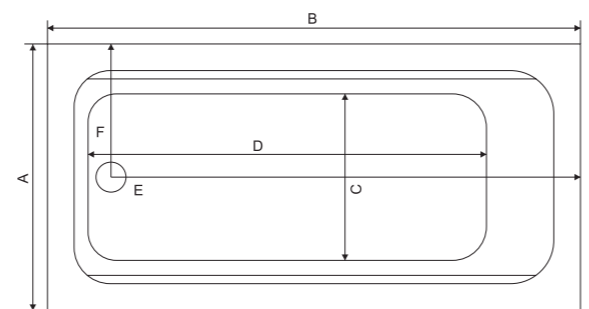


| Code    | Size / cm |
|---------|-----------|
| BK 0117 | 75 x 170  |
| BK 0117 | 75 x 180  |



| Code    | Size / cm | Code    | Size / cm |
|---------|-----------|---------|-----------|
| BK 0127 | 80 x 170  | BK 0137 | 90 x 170  |
| BK 0128 | 80 x 180  | BK 0138 | 90 x 180  |

| SHARP   |          |    |     |    |     |     |    |    |    |    |
|---------|----------|----|-----|----|-----|-----|----|----|----|----|
| CODE    | SIZE     | A  | B   | C  | D   | E   | F  | G  | H  | I  |
| BK 0117 | 75 x 170 | 75 | 170 | 47 | 120 | 140 | 35 | 40 | 58 | 18 |
| BK 0118 | 75 x 180 | 75 | 180 | 47 | 130 | 150 | 35 | 40 | 58 | 18 |
| BK 0127 | 80 x 170 | 80 | 170 | 52 | 120 | 140 | 40 | 40 | 58 | 18 |
| BK 0128 | 80 x 180 | 80 | 180 | 52 | 130 | 150 | 40 | 40 | 58 | 18 |
| BK 0137 | 90 x 170 | 90 | 170 | 62 | 120 | 140 | 45 | 40 | 58 | 18 |
| BK 0138 | 90 x 180 | 90 | 180 | 62 | 130 | 150 | 45 | 40 | 58 | 18 |



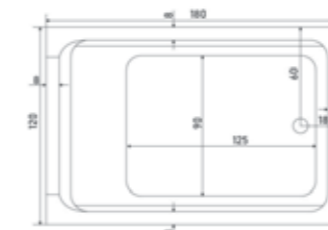
# OLIMPOS SPECIAL BATHTUB



| Code    | Size / cm |
|---------|-----------|
| SW 5668 | 120 x 180 |



| HYDROMASSAGE SYSTEM            | 1.2 HP MOTOR | 8 PCS SIDE HYDRO MASSAGE JET | AUTOMATIC SIPHON | 4 PCS BACK MASSAGE JET | 0.300 BLOWER MOTOR | 10 PCS AIR JET | THERAPY LAMP |
|--------------------------------|--------------|------------------------------|------------------|------------------------|--------------------|----------------|--------------|
| ⊕ HYDROMASSAGE STANDARD SYSTEM | ☑            | ☑                            | ☑                |                        |                    |                |              |
| ⊕ HYDROMASSAGE EXTRA SYSTEM    | ☑            | ☑                            | ☑                | ☑                      |                    |                |              |
| ⊕ HYDROMASSAGE ULTRA SYSTEM    | ☑            | ☑                            | ☑                | ☑                      | ☑                  | ☑              |              |
| ⊕ HYDROMASSAGE FULL SYSTEM     | ☑            | ☑                            | ☑                | ☑                      | ☑                  | ☑              | ☑            |



BATHTUB HANDLE ( CHROME )  
 BATHTUB HANDLE ( GOLD )  
 BATHTUB HEAD PILLOW (ADD-IN )  
 FOOTED HEAD PILLOW ( CHROME )  
 FOOTED HEAD PILLOW ( GOLD )

FAUCET ON THE BATHTUB ( CHROME )  
 FAUCET ON THE BATHTUB ( GOLD )  
 SHOWER FAUCET ON THE BATHTUB ( CHROME )  
 SHOWER FAUCET ON THE BATHTUB ( GOLD )

FOOTED BATHTUB FAUCET ( CHROME )  
 FOOTED BATHTUB FAUCET ( GOLD )  
 JACUZZI WATER LEVEL SENSOR  
 JACUZZI HEAD STABILIZER ( 1.5 KW )

## MARGINAL SPECIAL BATHTUB



| Code                   | Size / cm | Code                   | Ölçü / cm | Size / cm |
|------------------------|-----------|------------------------|-----------|-----------|
| SW 5680-Cascading Flat | 120 x 180 | SW 5681-Cascading Flat | 130 x 180 |           |
| SW 5690-Step Seated    | 120 x 180 | SW 5691-Step Seated    | 130 x 180 |           |

| HYDROMASSAGE SYSTEM            | 1.2 HP MOTOR | 4 PCS SIDE HYDRO MASSAGE JET | AUTOMATIC SIPHON | 4 PCS BACK MASSAGE JET | 0.300 BLOWER MOTOR | 10 PCS AIR JET | THERAPY LAMP |
|--------------------------------|--------------|------------------------------|------------------|------------------------|--------------------|----------------|--------------|
| ⊕ HYDROMASSAGE STANDARD SYSTEM | ☑            | ☑                            | ☑                |                        |                    |                |              |
| ⊕ HYDROMASSAGE EXTRA SYSTEM    | ☑            | ☑                            | ☑                | ☑                      |                    |                |              |
| ⊕ HYDROMASSAGE ULTRA SYSTEM    | ☑            | ☑                            | ☑                | ☑                      | ☑                  | ☑              |              |
| ⊕ HYDROMASSAGE FULL SYSTEM     | ☑            | ☑                            | ☑                | ☑                      | ☑                  | ☑              | ☑            |

SEATED-LEFT



PLAIN-RIGHT



BATHTUB HANDLE ( CHROME )  
BATHTUB HANDLE ( GOLD )  
BATHTUB HEAD PILLOW (ADD-IN )  
FOOTED HEAD PILLOW ( CHROME )  
FOOTED HEAD PILLOW ( GOLD )

FAUCET ON THE BATHTUB ( CHROME )  
FAUCET ON THE BATHTUB ( GOLD )  
SHOWER FAUCET ON THE BATHTUB ( CHROME )  
SHOWER FAUCET ON THE BATHTUB ( GOLD )

FOOTED BATHTUB FAUCET ( CHROME )  
FOOTED BATHTUB FAUCET ( GOLD )  
JACUZZI WATER LEVEL SENSOR  
JACUZZI HEAD STABILIZER ( 1.5 KW )

## GRAND SPECIAL BATH ELIPS OVERFLOW



| Code    | Size / cm |
|---------|-----------|
| SW 5705 | 100 x 200 |

| HYDROMASSAGE SYSTEM            | 1.2 HP MOTOR | 4 PCS SIDE HYDRO MASSAGE JET | AUTOMATIC SIPHON | 4 PCS BACK MASSAGE JET | 0.300 BLOWER MOTOR | 10 PCS AIR JET | THERAPY LAMP |
|--------------------------------|--------------|------------------------------|------------------|------------------------|--------------------|----------------|--------------|
| ⊕ HYDROMASSAGE STANDARD SYSTEM | ☑            | ☑                            | ☑                |                        |                    |                |              |
| ⊕ HYDROMASSAGE EXTRA SYSTEM    | ☑            | ☑                            | ☑                | ☑                      |                    |                |              |
| ⊕ HYDROMASSAGE ULTRA SYSTEM    | ☑            | ☑                            | ☑                | ☑                      | ☑                  | ☑              |              |
| ⊕ HYDROMASSAGE FULL SYSTEM     | ☑            | ☑                            | ☑                | ☑                      | ☑                  | ☑              | ☑            |



BATHTUB HANDLE ( CHROME )  
BATHTUB HANDLE ( GOLD )  
BATHTUB HEAD PILLOW (ADD-IN )  
FOOTED HEAD PILLOW ( CHROME )  
FOOTED HEAD PILLOW ( GOLD )

FAUCET ON THE BATHTUB ( CHROME )  
FAUCET ON THE BATHTUB ( GOLD )  
SHOWER FAUCET ON THE BATHTUB ( CHROME )  
SHOWER FAUCET ON THE BATHTUB ( GOLD )

FOOTED BATHTUB FAUCET ( CHROME )  
FOOTED BATHTUB FAUCET ( GOLD )  
JACUZZI WATER LEVEL SENSOR  
JACUZZI HEAD STABILIZER ( 1.5 KW )

## NEO RECTANGLE SPECIAL BATHTUB



| Code                     | Size / cm | Code                     | Size / cm |
|--------------------------|-----------|--------------------------|-----------|
| SW 5712-FRONT SIDE PANEL | 100 x 200 | SW 5713-FOUR SIDES PANEL | 100 x 200 |

| HYDROMASSAGE S SYSTEM           | 0.900 HP MOTOR | 6 PCS SIDE HYDRO MASSAGE JET | AUTOMATIC SIPHON | 6 PCS BACK MASSAGE JET | 0.300 BLOWER MOTOR | 10 PCS AIR JET | THERAPY LAMP |
|---------------------------------|----------------|------------------------------|------------------|------------------------|--------------------|----------------|--------------|
| ⊕ HYDROMASSAGE S TANDART SYSTEM | ☑              | ☑                            | ☑                |                        |                    |                |              |
| ⊕ HYDROMASSAGE EXTRA SYSTEM     | ☑              | ☑                            | ☑                | ☑                      |                    |                |              |
| ⊕ HYDROMASSAGE ULTRA SYSTEM     | ☑              | ☑                            | ☑                | ☑                      | ☑                  | ☑              |              |
| ⊕ HYDROMASSAGE FULL SYSTEM      | ☑              | ☑                            | ☑                | ☑                      | ☑                  | ☑              | ☑            |



BATHTUB HANDLE ( CROME )  
 BATHTUB HANDLE ( GOLD )  
 BATHTUB HEAD PILLOW (ADD-IN )  
 FOOTED HEAD PILLOW ( CROME )  
 FOOTED HEAD PILLOW ( GOLD )

FAUCET ON THE BATHTUB ( CROME )  
 FAUCET ON THE BATHTUB ( GOLD )  
 SHOWER FAUCET ON THE BATHTUB ( CROME )  
 SHOWER FAUCET ON THE BATHTUB ( GOLD )

FOOTED BATHTUB FAUCET ( CROME )  
 FOOTED BATHTUB FAUCET ( GOLD )  
 JACUZZI WATER LEVEL SENSOR  
 JACUZZI HEADS TABILIZER ( 1.5 KW )

## POLETI SPECIAL BATHTUB



| Code    | Size / cm |
|---------|-----------|
| SW 5259 | 90 x 190  |

| HYDROMASSAGE S SYSTEM           | 0.900 HP MOTOR | 6 PCS SIDE HYDRO MASSAGE JET | AUTOMATIC SIPHON | 6 PCS BACK MASSAGE JET | 0.300 BLOWER MOTOR | 10 PCS AIR JET | THERAPY LAMP |
|---------------------------------|----------------|------------------------------|------------------|------------------------|--------------------|----------------|--------------|
| ⊕ HYDROMASSAGE S TANDART SYSTEM | ☑              | ☑                            | ☑                |                        |                    |                |              |
| ⊕ HYDROMASSAGE EXTRA SYSTEM     | ☑              | ☑                            | ☑                | ☑                      |                    |                |              |
| ⊕ HYDROMASSAGE ULTRA SYSTEM     | ☑              | ☑                            | ☑                | ☑                      | ☑                  | ☑              |              |
| ⊕ HYDROMASSAGE FULL SYSTEM      | ☑              | ☑                            | ☑                | ☑                      | ☑                  | ☑              | ☑            |



BATHTUB HANDLE ( CROME )  
 BATHTUB HANDLE ( GOLD )  
 BATHTUB HEAD PILLOW (ADD-IN )  
 FOOTED HEAD PILLOW ( CROME )  
 FOOTED HEAD PILLOW ( GOLD )

FAUCET ON THE BATHTUB ( CROME )  
 FAUCET ON THE BATHTUB ( GOLD )  
 SHOWER FAUCET ON THE BATHTUB ( CROME )  
 SHOWER FAUCET ON THE BATHTUB ( GOLD )

FOOTED BATHTUB FAUCET ( CROME )  
 FOOTED BATHTUB FAUCET ( GOLD )  
 JACUZZI WATER LEVEL SENSOR  
 JACUZZI HEADS TABILIZER ( 1.5 KW )

# POLETERIA SPECIAL BATHTUB



| Code    | Size / cm |
|---------|-----------|
| SW 5353 | 120 x 230 |

|                     |              |              |              |
|---------------------|--------------|--------------|--------------|
| <b>60</b><br>HEIGHT | HYDRO SYSTEM | ECO FRIENDLY | COLOR OPTION |
|---------------------|--------------|--------------|--------------|

| HYDROMASSAGE S SYSTEM           | 1.2 HP MOTOR | 8 PCS SIDE HYDRO MASSAGE JET | AUTOMATIC SIPHON | 4 PCS BACK MASSAGE JET | 0.300 BLOWER MOTOR | 10 PCS AIR JET | THERAPY LAMP |
|---------------------------------|--------------|------------------------------|------------------|------------------------|--------------------|----------------|--------------|
| ⊕ HYDROMASSAGE S TANDART SYSTEM | ☑            | ☑                            | ☑                |                        |                    |                |              |
| ⊕ HYDROMASSAGE EXTRA SYSTEM     | ☑            | ☑                            | ☑                | ☑                      |                    |                |              |
| ⊕ HYDROMASSAGE ULTRA SYSTEM     | ☑            | ☑                            | ☑                | ☑                      | ☑                  | ☑              |              |
| ⊕ HYDROMASSAGE FULL SYSTEM      | ☑            | ☑                            | ☑                | ☑                      | ☑                  | ☑              | ☑            |



BATHTUB HANDLE ( CROME )  
 BATHTUB HANDLE ( GOLD )  
 BATHTUB HEAD PILLOW (ADD-IN )  
 FOOTED HEAD PILLOW ( CROME )  
 FOOTED HEAD PILLOW ( GOLD )

FAUCET ON THE BATHTUB ( CROME )  
 FAUCET ON THE BATHTUB ( GOLD )  
 SHOWER FAUCET ON THE BATHTUB (CROME)  
 SHOWER FAUCET ON THE BATHTUB (GOLD)

FOOTED BATHTUB FAUCET ( CROME )  
 FOOTED BATHTUB FAUCET ( GOLD )  
 JACUZZI WATER LEVEL SENSOR  
 JACUZZI HEAD STABILIZER ( 1.5 KW )

# BABY SHOWER SPECIAL BABY BATHTUB



| Code    | Size / cm |
|---------|-----------|
| SW 5000 | 50 x 90   |

| Code                    | Size / cm |
|-------------------------|-----------|
| SW 5001 (Ireko Sehpałi) | 60 x 96   |

|                          |              |              |
|--------------------------|--------------|--------------|
| <b>30 - 96</b><br>HEIGHT | ECO FRIENDLY | COLOR OPTION |
|--------------------------|--------------|--------------|

Color Options are Blue, Pink and White.



## LIONESS SPECIAL CLAWFOOT BATHTUB



| Code    | Size / cm | Product Type                               | Code    | Size / cm | Product Type                              |
|---------|-----------|--|---------|-----------|---|
| SW 5060 | 72 x 175  | Bathtub-Crome                              | SW 5065 | 72 x 175  | Bathtub-Gold                              |
|         |           | Bathtub-Crome (Colored Panel)              |         |           | Bathtub-Gold (Colored Panel)              |
|         |           | Bathtub-Crome (Colored Panel-Colored Body) |         |           | Bathtub-Gold (Colored Panel-Colored Body) |



There is no jacuzzi application for Monoblock Bathtubs.

## LEOPARD SPECIAL CLAWFOOT BATHTUB



| Code    | Size / cm | Product Type                               | Code    | Size / cm | Product Type                              |
|---------|-----------|--|---------|-----------|---|
| SW 5070 | 90x75x180 | Bathtub-Crome                              | SW 5065 | 90x75x180 | Bathtub-Gold                              |
|         |           | Bathtub-Crome (Colored Panel)              |         |           | Bathtub-Gold (Colored Panel)              |
|         |           | Bathtub-Crome (Colored Panel-Colored Body) |         |           | Bathtub-Gold (Colored Panel-Colored Body) |



There is no jacuzzi application for Monoblock Bathtubs.

# OPTIMUM SPA BATHTUB



| Code    | Size / cm | Product Type                            | Code      | Size / cm | Product Type                          |
|---------|-----------|---|-----------|-----------|---------------------------------------|
| SW 5420 | 180 x 220 | Custom Flat Bathtub-Front Side Panel    | SW 5420-4 | 180 x 220 | Custom Flat Tub-4 Side Panel          |
| SW 5440 | 180 x 220 | Seated Private Bathtub-Front Side Panel | SW 5440-4 | 180 x 220 | Seated Private Bathtub-4 Side Paneled |
| SW 5460 | 180 x 220 | Corner Seated Bathtub-Front Side Panel  | SW 5460-4 | 180 x 220 | Corner Seated Tub-4 Side Paneled      |
| SW 5480 | 180 x 220 | Half Seated Bathtub-Front Side Panel    | SW 5480-4 | 180 x 220 | Half Seated Bathtub-4 Side Paneled    |

| Code                 | Size / cm | Product Type    | Code             | Size / cm | Product Type          |
|----------------------|-----------|-----------------|------------------|-----------|-----------------------|
| SW 5420 WITHOUT PANE | 180 x 220 | Custom Flat Tub | SW 5460 WT. PANE | 180 x 220 | Corner Seated Bathtub |
| SW 5440 WITHOUT PANE | 180 x 220 | Seated Flat Tub | SW 5480 WT. PANE | 180 x 220 | Half Seated Bathtub   |

| ADUS PLATFORM APPLICATION |     |     |     |     |
|---------------------------|-----|-----|-----|-----|
| Size / cm                 | 1 > | 2 > | 3 > | 4 > |
| 190 x 230                 |     |     |     |     |

The size of the digit in the images is 60 x60 x80 cm

# OPTIMUM SPA BATHTUB



| HYDROMASSAGE SYSTEM            | 2HP MOTOR | 10 PCS SIDE HYDRO MASSAGE JET | AUTOMATIC SIPHON | 8 PCS BACK MASSAGE JET | 0.700 BLOWER MOTORU | 10 PCS AIR JET | THERAPY LAMP |
|--------------------------------|-----------|-------------------------------|------------------|------------------------|---------------------|----------------|--------------|
| ⊕ HYDROMASSAGE STANDARD SYSTEM | ☑         | ☑                             | ☑                |                        |                     |                |              |
| ⊕ HYDROMASSAGE EXTRA SYSTEM    | ☑         | ☑                             | ☑                | ☑                      |                     |                |              |
| ⊕ HYDROMASSAGE ULTRA SYSTEM    | ☑         | ☑                             | ☑                | ☑                      | ☑                   | ☑              |              |
| ⊕ HYDROMASSAGE FULL SYSTEM     | ☑         | ☑                             | ☑                | ☑                      | ☑                   | ☑              | ☑            |



BATHTUB HANDLE ( CHROME )  
 BATHTUB HANDLE ( GOLD )  
 BATHTUB HEAD PILLOW (ADD-IN )  
 FOOTED HEAD PILLOW ( CHROME )  
 FOOTED HEAD PILLOW ( GOLD )

FAUCET ON THE BATHTUB ( CHROME )  
 FAUCET ON THE BATHTUB ( GOLD )  
 SHOWER FAUCET ON THE BATHTUB (CHROME)  
 SHOWER FAUCET ON THE BATHTUB (GOLD)

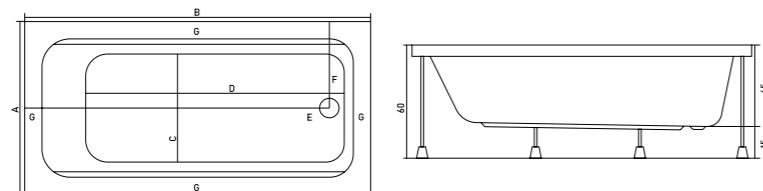
FOOTED BATHTUB FAUCET ( CHROME )  
 FOOTED BATHTUB FAUCET ( GOLD )  
 JACUZZI WATER LEVEL SENSOR  
 JACUZZI HEAD STABILIZER ( 1.5 KW )

# ALFA RECTANGULAR TUB



| Code    | Size / cm | Code    | Size / cm |
|---------|-----------|---------|-----------|
| SW 5805 | 110 x 150 | SW 5807 | 110 x 170 |
| SW 5806 | 110 x 160 | SW 5808 | 110 x 180 |

| HYDROMASSAGE SYSTEM             | 0.900 HP MOTOR                      | 6 PCS SIDE HYDRO MASSAGE JET        | AUTOMATIC SIPHON                    | 4 PCS BACK MASSAGE JET              | 0.300 BLOWER MOTOR                  | 10 PCS AIR JET                      | THERAPY LAMP                        |
|---------------------------------|-------------------------------------|-------------------------------------|-------------------------------------|-------------------------------------|-------------------------------------|-------------------------------------|-------------------------------------|
| ⊕ HYDROMASSAGE S TANDART SYSTEM | <input checked="" type="checkbox"/> | <input checked="" type="checkbox"/> | <input checked="" type="checkbox"/> |                                     |                                     |                                     |                                     |
| ⊕ HYDROMASSAGE EXTRA SYSTEM     | <input checked="" type="checkbox"/> | <input checked="" type="checkbox"/> | <input checked="" type="checkbox"/> | <input checked="" type="checkbox"/> |                                     |                                     |                                     |
| ⊕ HYDROMASSAGE ULTRA SYSTEM     | <input checked="" type="checkbox"/> | <input checked="" type="checkbox"/> | <input checked="" type="checkbox"/> | <input checked="" type="checkbox"/> | <input checked="" type="checkbox"/> | <input checked="" type="checkbox"/> |                                     |
| ⊕ HYDROMASSAGE FULL SYSTEM      | <input checked="" type="checkbox"/> | <input checked="" type="checkbox"/> | <input checked="" type="checkbox"/> | <input checked="" type="checkbox"/> | <input checked="" type="checkbox"/> | <input checked="" type="checkbox"/> | <input checked="" type="checkbox"/> |



BATHTUB HANDLE ( CROME )  
 BATHTUB HANDLE ( GOLD )  
 BATHTUB HEAD PILLOW (ADD-IN )  
 FOOTED HEAD PILLOW ( CROME )  
 FOOTED HEAD PILLOW ( GOLD )

FAUCET ON THE BATHTUB ( CROME )  
 FAUCET ON THE BATHTUB ( GOLD )  
 SHOWER FAUCET ON THE BATHTUB (CROME)  
 SHOWER FAUCET ON THE BATHTUB (GOLD)

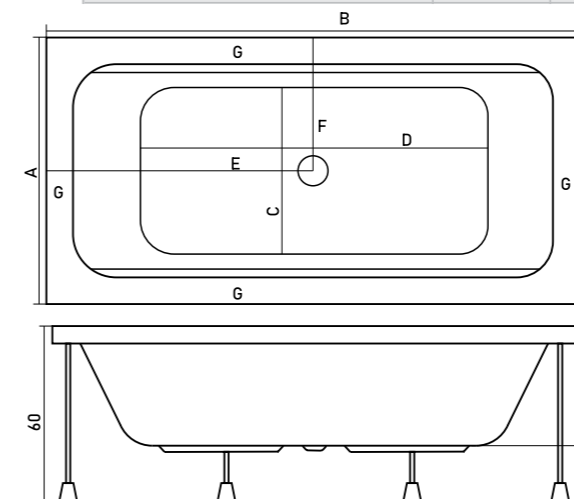
FOOTED BATHTUB FAUCET ( CROME )  
 FOOTED BATHTUB FAUCET ( GOLD )  
 JACUZZI WATER LEVEL SENSOR  
 JACUZZI HEAD STABILIZER ( 1.5 KW )

# NIL RECTANGULAR TUB



| Code    | Size / cm | Code    | Size / cm |
|---------|-----------|---------|-----------|
| SW 5849 | 110 x 190 | SW 5850 | 110 x 200 |

| HYDROMASSAGE SYSTEM             | 0.900 HP MOTOR                      | 6 PCS SIDE HYDRO MASSAGE JET        | AUTOMATIC SIPHON                    | 4 PCS BACK MASSAGE JET              | 0.300 BLOWER MOTOR                  | 10 PCS AIR JET                      | THERAPY LAMP                        |
|---------------------------------|-------------------------------------|-------------------------------------|-------------------------------------|-------------------------------------|-------------------------------------|-------------------------------------|-------------------------------------|
| ⊕ HYDROMASSAGE S TANDART SYSTEM | <input checked="" type="checkbox"/> | <input checked="" type="checkbox"/> | <input checked="" type="checkbox"/> |                                     |                                     |                                     |                                     |
| ⊕ HYDROMASSAGE EXTRA SYSTEM     | <input checked="" type="checkbox"/> | <input checked="" type="checkbox"/> | <input checked="" type="checkbox"/> | <input checked="" type="checkbox"/> |                                     |                                     |                                     |
| ⊕ HYDROMASSAGE ULTRA SYSTEM     | <input checked="" type="checkbox"/> | <input checked="" type="checkbox"/> | <input checked="" type="checkbox"/> | <input checked="" type="checkbox"/> | <input checked="" type="checkbox"/> | <input checked="" type="checkbox"/> |                                     |
| ⊕ HYDROMASSAGE FULL SYSTEM      | <input checked="" type="checkbox"/> | <input checked="" type="checkbox"/> | <input checked="" type="checkbox"/> | <input checked="" type="checkbox"/> | <input checked="" type="checkbox"/> | <input checked="" type="checkbox"/> | <input checked="" type="checkbox"/> |



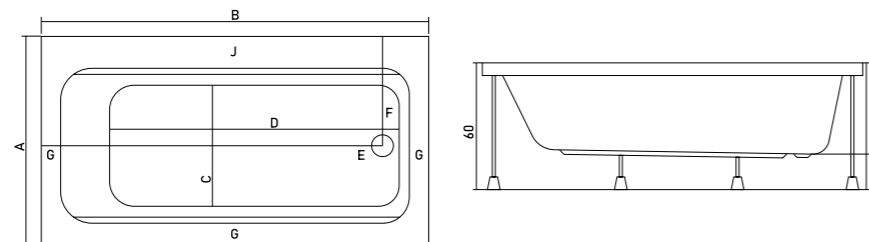
| NIL     |           |     |     |    |     |     |    |   |
|---------|-----------|-----|-----|----|-----|-----|----|---|
| CODE    | SIZE      | A   | B   | C  | D   | E   | F  | G |
| SW 5849 | 110 x 190 | 110 | 190 | 82 | 140 | 95  | 55 | 8 |
| SW 5850 | 110 x 200 | 110 | 200 | 82 | 150 | 100 | 55 | 8 |

# LEO RECTANGULAR TUB



| Code    | Size / cm | Code    | Size / cm |
|---------|-----------|---------|-----------|
| SW 5865 | 120 x 150 | SW 5867 | 120 x 170 |
| SW 5866 | 120 x 160 | SW 5868 | 120 x 180 |

| HYDROMASSAGE SYSTEM            | 0.900 HP MOTOR                      | 6 PCS SIDE HYDRO MASSAGE JET        | AUTOMATIC SIPHON                    | 4 PCS BACK MASSAGE JET              | 0.300 BLOWER MOTOR                  | 10 PCS AIR JET                      | THERAPY LAMP                        |
|--------------------------------|-------------------------------------|-------------------------------------|-------------------------------------|-------------------------------------|-------------------------------------|-------------------------------------|-------------------------------------|
| ⊕ HYDROMASSAGE STANDARD SYSTEM | <input checked="" type="checkbox"/> | <input checked="" type="checkbox"/> | <input checked="" type="checkbox"/> | <input checked="" type="checkbox"/> |                                     |                                     |                                     |
| ⊕ HYDROMASSAGE EXTRA SYSTEM    | <input checked="" type="checkbox"/> | <input checked="" type="checkbox"/> | <input checked="" type="checkbox"/> | <input checked="" type="checkbox"/> |                                     |                                     |                                     |
| ⊕ HYDROMASSAGE ULTRA SYSTEM    | <input checked="" type="checkbox"/> | <input checked="" type="checkbox"/> | <input checked="" type="checkbox"/> | <input checked="" type="checkbox"/> | <input checked="" type="checkbox"/> | <input checked="" type="checkbox"/> |                                     |
| ⊕ HYDROMASSAGE FULL SYSTEM     | <input checked="" type="checkbox"/> | <input checked="" type="checkbox"/> | <input checked="" type="checkbox"/> | <input checked="" type="checkbox"/> | <input checked="" type="checkbox"/> | <input checked="" type="checkbox"/> | <input checked="" type="checkbox"/> |



BATHTUB HANDLE ( CROME )  
 BATHTUB HANDLE ( GOLD )  
 BATHTUB HEAD PILLOW (ADD-IN )  
 FOOTED HEAD PILLOW ( CROME )  
 FOOTED HEAD PILLOW ( GOLD )

FAUCET ON THE BATHTUB ( CROME )  
 FAUCET ON THE BATHTUB ( GOLD )  
 SHOWER FAUCET ON THE BATHTUB (CROME)  
 SHOWER FAUCET ON THE BATHTUB (GOLD)

FOOTED BATHTUB FAUCET ( CROME )  
 FOOTED BATHTUB FAUCET ( GOLD )  
 JACUZZI WATER LEVEL SENSOR  
 JACUZZI HEAD STABILIZER ( 1.5 KW )





## DRAGON SPECIAL BATHTUB



| Code    | Size / cm | Product Type    | Code    | Size / cm | Product Type           |
|---------|-----------|-----------------|---------|-----------|------------------------|
| SW 5160 | 120 x 190 | Special Bathtub | SW 5170 | 140 x 190 | Seated Private Bathtub |
| SW 5161 | 120 x 190 | Seated Special  | SW 5199 | 150 x 190 | Custom Flat Tb         |
| SW 5169 | 140 x 190 | Custom Flat Tub | SW 5200 | 150 x 190 | Seated Private Bathtub |

| HYDROMASSAGE SYSTEM             | 1.2 HP MOTOR                        | 8 PCS SIDE HYDRO MASSAGE JET        | AUTOMATIC SIPHON                    | 4 PCS BACK MASSAGE JET              | 0.300 BLOWER MOTOR                  | 10 PCS AIR JET                      | THERAPY LAMP                        |
|---------------------------------|-------------------------------------|-------------------------------------|-------------------------------------|-------------------------------------|-------------------------------------|-------------------------------------|-------------------------------------|
| ⊕ HYDROMASSAGE S TANDART SYSTEM | <input checked="" type="checkbox"/> | <input checked="" type="checkbox"/> | <input checked="" type="checkbox"/> | <input checked="" type="checkbox"/> |                                     |                                     |                                     |
| ⊕ HYDROMASSAGE EXTRA SYSTEM     | <input checked="" type="checkbox"/> | <input checked="" type="checkbox"/> | <input checked="" type="checkbox"/> | <input checked="" type="checkbox"/> |                                     |                                     |                                     |
| ⊕ HYDROMASSAGE ULTRA SYSTEM     | <input checked="" type="checkbox"/> | <input checked="" type="checkbox"/> | <input checked="" type="checkbox"/> | <input checked="" type="checkbox"/> | <input checked="" type="checkbox"/> | <input checked="" type="checkbox"/> |                                     |
| ⊕ HYDROMASSAGE FULL SYSTEM      | <input checked="" type="checkbox"/> | <input checked="" type="checkbox"/> | <input checked="" type="checkbox"/> | <input checked="" type="checkbox"/> | <input checked="" type="checkbox"/> | <input checked="" type="checkbox"/> | <input checked="" type="checkbox"/> |

BATHTUB HANDLE ( CROME )  
 BATHTUB HANDLE ( GOLD )  
 BATHTUB HEAD PILLOW (ADD-IN )  
 FOOTED HEAD PILLOW ( CROME )  
 FOOTED HEAD PILLOW( GOLD )

FAUCET ON THE BATHTUB ( CROME )  
 FAUCET ON THE BATHTUB ( GOLD )  
 SHOWER FAUCET ON THE BATHTUB (CROME)  
 SHOWER FAUCET ON THE BATHTUB (GOLD)

FOOTED BATHTUB FAUCET ( CROME )  
 FOOTED BATHTUB FAUCET ( GOLD )  
 JACUZZI WATER LEVEL SENSOR  
 JACUZZI HEADS TABILIZER ( 1.5 KW )

## DRAGON PLUS SPECIAL BATHTUB



| Without Panel Code | Size / cm | Product Type              | Without Panel Code | Size / cm | Product Type              |
|--------------------|-----------|---------------------------|--------------------|-----------|---------------------------|
| SW 5160            | 120 x 190 | Plus Special Flat Bathtub | SW 5761            | 120 x 190 | Plus Special Flat Bathtub |
| SW 5169            | 140 x 190 | Plus Special Flat Bathtub | SW 5170            | 140 x 190 | Plus Special Flat Bathtub |
| SW 5199            | 150 x 190 | Plus Special Flat Bathtub | SW 5199            | 150 x 190 | Plus Special Flat Bathtub |

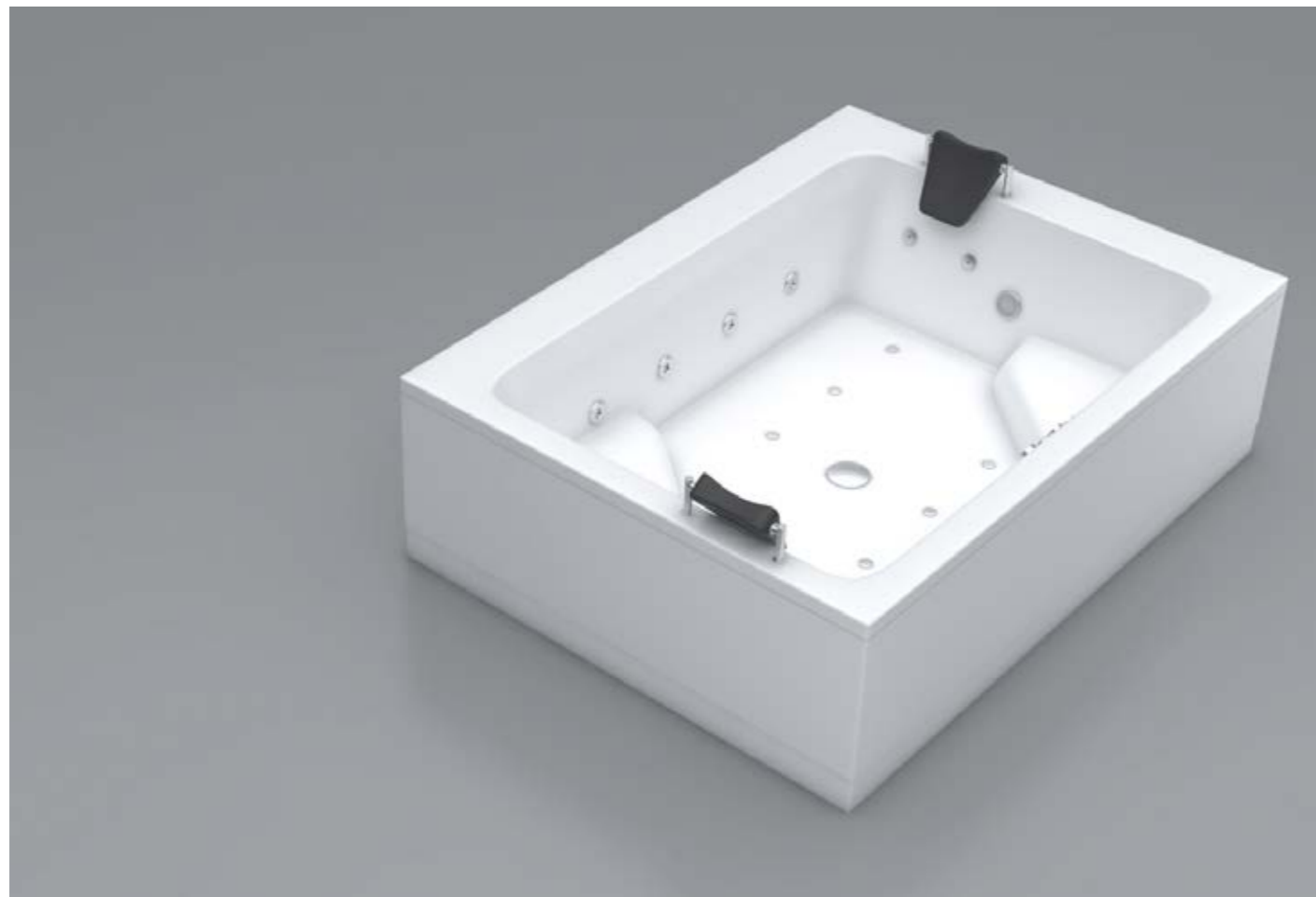
| WOODEN PANEL APPLICATIONS |               |        |        |        |        |
|---------------------------|---------------|--------|--------|--------|--------|
| Product Code              | Platform Size | AP-1 > | AP-2 > | AP-3 > | AP-4 > |
|                           |               |        |        |        |        |
| SW 5722-5723              | 130 x 190     |        |        |        |        |
| SW 5726-5727              | 150 x 190     |        |        |        |        |
| SW 5728-5729              | 160 x 190     |        |        |        |        |

BATHTUB HANDLE ( CROME )  
 BATHTUB HANDLE ( GOLD )  
 BATHTUB HEAD PILLOW (ADD-IN )  
 FOOTED HEAD PILLOW ( CROME )  
 FOOTED HEAD PILLOW( GOLD )

FAUCET ON THE BATHTUB ( CROME )  
 FAUCET ON THE BATHTUB ( GOLD )  
 SHOWER FAUCET ON THE BATHTUB (CROME)  
 SHOWER FAUCET ON THE BATHTUB (GOLD)

FOOTED BATHTUB FAUCET ( CROME )  
 FOOTED BATHTUB FAUCET ( GOLD )  
 JACUZZI WATER LEVEL SENSOR  
 JACUZZI HEADS TABILIZER ( 1.5 KW )

# ARES SPECIAL BATHTUB



| Code    | Size / cm | Product Type    |
|---------|-----------|-----------------|
| SW 5722 | 130 x 190 | Special Bathtub |
| SW 5723 | 130 x 190 | Seated Special  |
| SW 5726 | 150 x 190 | Custom Flat Tub |

| Code    | Size / cm | Product Type           |
|---------|-----------|------------------------|
| SW 5727 | 150 x 190 | Seated Private Bathtub |
| SW 5728 | 160 x 190 | Custom Flat Tub        |
| SW 5729 | 160 x 190 | Seated Private Bathtub |

| HYDROMASSAGE SYSTEM           | 1.2 HP MOTOR                        | 8 PCS SIDE HYDRO MASSAGE JET        | AUTOMATIC SIPHON                    | 4 PCS BACK MASSAGE JET              | 0.300 BLOWER MOTOR                  | 10 PCS AIR JET                      | THERAPY LAMP                        |
|-------------------------------|-------------------------------------|-------------------------------------|-------------------------------------|-------------------------------------|-------------------------------------|-------------------------------------|-------------------------------------|
| ⊕ HYDROMASSAGE TANDART SYSTEM | <input checked="" type="checkbox"/> | <input checked="" type="checkbox"/> | <input checked="" type="checkbox"/> | <input checked="" type="checkbox"/> |                                     |                                     |                                     |
| ⊕ HYDROMASSAGE EXTRA SYSTEM   | <input checked="" type="checkbox"/> | <input checked="" type="checkbox"/> | <input checked="" type="checkbox"/> | <input checked="" type="checkbox"/> |                                     |                                     |                                     |
| ⊕ HYDROMASSAGE ULTRA SYSTEM   | <input checked="" type="checkbox"/> | <input checked="" type="checkbox"/> | <input checked="" type="checkbox"/> | <input checked="" type="checkbox"/> | <input checked="" type="checkbox"/> | <input checked="" type="checkbox"/> |                                     |
| ⊕ HYDROMASSAGE FULL SYSTEM    | <input checked="" type="checkbox"/> | <input checked="" type="checkbox"/> | <input checked="" type="checkbox"/> | <input checked="" type="checkbox"/> | <input checked="" type="checkbox"/> | <input checked="" type="checkbox"/> | <input checked="" type="checkbox"/> |

BATHTUB HANDLE ( CROME )  
 BATHTUB HANDLE ( GOLD )  
 BATHTUB HEAD PILLOW (ADD-IN )  
 FOOTED HEAD PILLOW ( CROME )  
 FOOTED HEAD PILLOW ( GOLD )

FAUCET ON THE BATHTUB ( CROME )  
 FAUCET ON THE BATHTUB ( GOLD )  
 SHOWER FAUCET ON THE BATHTUB (CROME)  
 SHOWER FAUCET ON THE BATHTUB (GOLD)

FOOTED BATHTUB FAUCET ( CROME )  
 FOOTED BATHTUB FAUCET ( GOLD )  
 JACUZZI WATER LEVEL SENSOR  
 JACUZZI HEAD STABILIZER ( 1.5 KW )

# ARES PLUS SPECIAL BATHTUB



| WithoutPanel Code | Size / cm | Product Type              | WithoutPanel Code | Size / cm | Product Type              |
|-------------------|-----------|---------------------------|-------------------|-----------|---------------------------|
| SW 5722           | 130 x 190 | Plus Special Flat Bathtub | SW 5723           | 130 x 190 | Plus Special Flat Bathtub |
| SW 5726           | 150 x 190 | Plus Special Flat Bathtub | SW 5727           | 150 x 190 | Plus Special Flat Bathtub |
| SW 5728           | 160 x 190 | Plus Special Flat Bathtub | SW 5729           | 160 x 190 | Plus Special Flat Bathtub |

| WOODEN PANEL APPLICATIONS |               |        |        |        |        |
|---------------------------|---------------|--------|--------|--------|--------|
| Product Code              | Platform Size | AP-1 > | AP-2 > | AP-3 > | AP-4 > |
|                           |               |        |        |        |        |
| SW 5722-5723              | 140 x 190     |        |        |        |        |
| SW 5726-5727              | 160 x 190     |        |        |        |        |
| SW 5728-5729              | 170 x 190     |        |        |        |        |

BATHTUB HANDLE ( CROME )  
 BATHTUB HANDLE ( GOLD )  
 BATHTUB HEAD PILLOW (ADD-IN )  
 FOOTED HEAD PILLOW ( CROME )  
 FOOTED HEAD PILLOW ( GOLD )

FAUCET ON THE BATHTUB ( CROME )  
 FAUCET ON THE BATHTUB ( GOLD )  
 SHOWER FAUCET ON THE BATHTUB (CROME)  
 SHOWER FAUCET ON THE BATHTUB (GOLD)

FOOTED BATHTUB FAUCET ( CROME )  
 FOOTED BATHTUB FAUCET ( GOLD )  
 JACUZZI WATER LEVEL SENSOR  
 JACUZZI HEAD STABILIZER ( 1.5 KW )

## ZEUS SPECIAL BATHTUB



| Code    | Size / cm | Product Type    |
|---------|-----------|-----------------|
| SW 5162 | 120 x 190 | Special Bathtub |
| SW 5163 | 120 x 190 | Seated Special  |
| SW 5171 | 140 x 190 | Custom Flat Tub |

| Code    | Size / cm | Product Type           |
|---------|-----------|------------------------|
| SW 5172 | 140 x 190 | Seated Private Bathtub |
| SW 5201 | 150 x 190 | Custom Flat Tub        |
| SW 5202 | 150 x 190 | Seated Private Bathtub |

| HYDROMASSAGE SYSTEM           | 1.2 HP MOTOR                        | 8 PCS SIDE HYDRO MASSAGE JET        | AUTOMATIC SIPHON                    | 4 PCS BACK MASSAGE JET              | 0.300 BLOWER MOTOR                  | 10 PCS AIR JET                      | THERAPY LAMP                        |
|-------------------------------|-------------------------------------|-------------------------------------|-------------------------------------|-------------------------------------|-------------------------------------|-------------------------------------|-------------------------------------|
| ⊕ HYDROMASSAGE TANDART SYSTEM | <input checked="" type="checkbox"/> | <input checked="" type="checkbox"/> | <input checked="" type="checkbox"/> | <input checked="" type="checkbox"/> |                                     |                                     |                                     |
| ⊕ HYDROMASSAGE EXTRA SYSTEM   | <input checked="" type="checkbox"/> | <input checked="" type="checkbox"/> | <input checked="" type="checkbox"/> | <input checked="" type="checkbox"/> |                                     |                                     |                                     |
| ⊕ HYDROMASSAGE ULTRA SYSTEM   | <input checked="" type="checkbox"/> | <input checked="" type="checkbox"/> | <input checked="" type="checkbox"/> | <input checked="" type="checkbox"/> | <input checked="" type="checkbox"/> | <input checked="" type="checkbox"/> |                                     |
| ⊕ HYDROMASSAGE FULL SYSTEM    | <input checked="" type="checkbox"/> | <input checked="" type="checkbox"/> | <input checked="" type="checkbox"/> | <input checked="" type="checkbox"/> | <input checked="" type="checkbox"/> | <input checked="" type="checkbox"/> | <input checked="" type="checkbox"/> |

BATHTUB HANDLE ( CROME )  
 BATHTUB HANDLE ( GOLD )  
 BATHTUB HEAD PILLOW (ADD-IN )  
 FOOTED HEAD PILLOW ( CROME )  
 FOOTED HEAD PILLOW ( GOLD )

FAUCET ON THE BATHTUB ( CROME )  
 FAUCET ON THE BATHTUB ( GOLD )  
 SHOWER FAUCET ON THE BATHTUB (CROME)  
 SHOWER FAUCET ON THE BATHTUB (GOLD)

FOOTED BATHTUB FAUCET ( CROME )  
 FOOTED BATHTUB FAUCET ( GOLD )  
 JACUZZI WATER LEVEL SENSOR  
 JACUZZI HEAD STABILIZER ( 1.5 KW )

## ZEUS PLUS SPECIAL BATHTUB



| Without Panel Code | Size / cm | Product Type              | Without Panel Code | Size / cm | Product Type              |
|--------------------|-----------|---------------------------|--------------------|-----------|---------------------------|
| SW 5162            | 120 x 190 | Plus Special Flat Bathtub | SW 5163            | 120 x 190 | Plus Special Flat Bathtub |
| SW 5171            | 140 x 190 | Plus Special Flat Bathtub | SW 5172            | 140 x 190 | Plus Special Flat Bathtub |
| SW 5201            | 150 x 190 | Plus Special Flat Bathtub | SW 5202            | 150 x 190 | Plus Special Flat Bathtub |

| WOODEN PANEL APPLICATIONS |               |        |        |        |        |
|---------------------------|---------------|--------|--------|--------|--------|
| Product Code              | Platform Size | AP-1 > | AP-2 > | AP-3 > | AP-4 > |
|                           |               |        |        |        |        |
| SW 5162-5163              | 130 x 190     |        |        |        |        |
| SW 5171-5172              | 150 x 190     |        |        |        |        |
| SW 5201-5202              | 160 x 190     |        |        |        |        |

BATHTUB HANDLE ( CROME )  
 BATHTUB HANDLE ( GOLD )  
 BATHTUB HEAD PILLOW (ADD-IN )  
 FOOTED HEAD PILLOW ( CROME )  
 FOOTED HEAD PILLOW ( GOLD )

FAUCET ON THE BATHTUB ( CROME )  
 FAUCET ON THE BATHTUB ( GOLD )  
 SHOWER FAUCET ON THE BATHTUB (CROME)  
 SHOWER FAUCET ON THE BATHTUB (GOLD)

FOOTED BATHTUB FAUCET ( CROME )  
 FOOTED BATHTUB FAUCET ( GOLD )  
 JACUZZI WATER LEVEL SENSOR  
 JACUZZI HEAD STABILIZER ( 1.5 KW )

# SEA GIRL SPECIAL BATHTUB



|                     |              |              |              |
|---------------------|--------------|--------------|--------------|
| <b>55</b><br>HEIGHT | HYDRO SYSTEM | ECO FRIENDLY | COLOR OPTION |
|---------------------|--------------|--------------|--------------|

| Code    | Size / cm |
|---------|-----------|
| SW 5328 | 120 x 180 |

| HYDROMASSAGE SYSTEM             | 0.900 HP MOTOR                      | 6 PCS SIDE HYDRO MASSAGE JET        | AUTOMATIC SIPHON                    | 4 PCS BACK MASSAGE JET              | 0.300 BLOWER MOTOR                  | 10 PCS AIR JET                      | THERAPY LAMP                        |
|---------------------------------|-------------------------------------|-------------------------------------|-------------------------------------|-------------------------------------|-------------------------------------|-------------------------------------|-------------------------------------|
| ⊕ HYDROMASSAGE S TANDARD SYSTEM | <input checked="" type="checkbox"/> | <input checked="" type="checkbox"/> | <input checked="" type="checkbox"/> |                                     |                                     |                                     |                                     |
| ⊕ HYDROMASSAGE EXTRA SYSTEM     | <input checked="" type="checkbox"/> | <input checked="" type="checkbox"/> | <input checked="" type="checkbox"/> | <input checked="" type="checkbox"/> |                                     |                                     |                                     |
| ⊕ HYDROMASSAGE ULTRA SYSTEM     | <input checked="" type="checkbox"/> | <input checked="" type="checkbox"/> | <input checked="" type="checkbox"/> | <input checked="" type="checkbox"/> | <input checked="" type="checkbox"/> | <input checked="" type="checkbox"/> |                                     |
| ⊕ HYDROMASSAGE FULL SYSTEM      | <input checked="" type="checkbox"/> | <input checked="" type="checkbox"/> | <input checked="" type="checkbox"/> | <input checked="" type="checkbox"/> | <input checked="" type="checkbox"/> | <input checked="" type="checkbox"/> | <input checked="" type="checkbox"/> |



BATHTUB HANDLE ( CROME )  
 BATHTUB HANDLE ( GOLD )  
 BATHTUB HEAD PILLOW (ADD-IN )  
 FOOTED HEAD PILLOW ( CROME )  
 FOOTED HEAD PILLOW( GOLD )

FAUCET ON THE BATHTUB ( CROME )  
 FAUCET ON THE BATHTUB ( GOLD )  
 SHOWER FAUCET ON THE BATHTUB (CROME)  
 SHOWER FAUCET ON THE BATHTUB (GOLD)

FOOTED BATHTUB FAUCET ( CROME )  
 FOOTED BATHTUB FAUCET ( GOLD )  
 JACUZZI WATER LEVEL SENSOR  
 JACUZZI HEAD STABILIZER ( 1.5 KW )

# SEA GIRL PLUS SPECIAL BATHTUB



|                     |              |              |              |
|---------------------|--------------|--------------|--------------|
| <b>60</b><br>HEIGHT | HYDRO SYSTEM | ECO FRIENDLY | COLOR OPTION |
|---------------------|--------------|--------------|--------------|

| Without Panel Code | Size / cm |
|--------------------|-----------|
| SW 5328            | 120 x 180 |

| WOODEN PANEL APPLICATIONS |     |     |     |     |
|---------------------------|-----|-----|-----|-----|
| Platform Size<br>∨        | 1 > | 2 > | 3 > | 4 > |
| 130 x 190                 |     |     |     |     |

BATHTUB HANDLE ( CROME )  
 BATHTUB HANDLE ( GOLD )  
 BATHTUB HEAD PILLOW (ADD-IN )  
 FOOTED HEAD PILLOW ( CROME )  
 FOOTED HEAD PILLOW( GOLD )

FAUCET ON THE BATHTUB ( CROME )  
 FAUCET ON THE BATHTUB ( GOLD )  
 SHOWER FAUCET ON THE BATHTUB (CROME)  
 SHOWER FAUCET ON THE BATHTUB (GOLD)

FOOTED BATHTUB FAUCET ( CROME )  
 FOOTED BATHTUB FAUCET ( GOLD )  
 JACUZZI WATER LEVEL SENSOR  
 JACUZZI HEAD STABILIZER ( 1.5 KW )

# ANKA SPECIAL BATHTUB



| Code           | Size / cm | Code           | Size / cm | Code           | Size / cm |
|----------------|-----------|----------------|-----------|----------------|-----------|
| SW 5095-Flat   | 150 x 150 | SW 5093-Flat   | 165 x 165 | SW 5097-Flat   | 180 x 180 |
| SW 5096-Seated | 150 x 150 | SW 5094-Seated | 165 x 165 | SW 5098-Seated | 180 x 180 |

| HYDROMASSAGE SYSTEM            | 1.2 HP MOTOR | 8 PCS SIDE HYDRO MASSAGE JET | AUTOMATIC SIPHON | 4 PCS BACK MASSAGE JET | 0.300 BLOWER MOTOR | 10 PCS AIR JET | THERAPY LAMP |
|--------------------------------|--------------|------------------------------|------------------|------------------------|--------------------|----------------|--------------|
| ⊕ HYDROMASSAGE STANDARD SYSTEM | ☑            | ☑                            | ☑                |                        |                    |                |              |
| ⊕ HYDROMASSAGE EXTRA SYSTEM    | ☑            | ☑                            | ☑                | ☑                      |                    |                |              |
| ⊕ HYDROMASSAGE ULTRA SYSTEM    | ☑            | ☑                            | ☑                | ☑                      | ☑                  | ☑              |              |
| ⊕ HYDROMASSAGE FULL SYSTEM     | ☑            | ☑                            | ☑                | ☑                      | ☑                  | ☑              | ☑            |



BATHTUB HANDLE ( CHROME )  
 BATHTUB HANDLE ( GOLD )  
 BATHTUB HEAD PILLOW (ADD-IN )  
 FOOTED HEAD PILLOW ( CHROME )  
 FOOTED HEAD PILLOW ( GOLD )

FAUCET ON THE BATHTUB ( CHROME )  
 FAUCET ON THE BATHTUB ( GOLD )  
 SHOWER FAUCET ON THE BATHTUB (CHROME)  
 SHOWER FAUCET ON THE BATHTUB (GOLD)

FOOTED BATHTUB FAUCET ( CHROME )  
 FOOTED BATHTUB FAUCET ( GOLD )  
 JACUZZI WATER LEVEL SENSOR  
 JACUZZI HEAD STABILIZER ( 1.5 KW )

# ANKA PLUS SPECIAL PANELS FOR PLATFORM APPLICATIONS



| Code Without Panel | Size / cm | Product Type         | Code Without Panel | Size / cm | Product Type         |
|--------------------|-----------|----------------------|--------------------|-----------|----------------------|
| SW 5095            | 150 x 150 | Plus Special Bathtub | SW 5097            | 180 x 180 | Plus Special Bathtub |
| SW 5096            | 150 x 150 | Plus Seated Special  | SW 5098            | 180 x 180 | Plus Seated Special  |

| Code Without Panel | Size / cm | Product Type                     |
|--------------------|-----------|----------------------------------|
| SW 5093            | 165 x 165 | Custom Flat Tub Without Panel    |
| SW 5094            | 165 x 165 | Plus Seated Special Flat Bathtub |

| Code        | Platform  | Application | Code        | Platform  | Application |
|-------------|-----------|-------------|-------------|-----------|-------------|
| SW 150-AP-1 | 180 x 180 | 1>          | SW 180-AP-1 | 150 x 150 | 1>          |
| SW 150-AP-2 | 150 x 150 | 2>          | SW 180-AP-2 | 180 x 180 | 2>          |
| SW 150-AP-3 | 150 x 150 | 3>          | SW 180-AP-3 | 180 x 180 | 3>          |
| SW 150-AP-4 | 150 x 150 | 4>          | SW 180-AP-4 | 180 x 180 | 4>          |
| SW 150-AP-5 | 150 x 150 | 5>          | SW 180-AP-5 | 180 x 180 | 5>          |

BATHTUB HANDLE ( CHROME )  
 BATHTUB HANDLE ( GOLD )  
 BATHTUB HEAD PILLOW (ADD-IN )  
 FOOTED HEAD PILLOW ( CHROME )  
 FOOTED HEAD PILLOW ( GOLD )

FAUCET ON THE BATHTUB ( CHROME )  
 FAUCET ON THE BATHTUB ( GOLD )  
 SHOWER FAUCET ON THE BATHTUB (CHROME)  
 SHOWER FAUCET ON THE BATHTUB (GOLD)

FOOTED BATHTUB FAUCET ( CHROME )  
 FOOTED BATHTUB FAUCET ( GOLD )  
 JACUZZI WATER LEVEL SENSOR  
 JACUZZI HEAD STABILIZER ( 1.5 KW )

# ATOS SQUARE SPECIAL BATH



|        |              |              |              |
|--------|--------------|--------------|--------------|
| 65     |              |              |              |
| HEIGHT | HYDRO SYSTEM | ECO FRIENDLY | COLOR OPTION |

| Code             | Size / cm | Code                             | Size / cm |
|------------------|-----------|----------------------------------|-----------|
| SW 5760 - Flat   | 160 x 160 | SW 5760 - Four Wall Panel-Flat   | 160 x 160 |
| SW 5761 - Seated | 160 x 160 | SW 5761 - Four Wall Panel-Seated | 160 x 160 |

| HYDROMASSAGE SYSTEM            |                                     |                                     |                                     |                                     |                                     |                                     |                                     |
|--------------------------------|-------------------------------------|-------------------------------------|-------------------------------------|-------------------------------------|-------------------------------------|-------------------------------------|-------------------------------------|
| ⊕ HYDROMASSAGE STANDARD SYSTEM | <input checked="" type="checkbox"/> | <input checked="" type="checkbox"/> | <input checked="" type="checkbox"/> | <input checked="" type="checkbox"/> |                                     |                                     |                                     |
| ⊕ HYDROMASSAGE EXTRA SYSTEM    | <input checked="" type="checkbox"/> | <input checked="" type="checkbox"/> | <input checked="" type="checkbox"/> | <input checked="" type="checkbox"/> |                                     |                                     |                                     |
| ⊕ HYDROMASSAGE ULTRA SYSTEM    | <input checked="" type="checkbox"/> | <input checked="" type="checkbox"/> | <input checked="" type="checkbox"/> | <input checked="" type="checkbox"/> | <input checked="" type="checkbox"/> | <input checked="" type="checkbox"/> |                                     |
| ⊕ HYDROMASSAGE FULL SYSTEM     | <input checked="" type="checkbox"/> | <input checked="" type="checkbox"/> | <input checked="" type="checkbox"/> | <input checked="" type="checkbox"/> | <input checked="" type="checkbox"/> | <input checked="" type="checkbox"/> | <input checked="" type="checkbox"/> |



BATHTUB HANDLE ( CROME )  
 BATHTUB HANDLE ( GOLD )  
 BATHTUB HEAD PILLOW (ADD-IN )  
 FOOTED HEAD PILLOW ( CROME )  
 FOOTED HEAD PILLOW( GOLD )

FAUCET ON THE BATHTUB ( CROME )  
 FAUCET ON THE BATHTUB ( GOLD )  
 SHOWER FAUCET ON THE BATHTUB (CROME)  
 SHOWER FAUCET ON THE BATHTUB (GOLD)

FOOTED BATHTUB FAUCET ( CROME )  
 FOOTED BATHTUB FAUCET ( GOLD )  
 JACUZZI WATER LEVEL SENSOR  
 JACUZZI HEADS TABILIZER ( 1.5 KW )

# ATOS PLUS SQUARE SPECIAL BATH



|        |              |              |              |
|--------|--------------|--------------|--------------|
| 65     |              |              |              |
| HEIGHT | HYDRO SYSTEM | ECO FRIENDLY | COLOR OPTION |

| Code Without Panel | Size / cm | Product Type                     |
|--------------------|-----------|----------------------------------|
| SW 5760            | 160 x 160 | Custom Flat Tub Without Panel    |
| SW 5761            | 160 x 160 | Plus Seated Special Flat Bathtub |

| WOODEN PANEL APPLICATIONS |     |     |     |     |
|---------------------------|-----|-----|-----|-----|
| Platform Size             | 1 > | 2 > | 3 > | 4 > |
| 170 x 170                 |     |     |     |     |

BATHTUB HANDLE ( CROME )  
 BATHTUB HANDLE ( GOLD )  
 BATHTUB HEAD PILLOW (ADD-IN )  
 FOOTED HEAD PILLOW ( CROME )  
 FOOTED HEAD PILLOW( GOLD )

FAUCET ON THE BATHTUB ( CROME )  
 FAUCET ON THE BATHTUB ( GOLD )  
 SHOWER FAUCET ON THE BATHTUB (CROME)  
 SHOWER FAUCET ON THE BATHTUB (GOLD)

FOOTED BATHTUB FAUCET ( CROME )  
 FOOTED BATHTUB FAUCET ( GOLD )  
 JACUZZI WATER LEVEL SENSOR  
 JACUZZI HEADS TABILIZER ( 1.5 KW )

# SHARK WOODEN DRAWER BATHTUB



|                     |              |              |              |
|---------------------|--------------|--------------|--------------|
| <b>65</b><br>HEIGHT | HYDRO SYSTEM | ECO FRIENDLY | COLOR OPTION |
|---------------------|--------------|--------------|--------------|

| Code                      | Size / cm | Code                      | Size / cm |
|---------------------------|-----------|---------------------------|-----------|
| SW 5019 - Tub with Drawer | 100 x 190 | SW 5029 - Tub with Drawer | 150 x 190 |
| SW 5020 - Tub with Drawer | 100 x 200 | SW 5031 - Tub with Drawer | 160 x 190 |
| SW 5025 - Tub with Drawer | 130 x 190 |                           |           |

| HYDROMASSAGE SYSTEM            | 0.900 HP MOTOR                      | 6 PCS SIDE HYDRO MASSAGE JET        | AUTOMATIC SIPHON                    | 4 PCS BACK MASSAGE JET              | 0.300 BLOWER MOTOR                  | 10 PCS AIR JET                      | THERAPY LAMP                        |
|--------------------------------|-------------------------------------|-------------------------------------|-------------------------------------|-------------------------------------|-------------------------------------|-------------------------------------|-------------------------------------|
| ⊕ HYDROMASSAGE STANDARD SYSTEM | <input checked="" type="checkbox"/> | <input checked="" type="checkbox"/> | <input checked="" type="checkbox"/> |                                     |                                     |                                     |                                     |
| ⊕ HYDROMASSAGE EXTRA SYSTEM    | <input checked="" type="checkbox"/> | <input checked="" type="checkbox"/> | <input checked="" type="checkbox"/> | <input checked="" type="checkbox"/> |                                     |                                     |                                     |
| ⊕ HYDROMASSAGE ULTRA SYSTEM    | <input checked="" type="checkbox"/> | <input checked="" type="checkbox"/> | <input checked="" type="checkbox"/> | <input checked="" type="checkbox"/> | <input checked="" type="checkbox"/> | <input checked="" type="checkbox"/> |                                     |
| ⊕ HYDROMASSAGE FULL SYSTEM     | <input checked="" type="checkbox"/> | <input checked="" type="checkbox"/> | <input checked="" type="checkbox"/> | <input checked="" type="checkbox"/> | <input checked="" type="checkbox"/> | <input checked="" type="checkbox"/> | <input checked="" type="checkbox"/> |

BATHTUB HANDLE ( CHROME )  
 BATHTUB HANDLE ( GOLD )  
 BATHTUB HEAD PILLOW (ADD-IN )  
 FOOTED HEAD PILLOW ( CHROME )  
 FOOTED HEAD PILLOW ( GOLD )

FAUCET ON THE BATHTUB ( CHROME )  
 FAUCET ON THE BATHTUB ( GOLD )  
 SHOWER FAUCET ON THE BATHTUB (CHROME)  
 SHOWER FAUCET ON THE BATHTUB (GOLD)

FOOTED BATHTUB FAUCET ( CHROME )  
 FOOTED BATHTUB FAUCET ( GOLD )  
 JACUZZI WATER LEVEL SENSOR  
 JACUZZI HEAD STABILIZER ( 1.5 KW )

# SHARK WOODEN DRAWER BATHTUB



|                     |              |              |              |
|---------------------|--------------|--------------|--------------|
| <b>65</b><br>HEIGHT | HYDRO SYSTEM | ECO FRIENDLY | COLOR OPTION |
|---------------------|--------------|--------------|--------------|

| SHARK PLUS WOODEN PLATFORM APPLICATIONS |               |        |        |        |        |
|---|---------------|--------|--------|--------|--------|
| Product Code                            | Platform Size | AP-1 > | AP-2 > | AP-3 > | AP-4 > |
|   |               |        |        |        |        |
| SW 5019-AP                              | 100 x 190     |        |        |        |        |
| SW 5020-AP                              | 100 x 200     |        |        |        |        |
| SW 5025-AP                              | 130 x 190     |        |        |        |        |
| SW 5029-AP                              | 150 x 190     |        |        |        |        |
| SW 5031-AP                              | 160 x 190     |        |        |        |        |

BATHTUB HANDLE ( CHROME )  
 BATHTUB HANDLE ( GOLD )  
 BATHTUB HEAD PILLOW (ADD-IN )  
 FOOTED HEAD PILLOW ( CHROME )  
 FOOTED HEAD PILLOW ( GOLD )

FAUCET ON THE BATHTUB ( CHROME )  
 FAUCET ON THE BATHTUB ( GOLD )  
 SHOWER FAUCET ON THE BATHTUB (CHROME)  
 SHOWER FAUCET ON THE BATHTUB (GOLD)

FOOTED BATHTUB FAUCET ( CHROME )  
 FOOTED BATHTUB FAUCET ( GOLD )  
 JACUZZI WATER LEVEL SENSOR  
 JACUZZI HEAD STABILIZER ( 1.5 KW )

# SHARK PLUS WOODEN DRAWER BATHTUB



| Code    | Size / cm | Code    | Size / cm |
|---------|-----------|---------|-----------|
| SW 5047 | 70 x 170  | SW 5067 | 80 x 170  |
| SW 5048 | 70 x 180  | SW 5068 | 80 x 180  |
| SW 5057 | 75 x 170  | SW 5077 | 90 x 170  |
| SW 5058 | 75 x 180  | SW 5078 | 90 x 180  |

| HYDROMASSAGE SYSTEM             | 0.900 HP MOTOR | 6 PCS SIDE HYDRO MASSAGE JET | AUTOMATIC SIPHON | 4 PCS BACK MASSAGE JET | 0.300 BLOWER MOTOR | 10 PCS AIR JET | THERAPY LAMP |
|---------------------------------|----------------|------------------------------|------------------|------------------------|--------------------|----------------|--------------|
| ⊕ HYDROMASSAGE S TANDART SYSTEM | ☑              | ☑                            | ☑                |                        |                    |                |              |
| ⊕ HYDROMASSAGE EXTRA SYSTEM     | ☑              | ☑                            | ☑                | ☑                      |                    |                |              |
| ⊕ HYDROMASSAGE ULTRA SYSTEM     | ☑              | ☑                            | ☑                | ☑                      | ☑                  | ☑              |              |
| ⊕ HYDROMASSAGE FULL SYSTEM      | ☑              | ☑                            | ☑                | ☑                      | ☑                  | ☑              | ☑            |

BATHTUB HANDLE ( CROME )  
 BATHTUB HANDLE ( GOLD )  
 BATHTUB HEAD PILLOW (ADD-IN )  
 FOOTED HEAD PILLOW ( CROME )  
 FOOTED HEAD PILLOW ( GOLD )

FAUCET ON THE BATHTUB ( CROME )  
 FAUCET ON THE BATHTUB ( GOLD )  
 SHOWER FAUCET ON THE BATHTUB (CROME)  
 SHOWER FAUCET ON THE BATHTUB (GOLD)

FOOTED BATHTUB FAUCET ( CROME )  
 FOOTED BATHTUB FAUCET ( GOLD )  
 JACUZZI WATER LEVEL SENSOR  
 JACUZZI HEAD STABILIZER ( 1.5 KW )

# SHARK WOODEN DRAWER BATHTUB



| SHARK PLUS WOODEN PLATFORM APPLICATIONS |               |        |        |        |        |
|---|---------------|--------|--------|--------|--------|
| Product Code                            | Platform Size | AP-1 > | AP-2 > | AP-3 > | AP-4 > |
|   |               |        |        |        |        |
| SW 5047                                 | 80 x 170      |        |        |        |        |
| SW 5048                                 | 80 x 180      |        |        |        |        |
| SW 5057                                 | 85 x 170      |        |        |        |        |
| SW 5058                                 | 85 x 180      |        |        |        |        |
| SW 5067                                 | 90 x 170      |        |        |        |        |
| SW 5068                                 | 90 x 180      |        |        |        |        |
| SW 5077                                 | 100 x 170     |        |        |        |        |
| SW 5078                                 | 100 x 180     |        |        |        |        |

BATHTUB HANDLE ( CROME )  
 BATHTUB HANDLE ( GOLD )  
 BATHTUB HEAD PILLOW (ADD-IN )  
 FOOTED HEAD PILLOW ( CROME )  
 FOOTED HEAD PILLOW ( GOLD )

FAUCET ON THE BATHTUB ( CROME )  
 FAUCET ON THE BATHTUB ( GOLD )  
 SHOWER FAUCET ON THE BATHTUB (CROME)  
 SHOWER FAUCET ON THE BATHTUB (GOLD)

FOOTED BATHTUB FAUCET ( CROME )  
 FOOTED BATHTUB FAUCET ( GOLD )  
 JACUZZI WATER LEVEL SENSOR  
 JACUZZI HEAD STABILIZER ( 1.5 KW )



## PENTA PENTAGONAL SPECIAL BATHTUB



| Code    | Size / cm     | Product Type    |
|---------|---------------|-----------------|
| SW 5700 | 60 x 80 x 170 | Special Bathtub |

| HYDROMASSAGE SYSTEM             | 0.900 HP MOTOR                      | 6 PCS SIDE HYDRO MASSAGE JET        | AUTOMATIC SIPHON                    | 4 PCS BACK MASSAGE JET              | 0.300 BLOWER MOTOR                  | 10 PCS AIR JET                      | THERAPY LAMP                        |
|---------------------------------|-------------------------------------|-------------------------------------|-------------------------------------|-------------------------------------|-------------------------------------|-------------------------------------|-------------------------------------|
| ⊕ HYDROMASSAGE S TANDART SYSTEM | <input checked="" type="checkbox"/> | <input checked="" type="checkbox"/> | <input checked="" type="checkbox"/> | <input checked="" type="checkbox"/> |                                     |                                     |                                     |
| ⊕ HYDROMASSAGE EXTRA SYSTEM     | <input checked="" type="checkbox"/> | <input checked="" type="checkbox"/> | <input checked="" type="checkbox"/> | <input checked="" type="checkbox"/> |                                     |                                     |                                     |
| ⊕ HYDROMASSAGE U LTRA SYSTEM    | <input checked="" type="checkbox"/> | <input checked="" type="checkbox"/> | <input checked="" type="checkbox"/> | <input checked="" type="checkbox"/> | <input checked="" type="checkbox"/> | <input checked="" type="checkbox"/> |                                     |
| ⊕ HYDROMASSAGE FULL SYSTEM      | <input checked="" type="checkbox"/> | <input checked="" type="checkbox"/> | <input checked="" type="checkbox"/> | <input checked="" type="checkbox"/> | <input checked="" type="checkbox"/> | <input checked="" type="checkbox"/> | <input checked="" type="checkbox"/> |



LEFT



RIGHT

## PENTA MEGA PENTAGONAL SPECIAL BATHTUB



| Code    | Size / cm       | Product Type    |
|---------|-----------------|-----------------|
| SW 5711 | 110 x 130 x 190 | Special Bathtub |

| HYDROMASSAGE SYSTEM             | 1.2 HP MOTOR                        | 8 PCS SIDE HYDRO MASSAGE JET        | AUTOMATIC SIPHON                    | 4 PCS BACK MASSAGE JET              | 0.300 BLOWER MOTOR                  | 10 PCS AIR JET                      | THERAPY LAMP                        |
|---------------------------------|-------------------------------------|-------------------------------------|-------------------------------------|-------------------------------------|-------------------------------------|-------------------------------------|-------------------------------------|
| ⊕ HYDROMASSAGE S TANDART SYSTEM | <input checked="" type="checkbox"/> | <input checked="" type="checkbox"/> | <input checked="" type="checkbox"/> | <input checked="" type="checkbox"/> |                                     |                                     |                                     |
| ⊕ HYDROMASSAGE EXTRA SYSTEM     | <input checked="" type="checkbox"/> | <input checked="" type="checkbox"/> | <input checked="" type="checkbox"/> | <input checked="" type="checkbox"/> |                                     |                                     |                                     |
| ⊕ HYDROMASSAGE U LTRA SYSTEM    | <input checked="" type="checkbox"/> | <input checked="" type="checkbox"/> | <input checked="" type="checkbox"/> | <input checked="" type="checkbox"/> | <input checked="" type="checkbox"/> | <input checked="" type="checkbox"/> |                                     |
| ⊕ HYDROMASSAGE FULL SYSTEM      | <input checked="" type="checkbox"/> | <input checked="" type="checkbox"/> | <input checked="" type="checkbox"/> | <input checked="" type="checkbox"/> | <input checked="" type="checkbox"/> | <input checked="" type="checkbox"/> | <input checked="" type="checkbox"/> |



LEFT

RIGHT

BATHTUB HANDLE ( CROME )  
 BATHTUB HANDLE ( GOLD )  
 BATHTUB HEAD PILLOW (ADD-IN )  
 FOOTED HEAD PILLOW ( CROME )  
 FOOTED HEAD PILLOW( GOLD )

FAUCET ON THE BATHTUB ( CROME )  
 FAUCET ON THE BATHTUB ( GOLD )  
 SHOWER FAUCET ON THE B ATHTUB (CROME)  
 SHOWER FAUCET ON THE B ATHTUB (GOLD)

FOOTED BATHTUB FAUCET ( CROME )  
 FOOTED BATHTUB FAUCET ( GOLD )  
 JACUZZI WATER LEVEL SENSO R  
 JACUZZI HEAD S TABILIZER ( 1.5 KW )

# PREMIUM SPECIAL BATHTUB



| Code    | Size / cm | Product Type    |
|---------|-----------|-----------------|
| SW 5279 | 90 x 190  | Special Bathtub |
| SW 5280 | 90 x 200  | Special Bathtub |

| HYDROMASSAGE SYSTEM             | 0.900 HP MOTOR                      | 6 PCS SIDE HYDRO MASSAGE JET        | AUTOMATIC SIPHON                    | 4 PCS BACK MASSAGE JET              | 0.300 BLOWER MOTOR                  | 10 PCS AIR JET                      | THERAPY LAMP                        |
|---------------------------------|-------------------------------------|-------------------------------------|-------------------------------------|-------------------------------------|-------------------------------------|-------------------------------------|-------------------------------------|
| ⊕ HYDROMASSAGE S TANDART SYSTEM | <input checked="" type="checkbox"/> | <input checked="" type="checkbox"/> | <input checked="" type="checkbox"/> |                                     |                                     |                                     |                                     |
| ⊕ HYDROMASSAGE EXTRA SYSTEM     | <input checked="" type="checkbox"/> | <input checked="" type="checkbox"/> | <input checked="" type="checkbox"/> | <input checked="" type="checkbox"/> |                                     |                                     |                                     |
| ⊕ HYDROMASSAGE ULTRA SYSTEM     | <input checked="" type="checkbox"/> | <input checked="" type="checkbox"/> | <input checked="" type="checkbox"/> | <input checked="" type="checkbox"/> | <input checked="" type="checkbox"/> | <input checked="" type="checkbox"/> |                                     |
| ⊕ HYDROMASSAGE FULL SYSTEM      | <input checked="" type="checkbox"/> | <input checked="" type="checkbox"/> | <input checked="" type="checkbox"/> | <input checked="" type="checkbox"/> | <input checked="" type="checkbox"/> | <input checked="" type="checkbox"/> | <input checked="" type="checkbox"/> |



BATHTUB HANDLE ( CROME )  
 BATHTUB HANDLE ( GOLD )  
 BATHTUB HEAD PILLOW (ADD-IN )  
 FOOTED HEAD PILLOW ( CROME )  
 FOOTED HEAD PILLOW ( GOLD )

FAUCET ON THE BATHTUB ( CROME )  
 FAUCET ON THE BATHTUB ( GOLD )  
 SHOWER FAUCET ON THE BATHTUB (CROME)  
 SHOWER FAUCET ON THE BATHTUB (GOLD)

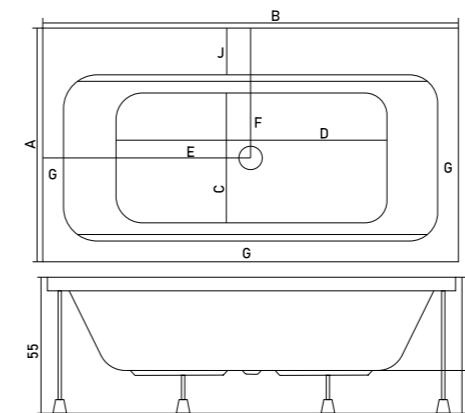
FOOTED BATHTUB FAUCET ( CROME )  
 FOOTED BATHTUB FAUCET ( GOLD )  
 JACUZZI WATER LEVEL SENSOR  
 JACUZZI HEAD STABILIZER ( 1.5 KW )

# ADROGOS RECTANGULAR BATHTUB



| Code    | Size / cm | Code    | Size / cm |
|---------|-----------|---------|-----------|
| SW 7319 | 100 x 190 | SW 7320 | 100 x 200 |

| HYDROMASSAGE SYSTEM             | 0.900 HP MOTOR                      | 6 PCS SIDE HYDRO MASSAGE JET        | AUTOMATIC SIPHON                    | 4 PCS BACK MASSAGE JET              | 0.300 BLOWER MOTOR                  | 10 PCS AIR JET                      | THERAPY LAMP                        |
|---------------------------------|-------------------------------------|-------------------------------------|-------------------------------------|-------------------------------------|-------------------------------------|-------------------------------------|-------------------------------------|
| ⊕ HYDROMASSAGE S TANDART SYSTEM | <input checked="" type="checkbox"/> | <input checked="" type="checkbox"/> | <input checked="" type="checkbox"/> |                                     |                                     |                                     |                                     |
| ⊕ HYDROMASSAGE EXTRA SYSTEM     | <input checked="" type="checkbox"/> | <input checked="" type="checkbox"/> | <input checked="" type="checkbox"/> | <input checked="" type="checkbox"/> |                                     |                                     |                                     |
| ⊕ HYDROMASSAGE ULTRA SYSTEM     | <input checked="" type="checkbox"/> | <input checked="" type="checkbox"/> | <input checked="" type="checkbox"/> | <input checked="" type="checkbox"/> | <input checked="" type="checkbox"/> | <input checked="" type="checkbox"/> |                                     |
| ⊕ HYDROMASSAGE FULL SYSTEM      | <input checked="" type="checkbox"/> | <input checked="" type="checkbox"/> | <input checked="" type="checkbox"/> | <input checked="" type="checkbox"/> | <input checked="" type="checkbox"/> | <input checked="" type="checkbox"/> | <input checked="" type="checkbox"/> |



| ADROGOS |           |     |     |    |     |     |    |   |    |
|---------|-----------|-----|-----|----|-----|-----|----|---|----|
| CODE    | SIZE      | A   | B   | C  | D   | E   | F  | G | J  |
| SW 7319 | 100 x 190 | 100 | 190 | 62 | 115 | 95  | 55 | 8 | 18 |
| SW 7320 | 100 x 200 | 100 | 200 | 62 | 125 | 100 | 55 | 8 | 18 |

# PECEFUL SPECIAL BATHTUB



| Code    | Size / cm | Product Type    | Code    | Size / cm | Product Type    |
|---------|-----------|-----------------|---------|-----------|-----------------|
| SW 5297 | 110 x 170 | Special Bathtub | SW 5307 | 120 x 170 | Special Bathtub |
| SW 5298 | 110 x 180 | Special Bathtub |         |           |                 |

| HYDROMASSAGE SYSTEM             | 0.900 HP MOTOR                      | 6 PCS SIDE HYDRO MASSAGE JET        | AUTOMATIC SIPHON                    | 4 PCS BACK MASSAGE JET              | 0.300 BLOWER MOTOR                  | 10 PCS AIR JET                      | THERAPY LAMP                        |
|---------------------------------|-------------------------------------|-------------------------------------|-------------------------------------|-------------------------------------|-------------------------------------|-------------------------------------|-------------------------------------|
| ⊕ HYDROMASSAGE S TANDART SYSTEM | <input checked="" type="checkbox"/> | <input checked="" type="checkbox"/> | <input checked="" type="checkbox"/> |                                     |                                     |                                     |                                     |
| ⊕ HYDROMASSAGE EXTRA SYSTEM     | <input checked="" type="checkbox"/> | <input checked="" type="checkbox"/> | <input checked="" type="checkbox"/> | <input checked="" type="checkbox"/> |                                     |                                     |                                     |
| ⊕ HYDROMASSAGE U LTRA SYSTEM    | <input checked="" type="checkbox"/> | <input checked="" type="checkbox"/> | <input checked="" type="checkbox"/> | <input checked="" type="checkbox"/> | <input checked="" type="checkbox"/> | <input checked="" type="checkbox"/> |                                     |
| ⊕ HYDROMASSAGE FULL SYSTEM      | <input checked="" type="checkbox"/> | <input checked="" type="checkbox"/> | <input checked="" type="checkbox"/> | <input checked="" type="checkbox"/> | <input checked="" type="checkbox"/> | <input checked="" type="checkbox"/> | <input checked="" type="checkbox"/> |



BATHTUB HANDLE ( CROME )  
 BATHTUB HANDLE ( GOLD )  
 BATHTUB HEAD PILLOW (ADD-IN )  
 FOOTED HEAD PILLOW ( CROME )  
 FOOTED HEAD PILLOW( GOLD )

FAUCET ON THE BATHTUB ( CROME )  
 FAUCET ON THE BATHTUB ( GOLD )  
 SHOWER FAUCET ON THE BATHTUB (CROME)  
 SHOWER FAUCET ON THE BATHTUB (GOLD)

FOOTED BATHTUB FAUCET ( CROME )  
 FOOTED BATHTUB FAUCET ( GOLD )  
 JACUZZI WATER LEVEL SENSOR  
 JACUZZI HEAD STABILIZER ( 1.5 KW )

# PRETTY P TYPE SPECIAL BATHTUB



| Code    | Size / cm     | Product Type    |
|---------|---------------|-----------------|
| SW 5544 | 70 x 85 x 170 | Special Bathtub |
| SW 5545 | 70 x 85 x 170 | Seated Special  |

| HYDROMASSAGE SYSTEM             | 0.900 HP MOTOR                      | 6 PCS SIDE HYDRO MASSAGE JET        | AUTOMATIC SIPHON                    | 4 PCS BACK MASSAGE JET              | 0.300 BLOWER MOTOR                  | 10 PCS AIR JET                      | THERAPY LAMP                        |
|---------------------------------|-------------------------------------|-------------------------------------|-------------------------------------|-------------------------------------|-------------------------------------|-------------------------------------|-------------------------------------|
| ⊕ HYDROMASSAGE S TANDART SYSTEM | <input checked="" type="checkbox"/> | <input checked="" type="checkbox"/> | <input checked="" type="checkbox"/> |                                     |                                     |                                     |                                     |
| ⊕ HYDROMASSAGE EXTRA SYSTEM     | <input checked="" type="checkbox"/> | <input checked="" type="checkbox"/> | <input checked="" type="checkbox"/> | <input checked="" type="checkbox"/> |                                     |                                     |                                     |
| ⊕ HYDROMASSAGE U LTRA SYSTEM    | <input checked="" type="checkbox"/> | <input checked="" type="checkbox"/> | <input checked="" type="checkbox"/> | <input checked="" type="checkbox"/> | <input checked="" type="checkbox"/> | <input checked="" type="checkbox"/> |                                     |
| ⊕ HYDROMASSAGE FULL SYSTEM      | <input checked="" type="checkbox"/> | <input checked="" type="checkbox"/> | <input checked="" type="checkbox"/> | <input checked="" type="checkbox"/> | <input checked="" type="checkbox"/> | <input checked="" type="checkbox"/> | <input checked="" type="checkbox"/> |

EATED

PLAIN



## LUCKY L TYPE SPECIAL BATHTUB



| Code    | Size / cm     | Product Type    |
|---------|---------------|-----------------|
| SW 5550 | 70 x 85 x 170 | Special Bathtub |
| SW 5551 | 70 x 85 x 170 | Seated Special  |

| Compatible Cabin | Bright Aluminium | Mat Black Aluminium | Gold Aluminium |
|------------------|------------------|---------------------|----------------|
| LUCKY-001        | ☑                | ☑                   | ☑              |

EATED



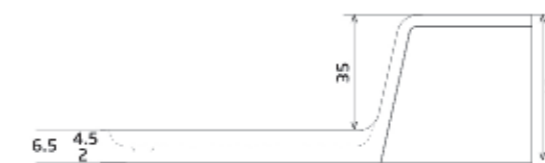
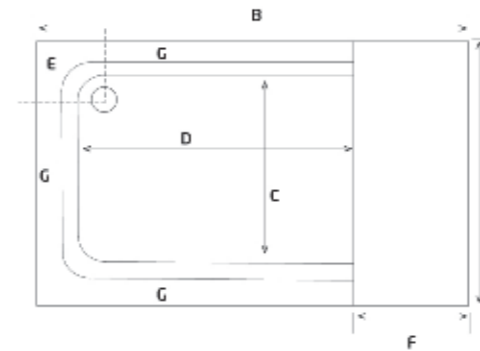
PLAIN



## GAYA SEATED RECTANGLE FLAT SHOWER TRAY



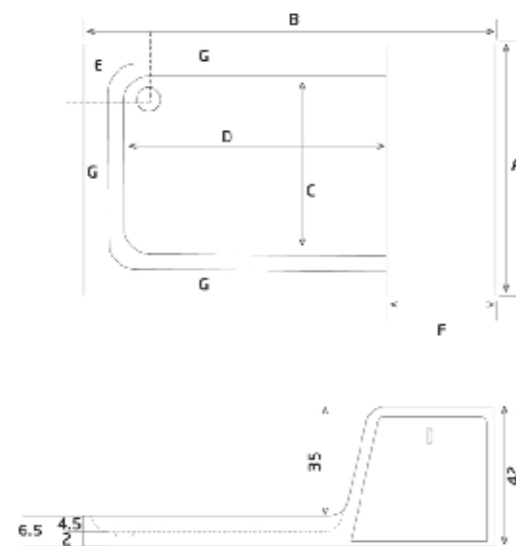
| Code    | Size / cm | Product Type            | Code    | Size / cm | Product Type            |
|---------|-----------|-------------------------|---------|-----------|-------------------------|
| SW 5606 | 80 x 130  | Seated Flat Shower Tray | SW 5616 | 90 x 130  | Seated Flat Shower Tray |
| SW 5607 | 80 x 140  | Seated Flat Shower Tray | SW 5617 | 90 x 140  | Seated Flat Shower Tray |
| SW 5608 | 80 x 150  | Seated Flat Shower Tray | SW 5618 | 90 x 150  | Seated Flat Shower Tray |



## DRAWER DRAWER RECTANGLE FLAT SHOWER TRAY



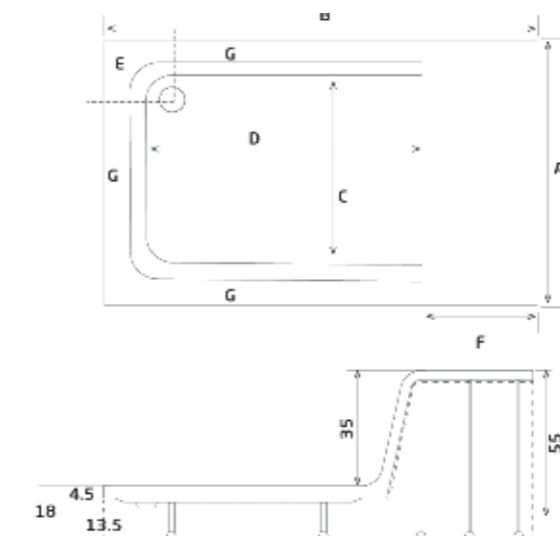
| Code    | Size / cm | Product Type            | Code    | Size / cm | Product Type            |
|---------|-----------|-------------------------|---------|-----------|-------------------------|
| SW 5563 | 80 x 130  | Seated Flat Shower Tray | SW 5573 | 90 x 130  | Seated Flat Shower Tray |
| SW 5564 | 80 x 140  | Seated Flat Shower Tray | SW 5574 | 90 x 140  | Seated Flat Shower Tray |
| SW 5565 | 80 x 150  | Seated Flat Shower Tray | SW 5575 | 90 x 150  | Seated Flat Shower Tray |



## GAYA SEATED RECTANGLE SHOWER TRAY



| Code    | Size / cm | Product Type       | Code    | Size / cm | Product Type       |
|---------|-----------|--------------------|---------|-----------|--------------------|
| SW 5626 | 80 x 130  | Seated Shower Tray | SW 5636 | 90 x 130  | Seated Shower Tray |
| SW 5627 | 80 x 140  | Seated Shower Tray | SW 5637 | 90 x 140  | Seated Shower Tray |
| SW 5628 | 80 x 150  | Seated Shower Tray | SW 5638 | 90 x 150  | Seated Shower Tray |



## DRAWER DRAWER RECTANGLE SHOWER TRAY

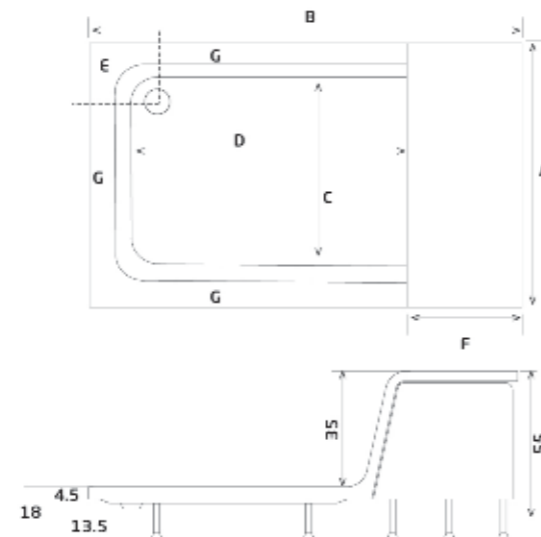


## OMEGA SPECIAL BATHTUB



| Code    | Size / cm |
|---------|-----------|
| SW 5218 | 75 x 180  |

| Code    | Size / cm | Product Type            | Code    | Size / cm | Product Type            |
|---------|-----------|-------------------------|---------|-----------|-------------------------|
| SW 5583 | 80 x 130  | Seated Flat Shower Tray | SW 5593 | 90 x 130  | Seated Flat Shower Tray |
| SW 5584 | 80 x 140  | Seated Flat Shower Tray | SW 5594 | 90 x 140  | Seated Flat Shower Tray |
| SW 5585 | 80 x 150  | Seated Flat Shower Tray | SW 5595 | 90 x 150  | Seated Flat Shower Tray |



| HYDROMASSAGE SYSTEM             | 0.900 HP MOTOR | 6 PCS SIDE HYDRO MASSAGE JET | AUTOMATIC SIPHON | 4 PCS BACK MASSAGE JET | 0.300 BLOWER MOTOR | 10 PCS AIR JET | THERAPY LAMP |
|---------------------------------|----------------|------------------------------|------------------|------------------------|--------------------|----------------|--------------|
| ⊕ HYDROMASSAGE S TANDART SYSTEM | ☑              | ☑                            | ☑                |                        |                    |                |              |
| ⊕ HYDROMASSAGE EXTRA SYSTEM     | ☑              | ☑                            | ☑                | ☑                      |                    |                |              |
| ⊕ HYDROMASSAGE ULTRA SYSTEM     | ☑              | ☑                            | ☑                | ☑                      | ☑                  | ☑              |              |
| ⊕ HYDROMASSAGE FULL SYSTEM      | ☑              | ☑                            | ☑                | ☑                      | ☑                  | ☑              | ☑            |



BATHTUB HANDLE ( CROME )  
 BATHTUB HANDLE ( GOLD )  
 BATHTUB HEAD PILLOW (ADD-IN )  
 FOOTED HEAD PILLOW ( CROME )  
 FOOTED HEAD PILLOW ( GOLD )

FAUCET ON THE BATHTUB ( CROME )  
 FAUCET ON THE BATHTUB ( GOLD )  
 SHOWER FAUCET ON THE BATHTUB ( CROME )  
 SHOWER FAUCET ON THE BATHTUB ( GOLD )

FOOTED BATHTUB FAUCET ( CROME )  
 FOOTED BATHTUB FAUCET ( GOLD )  
 JACUZZI WATER LEVEL SENSOR  
 JACUZZI HEAD STABILIZER ( 1.5 KW )

## ELIPTICA SPECIAL BATHTUB



| Code    | Size / cm |
|---------|-----------|
| SW 5238 | 80 x 180  |

|                     |              |              |              |
|---------------------|--------------|--------------|--------------|
| <b>60</b><br>HEIGHT | HYDRO SYSTEM | ECO FRIENDLY | COLOR OPTION |
|---------------------|--------------|--------------|--------------|

## LOBSTER SPECIAL BATHTUB



| Code    | Size / cm      |
|---------|----------------|
| SW 5378 | 80 x 105 x 180 |

|                     |              |              |              |
|---------------------|--------------|--------------|--------------|
| <b>55</b><br>HEIGHT | HYDRO SYSTEM | ECO FRIENDLY | COLOR OPTION |
|---------------------|--------------|--------------|--------------|

| HYDROMASSAGE SYSTEM            | 0.900 HP MOTOR                      | 6 PCS SIDE HYDRO MASSAGE JET        | AUTOMATIC SIPHON                    | 4 PCS BACK MASSAGE JET              | 0.300 BLOWER MOTOR                  | 10 PCS AIR JET                      | THERAPY LAMP                        |
|--------------------------------|-------------------------------------|-------------------------------------|-------------------------------------|-------------------------------------|-------------------------------------|-------------------------------------|-------------------------------------|
| ⊕ HYDROMASSAGE STANDARD SYSTEM | <input checked="" type="checkbox"/> | <input checked="" type="checkbox"/> | <input checked="" type="checkbox"/> | <input checked="" type="checkbox"/> |                                     |                                     |                                     |
| ⊕ HYDROMASSAGE EXTRA SYSTEM    | <input checked="" type="checkbox"/> | <input checked="" type="checkbox"/> | <input checked="" type="checkbox"/> | <input checked="" type="checkbox"/> |                                     |                                     |                                     |
| ⊕ HYDROMASSAGE ULTRA SYSTEM    | <input checked="" type="checkbox"/> | <input checked="" type="checkbox"/> | <input checked="" type="checkbox"/> | <input checked="" type="checkbox"/> | <input checked="" type="checkbox"/> | <input checked="" type="checkbox"/> |                                     |
| ⊕ HYDROMASSAGE FULL SYSTEM     | <input checked="" type="checkbox"/> | <input checked="" type="checkbox"/> | <input checked="" type="checkbox"/> | <input checked="" type="checkbox"/> | <input checked="" type="checkbox"/> | <input checked="" type="checkbox"/> | <input checked="" type="checkbox"/> |

| HYDROMASSAGE SYSTEM            | 0.900 HP MOTOR                      | 6 PCS SIDE HYDRO MASSAGE JET        | AUTOMATIC SIPHON                    | 4 PCS BACK MASSAGE JET              | 0.300 BLOWER MOTOR                  | 10 PCS AIR JET                      | THERAPY LAMP                        |
|--------------------------------|-------------------------------------|-------------------------------------|-------------------------------------|-------------------------------------|-------------------------------------|-------------------------------------|-------------------------------------|
| ⊕ HYDROMASSAGE STANDARD SYSTEM | <input checked="" type="checkbox"/> | <input checked="" type="checkbox"/> | <input checked="" type="checkbox"/> | <input checked="" type="checkbox"/> |                                     |                                     |                                     |
| ⊕ HYDROMASSAGE EXTRA SYSTEM    | <input checked="" type="checkbox"/> | <input checked="" type="checkbox"/> | <input checked="" type="checkbox"/> | <input checked="" type="checkbox"/> |                                     |                                     |                                     |
| ⊕ HYDROMASSAGE ULTRA SYSTEM    | <input checked="" type="checkbox"/> | <input checked="" type="checkbox"/> | <input checked="" type="checkbox"/> | <input checked="" type="checkbox"/> | <input checked="" type="checkbox"/> | <input checked="" type="checkbox"/> |                                     |
| ⊕ HYDROMASSAGE FULL SYSTEM     | <input checked="" type="checkbox"/> | <input checked="" type="checkbox"/> | <input checked="" type="checkbox"/> | <input checked="" type="checkbox"/> | <input checked="" type="checkbox"/> | <input checked="" type="checkbox"/> | <input checked="" type="checkbox"/> |



BATHTUB HANDLE ( CROME )  
 BATHTUB HANDLE ( GOLD )  
 BATHTUB HEAD PILLOW (ADD-IN )  
 FOOTED HEAD PILLOW ( CROME )  
 FOOTED HEAD PILLOW ( GOLD )

FAUCET ON THE BATHTUB ( CROME )  
 FAUCET ON THE BATHTUB ( GOLD )  
 SHOWER FAUCET ON THE BATHTUB (CROME)  
 SHOWER FAUCET ON THE BATHTUB (GOLD)

FOOTED BATHTUB FAUCET ( CROME )  
 FOOTED BATHTUB FAUCET ( GOLD )  
 JACUZZI WATER LEVEL SENSOR  
 JACUZZI HEAD STABILIZER ( 1.5 KW )



BATHTUB HANDLE ( CROME )  
 BATHTUB HANDLE ( GOLD )  
 BATHTUB HEAD PILLOW (ADD-IN )  
 FOOTED HEAD PILLOW ( CROME )  
 FOOTED HEAD PILLOW ( GOLD )

FAUCET ON THE BATHTUB ( CROME )  
 FAUCET ON THE BATHTUB ( GOLD )  
 SHOWER FAUCET ON THE BATHTUB (CROME)  
 SHOWER FAUCET ON THE BATHTUB (GOLD)

FOOTED BATHTUB FAUCET ( CROME )  
 FOOTED BATHTUB FAUCET ( GOLD )  
 JACUZZI WATER LEVEL SENSOR  
 JACUZZI HEAD STABILIZER ( 1.5 KW )

## CELLESE OVAL MINI BATHTUB



| Code    | Size / cm | Code    | Size / cm |
|---------|-----------|---------|-----------|
| SW 6008 | 80 x 80   | SW 6014 | 110 x 110 |
| SW 6010 | 90 x 90   | SW 6016 | 120 x 120 |
| SW 6012 | 100 x 100 | SW 6018 | 130 x 130 |

45 HEIGHT
HYDRO SYSTEM
ECO FRIENDLY
COLOR OPTION

| HYDROMASSAGE SYSTEM             | 0.900 HP MOTOR | 6 PCS SIDE HYDRO MASSAGE JET | AUTOMATIC SIPHON | 4 PCS BACK MASSAGE JET | 0.300 BLOWER MOTOR | 10 PCS AIR JET | THERAPY LAMP |
|---------------------------------|----------------|------------------------------|------------------|------------------------|--------------------|----------------|--------------|
| ⊕ HYDROMASSAGE S TANDART SYSTEM | ☑              | ☑                            | ☑                |                        |                    |                |              |
| ⊕ HYDROMASSAGE EXTRA SYSTEM     | ☑              | ☑                            | ☑                | ☑                      |                    |                |              |
| ⊕ HYDROMASSAGE ULTRA SYSTEM     | ☑              | ☑                            | ☑                | ☑                      | ☑                  | ☑              |              |
| ⊕ HYDROMASSAGE FULL SYSTEM      | ☑              | ☑                            | ☑                | ☑                      | ☑                  | ☑              | ☑            |



BATHTUB HANDLE ( CROME )  
 BATHTUB HANDLE ( GOLD )  
 BATHTUB HEAD PILLOW (ADD-IN )  
 FOOTED HEAD PILLOW ( CROME )  
 FOOTED HEAD PILLOW ( GOLD )

FAUCET ON THE BATHTUB ( CROME )  
 FAUCET ON THE BATHTUB ( GOLD )  
 SHOWER FAUCET ON THE BATHTUB (CROME)  
 SHOWER FAUCET ON THE BATHTUB (GOLD)

FOOTED BATHTUB FAUCET ( CROME )  
 FOOTED BATHTUB FAUCET ( GOLD )  
 JACUZZI WATER LEVEL SENSOR  
 JACUZZI HEADS TABILIZER ( 1.5 KW )

## FLIBOS OVAL BATHTUB



| Code    | Size / cm | Code    | Size / cm |
|---------|-----------|---------|-----------|
| SW 6041 | 110 x 110 | SW 6047 | 140 x 140 |
| SW 6043 | 120 x 120 | SW 6049 | 150 x 150 |
| SW 6045 | 130 x 130 |         |           |

55 HEIGHT
HYDRO SYSTEM
ECO FRIENDLY
COLOR OPTION

| HYDROMASSAGE SYSTEM             | 0.900 HP MOTOR | 6 PCS SIDE HYDRO MASSAGE JET | AUTOMATIC SIPHON | 4 PCS BACK MASSAGE JET | 0.300 BLOWER MOTOR | 10 PCS AIR JET | THERAPY LAMP |
|---------------------------------|----------------|------------------------------|------------------|------------------------|--------------------|----------------|--------------|
| ⊕ HYDROMASSAGE S TANDART SYSTEM | ☑              | ☑                            | ☑                |                        |                    |                |              |
| ⊕ HYDROMASSAGE EXTRA SYSTEM     | ☑              | ☑                            | ☑                | ☑                      |                    |                |              |
| ⊕ HYDROMASSAGE ULTRA SYSTEM     | ☑              | ☑                            | ☑                | ☑                      | ☑                  | ☑              |              |
| ⊕ HYDROMASSAGE FULL SYSTEM      | ☑              | ☑                            | ☑                | ☑                      | ☑                  | ☑              | ☑            |



BATHTUB HANDLE ( CROME )  
 BATHTUB HANDLE ( GOLD )  
 BATHTUB HEAD PILLOW (ADD-IN )  
 FOOTED HEAD PILLOW ( CROME )  
 FOOTED HEAD PILLOW ( GOLD )

FAUCET ON THE BATHTUB ( CROME )  
 FAUCET ON THE BATHTUB ( GOLD )  
 SHOWER FAUCET ON THE BATHTUB (CROME)  
 SHOWER FAUCET ON THE BATHTUB (GOLD)

FOOTED BATHTUB FAUCET ( CROME )  
 FOOTED BATHTUB FAUCET ( GOLD )  
 JACUZZI WATER LEVEL SENSOR  
 JACUZZI HEADS TABILIZER ( 1.5 KW )



## MINA SQUARE SEATED MINI BATHTUB



| Code    | Size / cm | Code    | Size / cm |
|---------|-----------|---------|-----------|
| SW 6078 | 90 x 90   | SW 6080 | 100 x 100 |



## STANY ASYMMETRIC BATHTUB



| Code    | Size / cm | Code    | Size / cm |
|---------|-----------|---------|-----------|
| SW 6224 | 75 x 140  | SW 6226 | 75 x 160  |
| SW 6225 | 75 x 150  | SW 6227 | 75 x 170  |



| HYDROMASSAGE SYSTEM            | 0.900 HP MOTOR | 6 PCS SIDE HYDRO MASSAGE JET | AUTOMATIC SIPHON | 4 PCS BACK MASSAGE JET | 0.300 BLOWER MOTOR | 10 PCS AIR JET | THERAPY LAMP |
|--------------------------------|----------------|------------------------------|------------------|------------------------|--------------------|----------------|--------------|
| ⊕ HYDROMASSAGE STANDARD SYSTEM | ☑              | ☑                            | ☑                | ☑                      |                    |                |              |
| ⊕ HYDROMASSAGE EXTRA SYSTEM    | ☑              | ☑                            | ☑                | ☑                      |                    |                |              |
| ⊕ HYDROMASSAGE ULTRA SYSTEM    | ☑              | ☑                            | ☑                | ☑                      | ☑                  | ☑              |              |
| ⊕ HYDROMASSAGE FULL SYSTEM     | ☑              | ☑                            | ☑                | ☑                      | ☑                  | ☑              | ☑            |

| HYDROMASSAGE SYSTEM            | 0.900 HP MOTOR | 6 PCS SIDE HYDRO MASSAGE JET | AUTOMATIC SIPHON | 4 PCS BACK MASSAGE JET | 0.300 BLOWER MOTOR | 10 PCS AIR JET | THERAPY LAMP |
|--------------------------------|----------------|------------------------------|------------------|------------------------|--------------------|----------------|--------------|
| ⊕ HYDROMASSAGE STANDARD SYSTEM | ☑              | ☑                            | ☑                | ☑                      |                    |                |              |
| ⊕ HYDROMASSAGE EXTRA SYSTEM    | ☑              | ☑                            | ☑                | ☑                      |                    |                |              |
| ⊕ HYDROMASSAGE ULTRA SYSTEM    | ☑              | ☑                            | ☑                | ☑                      | ☑                  | ☑              |              |
| ⊕ HYDROMASSAGE FULL SYSTEM     | ☑              | ☑                            | ☑                | ☑                      | ☑                  | ☑              | ☑            |



BATHTUB HANDLE ( CHROME )  
 BATHTUB HANDLE ( GOLD )  
 BATHTUB HEAD PILLOW (ADD-IN )  
 FOOTED HEAD PILLOW ( CHROME )  
 FOOTED HEAD PILLOW ( GOLD )

FAUCET ON THE BATHTUB ( CHROME )  
 FAUCET ON THE BATHTUB ( GOLD )  
 SHOWER FAUCET ON THE BATHTUB (CHROME)  
 SHOWER FAUCET ON THE BATHTUB (GOLD)

FOOTED BATHTUB FAUCET ( CHROME )  
 FOOTED BATHTUB FAUCET ( GOLD )  
 JACUZZI WATER LEVEL SENSOR  
 JACUZZI HEAD STABILIZER ( 1.5 KW )



## AKER ASYMMETRIC MINI BATHTUB

| Code    | Size / cm |
|---------|-----------|
| SW 6454 | 90 x 140  |
| SW 6455 | 90 x 150  |
| SW 6456 | 90 x 160  |



## HESTIA SYMMETRIC BATHTUB

| Code    | Size / cm |
|---------|-----------|
| SW 6514 | 90 x 140  |
| SW 6515 | 90 x 150  |
| SW 6516 | 90 x 160  |

## TANNY ASYMMETRIC SEATED BATHTUB



| Code    | Size / cm | Code    | Size / cm |
|---------|-----------|---------|-----------|
| SW 6244 | 75 x 140  | SW 6246 | 75 x 160  |
| SW 6245 | 75 x 150  | SW 6247 | 75 x 170  |



## FERISYA ASYMMETRIC SEATED MINI BATHTUB



| Code    | Size / cm | Code    | Size / cm |
|---------|-----------|---------|-----------|
| SW 6280 | 80 x 100  | SW 6282 | 80 x 120  |
| SW 6281 | 80 x 110  | SW 6283 | 80 x 130  |



| HYDROMASSAGE SYSTEM             | 0 900 HP MOTOR | 6 PCS SIDE HYDRO MASSAGE JET | AUTOMATIC SIPHON | 4 PCS BACK MASSAGE JET | 0.300 BLOWER MOTOR | 10 PCS AIR JET | THERAPY LAMP |
|---------------------------------|----------------|------------------------------|------------------|------------------------|--------------------|----------------|--------------|
| ⊕ HYDROMASSAGE S TANDART SYSTEM | ☑              | ☑                            | ☑                | ☑                      |                    |                |              |
| ⊕ HYDROMASSAGE EXTRA SYSTEM     | ☑              | ☑                            | ☑                | ☑                      |                    |                |              |
| ⊕ HYDROMASSAGE ULTRA SYSTEM     | ☑              | ☑                            | ☑                | ☑                      | ☑                  | ☑              |              |
| ⊕ HYDROMASSAGE FULL SYSTEM      | ☑              | ☑                            | ☑                | ☑                      | ☑                  | ☑              | ☑            |



BATHTUB HANDLE ( CROME )  
 BATHTUB HANDLE ( GOLD )  
 BATHTUB HEAD PILLOW (ADD-IN )  
 FOOTED HEAD PILLOW ( CROME )  
 FOOTED HEAD PILLOW ( GOLD )

FAUCET ON THE BATHTUB ( CROME )  
 FAUCET ON THE BATHTUB ( GOLD )  
 SHOWER FAUCET ON THE BATHTUB (CROME)  
 SHOWER FAUCET ON THE BATHTUB (GOLD)

FOOTED BATHTUB FAUCET ( CROME )  
 FOOTED BATHTUB FAUCET ( GOLD )  
 JACUZZI WATER LEVEL SENSOR  
 JACUZZI HEAD STABILIZER ( 1.5 KW )

| HYDROMASSAGE SYSTEM             | 0 900 HP MOTOR | 6 PCS SIDE HYDRO MASSAGE JET | AUTOMATIC SIPHON | 4 PCS BACK MASSAGE JET | 0.300 BLOWER MOTOR | 10 PCS AIR JET | THERAPY LAMP |
|---------------------------------|----------------|------------------------------|------------------|------------------------|--------------------|----------------|--------------|
| ⊕ HYDROMASSAGE S TANDART SYSTEM | ☑              | ☑                            | ☑                | ☑                      |                    |                |              |
| ⊕ HYDROMASSAGE EXTRA SYSTEM     | ☑              | ☑                            | ☑                | ☑                      |                    |                |              |
| ⊕ HYDROMASSAGE ULTRA SYSTEM     | ☑              | ☑                            | ☑                | ☑                      | ☑                  | ☑              |              |
| ⊕ HYDROMASSAGE FULL SYSTEM      | ☑              | ☑                            | ☑                | ☑                      | ☑                  | ☑              | ☑            |



BATHTUB HANDLE ( CROME )  
 BATHTUB HANDLE ( GOLD )  
 BATHTUB HEAD PILLOW (ADD-IN )  
 FOOTED HEAD PILLOW ( CROME )  
 FOOTED HEAD PILLOW ( GOLD )

FAUCET ON THE BATHTUB ( CROME )  
 FAUCET ON THE BATHTUB ( GOLD )  
 SHOWER FAUCET ON THE BATHTUB (CROME)  
 SHOWER FAUCET ON THE BATHTUB (GOLD)

FOOTED BATHTUB FAUCET ( CROME )  
 FOOTED BATHTUB FAUCET ( GOLD )  
 JACUZZI WATER LEVEL SENSOR  
 JACUZZI HEAD STABILIZER ( 1.5 KW )

## ANETHUM ASYMMETRIC SEATED MINI BATHTUB



| Code    | Size / cm | Code    | Size / cm |
|---------|-----------|---------|-----------|
| SW 6470 | 90 x 100  | SW 6472 | 90 x 120  |
| SW 6471 | 90 x 110  | SW 6473 | 90 x 130  |



## SUNON ASYMMETRIC SEATED MINI BATHTUB



| Code    | Size / c |
|---------|----------|
| SW 6494 | 90 x 140 |
| SW 6495 | 90 x 150 |

| Code    | Size / c |
|---------|----------|
| SW 6496 | 90 x 160 |



## LIMA ASYMMETRIC MINI BATHTUB



| Code    | Size / cm |
|---------|-----------|
| SW 6534 | 90 x 140  |
| SW 6535 | 90 x 150  |
| SW 6536 | 90 x 160  |

| HYDROMASSAGE SYSTEM             | 0.900 HP MOTOR | 6 PCS SIDE HYDRO MASSAGE JET | AUTOMATIC SIPHON | 4 PCS BACK MASSAGE JET | 0.300 BLOWER MOTOR | 10 PCS AIR JET | THERAPY LAMP |
|---------------------------------|----------------|------------------------------|------------------|------------------------|--------------------|----------------|--------------|
| ⊕ HYDROMASSAGE S TANDART SYSTEM | ☑              | ☑                            | ☑                |                        |                    |                |              |
| ⊕ HYDROMASSAGE EXTRA SYSTEM     | ☑              | ☑                            | ☑                | ☑                      |                    |                |              |
| ⊕ HYDROMASSAGE ULTRA SYSTEM     | ☑              | ☑                            | ☑                | ☑                      | ☑                  | ☑              |              |
| ⊕ HYDROMASSAGE FULL SYSTEM      | ☑              | ☑                            | ☑                | ☑                      | ☑                  | ☑              | ☑            |

| HYDROMASSAGE SYSTEM             | 0.900 HP MOTOR | 6 PCS SIDE HYDRO MASSAGE JET | AUTOMATIC SIPHON | 4 PCS BACK MASSAGE JET | 0.300 BLOWER MOTOR | 10 PCS AIR JET | THERAPY LAMP |
|---------------------------------|----------------|------------------------------|------------------|------------------------|--------------------|----------------|--------------|
| ⊕ HYDROMASSAGE S TANDART SYSTEM | ☑              | ☑                            | ☑                |                        |                    |                |              |
| ⊕ HYDROMASSAGE EXTRA SYSTEM     | ☑              | ☑                            | ☑                | ☑                      |                    |                |              |
| ⊕ HYDROMASSAGE ULTRA SYSTEM     | ☑              | ☑                            | ☑                | ☑                      | ☑                  | ☑              |              |
| ⊕ HYDROMASSAGE FULL SYSTEM      | ☑              | ☑                            | ☑                | ☑                      | ☑                  | ☑              | ☑            |



BATHTUB HANDLE ( CROME )  
 BATHTUB HANDLE ( GOLD )  
 BATHTUB HEAD PILLOW (ADD-IN )  
 FOOTED HEAD PILLOW ( CROME )  
 FOOTED HEAD PILLOW ( GOLD )

FAUCET ON THE BATHTUB ( CROME )  
 FAUCET ON THE BATHTUB ( GOLD )  
 SHOWER FAUCET ON THE BATHTUB (CROME)  
 SHOWER FAUCET ON THE BATHTUB (GOLD)

FOOTED BATHTUB FAUCET ( CROME )  
 FOOTED BATHTUB FAUCET ( GOLD )  
 JACUZZI WATER LEVEL SENSOR  
 JACUZZI HEADS TABILIZER ( 1.5 KW )

BATHTUB HANDLE ( CROME )  
 BATHTUB HANDLE ( GOLD )  
 BATHTUB HEAD PILLOW (ADD-IN )  
 FOOTED HEAD PILLOW ( CROME )  
 FOOTED HEAD PILLOW ( GOLD )

FAUCET ON THE BATHTUB ( CROME )  
 FAUCET ON THE BATHTUB ( GOLD )  
 SHOWER FAUCET ON THE BATHTUB (CROME)  
 SHOWER FAUCET ON THE BATHTUB (GOLD)

FOOTED BATHTUB FAUCET ( CROME )  
 FOOTED BATHTUB FAUCET ( GOLD )  
 JACUZZI WATER LEVEL SENSOR  
 JACUZZI HEADS TABILIZER ( 1.5 KW )

## ANTERES ASIMETRİK OTURMALI KÜVET



| Code    | Size / cm | Code    | Size / cm |
|---------|-----------|---------|-----------|
| SW 6714 | 100 x 140 | SW 6716 | 100 x 160 |
| SW 6715 | 100 x 150 | SW 6717 | 100 x 170 |



## ELENA RECHTANGULAR MINI BATHTUB



| Code    | Size / cm | Code    | Size / cm |
|---------|-----------|---------|-----------|
| SW 6732 | 70 x 120  | SW 6931 | 80 x 110  |
| SW 6733 | 70 x 130  | SW 6932 | 80 x 120  |
| SW 6734 | 70 x 140  | SW 6933 | 80 x 130  |
| SW 6735 | 70 x 150  | SW 6934 | 80 x 140  |
| SW 6736 | 70 x 160  |         |           |
| SW 6737 | 70 x 170  |         |           |
| SW 6738 | 70 x 180  |         |           |



| HYDROMASSAGE SYSTEM             | 0.900 HP MOTOR | 6 PCS SIDE HYDRO MASSAGE JET | AUTOMATIC SIPHON | 4 PCS BACK MASSAGE JET | 0.300 BLOWER MOTOR | 10 PCS AIR JET | THERAPY LAMP |
|---------------------------------|----------------|------------------------------|------------------|------------------------|--------------------|----------------|--------------|
| ⊕ HYDROMASSAGE S TANDART SYSTEM | ☑              | ☑                            | ☑                | ☑                      |                    |                |              |
| ⊕ HYDROMASSAGE EXTRA SYSTEM     | ☑              | ☑                            | ☑                | ☑                      |                    |                |              |
| ⊕ HYDROMASSAGE ULTRA SYSTEM     | ☑              | ☑                            | ☑                | ☑                      | ☑                  | ☑              |              |
| ⊕ HYDROMASSAGE FULL SYSTEM      | ☑              | ☑                            | ☑                | ☑                      | ☑                  | ☑              | ☑            |

| HYDROMASSAGE SYSTEM             | 0.900 HP MOTOR | 6 PCS SIDE HYDRO MASSAGE JET | AUTOMATIC SIPHON | 4 PCS BACK MASSAGE JET | 0.300 BLOWER MOTOR | 10 PCS AIR JET | THERAPY LAMP |
|---------------------------------|----------------|------------------------------|------------------|------------------------|--------------------|----------------|--------------|
| ⊕ HYDROMASSAGE S TANDART SYSTEM | ☑              | ☑                            | ☑                | ☑                      |                    |                |              |
| ⊕ HYDROMASSAGE EXTRA SYSTEM     | ☑              | ☑                            | ☑                | ☑                      |                    |                |              |
| ⊕ HYDROMASSAGE ULTRA SYSTEM     | ☑              | ☑                            | ☑                | ☑                      | ☑                  | ☑              |              |
| ⊕ HYDROMASSAGE FULL SYSTEM      | ☑              | ☑                            | ☑                | ☑                      | ☑                  | ☑              | ☑            |



SW 6715

BATHTUB HANDLE ( CROME )  
BATHTUB HANDLE ( GOLD )  
BATHTUB HEAD PILLOW (ADD-IN )  
FOOTED HEAD PILLOW ( CROME )  
FOOTED HEAD PILLOW ( GOLD )

FAUCET ON THE BATHTUB ( CROME )  
FAUCET ON THE BATHTUB ( GOLD )  
SHOWER FAUCET ON THE BATHTUB (CROME)  
SHOWER FAUCET ON THE BATHTUB (GOLD)

FOOTED BATHTUB FAUCET ( CROME )  
FOOTED BATHTUB FAUCET ( GOLD )  
JACUZZI WATER LEVEL SENSOR  
JACUZZI HEADS TABILIZER ( 1.5 KW )

BATHTUB HANDLE ( CROME )  
BATHTUB HANDLE ( GOLD )  
BATHTUB HEAD PILLOW (ADD-IN )  
FOOTED HEAD PILLOW ( CROME )  
FOOTED HEAD PILLOW ( GOLD )

FAUCET ON THE BATHTUB ( CROME )  
FAUCET ON THE BATHTUB ( GOLD )  
SHOWER FAUCET ON THE BATHTUB (CROME)  
SHOWER FAUCET ON THE BATHTUB (GOLD)

FOOTED BATHTUB FAUCET ( CROME )  
FOOTED BATHTUB FAUCET ( GOLD )  
JACUZZI WATER LEVEL SENSOR  
JACUZZI HEADS TABILIZER ( 1.5 KW )

## ILENA RECHTANGULAR SEATED MINI BATHTUB



| Code    | Size / cm |
|---------|-----------|
| SW 6752 | 70 x 120  |
| SW 6753 | 70 x 130  |
| SW 6754 | 70 x 140  |
| SW 6755 | 70 x 150  |
| SW 6756 | 70 x 160  |
| SW 6757 | 70 x 170  |
| SW 6758 | 70 x 180  |

| Code    | Size / cm |
|---------|-----------|
| SW 6951 | 80 x 110  |
| SW 6952 | 80 x 120  |
| SW 6953 | 80 x 130  |
| SW 6954 | 80 x 140  |



## ARONA RECHTANGULAR SEATED BATHTUB



| Code    | Size / cm |
|---------|-----------|
| SW 6790 | 70 x 105  |
| SW 6792 | 70 x 120  |
| SW 6793 | 70 x 130  |
| SW 6794 | 70 x 140  |

| Code    | Size / cm |
|---------|-----------|
| SW 6795 | 70 x 150  |
| SW 6796 | 70 x 160  |
| SW 6797 | 70 x 170  |
| SW 6798 | 70 x 180  |



| HYDROMASSAGE SYSTEM             | 0.900 HP MOTOR | 6 PCS SIDE HYDRO MASSAGE JET | AUTOMATIC SIPHON | 4 PCS BACK MASSAGE JET | 0.300 BLOWER MOTOR | 10 PCS AIR JET | THERAPY LAMP |
|---------------------------------|----------------|------------------------------|------------------|------------------------|--------------------|----------------|--------------|
| ⊕ HYDROMASSAGE S TANDART SYSTEM | ☑              | ☑                            | ☑                |                        |                    |                |              |
| ⊕ HYDROMASSAGE EXTRA SYSTEM     | ☑              | ☑                            | ☑                | ☑                      |                    |                |              |
| ⊕ HYDROMASSAGE ULTRA SYSTEM     | ☑              | ☑                            | ☑                | ☑                      | ☑                  | ☑              |              |
| ⊕ HYDROMASSAGE FULL SYSTEM      | ☑              | ☑                            | ☑                | ☑                      | ☑                  | ☑              | ☑            |

| HYDROMASSAGE SYSTEM             | 0.900 HP MOTOR | 6 PCS SIDE HYDRO MASSAGE JET | AUTOMATIC SIPHON | 4 PCS BACK MASSAGE JET | 0.300 BLOWER MOTOR | 10 PCS AIR JET | THERAPY LAMP |
|---------------------------------|----------------|------------------------------|------------------|------------------------|--------------------|----------------|--------------|
| ⊕ HYDROMASSAGE S TANDART SYSTEM | ☑              | ☑                            | ☑                |                        |                    |                |              |
| ⊕ HYDROMASSAGE EXTRA SYSTEM     | ☑              | ☑                            | ☑                | ☑                      |                    |                |              |
| ⊕ HYDROMASSAGE ULTRA SYSTEM     | ☑              | ☑                            | ☑                | ☑                      | ☑                  | ☑              |              |
| ⊕ HYDROMASSAGE FULL SYSTEM      | ☑              | ☑                            | ☑                | ☑                      | ☑                  | ☑              | ☑            |



BATHTUB HANDLE ( CROME )  
 BATHTUB HANDLE ( GOLD )  
 BATHTUB HEAD PILLOW (ADD-IN )  
 FOOTED HEAD PILLOW ( CROME )  
 FOOTED HEAD PILLOW ( GOLD )

FAUCET ON THE BATHTUB ( CROME )  
 FAUCET ON THE BATHTUB ( GOLD )  
 SHOWER FAUCET ON THE BATHTUB (CROME)  
 SHOWER FAUCET ON THE BATHTUB (GOLD)

FOOTED BATHTUB FAUCET ( CROME )  
 FOOTED BATHTUB FAUCET ( GOLD )  
 JACUZZI WATER LEVEL SENSOR  
 JACUZZI HEADS TABILIZER ( 1.5 KW )

BATHTUB HANDLE ( CROME )  
 BATHTUB HANDLE ( GOLD )  
 BATHTUB HEAD PILLOW (ADD-IN )  
 FOOTED HEAD PILLOW ( CROME )  
 FOOTED HEAD PILLOW ( GOLD )

FAUCET ON THE BATHTUB ( CROME )  
 FAUCET ON THE BATHTUB ( GOLD )  
 SHOWER FAUCET ON THE BATHTUB (CROME)  
 SHOWER FAUCET ON THE BATHTUB (GOLD)

FOOTED BATHTUB FAUCET ( CROME )  
 FOOTED BATHTUB FAUCET ( GOLD )  
 JACUZZI WATER LEVEL SENSOR  
 JACUZZI HEADS TABILIZER ( 1.5 KW )

## FRILA RECHTANGULAR MINI BATHTUB



| Code    | Size / cm | Code    | Size / cm |
|---------|-----------|---------|-----------|
| SW 6612 | 70 x 120  | SW 6975 | 80 x 150  |
| SW 6613 | 70 x 130  | SW 6976 | 80 x 160  |
| SW 6614 | 70 x 140  | SW 6977 | 80 x 170  |
| SW 6615 | 70 x 150  | SW 6978 | 80 x 180  |
| SW 6616 | 70 x 160  | SW 6979 | 80 x 190  |
| SW 6617 | 70 x 170  | SW 7074 | 90 x 140  |
| SW 6618 | 70 x 180  | SW 7075 | 90 x 150  |
| SW 6835 | 75 x 150  | SW 7076 | 90 x 160  |
| SW 6836 | 75 x 160  | SW 7077 | 90 x 170  |
| SW 6837 | 75 x 170  | SW 7078 | 90 x 180  |
| SW 6838 | 75 x 180  |         |           |



## VESTA DIKDÖRTGEN OTURMALI MINI KÜVET



| Code    | Size / cm | Code    | Size / cm |
|---------|-----------|---------|-----------|
| SW 6842 | 70 x 120  | SW 6995 | 80 x 150  |
| SW 6843 | 70 x 130  | SW 6996 | 80 x 160  |
| SW 6844 | 70 x 140  | SW 6997 | 80 x 170  |
| SW 6845 | 70 x 150  | SW 6998 | 80 x 180  |
| SW 6846 | 70 x 160  | SW 6999 | 80 x 190  |
| SW 6847 | 70 x 170  | SW 7084 | 90 x 140  |
| SW 6848 | 70 x 180  | SW 7085 | 90 x 150  |
| SW 6855 | 75 x 150  | SW 7086 | 90 x 160  |
| SW 6856 | 75 x 160  | SW 7087 | 90 x 170  |
| SW 6857 | 75 x 170  | SW 7088 | 90 x 180  |
| SW 6858 | 75 x 180  |         |           |



| HYDROMASSAGE SYSTEM             | 0.900 HP MOTOR | 6 PCS SIDE HYDRO MASSAGE JET | AUTOMATIC SIPHON | 4 PCS BACK MASSAGE JET | 0.300 BLOWER MOTOR | 10 PCS AIR JET | THERAPY LAMP |
|---------------------------------|----------------|------------------------------|------------------|------------------------|--------------------|----------------|--------------|
| ⊕ HYDROMASSAGE S TANDART SYSTEM | ☑              | ☑                            | ☑                |                        |                    |                |              |
| ⊕ HYDROMASSAGE EXTRA SYSTEM     | ☑              | ☑                            | ☑                | ☑                      |                    |                |              |
| ⊕ HYDROMASSAGE ULTRA SYSTEM     | ☑              | ☑                            | ☑                | ☑                      | ☑                  | ☑              |              |
| ⊕ HYDROMASSAGE FULL SYSTEM      | ☑              | ☑                            | ☑                | ☑                      | ☑                  | ☑              | ☑            |

BATHTUB HANDLE ( CROME )  
BATHTUB HANDLE ( GOLD )  
BATHTUB HEAD PILLOW (ADD-IN )  
FOOTED HEAD PILLOW ( CROME )  
FOOTED HEAD PILLOW ( GOLD )

FAUCET ON THE BATHTUB ( CROME )  
FAUCET ON THE BATHTUB ( GOLD )  
SHOWER FAUCET ON THE BATHTUB (CROME)  
SHOWER FAUCET ON THE BATHTUB (GOLD)

FOOTED BATHTUB FAUCET ( CROME )  
FOOTED BATHTUB FAUCET ( GOLD )  
JACUZZI WATER LEVEL SENSOR  
JACUZZI HEAD STABILIZER ( 1.5 KW )

| HYDROMASSAGE SYSTEM             | 0.900 HP MOTOR | 6 PCS SIDE HYDRO MASSAGE JET | AUTOMATIC SIPHON | 4 PCS BACK MASSAGE JET | 0.300 BLOWER MOTOR | 10 PCS AIR JET | THERAPY LAMP |
|---------------------------------|----------------|------------------------------|------------------|------------------------|--------------------|----------------|--------------|
| ⊕ HYDROMASSAGE S TANDART SYSTEM | ☑              | ☑                            | ☑                |                        |                    |                |              |
| ⊕ HYDROMASSAGE EXTRA SYSTEM     | ☑              | ☑                            | ☑                | ☑                      |                    |                |              |
| ⊕ HYDROMASSAGE ULTRA SYSTEM     | ☑              | ☑                            | ☑                | ☑                      | ☑                  | ☑              |              |
| ⊕ HYDROMASSAGE FULL SYSTEM      | ☑              | ☑                            | ☑                | ☑                      | ☑                  | ☑              | ☑            |

BATHTUB HANDLE ( CROME )  
BATHTUB HANDLE ( GOLD )  
BATHTUB HEAD PILLOW (ADD-IN )  
FOOTED HEAD PILLOW ( CROME )  
FOOTED HEAD PILLOW ( GOLD )

FAUCET ON THE BATHTUB ( CROME )  
FAUCET ON THE BATHTUB ( GOLD )  
SHOWER FAUCET ON THE BATHTUB (CROME)  
SHOWER FAUCET ON THE BATHTUB (GOLD)

FOOTED BATHTUB FAUCET ( CROME )  
FOOTED BATHTUB FAUCET ( GOLD )  
JACUZZI WATER LEVEL SENSOR  
JACUZZI HEAD STABILIZER ( 1.5 KW )

## ARTMINA RECHTANGULAR BATHTUB



| Code    | Size / cm | Code    | Size / cm | Code    | Size / cm |
|---------|-----------|---------|-----------|---------|-----------|
| SW 6762 | 70 x 120  | SW 7015 | 80 x 150  | SW 7235 | 100 x 150 |
| SW 6763 | 70 x 130  | SW 7016 | 80 x 160  | SW 7296 | 100 x 160 |
| SW 6764 | 70 x 140  | SW 7017 | 80 x 170  | SW 7237 | 100 x 170 |
| SW 6765 | 70 x 150  | SW 7018 | 80 x 180  | SW 7238 | 100 x 180 |
| SW 6766 | 70 x 160  | SW 7019 | 80 x 190  |         |           |
| SW 6767 | 70 x 170  | SW 7214 | 90 x 140  |         |           |
| SW 6768 | 70 x 180  | SW 7215 | 90 x 150  |         |           |
| SW 6875 | 75 x 150  | SW 7216 | 90 x 160  |         |           |
| SW 6876 | 75 x 160  | SW 7217 | 90 x 170  |         |           |
| SW 6877 | 75 x 170  | SW 7218 | 90 x 180  |         |           |
| SW 6878 | 75 x 180  |         |           |         |           |



## TUYA RECHTANGULAR SEATED BATHTUB



| Code    | Size / cm | Code    | Size / cm |
|---------|-----------|---------|-----------|
| SW 6812 | 70 x 120  | SW 7055 | 80 x 150  |
| SW 6813 | 70 x 130  | SW 7056 | 80 x 160  |
| SW 6814 | 70 x 140  | SW 7057 | 80 x 170  |
| SW 6815 | 70 x 150  | SW 7058 | 80 x 180  |
| SW 6816 | 70 x 160  | SW 7059 | 80 x 190  |
| SW 6817 | 70 x 170  | SW 7304 | 90 x 140  |
| SW 6818 | 70 x 180  | SW 7305 | 90 x 150  |
| SW 6895 | 75 x 150  | SW 7306 | 90 x 160  |
| SW 6896 | 75 x 160  | SW 7307 | 90 x 170  |
| SW 6897 | 75 x 170  | SW 7308 | 90 x 180  |
| SW 6898 | 75 x 180  |         |           |



| HYDROMASSAGE SYSTEM             | 0.900 HP MOTOR | 6 PCS SIDE HYDRO MASSAGE JET | AUTOMATIC SIPHON | 4 PCS BACK MASSAGE JET | 0.300 BLOWER MOTOR | 10 PCS AIR JET | THERAPY LAMP |
|---------------------------------|----------------|------------------------------|------------------|------------------------|--------------------|----------------|--------------|
| ⊕ HYDROMASSAGE S TANDART SYSTEM | ☑              | ☑                            | ☑                |                        |                    |                |              |
| ⊕ HYDROMASSAGE EXTRA SYSTEM     | ☑              | ☑                            | ☑                | ☑                      |                    |                |              |
| ⊕ HYDROMASSAGE ULTRA SYSTEM     | ☑              | ☑                            | ☑                | ☑                      | ☑                  | ☑              |              |
| ⊕ HYDROMASSAGE FULL SYSTEM      | ☑              | ☑                            | ☑                | ☑                      | ☑                  | ☑              | ☑            |

BATHTUB HANDLE ( CROME )  
 BATHTUB HANDLE ( GOLD )  
 BATHTUB HEAD PILLOW (ADD-IN )  
 FOOTED HEAD PILLOW ( CROME )  
 FOOTED HEAD PILLOW ( GOLD )

FAUCET ON THE BATHTUB ( CROME )  
 FAUCET ON THE BATHTUB ( GOLD )  
 SHOWER FAUCET ON THE BATHTUB (CROME)  
 SHOWER FAUCET ON THE BATHTUB (GOLD)

FOOTED BATHTUB FAUCET ( CROME )  
 FOOTED BATHTUB FAUCET ( GOLD )  
 JACUZZI WATER LEVEL SENSOR  
 JACUZZI HEADS TABILIZER ( 1.5 KW )

| HYDROMASSAGE SYSTEM             | 0.900 HP MOTOR | 6 PCS SIDE HYDRO MASSAGE JET | AUTOMATIC SIPHON | 4 PCS BACK MASSAGE JET | 0.300 BLOWER MOTOR | 10 PCS AIR JET | THERAPY LAMP |
|---------------------------------|----------------|------------------------------|------------------|------------------------|--------------------|----------------|--------------|
| ⊕ HYDROMASSAGE S TANDART SYSTEM | ☑              | ☑                            | ☑                |                        |                    |                |              |
| ⊕ HYDROMASSAGE EXTRA SYSTEM     | ☑              | ☑                            | ☑                | ☑                      |                    |                |              |
| ⊕ HYDROMASSAGE ULTRA SYSTEM     | ☑              | ☑                            | ☑                | ☑                      | ☑                  | ☑              |              |
| ⊕ HYDROMASSAGE FULL SYSTEM      | ☑              | ☑                            | ☑                | ☑                      | ☑                  | ☑              | ☑            |

BATHTUB HANDLE ( CROME )  
 BATHTUB HANDLE ( GOLD )  
 BATHTUB HEAD PILLOW (ADD-IN )  
 FOOTED HEAD PILLOW ( CROME )  
 FOOTED HEAD PILLOW ( GOLD )

FAUCET ON THE BATHTUB ( CROME )  
 FAUCET ON THE BATHTUB ( GOLD )  
 SHOWER FAUCET ON THE BATHTUB (CROME)  
 SHOWER FAUCET ON THE BATHTUB (GOLD)

FOOTED BATHTUB FAUCET ( CROME )  
 FOOTED BATHTUB FAUCET ( GOLD )  
 JACUZZI WATER LEVEL SENSOR  
 JACUZZI HEADS TABILIZER ( 1.5 KW )

## TAHY DİKDÖRTGEN OTURLMALI KÜVET



| Code    | Size / cm | Code    | Size / cm |
|---------|-----------|---------|-----------|
| SW 7060 | 80 x 200  | SW 7310 | 90 x 200  |
| SW 7309 | 90 x 190  |         |           |



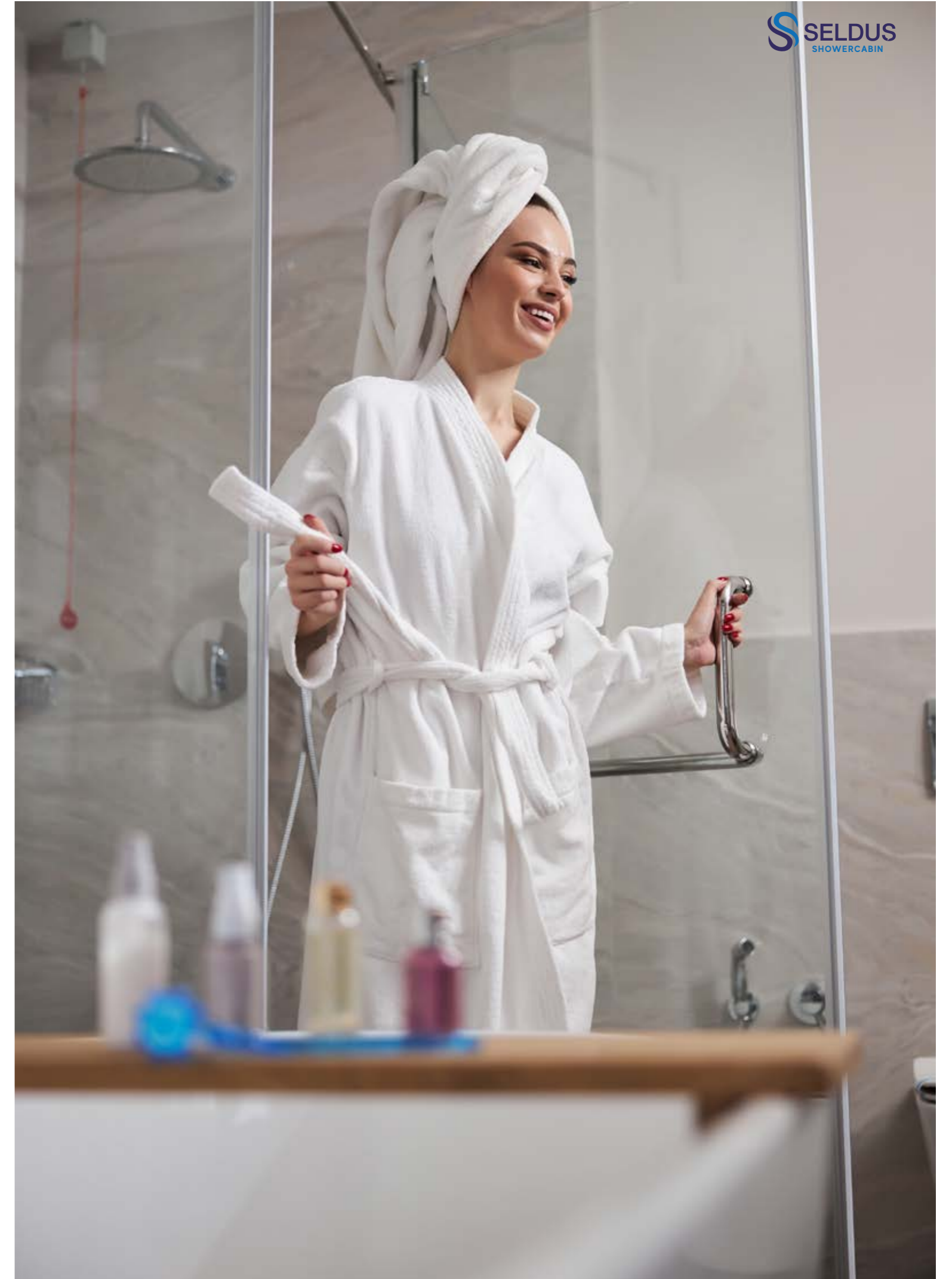
| HYDROMASSAGE SYSTEM             | 0 900 HP MOTOR | 6 PCS SIDE HYDRO MASSAGE JET | AUTOMATIC SIPHON | 4 PCS BACK MASSAGE JET | 0.300 BLOWER MOTOR | 10 PCS AIR JET | THERAPY LAMP |
|---------------------------------|----------------|------------------------------|------------------|------------------------|--------------------|----------------|--------------|
| ⊕ HYDROMASSAGE S TANDART SYSTEM | ☑              | ☑                            | ☑                |                        |                    |                |              |
| ⊕ HYDROMASSAGE EXTRA SYSTEM     | ☑              | ☑                            | ☑                | ☑                      |                    |                |              |
| ⊕ HYDROMASSAGE ULTRA SYSTEM     | ☑              | ☑                            | ☑                | ☑                      | ☑                  | ☑              |              |
| ⊕ HYDROMASSAGE FULL SYSTEM      | ☑              | ☑                            | ☑                | ☑                      | ☑                  | ☑              | ☑            |



BATHTUB HANDLE ( CROME )  
BATHTUB HANDLE ( GOLD )  
BATHTUB HEAD PILLOW (ADD-IN )  
FOOTED HEAD PILLOW ( CROME )  
FOOTED HEAD PILLOW ( GOLD )

FAUCET ON THE BATHTUB ( CROME )  
FAUCET ON THE BATHTUB ( GOLD )  
SHOWER FAUCET ON THE BATHTUB (CROME)  
SHOWER FAUCET ON THE BATHTUB (GOLD)

FOOTED BATHTUB FAUCET ( CROME )  
FOOTED BATHTUB FAUCET ( GOLD )  
JACUZZI WATER LEVEL SENSOR  
JACUZZI HEADS TABILIZER ( 1.5 KW )







AKRİLİK DUŞ TEKNELERİ

## VIOLET OVAL SEATED SHOWER TRAY



| Code    | Size / cm | Code    | Size / cm |
|---------|-----------|---------|-----------|
| SW 8005 | 70 x 70   | SW 8010 | 95 x 95   |
| SW 8006 | 75 x 75   | SW 8011 | 100 x 100 |
| SW 8007 | 80 x 80   | SW 8013 | 110 x 110 |
| SW 8008 | 85 x 85   | SW 8015 | 120 x 120 |
| SW 8009 | 90 x 90   | SW 8017 | 130 x 130 |

| Code     | Size / cm |
|----------|-----------|
| ART 8028 | 70 x 70   |
| ART 8029 | 75 x 75   |
| ART 8030 | 80 x 80   |
| ART 8031 | 85 x 85   |
| ART 8032 | 90 x 90   |
| ART 8033 | 95 x 95   |
| ART 8034 | 100 x 100 |
| ART 8036 | 110 x 110 |
| ART 8038 | 120 x 120 |

### LONDRA

#### OVAL SHOWER TRAY

Siphon side is in the **middle** for code product SW 8005-8006-8007-8011-8013-8015-8017  
 Siphon side is on the **right** for code product SW 8008-8009-8010.

- Color options are red and black. - It can be produced in body color + Panel white, Body color + Panel color.

## MILET OVAL SEATED SHOWER TRAY



| Code    | Size / cm | Code    | Size / cm |
|---------|-----------|---------|-----------|
| SW 8129 | 90 x 90   | SW 8133 | 110 x 110 |
| SW 8131 | 100 x 100 | SW 8135 | 120 x 120 |



Siphon side is in the **middle** for code product SW 8131-SW 8133.  
 Siphon side is on the **right** for code product SW 8129-8135.

- Color options are red and black. - It can be produced in body color + Panel white, Body color + Panel color.

## MARISSA ASYMMETRIC SHOWER TRAY



| Code    | Size / cm |
|---------|-----------|
| SW 8160 | 70 x 100  |
| SW 8161 | 70 x 110  |
| SW 8162 | 70 x 120  |
| SW 8163 | 70 x 130  |
| SW 8279 | 80 x 90   |
| SW 8280 | 80 x 100  |
| SW 8281 | 80 x 110  |
| SW 8282 | 80 x 120  |
| SW 8283 | 80 x 130  |
| SW 8284 | 80 x 140  |
| SW 8285 | 80 x 150  |

| Code    | Size / cm |
|---------|-----------|
| SW 8286 | 80 x 160  |
| SW 8420 | 90 x 100  |
| SW 8421 | 90 x 110  |
| SW 8422 | 90 x 120  |
| SW 8423 | 90 x 130  |
| SW 8424 | 90 x 140  |
| SW 8425 | 90 x 150  |
| SW 8426 | 90 x 160  |
| SW 8432 | 100 x 120 |
| SW 8433 | 100 x 130 |
| SW 8434 | 100 x 140 |



**HELSINKI**  
ASYMMETRIC  
SHOWER TRAY

15 HEIGHT, ECO FRIENDLY, COLOR OPTION, SPECIAL SIPHO N

| Code     | Size / cm |
|----------|-----------|
| ART 8160 | 70 x 100  |
| ART 8279 | 80 x 90   |
| ART 8280 | 80 x 100  |
| ART 8281 | 80 x 110  |
| ART 8282 | 80 x 120  |
| ART 8283 | 80 x 130  |
| ART 8284 | 80 x 140  |
| ART 8285 | 80 x 150  |
| ART 8286 | 80 x 160  |
| ART 8420 | 90 x 100  |
| ART 8421 | 90 x 110  |
| ART 8422 | 90 x 120  |
| ART 8423 | 90 x 130  |



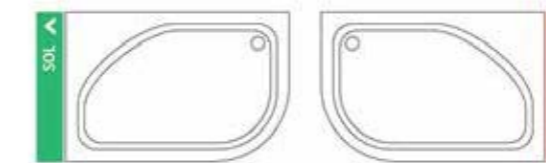
- Color options are red and black. - It can be produced in body color + Panel white, Body color + Panel color.

## PUNO ASYMMETRIC SEATED SHOWER TRAY



| Code    | Size / cm |
|---------|-----------|
| SW 8590 | 80 x 100  |
| SW 8591 | 80 x 110  |
| SW 8592 | 80 x 120  |

| Code    | Size / cm |
|---------|-----------|
| SW 8670 | 90 x 100  |
| SW 8671 | 90 x 110  |
| SW 8672 | 90 x 120  |
| SW 8673 | 90 x 130  |



- Color options are red and black. - It can be produced in body color + Panel white, Body color + Panel color.

## CARISMA SQUARE SHOWER TRAY



| Code    | Size / cm | Code    | Size / cm |
|---------|-----------|---------|-----------|
| SW 8690 | 70 x 70   | SW 8694 | 90 x 90   |
| SW 8691 | 75 x 75   | SW 8695 | 95 x 95   |
| SW 8692 | 80 x 80   | SW 8696 | 100 x 100 |
| SW 8693 | 85 x 85   | SW 8698 | 110 x 110 |

| Code     | Size / cm |
|----------|-----------|
| ART 8690 | 70 x 70   |
| ART 8691 | 75 x 75   |
| ART 8692 | 80 x 80   |
| ART 8693 | 85 x 85   |
| ART 8694 | 90 x 90   |
| ART 8695 | 95 x 95   |
| ART 8696 | 100 x 100 |
| ART 8698 | 110 x 110 |

### PANAMA SQUARE SHOWER TRAY

- Color options are red and black. - It can be produced in body color + Panel white, Body color + Panel color.

## BETA RECTANGULAR SHOWER TRAY



| Code    | Size / cm | Code    | Size / cm |
|---------|-----------|---------|-----------|
| SW 8748 | 70 x 80   | SW 8993 | 80 x 130  |
| SW 8749 | 70 x 90   | SW 8994 | 80 x 140  |
| SW 8750 | 70 x 100  | SW 8995 | 80 x 150  |
| SW 8751 | 70 x 110  | SW 8996 | 80 x 160  |
| SW 8752 | 70 x 120  | SW 8997 | 80 x 170  |
| SW 8753 | 70 x 130  | SW 8998 | 80 x 180  |
| SW 8754 | 70 x 140  | SW 9230 | 85 x 100  |
| SW 8755 | 70 x 150  | SW 9231 | 85 x 110  |
| SW 8756 | 70 x 160  | SW 9232 | 85 x 120  |
| SW 8757 | 70 x 170  | SW 9350 | 90 x 100  |
| SW 8758 | 70 x 180  | SW 9351 | 90 x 110  |
| SW 8869 | 75 x 90   | SW 9352 | 90 x 120  |
| SW 8870 | 75 x 100  | SW 9353 | 90 x 130  |
| SW 8871 | 75 x 110  | SW 9354 | 90 x 140  |
| SW 8872 | 75 x 120  | SW 9355 | 90 x 150  |
| SW 8873 | 75 x 130  | SW 9356 | 90 x 160  |
| SW 8874 | 75 x 140  | SW 9357 | 90 x 170  |
| SW 8875 | 75 x 150  | SW 9358 | 90 x 180  |
| SW 8876 | 75 x 160  | SW 9359 | 90 x 190  |
| SW 8877 | 75 x 170  | SW 9580 | 100 x 110 |
| SW 8878 | 75 x 180  | SW 9581 | 100 x 115 |
| SW 8989 | 80 x 90   | SW 9582 | 100 x 120 |
| SW 8990 | 80 x 100  | SW 9583 | 100 x 130 |
| SW 8991 | 80 x 110  | SW 9584 | 100 x 140 |
| SW 8992 | 80 x 120  | SW 9585 | 100 x 150 |
|         |           | SW 9586 | 100 x 160 |

### SINGAPUR RECTANGULAR SHOWER TRAY

| Code     | Size / cm | Code     | Size / cm |
|----------|-----------|----------|-----------|
| ART 8748 | 70 x 80   | ART 8993 | 80 x 130  |
| ART 8749 | 70 x 90   | ART 8994 | 80 x 140  |
| ART 8750 | 70 x 100  | ART 8995 | 80 x 150  |
| ART 8751 | 70 x 110  | ART 8996 | 80 x 160  |
| ART 8752 | 70 x 120  | ART 8997 | 80 x 170  |
| ART 8753 | 70 x 130  | ART 8998 | 80 x 180  |
| ART 8754 | 70 x 140  | ART 9230 | 85 x 100  |
| ART 8755 | 70 x 150  | ART 9231 | 85 x 110  |
| ART 8756 | 70 x 160  | ART 9232 | 85 x 120  |
| ART 8757 | 70 x 170  | ART 9350 | 90 x 100  |
| ART 8758 | 70 x 180  | ART 9351 | 90 x 110  |
| ART 8869 | 75 x 90   | ART 9352 | 90 x 120  |
| ART 8870 | 75 x 100  | ART 9353 | 90 x 130  |
| ART 8871 | 75 x 110  | ART 9354 | 90 x 140  |
| ART 8872 | 75 x 120  | ART 9355 | 90 x 150  |
| ART 8873 | 75 x 130  | ART 9356 | 90 x 160  |
| ART 8874 | 75 x 140  | ART 9357 | 90 x 170  |
| ART 8875 | 75 x 150  | ART 9358 | 90 x 180  |
| ART 8876 | 75 x 160  | ART 9359 | 90 x 190  |
| ART 8877 | 75 x 170  | ART 9580 | 100 x 110 |
| ART 8878 | 75 x 180  | ART 9582 | 100 x 120 |
| ART 8989 | 80 x 90   | ART 9583 | 100 x 130 |
| ART 8990 | 80 x 100  | ART 9584 | 100 x 140 |
| ART 8991 | 80 x 110  | ART 9585 | 100 x 150 |
| ART 8992 | 80 x 120  | ART 9586 | 100 x 160 |

## BATURA PENTEGON SHOWER TRAY

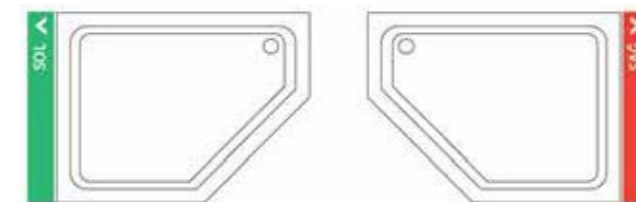


| Code    | Size / cm | Code    | Size / cm |
|---------|-----------|---------|-----------|
| SW 9819 | 90 x 90   | SW 9820 | 100 x 100 |

## EDGE PENTEGONAL RHT LEFT SHOWER TRAY



| Code    | Size / cm | Code    | Size / cm |
|---------|-----------|---------|-----------|
| SW 9900 | 90 x 120  | SW 9902 | 90 x 140  |
| SW 9901 | 90 x 130  |         |           |



- Color options are red and black. - It can be produced in body color + Panel white, Body color + Panel color.

- Color options are red and black. - It can be produced in body color + Panel white, Body color + Panel color.

## NUVA RECTANGULAR SEATED SHOWER TRAY



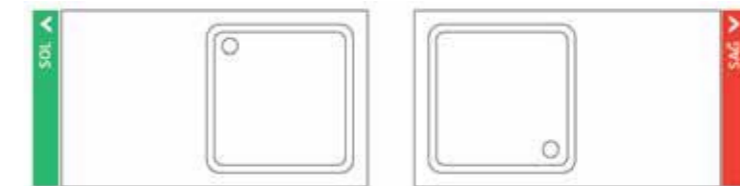
| Code    | Size / cm | Code    | Size / cm |
|---------|-----------|---------|-----------|
| SW 8770 | 70 x 100  | SW 9014 | 80 x 140  |
| SW 8771 | 70 x 110  | SW 9015 | 80 x 150  |
| SW 8772 | 70 x 120  | SW 9016 | 80 x 160  |
| SW 8773 | 70 x 130  | SW 9370 | 90 x 100  |
| SW 8774 | 70 x 140  | SW 9371 | 90 x 110  |
| SW 8775 | 70 x 150  | SW 9372 | 90 x 120  |
| SW 8776 | 70 x 160  | SW 9373 | 90 x 130  |
| SW 9010 | 80 x 100  | SW 9374 | 90 x 140  |
| SW 9011 | 80 x 110  | SW 9375 | 90 x 150  |
| SW 9012 | 80 x 120  | SW 9376 | 90 x 160  |
| SW 9013 | 80 x 130  |         |           |

- Color options are red and black. - It can be produced in body color + Panel white, Body color + Panel color.

## BEAM CUSTOM CUT SHOWER TRAY



| Code    | Size / cm | Code    | Size / cm |
|---------|-----------|---------|-----------|
| SW 9928 | 70 x 140  | SW 9931 | 80 x 190  |
| SW 9929 | 70 x 190  | SW 9932 | 90 x 140  |
| SW 9930 | 80 x 140  | SW 9933 | 90 x 190  |



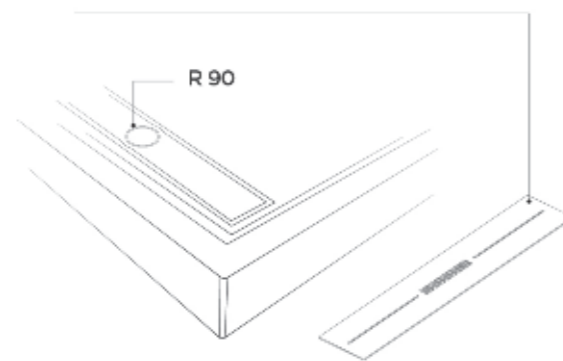
- Color options are red and black. - It can be produced in body color + Panel white, Body color + Panel color.

## DROP OVAL PANEL SHOWER TRAY



| Code     | Size / cm | Code     | Size / cm |
|----------|-----------|----------|-----------|
| DRO 8007 | 80 x 80   | DRO 8011 | 100 x 100 |
| DRO 8009 | 90 x 90   |          |           |

Paslanmaz tahliye gider kapağı



- Color options are red and black. - It can be produced in body color + Panel white, Body color + Panel color.

## DROP SQUARE PANEL SHOWER TRAY



| Code     | Size / cm | Code     | Size / cm |
|----------|-----------|----------|-----------|
| DRO 8692 | 80 x 80   | DRO 8696 | 100 x 100 |
| DRO 8694 | 90 x 90   |          |           |



## DROP RECTANGULAR PANEL SHOWER TRAY



| Code     | Size / cm | Code     | Size / cm |
|----------|-----------|----------|-----------|
| DRO 8752 | 70 x 120  | DRO 8992 | 80 x 120  |
| DRO 8753 | 70 x 130  | DRO 8993 | 80 x 130  |
| DRO 8754 | 70 x 140  | DRO 8994 | 80 x 140  |
| DRO 8755 | 70 x 150  | DRO 8995 | 80 x 150  |
| DRO 8756 | 70 x 160  | DRO 8996 | 80 x 160  |
| DRO 8757 | 70 x 170  | DRO 8997 | 80 x 170  |
| DRO 8758 | 70 x 180  | DRO 8998 | 80 x 180  |
| DRO 8872 | 75 x 120  | DRO 9352 | 90 x 120  |
| DRO 8873 | 75 x 130  | DRO 9353 | 90 x 130  |
| DRO 8874 | 75 x 140  | DRO 9354 | 90 x 140  |
| DRO 8875 | 75 x 150  | DRO 9355 | 90 x 150  |
| DRO 8876 | 75 x 160  | DRO 9356 | 90 x 160  |
| DRO 8877 | 75 x 170  | DRO 9357 | 90 x 170  |
| DRO 8878 | 75 x 180  | DRO 9358 | 90 x 180  |

## BAFFY OVAL MONOBLOCK SHOWER TRAY



| Code    | Size / cm | Code    | Size / cm |
|---------|-----------|---------|-----------|
| SW 8045 | 70 x 70   | SW 8050 | 95 x 95   |
| SW 8046 | 75 x 75   | SW 8051 | 100 x 100 |
| SW 8047 | 80 x 80   | SW 8053 | 110 x 110 |
| SW 8048 | 85 x 85   | SW 8055 | 120 x 120 |
| SW 8049 | 90 x 90   | SW 8057 | 130 x 130 |

SW 8045 - 8046 - 8047 - 8051 - 8053 - 8055 - 8057 the flush location of coded products is in the middle  
 SW 8048 - 8049 - 8050-the flush location of coded products is on the right  
 color options are red and black.

## CORAL SQUARA MONOBLOCK SHOWER TRAY



| Code    | Size / cm | Code    | Size / cm |
|---------|-----------|---------|-----------|
| SW 8710 | 70 x 70   | SW 8714 | 90 x 90   |
| SW 8711 | 75 x 75   | SW 8715 | 95 x 95   |
| SW 8712 | 80 x 80   | SW 8716 | 100 x 100 |
| SW 8713 | 85 x 85   | SW 8718 | 110 x 110 |

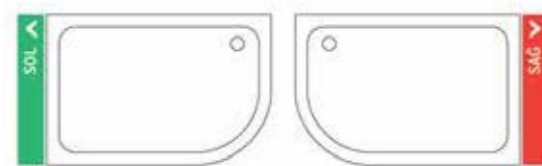
color options are red and black.



## ANNA ASYMMETRIC MONOBLOCK SHOWER TRAY



| Code    | Size / cm | Code    | Size / cm |
|---------|-----------|---------|-----------|
| SW 8180 | 70 x 100  | SW 8306 | 80 x 160  |
| SW 8181 | 70 x 110  | SW 8440 | 90 x 100  |
| SW 8182 | 70 x 120  | SW 8441 | 90 x 110  |
| SW 8183 | 70 x 130  | SW 8442 | 90 x 120  |
| SW 8299 | 80 x 90   | SW 8443 | 90 x 130  |
| SW 8300 | 80 x 100  | SW 8444 | 90 x 140  |
| SW 8301 | 80 x 110  | SW 8445 | 90 x 150  |
| SW 8302 | 80 x 120  | SW 8446 | 90 x 160  |
| SW 8303 | 80 x 130  | SW 8452 | 100 x 120 |
| SW 8304 | 80 x 140  | SW 8453 | 100 x 130 |
| SW 8305 | 80 x 150  | SW 8454 | 100 x 140 |



color options are red and black.

## RIVA RECTANGULAR MONOBLOCK SHOWER TRAY



| Code    | Size / cm | Code    | Size / cm |
|---------|-----------|---------|-----------|
| SW 8788 | 70 x 80   | SW 9033 | 80 x 130  |
| SW 8789 | 70 x 90   | SW 9034 | 80 x 140  |
| SW 8790 | 70 x 100  | SW 9035 | 80 x 150  |
| SW 8791 | 70 x 110  | SW 9036 | 80 x 160  |
| SW 8792 | 70 x 120  | SW 9037 | 80 x 170  |
| SW 8793 | 70 x 130  | SW 9038 | 80 x 180  |
| SW 8794 | 70 x 140  | SW 9039 | 85 x 100  |
| SW 8795 | 70 x 150  | SW 9270 | 85 x 110  |
| SW 8796 | 70 x 160  | SW 9272 | 85 x 120  |
| SW 8797 | 70 x 170  | SW 9390 | 90 x 100  |
| SW 8798 | 70 x 180  | SW 9391 | 90 x 110  |
| SW 8909 | 75 x 90   | SW 9392 | 90 x 120  |
| SW 8910 | 75 x 100  | SW 9393 | 90 x 130  |
| SW 8911 | 75 x 110  | SW 9394 | 90 x 140  |
| SW 8912 | 75 x 120  | SW 9395 | 90 x 150  |
| SW 8913 | 75 x 130  | SW 9396 | 90 x 160  |
| SW 8914 | 75 x 140  | SW 9397 | 90 x 170  |
| SW 8915 | 75 x 150  | SW 9398 | 90 x 180  |
| SW 8916 | 75 x 160  | SW 9399 | 90 x 190  |
| SW 8917 | 75 x 170  | SW 9620 | 100 x 110 |
| SW 8918 | 75 x 180  | SW 9621 | 100 x 115 |
| SW 9029 | 80 x 90   | SW 9622 | 100 x 120 |
| SW 9030 | 80 x 100  | SW 9623 | 100 x 130 |
| SW 9031 | 80 x 110  | SW 9624 | 100 x 140 |
| SW 9032 | 80 x 120  | SW 9625 | 100 x 150 |
|         |           | SW 9626 | 100 x 160 |

# ALBERT PENTEGON MONOBLOCK SHOWER TRAY



12.5  
HEIGHT

eco  
ECO FRIENDLY

COLOR OPTION

| Code    | Size / cm | Code    | Size / cm |
|---------|-----------|---------|-----------|
| SW 9839 | 90 x 90   | SW 9840 | 100 x 100 |

color options are red and black.

# BRIEF PENTAGONAL RIGHT LEFT MONOBLOCK SHOWER TRAY

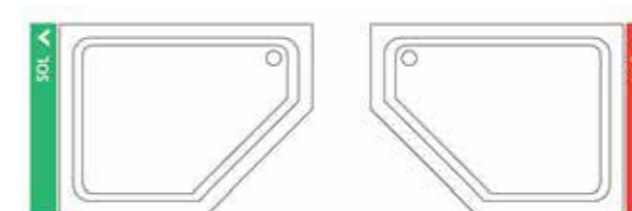


12.5  
HEIGHT

eco  
ECO FRIENDLY

COLOR OPTION

| Code    | Size / cm | Code    | Size / cm |
|---------|-----------|---------|-----------|
| SW 9910 | 90 x 120  | SW 9912 | 90 x 140  |
| SW 9911 | 90 x 130  |         |           |



color options are red and black.

## BIANNA RECTANGULAR SEATED MONOBLOCK SHOWER TRAY

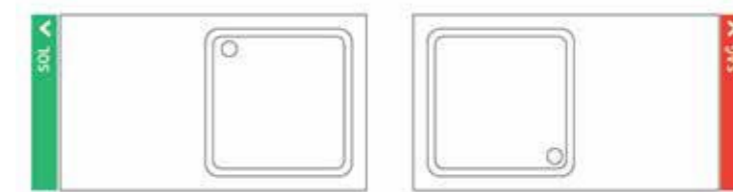


| Code    | Size / cm | Code    | Size / cm |
|---------|-----------|---------|-----------|
| SW 8810 | 70 x 100  | SW 9054 | 80 x 140  |
| SW 8811 | 70 x 110  | SW 9055 | 80 x 150  |
| SW 8812 | 70 x 120  | SW 9056 | 80 x 160  |
| SW 8813 | 70 x 130  | SW 9410 | 90 x 100  |
| SW 8814 | 70 x 140  | SW 9411 | 90 x 110  |
| SW 8815 | 70 x 150  | SW 9412 | 90 x 120  |
| SW 8816 | 70 x 160  | SW 9413 | 90 x 130  |
| SW 9050 | 80 x 100  | SW 9414 | 90 x 140  |
| SW 9051 | 80 x 110  | SW 9415 | 90 x 150  |
| SW 9052 | 80 x 120  | SW 9416 | 90 x 160  |
| SW 9053 | 80 x 130  |         |           |

## JAVA CUSTOM CUT MONOBLOCK SHOWER TRAY



| Code    | Size / cm | Code    | Size / cm |
|---------|-----------|---------|-----------|
| SW 9938 | 70 x 140  | SW 9941 | 80 x 190  |
| SW 9939 | 70 x 190  | SW 9942 | 90 x 140  |
| SW 9940 | 80 x 140  | SW 9943 | 90 x 190  |



color options are red and black.

## DROP SQUARA MONOBLOCK SHOWER TRAY



| Code     | Size / cm | Code     | Size / cm |
|----------|-----------|----------|-----------|
| DRO 8712 | 80 x 80   | DRO 8716 | 100 x 100 |
| DRO 8714 | 90 x 90   |          |           |



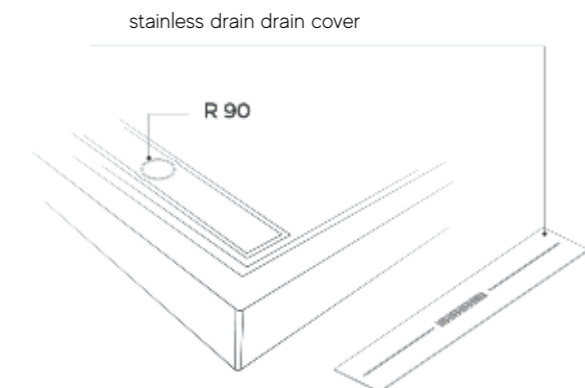
| Kod      | Ölçü / cm | Kod      | Ölçü / cm |
|----------|-----------|----------|-----------|
| DRO 8732 | 80 x 80   | DRO 8736 | 100 x 100 |
| DRO 8734 | 90 x 90   |          |           |

## DROP RECTANGULAR MONOBLOCK SHOWER TRAY



| Code     | Size / cm | Code     | Size / cm |
|----------|-----------|----------|-----------|
| DRO 8792 | 70 x 120  | DRO 9032 | 80 x 120  |
| DRO 8793 | 70 x 130  | DRO 9033 | 80 x 130  |
| DRO 8794 | 70 x 140  | DRO 9034 | 80 x 140  |
| DRO 8795 | 70 x 150  | DRO 9035 | 80 x 150  |
| DRO 8796 | 70 x 160  | DRO 9036 | 80 x 160  |
| DRO 8797 | 70 x 170  | DRO 9037 | 80 x 170  |
| DRO 8798 | 70 x 180  | DRO 9038 | 80 x 180  |
| DRO 8912 | 75 x 120  | DRO 9392 | 90 x 120  |
| DRO 8913 | 75 x 130  | DRO 9393 | 90 x 130  |
| DRO 8914 | 75 x 140  | DRO 9394 | 90 x 140  |
| DRO 8915 | 75 x 150  | DRO 9395 | 90 x 150  |
| DRO 8916 | 75 x 160  | DRO 9396 | 90 x 160  |
| DRO 8917 | 75 x 170  | DRO 9397 | 90 x 170  |
| DRO 8918 | 75 x 180  | DRO 9398 | 90 x 180  |

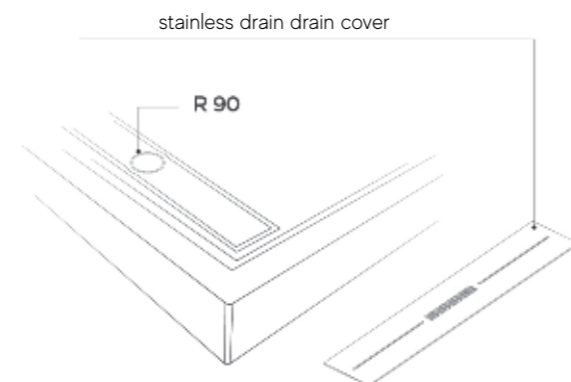
! applied on ceramic



## DROP RECTANGULAR MONOBLOCK SHOWER TRAY



| Code     | Size / cm | Code     | Size / cm |
|----------|-----------|----------|-----------|
| DRO 8832 | 70 x 120  | DRO 9072 | 80 x 120  |
| DRO 8833 | 70 x 130  | DRO 9073 | 80 x 130  |
| DRO 8834 | 70 x 140  | DRO 9074 | 80 x 140  |
| DRO 8835 | 70 x 150  | DRO 9075 | 80 x 150  |
| DRO 8836 | 70 x 160  | DRO 9076 | 80 x 160  |
| DRO 8837 | 70 x 170  | DRO 9077 | 80 x 170  |
| DRO 8838 | 70 x 180  | DRO 9078 | 80 x 180  |
| DRO 8952 | 75 x 120  | DRO 9432 | 90 x 120  |
| DRO 8953 | 75 x 130  | DRO 9433 | 90 x 130  |
| DRO 8954 | 75 x 140  | DRO 9434 | 90 x 140  |
| DRO 8955 | 75 x 150  | DRO 9435 | 90 x 150  |
| DRO 8956 | 75 x 160  | DRO 9436 | 90 x 160  |
| DRO 8957 | 75 x 170  | DRO 9437 | 90 x 170  |
| DRO 8958 | 75 x 180  | DRO 9438 | 90 x 180  |



## DROP OVAL MONOBLOCK SHOWER TRAY



| Code     | Size / cm | Code     | Size / cm |
|----------|-----------|----------|-----------|
| DRO 8047 | 80 x 80   | DRO 8051 | 100 x 100 |
| DRO 8049 | 90 x 90   |          |           |



**DROP  
OVAL MONOBLOCK  
SHOWER TRAY**

| Code     | Size / cm | Code     | Size / cm |
|----------|-----------|----------|-----------|
| DRO 8087 | 80 x 80   | DRO 8091 | 100 x 100 |
| DRO 8089 | 90 x 90   |          |           |

## FREY OVAL SLIMLOK SHOWER TRAY



| Code     | Size / cm | Code     | Size / cm |
|----------|-----------|----------|-----------|
| FRY 8047 | 80 x 80   | FRY 8051 | 100 x 100 |
| FRY 8049 | 90 x 90   |          |           |



| Code     | Size / cm | Code     | Size / cm |
|----------|-----------|----------|-----------|
| FRY 8712 | 80 x 80   | FRY 8716 | 100 x 100 |
| FRY 8714 | 90 x 90   |          |           |

FRY 8147 - FRY 8051 the flush location of coded products is in the middle  
 FRY 147 -the flush location of coded products is on the right  
 color options are red and black.

## FREY RECTANGULAR SLIMLOK SHOWER TRAY



| Code     | Size / cm | Code     | Size / cm |
|----------|-----------|----------|-----------|
| FRY 9029 | 80 x 90   | FRY 9034 | 80 x 140  |
| FRY 9030 | 80 x 100  | FRY 9035 | 80 x 150  |
| FRY 9031 | 80 x 110  | FRY 9036 | 80 x 160  |
| FRY 9032 | 80 x 120  | FRY 9037 | 80 x 170  |
| FRY 9033 | 80 x 130  | FRY 9038 | 80 x 180  |

color options are red and black.

## BAFFIN OVAL FLAT SHOWER TRAY



| Code    | Size / cm | Code    | Size / cm |
|---------|-----------|---------|-----------|
| SW 8085 | 70 x 70   | SW 8090 | 95 x 95   |
| SW 8086 | 75 x 75   | SW 8091 | 100 x 100 |
| SW 8087 | 80 x 80   | SW 8093 | 110 x 110 |
| SW 8088 | 85 x 85   | SW 8095 | 120 x 120 |
| SW 8089 | 90 x 90   | SW 8097 | 130 x 130 |

SW 8085 - 8086 - 8087 - 8091 - 8093 - 8095 - 8097 the flush location of coded products is in the middle  
 SW 8088 - 8089 - 8090 the flush location of coded products is on the tight  
 color options are red and black. there is a %60 price difference for flat shower trays.

## BOTHINA SQUARE FLAT SHOWER TRAY



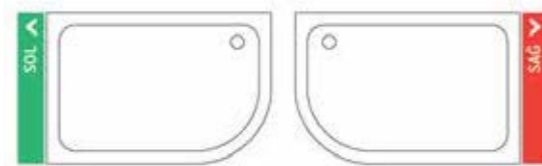
| Code    | Size / cm | Code    | Size / cm |
|---------|-----------|---------|-----------|
| SW 8730 | 70 x 70   | SW 8734 | 90 x 90   |
| SW 8731 | 75 x 75   | SW 8735 | 95 x 95   |
| SW 8732 | 80 x 80   | SW 8736 | 100 x 100 |
| SW 8733 | 85 x 85   | SW 8738 | 110 x 110 |

color options are red and black.

## ALLISON ASYMMETRIC FLAT SHOWER TRAY



| Code    | Size / cm | Code    | Size / cm |
|---------|-----------|---------|-----------|
| SW 8200 | 70 x 100  | SW 8336 | 80 x 160  |
| SW 8201 | 70 x 110  | SW 8460 | 90 x 100  |
| SW 8202 | 70 x 120  | SW 8461 | 90 x 110  |
| SW 8203 | 70 x 130  | SW 8462 | 90 x 120  |
| SW 8329 | 80 x 90   | SW 8463 | 90 x 130  |
| SW 8330 | 80 x 100  | SW 8464 | 90 x 140  |
| SW 8331 | 80 x 110  | SW 8465 | 90 x 150  |
| SW 8332 | 80 x 120  | SW 8466 | 90 x 160  |
| SW 8333 | 80 x 130  | SW 8472 | 100 x 120 |
| SW 8334 | 80 x 140  | SW 8473 | 100 x 130 |
| SW 8335 | 80 x 150  | SW 8474 | 100 x 140 |



color options are red and black.

## RIGEL RECTANGULAR FLAT SHOWER TRAY



| Code    | Size / cm | Code    | Size / cm |
|---------|-----------|---------|-----------|
| SW 8828 | 70 x 80   | SW 9073 | 80 x 130  |
| SW 8829 | 70 x 90   | SW 9074 | 80 x 140  |
| SW 8830 | 70 x 100  | SW 9075 | 80 x 150  |
| SW 8831 | 70 x 110  | SW 9076 | 80 x 160  |
| SW 8832 | 70 x 120  | SW 9077 | 80 x 170  |
| SW 8833 | 70 x 130  | SW 9078 | 80 x 180  |
| SW 8834 | 70 x 140  | SW 9310 | 85 x 100  |
| SW 8835 | 70 x 150  | SW 9311 | 85 x 110  |
| SW 8836 | 70 x 160  | SW 9312 | 85 x 120  |
| SW 8837 | 70 x 170  | SW 9430 | 90 x 100  |
| SW 8838 | 70 x 180  | SW 9431 | 90 x 110  |
| SW 8949 | 75 x 90   | SW 9432 | 90 x 120  |
| SW 8950 | 75 x 100  | SW 9433 | 90 x 130  |
| SW 8951 | 75 x 110  | SW 9434 | 90 x 140  |
| SW 8952 | 75 x 120  | SW 9435 | 90 x 150  |
| SW 8953 | 75 x 130  | SW 9436 | 90 x 160  |
| SW 8954 | 75 x 140  | SW 9437 | 90 x 170  |
| SW 8955 | 75 x 150  | SW 9438 | 90 x 180  |
| SW 8956 | 75 x 160  | SW 9439 | 90 x 190  |
| SW 8957 | 75 x 170  | SW 9660 | 100 x 110 |
| SW 8958 | 75 x 180  | SW 9661 | 100 x 115 |
| SW 9069 | 80 x 90   | SW 9662 | 100 x 120 |
| SW 9070 | 80 x 100  | SW 9663 | 100 x 130 |
| SW 9071 | 80 x 110  | SW 9664 | 100 x 140 |
| SW 9072 | 80 x 120  | SW 9665 | 100 x 150 |
|         |           | SW 9666 | 100 x 160 |

color options are red and black.



## NPİGON PENTAGONAL FLAT SHOWER TRAY

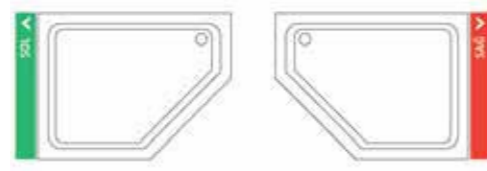


| Code    | Size / cm | Code    | Size / cm |
|---------|-----------|---------|-----------|
| SW 9859 | 90 x 90   | SW 9860 | 100 x 100 |



**STUMPY  
PENTAGONAL RI-  
GHT-LEFT  
FLAT SHOWER TRAY**

| Code    | Size / cm | Code    | Size / cm |
|---------|-----------|---------|-----------|
| SW 9920 | 90 x 120  | SW 9922 | 90 x 140  |
| SW 9921 | 90 x 130  |         |           |



color options are red and black.

## TREE RECTANGULAR SPECIAL CUT FLAT SHOWER TRAY



| Code    | Size / cm | Code    | Size / cm |
|---------|-----------|---------|-----------|
| SW 9948 | 70 x 140  | SW 9951 | 80 x 190  |
| SW 9949 | 70 x 190  | SW 9952 | 90 x 140  |
| SW 9950 | 80 x 140  | SW 9953 | 90 x 190  |



color options are red and black.

## PANDORA RECTANGULAR SEATED FLAT SHOWER TRAY



| Code    | Size / cm | Code    | Size / cm |
|---------|-----------|---------|-----------|
| SW 8850 | 70 x 100  | SW 9094 | 80 x 140  |
| SW 8851 | 70 x 110  | SW 9095 | 80 x 150  |
| SW 8852 | 70 x 120  | SW 9096 | 80 x 160  |
| SW 8853 | 70 x 130  | SW 9450 | 90 x 100  |
| SW 8854 | 70 x 140  | SW 9451 | 90 x 110  |
| SW 8855 | 70 x 150  | SW 9452 | 90 x 120  |
| SW 8856 | 70 x 160  | SW 9453 | 90 x 130  |
| SW 9090 | 80 x 100  | SW 9454 | 90 x 140  |
| SW 9091 | 80 x 110  | SW 9455 | 90 x 150  |
| SW 9092 | 80 x 120  | SW 9456 | 90 x 160  |
| SW 9093 | 80 x 130  |         |           |

color options are red and black.

## SLIM RECTANGULAR FLAT SHOWER TRAY



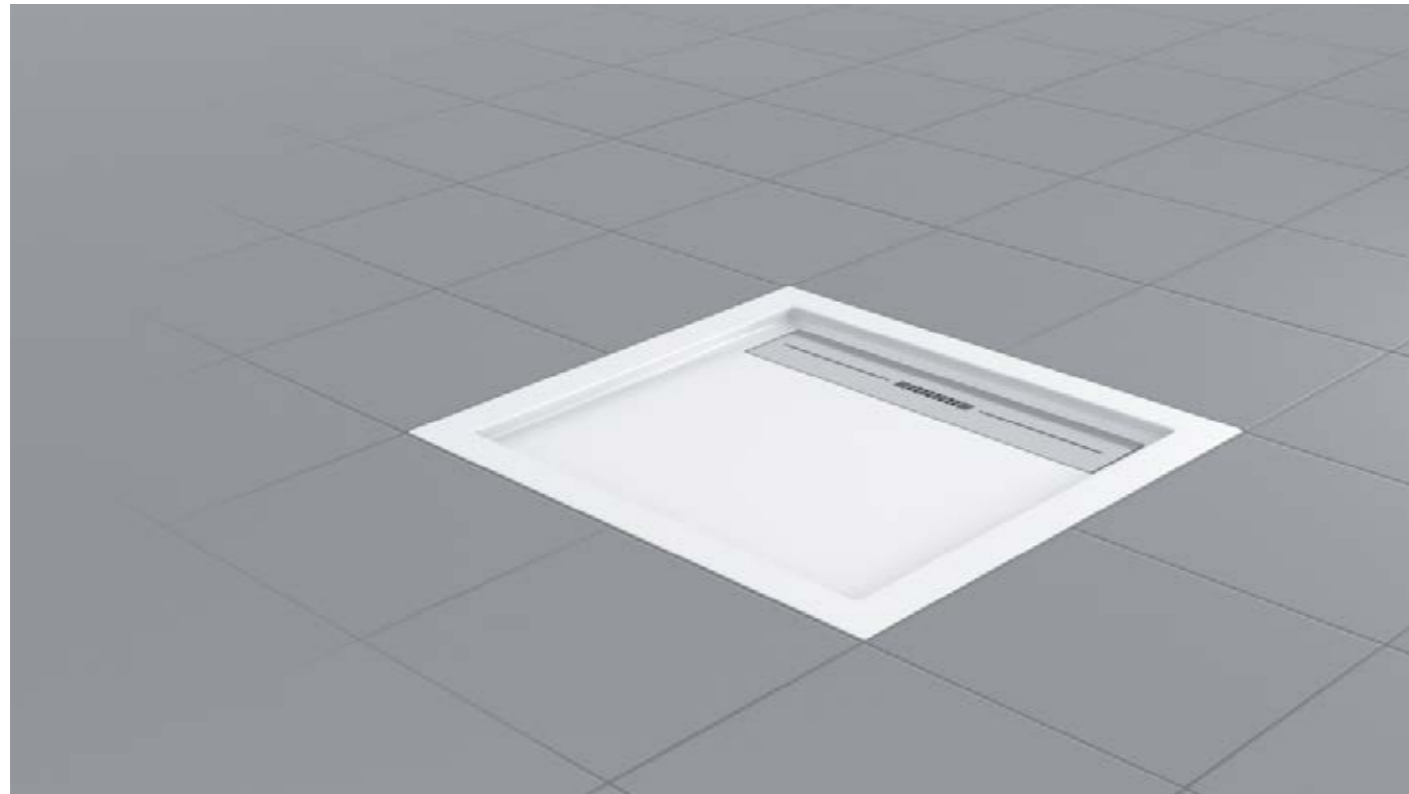
| Code    | Size / cm | Code    | Size / cm |
|---------|-----------|---------|-----------|
| SW 5670 | 80 x 100  | SW 5676 | 80 x 160  |
| SW 5672 | 80 x 120  | SW 5682 | 90 x 120  |
| SW 5674 | 80 x 140  | SW 5683 | 90 x 130  |
| SW 5675 | 80 x 150  | SW 5685 | 90 x 150  |



| Code    | Size / cm | Code    | Size / cm |
|---------|-----------|---------|-----------|
| SW 5660 | 90 x 90   | SW 5661 | 100 x 100 |

color options are red and black.

## DROP SQUARE FLAT SHOWER TRAY



| Code     | Size / cm |
|----------|-----------|
| DRO 5658 | 80 x 80   |
| DRO 5660 | 90 x 90   |

| Code     | Size / cm |
|----------|-----------|
| DRO 5662 | 100 x 100 |



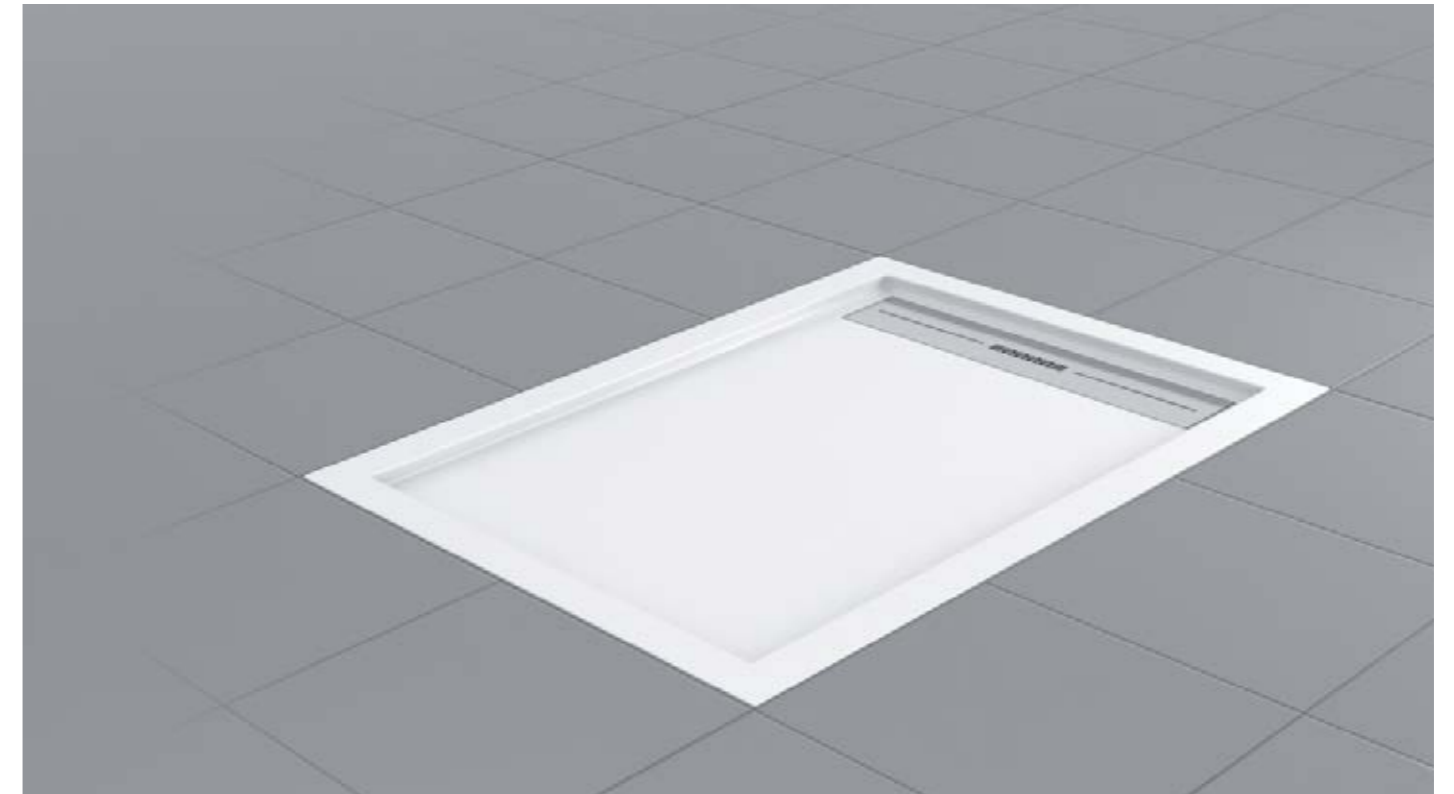
**DROP**  
OVAL FLAT  
SHOWER TRAY

| Code     | Size / cm |
|----------|-----------|
| DRO 9908 | 80 x 80   |
| DRO 9910 | 90 x 90   |

| Code     | Size / cm |
|----------|-----------|
| DRO 9912 | 100 x 100 |

color options are red and black.

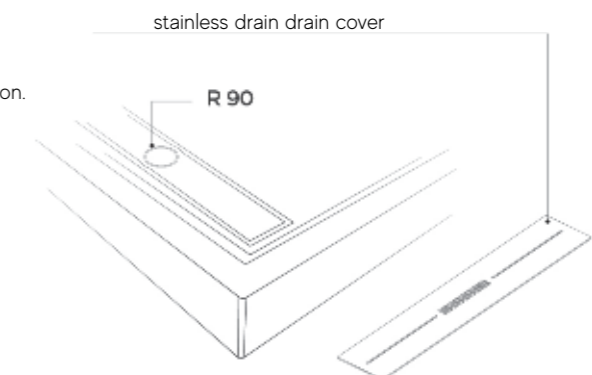
## DROP RECTANGULAR FLAT SHOWER TRAY



| Code     | Size / cm |
|----------|-----------|
| DRO 5632 | 70 x 120  |
| DRO 5633 | 70 x 130  |
| DRO 5634 | 70 x 140  |
| DRO 5635 | 70 x 150  |
| DRO 5636 | 70 x 160  |
| DRO 5637 | 70 x 170  |
| DRO 5638 | 70 x 180  |
| DRO 5652 | 75 x 120  |
| DRO 5653 | 75 x 130  |
| DRO 5654 | 75 x 140  |
| DRO 5655 | 75 x 150  |
| DRO 5656 | 75 x 160  |
| DRO 5657 | 75 x 170  |
| DRO 5658 | 75 x 180  |

| Code     | Size / cm |
|----------|-----------|
| DRO 5672 | 80 x 120  |
| DRO 5673 | 80 x 130  |
| DRO 5674 | 80 x 140  |
| DRO 5675 | 80 x 150  |
| DRO 5676 | 80 x 160  |
| DRO 5677 | 80 x 170  |
| DRO 5678 | 80 x 180  |
| DRO 5692 | 90 x 120  |
| DRO 5693 | 90 x 130  |
| DRO 5694 | 90 x 140  |
| DRO 5695 | 90 x 150  |
| DRO 5696 | 90 x 160  |
| DRO 5697 | 90 x 170  |
| DRO 5698 | 90 x 180  |

**!** installation on sand is applied by taking ceramics and elevation.



color options are red and black.

# SIPHONS



Classic Siphon  
Push flush



Lid Siphon  
Flat Siphon



Push flush



Flat Siphon



Bathtub flush without  
remote control



Remote control flush bathtub

