

宁波杰克龙精工有限公司
宁波杰克龙水表有限公司

地址：中国·宁波·慈城城西西路1号
Address: No.1 Chengxi West Road Cicheng Ningbo China
销售热线(Sales hotline): +86-574-87597291
服务热线(Service hotline): +86-574-87597992
全国免费服务热线(The free service hotline): 800-9574-099
投诉专线(Complaint special line): +86-574-87574567
传真(Fax): +86-574-87574862-1318
邮编(P.C.): 315034
网址(Http): www.jklong.com
电子信箱(E-mail): sales@jklong.com

JKLONG-SI01-1-A2/Jun 2017

版权所有 禁止仿冒 All information are subject to changes without notice all copyright are reserved



PRECISE PROCESSING, OUTSTANDING SERVICE

| 卓越精工 | 自然出众 |

综合产品目录
Integrated Catalog

JKLONG 杰克龙®
www.jklong.com

中央空调系列

CENTRAL AIR-CONDITIONING SERIES



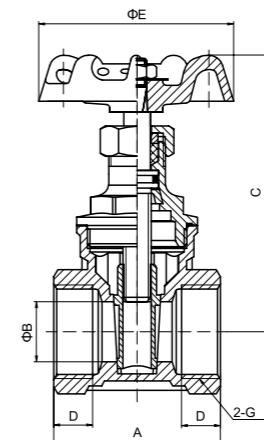
9105 黄铜闸阀 Brass Gate Valve (Z15W-16T)

技术规范

公称压力: 1.6 MPa
工作介质: 水、非腐蚀性液体、饱和蒸汽($\leq 0.6\text{MPa}$)
工作温度: $-20^{\circ}\text{C} \leq t \leq 150^{\circ}\text{C}$
圆柱管螺纹符合ISO228标准

Technical Standard

Nominal Pressure: 1.6 Mpa
Working Medium: Water, Non-causticity liquid, Saturated steam($\leq 0.6\text{MPa}$)
Working Temperature: $-20^{\circ}\text{C} \leq t \leq 150^{\circ}\text{C}$
Parallel Pipe Thread to ISO228



DN	A	B	C	D	E	G
15	43.5	13	72.5	10.5	54	1/2
20	47	17	78	11	54	3/4
25	52	21	91.5	13	60	1
32	57	27	105	13.5	72	1 1/4
40	60	34	117	14	72	1 1/2
50	69	45	143	16	80	2

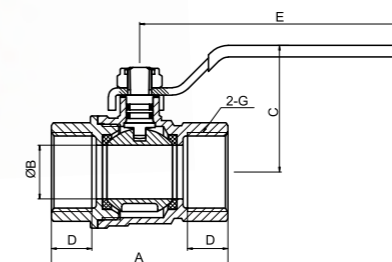
9266 黄铜球阀 Brass Ball Valve (Q11F-16T)

技术规范

公称压力: 1.6 MPa
工作介质: 水、非腐蚀性液体
工作温度: $-10^{\circ}\text{C} \leq t \leq 100^{\circ}\text{C}$
圆柱管螺纹符合ISO228标准

Technical Standard

Nominal Pressure: 1.6 Mpa
Working Medium: Water, Non-causticity liquid
Working Temperature: $-10^{\circ}\text{C} \leq t \leq 100^{\circ}\text{C}$
Parallel Pipe Thread to ISO228



DN	A	B	C	D	E	G
15	52	13	39.1	12.5	90	1/2
20	59	18	42.4	13.5	90	3/4
25	71	24	55.3	14.5	110	1
32	81	30	60.8	15.5	140.2	1 1/4
40	93.2	37	66.7	16.5	140.2	1 1/2
50	111	49.5	78.2	18.5	155.3	2

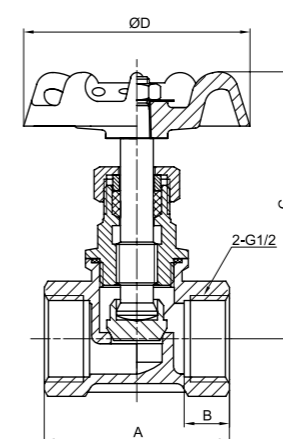
311 黄铜截止阀 Brass Stop Valve (J11W-16T)

技术规范

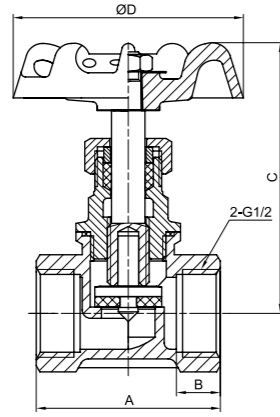
公称压力: 1.6 MPa
工作介质: 水、非腐蚀性液体、饱和蒸汽($\leq 0.6\text{MPa}$)
工作温度: $-20^{\circ}\text{C} \leq t \leq 150^{\circ}\text{C}$
圆柱管螺纹符合ISO228标准

Technical Standard

Nominal Pressure: 1.6 Mpa
Working Medium: Water, Non-causticity Liquid, Saturated steam($\leq 0.6\text{MPa}$)
Working Temperature: $-20^{\circ}\text{C} \leq t \leq 150^{\circ}\text{C}$
Parallel Pipe Thread to ISO228



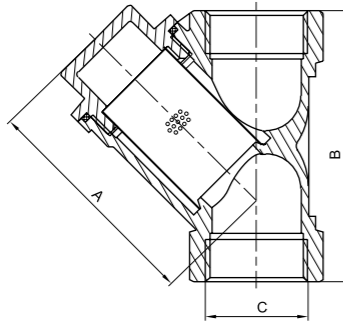
DN	Size	A	B	C	D	G
15	1/2	45	11	65-68.5	54	1/2
20	3/4	51	11	71-76	60	3/4
25	1	64.5	15	82-90	72	1
32	1 1/4	75	16	95.4-106.5	80	1 1/4
40	1 1/2	82	17	109-121	100	1 1/2
50	2	100	19	122.5-136	110	2



312 黄铜截止阀
Brass Stop Valve (J11F-16T)

技术规范 Technical Standard
公称压力: 1.6 MPa Nominal Pressure: 1.6 Mpa
工作介质: 水、非腐蚀性液体、饱和蒸汽(≤ 0.6 MPa) Working Medium: Water, Non-causticity Liquid Saturated steam(≤ 0.6 MPa)
工作温度: $-20^{\circ}\text{C} \leq t \leq 120^{\circ}\text{C}$ Working Temperature: $-20^{\circ}\text{C} \leq t \leq 120^{\circ}\text{C}$
圆柱管螺纹符合ISO228标准 Parallel Pipe Thread to ISO228

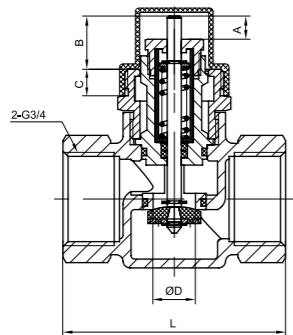
DN	Size	A	B	C	D	G
15	1/2	45	11	65-71	54	1/2
20	3/4	50	11	70.5-78	60	3/4
25	1	64.5	15	82-91	72	1
32	1 1/4	75	16	95-106	80	1 1/4
40	1 1/2	82	17	109-121	100	1 1/2
50	2	100	19	122.5-136	110	2



606 黄铜过滤器
Brass Strainer (SY11-16T)

技术规范 Technical Standard
公称压力: 1.6 MPa Nominal Pressure: 1.6 Mpa
工作介质: 水 Working Medium: Water
工作温度: $0^{\circ}\text{C} \leq t \leq 150^{\circ}\text{C}$ Working Temperature: $0^{\circ}\text{C} \leq t \leq 150^{\circ}\text{C}$
圆柱管螺纹符合ISO228标准 Parallel Pipe Thread to ISO228

DN	Size	A	B	C	过滤网目数
15	1/2	48	55.5	1/2	24X24
20	3/4	59	70	3/4	24X24
25	1	69	82	1	24X24
32	1 1/4	81	90	1 1/4	12X9
40	1 1/2	88	101	1 1/2	12X9
50	2	107	123.5	2	12X9
65	2 1/2	149.4	172	2 1/2	12X9



768 电动阀
Motorized Valve (J911X-16T)

技术规范 Technical Standard
公称压力: 2.0 MPa Nominal Pressure: 2.0 Mpa
工作介质: 水 Working Medium: Water
密封压差: DN20: 0.3MPa Sealing Pressure Difference: DN20: 0.3MPa
DN25: 0.1MPa DN25: 0.1MPa
工作温度: $1^{\circ}\text{C} \leq t \leq 95^{\circ}\text{C}$ Working Temperature: $1^{\circ}\text{C} \leq t \leq 95^{\circ}\text{C}$
圆柱管螺纹符合ISO228标准 Parallel Pipe Thread to ISO228

DN	Size	A	B	C	D	I	G
20	3/4	7	15	7.5	12	63	3/4
25	1	7	15	7.5	16.5	73	1

620/622 电动球阀
Motorized Ball Valve

特点
• 球阀电机采用由双向同步电机驱动, 顺、逆时针旋转 90° , 可有效防止球阀被管道污物卡阻;
• 球阀采用全通径设计, 减少产品压损, 保证管道流量及压力
• 驱动器之平面设计可以贴近墙面安装, 占用空间小。产品可靠耐用, 工作噪音低

技术参数

规格	通径	联接螺纹	工作介质	流体温度	环境温度	公称压力	电气规格
DN20	15	G3/4"	冷冻水/热水	0-94°C	0-40°C	2.5 MPa	24V
DN25	20	G1"					110V
DN32	25	G1 1/4"					220V
							50/60HZ



620



622



667 不锈钢波纹管 (加强型)
Stainless Steel Waving Hose (Strengthen)

669 不锈钢半波纹管
Stainless Semi-Wave Hose

669A 不锈钢半波纹管
Stainless Semi-Wave Hose



668 不锈钢全波纹管
Stainless Full-Wave Hose

668A 不锈钢全波纹管
Stainless Full-Wave Hose

261 黄铜过滤球阀
Brass Filter Ball Valve (Q11F-16T)



768 电动两通阀
Motorized Valve



645 液晶采暖温控器
LCD Air-conditioning Thermostat



644 机械采暖温控器
Mechanical Air-conditioning Thermostat

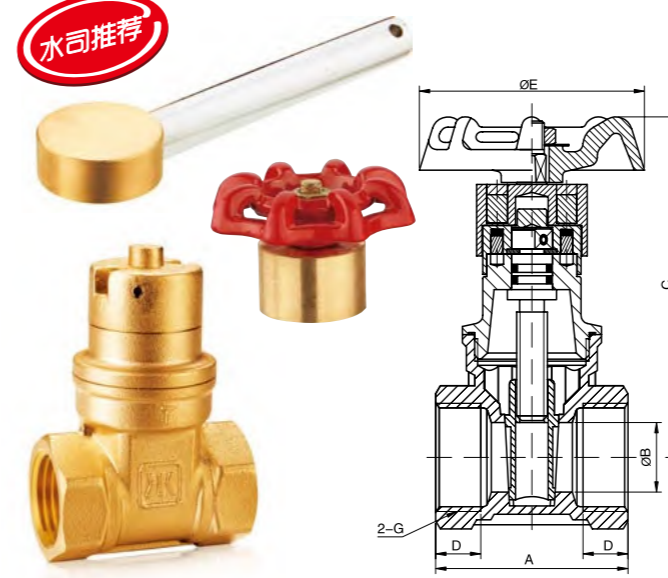


646 触控采暖温控器
Air-conditioning Thermostat With Touch Screen

水司系列 WATER COMPANY SERIES



水司推荐



9119 黄铜磁性锁式闸阀 Brass Magnetic Lockable Gate Valve (Z15W-16T)

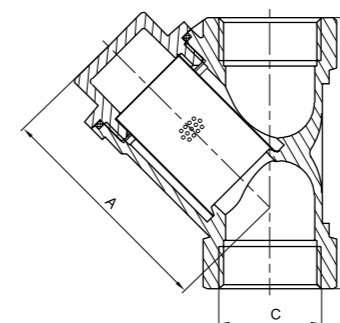
技术规范	Technical Standard
公称压力: 1.6 MPa	Nominal Pressure: 1.6 Mpa
工作介质: 水、非腐蚀性液体、饱和蒸汽(≤0.6MPa)	Working Medium: Water, Non-causticity liquid, Saturated steam(≤0.6MPa)
工作温度: -10℃≤t≤110℃	Working Temperature: -10℃≤t≤110℃
圆柱管螺纹符合ISO228标准	Parallel Pipe Thread to ISO228

手轮

DN	A	B	C	D	E	G
15	43.5	13	75.5	10.5	54	1/2
20	47	17	83.2	11	54	3/4
25	52	21	90.2	13	54	1

长手柄锁

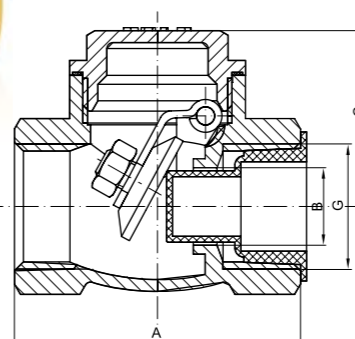
DN	A	B	C	D	G
32	57	27	77.5	13.5	1 1/4
40	60	34	90.3	14	1 1/2
50	67	45	108.8	15	2



606 黄铜过滤器 Brass Strainer (SY11-16T)

技术规范	Technical Standard
公称压力: 1.6 MPa	Nominal Pressure: 1.6 Mpa
工作介质: 水	Working Medium: Water
工作温度: 0℃≤t≤150℃	Working Temperature: 0℃≤t≤150℃
圆柱管螺纹符合ISO228标准	Parallel Pipe Thread to ISO228

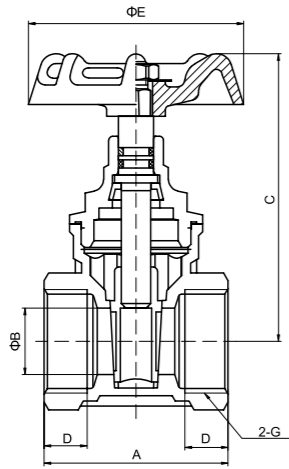
DN	Size	A	B	C	过滤网目数
15	1/2	48	55.5	1/2	24X24
20	3/4	59	70	3/4	24X24
25	1	69	82	1	24X24
32	1 1/4	81	90	1 1/4	12X9
40	1 1/2	88	101	1 1/2	12X9
50	2	107	123.5	2	12X9
65	2 1/2	149.4	172	2 1/2	12X9



408 黄铜止回阀 Brass Check Valve (H14W-16T)

技术规范	Technical Standard
公称压力: 1.6 MPa	Nominal Pressure: 1.6 Mpa
工作介质: 水、非腐蚀性液体	Working Medium: Water, Non-causticity Liquid
工作温度: ≤100℃	Working Temperature: ≤100℃
圆柱管螺纹符合ISO228标准	Parallel Pipe Thread to ISO228

DN	Size	A	B	C	G
15	1/2	48	13	29.5	1/2
20	3/4	57	17	35.5	3/4
25	1	68	23	42	1
32	1 1/4	74	28	48.5	1 1/4
40	1 1/2	82	33	53	1 1/2
50	2	92.5	44	59	2
65	2 1/2	130	63	85.5	2 1/2
80	3	147	75	95.5	3
100	4	180	93	116.5	4

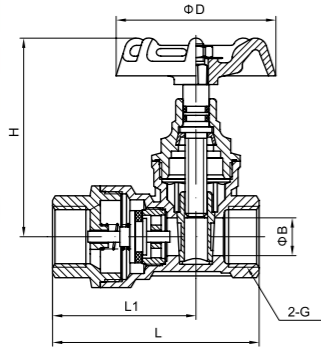


169 黄铜闸阀
Brass Gate Valve (Z15W-16T)

技术规范
公称压力: 1.6 MPa
工作介质: 水、非腐蚀性液体
工作温度: -20°C ≤ t ≤ 110°C
圆柱管螺纹符合ISO228标准

Technical Standard
Nominal Pressure: 1.6 Mpa
Working Medium: Water, Non-causticity liquid
Working Temperature: -20°C ≤ t ≤ 110°C
Parallel Pipe Thread to ISO228

DN	A	B	C	D	E	G
15	43.5	13	68.4	10.5	54	1/2
20	47	17	73.5	11	54	3/4
25	52	21	83	13	60	1
32	57	27	98	13.5	72	1 1/4
40	60	34	111	14	72	1 1/2
50	69	45	132	15	80	2

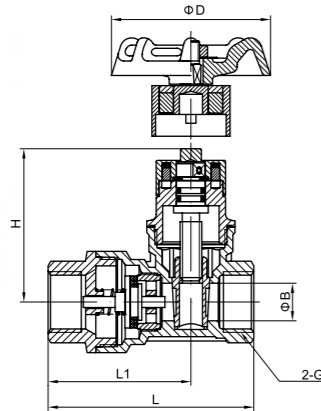


9169 黄铜带止回锁式闸阀
Brass Lockable Gate Valve With Non-Return Function (Z15W-16T)

技术规范
公称压力: 1.6 MPa
工作介质: 水
工作温度: 0°C ≤ t ≤ 90°C
圆柱管螺纹符合ISO228-1标准

Technical Standard
Nominal Pressure: 1.6 Mpa
Working Medium: Water
Working Temperature: 0°C ≤ t ≤ 90°C
Parallel Pipe Thread to ISO228-1

DN	L	L1	B	G	D	H
15	71	49.5	13	G1/2	54	68.5
20	79.7	56.2	17	G3/4	54	73.5

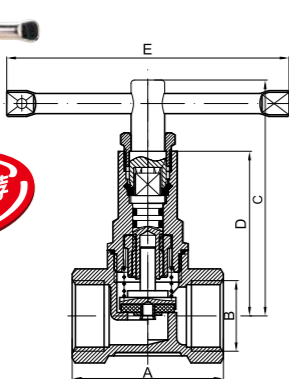


9168 黄铜带止回闸阀
Brass Lockable Gate Valve (Z15W-16T)

技术规范
公称压力: 1.6 MPa
工作介质: 水
工作温度: 0°C ≤ t ≤ 90°C
圆柱管螺纹符合ISO228-1标准

Technical Standard
Nominal Pressure: 1.6 Mpa
Working Medium: Water
Working Temperature: 0°C ≤ t ≤ 90°C
Parallel Pipe Thread to ISO228-1

DN	L	L1	B	G	D	H
15	71	49.5	13	G1/2	54	53
20	79.7	56.2	17	G3/4	54	60.7

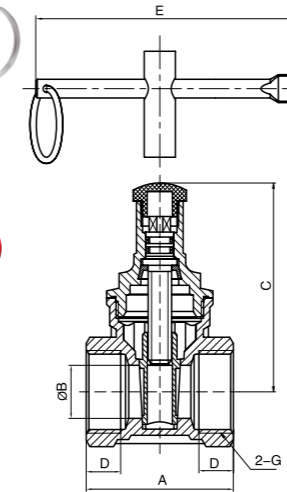


316 黄铜锁式止回截止阀
Brass Stop Valve (J11W-16T)

技术规范
公称压力: 1.6 MPa
工作介质: 水、非腐蚀性液体
工作温度: -20°C ≤ t ≤ 120°C
圆柱管螺纹符合ISO228标准

Technical Standard
Nominal Pressure: 1.6 Mpa
Working Medium: Water, Non-causticity Liquid
Working Temperature: -20°C ≤ t ≤ 120°C
Parallel Pipe Thread to ISO228

DN	Size	A	B	C	D	E
15	1/2	45	2-G1/2	70	49	84
20	3/4	51	2-G3/4	89.5	51	84
25	1	64.5	2-G1	108.3	79.3	160
32	1 1/4	75	2-G1 1/4	119.8	90.8	160
40	1 1/2	82	2-G1 1/2	135	72	160
50	2	100	2-G2	110	77	160

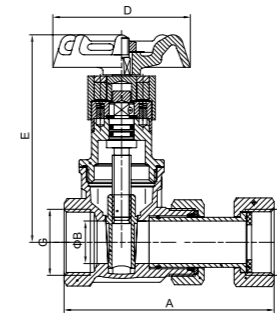


9118 黄铜锁式闸阀
Brass Lockable Gate Valve (Z15W-16T)

技术规范
公称压力: 1.6 MPa
工作介质: 水、非腐蚀性液体
工作温度: -10°C ≤ t ≤ 110°C
圆柱管螺纹符合ISO228标准

Technical Standard
Nominal Pressure: 1.6 Mpa
Working Medium: Water, Non-causticity liquid
Working Temperature: -10°C ≤ t ≤ 110°C
Parallel Pipe Thread to ISO228

DN	A	B	C	D	E	G
15	43.5	13	62.3	10.5	75	1/2
20	47	17	66.8	11	75	3/4
25	52	21	75	13	75	1
32	57	27	87	13.5	75	1 1/4
40	60	34	98	14	120	1 1/2
50	67	45	115.6	15	120	2

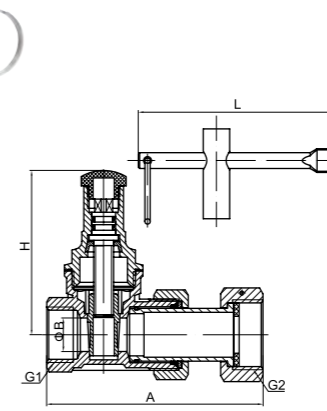


114 黄铜表前磁性闸阀
Brass Magnetic Gate Valve Before Water Meter (Z15W-16T)

技术规范
公称压力: 1.6 MPa
工作介质: 水、非腐蚀性液体
适用温度: t ≤ 150°C
圆柱管螺纹符合ISO228-1: 2000标准

Technical Standard
Nominal Pressure: 1.6 Mpa
Working Medium: Water, Non-causticity liquid
Working Temperature: t ≤ 150°C
Parallel Pipe Thread to ISO228-1:2000

DN	A	B	C	D	E	G
15X20	96.5-108.5	13	G3/4	54	75.5	G1/2
20X20	84-96	17.5	G3/4	54	83	G3/4
20X25	84.5-96.5	17.5	G1	54	83	G3/4
25X25	102-115.5	21	G1	54	90	G1

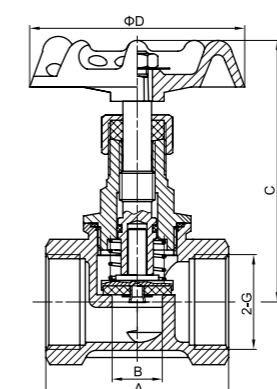


189 黄铜锁式伸缩闸阀
Brass Lockable Gate Valve With Expansion Joint (Z15W-16T)

技术规范
公称压力: 1.6 MPa
工作介质: 水、非腐蚀性液体
适用温度: -10°C ≤ t ≤ 100°C
圆柱管螺纹符合ISO228-1

Technical Standard
Nominal Pressure: 1.6 Mpa
Working Medium: Water, Non-causticity liquid
Working Temperature: -10°C ≤ t ≤ 100°C
Parallel Pipe Thread to ISO228-1

DN	L	A	B	G1	G2	H
15x20	75	82-94	12.7	G1/2	G3/4	62
20x20	75	84-96	17.5	G3/4	G3/4	67
20x25	75	84.5-96.5	17.5	G3/4	G1	67

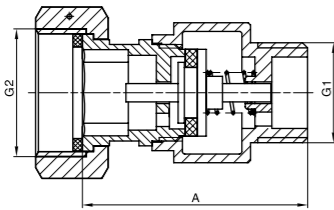


385 黄铜止回截止阀
Brass Check Stop Valve (J12W-16T)

技术规范
公称压力: 1.6 MPa
工作介质: 水、非腐蚀性液体
工作温度: -20°C ≤ t ≤ 120°C
圆柱管螺纹符合ISO228标准

Technical Standard
Nominal Pressure: 1.6 Mpa
Working Medium: Water, Non-causticity Liquid
Working Temperature: -20°C ≤ t ≤ 120°C
Parallel Pipe Thread to ISO228

DN	Size	A	B	C	D	G
15	1/2	45	12	66-72	54	1/2
20	3/4	51	16	73-79	60	3/4
25	1	64.5	22	82-90	72	1
32	1 1/4	75	26	95-104	80	1 1/4
40	1 1/2	82	32	112-125	80	1 1/2
50	2	100	41	124.5-137.5	100	2

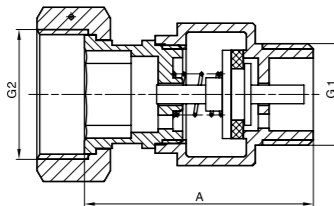


406 黄铜表后控制阀
Brass Control Valve (H32X-16T)

技术规范
公称压力: 1.6 MPa
工作介质: 水
工作温度: 0°C ≤ t ≤ 90°C
圆柱管螺纹符合ISO228标准

Technical Standard
Nominal Pressure: 1.6 Mpa
Working Medium: Water
Working Temperature: 0°C ≤ t ≤ 90°C
Parallel Pipe Thread to ISO228

DN	A	G1	G2
15	46.6	1/2	3/4
20	52	3/4	1
25	55.5	1	1 1/4

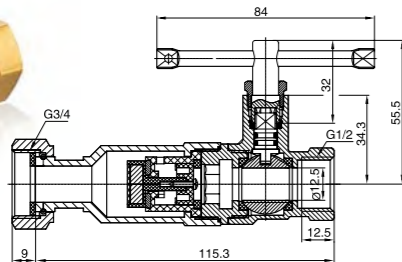


403 黄铜表前控制阀
Brass Control Valve (H32X-16T)

技术规范
公称压力: 1.6 MPa
工作介质: 水
工作温度: 0°C ≤ t ≤ 90°C
圆柱管螺纹符合ISO228标准

Technical Standard
Nominal Pressure: 1.6 Mpa
Working Medium: Water
Working Temperature: 0°C ≤ t ≤ 90°C
Parallel Pipe Thread to ISO228

DN	A	G1	G2
15	46.6	1/2	3/4
20	52	3/4	1

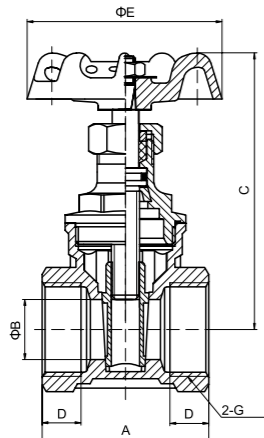


新品推荐

278 黄铜表前锁式止回阀
Brass Lockable Check Valve Before Water Meter (Q11F-16T)

技术规范
公称压力: 1.6 MPa
工作介质: 水
工作温度: t ≤ 80°C
圆柱管螺纹符合ISO228标准

Technical Standard
Nominal Pressure: 1.6 Mpa
Working Medium: Water
Working Temperature: t ≤ 80°C
Parallel Pipe Thread to ISO228



9105 黄铜闸阀
Brass Gate Valve (Z15W-16T)

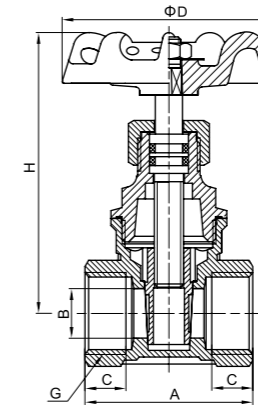
技术规范
公称压力: 1.6 MPa
工作介质: 水、非腐蚀性液体、饱和蒸汽(≤0.6MPa)
工作温度: -20°C ≤ t ≤ 150°C
圆柱管螺纹符合ISO228标准

Technical Standard
Nominal Pressure: 1.6 Mpa
Working Medium: Water, Non-causticity liquid, Saturated steam(≤0.6MPa)
Working Temperature: -20°C ≤ t ≤ 150°C
Parallel Pipe Thread to ISO228

DN	A	B	C	D	E	G
15	43.5	13	72.5	10.5	54	1/2
20	47	17	78	11	54	3/4
25	52	21	91.5	13	60	1
32	57	27	105	13.5	72	1 1/4
40	60	34	117	14	72	1 1/2
50	69	45	143	16	80	2



水司推荐



121 黄铜抽杆式闸阀
Brass Pumped Leveraged Gate Valve (Z15W-16T)

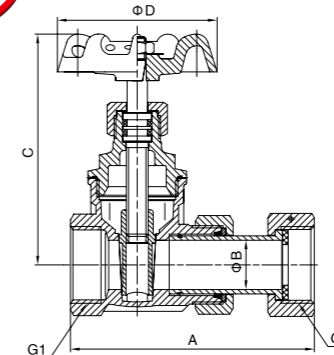
技术规范
公称压力: 1.6 MPa
工作介质: 水、非腐蚀性液体
工作温度: -10°C ≤ t ≤ 110°C
圆柱管螺纹符合ISO228标准

Technical Standard
Nominal Pressure: 1.6 Mpa
Working Medium: Water, Non-causticity liquid
Working Temperature: -10°C ≤ t ≤ 110°C
Parallel Pipe Thread to ISO228

DN	A	B	C	D	H	G
15	43	12.7	10.5	54	72	1/2
20	46	16	11	54	78	3/4
25	49	20	12	60	84	1
32	52	26	12.5	68	100	1 1/4
40	56.5	32	13	72	108	1 1/2
50	64	43	14.5	80	132	2
80	83	63.5	19	110	180	3
100	101.5	84	25	126	218	4



水司推荐

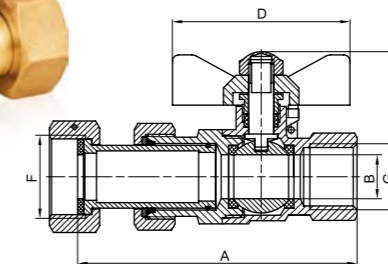


109 黄铜水表闸阀
Brass Water Meter Gate Valve (Z15W-16T)

技术规范
公称压力: 1.6 MPa
工作介质: 水、非腐蚀性液体
工作温度: -10°C ≤ t ≤ 110°C
圆柱管螺纹符合ISO228标准

Technical Standard
Nominal Pressure: 1.6 Mpa
Working Medium: Water, Non-causticity liquid
Working Temperature: -10°C ≤ t ≤ 110°C
Parallel Pipe Thread to ISO228

DN	A	B	C	D	G1	G2
20	84-96	17	79	54	3/4	3/4
20	84.5-96.5	17	77	54	3/4	1



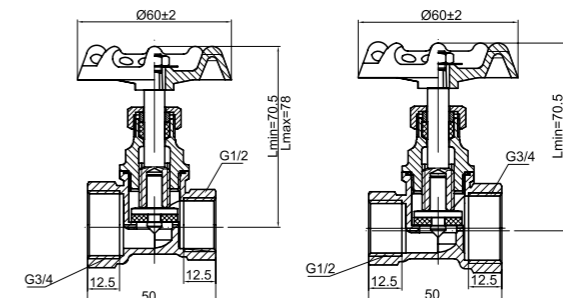
229 黄铜水表球阀
Brass Water Meter Ball Valve (Q11F-16T)

技术规范
公称压力: 1.6 MPa
工作介质: 水、非腐蚀性液体
工作温度: -10°C ≤ t ≤ 100°C
圆柱管螺纹符合ISO228标准

Technical Standard
Nominal Pressure: 1.6 Mpa
Working Medium: Water, Non-causticity liquid
Working Temperature: -10°C ≤ t ≤ 100°C
Parallel Pipe Thread to ISO228

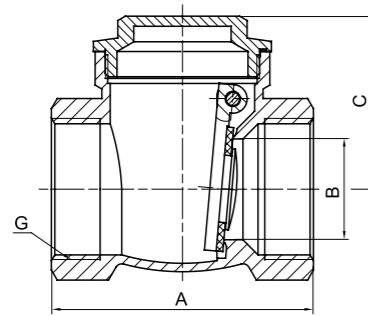
DN	Size	A	B	C	D	F	G
15	1/2	89-103	14	41	56.5	3/4	1/2
20	3/4	94-106	15	42.9	56.5	1	3/4

315 黄铜异径截止阀
Brass Reduced Stop Valve (J11F-16T)



技术规范
公称压力: 1.6 MPa
工作介质: 水、非腐蚀性液体
工作温度: -20°C ≤ t ≤ 120°C
圆柱管螺纹符合ISO228标准

Technical Standard
Nominal Pressure: 1.6 Mpa
Working Medium: Water, Non-causticity liquid
Working Temperature: -20°C ≤ t ≤ 120°C
Parallel Pipe Thread to ISO228



404 黄铜止回阀
Brass Check Valve (H14X-16T)

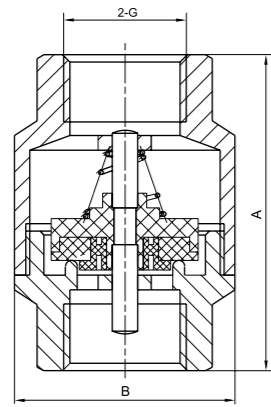
技术规范

公称压力: 1.6 MPa
工作介质: 水、非腐蚀性液体
工作温度: $\leq 100^{\circ}\text{C}$
圆柱管螺纹符合ISO228标准

Technical Standard

Nominal Pressure: 1.6 MPa
Working Medium: Water, Non-causticity Liquid
Working Temperature: $\leq 100^{\circ}\text{C}$
Parallel Pipe Thread to ISO228

DN	Size	A	B	C	G
15	1/2	48	13	34	1/2
20	3/4	59	17	40.5	3/4
25	1	68	23	46	1
32	1 1/4	78	30	51.5	1 1/4
40	1 1/2	88	35	57.5	1 1/2
50	2	105	45	68.5	2
65	2 1/2	130	63	85.5	2 1/2
80	3	147	75	95.5	3
100	4	180	93	116.5	4



405 黄铜立式止回阀
Brass Vertical Check Valve (H12X-10T)

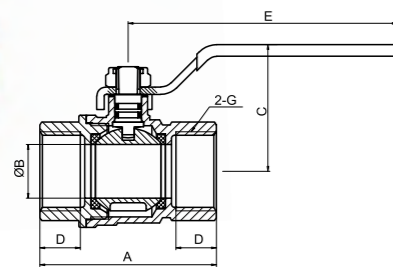
技术规范

公称压力: 1.0 MPa
工作介质: 水、非腐蚀性液体、饱和蒸汽($\leq 0.6\text{MPa}$)
工作温度: $-20^{\circ}\text{C} \leq t \leq 80^{\circ}\text{C}$
圆柱管螺纹符合ISO228标准

Technical Standard

Nominal Pressure: 1.0 MPa
Working Medium: Water, Non-causticity Liquid, Saturated steam($\leq 0.6\text{MPa}$)
Working Temperature: $-20^{\circ}\text{C} \leq t \leq 80^{\circ}\text{C}$
Parallel Pipe Thread to ISO228

DN	Size	A	B	G
10	3/8	43	30	3/8
15	1/2	49.5	35	1/2
20	3/4	53.5	41	3/4
25	1	60	49	1
32	1 1/4	70	58	1 1/4
40	1 1/2	77.5	67.5	1 1/2
50	2	84.5	83	2



9266 黄铜球阀
Brass Ball Valve (Q11F-16T)

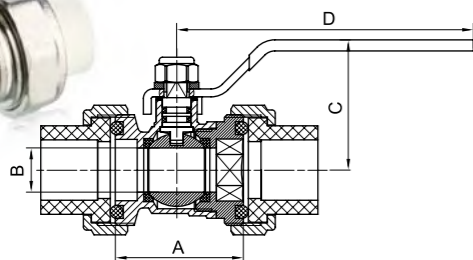
技术规范

公称压力: 1.6 MPa
工作介质: 水、非腐蚀性液体
工作温度: $-10^{\circ}\text{C} \leq t \leq 100^{\circ}\text{C}$
圆柱管螺纹符合ISO228标准

Technical Standard

Nominal Pressure: 1.6 MPa
Working Medium: Water, Non-causticity liquid
Working Temperature: $-10^{\circ}\text{C} \leq t \leq 100^{\circ}\text{C}$
Parallel Pipe Thread to ISO228

DN	A	B	C	D	E	G
15	52	13	39.1	12.5	90	1/2
20	59	18	42.4	13.5	90	3/4
25	71	24	55.3	14.5	110	1
32	81	30	60.8	15.5	140.2	1 1/4
40	93.2	37	66.7	16.5	140.2	1 1/2
50	111	49.5	78.2	18.5	155.3	2



209 黄铜PPR球阀
Brass PPR Ball Valve (Q11F-16T)

技术规范

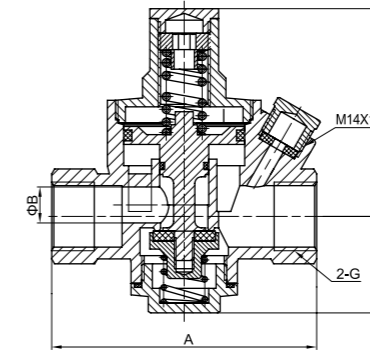
公称压力: 1.6 MPa
工作介质: 水、非腐蚀性液体
工作温度: $-10^{\circ}\text{C} \leq t \leq 120^{\circ}\text{C}$

Technical Standard

Nominal Pressure: 1.6 MPa
Working Medium: Water, Non-causticity liquid
Working Temperature: $-10^{\circ}\text{C} \leq t \leq 120^{\circ}\text{C}$

备注: 接头材质可选择PPR、PB、PERT

DN	Size	A	B	C	D
15	1/2	40.5	14	41.7	97.5
20	3/4	47	19	44.9	97.5
25	1	53	23.5	55.5	110
32	1 1/4	62	30	61	140
40	1 1/2	75.6	37	66	140
50	2	88	46.5	75	155



707 黄铜活塞式减压阀
Brass Piston Valve (Y13X-16T)

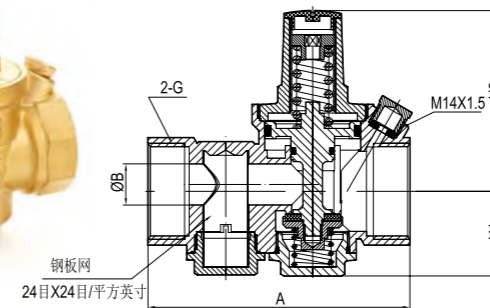
技术规范

公称压力: 1.6 MPa
工作介质: 水
工作温度: $0^{\circ}\text{C} \leq t \leq 80^{\circ}\text{C}$
出口压力: 0.1MPa-0.55MPa
圆柱管螺纹符合ISO228标准

Technical Standard

Nominal Pressure: 1.6 MPa
Working Medium: Water
Working Temperature: $0^{\circ}\text{C} \leq t \leq 80^{\circ}\text{C}$
Export Pressure: 0.1MPa-0.55MPa
Parallel Pipe Thread to ISO228

DN	Size	A	B	H1	H2	G
15	1/2	78	11	29.5	64	1/2
20	3/4	78.5	11	30	63.5	3/4
25	1	85	15	35.5	77	1
32	1 1/4	85	18	37	79	1 1/4
40	1 1/2	103	22.5	47.5	105	1 1/2
50	2	120	28.5	54.5	126.5	2



727 黄铜带过滤器减压阀
Brass Reducing Valve With Filter (Y13X-16T)

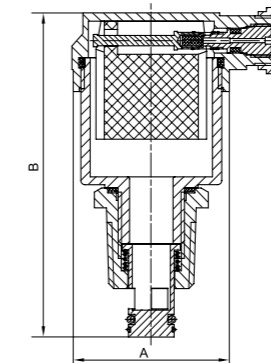
技术规范

公称压力: 1.6 MPa
工作介质: 水
工作温度: $0^{\circ}\text{C} \leq t \leq 80^{\circ}\text{C}$
出口压力: 0.1MPa-0.55MPa
圆柱管螺纹符合ISO228标准

Technical Standard

Nominal Pressure: 1.6 MPa
Working Medium: Water
Working Temperature: $0^{\circ}\text{C} \leq t \leq 80^{\circ}\text{C}$
Export Pressure: 0.1MPa-0.55MPa
Parallel Pipe Thread to ISO228

DN	Size	A	B	H1	H2	G
15	1/2	98.5	11	29.5	65	1/2
20	3/4	99	11	30	64.5	3/4
25	1	110.5	15	35.5	77	1
32	1 1/4	114.5	18	37	79	1 1/4
40	1 1/2	139	22.5	47.5	105	1 1/2
50	2	162	28.5	54.5	126.5	2



705 黄铜排气阀
Brass Exhausting Valve (P25X-16T)

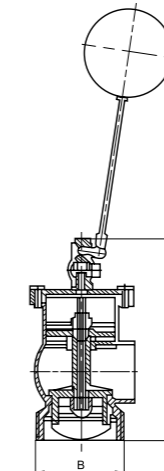
技术规范

公称压力: 1.6 MPa
工作介质: 水
工作温度: $0^{\circ}\text{C} \leq t \leq 120^{\circ}\text{C}$
管螺纹符合ISO7标准

Technical Standard

Nominal Pressure: 1.6 MPa
Working Medium: Water
Working Temperature: $0^{\circ}\text{C} \leq t \leq 120^{\circ}\text{C}$
Taper Pipe Thread to ISO7

DN	A	B
15	38.5	78.5
20	38	77.5
25	38	77.5



901 浮球阀
Floating Ball Actuated Valve (KXL-6T-A)

技术规范

公称压力: 0.04 MPa $\leq P \leq 0.6\text{MPa}$
工作介质: 水
工作温度: $0^{\circ}\text{C} \leq t \leq 80^{\circ}\text{C}$
联接方式: 管螺纹

Technical Standard

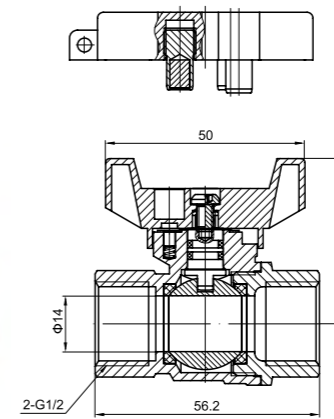
Nominal Pressure: 0.04 MPa $\leq P \leq 0.6\text{MPa}$
Working Medium: Water
Working Temperature: $0^{\circ}\text{C} \leq t \leq 80^{\circ}\text{C}$
Connecting From: Pipe Thread

DN	Size	A	B
15	1/2	80	50
20	3/4	120	35
25	1	125	43
32	1 1/4	145	52
40	1 1/2	155	57
50	2	168	69
65	2 1/2	200	88
80	3	225	100
100	4	250	127

燃气阀门系列 GAS VALVES SERIES



新品推荐

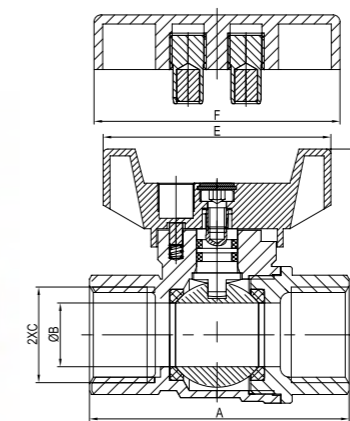


9200A 黄铜双控防盗燃气球阀 Brass Double Control Gas Ball Valve Antitheft (RQL-PN16)

技术规范
公称压力: 1.6 MPa
工作介质: 天然气、人工煤气、液化石油气
工作温度: $-20^{\circ}\text{C} \leq t \leq 110^{\circ}\text{C}$
圆柱管螺纹符合ISO228标准

Technical Standard
Nominal Pressure: 1.6 MPa
Working Medium: Natural gas, Artificial gas, Liquefied petroleum gas
Working Temperature: $-20^{\circ}\text{C} \leq t \leq 110^{\circ}\text{C}$
Parallel Pipe Thread to ISO228

9277A 黄铜磁控防盗球阀 Brass Magnetic Anti-Theft Ball Valve (RQL-PN16)



- 产品特点:**
1. 主要零件采用优质铜材 (HPb59-1) 和热锻工艺制作而成, 使产品具有良好的机械物理性能。
 2. 采用优质氟塑料 (PTFE) 作为密封材料, 保证产品无泄漏, 并有较高的使用寿命。
 3. 当处于管理模式状态下, 用户无法开关燃气阀, 只有燃气公司通过专用钥匙才能开关燃气阀, 真正实现有效管控。

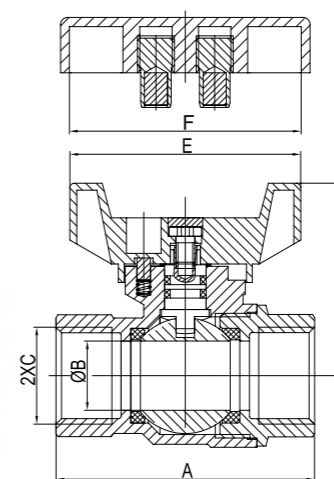
技术规范
公称压力: 1.6 MPa
工作介质: 天然气、人工煤气、液化石油气
工作温度: $-20^{\circ}\text{C} \leq t \leq 110^{\circ}\text{C}$
圆柱管螺纹符合ISO228标准

Technical Standard
Nominal Pressure: 1.6 MPa
Working Medium: Natural gas, Artificial gas, Liquefied petroleum gas
Working Temperature: $-20^{\circ}\text{C} \leq t \leq 110^{\circ}\text{C}$
Parallel Pipe Thread to ISO228

DN	A	B	C	D	E	F
15	57	14	G1/2	41	50	54
20	67	19	G3/4	44	50	54
25	78.6	24	G1	50	50	54

- ★ 产品设计按CJ/T180-2014设计
- ★ 全通径系列, 长度符合N4要求。

新品推荐

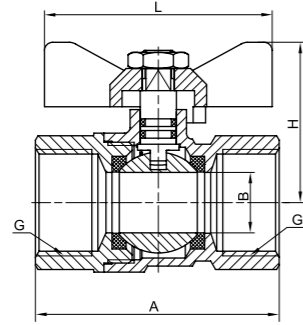


R50201 黄铜磁控防盗球阀 Brass Magnetic Anti-Theft Ball Valve (RQL-PN16)

技术规范
公称压力: 1.6 MPa
工作介质: 天然气、人工煤气、液化石油气
工作温度: $-20^{\circ}\text{C} \leq t \leq 110^{\circ}\text{C}$
圆柱管螺纹符合ISO228标准

Technical Standard
Nominal Pressure: 1.6 Mpa
Working Medium: Natural Gas, Artificial Gas, Liquefied Petroleum Gas
Working Temperature: $-20^{\circ}\text{C} \leq t \leq 110^{\circ}\text{C}$
Parallel Pipe Thread to ISO228

DN	A	B	C	D	E	F
15	56	14	G1/2	42	50	54
20	67	19	G3/4	47	50	54



239A 黄铜燃气球阀
Brass Gas Ball Valve (RQL-PN16)

技术规范

公称压力: 1.6 MPa
工作介质: 天然气、人工煤气、液化石油气
工作温度: $-20^{\circ}\text{C} \leq t \leq 110^{\circ}\text{C}$
圆柱管螺纹符合ISO228标准

Technical Standard

Nominal Pressure: 1.6 Mpa
Working Medium: Natural Gas, Artificial Gas, Liquefied Petroleum Gas
Working Temperature: $-20^{\circ}\text{C} \leq t \leq 110^{\circ}\text{C}$
Parallel Pipe Thread to ISO228

DN	A	B	H	L	G
15	55.7	12.5	38.5	56.5	1/2
20	60.5	15	40	56.5	3/4
25	71	20	50	65	1

- ★ 产品设计按CJ/T180-2014设计
- ★ 全通路系列, 长度符合N9要求。

246 黄铜燃气球阀
Brass Gas Ball Valve (RQL-PN16)

技术规范

公称压力: 1.6 MPa
工作介质: 天然气、人工煤气、液化石油气
工作温度: $-20^{\circ}\text{C} \leq t \leq 110^{\circ}\text{C}$
圆柱管螺纹符合ISO228标准

Technical Standard

Nominal Pressure: 1.6 Mpa
Working Medium: Natural Gas, Artificial Gas, Liquefied Petroleum Gas
Working Temperature: $-20^{\circ}\text{C} \leq t \leq 110^{\circ}\text{C}$
Parallel Pipe Thread to ISO228

DN	A	B	C	D	E
15	68	15	G1/2	42	98
20	78	19.6	G3/4	49	97.7
25	86	24	G1	55	110
32	100	31.6	G1 1/4	62	140
40	106	39.5	G1 1/2	68	140
50	130	49	G2	77	155

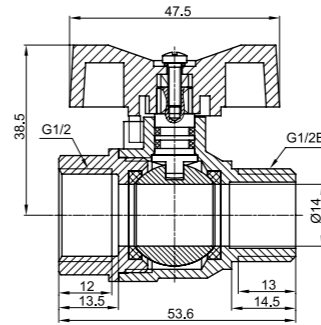
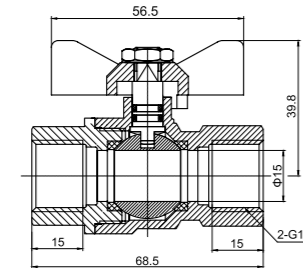
246A 黄铜燃气球阀
Brass Gas Ball Valve (RQL-PN16)

技术规范

公称压力: 1.6 MPa
工作介质: 天然气、人工煤气、液化石油气
工作温度: $-20^{\circ}\text{C} \leq t \leq 110^{\circ}\text{C}$
圆柱管螺纹符合ISO228标准

Technical Standard

Nominal Pressure: 1.6 Mpa
Working Medium: Natural Gas, Artificial Gas, Liquefied Petroleum Gas
Working Temperature: $-20^{\circ}\text{C} \leq t \leq 110^{\circ}\text{C}$
Parallel Pipe Thread to ISO228



248 黄铜内外螺纹燃气球阀
Brass Gas Ball Valve MF (RQL-PN16)

技术规范

公称压力: 1.6 MPa
工作介质: 天然气、人工煤气、液化石油气
工作温度: $-20^{\circ}\text{C} \leq t \leq 110^{\circ}\text{C}$
圆柱管螺纹符合ISO228标准

Technical Standard

Nominal Pressure: 1.6 Mpa
Working Medium: Natural Gas, Artificial Gas, Liquefied Petroleum Gas
Working Temperature: $-20^{\circ}\text{C} \leq t \leq 110^{\circ}\text{C}$
Parallel Pipe Thread to ISO228

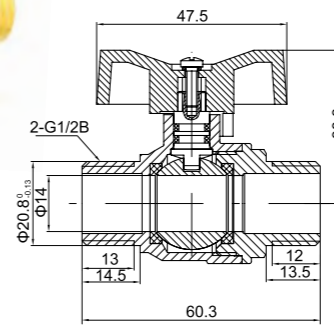
243 黄铜外螺纹燃气球阀
Brass Male Gas Ball Valve (RQL-PN16)

技术规范

公称压力: 1.6 MPa
工作介质: 天然气、人工煤气、液化石油气
工作温度: $-20^{\circ}\text{C} \leq t \leq 110^{\circ}\text{C}$
圆柱管螺纹符合ISO228标准

Technical Standard

Nominal Pressure: 1.6 Mpa
Working Medium: Natural Gas, Artificial Gas, Liquefied Petroleum Gas
Working Temperature: $-20^{\circ}\text{C} \leq t \leq 110^{\circ}\text{C}$
Parallel Pipe Thread to ISO228



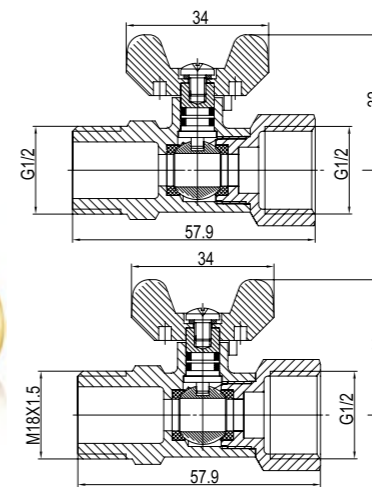
207 黄铜内外丝燃气球阀
Brass Gas Ball Valve MF (RQZ-PN0.15)

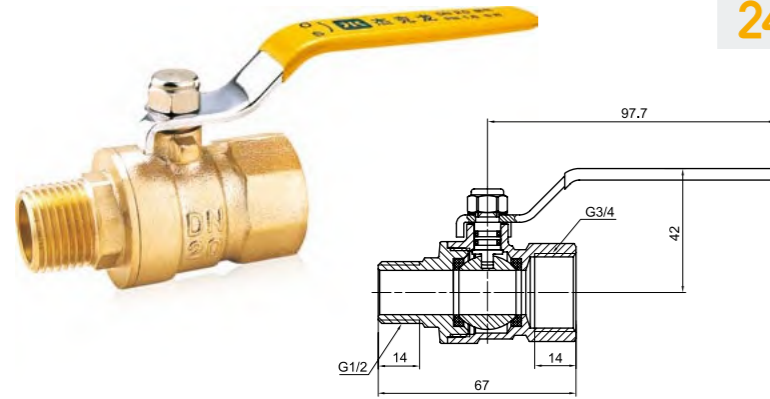
技术规范

公称压力: 0.015 MPa
工作介质: 天然气、人工煤气、液化石油气
工作温度: $-20^{\circ}\text{C} \leq t \leq 110^{\circ}\text{C}$
圆柱管螺纹符合ISO228标准

Technical Standard

Nominal Pressure: 0.015 MPa
Working Medium: Natural Gas, Artificial Gas, Liquefied Petroleum Gas
Working Temperature: $-20^{\circ}\text{C} \leq t \leq 110^{\circ}\text{C}$
Parallel Pipe Thread to ISO228





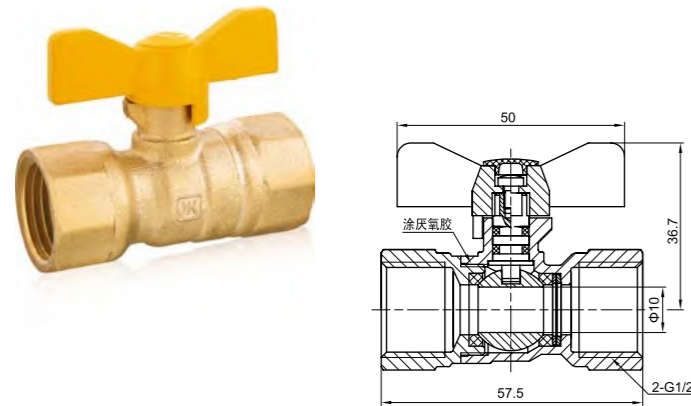
241 黄铜内外螺纹燃气球阀
Brass Gas Ball Valve MF (RQL-PN16)

技术规范

公称压力: 1.6 MPa
工作介质: 天然气、人工煤气、液化石油气
工作温度: $-20^{\circ}\text{C} \leq t \leq 110^{\circ}\text{C}$
圆柱管螺纹符合ISO228标准

Technical Standard

Nominal Pressure: 1.6 MPa
Working Medium: Natural Gas, Artificial Gas, Liquefied Petroleum Gas
Working Temperature: $-20^{\circ}\text{C} \leq t \leq 110^{\circ}\text{C}$
Parallel Pipe Thread to ISO228



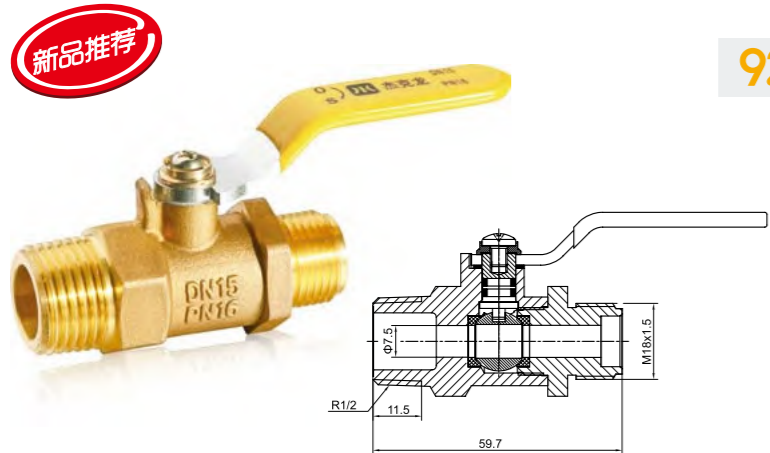
237 黄铜内螺纹防泄漏燃气球阀
Brass Female Leakproof Gas Ball Valve (RQL-PN16)

技术规范

公称压力: 1.6 MPa
工作介质: 天然气、人工煤气、液化石油气
工作温度: $-20^{\circ}\text{C} \leq t \leq 110^{\circ}\text{C}$
圆锥管螺纹符合ISO7标准
圆柱管螺纹符合ISO228标准

Technical Standard

Nominal Pressure: 1.6 Mpa
Working Medium: Natural Gas, Artificial Gas, Liquefied Petroleum Gas
Working Temperature: $-20^{\circ}\text{C} \leq t \leq 110^{\circ}\text{C}$
Taper Pipe Thread to ISO7
Parallel Pipe Thread to ISO228



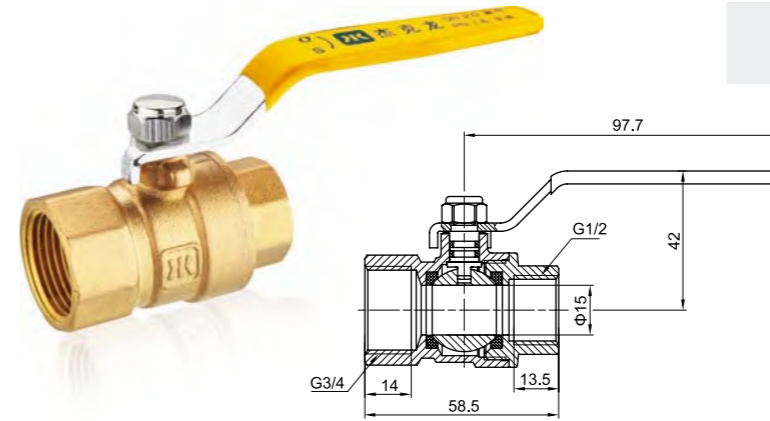
9252 黄铜燃气球阀
Brass Gas Ball Valve (RQL-PN16)

技术规范

公称压力: 1.6 MPa
工作介质: 天然气、人工煤气、液化石油气
工作温度: $-20^{\circ}\text{C} \leq t \leq 110^{\circ}\text{C}$
圆柱管螺纹符合ISO228标准

Technical Standard

Nominal Pressure: 1.6 MPa
Working Medium: Natural Gas, Artificial Gas, Liquefied Petroleum Gas
Working Temperature: $-20^{\circ}\text{C} \leq t \leq 110^{\circ}\text{C}$
Parallel Pipe Thread to ISO228



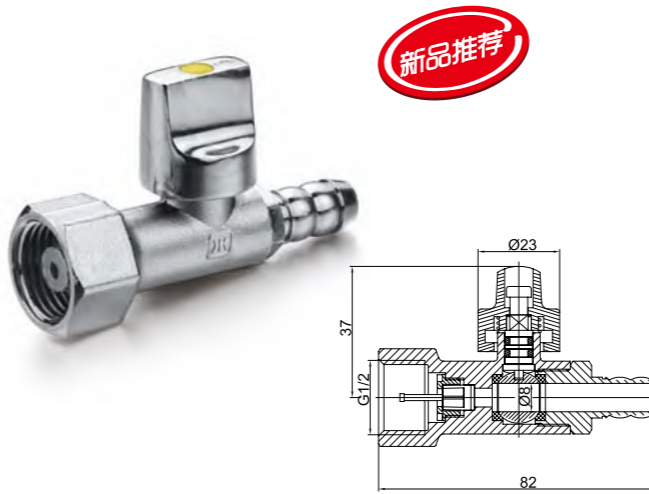
242 黄铜异径内螺纹燃气球阀
Brass Female Reduced Gas Ball Valve (RQL-PN16)

技术规范

公称压力: 1.6 MPa
工作介质: 天然气、人工煤气、液化石油气
工作温度: $-20^{\circ}\text{C} \leq t \leq 110^{\circ}\text{C}$
圆柱管螺纹符合ISO228标准

Technical Standard

Nominal Pressure: 1.6 Mpa
Working Medium: Natural Gas, Artificial Gas, Liquefied Petroleum Gas
Working Temperature: $-20^{\circ}\text{C} \leq t \leq 110^{\circ}\text{C}$
Parallel Pipe Thread to ISO228



R10110 黄铜内直嘴自动切断球阀
Automatic Shut-off Gas Ball Valve (RQJ-PN0.15)

产品特点:

1. 胶管脱落可实现自动切断介质。
2. 防儿童锁结构设计。
3. 产品介质切断后只能通过人工复位后正常工作。

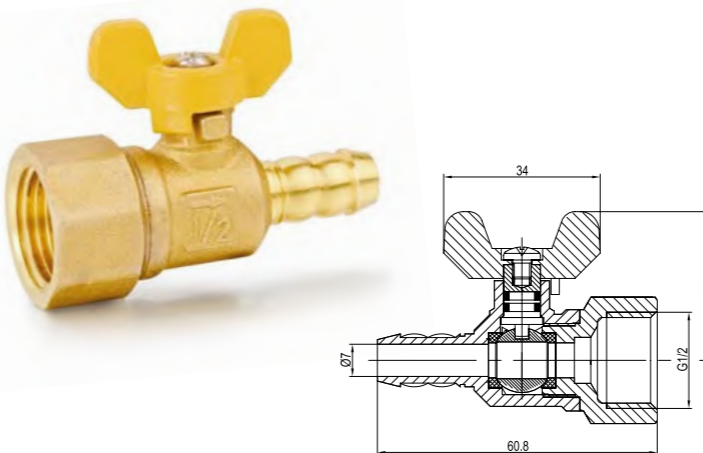
技术规范

公称压力: 0.015MPa
工作介质: 天然气、人工煤气、液化石油气
工作温度: $-20^{\circ}\text{C} \leq t \leq 80^{\circ}\text{C}$
圆柱管螺纹符合ISO228标准
过断流量: 1.2m³/h

Technical Standard

Nominal Pressure: 0.015MPa
Working Medium: Natural Gas, Artificial Gas, Liquefied Petroleum Gas
Working Temperature: $-20^{\circ}\text{C} \leq t \leq 80^{\circ}\text{C}$
Parallel Pipe Thread to ISO228
Shutoff During Overflow: 1.2m³/h

★ 旋钮采用下压结构，阀门具有自动过流切断功能。



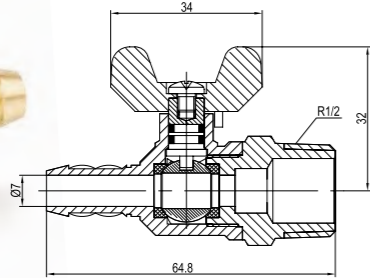
9233 黄铜内螺纹燃气直嘴φ9.5
Brass Female Thread Integral Leakproof Gas Ball Valve (RQJ-PN0.15)

技术规范

公称压力: 0.015MPa
工作介质: 天然气、人工煤气、液化石油气
工作温度: $-20^{\circ}\text{C} \leq t \leq 110^{\circ}\text{C}$
圆柱管螺纹符合ISO228标准

Technical Standard

Nominal Pressure: 0.015MPa
Working Medium: Natural Gas, Artificial Gas, Liquefied Petroleum Gas
Working Temperature: $-20^{\circ}\text{C} \leq t \leq 110^{\circ}\text{C}$
Parallel Pipe Thread to ISO228



9234 黄铜外螺纹燃气直嘴φ9.5
Brass Male Screw Leakproof Gas Ball Valve With Mouth (RQJ-PN0.15)

技术规范
公称压力: 0.015MPa
工作介质: 天然气、人工煤气、液化石油气
工作温度: -20℃≤t≤110℃
圆锥管螺纹符合ISO7标准

Technical Standard
Nominal Pressure: 0.015 MPa
Working Medium: Natural gas, Artificial gas, Liquefied petroleum gas
Working Temperature: -20℃≤t≤110℃
Parallel Pipe to ISO7



236

黄铜内螺纹双接管防泄漏燃气球阀
Brass Female Screw Leakproof Gas Ball Valve With Double Mouth (RQJ-PN0.15)



235

黄铜外螺纹双接管防泄漏燃气球阀
Brass Male Screw Leakproof Gas Ball Valve With Double Mouth (RQJ-PN0.15)



247

黄铜燃气球阀
Brass Gas Ball Valve (RQT-PN0.15)



9201

黄铜铝塑管内丝燃气球阀
Brass Gas Ball Valve Fx F For PEX-AI-PEX (RQT-PN16)



9202

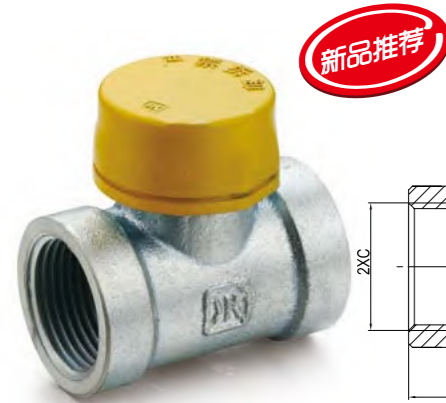
黄铜铝塑管外丝燃气球阀
Brass Gas Ball Valve Mx F For PEX-AI-PEX (RQT-PN16)



9203

黄铜铝塑管燃气球阀
Brass Gas Ball Valve For PEX-AI-PEX (RQT-PN16)

燃气立管专用系列
GAS BALL VALVES FOR GAS PIPES



TF-300 防拆异径三通
Anti-theft Reducing Tee

产品特点:
1. 预留口防拆罩一旦破坏不可复原。
2. 防拆罩黄色警示标识, 并带“严禁拆卸”字样。
3. 预留口为全径尺寸。

技术规范
公称压力: 0.8MPa
工作介质: 天然气、人工煤气、液化石油气
工作温度: -20℃≤t≤110℃
圆锥管螺纹符合ISO7标准
圆柱管螺纹符合ISO228标准

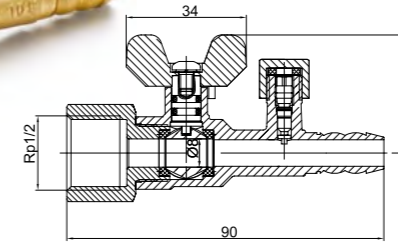
Technical Standard
Nominal Pressure: 0.8 MPa
Working Medium: Natural gas, Artificial gas, Liquefied petroleum gas
Working Temperature: -20℃≤t≤110℃
Taper Pipe Thread to ISO7
Parallel Pipe Thread to ISO228

DN	A	B	C
25	65	48	G1xG1
32	70	53	G1 ¹ / ₄ xG1 ¹ / ₄
40	87	55	G1 ¹ / ₂ xG1 ¹ / ₂
50	100	68	G2xG2

测压系列燃气球阀
PRESSURE TESTING GAS BALL VALVE



新品推荐



★可实现带气测压, 测压时使用专用测压工具。

R10001 黄铜内直嘴测压球阀
Gas Ball Valve With Nozzle (RQJ-PN0.15)

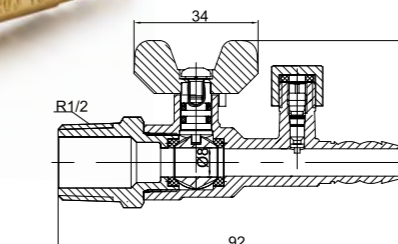
技术规范
公称压力: 0.015MPa
工作介质: 天然气、人工煤气、液化石油气
工作温度: -20℃≤t≤110℃
圆锥管螺纹符合ISO7标准
圆柱管螺纹符合ISO228标准

Technical Standard
Nominal Pressure: 0.015 MPa
Working Medium: Natural gas, Artificial gas, Liquefied petroleum gas
Working Temperature: -20℃≤t≤110℃
Taper Pipe Thread to ISO7
Parallel Pipe Thread to ISO228

密封件选用M111/日本大金材料
O型圈选用意大利NBR材料, 符合EN682标准



新品推荐



★可实现带气测压, 测压时使用专用测压工具。

R10002 黄铜外直嘴测压球阀
Gas Ball Valve With Nozzle (RQJ-PN0.15)

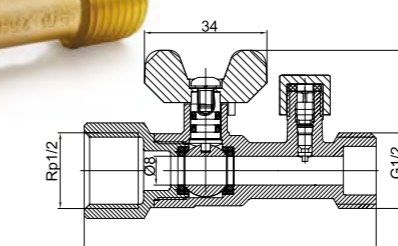
技术规范
公称压力: 0.015MPa
工作介质: 天然气、人工煤气、液化石油气
工作温度: -20℃≤t≤110℃
圆锥管螺纹符合ISO7标准
圆柱管螺纹符合ISO228标准

Technical Standard
Nominal Pressure: 0.015 MPa
Working Medium: Natural gas, Artificial gas, Liquefied petroleum gas
Working Temperature: -20℃≤t≤110℃
Taper Pipe Thread to ISO7
Parallel Pipe Thread to ISO228

密封件选用M111/日本大金材料
O型圈选用意大利NBR材料, 符合EN682标准



新品推荐



★可实现带气测压, 测压时使用专用测压工具。

R10102 黄铜外螺纹测压球阀
Gas Ball Valve MM (RQZ-PN0.15)

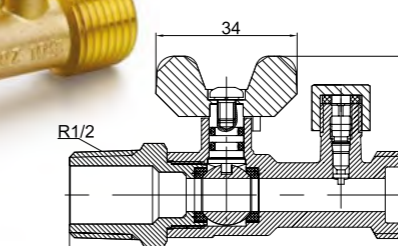
技术规范
公称压力: 0.015MPa
工作介质: 天然气、人工煤气、液化石油气
工作温度: -20℃≤t≤110℃
圆锥管螺纹符合ISO7标准
圆柱管螺纹符合ISO228标准

Technical Standard
Nominal Pressure: 0.015 MPa
Working Medium: Natural gas, Artificial gas, Liquefied petroleum gas
Working Temperature: -20℃≤t≤110℃
Taper Pipe Thread to ISO7
Parallel Pipe Thread to ISO228

密封件选用M111/日本大金材料
O型圈选用意大利NBR材料, 符合EN682标准



新品推荐



★可实现带气测压, 测压时使用专用测压工具。

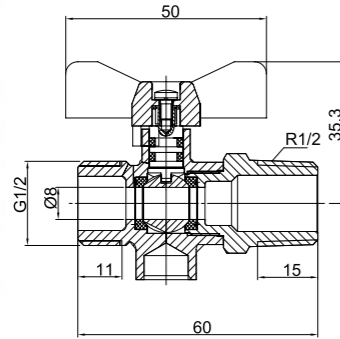
R10101 黄铜内外螺纹测压球阀
Gas Ball Valve FM (RQZ-PN0.15)

技术规范
公称压力: 0.015MPa
工作介质: 天然气、人工煤气、液化石油气
工作温度: -20℃≤t≤110℃
圆锥管螺纹符合ISO7标准
圆柱管螺纹符合ISO228标准

Technical Standard
Nominal Pressure: 0.015 MPa
Working Medium: Natural gas, Artificial gas, Liquefied petroleum gas
Working Temperature: -20℃≤t≤110℃
Taper Pipe Thread to ISO7
Parallel Pipe Thread to ISO228

密封件选用M111/日本大金材料
O型圈选用意大利NBR材料, 符合EN682标准

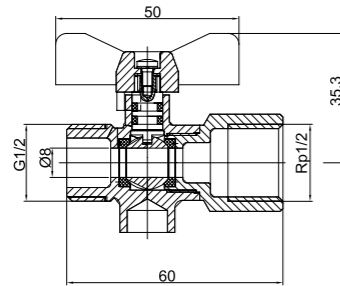
波纹管燃气球阀系列
GAS BALL VALVE FOR WAVY HOSES



R10201 黄铜外螺纹带底座球阀
Gas Ball Valve MM (RQZ-PN0.15)

技术规范	Technical Standard
公称压力: 0.015MPa	Nominal Pressure: 0.015 MPa
工作介质: 天然气、人工煤气、液化石油气	Working Medium: Natural gas, Artificial gas, Liquefied petroleum gas
工作温度: $-20^{\circ}\text{C} \leq t \leq 110^{\circ}\text{C}$	Working Temperature: $-20^{\circ}\text{C} \leq t \leq 110^{\circ}\text{C}$
圆锥管螺纹符合ISO7标准	Taper Pipe Thread to ISO7
圆柱管螺纹符合ISO228标准	Parallel Pipe Thread to ISO228

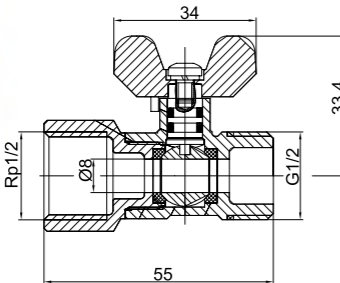
密封件选用M111/日本大金材料
O型圈选用意大利NBR材料, 符合EN682标准



R10202 黄铜内外螺纹带底座球阀
Gas Ball Valve FM (RQZ-PN0.15)

技术规范	Technical Standard
公称压力: 0.015MPa	Nominal Pressure: 0.015 MPa
工作介质: 天然气、人工煤气、液化石油气	Working Medium: Natural gas, Artificial gas, Liquefied petroleum gas
工作温度: $-20^{\circ}\text{C} \leq t \leq 110^{\circ}\text{C}$	Working Temperature: $-20^{\circ}\text{C} \leq t \leq 110^{\circ}\text{C}$
圆锥管螺纹符合ISO7标准	Taper Pipe Thread to ISO7
圆柱管螺纹符合ISO228标准	Parallel Pipe Thread to ISO228

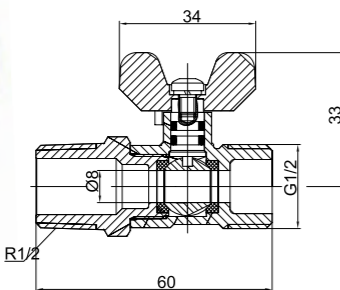
密封件选用M111/日本大金材料
O型圈选用意大利NBR材料, 符合EN682标准



R10401 黄铜内外螺纹波纹管球阀
Gas Ball Valve FM (RQZ-PN0.15)

技术规范	Technical Standard
公称压力: 0.015MPa	Nominal Pressure: 0.015 MPa
工作介质: 天然气、人工煤气、液化石油气	Working Medium: Natural gas, Artificial gas, Liquefied petroleum gas
工作温度: $-20^{\circ}\text{C} \leq t \leq 110^{\circ}\text{C}$	Working Temperature: $-20^{\circ}\text{C} \leq t \leq 110^{\circ}\text{C}$
圆锥管螺纹符合ISO7标准	Taper Pipe Thread to ISO7
圆柱管螺纹符合ISO228标准	Parallel Pipe Thread to ISO228

密封件选用M111/日本大金材料
O型圈选用意大利NBR材料, 符合EN682标准



R10402 黄铜外螺纹波纹管球阀
Gas Ball Valve MM (RQZ-PN0.15)

技术规范	Technical Standard
公称压力: 0.015MPa	Nominal Pressure: 0.015 MPa
工作介质: 天然气、人工煤气、液化石油气	Working Medium: Natural gas, Artificial gas, Liquefied petroleum gas
工作温度: $-20^{\circ}\text{C} \leq t \leq 110^{\circ}\text{C}$	Working Temperature: $-20^{\circ}\text{C} \leq t \leq 110^{\circ}\text{C}$
圆锥管螺纹符合ISO7标准	Taper Pipe Thread to ISO7
圆柱管螺纹符合ISO228标准	Parallel Pipe Thread to ISO228

密封件选用M111/日本大金材料
O型圈选用意大利NBR材料, 符合EN682标准

燃气表接头系列
COUPLINGS FOR GAS METERS



T-219

黄铜燃气表接头



T-200

黄铜弯管燃气表接头



TC-900

黄铜测压燃气表接头



4602

黄铜燃气表接头



T120A

防盗燃气表接头



TF-901

黄铜防盗燃气表接头



T-217

防盗燃气表接头



T213

碳钢燃气表接头



T214

碳钢防盗燃气表接头



T216

黄铜弯管接头



T206

黄铜铝塑管45°燃气表接头



T210

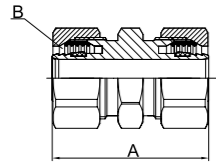
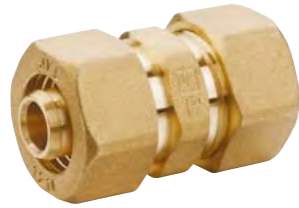
内丝直接表接头



T210

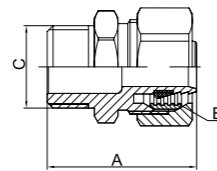
黄铜铝塑管90°燃气表接头

燃气铝塑专用管件
FITTINGS FOR GAS AL-PLASTIC PIPES



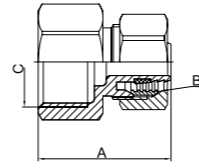
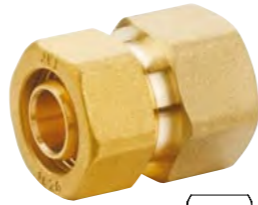
Size	A	B
S1216x1216	47	1216
S1418x1418	50	1418
S1620x1620	50	1620

F100 黄铜铝塑复合管接头
等径直通管接头



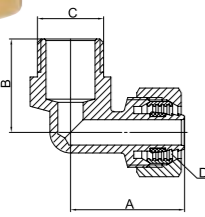
Size	A	B	C
S1216x1/2M	37	1216	1/2
S1418x1/2M	38	1418	1/2

F100 黄铜铝塑复合管接头
外牙直通管接头



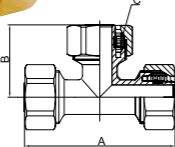
Size	A	B	C
S1216x1/2F	36	1216	1/2
S1216x3/4F	39	1216	1/2
S1418x1/2F	38	1418	1/2
S1620x3/4F	39	1620	3/4

F100 黄铜铝塑复合管接头
内牙直通管接头



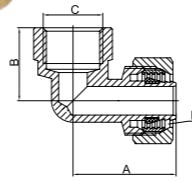
Size	A	B	C	D
L1216x1/2M	36	29.5	1/2	1216

F100 黄铜铝塑复合管接头
外牙弯头



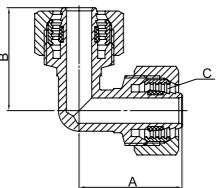
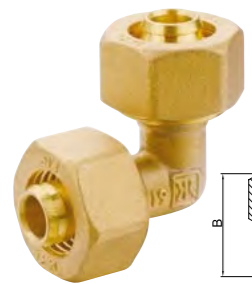
Size	A	B	C
T1216x1216x1216	68	33	1216
T1418x1418x1418	70	34	1418
T1620x1620x1620	74	35.5	1620

F100 黄铜铝塑复合管接头
等径三通管接头



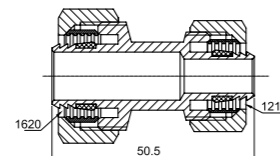
Size	A	B	C	D
L1216x1/2F	36	24.5	1/2	1216
L1418x1/2F	36	25.5	1/2	1418
L1620x1/2F	36	26	1/2	1620

F100 黄铜铝塑复合管接头
内牙弯头



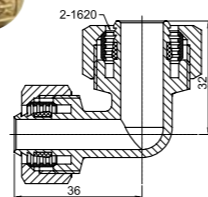
Size	A	B	C
L1216x1216	32.5	32.5	1216

F100
等径弯头



S1216x1620

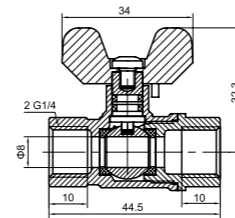
T-210
异径直接



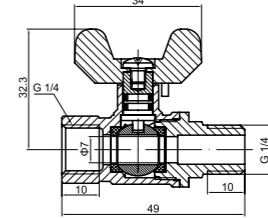
L1216x1620

T-210
异径弯头

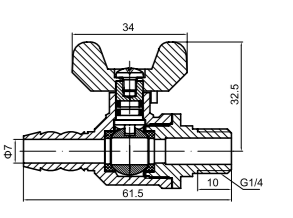
燃气铝塑专用管件
FITTINGS FOR GAS AL-PLASTIC PIPES



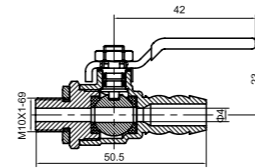
9204
黄铜内螺纹球阀



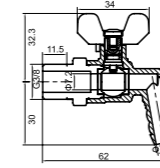
9212
黄铜内外螺纹球阀



9213
黄铜内外螺纹球阀



9214
黄铜外丝直嘴球阀



9210
黄铜外丝弯嘴球阀



卓越精工, 自然出众!

其它配件
OTHER ACCESSORIES



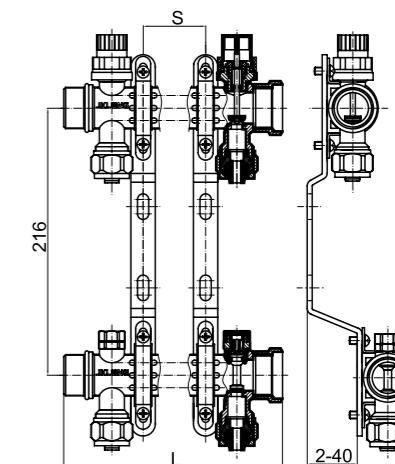
T119
燃气格林接头



SJ-806
陶瓷三角阀



209
黄铜PPR球阀



F613 一体式调节分集水器

Integrated Regulating Manifold

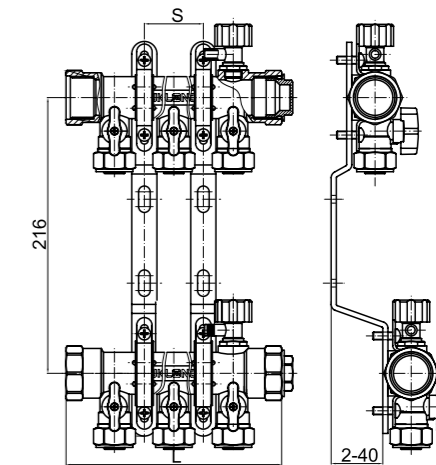
技术规范

材质: 黄铜本色
公称压力: PN16
介质温度: $0^{\circ}\text{C} \leq t \leq 100^{\circ}\text{C}$
主管通径: DN25
支管规格: 1216/1620
间距: 50mm
连接端口: G1"外螺纹xG1"内螺纹
控制接口: M30X1.5mm, 行程3mm(14-11)

Technical Standard

Material: Brass
Nominal Pressure: 1.6Mpa
Working Temperature: $0^{\circ}\text{C} \leq t \leq 100^{\circ}\text{C}$
Main Pipe Size: DN25
Branch Pipe Size: 1216/1620
Connector: G1"male xG1"female
Control Connector: M30X1.5mm

路数 (n)	2	3	4	5	6
支路间距	50				
总长 (L)	123	173	223	273	323
支架间距 (S)	/	50	100	150	200



F614 一体式球阀型分集水器

Integrated Manifold With Ball Valve

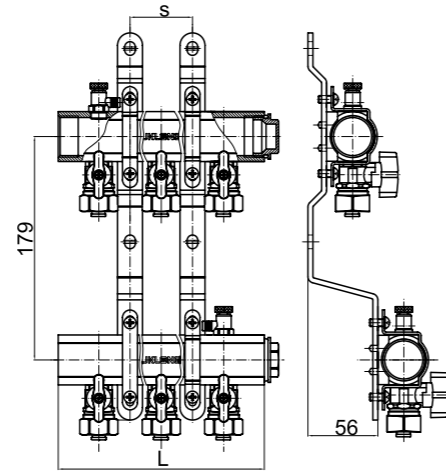
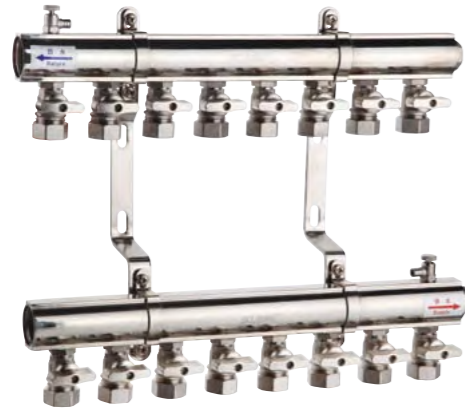
技术规范

材质: 黄铜表面镀镍
公称压力: PN16
使用温度: $0^{\circ}\text{C} \leq t \leq 100^{\circ}\text{C}$
主管通径: DN25
支管规格: 1216/1620
间距: 46mm
连接接口: 2xG1"内螺纹

Technical Standard

Material: Brass
Nominal Pressure: 1.6Mpa
Working Temperature: $0^{\circ}\text{C} \leq t \leq 100^{\circ}\text{C}$
Main Pipe Size: DN25
Branch Pipe Size: 1216/1620
Interval: 46mm
Connector: 2xG1"female

路数 (n)	2	3	4	5	6
支路间距	46				
总长 (L)	121	167	213	259	305
支架间距 (S)	/	46	92	138	184

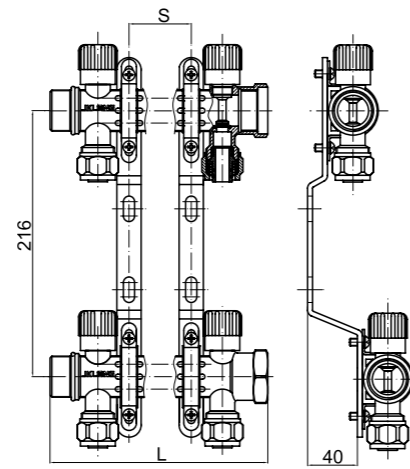


F616 型材式球阀型分集水器
Strip-type Manifold With Ball Valve

技术规范
材质: 黄铜表面镀镍
公称压力: PN16
使用温度: 0°C≤t≤100°C
主管通径: DN25
支管规格: 1216/1620 间距: 50mm
连接接口: 2xG1"内螺纹

Technical Standard
Material: Brass
Nominal Pressure: 1.6Mpa
Working Temperature: 0°C≤t≤100°C
Main Pipe Size: DN25
Branch Pipe Size: 1216/1620
Interval: 50mm
Connector: 2xG1"female

路数 (n)	2	3	4	5	6	7	8	9	10
支路间距	50								
总长 (L)	105	155	205	255	305	355	405	455	505
支架间距 (S)	/	50	100	150	200	250	300	350	400



F613A 一体式手动调节型分集水器
Integrated Regulating Manifold

技术规范
材质: 黄铜本色
公称压力: PN16
介质温度: 0°C≤t≤100°C
主管通径: DN25
支管规格: 1216/1620
间距: 50mm连接端口: G1"外螺纹xG1"内螺纹

Technical Standard
Material: Brass
Nominal Pressure: 1.6Mpa
Working Temperature: 0°C≤t≤100°C
Main Pipe Size: DN25
Branch Pipe Size: 1216/1620
Connector: G1"male xG1"female

路数 (n)	2	3	4	5	6
支路间距	50				
总长 (L)	123	173	223	273	323
支架间距 (S)	/	50	100	150	200

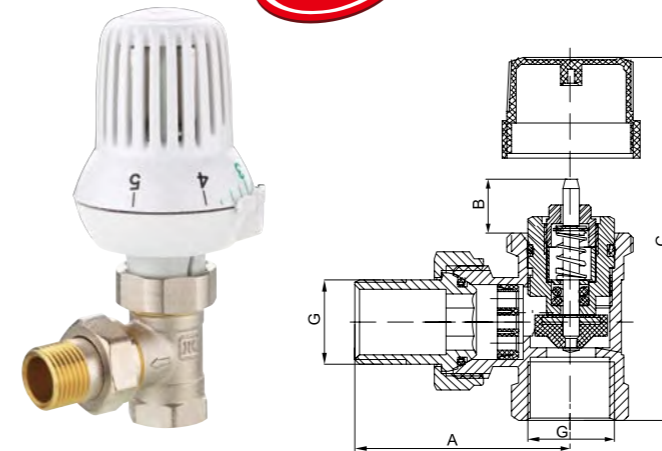


769/770 电热温控调节阀
Electric Heating Valve

特点
采用电热执行器与截止型阀体结合使用, 更加安静, 推力稳定。
采用截止控制, 可实现开启高度任意控制。
驱动器之平面设计可以贴近墙面安装, 占用空间小。产品可靠耐用, 工作噪音低。

技术参数

规格	联接螺纹	工作介质	流体温度	环境温度	公称压力	电气规格
DN25	G1"	冷冻水/热水	0-94°C	0-40°C	1.6 MPa	24V(定制) 220V(常规)
DN32	G1 1/4"					



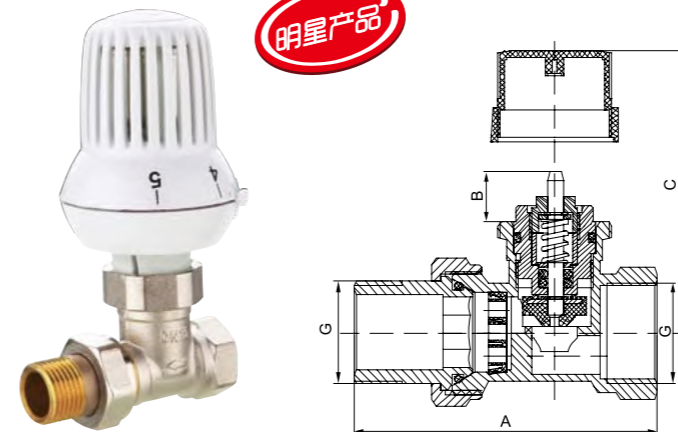
具有带水带压换阀芯的功能;
配有专用安装工具, 极大提高产品安装及维护效率。

371 黄铜自动温控阀
Brass Automatic-controlled Radiator(J34W-16T)

技术规范
公称压力: 1.6 MPa
工作介质: 水、饱和蒸汽 (≤0.6MPa)
工作温度: 0°C≤t≤120°C
温控范围: 6°C~28°C
圆柱管螺纹符合ISO228标准

Technical Standard
Nominal Pressure: 1.6 Mpa
Working Medium: Water,Saturated steam(≤0.6MPa)
Working Temperature: 0°C≤t≤120°C
Temperature Range: 6°C~28°C
Parallel Pipe Thread to ISO228

DN	Size	A	B	C	G
15	1/2	51.5	13.4	62.4	1/2
20	3/4	57.5	13.4	65.7	3/4
25	1	62.5	13.4	73.7	1



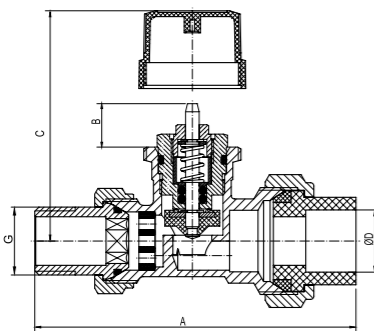
具有带水带压换阀芯的功能;
配有专用安装工具, 极大提高产品安装及维护效率。

372 黄铜自动温控阀
Brass Automatic-controlled Radiator(J34W-16T)

技术规范
公称压力: 1.6 MPa
工作介质: 水、饱和蒸汽 (≤0.6MPa)
工作温度: 0°C≤t≤120°C
温控范围: 6°C~28°C
圆柱管螺纹符合ISO228标准

Technical Standard
Nominal Pressure: 1.6 Mpa
Working Medium: Water,Saturated steam(≤0.6MPa)
Working Temperature: 0°C≤t≤120°C
Temperature Range: 6°C~28°C
Parallel Pipe Thread to ISO228

DN	Size	A	B	C	G
15	1/2	74.5	13.4	48.7	1/2
20	3/4	79.5	13.4	49.7	3/4
25	1	83.5	13.4	50.7	1



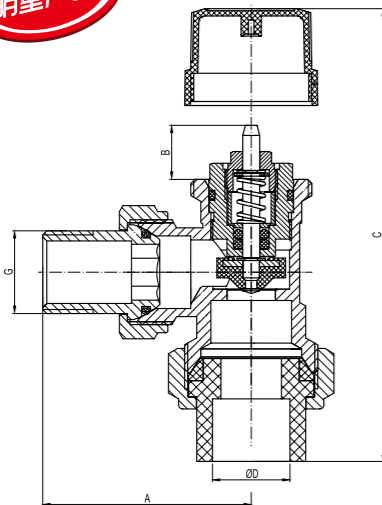
374 PPR黄铜自动温控阀(高阻尼)
Brass Automatic-controlled Radiator(J34W-16T)

技术规范	Technical Standard
公称压力: 1.6 MPa	Nominal Pressure: 1.6 MPa
工作介质: 水、饱和蒸汽 (≤0.6MPa)	Working Medium: Water,Saturated steam(≤0.6MPa)
工作温度: 0°C≤t≤120°C	Working Temperature: 0°C≤t≤120°C
温控范围: 6°C~28°C	Temperature Range: 6°C~28°C
圆柱管螺纹符合ISO228标准	Parallel Pipe Thread to ISO228

备注: 接头材质可选择PPR、PB、PERT

DN	G	A	B	C	D
15	1/2	98	13.4	48.7	19.2
20	3/4	106.4	13.4	48.7	24.1
25	1	115	13.4	48.7	31

具有带水带压换阀芯的功能;
配有专用安装工具, 极大提高产品安装及维护效率。



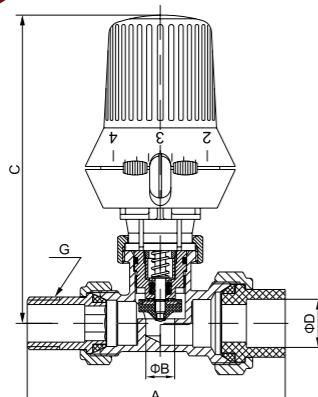
364 PPR黄铜自动温控阀
Brass Automatic-controlled Radiator(J34W-16T)

技术规范	Technical Standard
公称压力: 1.6 MPa	Nominal Pressure: 1.6 MPa
工作介质: 水、饱和蒸汽 (≤0.6MPa)	Working Medium: Water,Saturated steam(≤0.6MPa)
工作温度: 0°C≤t≤120°C	Working Temperature: 0°C≤t≤120°C
温控范围: 6°C~28°C	Temperature Range: 6°C~28°C
圆柱管螺纹符合ISO228标准	Parallel Pipe Thread to ISO228

备注: 接头材质可选择PPR、PB、PERT

DN	G	A	B	C	D
15	1/2	51.5	13.4	62.4	19.2
20	3/4	57.5	13.4	94.7	24.1
25	1	62.2	13.4	106	31

具有带水带压换阀芯的功能;
配有专用安装工具, 极大提高产品安装及维护效率。



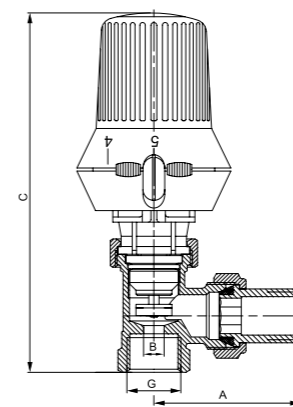
365 黄铜PB自动温控阀
Brass PB Automatic-controlled Radiator (J61W-16T)

技术规范	Technical Standard
公称压力: 1.6 MPa	Nominal Pressure: 1.6 MPa
工作介质: 水、饱和蒸汽 (≤0.6MPa)	Working Medium: Water,Saturated steam(≤0.6MPa)
工作温度: 0°C≤t≤120°C	Working Temperature: 0°C≤t≤120°C
温控范围: 6°C~28°C	Temperature Range: 6°C~28°C
圆柱管螺纹符合ISO228标准	Parallel Pipe Thread to ISO228

备注: 接头材质可选择PPR、PB、PERT

DN	Size	A	B	C	D	G
15	1/2	103	13	122	19.2	1/2
20	3/4	113	13	122	24.1	3/4

具有带水带压换阀芯的功能;
配有专用安装工具, 极大提高产品安装及维护效率。

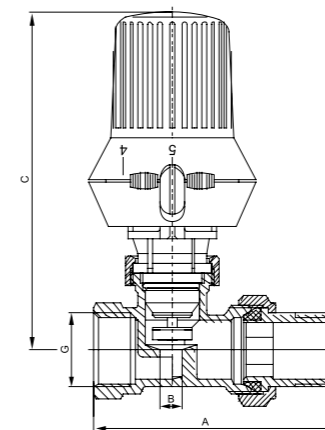


368 黄铜自动温控阀
Brass Automatic-controlled Radiator(J34W-16T)

技术规范	Technical Standard
公称压力: 1.6 MPa	Nominal Pressure: 1.6 MPa
工作介质: 水、饱和蒸汽 (≤0.6MPa)	Working Medium: Water,Saturated steam(≤0.6MPa)
工作温度: 0°C≤t≤120°C	Working Temperature: 0°C≤t≤120°C
温控范围: 6°C~28°C	Temperature Range: 6°C~28°C
圆柱管螺纹符合ISO228标准	Parallel Pipe Thread to ISO228

DN	Size	A	B	C	G
15	1/2	57	8	140	1/2
20	3/4	63	8	140	3/4

具有带水带压换阀芯的功能;
配有专用安装工具, 极大提高产品安装及维护效率。

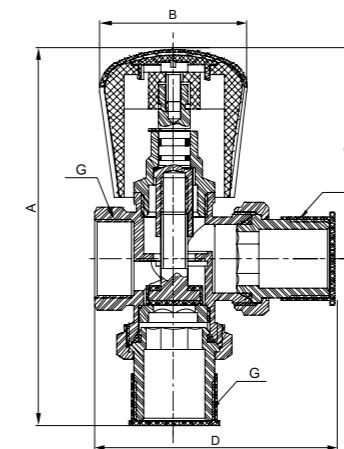


369 黄铜自动温控阀
Brass Automatic-controlled Radiator(J34W-16T)

技术规范	Technical Standard
公称压力: 1.6 MPa	Nominal Pressure: 1.6 MPa
工作介质: 水、饱和蒸汽 (≤0.6MPa)	Working Medium: Water,Saturated steam(≤0.6MPa)
工作温度: 0°C≤t≤120°C	Working Temperature: 0°C≤t≤120°C
温控范围: 6°C~28°C	Temperature Range: 6°C~28°C
圆柱管螺纹符合ISO228标准	Parallel Pipe Thread to ISO228

DN	Size	A	B	C	G
15	1/2	81	12	122	1/2
20	3/4	88.5	13	122	3/4
25	1	90.5	14	122	1

具有带水带压换阀芯的功能;
配有专用安装工具, 极大提高产品安装及维护效率。



363 黄铜三通温控手动调节阀
Brass 3-way Hand Temperature-controlled Valve(J38X-16T)

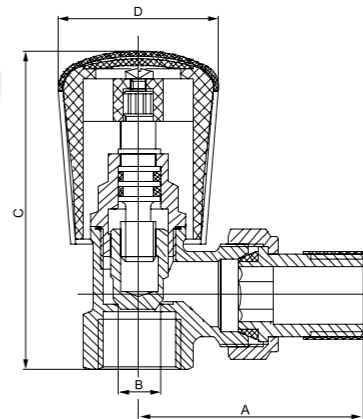
技术规范	Technical Standard
公称压力: 1.6 MPa	Nominal Pressure: 1.6 MPa
工作介质: 水、饱和蒸汽 (≤0.6MPa)	Working Medium: Water,Saturated steam(≤0.6MPa)
工作温度: ≤120°C	Working Temperature: ≤120°C
圆柱管螺纹符合ISO228标准	Parallel Pipe Thread to ISO228

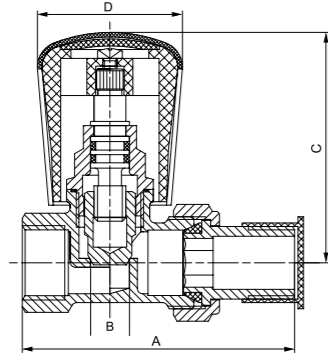
DN	Size	A	B	C	D	G
20	3/4	124	48.7	69	80	3/4
25	1	137.5	48.7	75	88	1
32	1 1/4	157	54.7	81	105	1 1/4

338 黄铜温控手动调节阀
Brass Hand Temperature-controlled Valve (J31W-16T)

技术规范	Technical Standard
公称压力: 1.6 MPa	Nominal Pressure: 1.6 MPa
工作介质: 水、饱和蒸汽 (≤0.6MPa)	Working Medium: Water,Saturated steam(≤0.6MPa)
工作温度: -10°C≤t≤120°C	Working Temperature: -10°C≤t≤120°C
圆锥管螺纹符合ISO7标准	Taper Pipe Thread to ISO7
圆柱管螺纹符合ISO228标准	Parallel Pipe Thread to ISO228

DN	Size	A	B	C	D
15	1/2	59	11	81.5	41
20	3/4	62.5	15.5	88.35	48
25	1	67.4	19	93.3	48.7



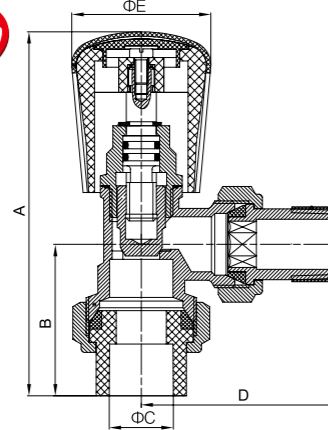


339 黄铜温控手动调节阀
Brass Hand Temperature-controlled Valve (J31W-16T)

技术规范
公称压力: 1.6 MPa
工作介质: 水、饱和蒸汽
(≤0.6Mpa)
工作温度: -10℃≤t≤120℃
圆锥管螺纹符合ISO7标准
圆柱管螺纹符合ISO228标准

Technical Standard
Nominal Pressure: 1.6 Mpa
Working Medium: Water, Saturated steam (≤0.6Mpa)
Working Temperature: -10℃≤t≤120℃
Taper Pipe Thread to ISO7
Parallel Pipe Thread to ISO228

DN	Size	A	B	C	D
15	1/2	79	11	66	41
20	3/4	90	72.3	88.35	48
25	1	97.5	19	73.3	48.7



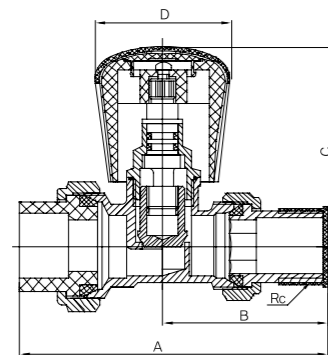
340 黄铜温控PPR手动调节阀
Brass Hand Temperature-controlled Valve With PPR (J64W-16T)

技术规范
公称压力: 1.6 MPa
工作介质: 水、饱和蒸汽
(≤0.6Mpa)
工作温度: t≤120℃
圆柱管螺纹符合ISO228标准

Technical Standard
Nominal Pressure: 1.6 Mpa
Working Medium: Water, Saturated steam (≤0.6Mpa)
Working Temperature: t≤120℃
Parallel Pipe Thread to ISO228

备注: 接头材质可选择PPR、PB、PERT

DN	A	B	C	D	E
15	109	45.5	19.2	59.5	41
20	121.5	53.5	24	62.5	48



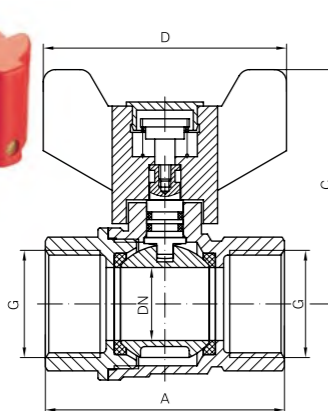
345 黄铜温控PPR手动调节阀
Brass Hand Temperature-controlled Valve With PPR (J64W-16T)

技术规范
公称压力: 1.6 MPa
工作介质: 水、饱和蒸汽
(≤0.6Mpa)
工作温度: -10℃≤t≤120℃
圆柱管螺纹符合ISO228标准

Technical Standard
Nominal Pressure: 1.6 Mpa
Working Medium: Water, Saturated steam (≤0.6Mpa)
Working Temperature: -10℃≤t≤120℃
Parallel Pipe Thread to ISO228

备注: 接头材质可选择PPR、PB、PERT

DN	Size	A	B	C	D	Rc
15	1/2	103	52.5	66	41	1/2
20	3/4	112	60	73	48	3/4



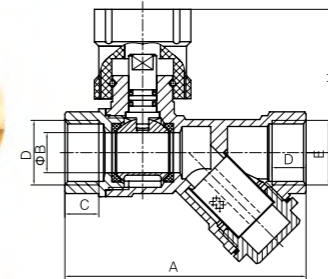
9269 黄铜多功能锁式球阀
Brass Multifunctional Lockable Ball Valve (Q11F-16T)

技术规范
公称压力: 1.6 MPa
工作介质: 水、非腐蚀性液体
工作温度: -20℃≤t≤110℃
圆柱管螺纹符合ISO228标准

Technical Standard
Nominal Pressure: 1.6 Mpa
Working Medium: Water, Non-causticity liquid
Working Temperature: -20℃≤t≤110℃
Parallel Pipe Thread to ISO228

备注: 接头材质可选择PPR、PB、PERT

Size	DN	A	C	D	G
20	18	59	58	60	3/4
25	18	71	65	60	1



284 黄铜锁式过滤球阀
Brass Lockable Ball Valve With Filter (Q11F-16T)

技术规范
公称压力: 1.6 MPa
工作介质: 水、非腐蚀性液体
工作温度: -20℃≤t≤100℃
圆柱管螺纹符合ISO228标准

Technical Standard
Nominal Pressure: 1.6 Mpa
Working Medium: Water, Non-causticity liquid
Working Temperature: -20℃≤t≤100℃
Parallel Pipe Thread to ISO228

备注: 接头材质可选择PPR、PB、PERT

DN	A	B	C	D	E	H
15	78.2	13	11	11	G1/2	46.5
20	84	18	12.5	11	G3/4	50
25	101.8	23.5	13	13	G1	54.5
32	125.3	30	14	14.5	G1 1/4	59.5



640
电热执行器
Electrothermal Actuator



640A
电热执行器
Electrothermal Actuator



645
液晶采暖温控器
LCD Air-conditioning
Thermostat



644
机械采暖温控器
Mechanical Air-conditioning
Thermostat



646
触控采暖温控器
Air-conditioning Thermostat
With Touch Screen



348
黄铜温控PPR手动调节阀
Brass Hand Temperature-
controlled Valve With PPR



711
黄铜组合式自动排气阀
Brass Automatic Combined-
type Exhausting Valve



712
黄铜快速定位自动排气阀
Brass Automatic Fast-
positioning Exhausting Valve



809 多功能球阀
Muti-Functional Valve



261 黄铜过滤球阀
Brass Filter Ball Valve (Q11F-16T)



801 三合一球阀
Three-in-one Ball valve



805 多功能球阀
Muti-Functional Valve



296 黄铜磁性球阀
Brass Magnetic Ball Valve
(Q11F-16T)



802 外丝活接四合一球阀
Lockable Multifunctional
Ball Valve, Union Nut, M/M



9206 多功能球阀
Muti-Functional Valve



331 静态平衡阀
Static Balanced Valve



258 黄铜测温球阀
Brass Temperature
Measured Ball Valve



282 暖气三通球阀
Brass 3-Way Ball Valve
(For Heated-air Use) (Q35F-16T)



259 黄铜锁式球阀
Brass Ball Valve With Lock

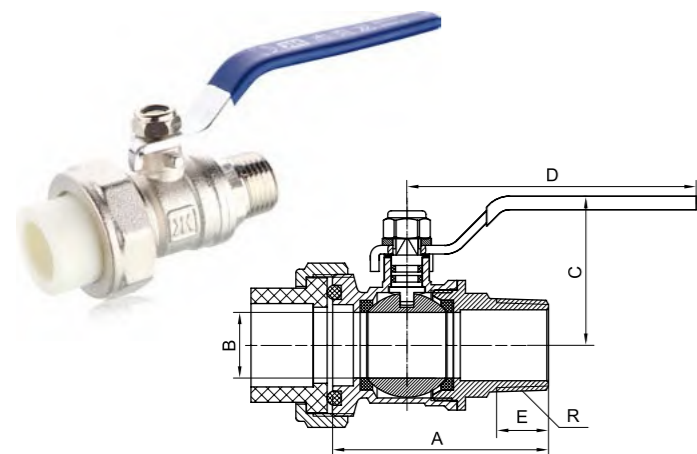


卓越精工, 自然出众!

PPR 阀门系列

PPR VALVES SERIES



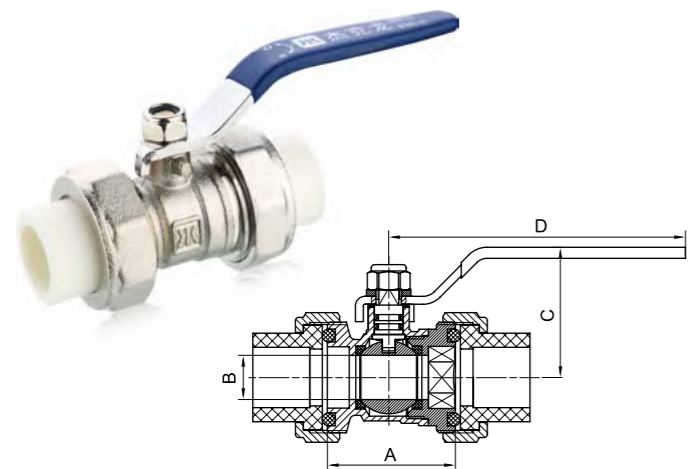


208 黄铜PPR球阀
Brass PPR Ball Valve (Q21F-16T)

技术规范 **Technical Standard**
公称压力: 1.6 MPa Nominal Pressure: 1.6 Mpa
工作介质: 水、非腐蚀性液体 Working Medium: Water, Non-causticity liquid
工作温度: $-10^{\circ}\text{C} \leq t \leq 120^{\circ}\text{C}$ Working Temperature: $-10^{\circ}\text{C} \leq t \leq 120^{\circ}\text{C}$
管螺纹符合ISO7/1标准 Taper Pipe Thread to ISO7/1

备注: 接头材质可选择PPR、PB、PERT

DN	Size	A	B	C	D	E	R
15	1/2	53.5	14	41.7	97.5	11.5	1/2
20	3/4	62.5	19	44.9	97.5	15	3/4
25	1	71.5	23.5	55.4	110	17	1
32	1 1/4	84	30	61.3	140	19	1 1/4

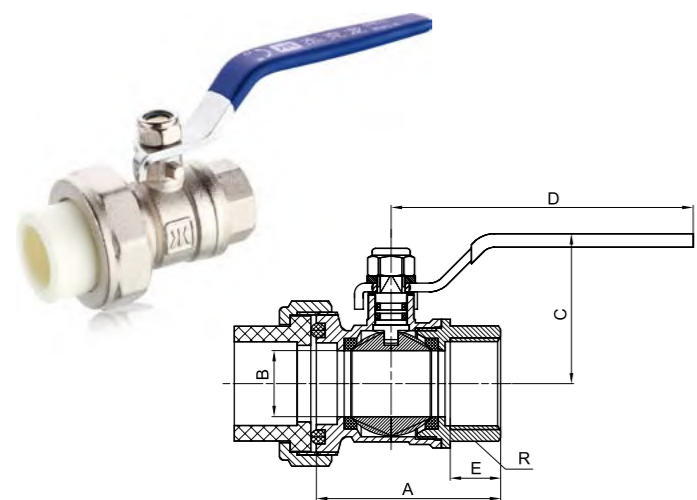


209 黄铜PPR球阀
Brass PPR Ball Valve (Q11F-16T)

技术规范 **Technical Standard**
公称压力: 1.6 MPa Nominal Pressure: 1.6 Mpa
工作介质: 水、非腐蚀性液体 Working Medium: Water, Non-causticity liquid
工作温度: $-10^{\circ}\text{C} \leq t \leq 120^{\circ}\text{C}$ Working Temperature: $-10^{\circ}\text{C} \leq t \leq 120^{\circ}\text{C}$

备注: 接头材质可选择PPR、PB、PERT

DN	Size	A	B	C	D
15	1/2	40.5	14	41.7	97.5
20	3/4	47	19	44.9	97.5
25	1	53	23.5	55.5	110
32	1 1/4	62	30	61	140
40	1 1/2	75.6	37	66	140
50	2	88	46.5	75	155

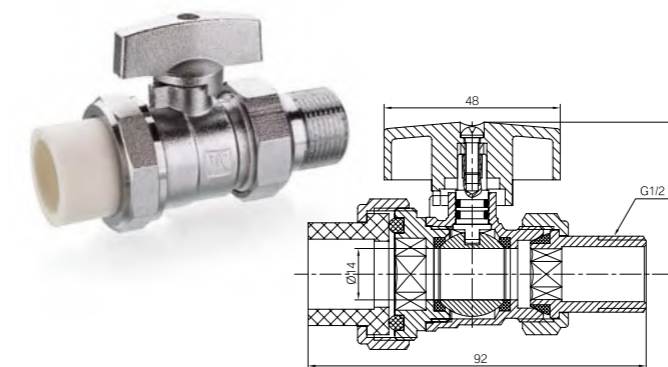


210 黄铜PPR球阀
Brass PPR Ball Valve (Q11F-16T)

技术规范 **Technical Standard**
公称压力: 1.6 MPa Nominal Pressure: 1.6 Mpa
工作介质: 水、非腐蚀性液体 Working Medium: Water, Non-causticity liquid
工作温度: $-10^{\circ}\text{C} \leq t \leq 120^{\circ}\text{C}$ Working Temperature: $-10^{\circ}\text{C} \leq t \leq 120^{\circ}\text{C}$

备注: 接头材质可选择PPR、PB、PERT

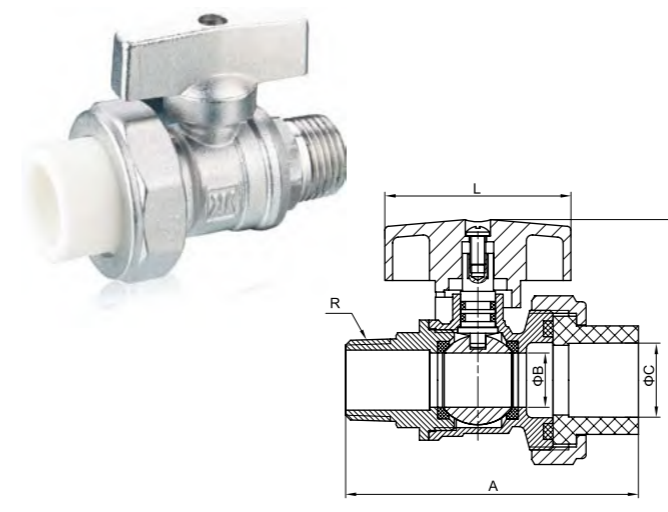
DN	Size	A	B	C	D	E	R
15	1/2	45.8	14	41.7	97.5	12.7	1/2
20	3/4	53	19	44.9	97.5	14.5	3/4
25	1	59.5	23.5	55.5	110	14	1



9208 黄铜外螺纹PPR双活接球阀
Brass PPR Ball Valve With Double Male Union

技术规范 **Technical Standard**
公称压力: 1.6 MPa Nominal Pressure: 1.6 Mpa
工作介质: 水、非腐蚀性液体 Working Medium: Water, Non-causticity liquid
工作温度: $-20^{\circ}\text{C} \leq t \leq 120^{\circ}\text{C}$ Working Temperature: $-20^{\circ}\text{C} \leq t \leq 120^{\circ}\text{C}$
圆锥管螺纹符合ISO7-1标准 Taper Pipe Thread to ISO7-1

备注: 接头材质可选择PPR、PB、PERT

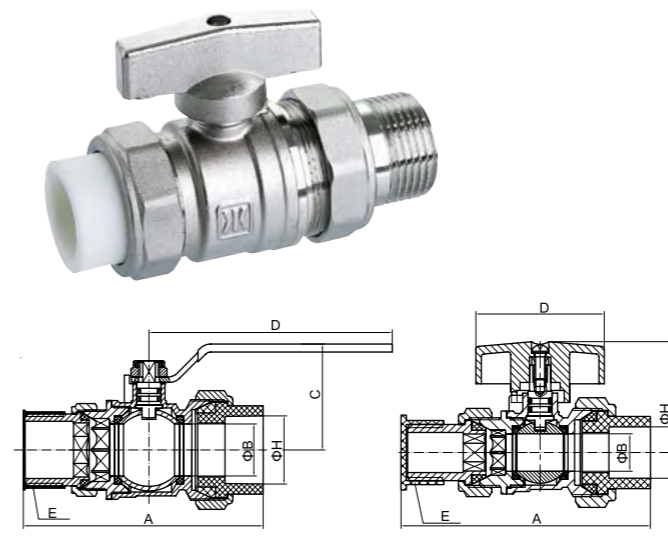


204 黄铜PB球阀
Brass PB Ball Valve (Q21F-16T)

技术规范 **Technical Standard**
公称压力: 1.6 MPa Nominal Pressure: 1.6 Mpa
工作介质: 水、非腐蚀性液体 Working Medium: Water, Non-causticity liquid
工作温度: $-10^{\circ}\text{C} \leq t \leq 120^{\circ}\text{C}$ Working Temperature: $-10^{\circ}\text{C} \leq t \leq 120^{\circ}\text{C}$
圆锥管螺纹符合ISO7-1标准 Taper Pipe Thread to ISO7-1

备注: 接头材质可选择PPR、PB、PERT

DN	A	B	C	H	L	R
15	75.5	14	19	41.4	48	1/2
20	84.5	19	24	44.6	48	3/4

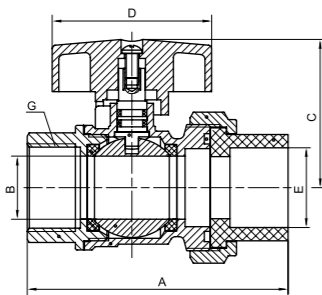


204A 黄铜活接PPR球阀
Brass PPR Ball Valve

技术规范 **Technical Standard**
公称压力: 1.6 MPa Nominal Pressure: 1.6 Mpa
工作介质: 水、非腐蚀性液体 Working Medium: Water, Non-causticity liquid
工作温度: $-20^{\circ}\text{C} \leq t \leq 100^{\circ}\text{C}$ Working Temperature: $-20^{\circ}\text{C} \leq t \leq 100^{\circ}\text{C}$
圆锥管螺纹符合ISO7-1标准 Taper Pipe Thread to ISO7-1

备注: 接头材质可选择PPR、PB、PERT

DN	A	B	C	D	E	H
1/2x20	93	14	41	48	G1/2	20
3/4x25	109	19	44.5	48	G3/4	25
1x25	115	19	54	60	G1	25
1x32	121	23.5	54	60	G1	32
1 1/4x40 (长手柄)	140	30	61	140	G1 1/4	40

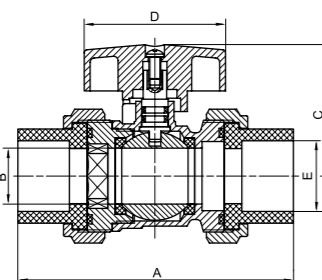


205 黄铜单活接头PPR球阀
Brass PPR Ball Valve With Female Union (Q11F-16T)

技术规范	Technical Standard
公称压力: 1.6 MPa	Nominal Pressure: 1.6 Mpa
工作介质: 水、非腐蚀性液体	Working Medium: Water, Non-causticity liquid
工作温度: $-10^{\circ}\text{C} \leq t \leq 120^{\circ}\text{C}$	Working Temperature: $-10^{\circ}\text{C} \leq t \leq 120^{\circ}\text{C}$
圆柱管螺纹符合ISO228标准	Parallel Pipe Thread to ISO228

备注: 接头材质可选择PPR、PB、PERT

DN	Size	A	B	C	D	E	G
15	1/2	68	14	41.4	48	19.1	1/2
20	3/4	75	19	44.6	48	24	3/4

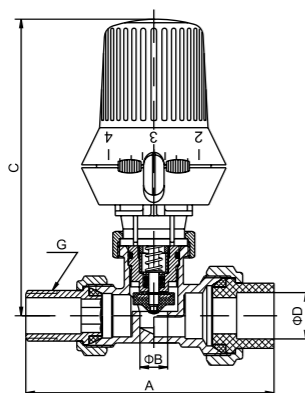


211 黄铜双活接头PPR球阀
Brass PPR Ball Valve With Double Female Union (Q11F-16T)

技术规范	Technical Standard
公称压力: 1.6 MPa	Nominal Pressure: 1.6 Mpa
工作介质: 水、非腐蚀性液体	Working Medium: Water, Non-causticity liquid
工作温度: $-10^{\circ}\text{C} \leq t \leq 120^{\circ}\text{C}$	Working Temperature: $-10^{\circ}\text{C} \leq t \leq 120^{\circ}\text{C}$
圆柱管螺纹符合ISO228标准	Parallel Pipe Thread to ISO228

备注: 接头材质可选择PPR、PB、PERT

DN	Size	A	B	C	D	E
15	1/2	84.5	14	41.4	48	19.1
20	3/4	91	19	44.6	48	24

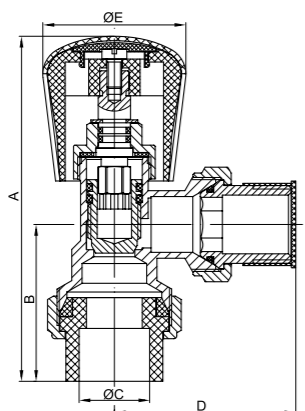


365 黄铜PPR自动温控阀
Brass PPR Automatic-controlled Radiator (J61W-16T)

技术规范	Technical Standard
公称压力: 1.6 MPa	Nominal Pressure: 1.6 Mpa
工作介质: 水、饱和蒸汽 ($\leq 0.6\text{Mpa}$)	Working Medium: Water, Saturated steam ($\leq 0.6\text{Mpa}$)
工作温度: $0^{\circ}\text{C} \leq t \leq 120^{\circ}\text{C}$	Working Temperature: $0^{\circ}\text{C} \leq t \leq 120^{\circ}\text{C}$
温控范围: $6^{\circ}\text{C} - 28^{\circ}\text{C}$	Temperature Range: $6^{\circ}\text{C} - 28^{\circ}\text{C}$
圆柱管螺纹符合ISO228标准	Parallel Pipe Thread to ISO228

备注: 接头材质可选择PPR、PB、PERT

DN	Size	A	B	C	D	G
15	1/2	103	12	122	19.2	1/2
20	3/4	113	13	122	24.1	3/4



340 黄铜温控PPR手动调节阀
Brass Hand Temperature-controlled Valve With PPR (J64W-16T)

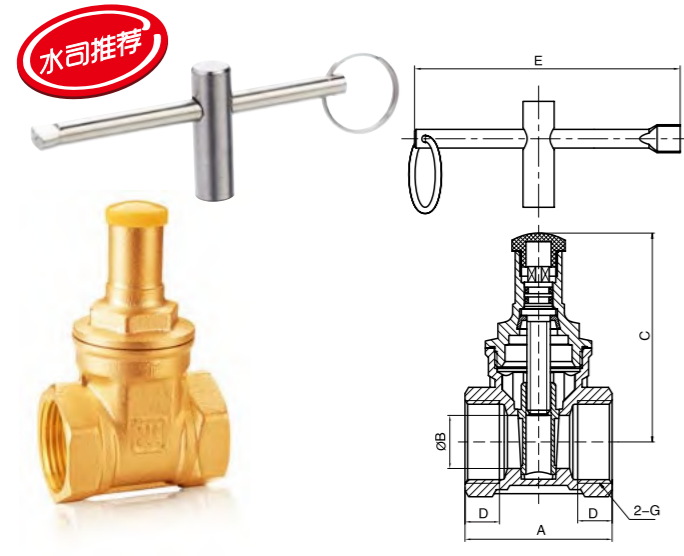
技术规范	Technical Standard
公称压力: 1.6 MPa	Nominal Pressure: 1.6 Mpa
工作介质: 水、饱和蒸汽 ($\leq 0.6\text{Mpa}$)	Working Medium: Water, Saturated steam ($\leq 0.6\text{Mpa}$)
工作温度: $-10^{\circ}\text{C} \leq t \leq 120^{\circ}\text{C}$	Working Temperature: $-10^{\circ}\text{C} \leq t \leq 120^{\circ}\text{C}$
圆柱管螺纹符合ISO228标准	Parallel Pipe Thread to ISO228

备注: 接头材质可选择PPR、PB、PERT

DN	A	B	C	D	E
15	109	45.5	19.2	59.5	41
20	121.5	53.5	24	62.5	48

锁式阀门系列 LOCKABLE VALVES SERIES



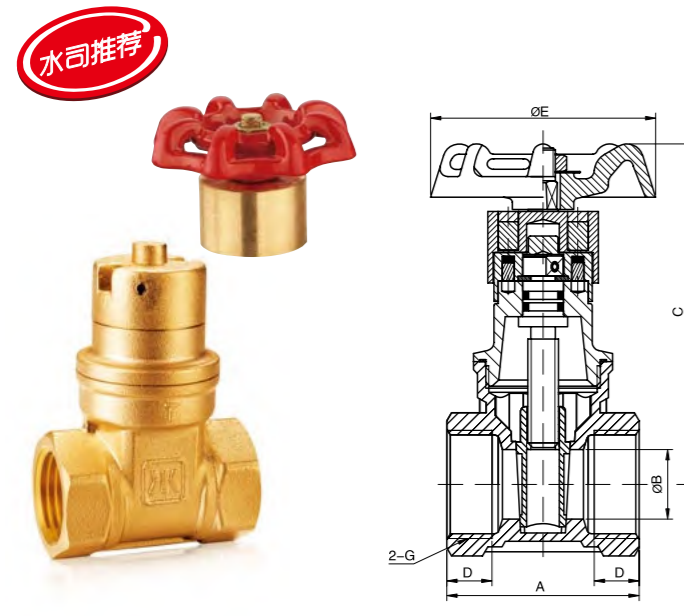


9118 黄铜锁式闸阀
Brass Lockable Gate Valve (Z15W-16T)

技术规范
公称压力: 1.6 MPa
工作介质: 水、非腐蚀性液体
工作温度: $-10^{\circ}\text{C} \leq t \leq 110^{\circ}\text{C}$
圆柱管螺纹符合ISO228标准

Technical Standard
Nominal Pressure: 1.6 Mpa
Working Medium: Water, Non-causticity liquid
Working Temperature: $-10^{\circ}\text{C} \leq t \leq 110^{\circ}\text{C}$
Parallel Pipe Thread to ISO228

DN	A	B	C	D	E	G
15	43.5	13	62.3	10.5	75	1/2
20	47	17	66.8	11	75	3/4
25	52	21	75	13	75	1
32	57	27	87	13.5	75	1 1/4
40	60	34	98	14	120	1 1/2
50	67	45	115.6	15	120	2



9119 黄铜磁性锁式闸阀
Brass Magnetic Lockable Gate Valve (Z15W-16T)

技术规范
公称压力: 1.6 MPa
工作介质: 水、非腐蚀性液体、饱和蒸汽($\leq 0.6\text{MPa}$)
工作温度: $-10^{\circ}\text{C} \leq t \leq 110^{\circ}\text{C}$
圆柱管螺纹符合ISO228标准

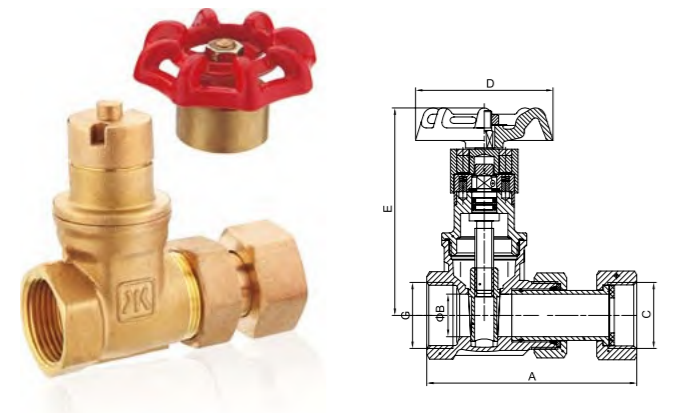
Technical Standard
Nominal Pressure: 1.6 Mpa
Working Medium: Water, Non-causticity liquid, Saturated steam($\leq 0.6\text{MPa}$)
Working Temperature: $-10^{\circ}\text{C} \leq t \leq 110^{\circ}\text{C}$
Parallel Pipe Thread to ISO228

手轮

DN	A	B	C	D	E	G
15	43.5	13	75.5	10.5	54	1/2
20	47	17	83.2	11	54	3/4
25	52	21	90.2	13	54	1

长手柄锁

DN	A	B	C	D	G
32	57	27	77.5	13.5	1 1/4
40	60	34	90.3	14	1 1/2
50	67	45	108.8	15	2

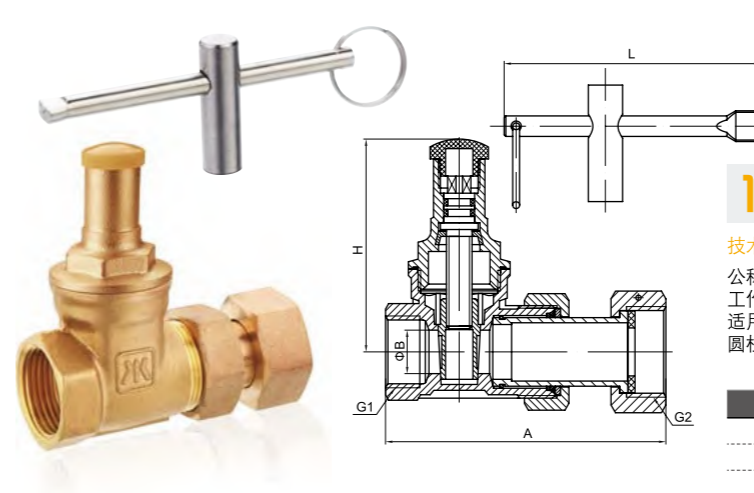


114 黄铜表前磁性闸阀
Brass Magnetic Gate Valve Before Water Meter (Z15W-16T)

技术规范
公称压力: 1.6MPa
工作介质: 水、非腐蚀性液体
适用温度: $t \leq 150^{\circ}\text{C}$
圆柱管螺纹符合ISO228-1: 2000标准

Technical Standard
Nominal Pressure: 1.6MPa
Working Medium: Water, Non-causticity liquid
Working Temperature: $t \leq 150^{\circ}\text{C}$
Parallel Pipe Thread to ISO228-1:2000

DN	A	B	C	D	E	G
15X20	96.5-108.5	13	G3/4	54	75.5	G1/2
20X20	84-96	17.5	G3/4	54	83	G3/4
20X25	84.5-96.5	17.5	G1	54	83	G3/4
25X25	102-115.5	21	G1	54	90	G1

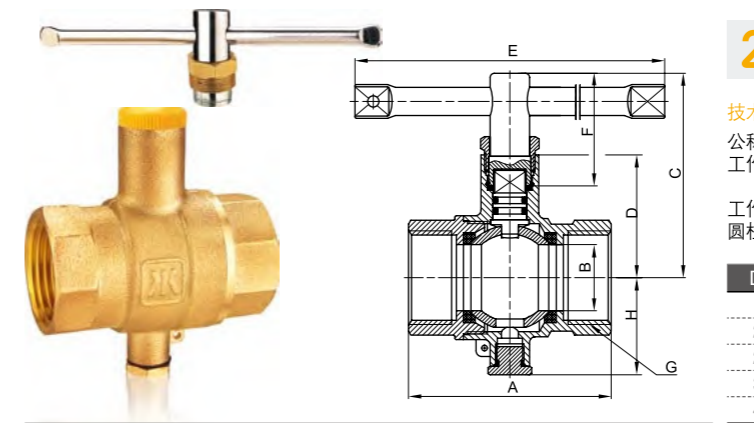


189 黄铜锁式伸缩闸阀
Brass Lockable Gate Valve With Expansion Joint (Z15W-16T)

技术规范
公称压力: 1.6MPa
工作介质: 水、非腐蚀性液体
适用温度: $-10^{\circ}\text{C} \leq t \leq 100^{\circ}\text{C}$
圆柱管螺纹符合ISO228-1

Technical Standard
Nominal Pressure: 1.6MPa
Working Medium: Water, Non-causticity liquid
Working Temperature: $-10^{\circ}\text{C} \leq t \leq 100^{\circ}\text{C}$
Parallel Pipe Thread to ISO228-1

DN	L	A	B	G1	G2	H
15x20	75	82-94	12.7	G1/2	G3/4	62
20x20	75	84-96	17.5	G3/4	G3/4	67
20x25	75	84.5-96.5	17.5	G3/4	G1	67

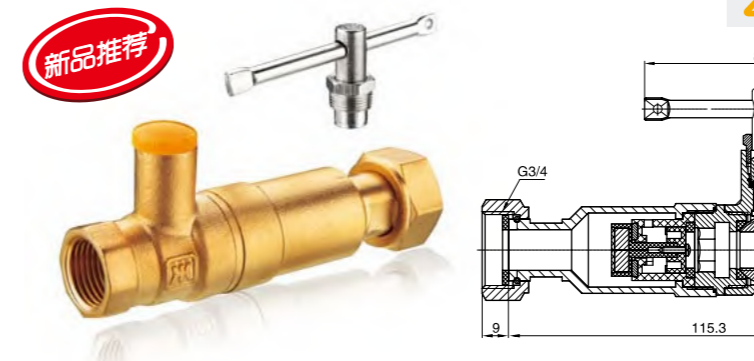


259 黄铜锁式球阀
Brass Ball Valve With Lock (Q11F-16T)

技术规范
公称压力: 1.6 MPa
工作介质: 水、非腐蚀性液体、饱和蒸汽($\leq 0.6\text{MPa}$)
工作温度: $-10^{\circ}\text{C} \leq t \leq 100^{\circ}\text{C}$
圆柱管螺纹符合ISO228标准

Technical Standard
Nominal Pressure: 1.6 Mpa
Working Medium: Water, Non-causticity liquid, Saturated steam($\leq 0.6\text{MPa}$)
Working Temperature: $-10^{\circ}\text{C} \leq t \leq 100^{\circ}\text{C}$
Parallel Pipe Thread to ISO228

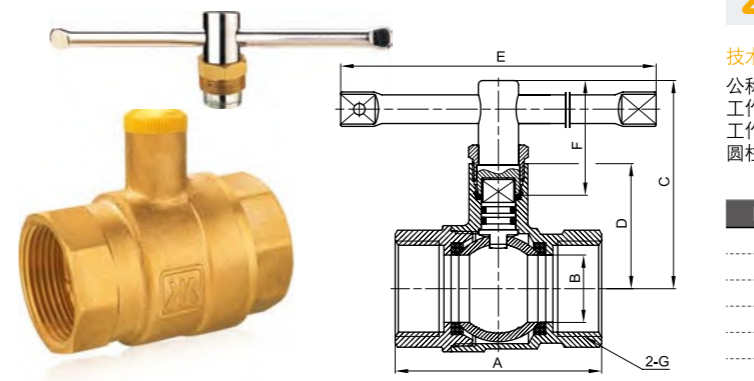
DN	A	B	C	D	E	F	G	H
15	53	12.5	55.5	34.3	84	32	1/2	34.5
20	57.5	15	57.5	36.3	84	32	3/4	33.5
25	72	23.5	72.6	43.6	160	40	1	34.5
32	80	30	77.8	48.8	160	40	1 1/4	39.5
40	90.6	37	89.3	56	160	45	1 1/2	45



278 黄铜表前锁式止回球阀
Brass Lockable Check Valve Before Water Meter (Q11F-16T)

技术规范
公称压力: 1.6 MPa
工作介质: 水
工作温度: $t \leq 80^{\circ}\text{C}$
圆柱管螺纹符合ISO228标准

Technical Standard
Nominal Pressure: 1.6 Mpa
Working Medium: Water
Working Temperature: $t \leq 80^{\circ}\text{C}$
Parallel Pipe Thread to ISO228

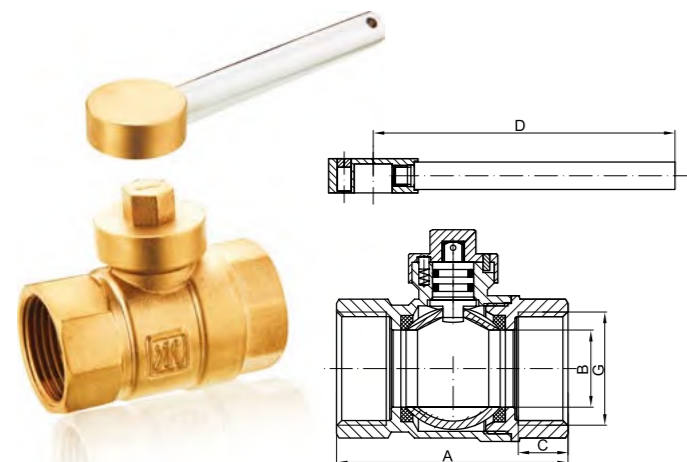


279 黄铜锁式球阀
Brass Ball Valve With Lock (Q11F-16T)

技术规范
公称压力: 1.6 MPa
工作介质: 水、非腐蚀性液体
工作温度: $-10^{\circ}\text{C} \leq t \leq 100^{\circ}\text{C}$
圆柱管螺纹符合ISO228标准

Technical Standard
Nominal Pressure: 1.6 Mpa
Working Medium: Water, Non-causticity liquid
Working Temperature: $-10^{\circ}\text{C} \leq t \leq 100^{\circ}\text{C}$
Parallel Pipe Thread to ISO228

DN	A	B	C	D	E	F	G
15	53	12.5	55.5	34.3	84	32	1/2
20	57.5	15	57.5	36.3	84	32	3/4
25	72	23.5	72.6	43.6	160	40	1
32	80	30	77.8	48.8	160	40	1 1/4
40	90.6	37	89.3	56	160	45	1 1/2
50	106	46.5	96.5	63.3	160	45	2

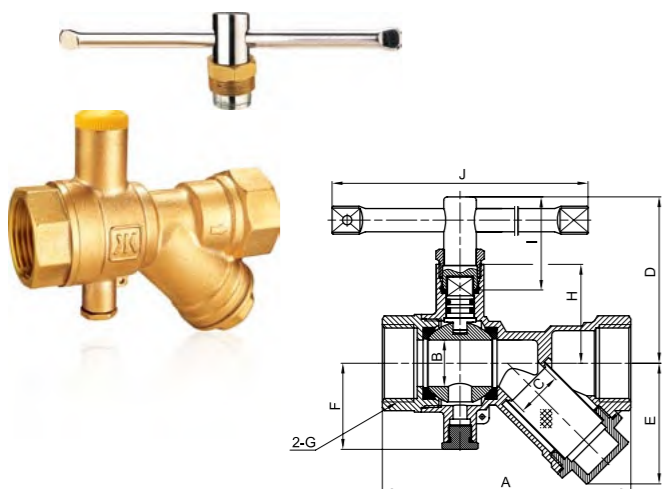


296 黄铜磁性球阀
Brass Magnetic Ball Valve (Q11F-16T)

技术规范 公称压力: 1.6 MPa
工作介质: 水
工作温度: $-10^{\circ}\text{C} \leq t \leq 100^{\circ}\text{C}$
圆柱管螺纹符合ISO228-1: 2000标准

Technical Standard Nominal Pressure: 1.6 Mpa
Working Medium: Water
Working Temperature: $-10^{\circ}\text{C} \leq t \leq 100^{\circ}\text{C}$
Parallel Pipe Thread to ISO228-1:2000

DN	A	B	C	D	G
15	52.5	14	12	88	1/2
20	56.5	18	12	88	3/4
25	67.5	22.5	14.5	88	1
32	79	28	15.5	90.5	1 1/4



801 三合一球阀
Brass Ball Valve (Q11F-16T)

技术规范 公称压力: 1.6 MPa
工作介质: 水、非腐蚀性液体、饱和蒸汽($\leq 0.6\text{MPa}$)
工作温度: $-10^{\circ}\text{C} \leq t \leq 110^{\circ}\text{C}$
圆柱管螺纹符合ISO228标准

Technical Standard Nominal Pressure: 1.6 Mpa
Working Medium: Water, Non-causticity liquid, Saturated steam($\leq 0.6\text{MPa}$)
Working Temperature: $-10^{\circ}\text{C} \leq t \leq 110^{\circ}\text{C}$
Parallel Pipe Thread to ISO228

DN	A	B	C	D	E	F	G	H	I	J	过滤网目数
20	89.6	15	14.5	57.5	41.8	33.5	3/4	36.3	32	84	24X24
25	106.8	20	19.5	71.5	51.8	37	1	42.5	40	160	24X24
32	128.5	30	25	77.8	63.8	39.5	1 1/4	48.8	40	160	12X9

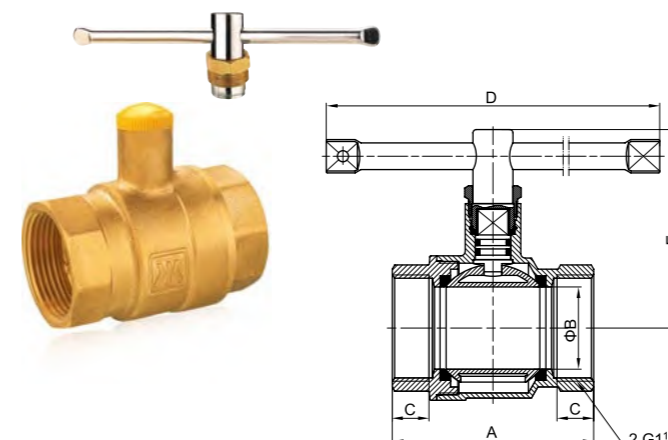
9277A 黄铜磁控防盗球阀
Brass Magnetic Anti-Theft Ball Valve (RQL-PN16)

- 产品特点:**
1. 主要零件采用优质铜材 (HPb59-1) 和热锻工艺制作而成, 使产品具有良好的机械物理性能。
 2. 采用优质氟塑料 (PTFE) 作为密封材料, 保证产品无泄漏, 并有较高的使用寿命。
 3. 当处于管理模式状态下, 用户无法开关燃气阀, 只有燃气公司通过专用钥匙才能开关燃气阀, 真正实现有效管控。

技术规范 公称压力: 1.6 MPa
工作介质: 天然气、人工煤气、液化石油气
工作温度: $-20^{\circ}\text{C} \leq t \leq 80^{\circ}\text{C}$
圆柱管螺纹符合ISO228标准

Technical Standard Nominal Pressure: 1.6 Mpa
Working Medium: Natural gas, Artificial gas, Liquefied petroleum gas
Working Temperature: $-20^{\circ}\text{C} \leq t \leq 80^{\circ}\text{C}$
Parallel Pipe Thread to ISO228

DN	A	B	C	D	E	F
15	57	14	G1/2	41	50	54
20	67	19	G3/4	44	50	54
25	78.6	24	G1	50	50	54

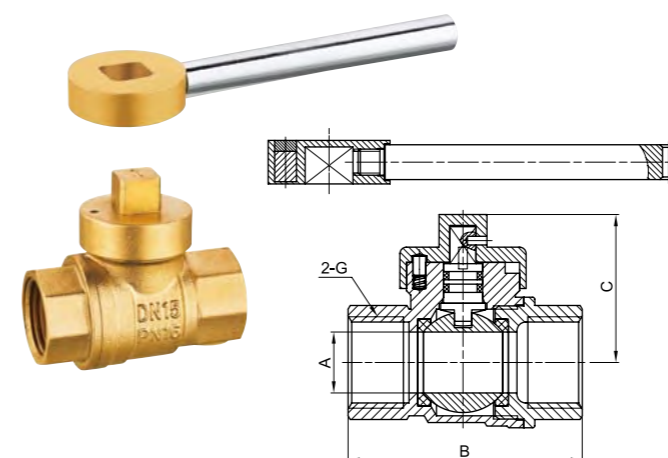


280 黄铜燃气锁式球阀
Lockable Brass Gas Ball Valve (Q11F-16T)

技术规范 公称压力: 1.6 MPa
工作介质: 天然气、人工煤气、液化石油气
工作温度: $-20^{\circ}\text{C} \leq t \leq 110^{\circ}\text{C}$
圆柱管螺纹符合ISO228-1: 2000标准

Technical Standard Nominal Pressure: 1.6 Mpa
Working Medium: Natural gas, Artificial gas, Liquefied petroleum gas
Working Temperature: $-20^{\circ}\text{C} \leq t \leq 110^{\circ}\text{C}$
Parallel Pipe Thread to ISO228-1:2000

DN	A	B	C	D	E	G
40	90.6	37	16.5	160	89.3	1 1/2
50	106	46.5	18	160	96.5	2

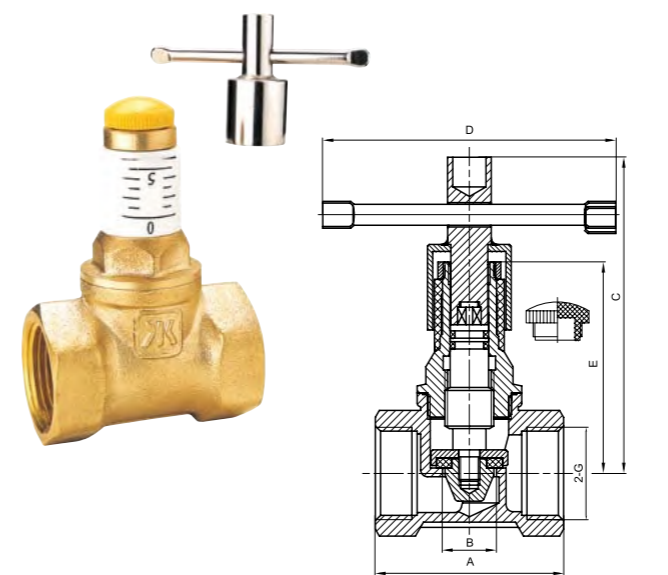


289 黄铜磁性锁式球阀
Brass Magnetic Lockable Ball Valve (Q11F-16T)

技术规范 公称压力: 1.6 MPa
工作介质: 水
工作温度: $-10^{\circ}\text{C} \leq t \leq 100^{\circ}\text{C}$
圆柱管螺纹符合ISO228标准

Technical Standard Nominal Pressure: 1.6 Mpa
Working Medium: Water
Working Temperature: $-10^{\circ}\text{C} \leq t \leq 100^{\circ}\text{C}$
Parallel Pipe Thread to ISO228

DN	SIZE	A	B	C	G
15	1/2	14	53.8	34.5	1/2
20	3/4	19	63	36.2	3/4
25	1	23.5	72	41.9	1



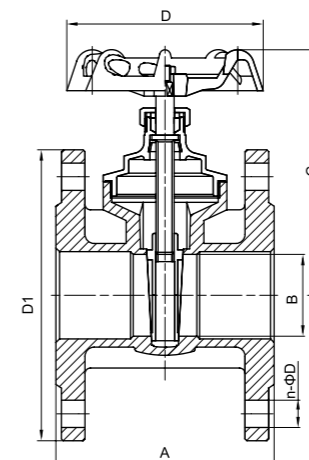
383 黄铜带刻度锁式调节阀
Brass Lockable Adjustable Valve (J11W-16T)

技术规范 公称压力: 1.6 MPa
工作介质: 水、非腐蚀性液体
工作温度: $-10^{\circ}\text{C} \leq t \leq 100^{\circ}\text{C}$
圆柱管螺纹符合ISO228标准

Technical Standard Nominal Pressure: 1.6 Mpa
Working Medium: Water, Non-causticity liquid
Working Temperature: $-10^{\circ}\text{C} \leq t \leq 100^{\circ}\text{C}$
Parallel Pipe Thread to ISO228

DN	SIZE	A	B	C	D	E	G
20	3/4	54	15.5	90.5	84	60.5	3/4
25	1	64	18.5	95.3	84	67.3	1
32	1 1/4	75	24	99.3	84	71.3	1 1/4

法兰系列 FLANGED VALVES SERIES

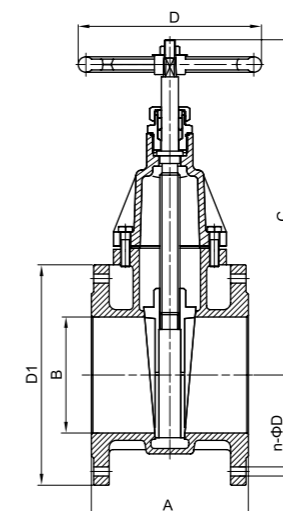


106 黄铜法兰闸阀 Brass Flanged Gate Valve (Z45W-16T)

技术规范
公称压力: 1.6 MPa
工作介质: 水、非腐蚀性液体、饱和蒸汽(≤0.6MPa)
工作温度: -20℃≤t≤150℃

Technical Standard
Nominal Pressure: 1.6 Mpa
Working Medium: Water, Non-causticity liquid, Saturated steam(≤0.6MPa)
Working Temperature: -20℃≤t≤150℃

DN	A	B	C	D	D1	ΦD	n
15	79.5	15	78.5	60	90	14	4
20	88.5	20	88.5	60	100	14	4
25	98.5	25	97.5	60	110	14	4
32	108.5	32	124.3	80	132	18	4
40	118	38	137.5	80	143	18	4
50	116	45	136.5	108	158	18	4
65	137	55.5	166	126	178	18	4
80	157	67.5	196.5	179	193	18	8
100	178	90	239.5	200	213	18	8

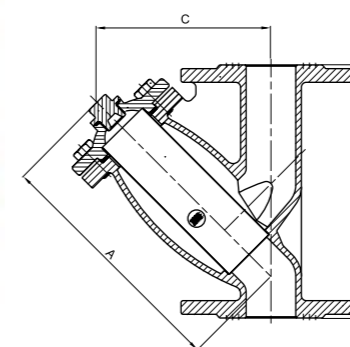


106 黄铜法兰闸阀 Brass Flanged Gate Valve (Z45W-16T)

技术规范
公称压力: 1.6 MPa
工作介质: 水、非腐蚀性液体、饱和蒸汽(≤0.6MPa)
工作温度: -20℃≤t≤150℃

Technical Standard
Nominal Pressure: 1.6 Mpa
Working Medium: Water, Non-causticity liquid, Saturated steam(≤0.6MPa)
Working Temperature: -20℃≤t≤150℃

DN	A	B	C	D	D1	ΦD	n
125	178	125	381.5	237	245	18	8
150	201	150	433.5	237	280	22	8
200	247.5	200	553.5	320	335	22	8

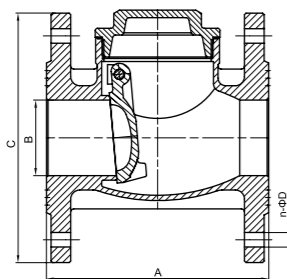


603 黄铜法兰过滤器 Brass Flanged Strainer (WF41B-16T)

技术规范
公称压力: 1.6 MPa
工作介质: 水
工作温度: 0℃≤t≤100℃

Technical Standard
Nominal Pressure: 1.6 Mpa
Working Medium: Water
Working Temperature: 0℃≤t≤100℃

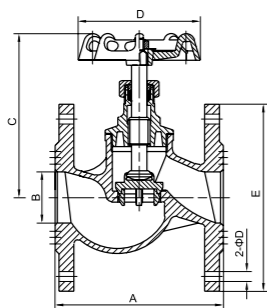
DN	A	B	C	n	ΦD
15	48	118	45	4	14
20	59	128	56	4	14
25	71	141	50	4	14
32	94.5	173	67	4	18
40	195.5	202	138	4	18
50	219	242	154.5	4	18
65	251	277	177.5	4	18
80	284	303	201	8	18
100	322	356	227.4	8	18



409 黄铜法兰止回阀
Brass Flanged Check Valve (H44W-16T)

技术规范 Technical Standard
公称压力: 1.6 MPa Nominal Pressure: 1.6 Mpa
工作介质: 水、非腐蚀性液体、饱和蒸汽(≤0.6Mpa) Working Medium: Water, Non-causticity Liquid Saturated steam(≤0.6Mpa)
工作温度: t≤150°C Working Temperature: t≤150°C

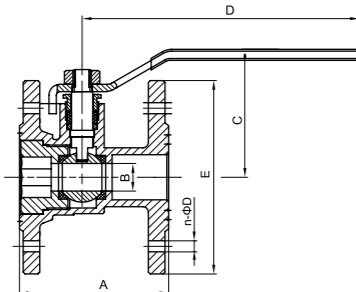
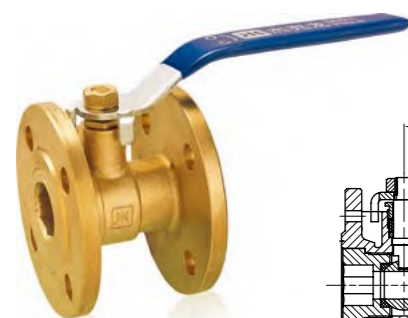
DN	A	B	C	ΦD	n
40	134	40	143	18	4
50	143	50	158	18	4
65	160	65	178	18	4
80	185	80	193	18	8
100	214	100	213	18	8



314 黄铜法兰截止阀
Brass Flanged Stop Valve (J41W-16T)

技术规范 Technical Standard
公称压力: 1.6 MPa Nominal Pressure: 1.6 Mpa
工作介质: 水、非腐蚀性液体、饱和蒸汽(≤0.6Mpa) Working Medium: Water, Non-causticity Liquid Saturated steam(≤0.6Mpa)
工作温度: -20°C≤t≤150°C Working Temperature: -20°C≤t≤150°C

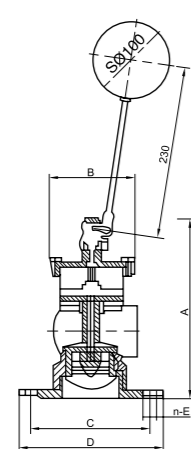
DN	A	B	C	D	E	n	ΦD
15	80	15	79-84	54	90	4	14
20	87	20	87-94	60	100	4	14
25	98	25	94-101	72	110	4	14
32	108	32	114-125.5	80	132	4	18
40	133	41	132-142	100	143	4	18
50	211	50	182	125	158	4	18
65	233	63	194-220	179	177	4	18
80	301	79	290-319	200	193	8	18
100	320	102	338-403	236	213	8	18



240 黄铜法兰球阀
Brass Flanged Ball Valve (Q41F-16T)

技术规范 Technical Standard
公称压力: 1.6 MPa Nominal Pressure: 1.6 Mpa
工作介质: 水、非腐蚀性液体、饱和蒸汽(≤0.6Mpa) Working Medium: Water, Non-causticity liquid, Saturated steam(≤0.6Mpa)
工作温度: -20°C≤t≤120°C Working Temperature: -20°C≤t≤120°C
圆柱管螺纹符合ISO228标准 Parallel Pipe Thread to ISO228

DN	A	B	C	D	E	ΦD	n
15	78	12	74	157.5	90	14	4
20	78	15	69	157.5	100	14	4
25	81	20	74	157.5	110	14	4
32	87	25	85.5	167.5	132	18	4
40	102	32	93.7	185.9	143	18	4
50	101	40	105.3	185.9	158	18	4
65	104	50	125.5	215	178	18	8
80	124	65	134.8	218.9	193	18	8
100	136	80	151.8	219	213	18	8



902 法兰浮球阀
Floating Ball Actuated Flanged Valve (KXF-6T-A)

技术规范 Technical Standard
公称压力: 0.04 MPa≤P≤0.6MPa Nominal Pressure: 0.04 MPa≤P≤0.6MPa
工作介质: 水 Working Medium: Water
工作温度: 0°C≤t≤120°C Working Temperature: 0°C≤t≤120°C
联接方式: 法兰 Connecting From: Flange

DN	Size	A	B	C	D	n	E
40	1 1/2	164	63	110	145	4	18
50	2	178	63	125	160	4	18
65	2 1/2	210	112	145	180	4	18
80	3	236	117	160	195	4	18
100	4	262	130	180	215	8	18
150	6	270	159	240	280	8	23
200	8	330	211	295	335	8	23
250	10	520	350	350	390	12	23
300	12	600	425	400	440	12	23

小五金系列
HARDWARE SERIES





708-L 水嘴
Bibcock



219 黄铜直角球阀(球芯三角阀)
Brass Right Angle Ball Valve (Q24F-16T)



501 黄铜球芯水咀
Brass Ball Core Tap



S710 水嘴
Bibcock



S705 水嘴(洗衣机)
Bibcock for Washing Machine



S708 水嘴
Bibcock



SJ-805 陶瓷三角阀
Ceramic Triangle Valve



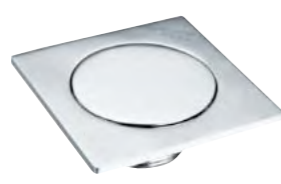
SJ-806 陶瓷三角阀
Ceramic Triangle Valve



407 地漏
Floor Drain



411 地漏
Floor Drain



412 地漏
Floor Drain



翻板下水
Po-plug



不锈钢编织管
Stainless Braided Hose



波纹管
Wave Hose

水表系列 WATER METERS SERIES

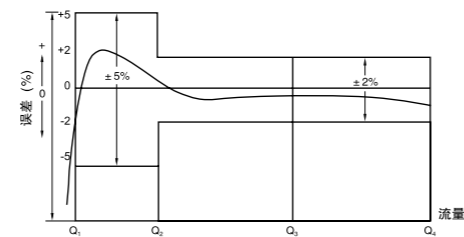




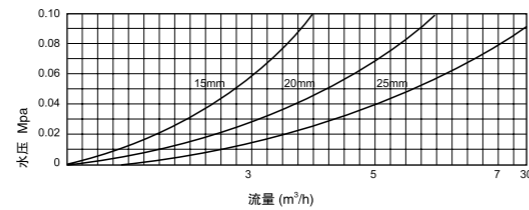
旋翼式立式水表
Rotary vertical water meter
/LXSL-15E~25E

- ◆ 特点 Feature
各种性能和计量精度达到ISO 4064 2级标准;
Various performance and measuring accuracy meet the standard of ISO 4064 2;
垂直安装, 具有安装方便, 节省材料, 泥沙不易侵入等优点。
Easy vertical installation, material saving, against sediment invasion.
- ◆ 使用条件 Conditions of usage
水温 $\leq 30^{\circ}\text{C}$, 水压 $\leq 1\text{MPa}$
Water temperature $\leq 30^{\circ}\text{C}$, Water pressure $\leq 1\text{MPa}$
- ◆ 最大允许误差 Maximum permissible tolerance
从最小流量(包括 Q_1)到分界流量(不包括 Q_2)的低区为 $\pm 5\%$
 $\pm 5\%$ From minimum flow (including Q_1) to transitional flow (excluding Q_2)
从分界流量(包括 Q_2)到过载流量(包括 Q_4)的高区为 $\pm 2\%$
 $\pm 2\%$ From transitional flow (including Q_2) to overload flow (including Q_4)

性能误差曲线 Performance tolerance curve



压力损失曲线 Pressure loss curve



主要技术参数 Technical Specifications

公称口径 DN(mm)	最小流量 (L/h)	分界流量 (L/h)	常用流量 (m³/h)	过载流量 (m³/h)	Q_3/Q_1
15	50	80	2.5	3.125	50
	40	64			63
	31	50			80
20	80	128	4	5	50
	63	101			63
	50	80			80
25	126	202	6.3	7.875	50
	100	160			63
	79	126			80

外型尺寸及重量 Dimension & Weight

型号	口径 (mm)	长 L (mm)	宽 B1 (mm)	宽 B2 (mm)	高 H (mm)	连接螺纹 (D)	重量 (kg)
LXSL-15E	15	96	96	142	107	G 3/4B	1.7
LXSL-20E	20	100	96	157	109	G 1B	2.1
LXSL-25E	25	110	103	162	111	G 1 1/4B	3.1



旋翼式干式水表
Rotary dry type water meter
/LXSG-15E~50E

- ◆ 特点 Feature
各种性能和计量精度达到ISO 4064 2级标准;
Various performance and measuring accuracy meet the standard of ISO 4064 2;
多流束、干式、磁性传动;
Multi-jet, Dry-type, Magnetic transmission
计数器采用真空密封, 防冷凝雾化, 可长期保持读数清晰。
The counter adopts vacuum seal & anti-condensate atomization, providing clear reading for long time.
- ◆ 使用条件 Conditions of usage
水温 $\leq 30^{\circ}\text{C}$, 水压 $\leq 1\text{MPa}$
Water temperature $\leq 30^{\circ}\text{C}$, Water pressure $\leq 1\text{MPa}$
- ◆ 最大允许误差 Maximum permissible tolerance
从最小流量(包括 Q_1)到分界流量(不包括 Q_2)的低区为 $\pm 5\%$
 $\pm 5\%$ From minimum flow (including Q_1) to transitional flow (excluding Q_2)
从分界流量(包括 Q_2)到过载流量(包括 Q_4)的高区为 $\pm 2\%$
 $\pm 2\%$ From transitional flow (including Q_2) to overload flow (including Q_4)

主要技术参数 Technical Specifications

公称口径 DN(mm)	最小流量 (L/h)	分界流量 (L/h)	常用流量 (m³/h)	过载流量 (m³/h)	Q_3/Q_1	Q_4/Q_3	Q_2/Q_1
15	50	80	2.5	3.125	50	1.25	1.6
	40	64			63		
	31	50			80		
20	80	128	4	5	50		
	63	101			63		
	50	80			80		
25	126	202	6.3	7.875	50		
	100	160			63		
	79	126			80		
32	200	320	10	12.5	50		
	159	254			63		
	125	200			80		
40	320	512	16	20	50		
	254	406			63		
	200	320			80		
50	500	800	25	31.25	50		
	397	635			63		
	313	501			80		

外型尺寸及重量 Dimension & Weight

型号	口径 (mm)	长 L (mm)	宽 B (mm)	高 H (mm)	连接螺纹 (D)	重量 (kg)
LXSG-15E	15	165	99	104	G 3/4B	1.5
LXSG-20E	20	195	99	106	G 1B	1.7
LXSG-25E	25	225	104	120	G 1 1/4B	2.4
LXSG-32E	32	230	104	120	G 1 1/2B	2.8
LXSG-40E	40	245	125	155	G 2B	5.1
LXSG-50E	50	280	158	175	法兰连接按GB42164-84 Connecting flange conform to GB42164-84	14



旋翼式湿式冷水表/LXS-15E~50E
Rotary wet-type cold water meter

- ◆ 特点 Feature
具有计量精度高、始动流量小, 能保持计数机构的满灌(充满水), 防污性好、抄读方便、外形美观、安全卫生、寿命长等特点。
High measurement accuracy, small starting flow, keep the counting facility filled with water, anti-fouling, easy reading, nice appearance, safety and health, reliable quality.
- ◆ 使用温度 常温: $0 \sim 30^{\circ}\text{C}$
Temperature of usage: Normal temperature $0 \sim 30^{\circ}\text{C}$
- ◆ 公称压力 $\leq 1.0\text{MPa}$ Nominal pressure $\leq 1.0\text{MPa}$
- ◆ 压力损失 $\leq 0.063\text{MPa}$ Pressure loss $\leq 0.063\text{MPa}$
- ◆ 示值误差限 Indication tolerance
在水温 0.1°C 至 30°C 范围内, 水表的允许误差在高区($Q_2 \leq Q \leq Q_4$)为 $\pm 2\%$, 低区($Q_1 \leq Q < Q_2$)为 $\pm 5\%$ 。
Range from 0.1°C to 30°C , the maximum permissible tolerance is $\pm 2\%$ in high limits ($Q_2 \leq Q \leq Q_4$), and $\pm 5\%$ in low limits ($Q_1 \leq Q < Q_2$).

主要技术参数 Technical Specifications

公称口径 DN(mm)	最小流量 (L/h)	分界流量 (L/h)	常用流量 (m³/h)	过载流量 (m³/h)	Q_3/Q_1	Q_4/Q_3	Q_2/Q_1
15	50	80	2.5	3.125	50	1.25	1.6
	40	64			63		
	31	50			80		
20	80	128	4	5	50		
	63	101			63		
	50	80			80		
25	126	202	6.3	7.875	50		
	100	160			63		
	79	126			80		
32	200	320	10	12.5	50		
	159	254			63		
	125	200			80		
40	320	512	16	20	50		
	254	406			63		
	200	320			80		
50	500	800	25	31.25	50		
	397	635			63		
	313	501			80		

(旋翼式湿式冷水表)外型尺寸及重量 (Rotary wet-type cold water meter) Dimension & Weight

型号	口径 (mm)	长 L (mm)	宽 B (mm)	高 H (mm)	连接螺纹 (D)	重量 (kg)
LXS-15E	15	165	99	104	G 3/4B	1.5
LXS-20E	20	195	99	106	G 1B	1.7
LXS-25E	25	225	104	120	G 1 1/4B	2.4
LXS-32E	32	230	104	120	G 1 1/2B	2.8
LXS-40E	40	245	125	155	G 2B	5.1
LXS-50E	50	280	158	175	法兰连接按GB42164-84	14

(旋翼式热水表)外型尺寸及重量 (Rotary hot water meter) Dimension & Weight

型号	口径 (mm)	长 L (mm)	宽 B (mm)	高 H (mm)	连接螺纹 (D)	重量 (kg)
LXSR-15E	15	165	99	104	G 3/4B	1.5
LXSR-20E	20	195	99	106	G 1B	1.7
LXSR-25E	25	225	104	120	G 1 1/4B	2.4
LXSR-32E	32	230	104	120	G 1 1/2B	2.8
LXSR-40E	40	245	125	155	G 2B	5.1



旋翼式热水表/LXSR-15E~40E
Rotary hot water meter

- ◆ 特点 Feature
各种性能和计量精度达到ISO 4064 2级标准;
Various performance and measurement accuracy meet the standard of ISO 4064 B.
- ◆ 用途 Application
用于计量流经管道的热水体积的总量。
For counting the total volume of hot water flowing through the pipelines.
- ◆ 使用温度 $\leq 90^{\circ}\text{C}$ Temperature of usage $\leq 90^{\circ}\text{C}$
- ◆ 公称压力 $\leq 1.0\text{MPa}$ Nominal pressure $\leq 1.0\text{MPa}$
- ◆ 压力损失 $\leq 0.1\text{MPa}$ Pressure loss $\leq 0.1\text{MPa}$
- ◆ 示值误差限 Indication tolerance
水温超过 30°C 时, 水表在高区的最大允许误差($Q_1 \leq Q \leq Q_3$)为 $\pm 3\%$, 低区($Q_{\min} \leq Q < Q_1$)为 $\pm 5\%$ 。
When the water temperature exceeds 30°C , the maximum permissible tolerance is $\pm 3\%$ in high limits ($Q_1 \leq Q \leq Q_3$), and $\pm 5\%$ in low limits ($Q_{\min} \leq Q < Q_1$).

主要技术参数 Technical Specifications

水表 代号	公称口径 DN(mm)	计量等级	标准流量点(m³/h)			
			最小流量 Q_{\min}	分界流量 Q_1	常用流量 Q_2	过载流量 Q_3
N1.5	15	B级	0.03	0.12	1.5	3
N2.5	20	B级	0.05	0.2	2.5	5
N3.5	25	B级	0.07	0.28	3.5	7
N6	32	B级	0.12	0.48	6	12
N10	40	B级	0.2	0.8	10	20



旋翼式液封水表(带止回阀)/LXSY-15E~25E
Rotary hydraulic sealing water meter (with check valve)

◇ 特点 Feature

- 1、本系列分为半液封和全液封两种，其计数机构字轮及表面由特殊液体封装，同时具有湿式水表始动流量小，干式水表可长期保持读书清晰的优点，也不受水质影响，永久保持读书清晰，特别适用于水质较差的管网。
1、This series includes semi-liquid seal and liquid seal. The digital facility and surface sealed by special liquid, enjoying the advantage of small starting flow and clear reading for long term, avoiding affection of water quality, especially for pipe network with poor water quality.
- 2、进水端采用止回阀结构，倒装不能正常用水，能够防止倒流。
2、The water inlet adopts the structure of check valve, prevents backflow.
- 3、该水表灵敏度极高，能起到节水、滴水计量的作用。
3、High sensitivity, save water, meter by drop of water.

- ◇ 使用温度 常温: 0~30℃
Temperature of usage: Normal temperature 0~30℃

- ◇ 公称压力 ≤1.0MPa Nominal pressure ≤1.0 MPa

- ◇ 压力损失 ≤0.063MPa Pressure loss ≤0.063 MPa

- ◇ 示值误差限 Indication tolerance

在水温0.1℃至30℃范围内，水表的允许误差在高区 ($Q_1 \leq Q \leq Q_4$) 为 ±2%，低区 ($Q_1 \leq Q \leq Q_2$) 为 ±5%
Range from 0.1℃ to 30℃, the maximum permissible tolerance is ±2% in high limits ($Q_2 \leq Q \leq Q_4$), and ±5% in low limits ($Q_1 \leq Q \leq Q_2$).

主要技术参数 旋翼式液封水表(带止回阀)

Technical Specifications Rotary hydraulic sealing water meter (with check valve)

公称口径 DN (mm)	最小流量 Q_1 (L/h)	分界流量 Q_2 (L/h)	常用流量 Q_3 (m³/h)	过载流量 Q_4 (m³/h)	标准流量点 (m³/h)		最小读数 (m³)	最大读数 (m³)
					Q_3 / Q_1	Q_4 / Q_1		
15	50	80	2.5	3.125	50	100	0.0001	99999
	31	50			80			
	25	40			100			
20	80	128	4.0	5.0	50	100	0.0001	99999
	50	80			80			
	40	64			100			

(旋翼式液封水表)外型尺寸及重量

(Rotary hydraulic sealing water meter) Dimension & Weight

型号	口径 (mm)	长 L (mm)	宽 B (mm)	高 H (mm)	连接螺纹 (D)	重量 (Kg)
LXSY-15E	15	165	99	109	G 3/4B	1.5
LXSY-20E	20	195	99	111	G 1B	1.7
LXSY-25E	25	225	104	120	G 1 1/4B	2.4

(水平螺翼式湿式冷(热)水表)外型尺寸及重量

Level screw wing- wet cold (hot) water meter Dimension & Weight

型号	口径 (mm)	长 L (mm)	高 H (mm)	连接法兰			重量 (Kg)
				法兰外径 (mm)	螺栓孔中心圆直径 (mm)	连接栓数量 (pcs.)	
LXL-80E	80	223	228	195	160	8XM16	14
LXL-100E	100	250	244	215	180	8XM16	16.5
LXL-150E	150	300	295	280	238	8XM20	28
LXL-200E	200	350	366	340	283	8XM20	42



水平螺翼式湿式冷(热)水表/LXL(R)-80E~200E
Level screw wing- wet cold (hot) water meter

◇ 特点 Feature

- 各项技术指标符合ISO 4064 2级标准(热水表为A级)
计数器为指针加字轮组合 (E型);
有冷、热水表 (R型) 可供客户选择;
结构简单、先进、价格低;
流通能力大、压力损失小
The technical specifications meet the standard of ISO 4064 2 (A level for hot water meter);
The counter is a combination of pointer-plus-word round (E type);
Cold or hot water meter (R type) for your choice;
Simple structure and competitive price.
High flow capacity and low pressure loss.

◇ 使用条件 Conditions of usage

使用温度: 0.1℃ ≤ T ≤ 30℃ (热水表 30℃ ≤ T ≤ 90℃)
Water temperature 0.1℃ ≤ T ≤ 30℃ (Hot water meter 30℃ ≤ T ≤ 90℃)
公称压力: 1.0Mpa
Nominal pressure: 1.0 MPa

◇ 最大允许误差 Maximum permissible tolerance

从最小流量(包括 Q_1 或 Q_{min})到分界流量(不包括 Q_2 或 Q_1)的低区为 ±5%
±5% From minimum flow (including Q_1 / Q_{min}) to transitional flow (excluding Q_2 / Q_1)
从分界流量(包括 Q_2 或 Q_1)到过载流量(包括 Q_4 或 Q_3)的高区为 ±2%
±2% From transitional flow (including Q_2 / Q_1) to overload flow (including Q_4 / Q_3)

主要技术参数 (水平螺翼式湿式热水表)

Technical Specifications Level screw wing- wet hot water meter

公称口径 DN(mm)	计量等级	标准流量点 (m³/h)			
		最小流量 Q_{min}	分界流量 Q_1	常用流量 Q_3	过载流量 Q_4
80	A级	3.2	12	40	80
100	A级	4.8	18	60	120
150	A级	12	45	150	300
200	A级	20	75	250	500

主要技术参数 (水平螺翼式湿式冷水表)

Technical Specifications Level screw wing- wet cold water meter

公称口径 DN(mm)	过载流量	常用流量	分界流量	最小流量	标准流量点 (m³/h)		量比 Q_4 / Q_1
					Q_4 / Q_3	Q_2 / Q_1	
80	78.75	63	10	2.52	12.6	3.15	25
					16	4	
100	125	100	20	5	40	10	20
					50	12.5	
150	312.5	250	64	16	80	20	25
					80	20	

给排水阀门系列

WATER SUPPLY & DRAINAGE VALVES SERIES



闸阀系列
GATE VALVE SERIES



1101
弹性座封闸阀
Resilient-seated Gate Valve (Z45X)



1103
带传动罩弹性座封闸阀
Elastic-Seat Enclosed Gate Valve (Z45X)



1105
明杆弹性座封闸阀
Soft Sealing Gate Valve (Z41X)



1149
磁性锁式弹性座封闸阀
Magnetic Locking Resilient-Seated Gate Valve (Z45X)



1168
丝口弹性座封闸阀
Silk Mouth Resilient-Seated Gate Valve (Z15X)



1119
磁性锁式丝口弹性座封闸阀
Magnetic Locking Silk Mouth Resilient-Seated Gate Valve (Z15X)



1120
铸铁硬密封闸阀
Iron Casting Rigidity Sealing Gate Valve (Z41T)



3101
铸钢硬密封闸阀
Cast Steel Gate Valve (Z41H)

蝶阀系列
BUTTERFLY VALVE SERIES



1501
对夹式中线蝶阀
Wafer Center Line-Type Butterfly Valve (D71X)



1502
对夹式蜗轮中线蝶阀
Wafer Worm Gear Center Line-Type Butterfly Valve (D371X)



1512
法兰式蜗轮中线蝶阀
Stretch Type Turbine Flange Butterfly Valve (D341X)



3504
对夹式蜗轮三偏心蝶阀
Butt-Clamped Worm Wheel-Driven Three-Eccentric Center Butterfly Valve (D373H)

止回阀系列
CHECK VALVE SERIES



1401
消声止回阀
Muffle Check Valve (H41X)



1403
橡胶瓣止回阀
Rubber Flap Check Valve (H44X)



1406
滑动滚式止回阀
Sliding Roller Type Check Valve (HQ41X)



3401
旋启式止回阀
Swing Check Valve (H44H)

水力控制阀系列
HYDRAULIC CONTROL VALVE SERIES



1601
遥控浮球阀
Remote Control Float Ball Valve (J745X-16Q)



1602
减压稳压阀
Pressure Reducing Valve (Y42X-16Q)



1603
缓闭式止回阀
Slow Close Check Valve (HH741X-16Q)



1605
持压/泄压阀
Pressure Relief Valve (A742X-16Q)

过滤器
FILTER



1701
铸铁过滤器
Y Filters (GL41H-16Q)



3606
铸钢过滤器
Cast Steel Strainer (GL41H-16C)



1803
数字锁定平衡阀
Digital Locked Balancing Valve (SP45F-16)



3801
KPF 平衡阀
KPF Balance Valve (KPF-16C)

其它系列
OTHER SERIES



3210
法兰球阀
Flange Type Ball Valve (Q41f)



3301
铸钢截止阀
Cast Steel Stop Valve (J41H-16C)



1801
复合式快速排(进)气阀
Composite Quick Exhaust/Inlet Valve



1805
自力式压差控制阀
Pressure Difference Self-Control Valve (ZYC-16)



1807
防污隔断阀
The Anti Pollution Isolating Valve (HS41X-16Q)



1808
倒流防止器
Side Flow Preventer



1806
橡胶软接头
Flexible rubber joint



3802
波纹补偿器
Corrugated Compensator



3807
限位伸缩接头
Limit Flexible Adapter

青铜阀门系列
BRONZE VALVE SERIES



128

青铜闸阀
Bronze Gate Valve
(Z15W-20T)



288

青铜球阀
Bronze Ball Valve
(Q11F-20T)



388

青铜截止阀
Bronze Stop Valve
(J11W-20T)



608

青铜过滤器
Bronze Strainer
(GL-20T)

黄铜阀门系列
BRASS VALVE SERIES



116

黄铜异径闸阀
Brass Reduced Gate Valve
(Z15W-16T)



125

黄铜锁式闸阀
Brass Lockable Gate Valve
(Z15W-16T)



216

黄铜球阀
Brass Ball Valve (Q11F-20T)



213

黄铜球阀
Brass Ball Valve (Q11F-20T)



260

黄铜测温球阀
Measuring Temperature Brass
Ball Valve (Q11F-16T)



256

黄铜保温球阀
Brass Heat Preserve Valve
(Q11F-16T)



257

小球阀
Brass Mini Ball Valve
(Q31F-16T)



258A

黄铜球阀
Brass Ball Valve
(Q11F-16T)



251

黄铜内外螺纹球阀
Brass Ball Valve MF
(Q11F-16T)

黄铜阀门系列
BRASS VALVE SERIES



202

黄铜外螺纹活接头球阀
Brass Male Union Ball Valve
(Q31F-16T)



274

黄铜双头卡套球阀
Brass Ball Valve With Connectors
(Q19F-16T)



275

黄铜内螺纹单头卡套球阀
Brass Ball Valve With Connector
(Q19F-16T)



282

暖气三通球阀
Brass 3-Way Ball Valve
(For Heated-air Use) (Q35F-16T)



302

黄铜截止阀
Brass Stop Valve (J11F-16T) Gate
Valve (Z15W-16T)



310

黄铜锁式截止阀
Brass Stop Valve With Lock
(J11W-16T)



383

黄铜带刻度锁式调节阀
Brass Lockable Adjustable Valve
(J11W-16T)



705X

黄铜排气阀
Brass Exhausting Valve



127

黄铜带止回双活接头闸阀
Brass Non-return Gate Valve
With Connectors (Z35W-16T)



292

黄铜球阀
Brass Ball Valve
(Q11F-16T)



343

黄铜回水锁断阀
Brass Check Backwater Valve
(J34W-16T)



344

黄铜回水锁断阀
Brass Check Backwater Valve
(J31W-16T)



T118

黄铜铝塑管接头
Brass PPR Pipe Fitting