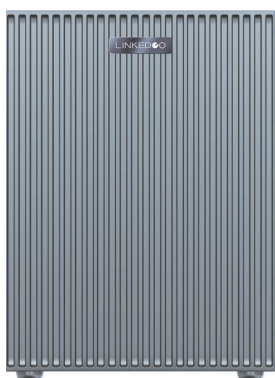
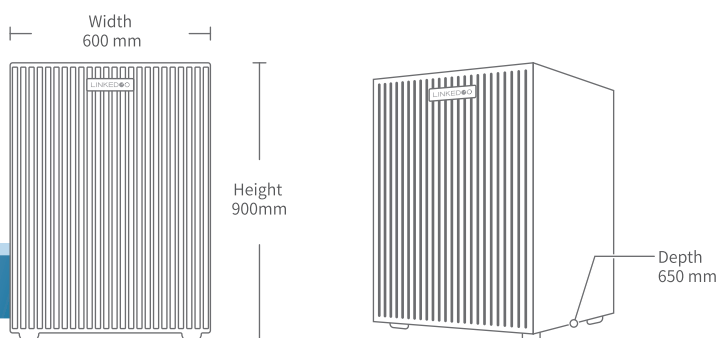


Ground source heat pump



Dimension



Features



- R290 as a refrigerant, GWP 3.
- Full inverter technology.
- High production temperature up to 75°C.
- Integrate brine water pump and circulation pump.
- Integrate Passive cooling.
- Heating and Sanitary hot water.
- Possibility work with PV system.
- Control via internet.
- Support cascade system.

Model

GS100-12 12 kW

GS100-20 20 kW

GS100-30 30 kW

LinkedGo Technology CO., Ltd.

ADDRESS: NO.3 Tianyuan Road, Dagang Town, Nansha, Guangzhou, Guangdong, PR.China.

Web: www.linkedgo-e.com info@linked-go.com

