



Product Description

- Wall-Mounted Pressure Balance Valve
- Pressure balance valve integrates a two-way diverter function.
- Integral check stops.
- Forged brass body for maximum high pressure service without leaks.
- Allows Back-to-Back installations by reversing one cartridge orientation

Specification

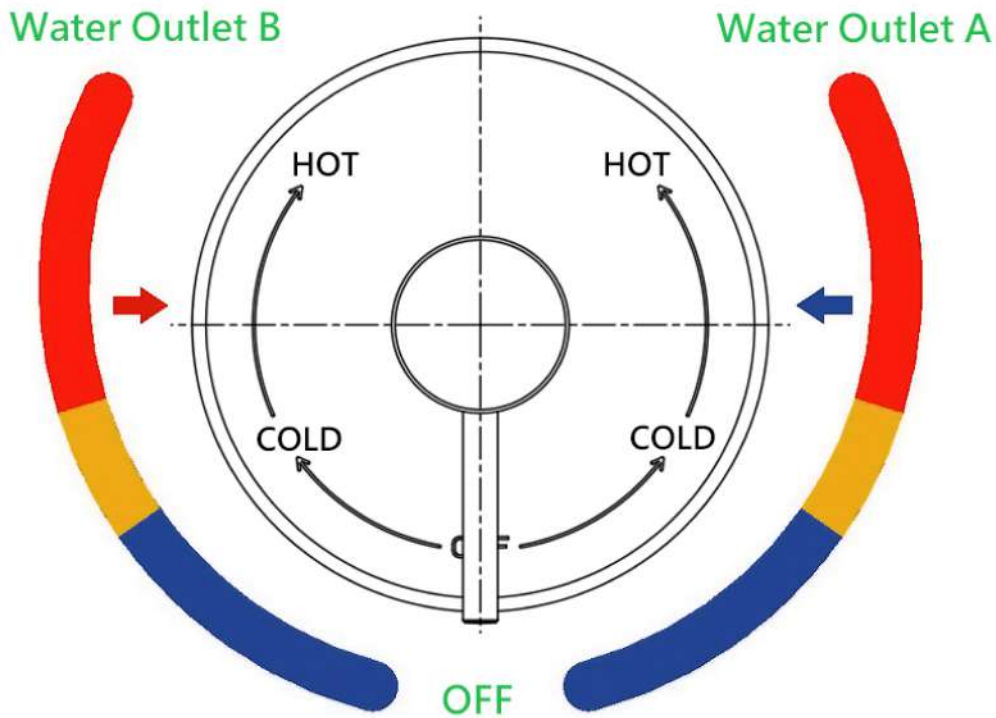
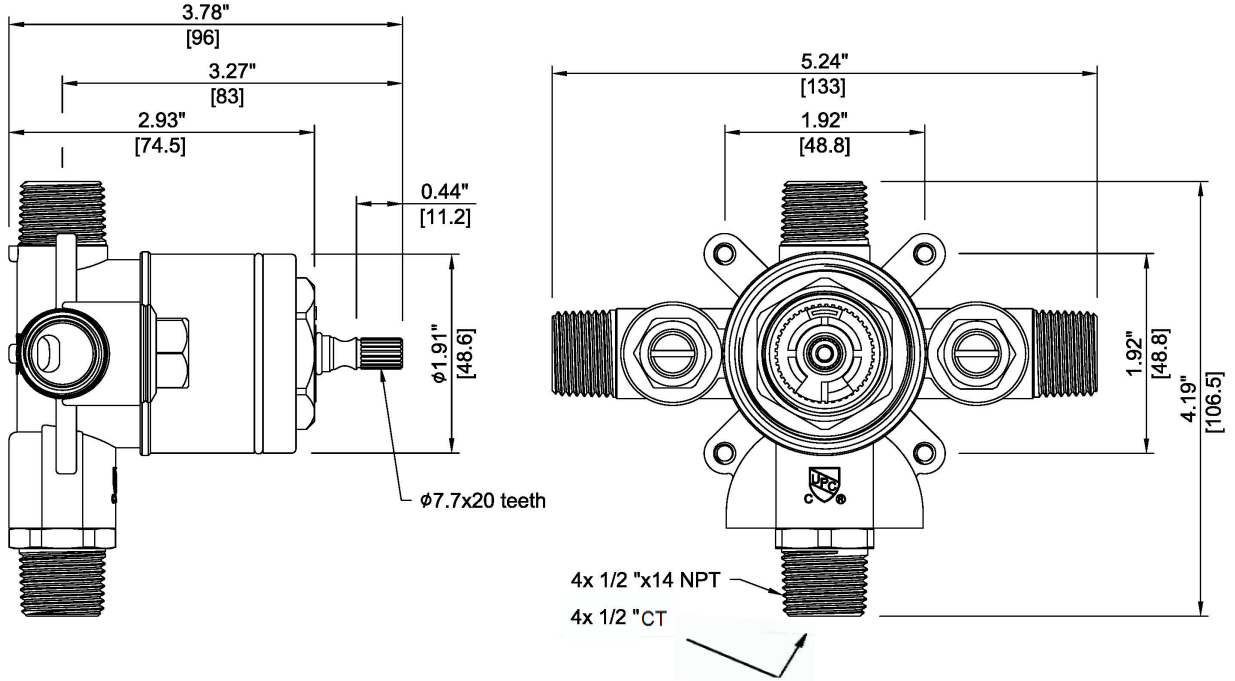
Minimum Operating Pressure :	20psi (1.4kg/cm ²)
Maximum Operating Pressure :	125psi (8.8kg/cm ²)
Maximum Test Pressure :	500psi (35kg/cm ²)
Connections :	1/2"NPT or 1/2" CT
Flow Capacity :	5.9GPM @ 60psi

Applicable Code & Standards



- ASME A112.18.1 / CSA B125.1

Dimensions



PB VALVE PROVIDES DIVERTER FUNCTION BY ROTATING INTO TWO SEPARATE CYCLING QUADRANTS (CLICKS OFF IN THE MIDDLE)