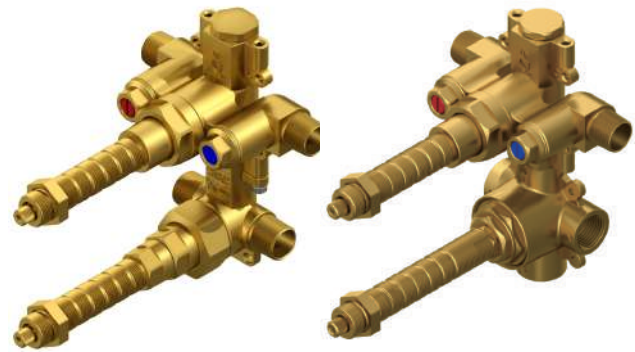


Thermostatic Valve with Two-ways / Three-ways Diverter Valve

Apply VERNET Thermostatic cartridge
 Apply Fluehs Diverter cartridge
 Built-in single check service stop
 High strength forged brass valve body avoid leakage
 Diverter valve set available upon or under the thermostatic valve
 Extension kits for option



TV-4795L-2DL

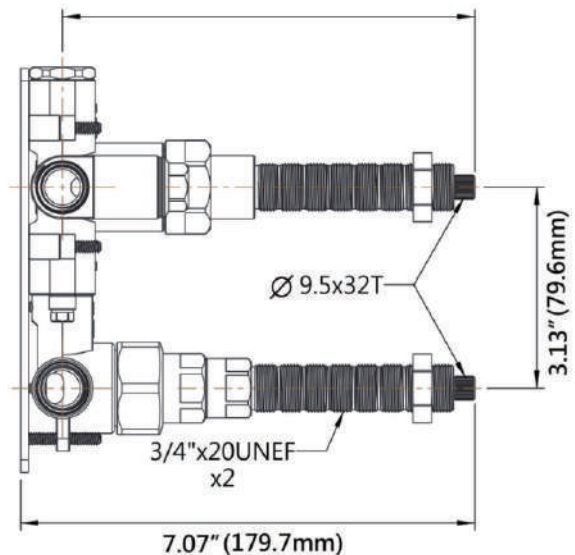
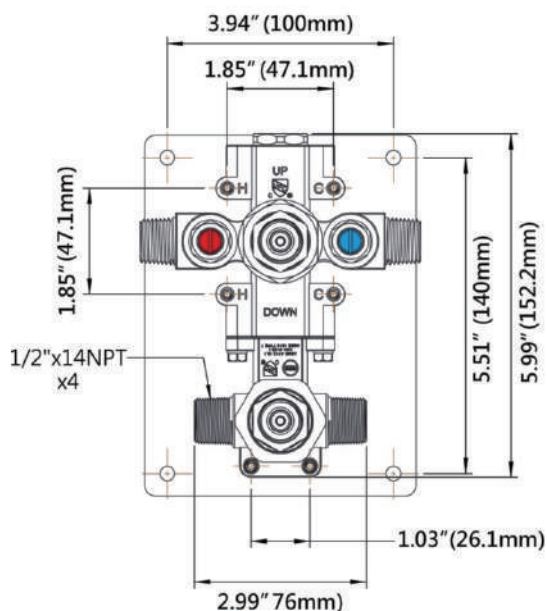
TV-4795L-3DL

Specifications

Temperature Range : 15 ° C-66 ° C (59 ° F~150 ° F)
 Temperature Tolerance : +2 ° C (+3 ° F)
 Minimum Operating Pressure : 10psi (0.5kg/cm²)
 Minimum Operating Pressure(Dynamic) : 125psi (8.8kg/cm²)
 Minimum Operating Pressure(Static) : 250psi (10kg/cm²)
 Pressure Change Range : +20%
 Maximum Inlet Temperature : 85 ° C (185 ° F)
 Factory Setting Temperature : 38 ° C (100 ° F)
 Flow Rate at 45psi (3.1kg/cm²): 4.3GPM (16.4L/min)
 Flow Rate at 60psi (4.1kg/cm²) : 5.1GPM (19.2L/min)

Applicable Code & Standards

ASME A112.18.1 / CSA B125.1



3/4" Thermostatic Mixing Valve

Durable forged brass body
 Apply Vernet thermostatic sensor
 Built-in check-stops on both inlet
 Maximum hot outlet limiter for supply
 Replaceable cartridge for maintenance easily
 Quick-connect module 3/4" diverter for flexible option
Thermostatic cartridge reverse JM-6800R is available for incorrect install valve.



TV-6787

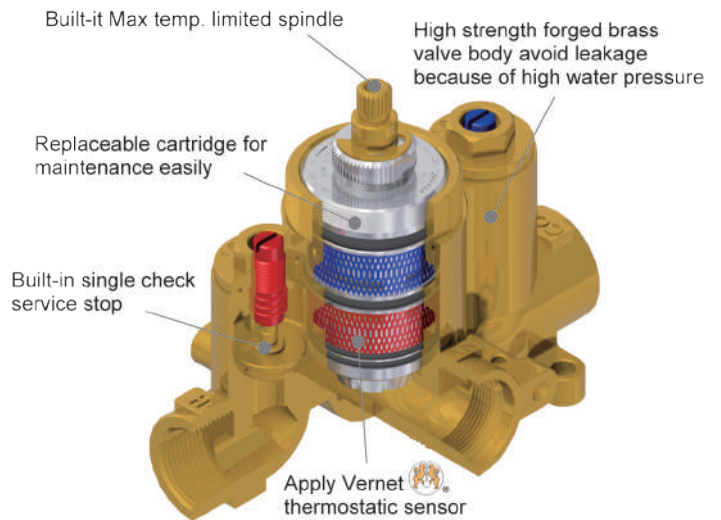
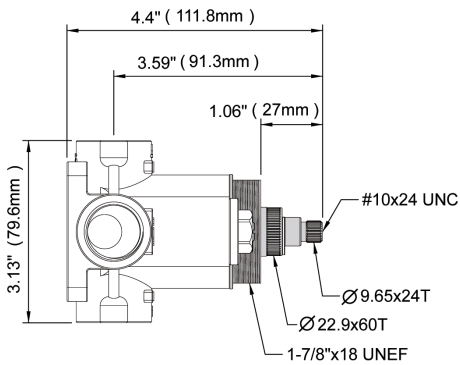
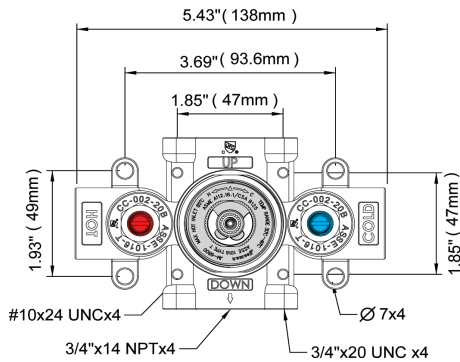
TV-6787L

Specifications

Minimum Operating Pressure : 20psi (1.4kg/cm2)
 Maximum Operating Pressure : 125psi (8.8kg/cm2)
 Max Hot Water Inlet Temperature : 49 ° C (120 ° F)
 Flow Capacity : 16GPM@60psi
 Water Inlet/Outlet : 3/4" x 14 NPT Female Thread
 Center of Outlet / Inlet to Finished Wall : Min. 2-5/32" / Max. 3-1/2"

Applicable Code & Standards

ASME A112.18.1 / CSA B125.1



Pressure Balance Valve

Apply KEROX cartridge
 Built-in single check service stop
 High strength forged brass valve body avoid leakage
 Push type and Pull type available upon request
 Quick-connect module 1/2" diverter for flexible option
 Extension Kits for option
 Available Back-to-Back



VP-4007

VP-4008

Specifications :

Minimum Operating Pressure : 20psi (1.4kg/cm²)
 Maximum Operating Pressure : 125psi (8.8kg/cm²)
 Maximum Test Pressure : 500psi (35kg/cm²)
 Hot and Cold Water Inlet : 1/2"NPT
 Tub Outlets : 1/2"NPT
 Shower Outlets : 1/2"NPT
 Flow Capacity : 5.9GPM @ 60psi

Applicable Code & Standards

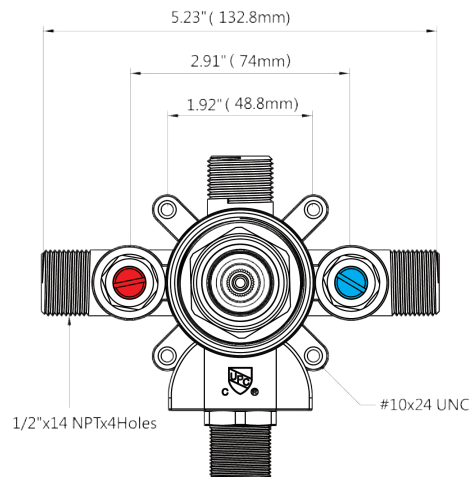
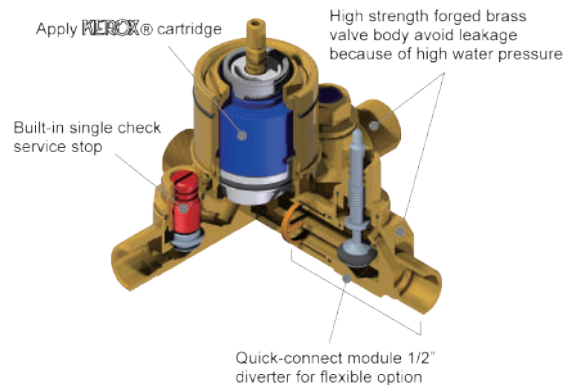
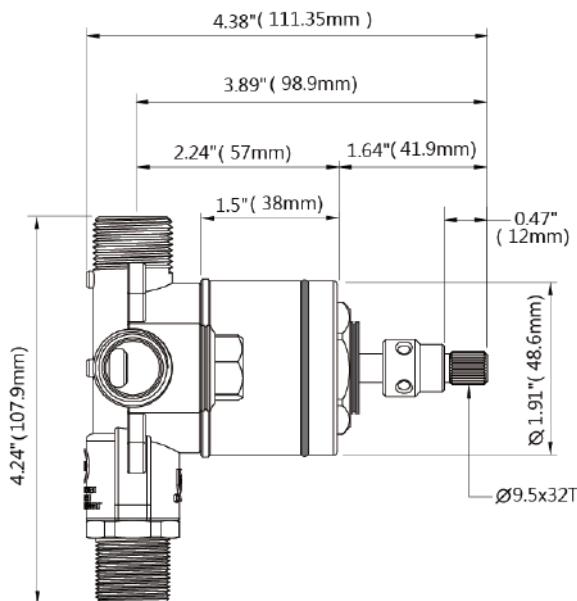
ASME A112.18.1 / CSA B125.1



ADA Compliant

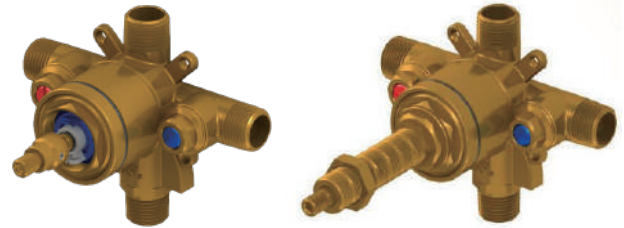
ASSE 1016

ASME A112.18.1 / CSA B125.1



Pressure Balance Valve

Apply Hain-Yo Diverter Pressure Balance cartridge
 Built-in single check service stop
 High strength forged brass valve body avoid leakage
 No separate diverter mechanism needed
 Switch the function with single lever (Rotary Angle 120°+120°)
 Quick-connect module 1/2" diverter for flexible option.
 Available Back-to-Back.



VP-4014

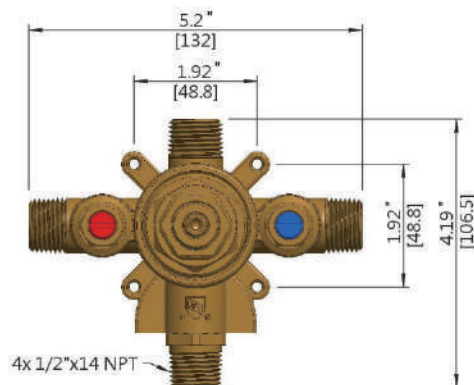
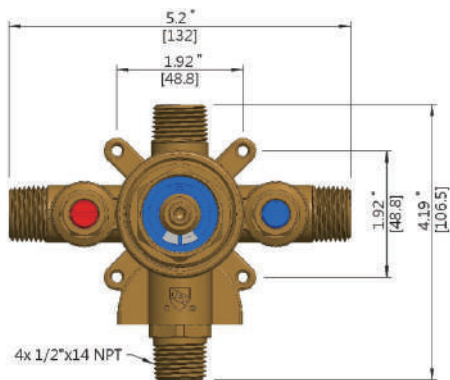
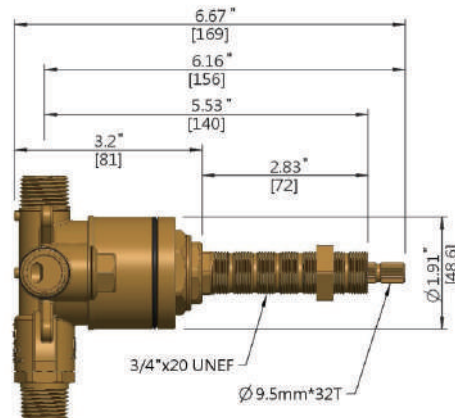
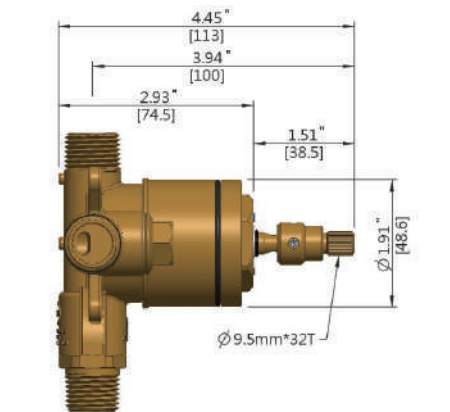
VP-4014L

Specifications :

Minimum Operating Pressure : 20psi (1.4kg/cm²)
 Maximum Operating Pressure : 125psi (8.8kg/cm²)
 Maximum Test Pressure : 500psi (35kg/cm²)
 Water Inlet : 1/2" x 14 NPT Male Thread
 Water Outlets : 1/2" x 14NPT Male Thread
 Flow Capacity : 5.3GPM @ 45psi
 20 L/min @ 3kg/cm²

Applicable Code & Standards

ASME A112.18.1 / CSA B125.1



Pressure Balance Valve

- Apply KEROX Pressure Balance cartridge
- Apply Fluehs Diverter cartridge
- Built-in single check service stop
- High strength forged brass valve body avoid leakage
- Quick-connect module 1/2" diverter for flexible option
- Available Back-to-Back



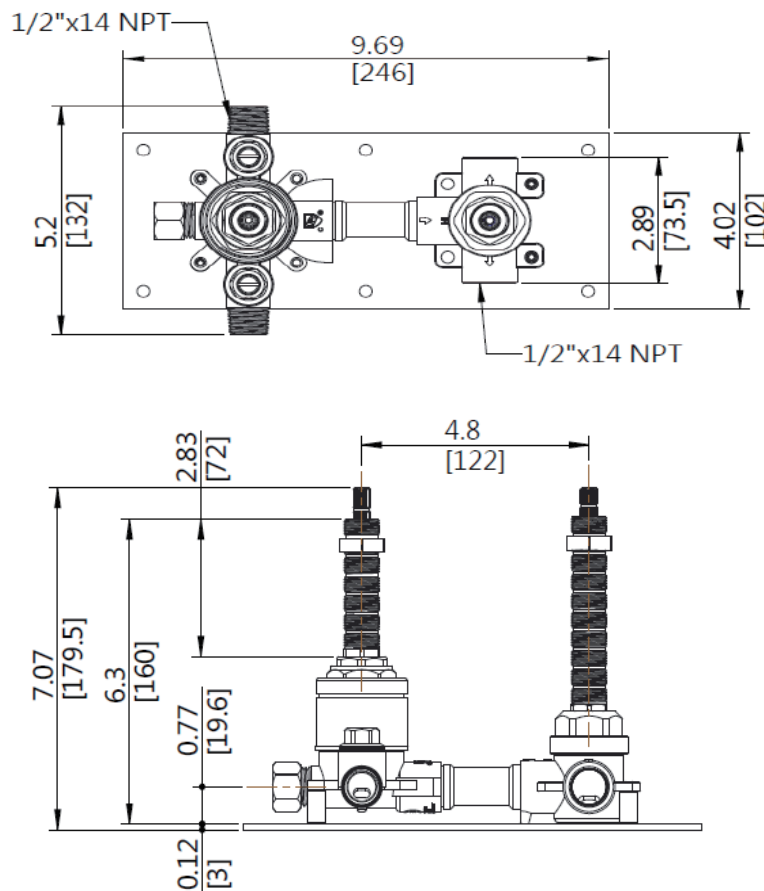
VP-3415FL

VP-3417FL

Specifications :

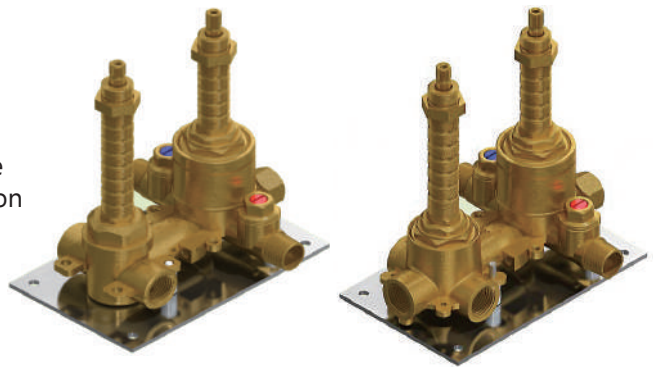
- Minimum Operating Pressure : 20psi (1.4kg/cm²)
- Maximum Operating Pressure : 125psi (8.8kg/cm²)
- Maximum Test Pressure : 500psi (35kg/cm²)
- Water Inlet : 1/2" x 14 NPT Male Thread
- Water Outlets : 1/2" x 14 NPT Female Thread
- Flow Capacity : 5.9GPM @ 60psi
22.4 L/min @ 4.5kg/cm²

Applicable Code & Standards ASME A112.18.1 / CSA B125.1



Pressure Balance Valve

Apply KEROX Pressure Balance cartridge
 Apply Fluehs Diverter cartridge
 Built-in single check service stop
 High strength forged brass valve body avoid leakage
 Quick-connect module 1/2" diverter for flexible option
 Available Back-to-Back



Specifications :

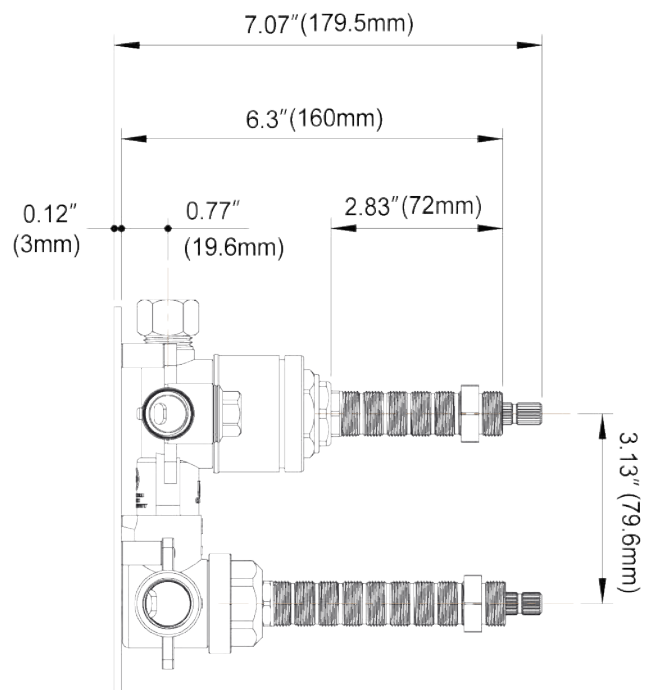
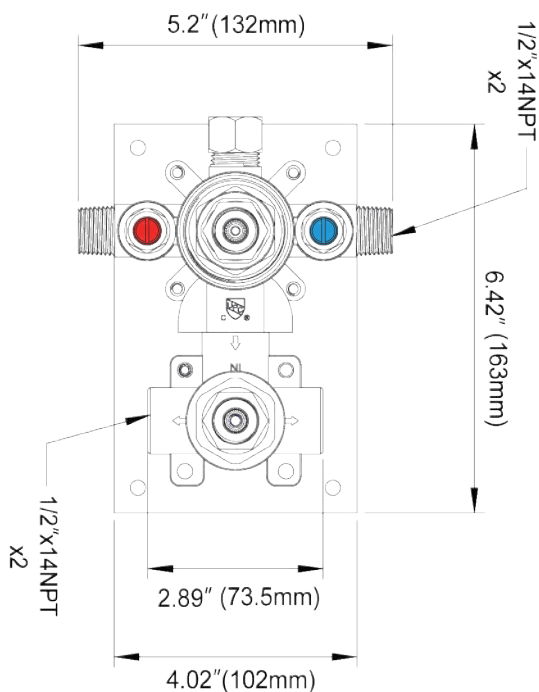
Minimum Operating Pressure : 20psi (1.4kg/cm²)
 Maximum Operating Pressure : 125psi (8.8kg/cm²)
 Maximum Test Pressure : 500psi (35kg/cm²)
 Water Inlet : 1/2" x 14 NPT Male Thread
 Water Outlets : 1/2" x 14 NPT Female Thread
 Flow Capacity : 5.9GPM @ 60psi
 22.4 L/min @ 4.5kg/cm²

VP-3418FL

VP-3419FL

Applicable Code & Standards

ASME A112.18.1 / CSA B125.1



Diverter Valve

Apply Fluehs Diverter cartridge
 High strength forged brass valve body avoid leakage
 180° Rotary angle without close function
 360° Rotary angle with close function

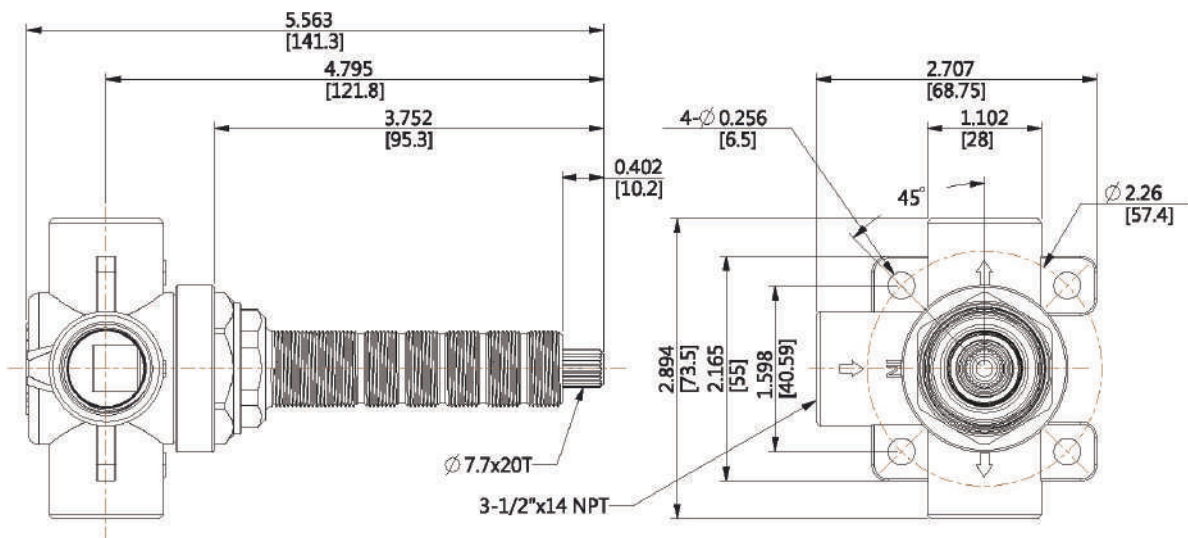
Specifications :

Minimum Operating Pressure : 20psi (1.4kg/cm²)
 Maximum Operating Pressure : 125psi (8.8kg/cm²)
 Maximum Test Pressure : 500psi (35kg/cm²)
 Water Inlet : 1/2" x 14 NPT Female Thread
 Water Outlets : 1/2" x 14 NPT Female Thread
 Flow Capacity : 5.9GPM @ 60psi
 22.4 L/min @ 4.5kg/cm²



VC-2450F

Applicable Code & Standards
 ASME A112.18.1 / CSA B125.1



Diverter Valve

Apply Fluehs Diverter cartridge
 High strength forged brass valve body avoid leakage
 180° Rotary angle without close function
 360° Rotary angle with close function

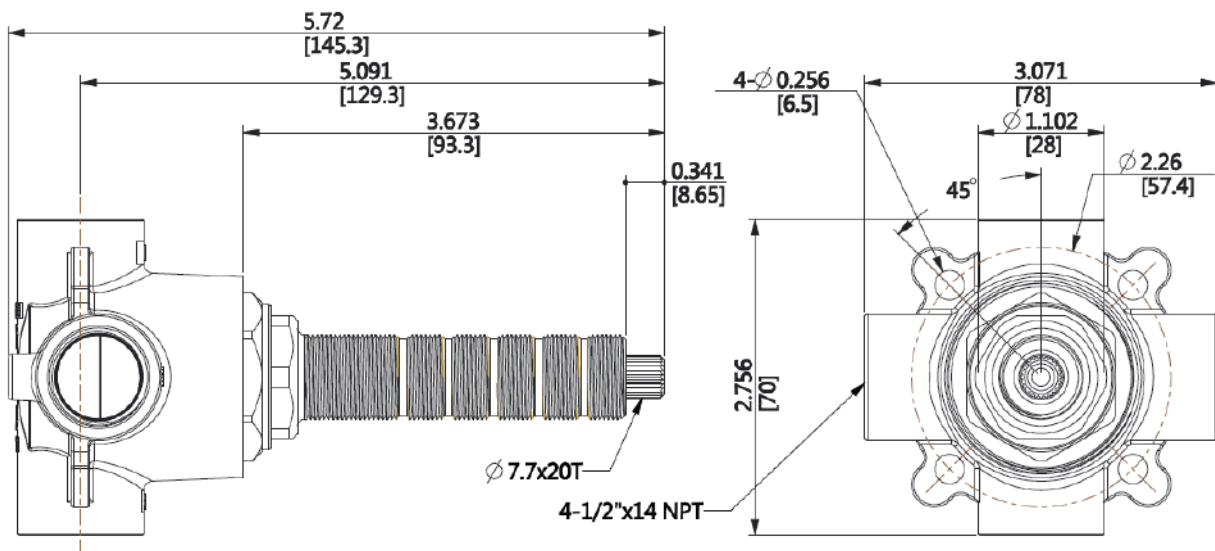
Specifications :

Minimum Operating Pressure : 20psi (1.4kg/cm²)
 Maximum Operating Pressure : 125psi (8.8kg/cm²)
 Maximum Test Pressure : 500psi (35kg/cm²)
 Water Inlet : 1/2" x 14 NPT Female Thread
 Water Outlets : 1/2" x 14 NPT Female Thread
 Flow Capacity : 5.9GPM @ 60psi
 22.4 L/min @ 4.5kg/cm²



VC-3401F

Applicable Code & Standards
 ASME A112.18.1 / CSA B125.1





SEAMAN ENTERPRISE CO.,LTD.

No. 16, Ln. 97, Dongpo Rd.,

Hemei Township, Changhua

County 508016, Taiwan

Tel+886-4-733-2180

Fax+886-4-733-2193

www.seaman.com.tw